



BOARD LEVEL COOLING - Extruded HF

Extruded HF is a series of integral spring board level heat sinks designed to cool TO-220 and TO-220-single gauge devices. Representative image only.

ORDERING INFORMATION

Part Number	Device Type
HF20G	TO-220, TO-220-single gauge
HF35G	TO-220, TO-220-single gauge



HEAT SINK DETAILS

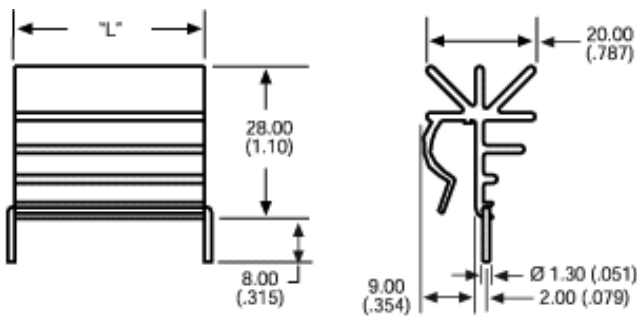
Property	Details
Material	Aluminum
Finish	Black Anodize
Device Attachment Options	Integrated Spring Clip
Thermal Interface Material	-

Property	Details
Heat Sink Width (mm)	20.0
Heat Sink Length (mm)	See "L" Dim Below
Heat Sink Height (mm)	28.0
Heat Sink Mounting Direction	Vertical

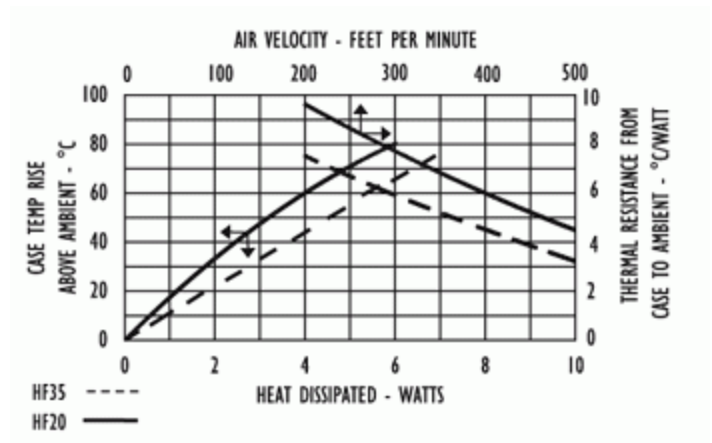
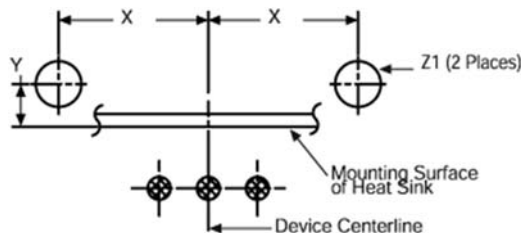
MECHANICAL & PERFORMANCE

Drawing dimensions are shown in mm, (in)

Part Number	"L" Dim	"X" Dim	"Y" Dim	"Z" Dim
HF20G	20.0	10.49 (0.413)	2.01 (0.079)	1.55 (0.061)
HF35G	35.0	17.98 (0.708)	2.01 (0.079)	1.55 (0.061)



Mounting Details:



Mouser Electronics

Authorized Distributor

Click to View Pricing, Inventory, Delivery & Lifecycle Information:

[Aavid:](#)

[HF20G](#) [HF35G](#)