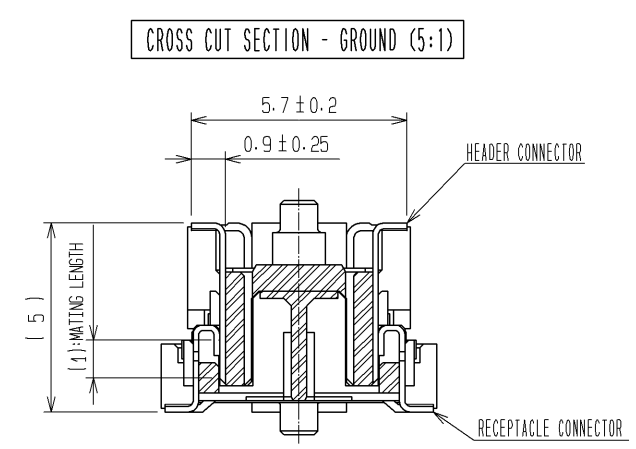
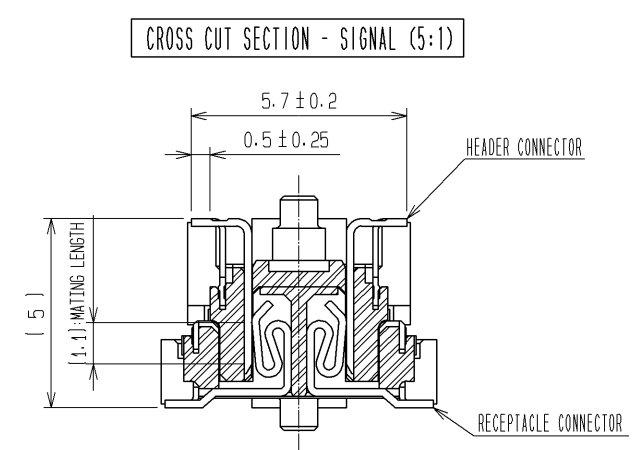
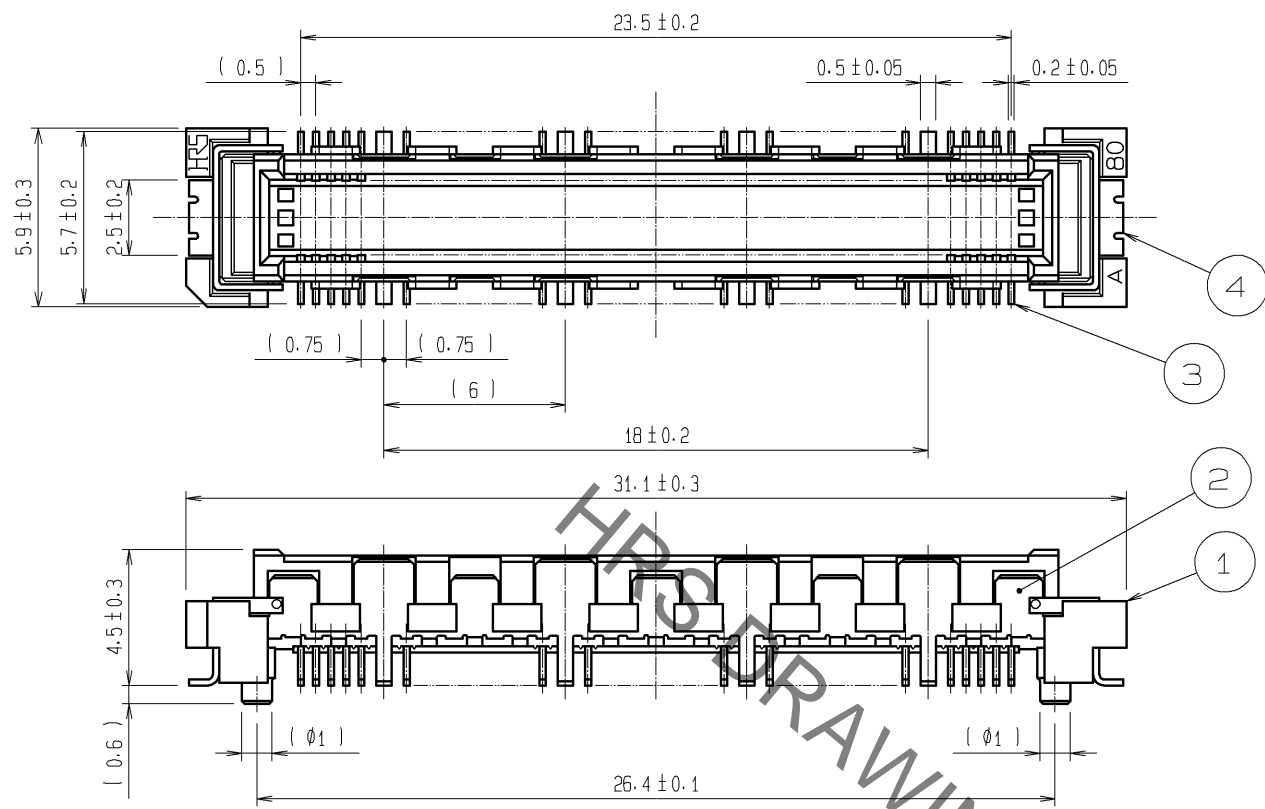
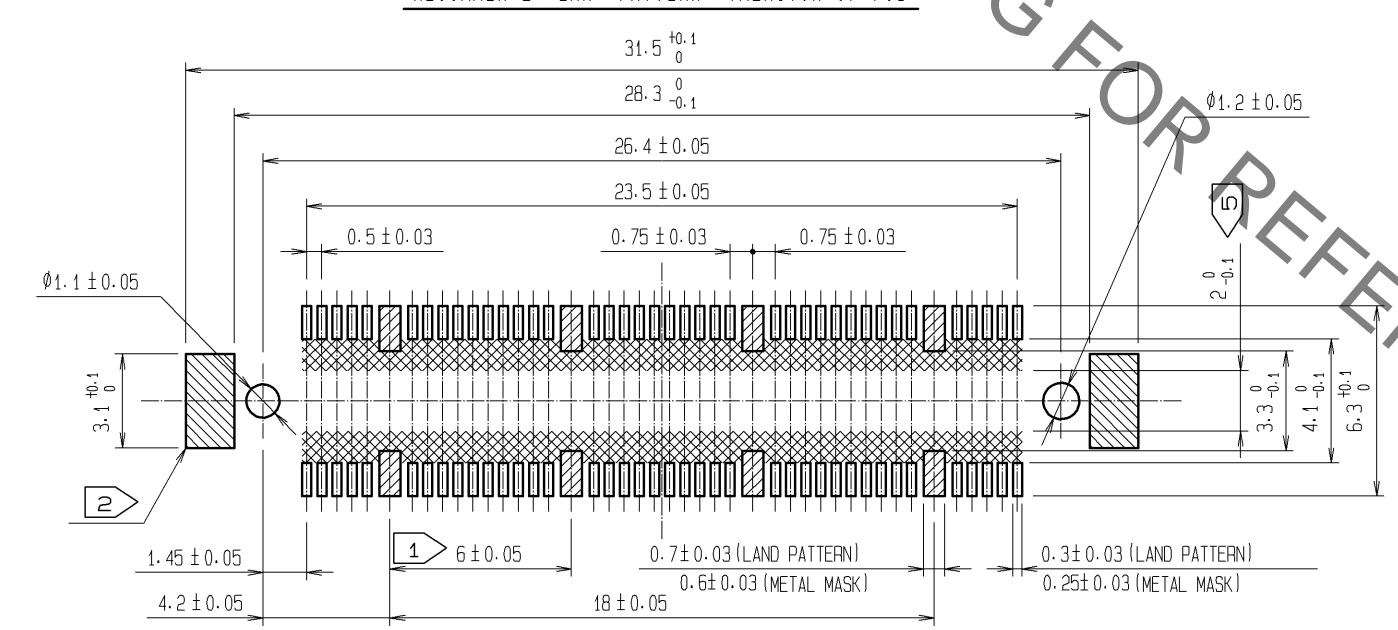


Sep.1.2020 Copyright 2020 HIROSE ELECTRIC CO., LTD. All Rights Reserved.  
In case of consideration for using Automotive equipment / device which demand high reliability, kindly contact our sales window correspondents.



RECOMMENDED LAND PATTERN DIMENSION OF PCB



- NOTES
- 1 8 HATCHED PARTS:GROUND CIRCUIT.
  - 2 2 HATCHED PARTS:GROUND CIRCUIT.
  - 3 SMT LEAD-COPLANARITY:0.1MAX.
  - 4 THIS PRODUCT HAS NO POLARITY TO PATTERN FOR MOUNTING.
  - 5 MAKE SURE WIDTH OF PATTERN IS WITHIN THAT OF LAND. OR LEAD MAY TOUCH PATTERN. (THIS APPLIES TO HATCHED AREA.)
  - 6 EMBOSS CARRIER TAPE PACKAGE IS APPLIED ON THIS PRODUCT. PLEASE REFER TO THE SHEET 2/2 FOR THE DETAILS.
  - 7 THE DIMENSIONS IN PARENTHESES ARE FOR REFERENCE.

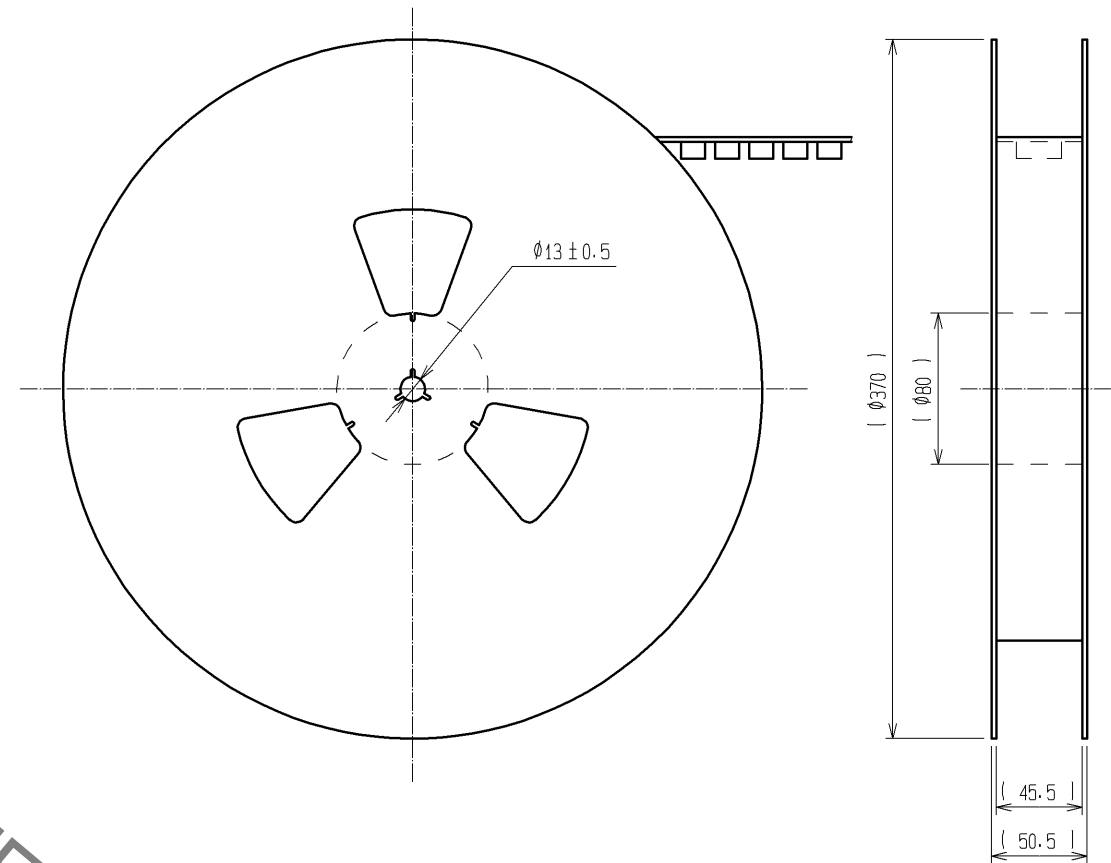
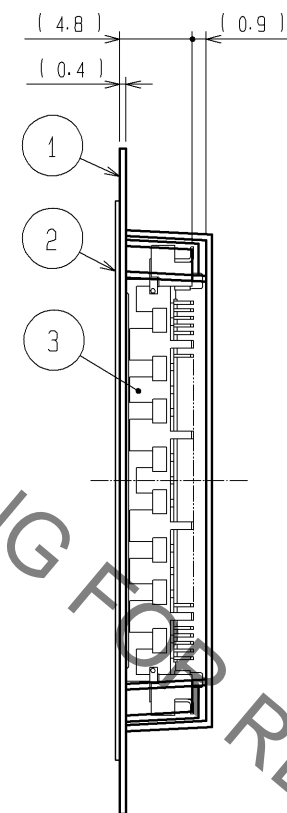
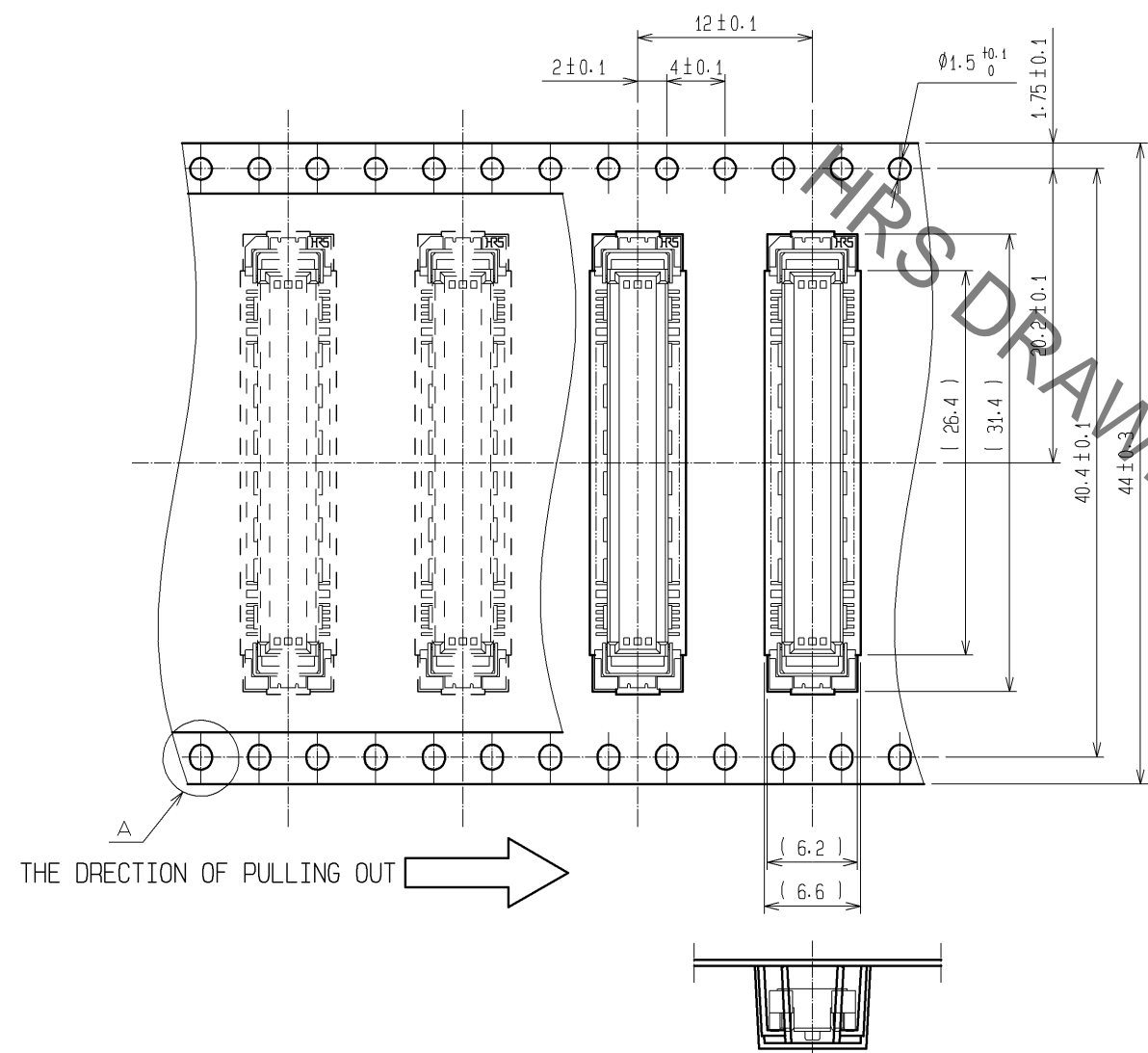
2	PHOSPHOR BRONZE	TIN-PLATING	4	PHOSPHOR BRONZE	TIN-PLATING
1	LCP	BEIGE UL94V-0	3	PHOSPHOR BRONZE	CONTACT AREA:GOLD 0.1μm min. LEAD AREA:TIN 1μm min. UNDER PLATING:NICKEL 1μm min.
NO.	MATERIAL	FINISH . REMARKS	NO.	MATERIAL	FINISH . REMARKS

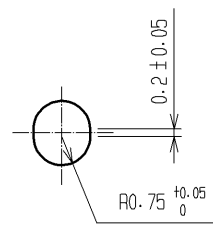
UNITS mm		SCALE 4 : 1	COUNT △	DESCRIPTION OF REVISIONS	DESIGNED	CHECKED	DATE
APPROVED : HS. OKAWA		07.03.22		DRAWING NO.		EDC3-151960-21	
CHECKED : HS. OZAWA		07.03.22		PART NO.		FX10A-80P/8-SV1(91)	
DESIGNED : KT. DOI		07.03.22		CODE NO.		CL570-0101-0-91	
DRAWN : TS. MIYAKI		07.03.19				1/2	

# DRAWING FOR PACKING

REELED DIMENSION(FREE)



A (5:1)



- NOTES
- 1 REEL:1000 CONNECTORS.
  - 2 MINIMUM 10 COMPARTMENTS FROM BOTH REEL ENDS REMAIN EMPTY.
  - 3 THIS PRODUCT HAS NO POLARITY TO TAPE AND REEL PACKAGING.
  - 4 THE DIMENSIONS IN PARENTHESSES ARE FOR REFERENCE.

2	POLYESTER	TOP COVER TAPE				
1	PS	EMBOSS CARRIER TAPE	3		(CONNECTOR)	
NO.	MATERIAL	FINISH . REMARKS	NO.	MATERIAL	FINISH . REMARKS	
UNITS mm		SCALE 2 : 1		COUNT	DESCRIPTION OF REVISIONS	DESIGNED
						CHECKED
						DATE
<b>HRS</b> HIROSE ELECTRIC CO., LTD.		APPROVED : HS. OKAWA	07.03.22	DRAWING NO.	EDC3-151960-21	
		CHECED : HS. OZAWA	07.03.22	PART NO.	FX10A-80P/8-SV1(91)	
		DESIGNED : KT. DOI	07.03.22	CODE NO.	CL570-0101-0-91	
		DRAWN : TS. MIYAKI	07.03.19		2/2	

Sep.1.2020 Copyright 2020 HIROSE ELECTRIC CO., LTD. All Rights Reserved. In case of consideration for using Automotive equipment / device which demand high reliability, kindly contact our sales window correspondents.