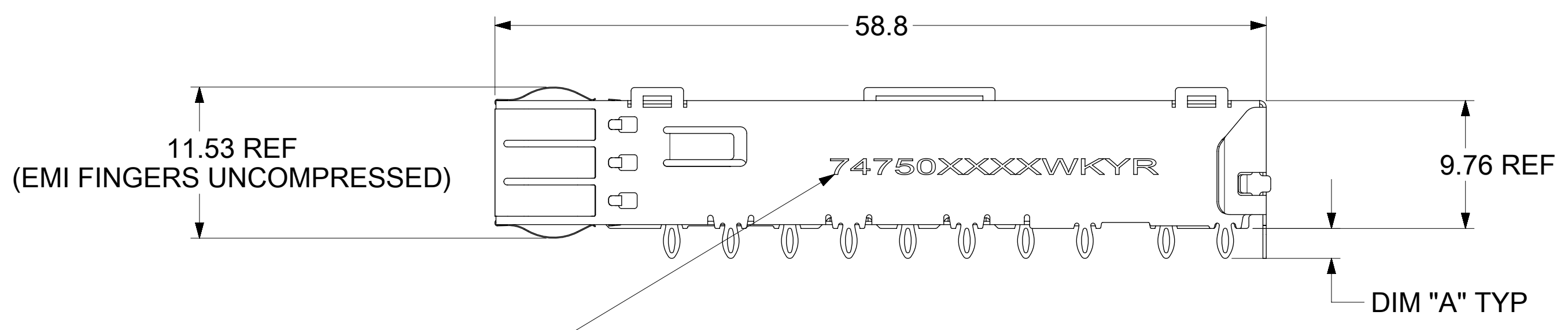
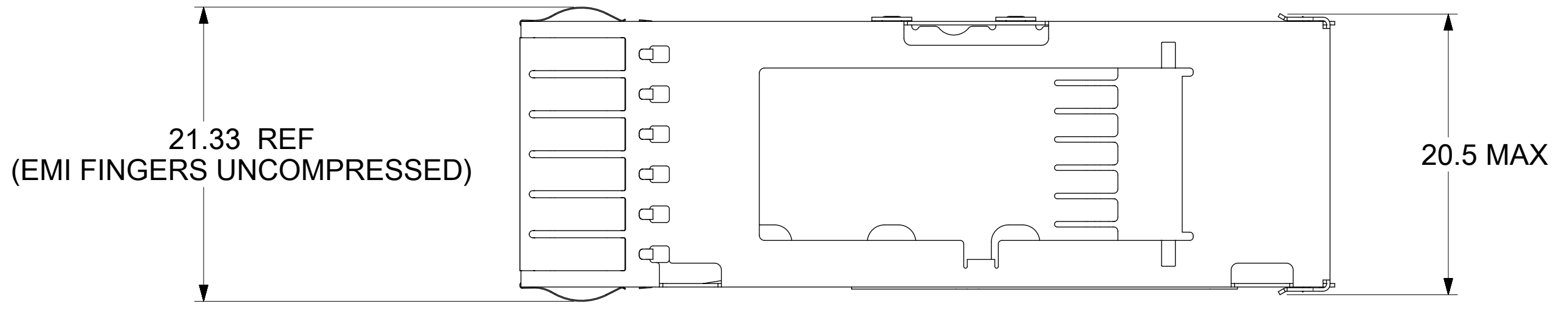


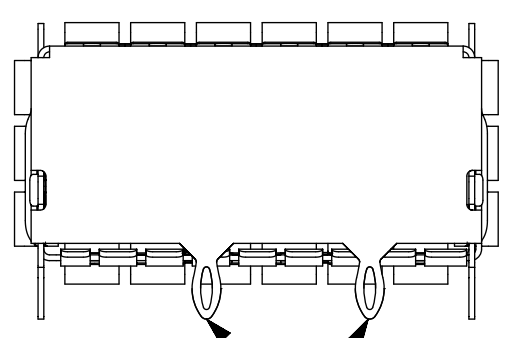
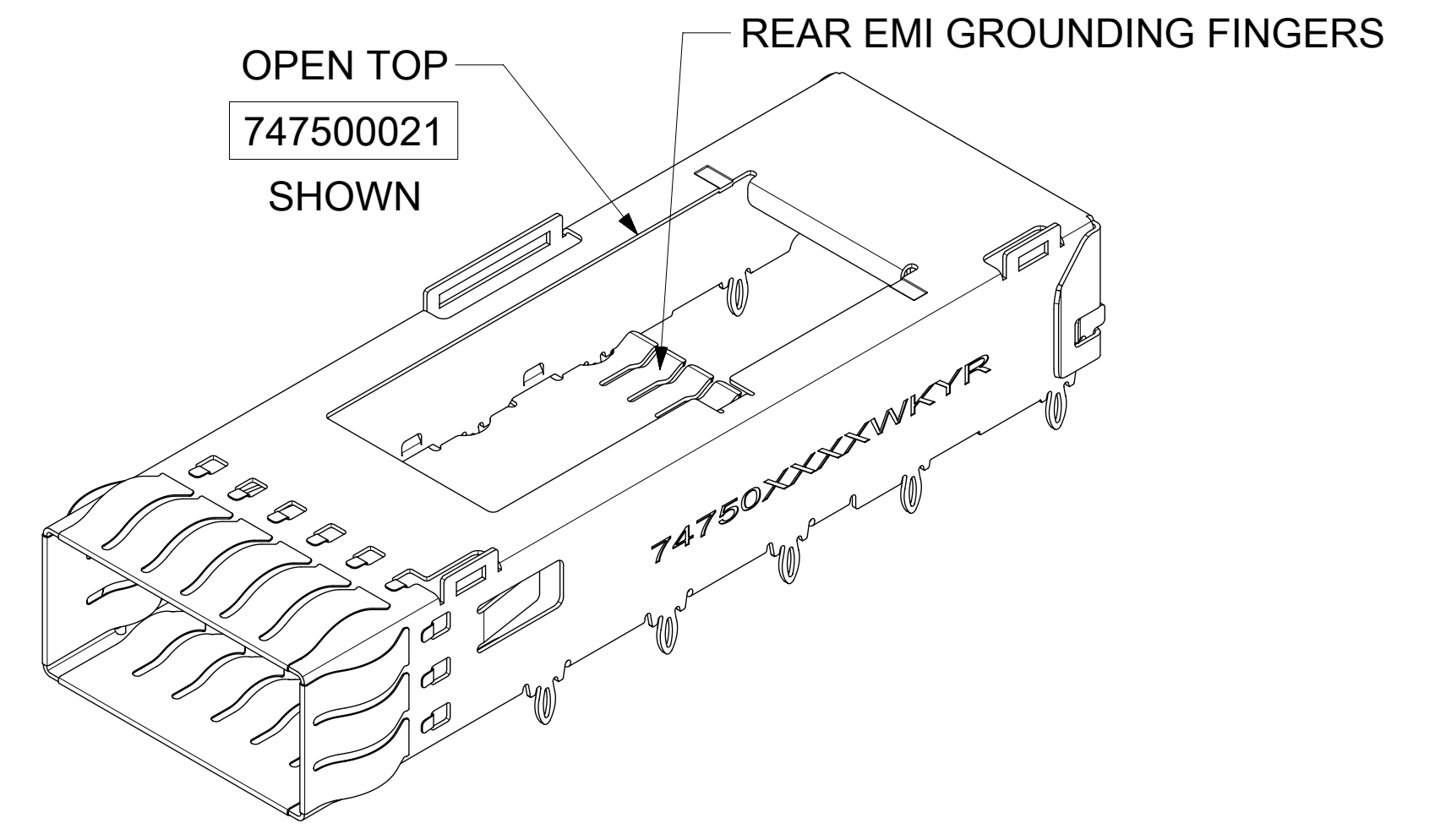
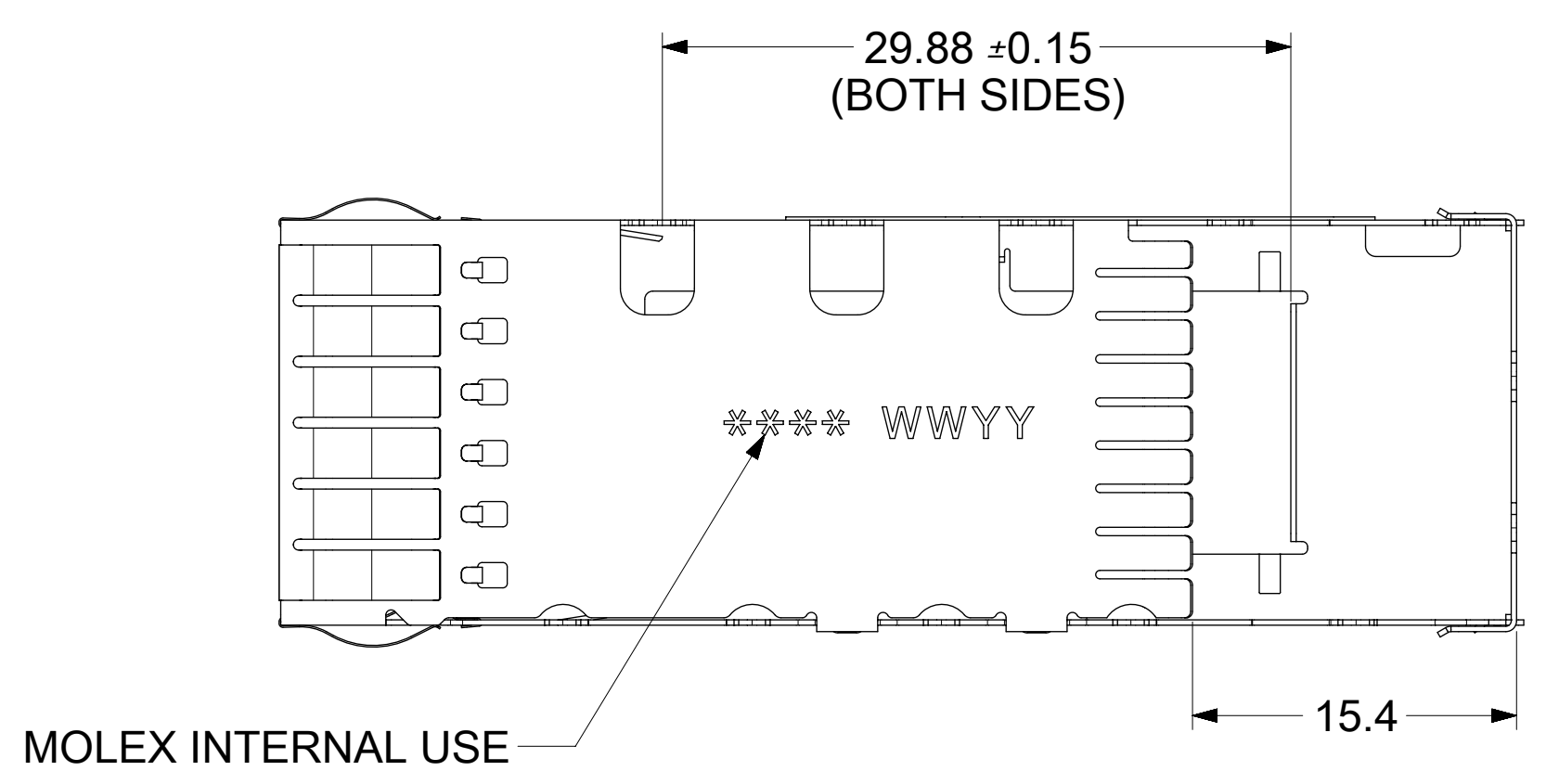
BASE CAGE DETAILS

(APPLIES TO ALL CAGES IN THIS DRAWING)

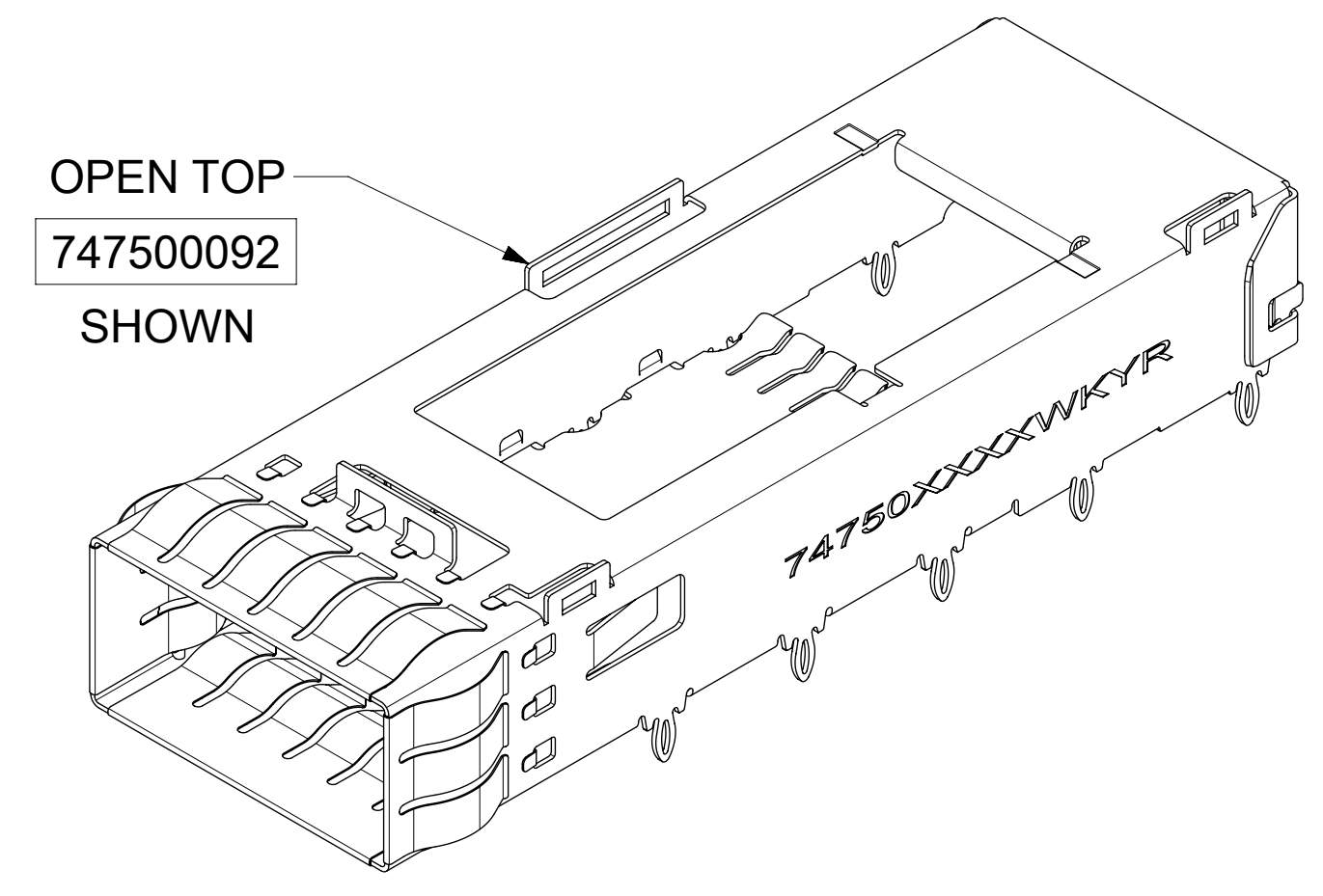
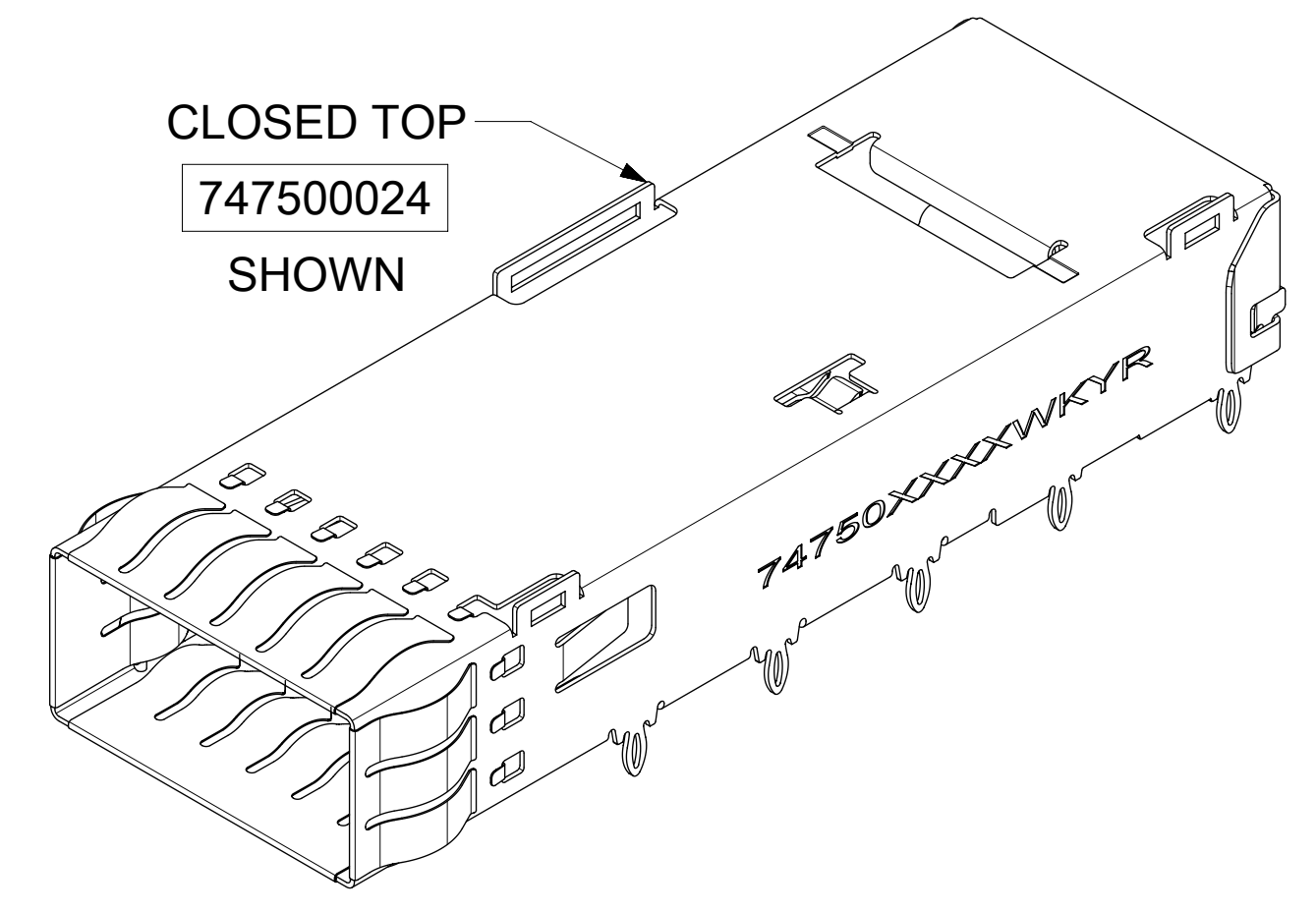


PART NO. AND WEEK/YEAR DATE CODE TO BE PRINTED ON SIDE OF COMPLETED CAGE ASSEMBLY AS SHOWN.


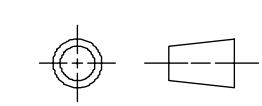
WEEK/YEAR DATE CODE TABLE	
WK	01 THRU 52 EXAMPLE: 01 = FIRST WEEK OF YEAR 52 = LAST WEEK OF YEAR
YR	17, 18, 19 ETC. EXAMPLE: YEAR 2017 = 17



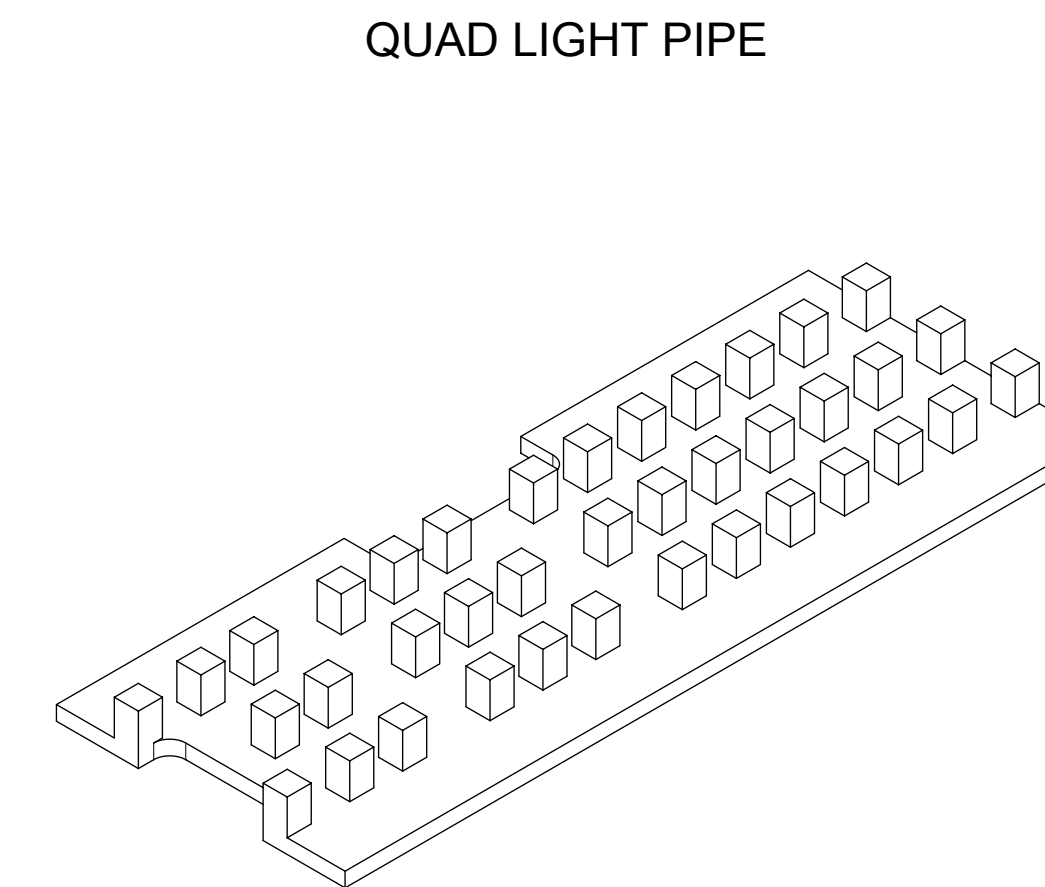
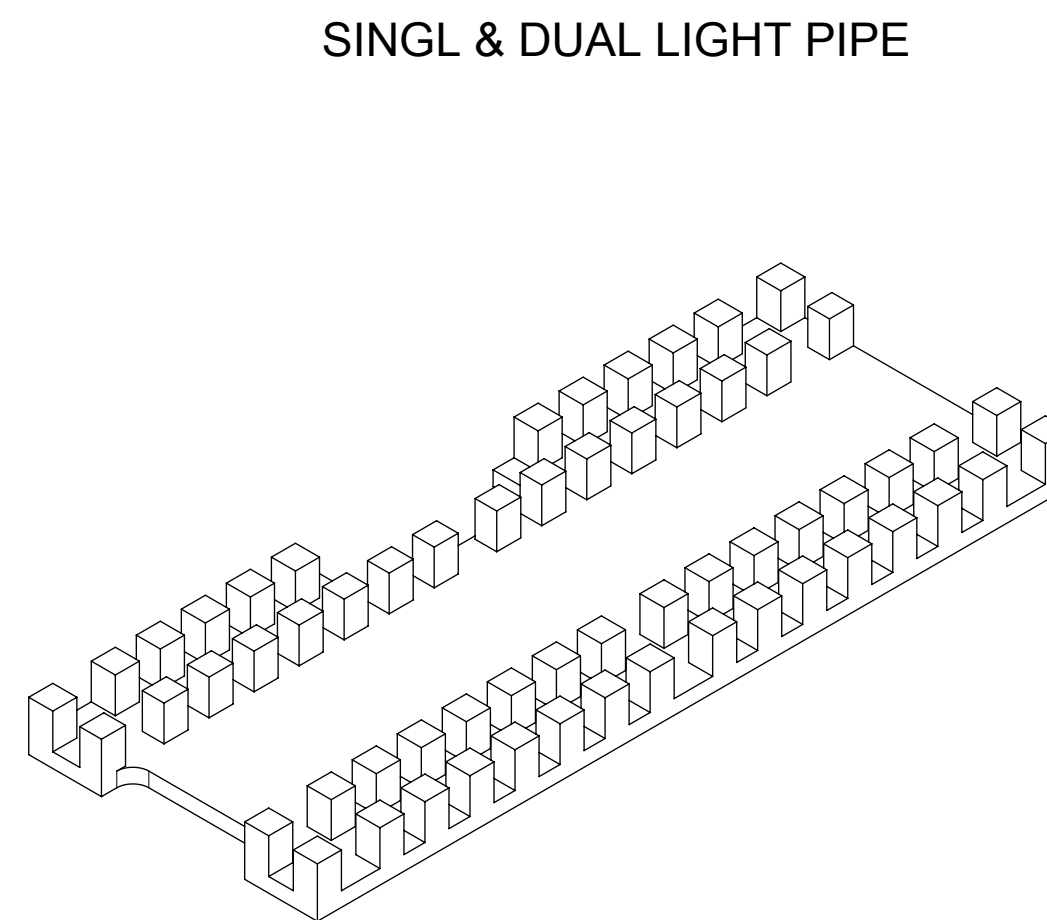
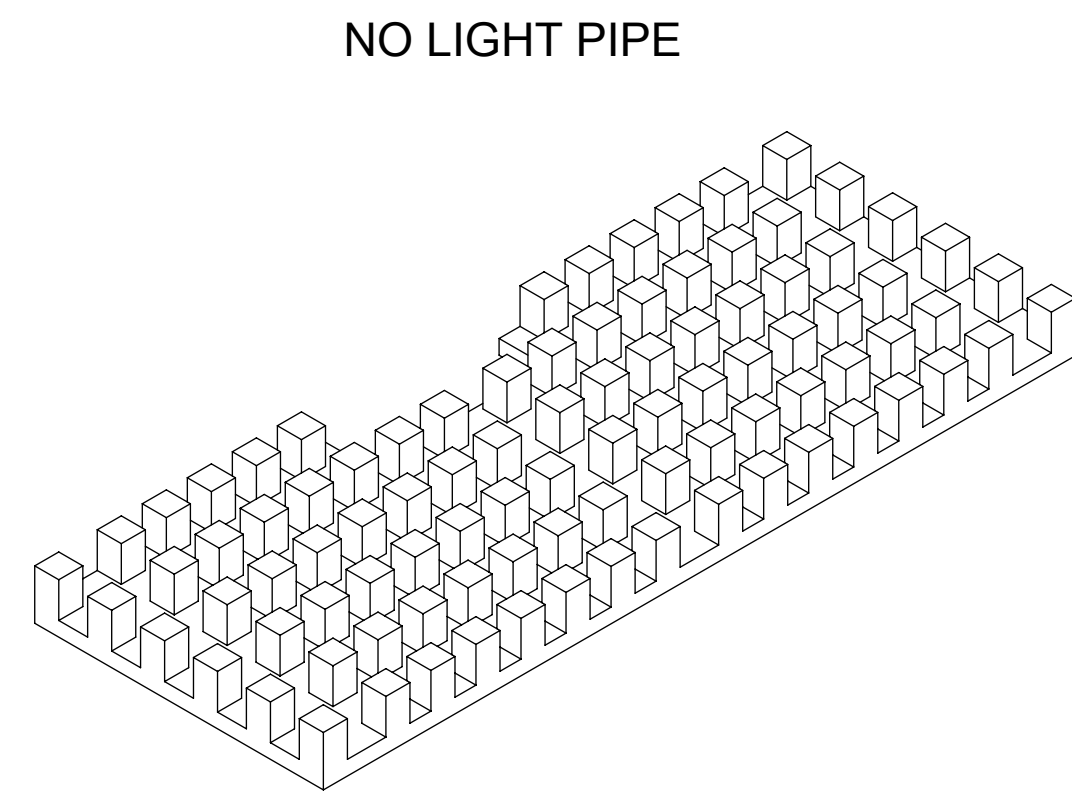
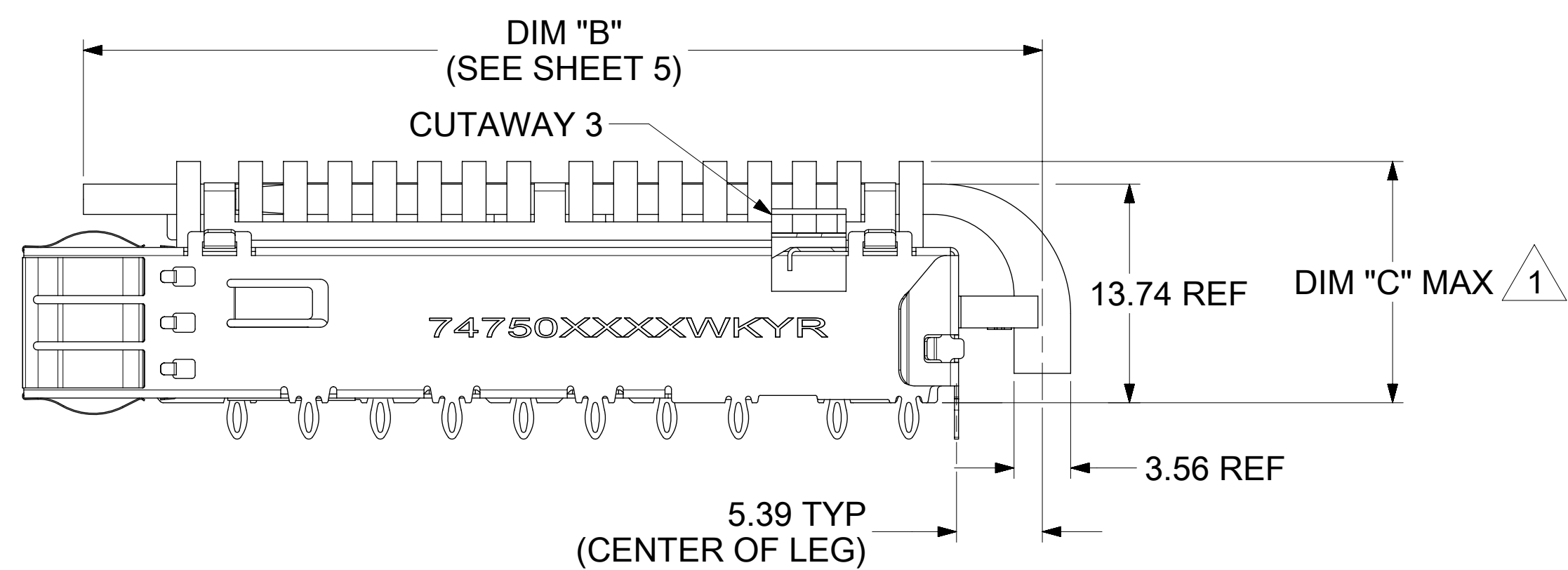
REAR LEGS ARE OPTIONAL
(SEE CHART SHEET 2)



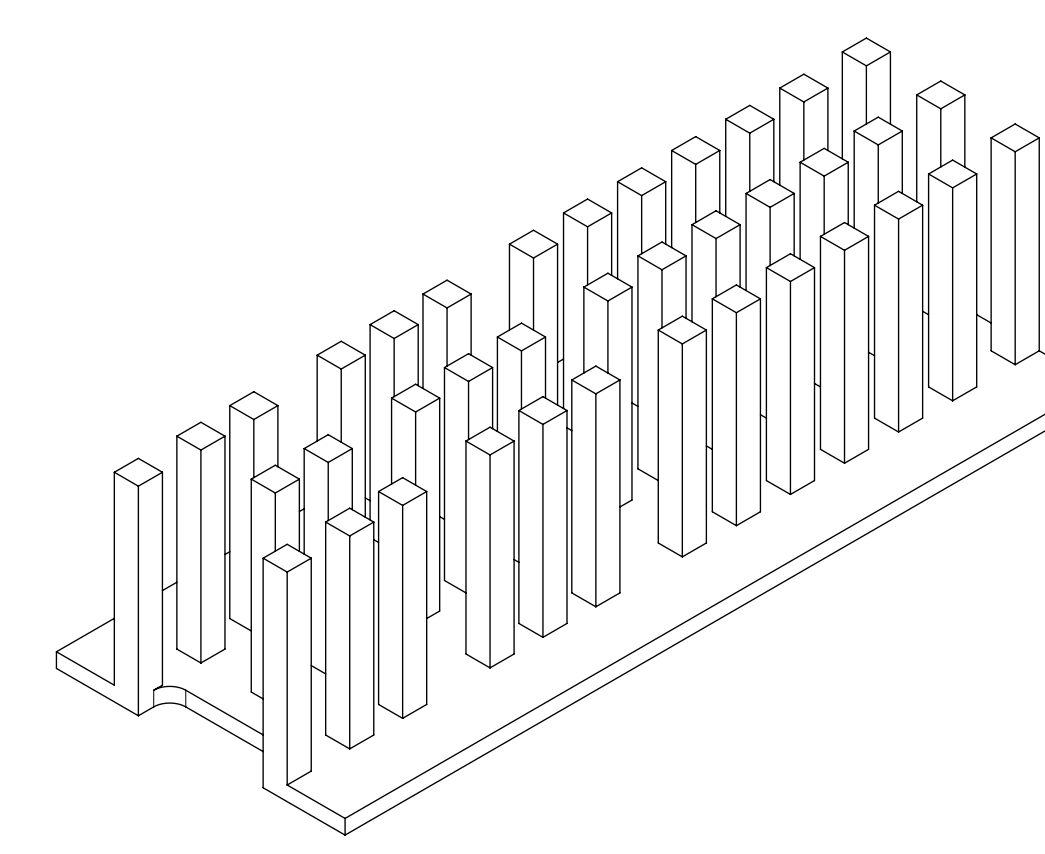
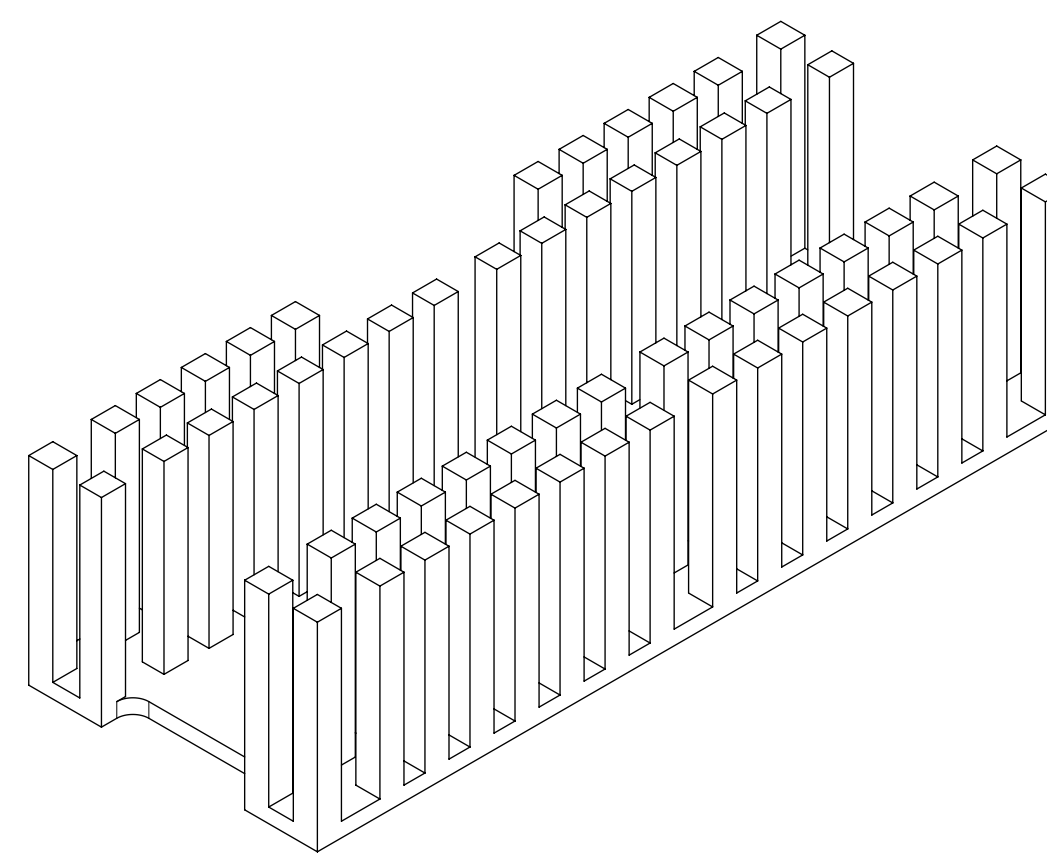
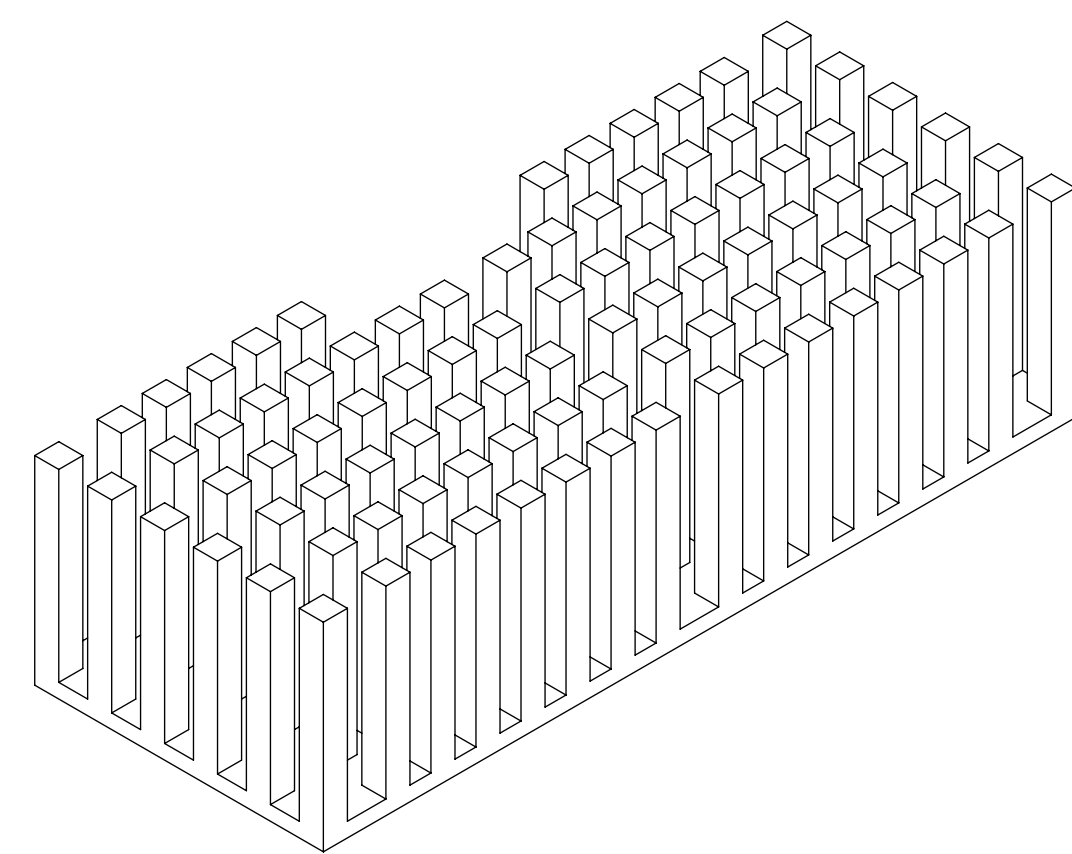
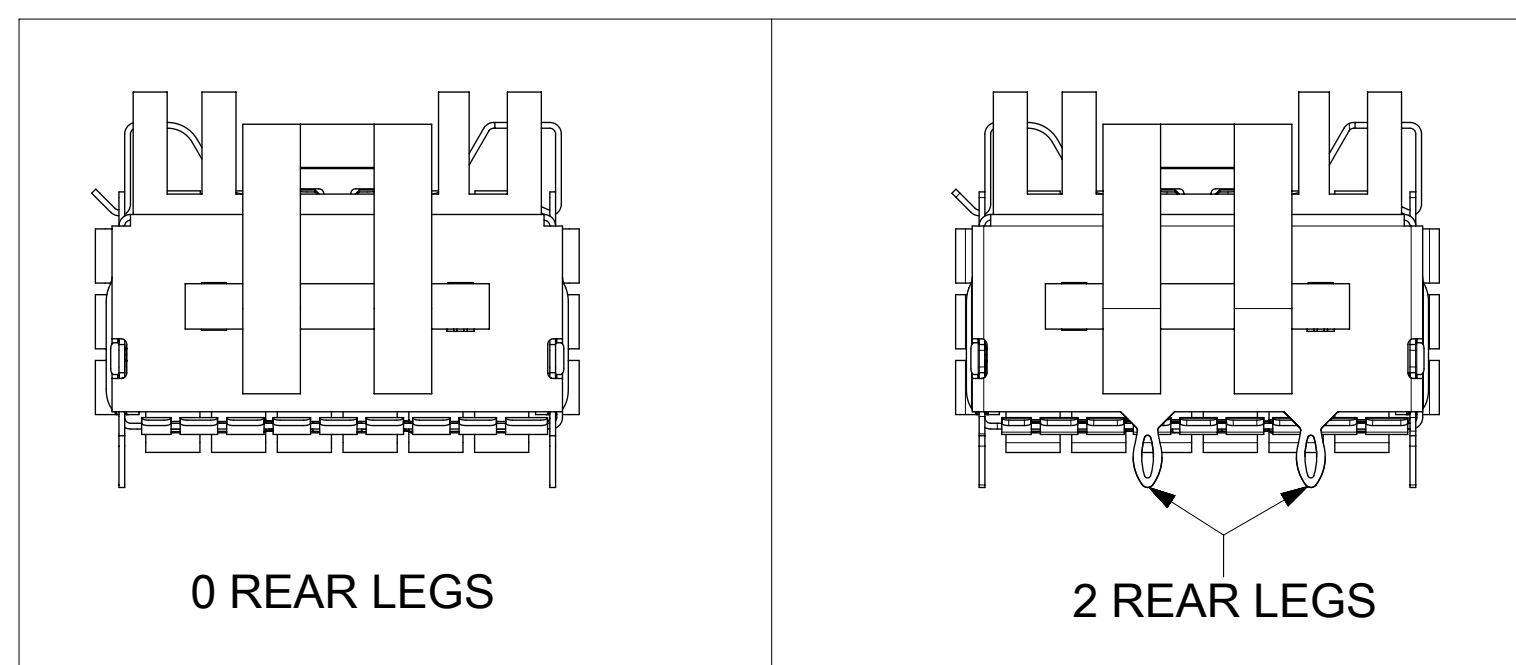
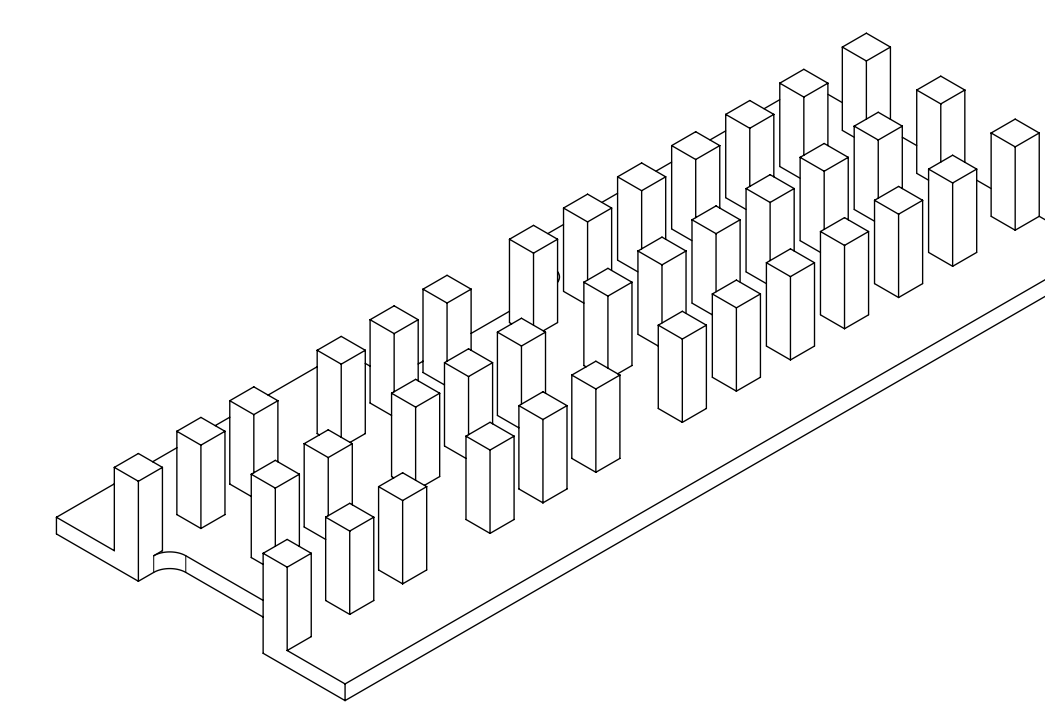
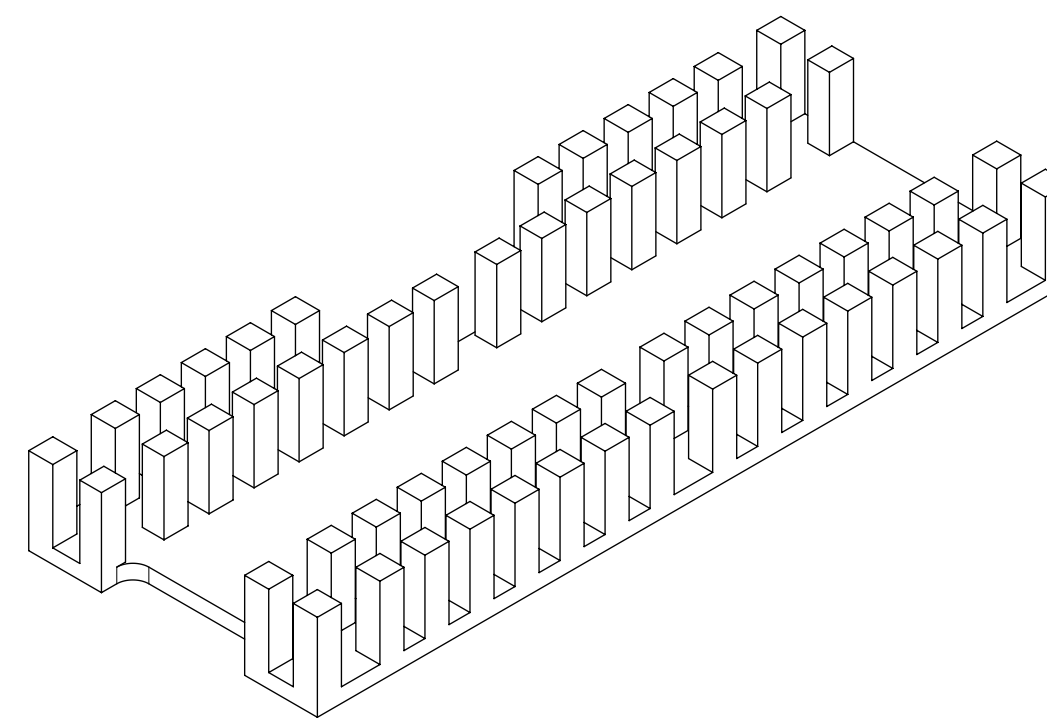
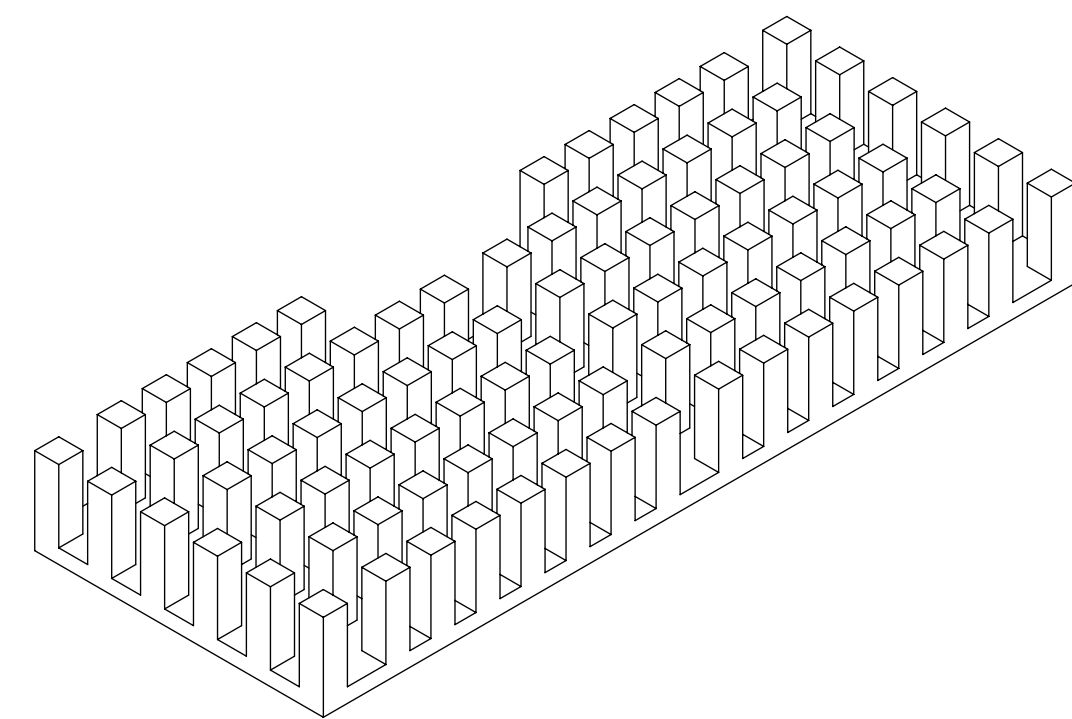
- NOTES:**
1. QSFP+ ASSEMBLIES ALSO AVAILABLE WITH 1X2 (74767 SERIES), 1X3 (74768 SERIES), 1X4 (74769 SERIES) AND 1X6 (74771 SERIES) CONFIGURATIONS.
 2. MATERIAL:
LIGHT PIPE/HEATSINK CLIP: STAINLESS STEEL
LIGHT PIPES: POLYCARBONATE (UL 94-V-0 RATED)
HEAT SINKS: BLACK ANNOXIDIZED ALUMINUM
CAGE: COPPER ALLOY, NICKEL PLATED
 3. NO RoHS EXEMPTIONS
 4. CUSTOM HEATSINKS AVAILABLE UPON REQUEST

THIS DRAWING CONTAINS INFORMATION THAT IS PROPRIETARY TO MOLEX ELECTRONIC TECHNOLOGIES, LLC AND SHOULD NOT BE USED WITHOUT WRITTEN PERMISSION											
QUALITY SYMBOLS	SEE REVISION TABLE EC NO: 122627 DRWN: MKEMPEGOWDA CHKD: ELIU08 REV APPR: RCHEN08	GENERAL TOLERANCES (UNLESS SPECIFIED)		DIMENSION UNITS	SCALE	 QSFP+ 1X1 CAGE ASSEMBLY WITH SPRING FINGER TYPE PRODUCT CUSTOMER DRAWING					
		ANGULAR TOL ± 1.0 °		mm							
▽ = 0	2017/09/27 2017/09/28 2017/09/28	4 PLACES ±		DRWN BY	DATE	SERIES: 74750 MATERIAL NUMBER: SEE SHEET 5, 6 & 7 CUSTOMER: GENERAL MARKET					
▽ = 0		3 PLACES ±		CHKD BY	DATE						
▽ = 0		2 PLACES ± 0.13		APPR BY	DATE						
▽ = 0		1 PLACE ± 0.25		RCHEN08	2017/06/05						
▽ = 0		0 PLACES ±		DRAWING SIZE	THIRD ANGLE PROJECTION						
▽ = 0		DRAFT WHERE APPLICABLE MUST REMAIN WITHIN DIMENSIONS		D							
▽ = 0							DOCUMENT NUMBER: 747500021 DOC TYPE: PSD DOC PART: ASY SHEET NUMBER: 1 OF 12				

CAGE ASSEMBLY OPTIONS

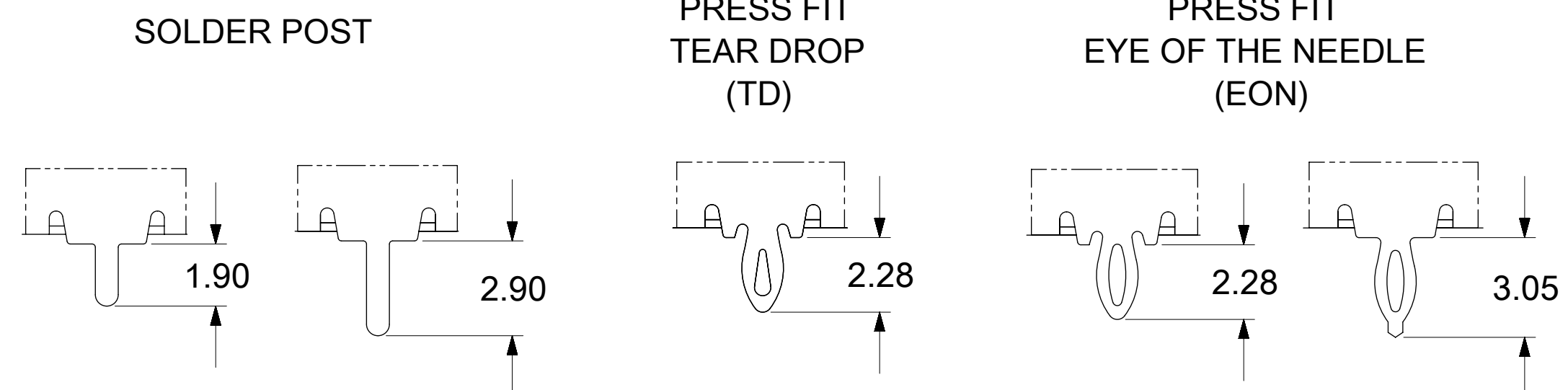


REAR LEG OPTIONS



LEG OPTIONS

HEAT SINK HEIGHT OPTIONS



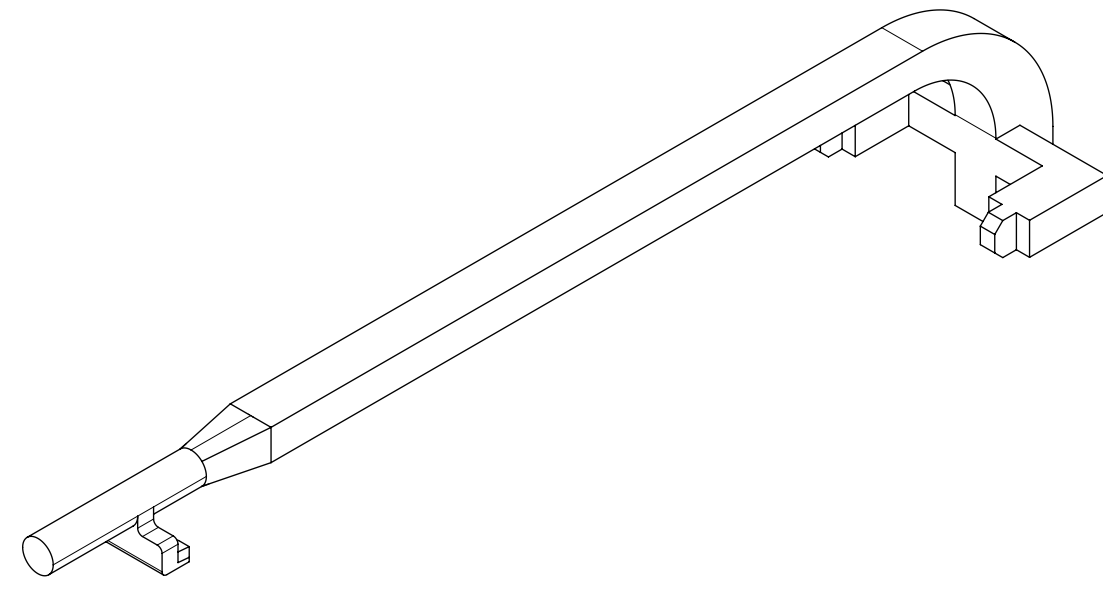
OVERALL HEAT SINK HEIGHT	DIM C
PCI	13.7
SAN	16.0
NET	23.0

QUALITY SYMBOLS ▽ = 0 ▽ = 0 ▽ = 0 ▽ = 0 ▽ = 0 ▽ = 0 ▽ = 0 ▽ = 0 ▽ = 0		THIS DRAWING CONTAINS INFORMATION THAT IS PROPRIETARY TO MOLEX ELECTRONIC TECHNOLOGIES, LLC AND SHOULD NOT BE USED WITHOUT WRITTEN PERMISSION		DIMENSION UNITS mm		SCALE			
SEE REVISION TABLE EC NO: 122627 DRWN: MKEMPEGOWDA CHKD: ELIU08 REV APPR: RCHEN08		GENERAL TOLERANCES (UNLESS SPECIFIED) ANGULAR TOL ± 1.0 ° 4 PLACES ± 3 PLACES ± 2 PLACES ± 0.13 1 PLACE ± 0.25 0 PLACES ± DRAFT WHERE APPLICABLE MUST REMAIN WITHIN DIMENSIONS		DRWN BY: SJKG DATE: 2016/06/23 CHKD BY: DSUN15 DATE: 2017/06/02 APPR BY: RCHEN08 DATE: 2017/06/05		PRODUCT CUSTOMER DRAWING			
RELEASE STATUS: P1 RELEASE DATE: 28.09.2017 09:26:03		DIMENSION UNITS: D THIRD ANGLE PROJECTION		DOCUMENT NUMBER: 747500021 DOC TYPE: PSD DOC PART: ASY		SHEET NUMBER: 2 OF 12			

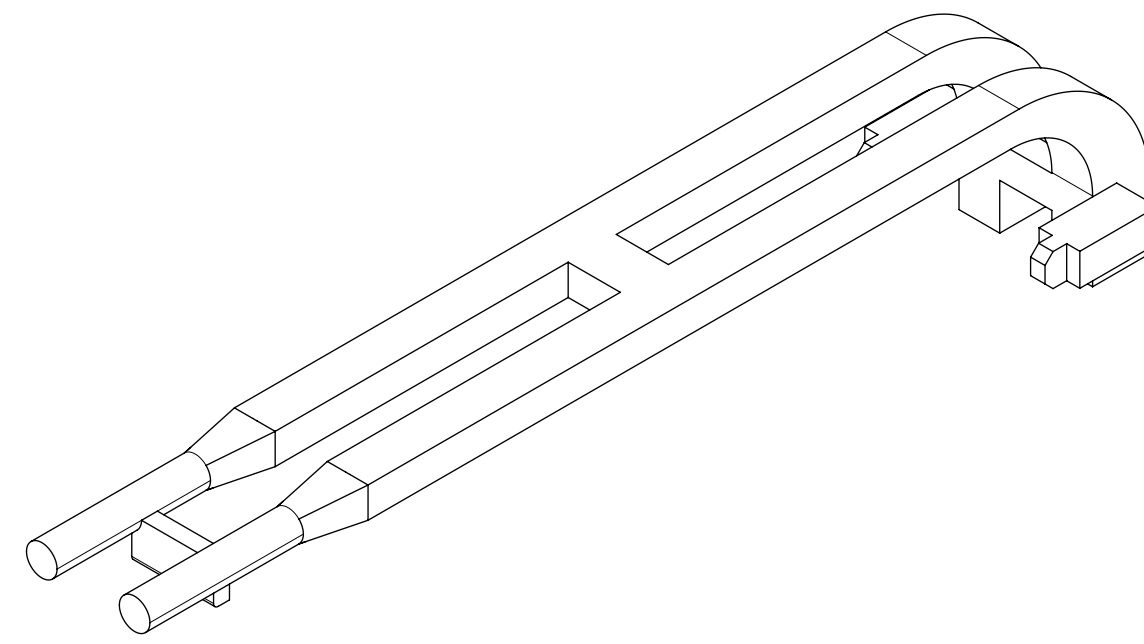
1 HEIGHT OF HEATSINK WITH MODULE INSERTED. DIMENSION MAY BE LESS DUE TO MODULE AND HEATSINK VARIATIONS.

CAGE ASSEMBLY OPTIONS (CONT.)

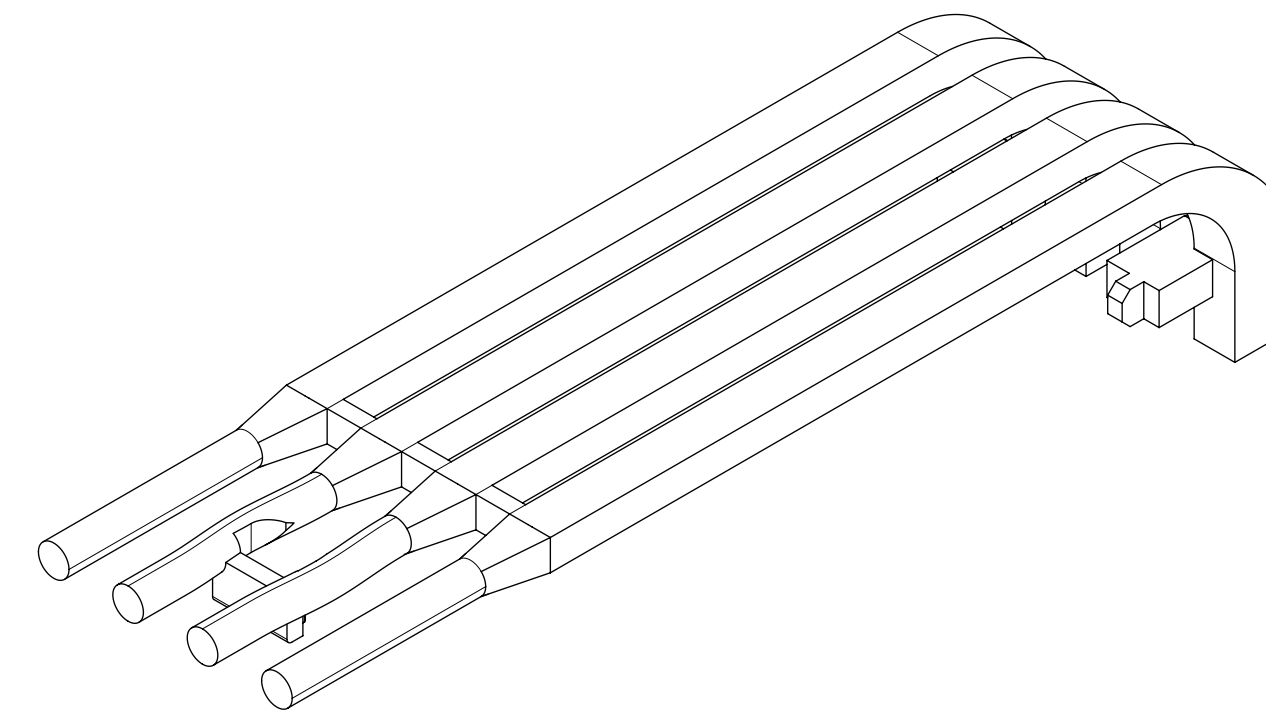
SINGLE LIGHT PIPE



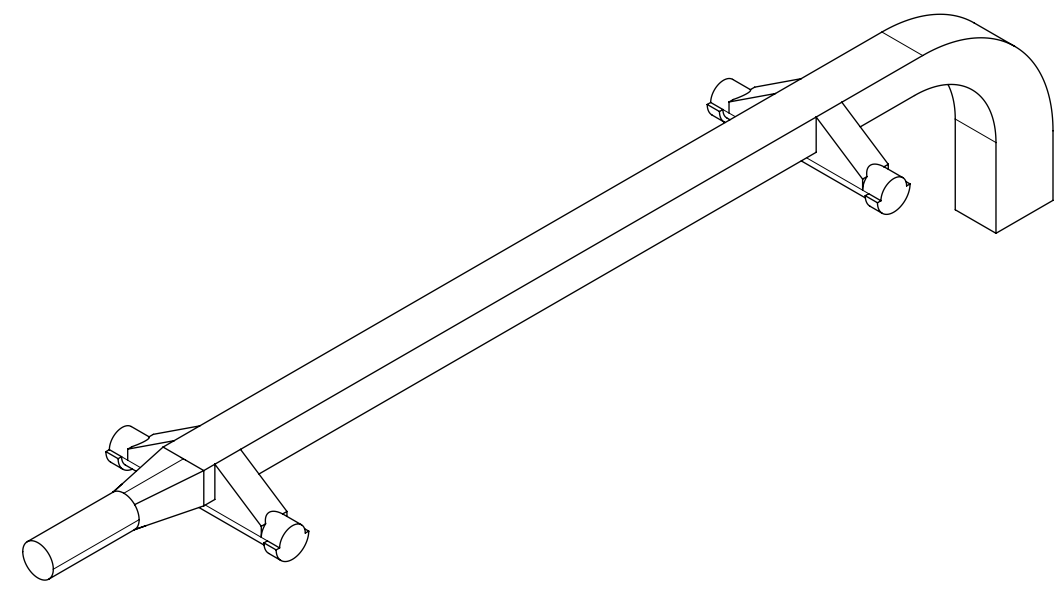
DUAL LIGHT PIPE



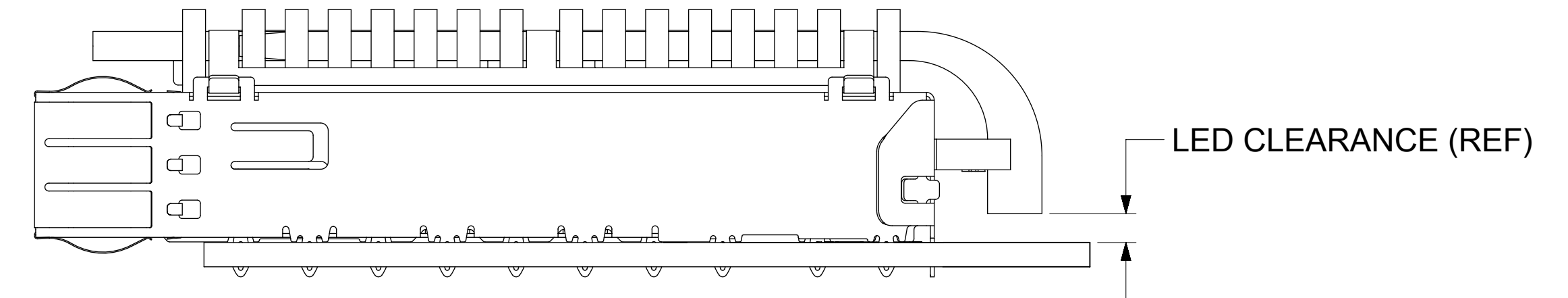
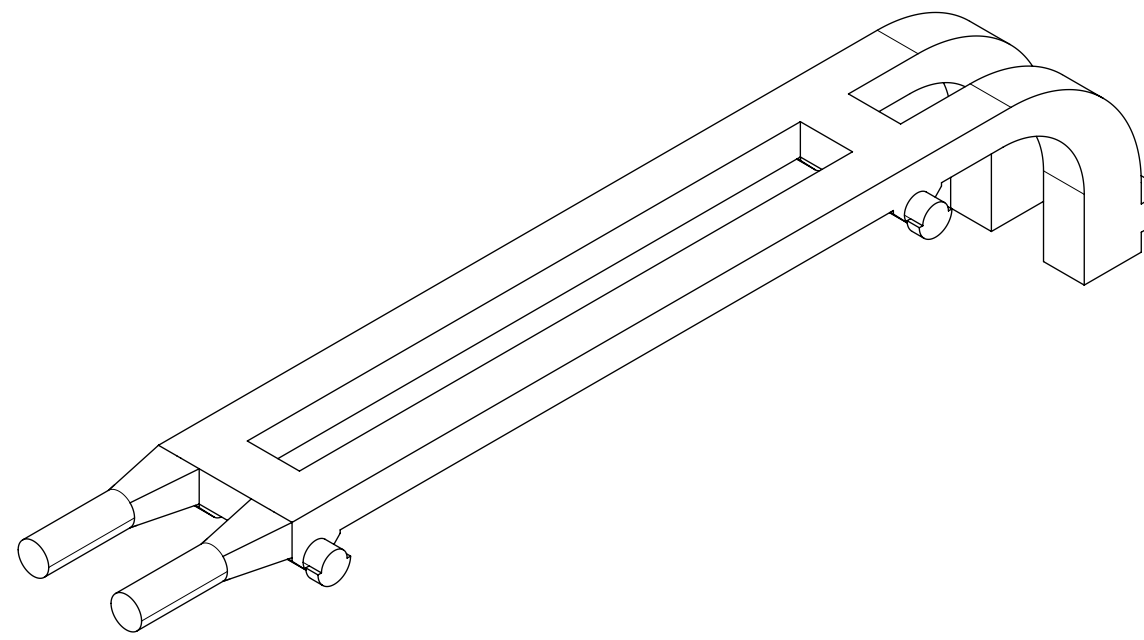
QUAD LIGHT PIPE



SINGLE LIGHT PIPE



DUAL LIGHT PIPE



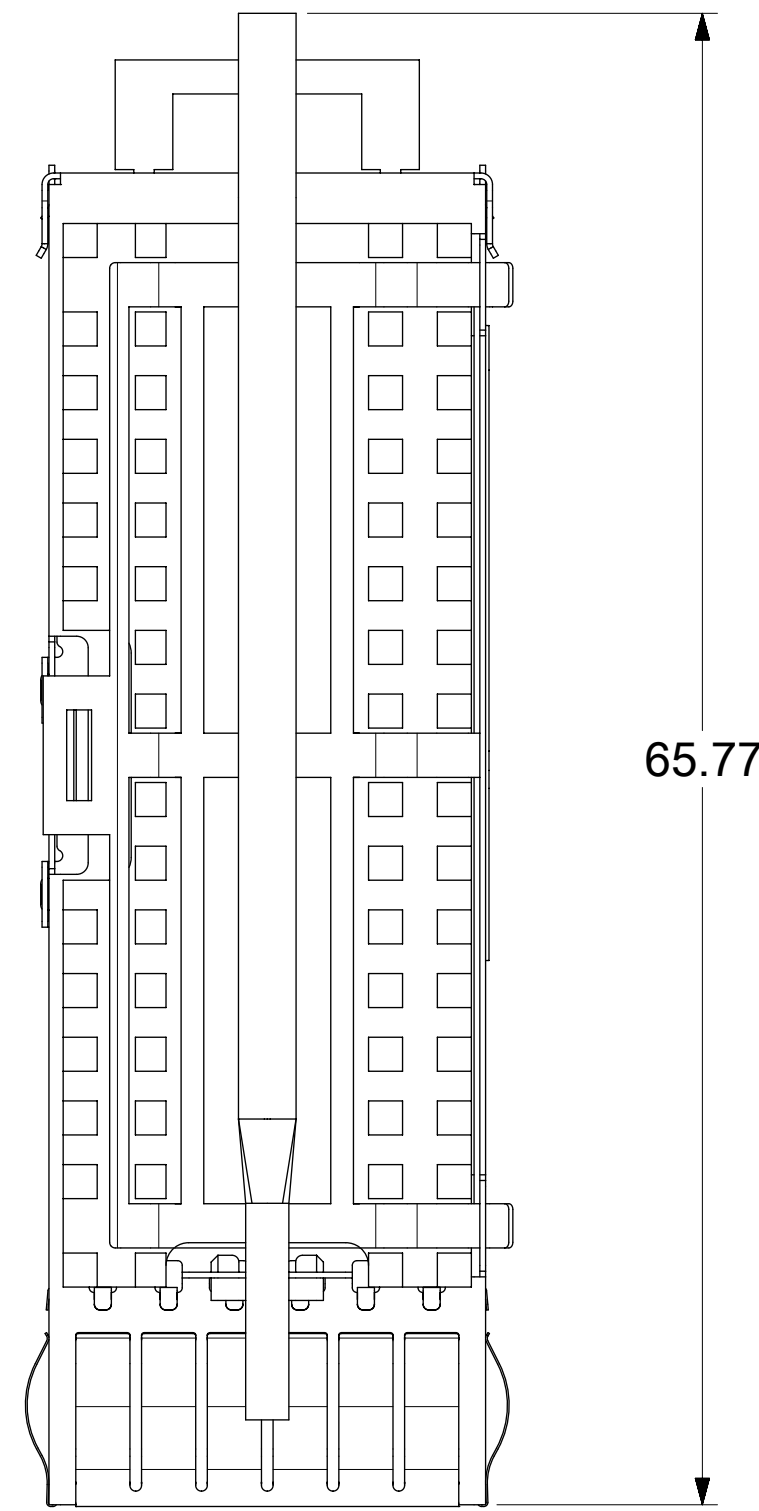
LIGHT PIPE	LED CLEARANCE (REF)
SINGLE	1.86
SINGLE	1.86
DUAL	1.86
DUAL	1.86
QUAD	1.86

QUALITY SYMBOLS □ = 0 ▽ = 0 ▽ = 0 ▽ = 0 ▽ = 0 ▽ = 0 ▽ = 0 ▽ = 0 ▽ = 0 ▽ = 0 ▽ = 0 ▽ = 0	THIS DRAWING CONTAINS INFORMATION THAT IS PROPRIETARY TO MOLEX ELECTRONIC TECHNOLOGIES, LLC AND SHOULD NOT BE USED WITHOUT WRITTEN PERMISSION												
	EC NO: 122627	DRWN: MKEMPEGOWDA	CHKD: ELIU08	REV APPR: RCHEN08	2017/09/27	2017/09/28	2017/09/28	GENERAL TOLERANCES (UNLESS SPECIFIED)	DIMENSION UNITS	SCALE			
	SEE REVISION TABLE				ANGULAR TOL ± 1.0 °			mm		DRWN BY		DATE	
					4 PLACES ±	SJKG			2016/06/23				
					3 PLACES ±	DSUN15			2017/06/02		QSFP+ 1X1 CAGE ASSEMBLY WITH SPRING FINGER TYPE PRODUCT CUSTOMER DRAWING		
				2 PLACES ± 0.13	RCHEN08			2017/06/05					
				1 PLACE ± 0.25	DRAFT WHERE APPLICABLE MUST REMAIN WITHIN DIMENSIONS			DRAWING SIZE	THIRD ANGLE PROJECTION	SERIES	MATERIAL NUMBER	CUSTOMER	
				0 PLACES ±	D			74750		747500021	PSD	ASSEMBLY	GENERAL MARKET
									DOCUMENT NUMBER		DOC PART SHEET NUMBER		
									747500021		3 OF 12		

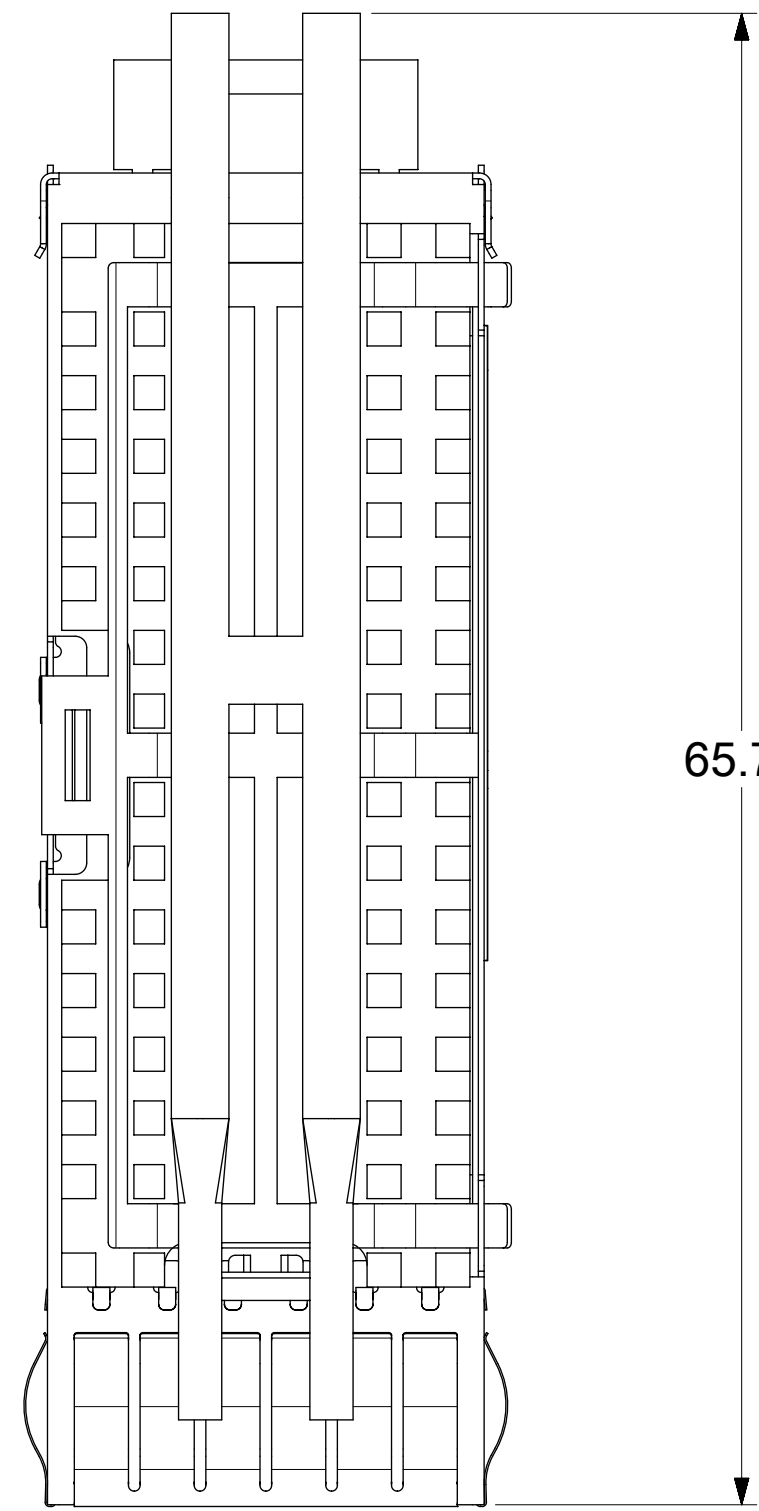
NOTE:
1) FOR HEATSINK OPTIONS SEE SHEET 2.

RELEASE STATUS	P1	RELEASE DATE	28.09.2017	09:26:03
----------------	----	--------------	------------	----------

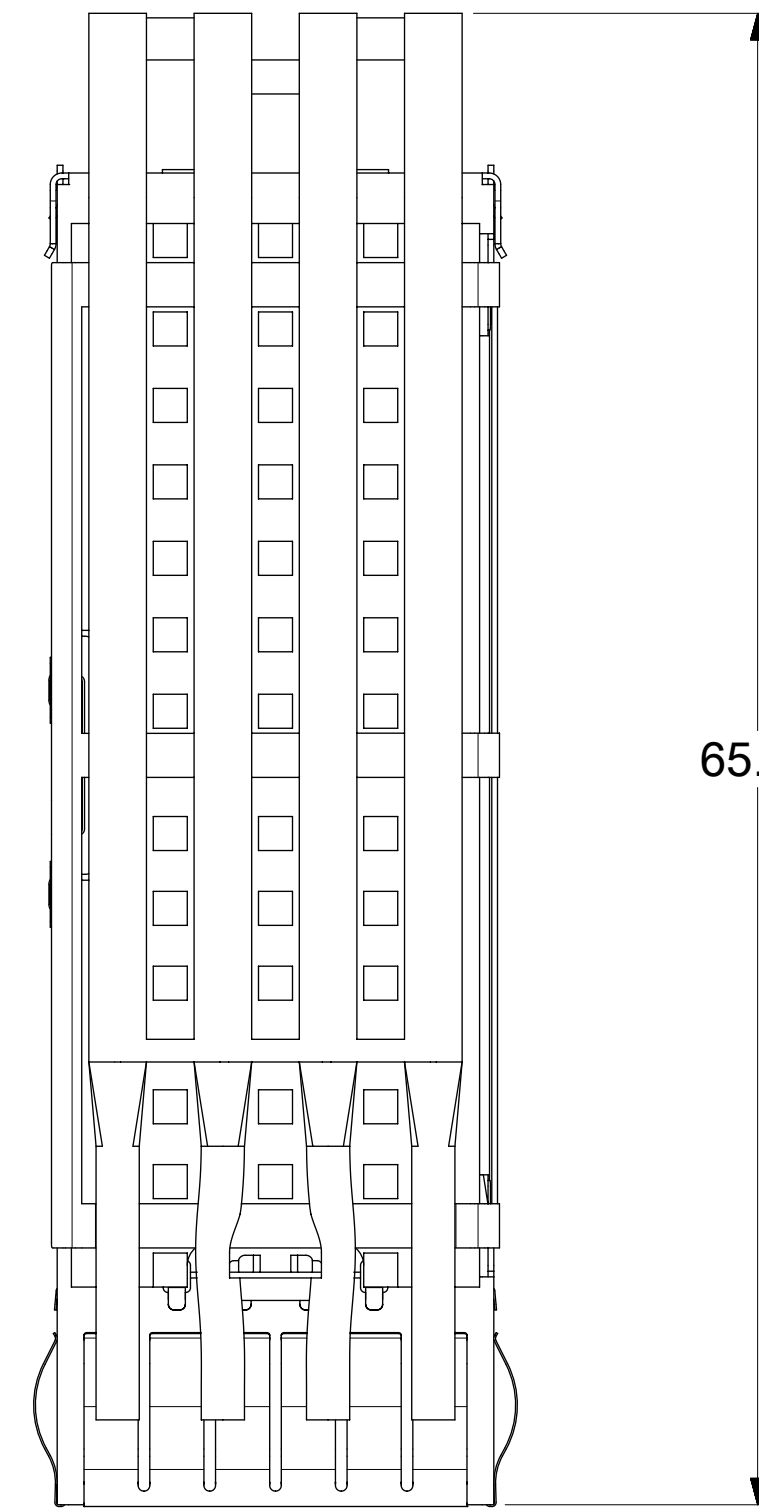
CAGE ASSEMBLY OPTIONS (CONT.)



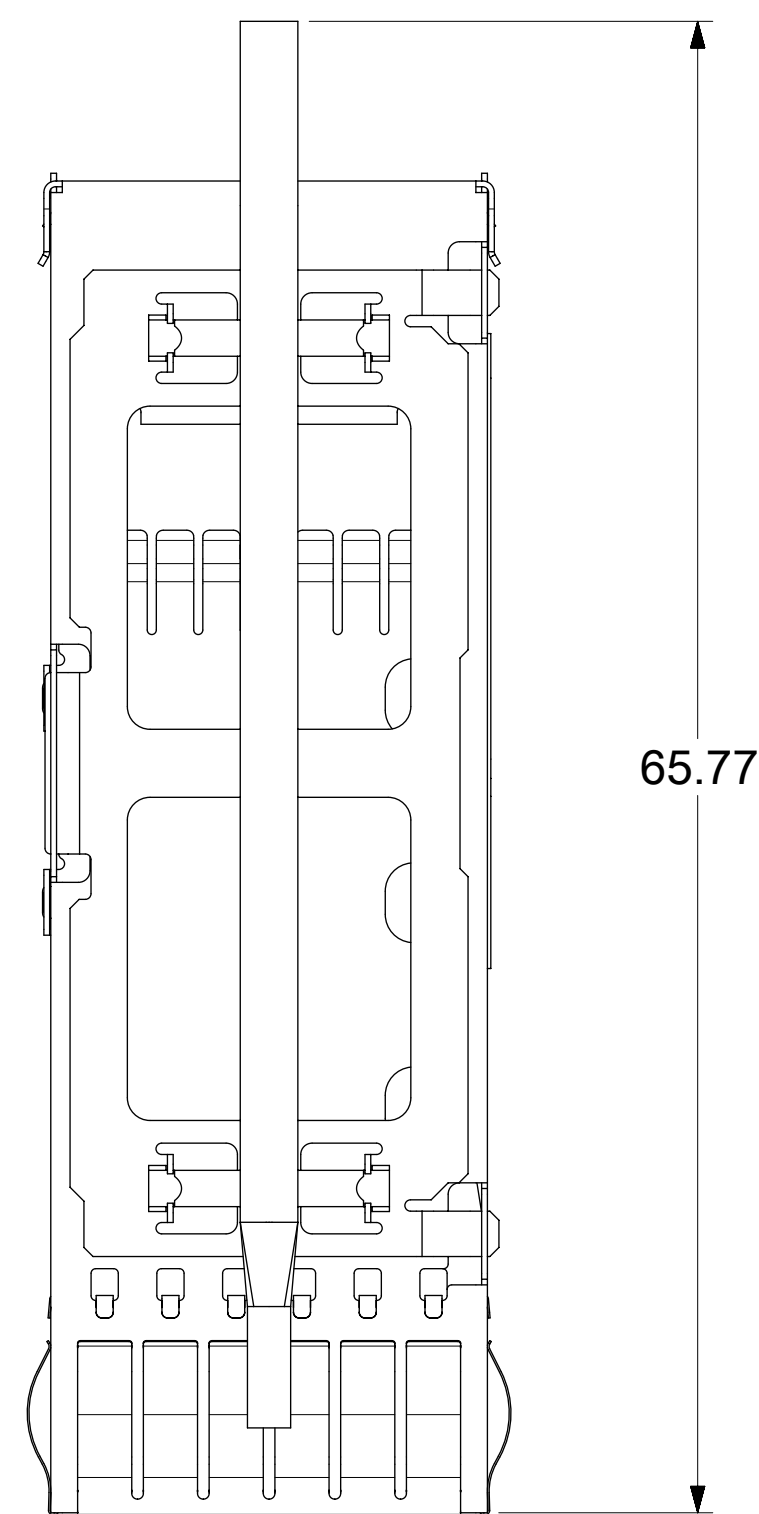
65.77



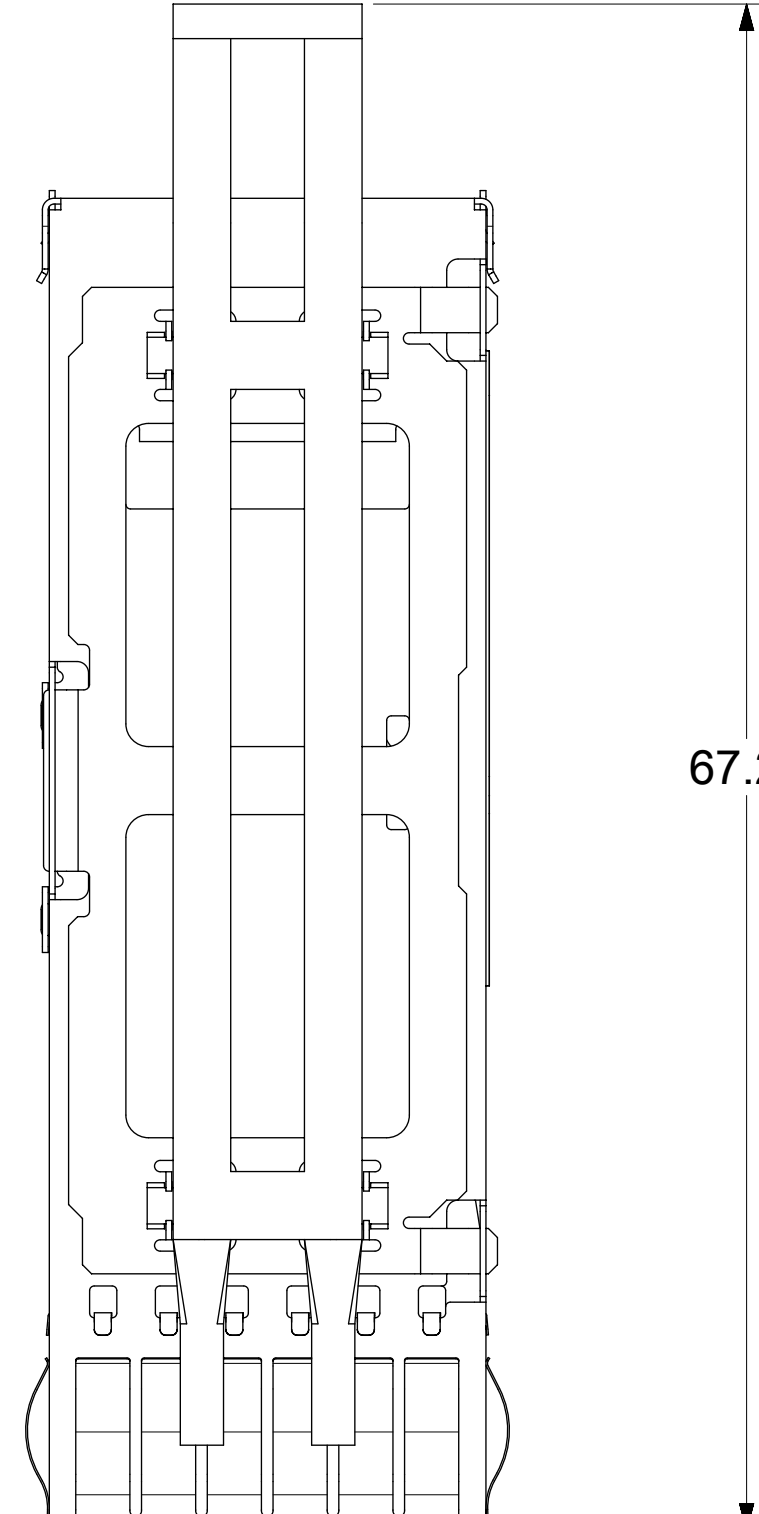
65.77



65.77



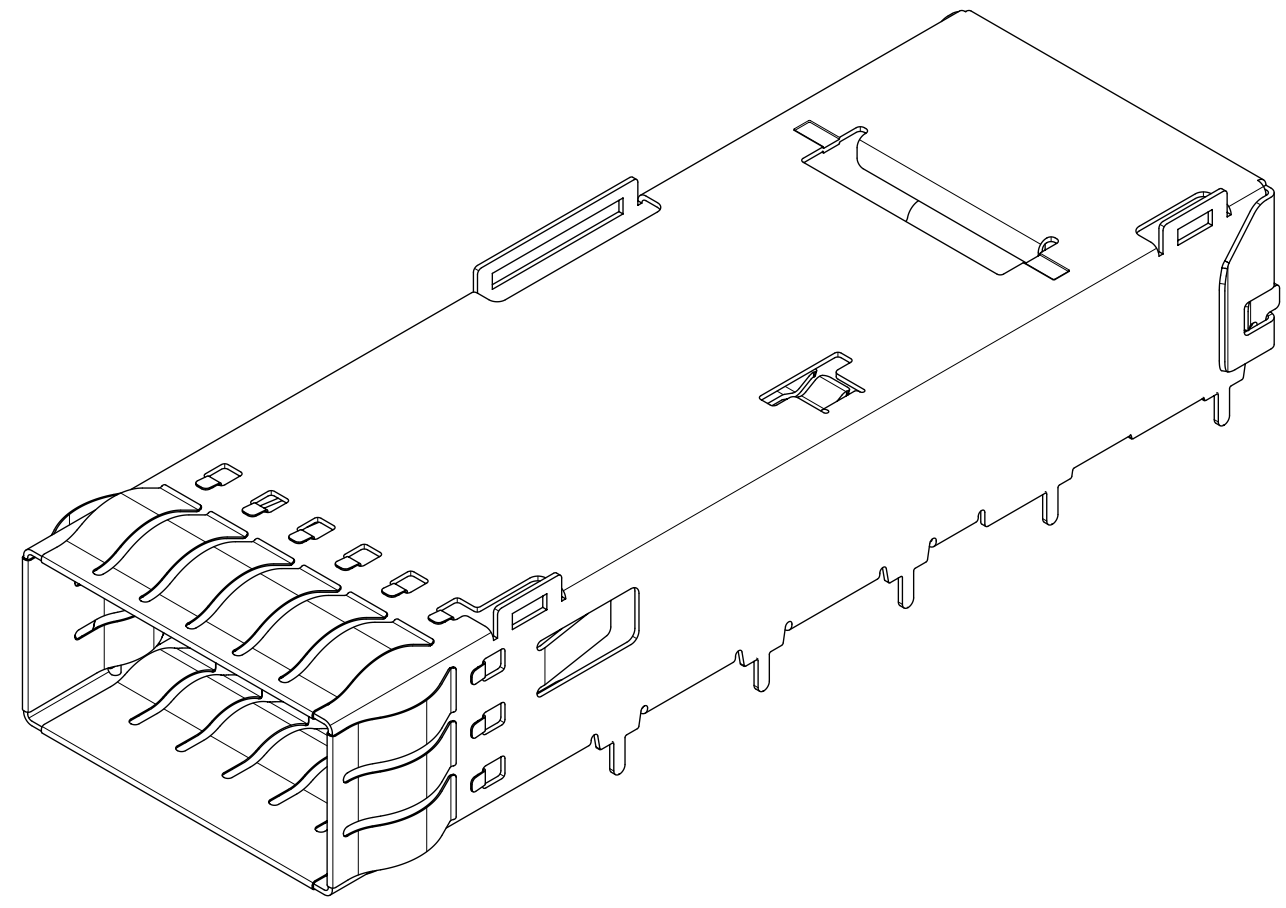
65.77



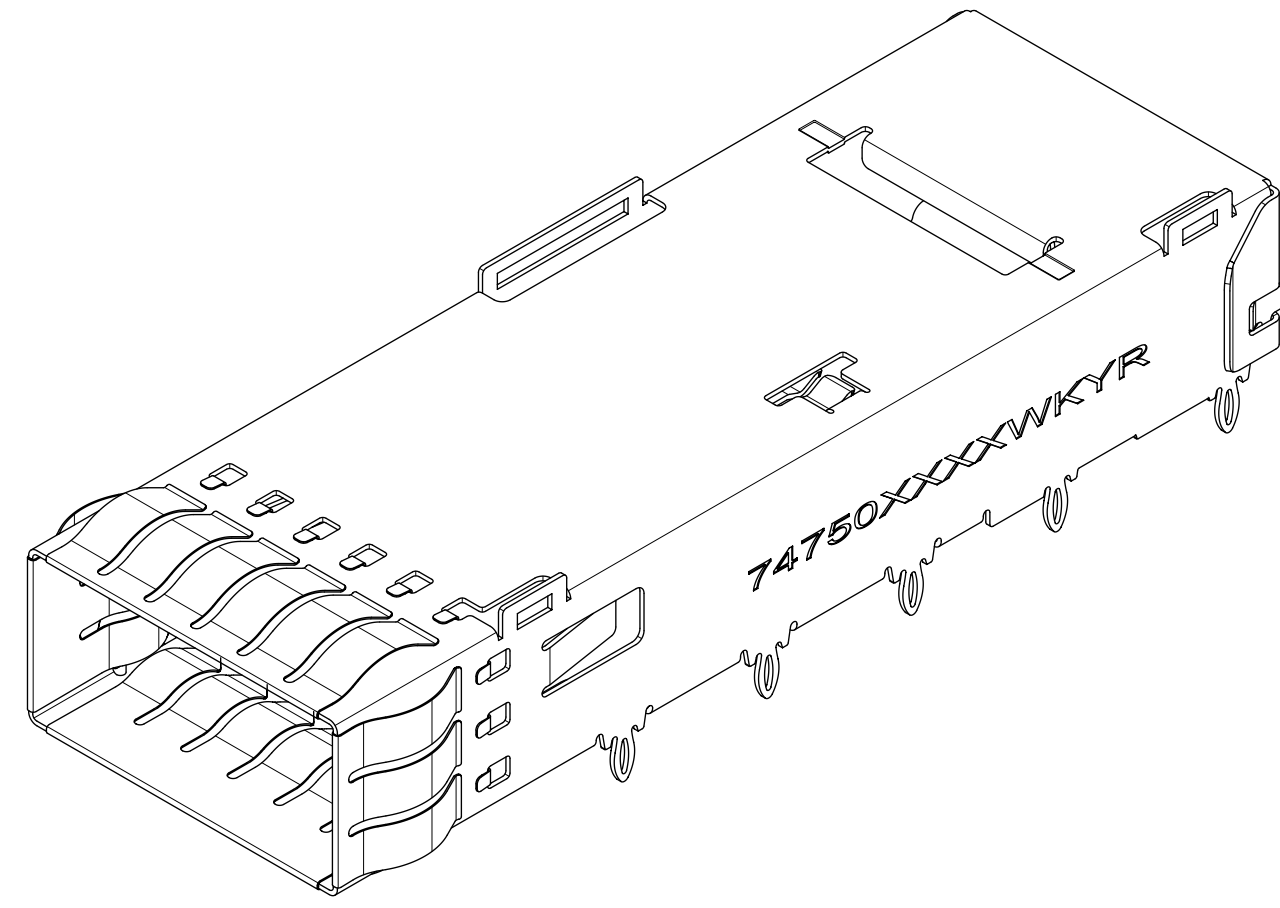
67.29

QUALITY SYMBOLS	THIS DRAWING CONTAINS INFORMATION THAT IS PROPRIETARY TO MOLEX ELECTRONIC TECHNOLOGIES, LLC AND SHOULD NOT BE USED WITHOUT WRITTEN PERMISSION		
▽ = 0 ▽ = 0 ▽ = 0 ▽ = 0 ▽ = 0 ▽ = 0 ▽ = 0 ▽ = 0 ▽ = 0	EC NO: 122627 DRWN: MKEMPEGOWDA CHKD: ELIU08 REV APPR: RCHEN08	2017/09/27 2017/09/28 2017/09/28	GENERAL TOLERANCES (UNLESS SPECIFIED) ANGULAR TOL ± 1.0 ° 4 PLACES ± 3 PLACES ± 2 PLACES ± 0.13 1 PLACE ± 0.25 0 PLACES ± DRAFT WHERE APPLICABLE MUST REMAIN WITHIN DIMENSIONS
DIMENSION UNITS SCALE	mm	DRWN BY DATE	SJKG 2016/06/23
CHKD BY DATE	DSUN15 2017/06/02	APPR BY DATE	RCHEN08 2017/06/05
DRAWING SIZE THIRD ANGLE PROJECTION	D		
SEE REVISION TABLE		SERIES MATERIAL NUMBER CUSTOMER 74750 SEE SHEET 5, 6 & 7 GENERAL MARKET	
DOCUMENT NUMBER 747500021		DOC TYPE PSD	DOC PART SHEET NUMBER ASY 4 OF 12

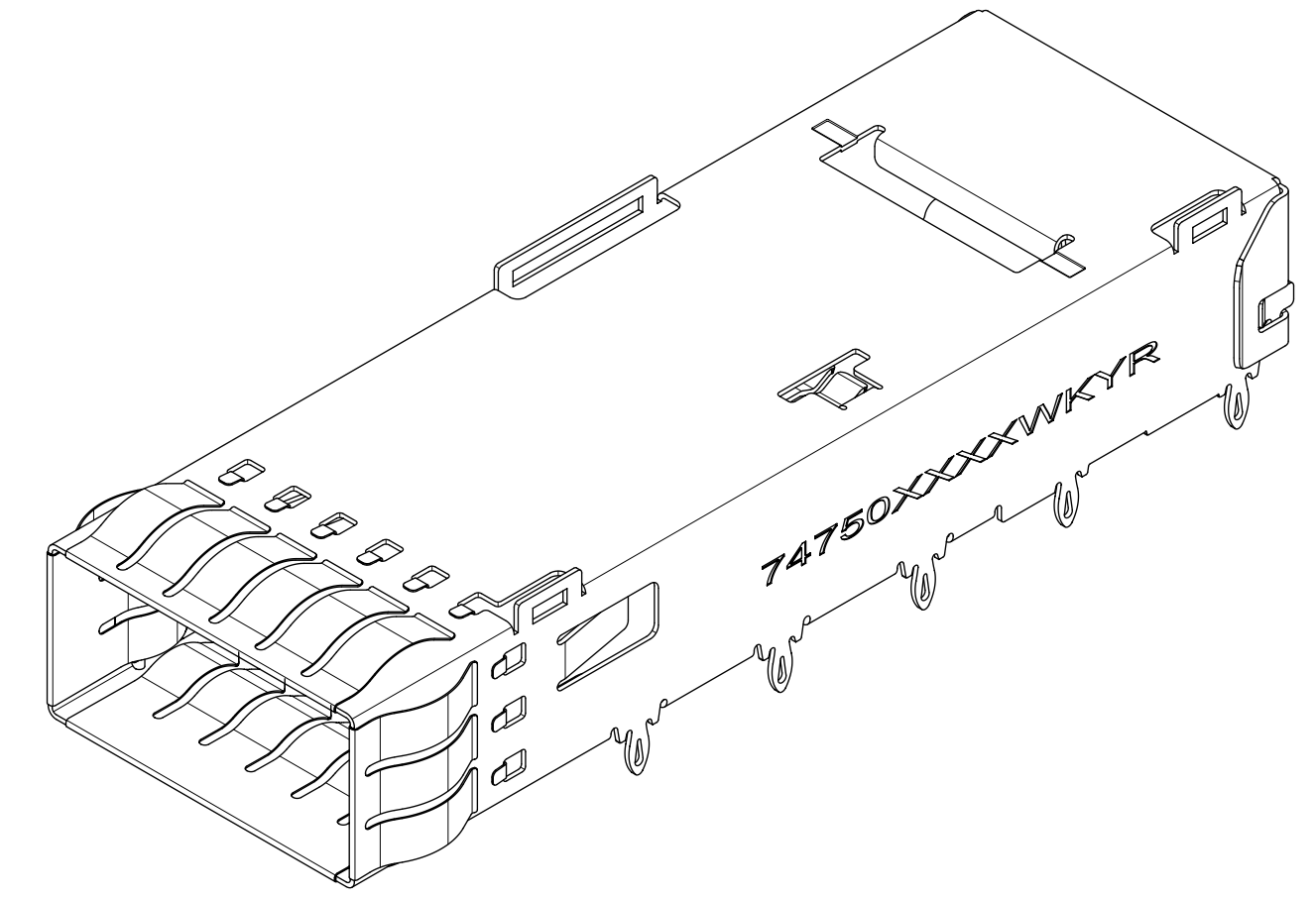
PART NUMBER SELECTION



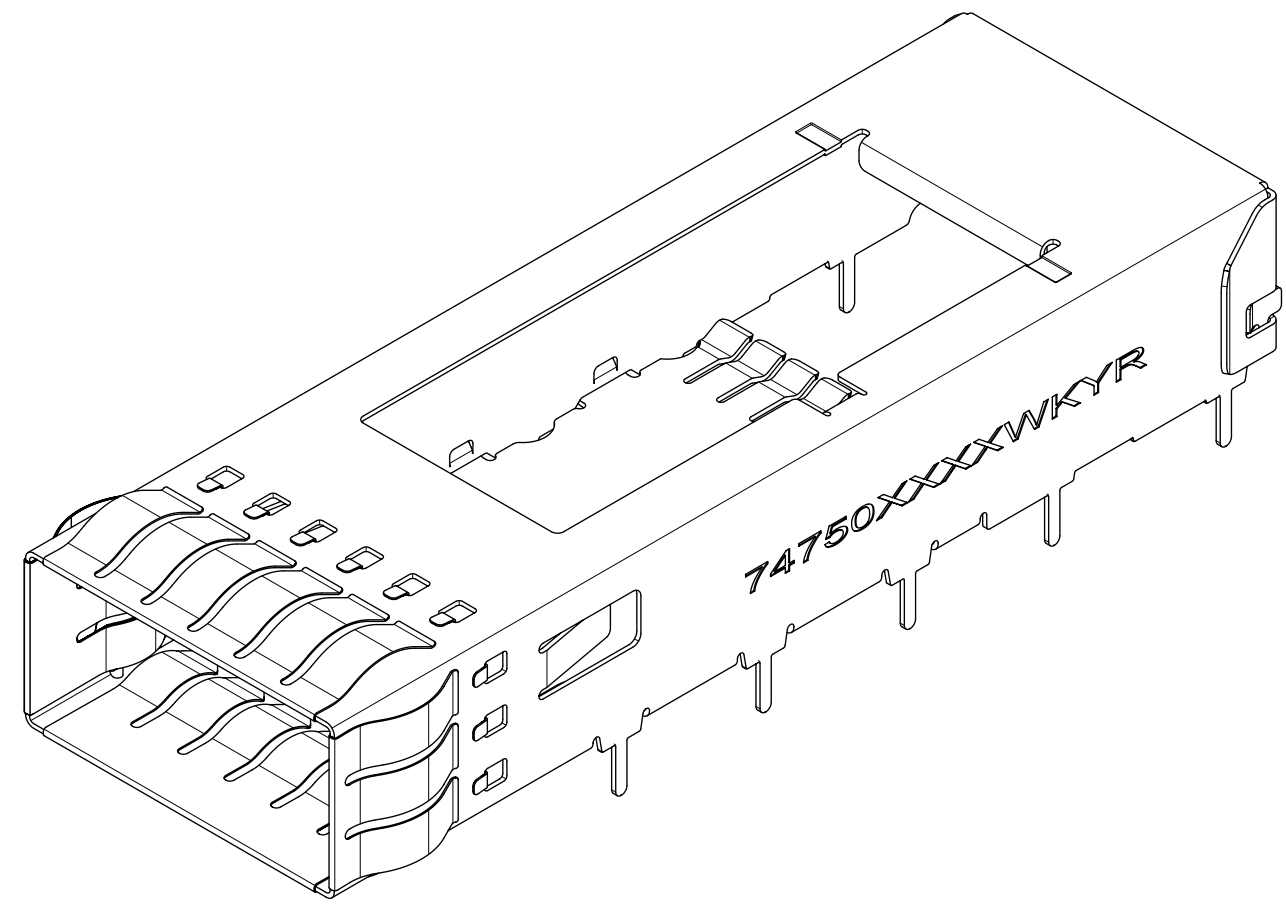
MOLEX P/N	# OF REAR LEGS PER PORT	LEG TYPE	DIM "A"	PLATING
747500051	2	SOLDER POST	1.90	NICKEL
747500053	2	SOLDER POST	1.90	MATTE TIN
747500056	2	SOLDER POST	1.90	BRIGHT TIN



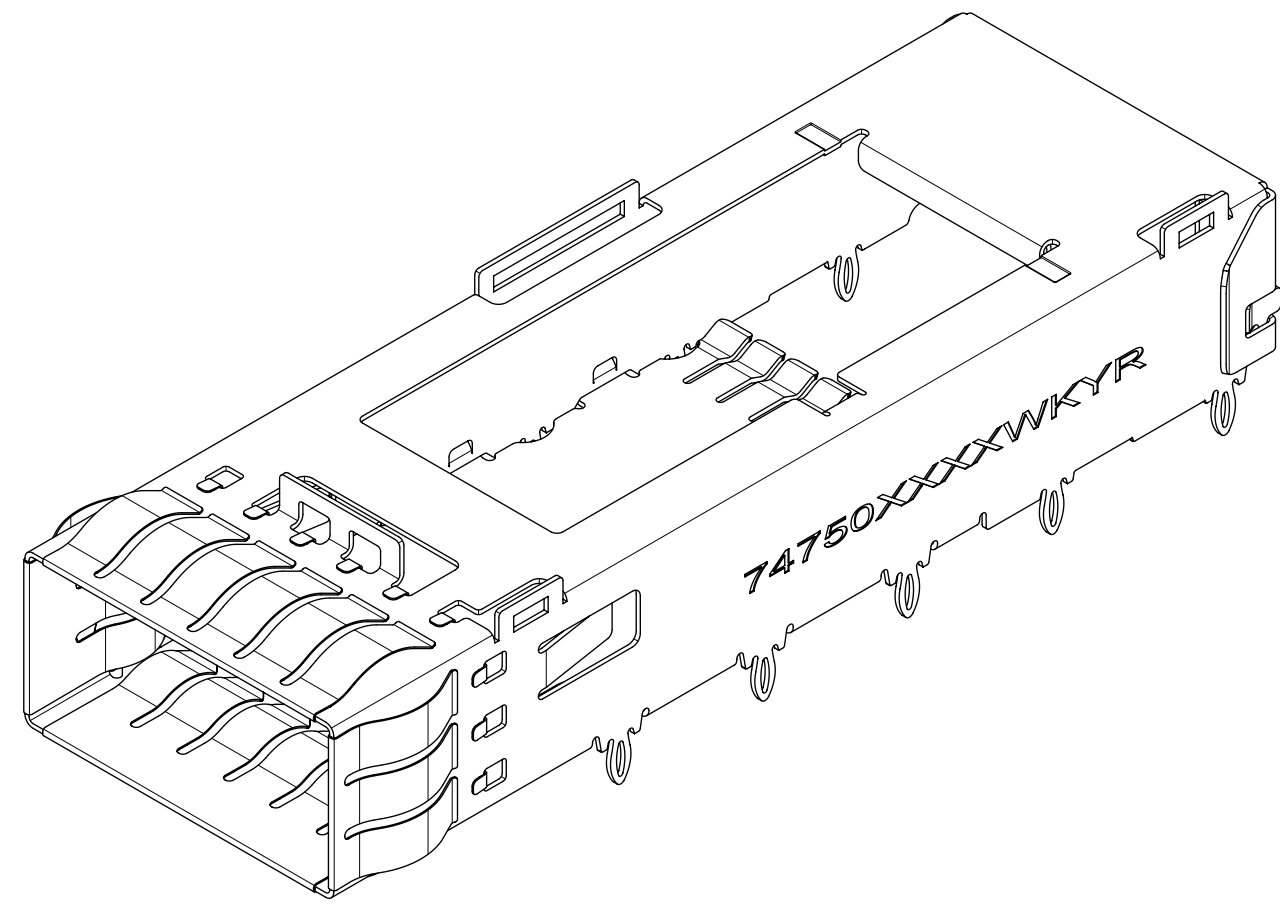
MOLEX P/N	# OF REAR LEGS PER PORT	LEG TYPE	DIM "A"	PLATING
747500024	2	PRESS FIT-EON	2.28	NICKEL



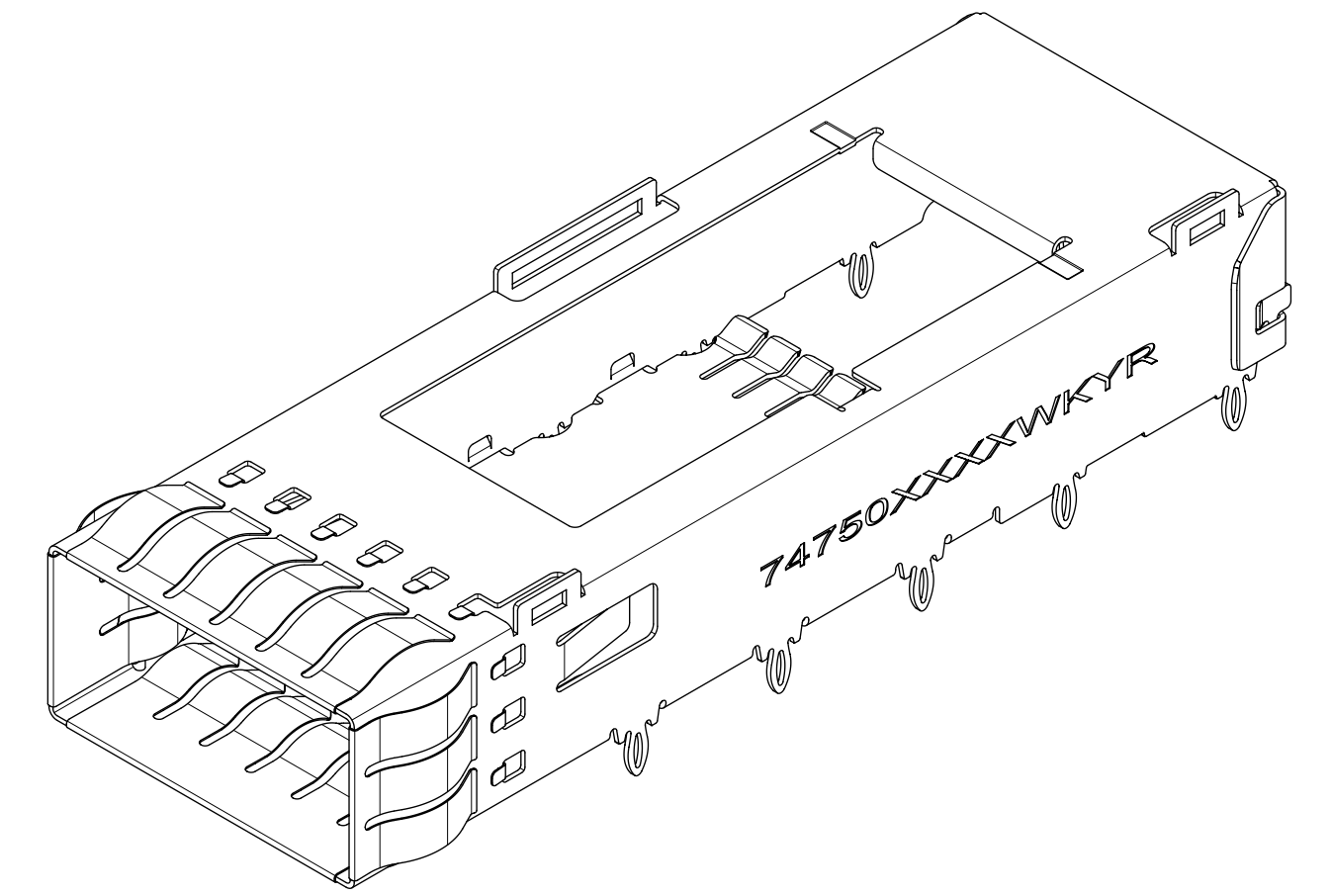
MOLEX P/N	# OF REAR LEGS PER PORT	LEG TYPE	DIM "A"	PLATING
747501102	2	PRESS FIT-TD	2.28	NICKEL
747501103	0	PRESS FIT-TD	2.28	NICKEL



MOLEX P/N	# OF REAR LEGS PER PORT	LEG TYPE	DIM "A"	PLATING
747500062	2	SOLDER POST	2.90	NICKEL
747500058	2	SOLDER POST	2.28	NICKEL



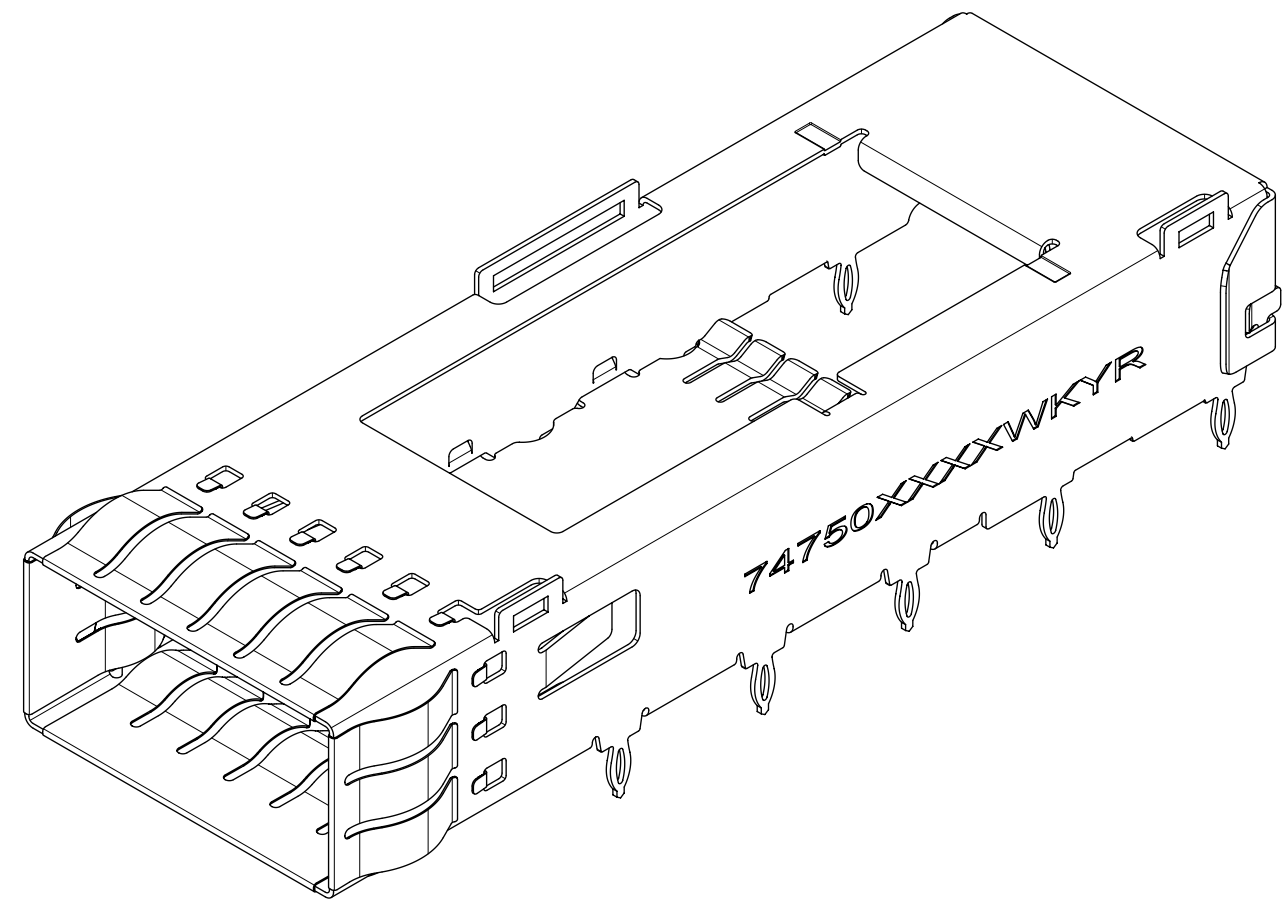
MOLEX P/N	# OF REAR LEGS PER PORT	LEG TYPE	DIM "A"	PLATING
747500092	2	PRESS FIT-EON	2.28	NICKEL
747500093	0	PRESS FIT-EON	2.28	NICKEL



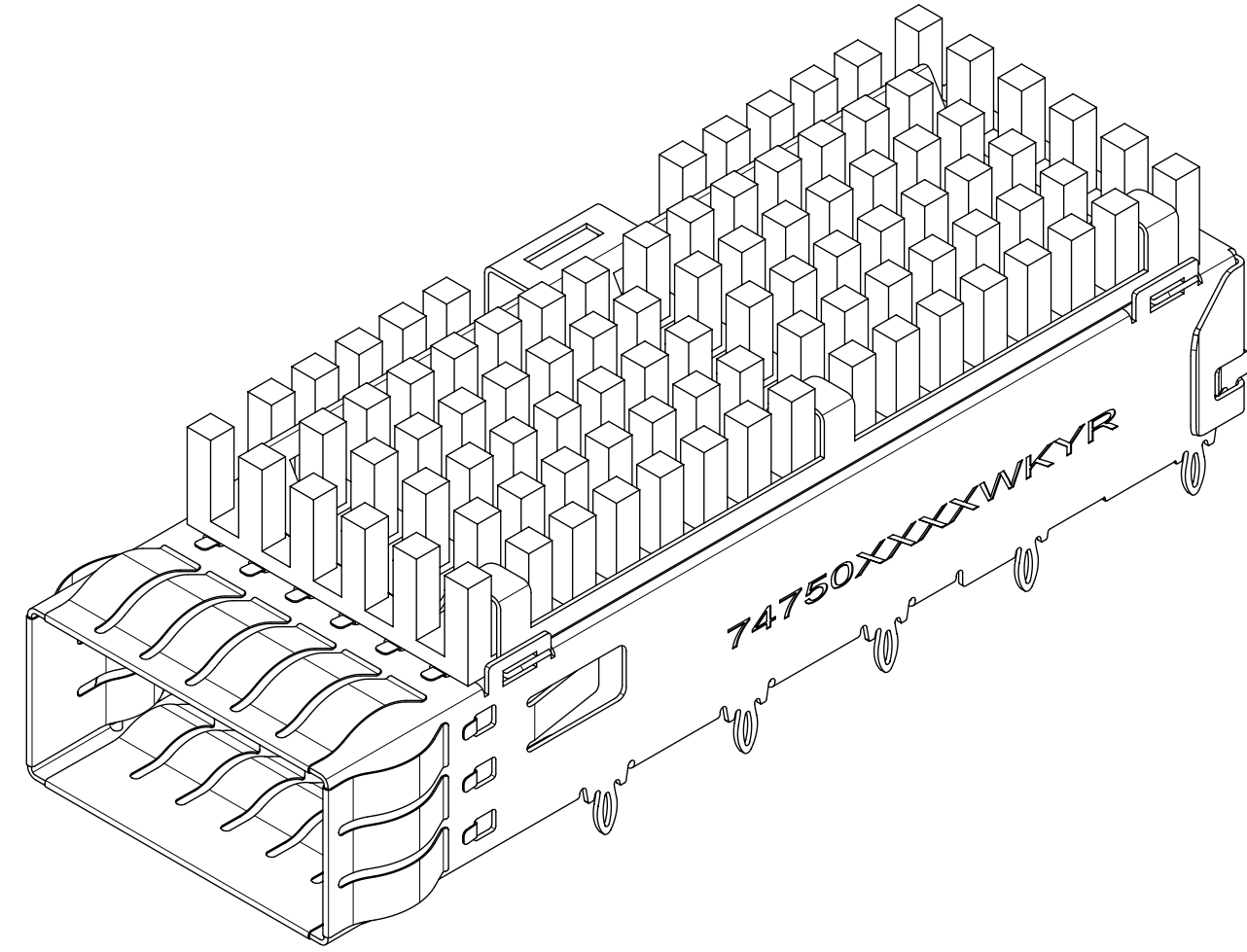
MOLEX P/N	# OF REAR LEGS PER PORT	LEG TYPE	DIM "A"	PLATING
747500021	2	PRESS FIT-EON	2.28	NICKEL
747500023	0	PRESS FIT-EON	2.28	NICKEL
747501100	2	PRESS FIT-TD	2.28	NICKEL
747501101	0	PRESS FIT-TD	2.28	NICKEL

QUALITY SYMBOLS □ = 0 ▽ = 0 ▽ = 0 ▽ = 0 ▽ = 0 ▽ = 0 ▽ = 0 ▽ = 0 ▽ = 0 ▽ = 0 ▽ = 0	THIS DRAWING CONTAINS INFORMATION THAT IS PROPRIETARY TO MOLEX ELECTRONIC TECHNOLOGIES, LLC AND SHOULD NOT BE USED WITHOUT WRITTEN PERMISSION											
	SEE REVISION TABLE EC NO: 122627 DRWN: MKEMPEGOWDA CHKD: ELIU08 REV APPR: RCHEN08	2017/09/27	2017/09/28	2017/09/28	GENERAL TOLERANCES (UNLESS SPECIFIED)		DIMENSION UNITS	SCALE				
		ANGULAR TOL ± 1.0 °		4 PLACES ±	3 PLACES ±	2 PLACES ± 0.13	mm					
		1 PLACE ± 0.25		0 PLACES ±	DRAFT WHERE APPLICABLE MUST REMAIN WITHIN DIMENSIONS		DRWN BY	DATE				
		DRAFT WHERE APPLICABLE MUST REMAIN WITHIN DIMENSIONS		SJKG		2016/06/23		CHKD BY				DATE
		DRAFT WHERE APPLICABLE MUST REMAIN WITHIN DIMENSIONS		DSUN15		2017/06/02		APPR BY				DATE
	DRAFT WHERE APPLICABLE MUST REMAIN WITHIN DIMENSIONS		RCHEN08		2017/06/05		DRAWING SIZE		THIRD ANGLE PROJECTION			
	DRAFT WHERE APPLICABLE MUST REMAIN WITHIN DIMENSIONS		D				SERIES		MATERIAL NUMBER			
	DRAFT WHERE APPLICABLE MUST REMAIN WITHIN DIMENSIONS		74750		SEE SHEET 5, 6 & 7		CUSTOMER		GENERAL MARKET			
	DRAFT WHERE APPLICABLE MUST REMAIN WITHIN DIMENSIONS		DOCUMENT NUMBER		747500021		DOC TYPE		PSD			
DRAFT WHERE APPLICABLE MUST REMAIN WITHIN DIMENSIONS		DOC PART		ASY		SHEET NUMBER		5 OF 12				

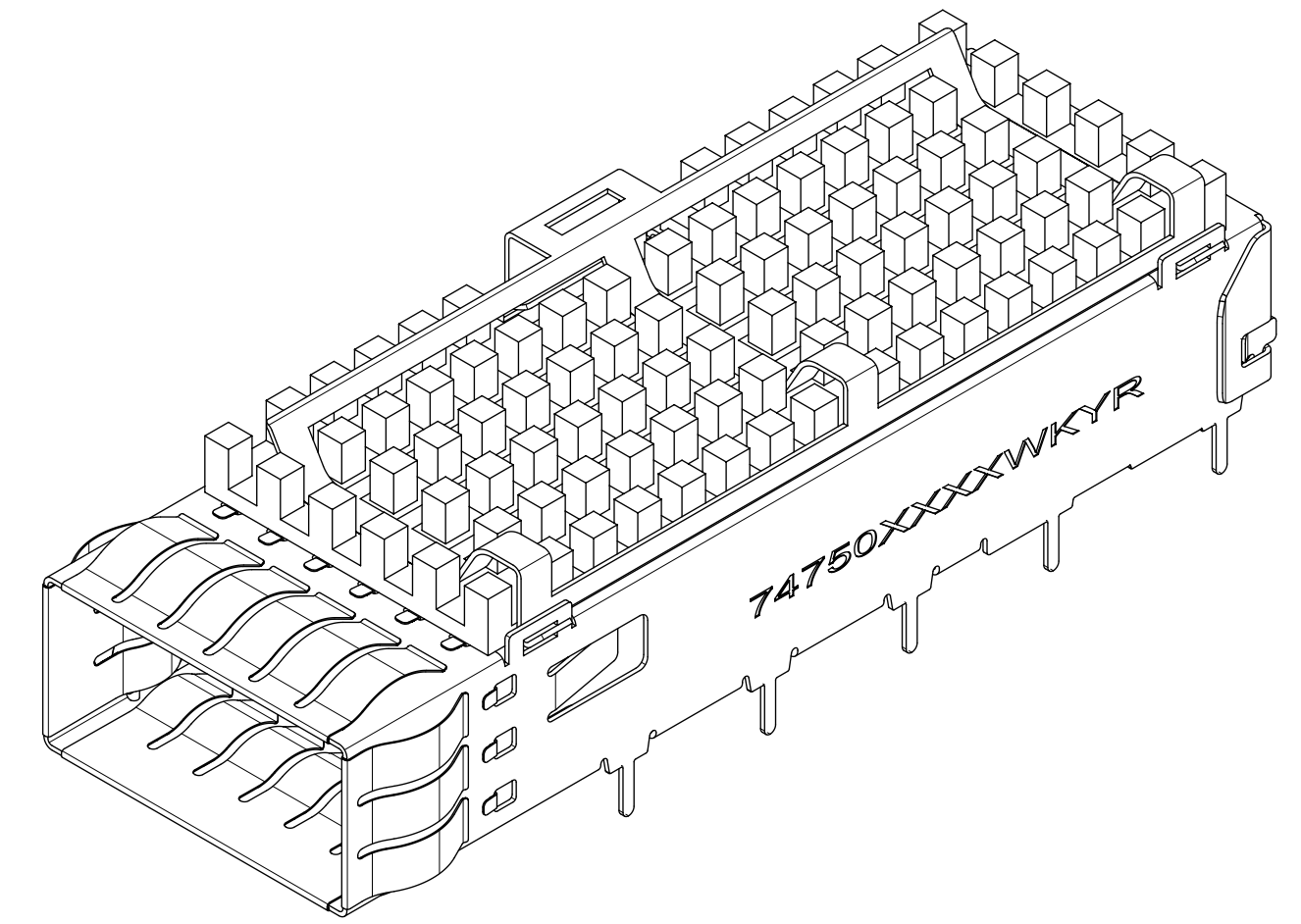
PART NUMBER SELECTION (CONT)



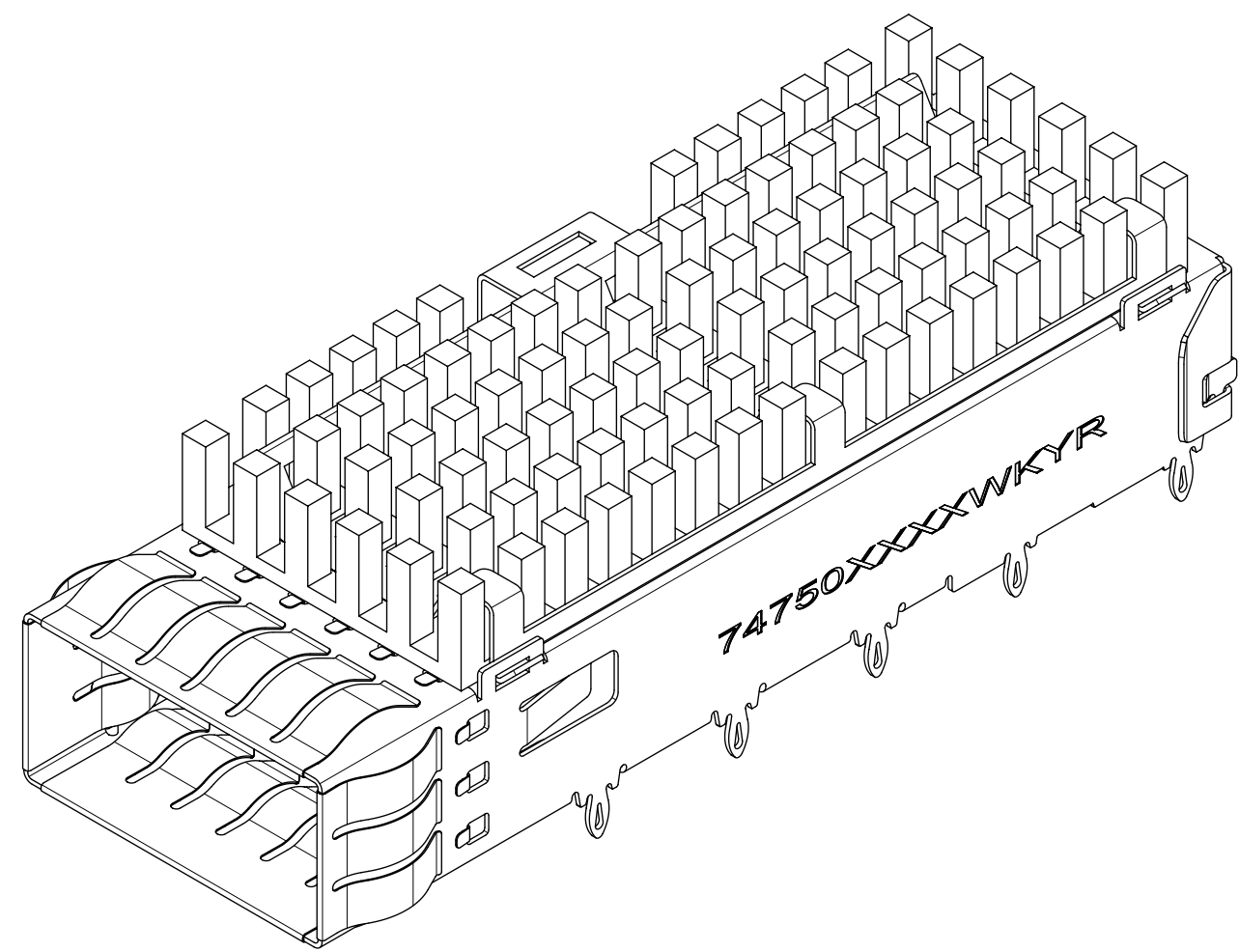
MOLEX P/N	# OF REAR LEGS PER PORT	LEG TYPE	DIM "A"	PLATING
747500012	2	PRESS FIT-EON	3.05	NICKEL



MOLEX P/N	HS	# OF REAR LEGS PER PORT	LEG TYPE	DIM "A"	PLATING
747500040	SAN	2	PRESS FIT-EON	2.28	NICKEL
747500042	SAN	0	PRESS FIT-EON	2.28	NICKEL
747500044	PCI	2	PRESS FIT-EON	2.28	NICKEL
747500046	NET	2	PRESS FIT-EON	2.28	NICKEL



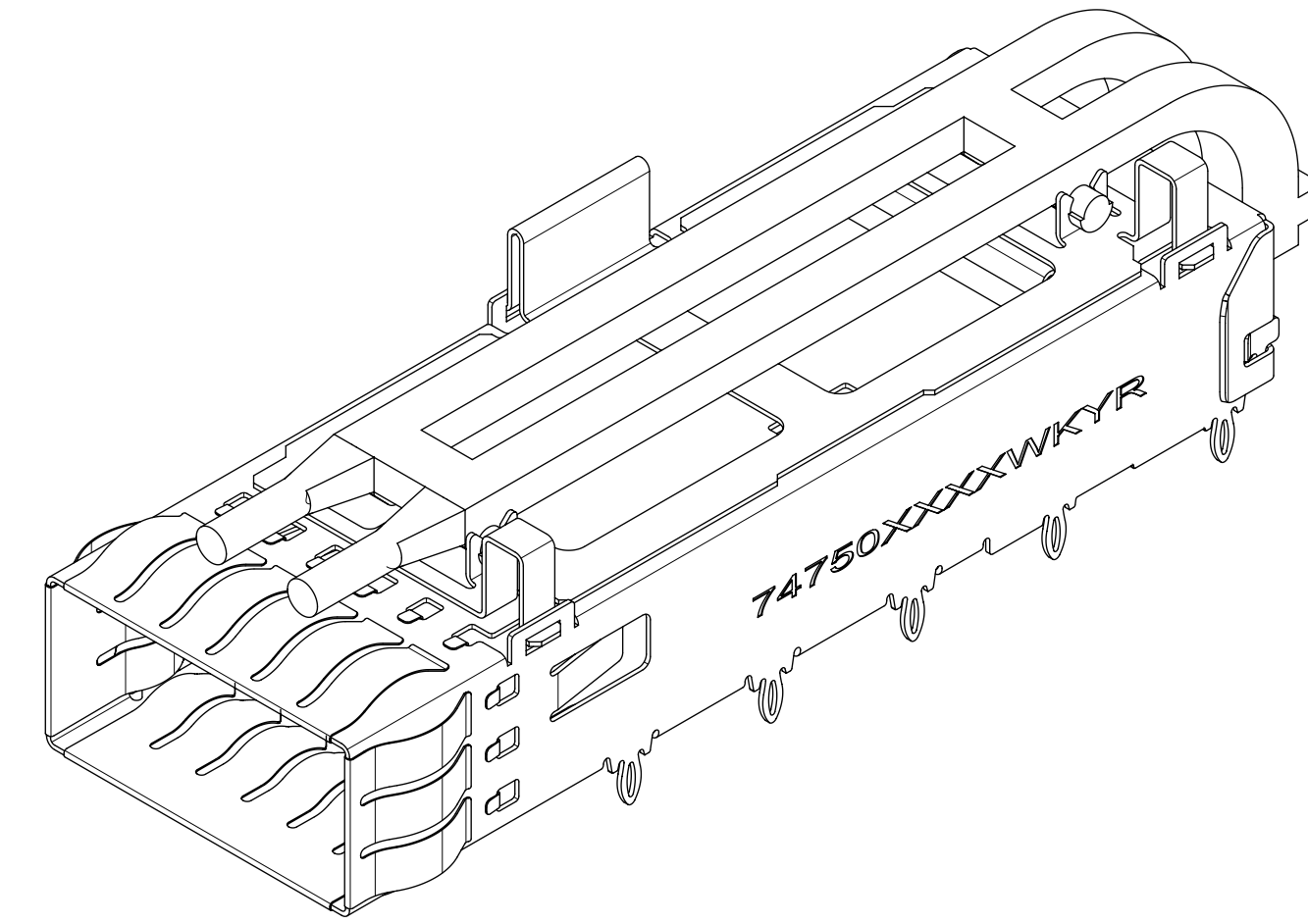
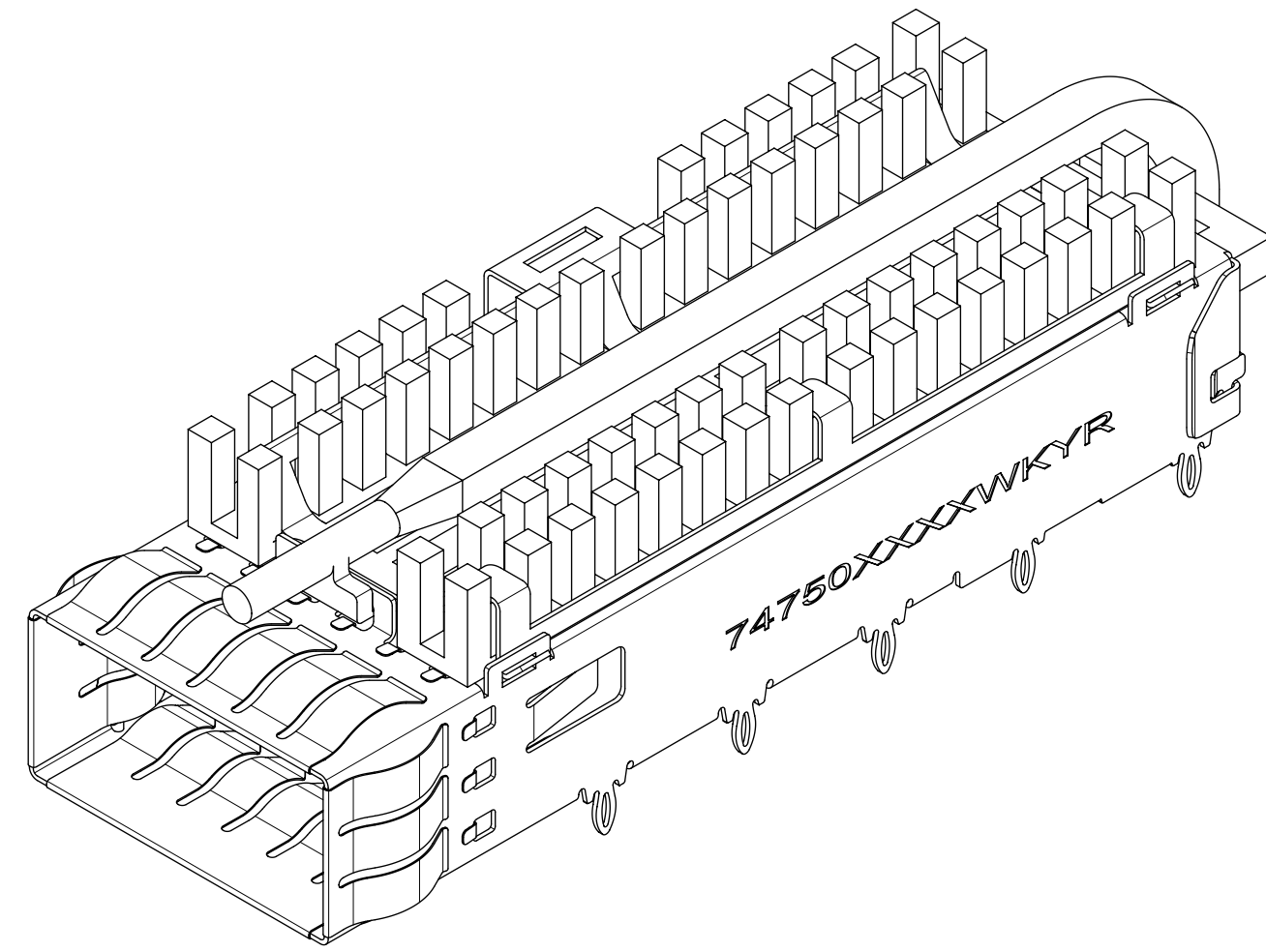
MOLEX P/N	HS	# OF REAR LEGS PER PORT	LEG TYPE	DIM "A"	PLATING
747500057	PCI	2	SOLDER POST	2.90	NICKEL
747500059	SAN	2	SOLDER POST	2.90	NICKEL
747500063	NET	2	SOLDER POST	2.90	NICKEL



MOLEX P/N	MOLEX CAGE W/O HS ASSEMBLY P/N	HS	# OF REAR LEGS PER PORT	LEG TYPE	DIM "A"	PLATING
747501140	747501100	SAN	2	PRESS FIT-TD	2.28	NICKEL
747501141	747501101	SAN	0	PRESS FIT-TD	2.28	NICKEL
747501142	747501100	PCI	2	PRESS FIT-TD	2.28	NICKEL
747501143	747501100	NET	2	PRESS FIT-TD	2.28	NICKEL

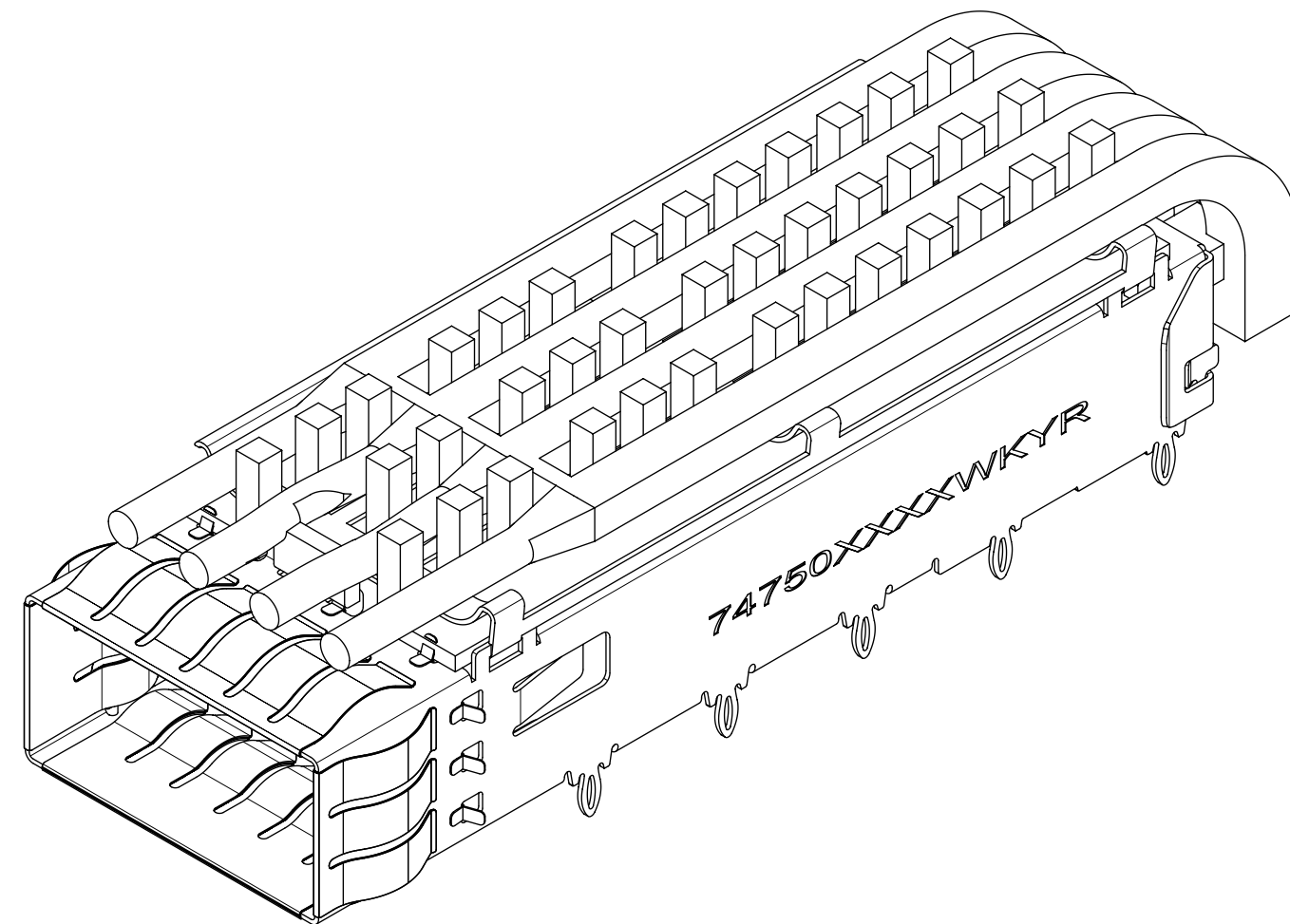
QUALITY SYMBOLS □ = 0 ▽ = 0 ▽ = 0 ▽ = 0 ▽ = 0 ▽ = 0 ▽ = 0 ▽ = 0 ▽ = 0 ▽ = 0 ▽ = 0	THIS DRAWING CONTAINS INFORMATION THAT IS PROPRIETARY TO MOLEX ELECTRONIC TECHNOLOGIES, LLC AND SHOULD NOT BE USED WITHOUT WRITTEN PERMISSION										
	SEE REVISION TABLE EC NO: 122627 DRWN: MKEMPEGOWDA CHKD: ELIU08 REV APPR: RCHEN08	2017/09/27	2017/09/28	2017/09/28	GENERAL TOLERANCES (UNLESS SPECIFIED)		DIMENSION UNITS	SCALE			
		ANGULAR TOL ± 1.0 °		4 PLACES ±	3 PLACES ±	2 PLACES ± 0.13	mm				
		1 PLACE ± 0.25		0 PLACES ±	DRAFT WHERE APPLICABLE MUST REMAIN WITHIN DIMENSIONS		DRWN BY	DATE	QSFP+ 1X1 CAGE ASSEMBLY WITH SPRING FINGER TYPE PRODUCT CUSTOMER DRAWING		
						SJKG	2016/06/23				
						CHKD BY	DATE				
					DSUN15	2017/06/02	SERIES MATERIAL NUMBER CUSTOMER 74750 SEE SHEET 5, 6 & 7 GENERAL MARKET				
					APPR BY	DATE					
					RCHEN08	2017/06/05	DOCUMENT NUMBER DOC TYPE DOC PART SHEET NUMBER 747500021 PSD ASY 6 OF 12				
					DRAWING SIZE	THIRD ANGLE PROJECTION					
				D							

PART NUMBER SELECTION (CONT)



MOLEX P/N	MOLEX CAGE W/O HS ASSEMBLY P/N	LP SINGLE(747500403) DUAL(747500404)	TIP STYLE	HS	# OF REAR LEGS PER PORT	LEG TYPE	DIM "A"	DIM "B"	PLATING
747500080	747500092	SINGLE	ROUND	SAN	2	PRESS FIT-EON	2.28	60.25	NICKEL
747500081	747500092	SINGLE	ROUND	NET	2	PRESS FIT-EON	2.28	60.25	NICKEL
747500082	747500092	DUAL	ROUND	SAN	2	PRESS FIT-EON	2.28	60.25	NICKEL
747500083	747500092	DUAL	ROUND	NET	2	PRESS FIT-EON	2.28	60.25	NICKEL
747500084	747500093	SINGLE	ROUND	SAN	0	PRESS FIT-EON	2.28	60.25	NICKEL
747500085	747500093	SINGLE	ROUND	NET	0	PRESS FIT-EON	2.28	60.25	NICKEL
747500086	747500093	DUAL	ROUND	SAN	0	PRESS FIT-EON	2.28	60.25	NICKEL
747500087	747500093	DUAL	ROUND	NET	0	PRESS FIT-EON	2.28	60.25	NICKEL
747500088	N/A	DUAL	ROUND	NET	2	PRESS FIT-TD	2.28	60.25	NICKEL

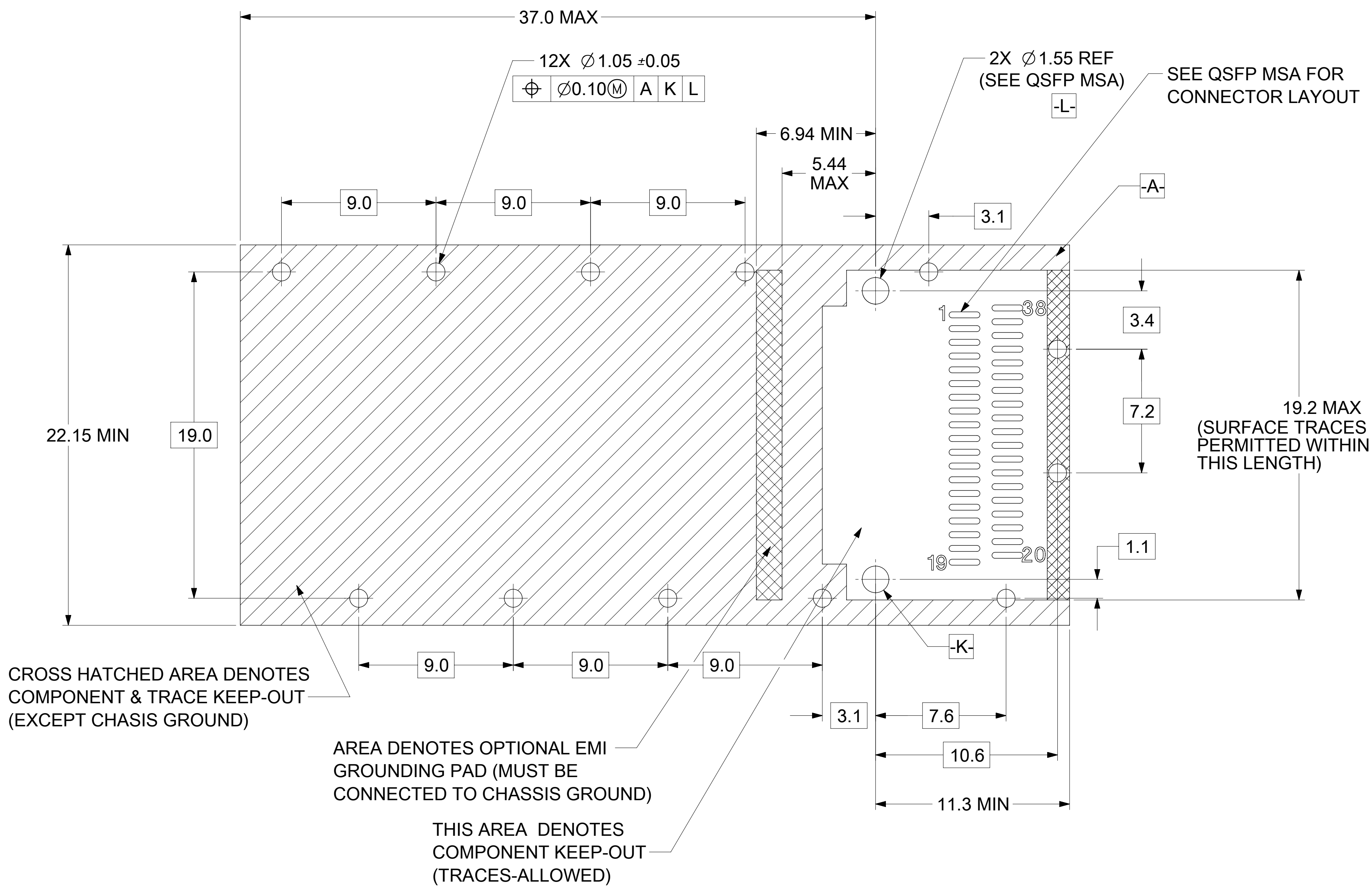
MOLEX P/N	MOLEX CAGE W/O HS ASSEMBLY P/N	LIGHT PIPE ASSEMBLY P/N	TIP STYLE	# OF REAR LEGS PER PORT	LEG TYPE	DIM "A"	DIM "B"	PLATING
747501586	747500024	747500031	ROUND	2	PRESS FIT-EON	2.28	60.25	NICKEL



MOLEX P/N	LP	TIP STYLE	HS	# OF REAR LEGS PER PORT	LEG TYPE	DIM "A"	DIM "B"	PLATING
747501580	QUAD	ROUND	PCI	2	PRESS FIT-EON	2.28	60.25	NICKEL
747501581	QUAD	ROUND	SAN	2	PRESS FIT-EON	2.28	60.25	NICKEL
747501582	QUAD	ROUND	NET	2	PRESS FIT-EON	2.28	60.25	NICKEL
747501583	QUAD	ROUND	PCI	0	PRESS FIT-EON	2.28	60.25	NICKEL
747501584	QUAD	ROUND	SAN	0	PRESS FIT-EON	2.28	60.25	NICKEL
747501585	QUAD	ROUND	NET	0	PRESS FIT-EON	2.28	60.25	NICKEL

THIS DRAWING CONTAINS INFORMATION THAT IS PROPRIETARY TO MOLEX ELECTRONIC TECHNOLOGIES, LLC AND SHOULD NOT BE USED WITHOUT WRITTEN PERMISSION												
QUALITY SYMBOLS □ = 0 ▽ = 0 ▽ = 0 ▽ = 0 ▽ = 0 ▽ = 0 ▽ = 0 ▽ = 0 ▽ = 0 ▽ = 0 ▽ = 0	EC NO: 122627 DRWN: MKEMPEGOWDA CHKD: ELIU08 REV APPR: RCHEN08		2017/09/27 2017/09/28 2017/09/28		GENERAL TOLERANCES (UNLESS SPECIFIED) ANGULAR TOL ± 1.0 ° 4 PLACES ± 3 PLACES ± 2 PLACES ± 0.13 1 PLACE ± 0.25 0 PLACES ± DRAFT WHERE APPLICABLE MUST REMAIN WITHIN DIMENSIONS		DIMENSION UNITS: mm SCALE: DRWN BY: SJKG DATE: 2016/06/23 CHKD BY: DSUN15 DATE: 2017/06/02 APPR BY: RCHEN08 DATE: 2017/06/05					
	SEE REVISION TABLE					DIMENSION UNITS: mm SCALE: DRWN BY: SJKG DATE: 2016/06/23 CHKD BY: DSUN15 DATE: 2017/06/02 APPR BY: RCHEN08 DATE: 2017/06/05					PRODUCT CUSTOMER DRAWING	
	SERIES: 74750 MATERIAL NUMBER: SEE SHEET 5, 6 & 7 CUSTOMER: GENERAL MARKET			DIMENSION UNITS: mm SCALE: DRWN BY: SJKG DATE: 2016/06/23 CHKD BY: DSUN15 DATE: 2017/06/02 APPR BY: RCHEN08 DATE: 2017/06/05							PRODUCT CUSTOMER DRAWING	
	DOCUMENT NUMBER: 747500021 DOC TYPE: PSD DOC PART: ASY SHEET NUMBER: 7 OF 12			DIMENSION UNITS: mm SCALE: DRWN BY: SJKG DATE: 2016/06/23 CHKD BY: DSUN15 DATE: 2017/06/02 APPR BY: RCHEN08 DATE: 2017/06/05							PRODUCT CUSTOMER DRAWING	
	DIMENSION UNITS: mm SCALE: DRWN BY: SJKG DATE: 2016/06/23 CHKD BY: DSUN15 DATE: 2017/06/02 APPR BY: RCHEN08 DATE: 2017/06/05			DIMENSION UNITS: mm SCALE: DRWN BY: SJKG DATE: 2016/06/23 CHKD BY: DSUN15 DATE: 2017/06/02 APPR BY: RCHEN08 DATE: 2017/06/05							PRODUCT CUSTOMER DRAWING	
	DIMENSION UNITS: mm SCALE: DRWN BY: SJKG DATE: 2016/06/23 CHKD BY: DSUN15 DATE: 2017/06/02 APPR BY: RCHEN08 DATE: 2017/06/05			DIMENSION UNITS: mm SCALE: DRWN BY: SJKG DATE: 2016/06/23 CHKD BY: DSUN15 DATE: 2017/06/02 APPR BY: RCHEN08 DATE: 2017/06/05							PRODUCT CUSTOMER DRAWING	
	DIMENSION UNITS: mm SCALE: DRWN BY: SJKG DATE: 2016/06/23 CHKD BY: DSUN15 DATE: 2017/06/02 APPR BY: RCHEN08 DATE: 2017/06/05			DIMENSION UNITS: mm SCALE: DRWN BY: SJKG DATE: 2016/06/23 CHKD BY: DSUN15 DATE: 2017/06/02 APPR BY: RCHEN08 DATE: 2017/06/05							PRODUCT CUSTOMER DRAWING	
	DIMENSION UNITS: mm SCALE: DRWN BY: SJKG DATE: 2016/06/23 CHKD BY: DSUN15 DATE: 2017/06/02 APPR BY: RCHEN08 DATE: 2017/06/05			DIMENSION UNITS: mm SCALE: DRWN BY: SJKG DATE: 2016/06/23 CHKD BY: DSUN15 DATE: 2017/06/02 APPR BY: RCHEN08 DATE: 2017/06/05							PRODUCT CUSTOMER DRAWING	
	DIMENSION UNITS: mm SCALE: DRWN BY: SJKG DATE: 2016/06/23 CHKD BY: DSUN15 DATE: 2017/06/02 APPR BY: RCHEN08 DATE: 2017/06/05			DIMENSION UNITS: mm SCALE: DRWN BY: SJKG DATE: 2016/06/23 CHKD BY: DSUN15 DATE: 2017/06/02 APPR BY: RCHEN08 DATE: 2017/06/05							PRODUCT CUSTOMER DRAWING	
	DIMENSION UNITS: mm SCALE: DRWN BY: SJKG DATE: 2016/06/23 CHKD BY: DSUN15 DATE: 2017/06/02 APPR BY: RCHEN08 DATE: 2017/06/05			DIMENSION UNITS: mm SCALE: DRWN BY: SJKG DATE: 2016/06/23 CHKD BY: DSUN15 DATE: 2017/06/02 APPR BY: RCHEN08 DATE: 2017/06/05							PRODUCT CUSTOMER DRAWING	

PCB LAYOUT FOR SINGLE SIDED MOUNTING



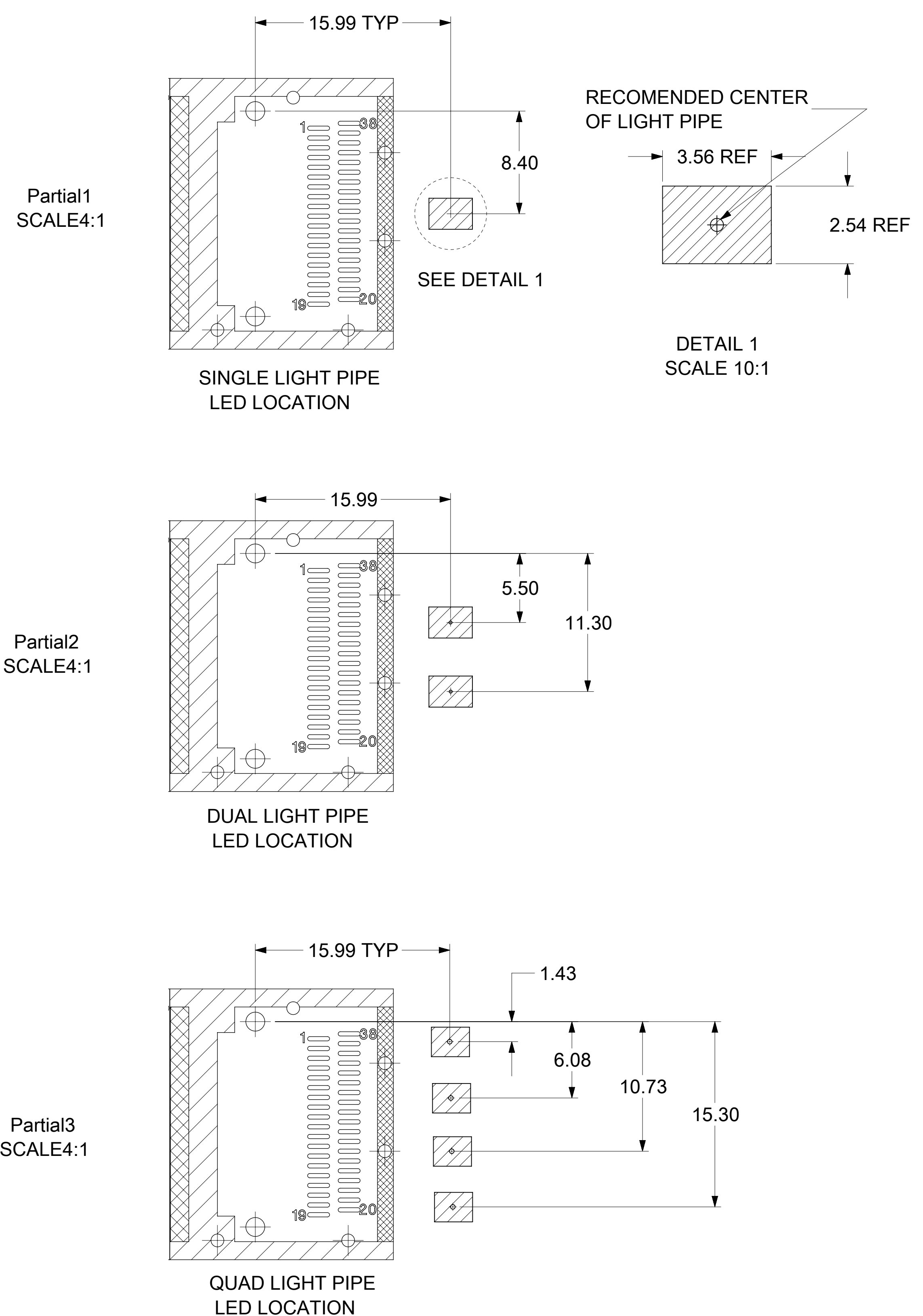
CROSS HATCHED AREA DENOTES COMPONENT & TRACE KEEP-OUT (EXCEPT CHASSIS GROUND)

AREA DENOTES OPTIONAL EMI GROUNDING PAD (MUST BE CONNECTED TO CHASSIS GROUND)

THIS AREA DENOTES COMPONENT KEEP-OUT (TRACES-ALLOWED)

- NOTES:**
- DATUM -A- IS TOP SURFACE OF HOST BOARD PER MSA
 - FINISHED HOLE SIZE (AFTER PLATING)
 - DATUM -K- IS HOST BOARD THRU HOLE #1 TO ACCEPT CONNECTOR GUIDE POST PER MSA
 - DATUM -L- IS HOST BOARD THRU HOLE #2 TO ACCEPT CONNECTOR GUIDE POST PER MSA
 - SINGLE SIDED BOARD THICKNESS
 MINIMUM: 1.57 [0.061"] FOR 3.05MM & 2.90MM LEGS.
 MINIMUM: 1.44 [0.057"] FOR 2.28MM & 1.90MM LEGS.
 - LED SHOULD BE PLACED RELATIVE TO THE QSFP CONNECTOR POST HOLES.

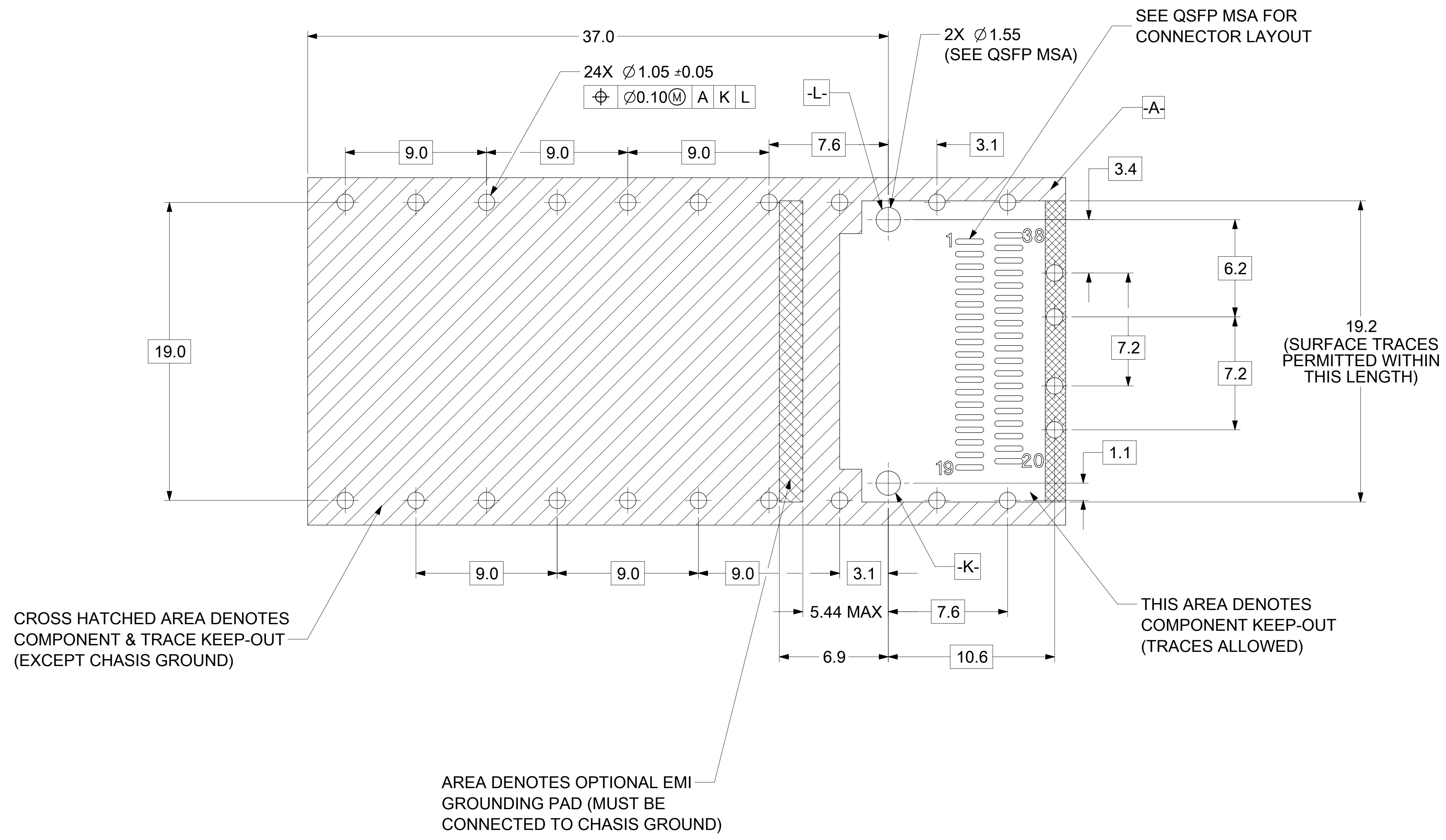
HOST CONNECTOR DETAIL



QUALITY SYMBOLS □ = 0 ▽ = 0 ▽ = 0 ▽ = 0 ▽ = 0 ▽ = 0 ▽ = 0 ▽ = 0 ▽ = 0 ▽ = 0	THIS DRAWING CONTAINS INFORMATION THAT IS PROPRIETARY TO MOLEX ELECTRONIC TECHNOLOGIES, LLC AND SHOULD NOT BE USED WITHOUT WRITTEN PERMISSION				DIMENSION UNITS: mm SCALE:			
	GENERAL TOLERANCES (UNLESS SPECIFIED) ANGULAR TOL ± 1.0 °		DRWN BY: SJKG DATE: 2016/06/23		QSFP+ 1X1 CAGE ASSEMBLY WITH SPRING FINGER TYPE			
	4 PLACES ± 3 PLACES ± 2 PLACES ± 0.13 1 PLACE ± 0.25 0 PLACES ±		CHKD BY: DSUN15 DATE: 2017/06/02				PRODUCT CUSTOMER DRAWING	
	DRAFT WHERE APPLICABLE MUST REMAIN WITHIN DIMENSIONS		APPR BY: RCHEN08 DATE: 2017/06/05		SERIES: 74750 MATERIAL NUMBER: SEE SHEET 5, 6 & 7 CUSTOMER: GENERAL MARKET			
EC NO: 122627 DRWN: MKEMPEGOWDA CHKD: ELIU08 REV APPR: RCHEN08		SEE REVISION TABLE		DRAWING SIZE: D THIRD ANGLE PROJECTION		DOCUMENT NUMBER: 747500021 DOC TYPE: PSD DOC PART: ASY SHEET NUMBER: 8 OF 12		

RELEASE STATUS	P1	RELEASE DATE	28.09.2017	09:26:03
----------------	----	--------------	------------	----------

PCB LAYOUT FOR BELLY TO BELLY MOUNTING



NOTE:
SEE PREVIOUS SHEET FOR
HOST CONNECTOR DETAIL
AND LED LOCATION DETAILS

CROSS HATCHED AREA DENOTES
COMPONENT & TRACE KEEP-OUT
(EXCEPT CHASIS GROUND)

THIS AREA DENOTES
COMPONENT KEEP-OUT
(TRACES ALLOWED)

AREA DENOTES OPTIONAL EMI
GROUNDING PAD (MUST BE
CONNECTED TO CHASIS GROUND)

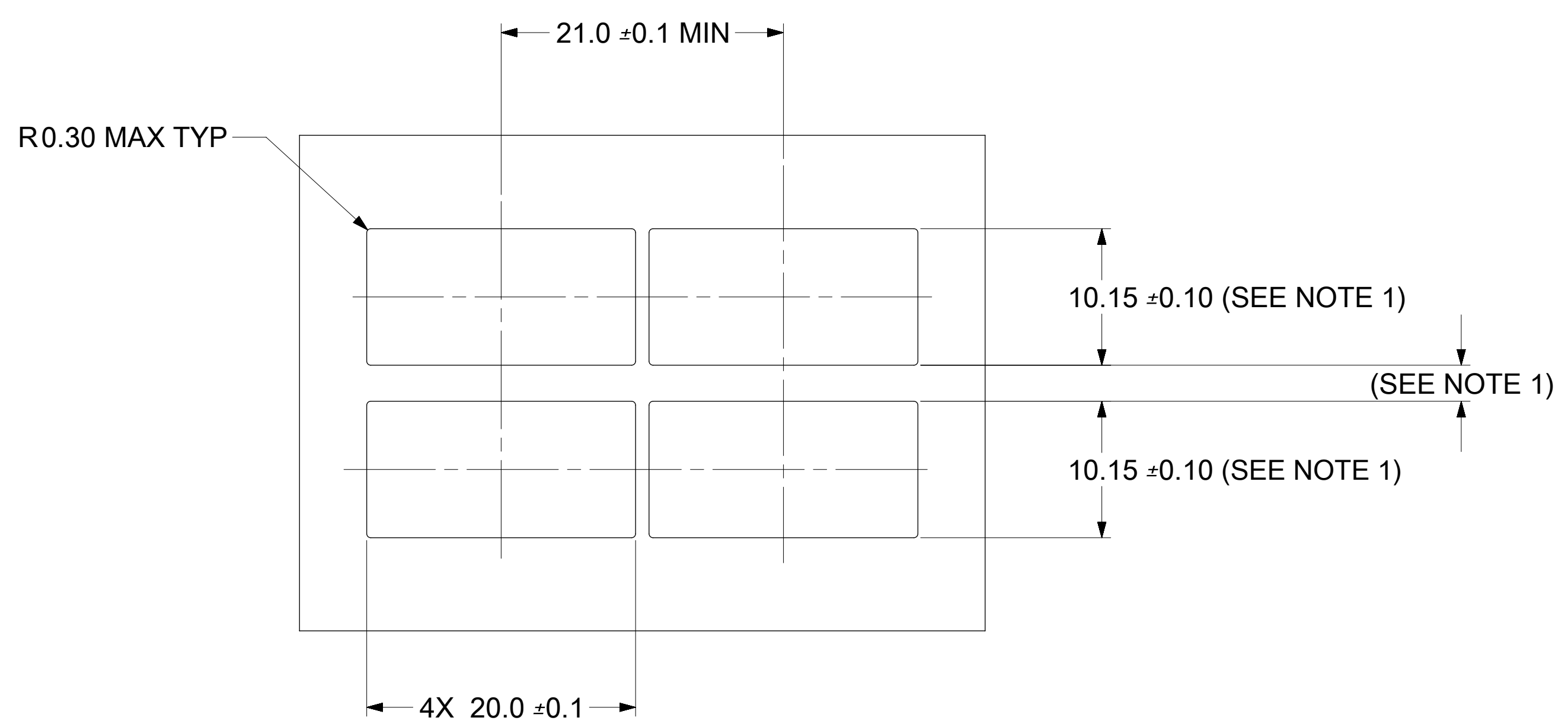
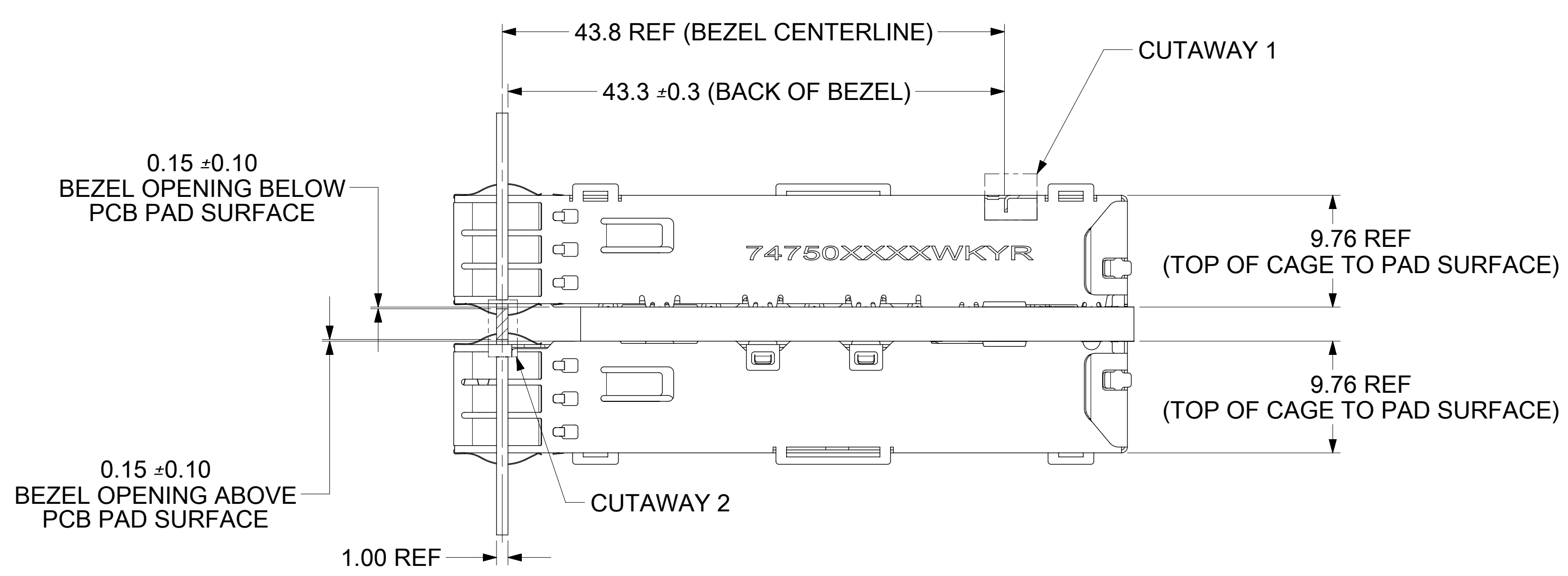
NOTES:

- DATUM -A- IS TOP SURFACE OF HOST BOARD PER MSA.
- FINISHED HOLE SIZE (AFTER PLATING).
- DATUM -K- IS HOST BOARD THRU HOLE #1 TO ACCEPT CONNECTOR GUIDE POST PER MSA.
- DATUM -L- IS HOST BOARD THRU HOLE #2 TO ACCEPT CONNECTOR GUIDE POST PER MSA.
- BELLY TO BELLY BOARD THICKNESS:
MINIMUM: 3.00 [0.118"] FOR 3.05MM LEGS.
MINIMUM: 2.07 [0.081"] FOR 2.28MM LEGS.
1.90MM AND 2.90MM SOLDER POST LEGS CANNOT BE MOUNTED BELLY TO BELLY

QUALITY SYMBOLS		THIS DRAWING CONTAINS INFORMATION THAT IS PROPRIETARY TO MOLEX ELECTRONIC TECHNOLOGIES, LLC AND SHOULD NOT BE USED WITHOUT WRITTEN PERMISSION									
∇	= 0	SEE REVISION TABLE	GENERAL TOLERANCES (UNLESS SPECIFIED)		DIMENSION UNITS	SCALE					
∇	= 0		ANGULAR TOL \pm 1.0 °		mm						
∇	= 0		4 PLACES \pm		DRWN BY	DATE	QSFP+ 1X1 CAGE ASSEMBLY WITH SPRING FINGER TYPE				
∇	= 0		3 PLACES \pm		SJKG	2016/06/23					
∇	= 0		2 PLACES \pm 0.13		CHKD BY	DATE	PRODUCT CUSTOMER DRAWING				
∇	= 0		1 PLACE \pm 0.25		DSUN15	2017/06/02					
∇	= 0	0 PLACES \pm		APPR BY	DATE	SERIES MATERIAL NUMBER CUSTOMER 74750 SEE SHEET 5, 6 & 7 GENERAL MARKET					
∇	= 0	DRAFT WHERE APPLICABLE MUST REMAIN WITHIN DIMENSIONS		RCHEN08	2017/06/05						
∇	= 0	DRAFT WHERE APPLICABLE MUST REMAIN WITHIN DIMENSIONS		DRAWING SIZE	THIRD ANGLE PROJECTION	DOCUMENT NUMBER DOC TYPE DOC PART SHEET NUMBER 747500021 PSD ASY 9 OF 12					
∇	= 0			D							

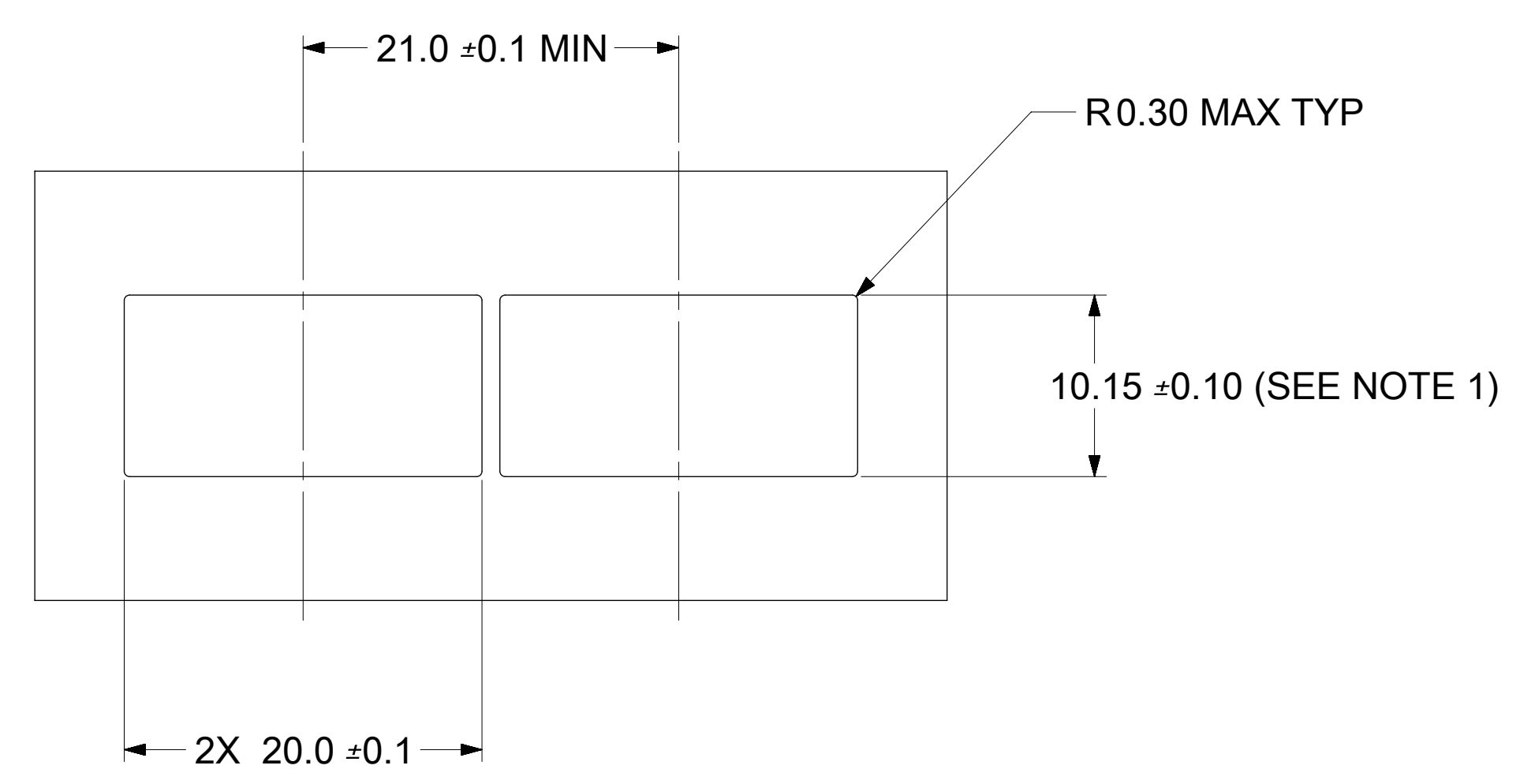
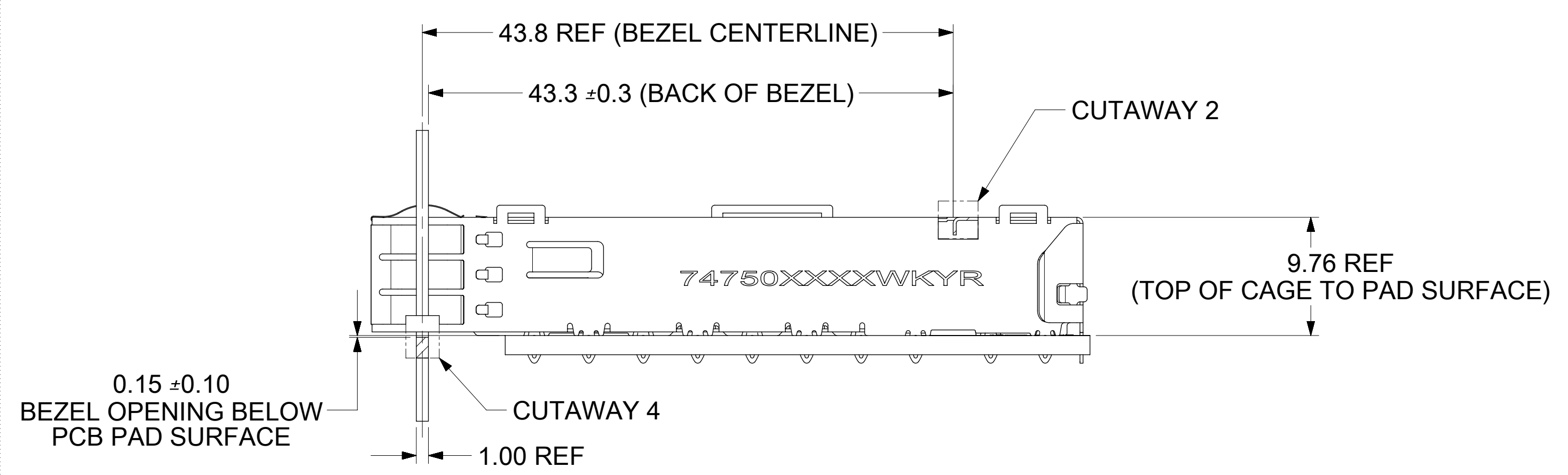
RELEASE STATUS	P1	RELEASE DATE	28.09.2017	09:26:03
----------------	----	--------------	------------	----------

BOARD POSITION AND BEZEL DIMENSIONS FOR BELLY TO BELLY MOUNTING



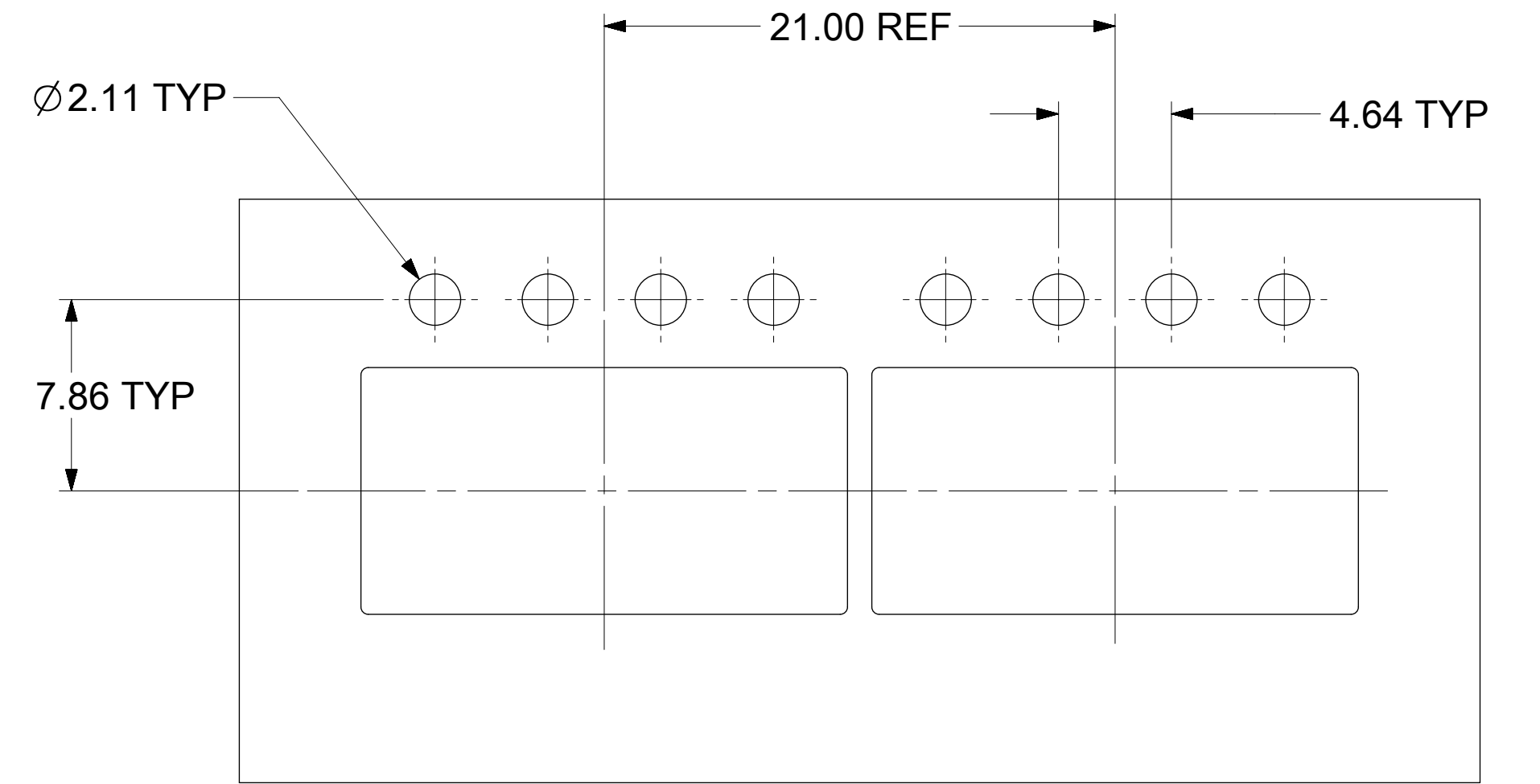
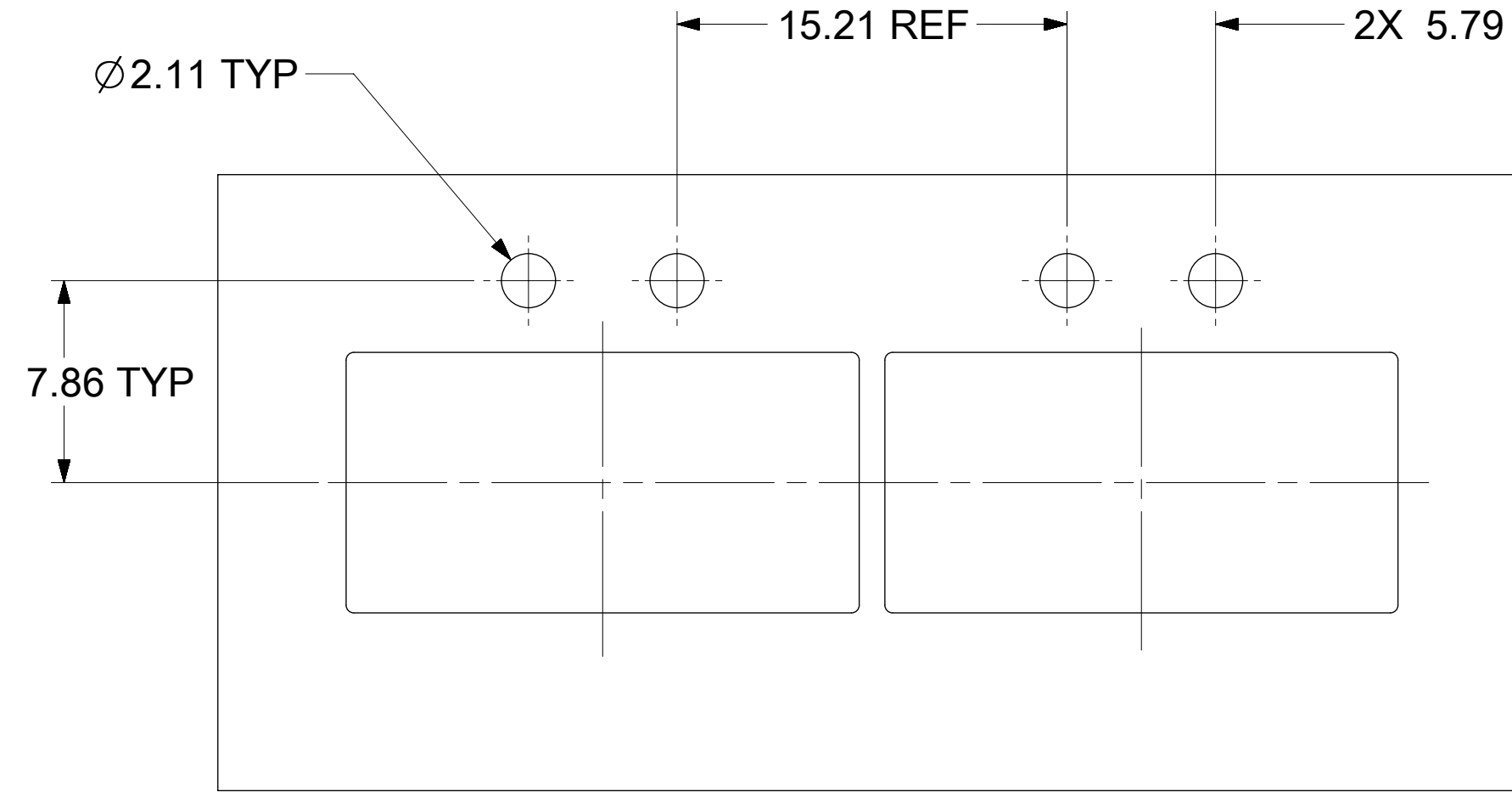
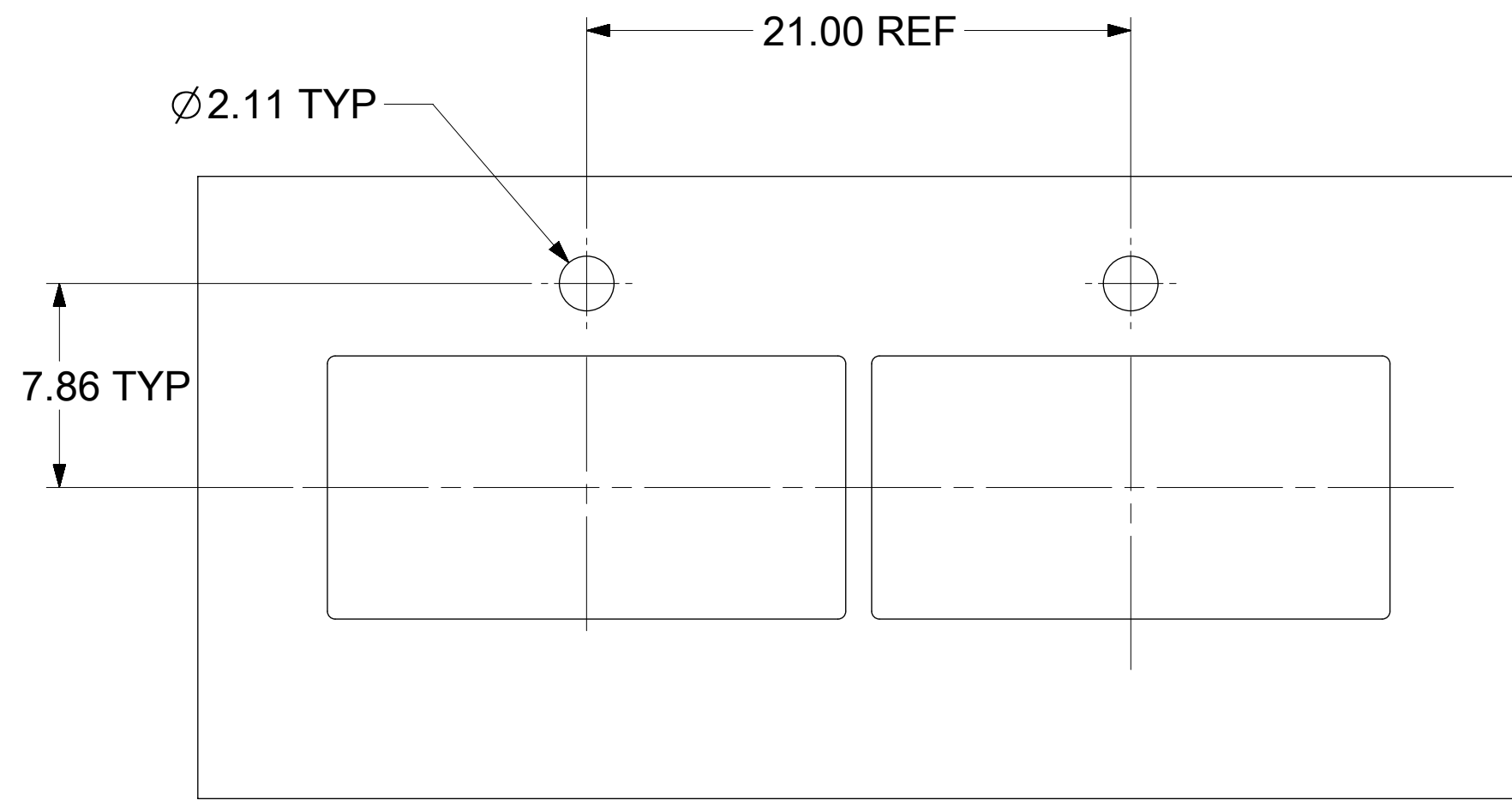
NOTE:
 1. PCB THICKNESS VARIATION MUST BE CONSIDERED WHEN DETERMINING BEZEL OPENING, SIZE, AND LOCATION.
 2. SEE QSFP MSA SPECIFICATION FOR BEZEL LOCATION TOLERANCE.

BOARD POSITION AND BEZEL DIMENSIONS FOR SINGLE SIDE MOUNTING



THIS DRAWING CONTAINS INFORMATION THAT IS PROPRIETARY TO MOLEX ELECTRONIC TECHNOLOGIES, LLC AND SHOULD NOT BE USED WITHOUT WRITTEN PERMISSION											
QUALITY SYMBOLS	DRWN BY		DATE		DIMENSION UNITS		SCALE				
	SJKG		2016/06/23		mm						
GENERAL TOLERANCES (UNLESS SPECIFIED)		CHKD BY		DATE		APPR BY		DATE		SERIES	
ANGULAR TOL ± 1.0 °		DSUN15		2017/06/02		RCHEN08		2017/06/05		MATERIAL NUMBER	
4 PLACES ±		2 PLACES ± 0.13		1 PLACE ± 0.25		0 PLACES ±		DRAFT WHERE APPLICABLE MUST REMAIN WITHIN DIMENSIONS		CUSTOMER	
DRAFT WHERE APPLICABLE MUST REMAIN WITHIN DIMENSIONS		DRAWING SIZE		THIRD ANGLE PROJECTION		74750		SEE SHEET 5, 6 & 7		GENERAL MARKET	
D		D		D		747500021		PSD		10 OF 12	

LIGHT PIPE CUTOUT DIMENSIONS



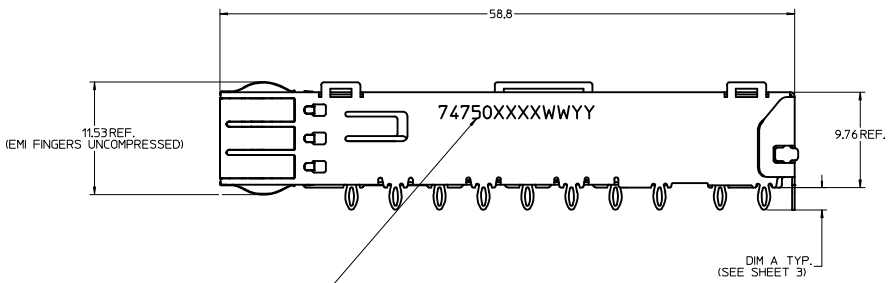
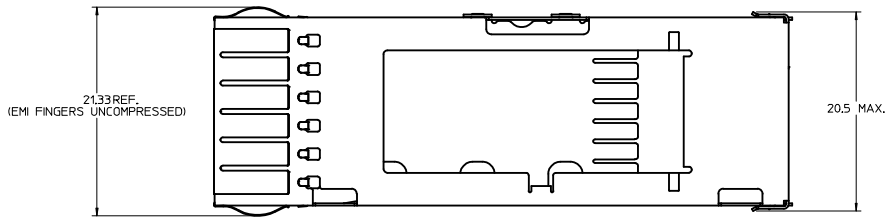
QUALITY SYMBOLS = 0 = 0 = 0 = 0 = 0 = 0 = 0 = 0	THIS DRAWING CONTAINS INFORMATION THAT IS PROPRIETARY TO MOLEX ELECTRONIC TECHNOLOGIES, LLC AND SHOULD NOT BE USED WITHOUT WRITTEN PERMISSION									
	SEE REVISION TABLE		GENERAL TOLERANCES (UNLESS SPECIFIED)		DIMENSION UNITS		SCALE			
	EC NO: 122627		ANGULAR TOL ± 1.0 °		mm					
	DRWN: MKEMPEGOWDA		4 PLACES ±		DRWN BY		DATE		QSFP+ 1X1 CAGE ASSEMBLY WITH SPRING FINGER TYPE	
	CHKD: ELIU08		3 PLACES ±		SJKG		2016/06/23			
	REV APPR: RCHEN08		2 PLACES ± 0.13		CHKD BY		DATE		PRODUCT CUSTOMER DRAWING	
			1 PLACE ± 0.25		DSUN15		2017/06/02			
			0 PLACES ±		APPR BY		DATE		SERIES MATERIAL NUMBER CUSTOMER 74750 SEE SHEET 5, 6 & 7 GENERAL MARKET	
			DRAFT WHERE APPLICABLE MUST REMAIN WITHIN DIMENSIONS		RCHEN08		2017/06/05			
					DRAWING SIZE		THIRD ANGLE PROJECTION		DOCUMENT NUMBER DOC TYPE DOC PART SHEET NUMBER 747500021 PSD ASY 11 OF 12	
				D						

REV	DATE	DESCRIPTION
A	2007/07/23	1) INITAL RELEASE
B	2007/08/06	1)CHANGED ALL TANGENT LINES FROM DASHED LINES TO SOLID LINES
C	2007/08/10	1) ADDED COMPONENT P/N COLUMN TO TABLE 2) ADDED "COMPONENT" TO NOTE IN BOTTOM VIEW ON SHEET 1 3) CHANGED TEXT IN MATERIAL NO. SECTION OF TITLE BLOCK TO READ "SEE TABLE"
D	2008/07/10	1) REMOVED COMMENTS FROM TABLE ON SHEET 1 2) ADDED "HOLES OPTIONAL" NOTE TO PCB LAYOUT ON SHEET 2 AND SHEET 3 3) ADDED 747500024 TO TABLE ON SHEET 1 AS WELL AS ISO VIEW 4) UPDATED "COMPONENT PART NUMBER AND DATE CODE" NOTE ON SHEET 1
E	2008/12/16	1) 20.4 DIMENSION WAS 20.38 REF. 2) 58.8 DIMENSION WAS 58.80 REF. 3) 2.28 TYP. DIMENSION WAS 2.28 REF. 4) 15.4 DIMENSION WAS 15.40 REF.
F	2009/04/13	1) REVISED COMPONENT P/N FOR MOLEX P/N 747500024 (CHANGED FROM 747540104 TO 747500104)
G	2010/10/29	1) 20.5 MAX DIMENSION WAS 20.4 2) 19.2 MAX DIMENSION WAS 16.2 MAX
H	2011/04/05	1) ADDED PRINTED DATE CODE TO LEFT SIDE OF CAGE AND ASSOCIATED NOTES. 2) ADDED CUTAWAY 1 AND CRITICAL TO FUNCTION DIMENSION 29.88 <input checked="" type="checkbox"/> 3) REMOVED 74750 FROM BOTTOM OF CAGE, SHEET 1. 4) UPDATED RoHS NOTE (NOTE 5) TO "LEAD FREE, NO RoHS EXEMPTIONS" ON SHEET 1. 5) ADDED END VIEW, SHEET 1.
I	2012/04/13	1) ADDED 747500012 TO P/N TABLE, SHEET 1. 2) UPDATED BELLY-TO-BELLY CAGE VIEW, SHEET 3. 3) ADDED BELLY-TO-BELLY BEZEL AND DIMENSIONS, SHEET 3.
J	2013/01/10	1) ADDED 747500057 AND 747500058 INTO P/N TABLE, SHEET 3. 2) REARRANGE EACH SHEET
K	2013/04/09	1) ADDED P/N 747500062 TO CHART ON PAGE 3. 2) UPDATED DIMENSION 9.77 TO 9.76 BY CORRECTING PLACEMENT ON VIEWS SHEET 6.
L	2014/12/11	1) ADDED P/N 747501586 AND ISO VIEW TO SHEET 3.
M	2017/05/31	REMASTERED FROM SD-74750-0021 REV_L TO 747500021 PDD ASY. COMBINED SD-74750-0070, 0092, 1100, & 1140 WITH 747500021 PDD ASY. SHEET 6: G06: ADDED NEW FG 747500059 TO P/N TABLE
M1	2017/06/08	CHANGED THE DOCUMENT TYPE FROM RSD TO SD
N	2017/09/27	SHEET 6: G06: ADDED NEW P/N 747500063 TO P/N TABLE

QUALITY SYMBOLS		THIS DRAWING CONTAINS INFORMATION THAT IS PROPRIETARY TO MOLEX ELECTRONIC TECHNOLOGIES, LLC AND SHOULD NOT BE USED WITHOUT WRITTEN PERMISSION										
	= 0	SEE REVISION TABLE	GENERAL TOLERANCES (UNLESS SPECIFIED)		DIMENSION UNITS	SCALE					QSFP+ 1X1 CAGE ASSEMBLY WITH SPRING FINGER TYPE	
	= 0		ANGULAR TOL ± 1.0 °		mm							
	= 0		4 PLACES ±		DRWN BY	DATE						
	= 0		3 PLACES ±		SJKG	2016/06/23	PRODUCT CUSTOMER DRAWING		SERIES: 74750 MATERIAL NUMBER: SEE SHEET 5, 6 & 7 CUSTOMER: GENERAL MARKET			
	= 0		2 PLACES ± 0.13		CHKD BY	DATE	DOCUMENT NUMBER: 747500021 DOC TYPE: PSD DOC PART: ASY SHEET NUMBER: 12 OF 12					
	= 0		1 PLACE ± 0.25		DSUN15	2017/06/02	DRAWING SIZE: D		THIRD ANGLE PROJECTION			
	= 0		0 PLACES ±		APPR BY	DATE	RCHEN08		2017/06/05			
	= 0				DRAFT WHERE APPLICABLE MUST REMAIN WITHIN DIMENSIONS							
	= 0											
	= 0											

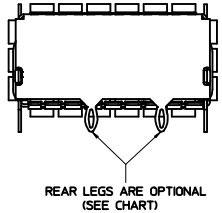
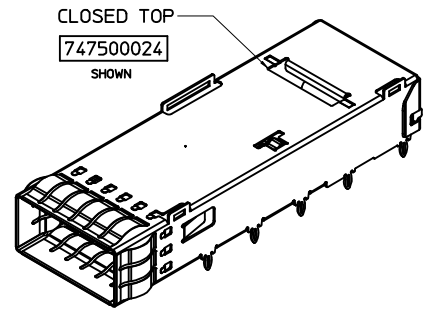
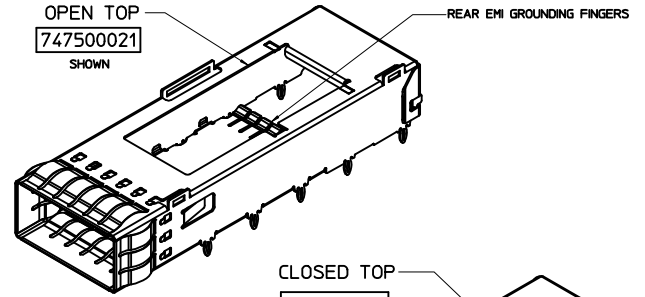
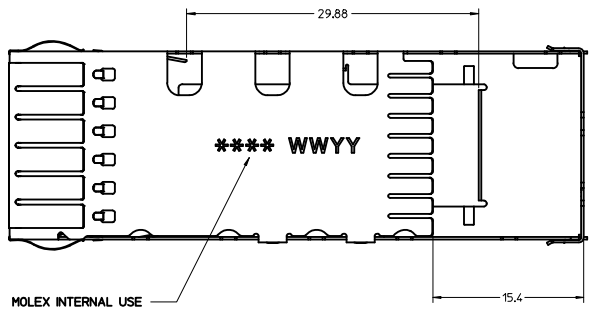
CAGE DETAILS

(APPLIES TO ALL CAGES IN THIS DRAWING)



PART NO. AND WEEK/YEAR DATE CODE TO BE PRINTED ON SIDE OF COMPLETED CAGE ASSEMBLY AS SHOWN.

WEEK/YEAR DATE CODE TABLE	
WW	01 THRU 52 EXAMPLE: 01 = FIRST WEEK OF YEAR 52 = LAST WEEK OF YEAR
YY	11, 12, 13 ETC. EXAMPLE: YEAR 2013 = 13

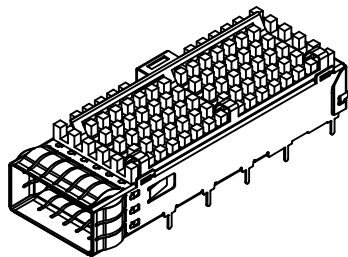
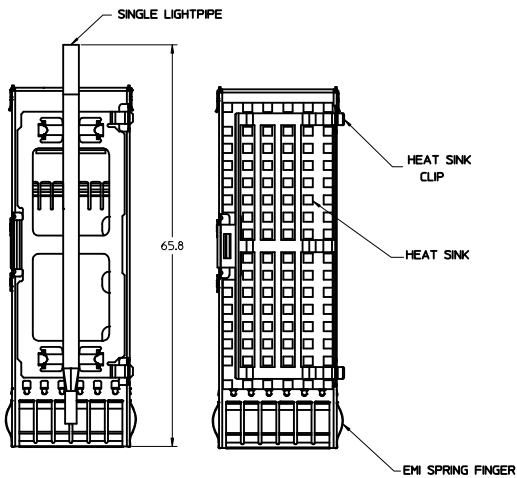


NOTES:

- PRESS FIT LEGS 2.28 / 3.05 mm LONG
- SOLDER POST LEGS 1.90 / 2.90 mm LONG
- SINGLE SIDED BOARD THICKNESS
NOMINAL: 1.60
MINIMUM: 1.44
BELLY TO BELLY BOARD THICKNESS
NOMINAL: 2.30
MINIMUM: 2.07
- MATERIAL: COPPER ALLOY (PLATED PRIOR TO CUTTING AND FORMING)
CAGE: 0.25 mm THICK COPPER ALLOY, NICKEL PLATED OR TIN
SPRING FINGER: 0.08 mm THICK COPPER ALLOY, NICKEL PLATED
HEAT SINK CLIP: STAINLESS STEEL
LIGHT PIPES: POLYCARBONATE (UL 94-V0 RATED)
HEATSINKS: ANNOXIDIZED ALUMINUM
- REFERENCE DOCUMENTS: PRODUCT SPECIFICATION: QSFP MSA
- CUSTOM HEATSHINKS AVAILABLE UPON REQUEST
- QSFP+ ASSEMBLES ALSO AVAILABLE IN 1X2 (74767 SERIES), 1X3 (74768 SERIES), 1X4 (74769 SERIES) AND 1X6 (74771 SERIES).
- PACKAGED IN TRAY.
- NO RoHS EXEMPTIONS.

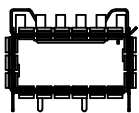
SEE REVISION SHEET EC NO: CPG2015-1999 DRAWN: ERWIN 2014/10/13 CHECKED: GABRIELLA 2014/10/13 APPROVED: BREED 2014/10/17 REV DESCRIPTION	QUALITY SYMBOLS ∇=0 ∇=0 ∇=0		GENERAL TOLERANCES (UNLESS SPECIFIED) mm INCH 4 PLACES ± --- ± --- 3 PLACES ± --- ± --- 2 PLACES ± 0.13 ± --- 1 PLACE ± 0.25 ± --- 0 PLACE ± --- ± --- ANGULAR ± 1 ° DRAFT WHERE APPLICABLE MUST REMAIN WITHIN DIMENSIONS		DIMENSION STYLE MM ONLY DRAWN BY DATE CHIRSCHY 2007/07/23 CHECKED BY DATE BRUSSELL 2007/07/23 APPROVED BY DATE RMAHMOOD 2010/11/01 MATERIAL NO. SEE SHEET 3 DOCUMENT NO. SD-74750-0021		SCALE 4:1 DESIGN UNITS METRIC THIRD ANGLE PROJECTION		TITLE QSFP+ CAGE ASSEMBLY WITH SPRING FINGERS		SHEET NO. 1 OF 8	
	THIS DRAWING CONTAINS INFORMATION THAT IS PROPRIETARY TO MOLEX INCORPORATED AND SHOULD NOT BE USED WITHOUT WRITTEN PERMISSION											
	SIZE D											

CAGE ASSEMBLY OPTIONS

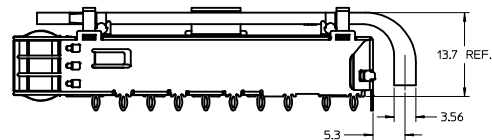
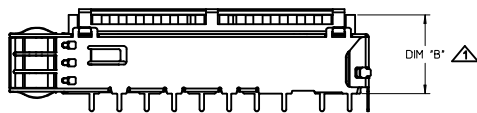
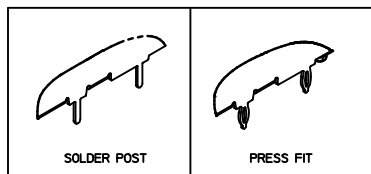


HEATSHINK AND LIGHT PIPE OPTIONS

<p>HEAT SINK ONLY</p>	<p>SINGLE LIGHT PIPE</p> <p>MOLEX P/N: 747500030</p>
<p>DUAL LIGHT PIPE</p> <p>MOLEX P/N: 747500031</p>	



LEG TYPE OPTIONS

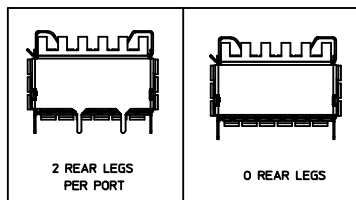


HEATSINK HEIGHT OPTIONS

OVERALL HEATSINK HEIGHT	DIM B	TOL
PCI	13.7	+0.25
SAN	16.0	-0.73
NET	23.0	

HEIGHT OF HEATSINK WITH MODULE INSERTED.
DIMENSION MAY BE LESS DUE TO MODULE AND HEATSINK VARIATIONS.

REAR LEG OPTIONS

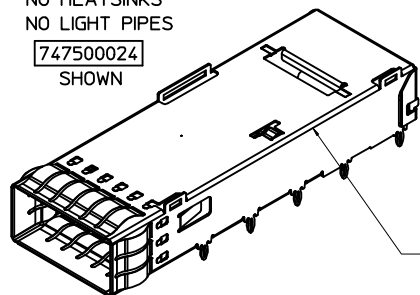


SEE REVISION SHEET EEC NO: CPG2015-1999 DRAWN: ERWIN CHKD: GARBELLA APPROVED: BREED	2014/10/13 2014/10/13 2014/10/17	QUALITY SYMBOLS ∇=0 ∇=0 ∇=0	GENERAL TOLERANCES (UNLESS SPECIFIED): DIM INCH 4 PLACES ± --- ± --- 3 PLACES ± --- ± --- 2 PLACES ± 0.13 ± --- 1 PLACE ± 0.25 ± --- 0 PLACE ± --- ± --- ANGULAR ± 1 ° DRAFT WHERE APPLICABLE MUST REMAIN WITHIN DIMENSIONS	DIMENSION STYLE MM ONLY DRAWN BY: CHIRSCHY DATE: 2007/07/23 CHECKED BY: BRUSSELL DATE: 2007/07/23 APPROVED BY: RMAHMOOD DATE: 2010/11/01	SCALE: 2.5:1 DESIGN UNITS: METRIC THIRD ANGLE PROJECTION	TITLE: QSFP+ CAGE ASSEMBLY WITH SPRING FINGERS	
	MATERIAL NO.		SEE SHEET 3		DOCUMENT NO. SD-74750-0021	SHEET NO. 2 OF 8	
	THIS DRAWING CONTAINS INFORMATION THAT IS PROPRIETARY TO MOLEX INCORPORATED AND SHOULD NOT BE USED WITHOUT WRITTEN PERMISSION						
	moxlex						

PART NUMBER SELECTION

NO HEATSINKS
NO LIGHT PIPES

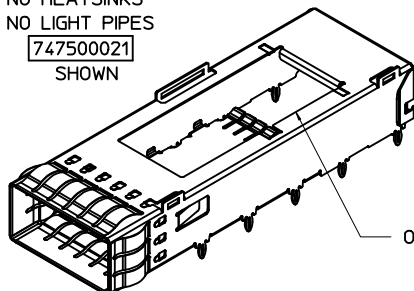
747500024
SHOWN



CLOSED TOP

NO HEATSINKS
NO LIGHT PIPES

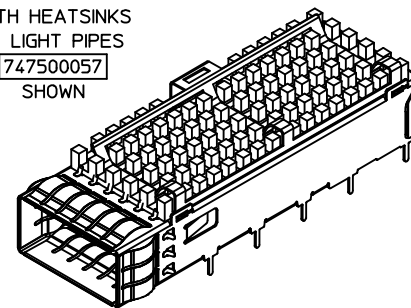
747500021
SHOWN



OPEN TOP

WITH HEATSINKS
NO LIGHT PIPES

747500057
SHOWN



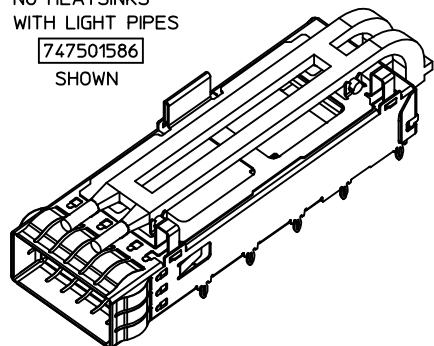
MOLEX P/N		# OF REAR LEGS PER PORT	DIM A	PLATING
LEG TYPE PRESS FIT	LEG TYPE SOLDER POST			
747500024	---	2	2.28	NICKEL
---	747500051	2	1.9	NICKEL
---	747500053	2	1.9	MATTE TIN
---	747500056	2	1.9	BRIGHT TIN

MOLEX P/N		# OF REAR LEGS PER PORT	DIM A	PLATING
LEG TYPE PRESS FIT	LEG TYPE SOLDER POST			
747500012	---	2	3.05	NICKEL
747500021	---	2	2.28	NICKEL
747500023	---	0	2.28	NICKEL
---	747500058	2	2.90	NICKEL
---	747500062 *	2	2.90	NICKEL

MOLEX P/N		# OF REAR LEGS PER PORT	DIM A	DIM B	PLATING
LEG TYPE PRESS FIT	LEG TYPE SOLDER POST				
---	747500057	2	2.9	13.7	NICKEL
747500040	---	2	2.28	16.0	NICKEL
747500042	---	0	2.28	16.0	NICKEL
747500044	---	2	2.28	13.7	NICKEL
747500046	---	2	2.28	23.0	NICKEL

NO HEATSINKS
WITH LIGHT PIPES

747501586
SHOWN



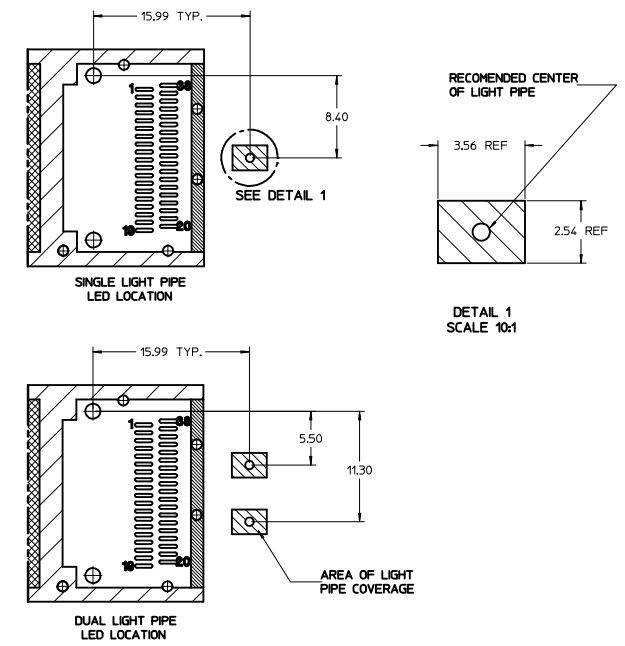
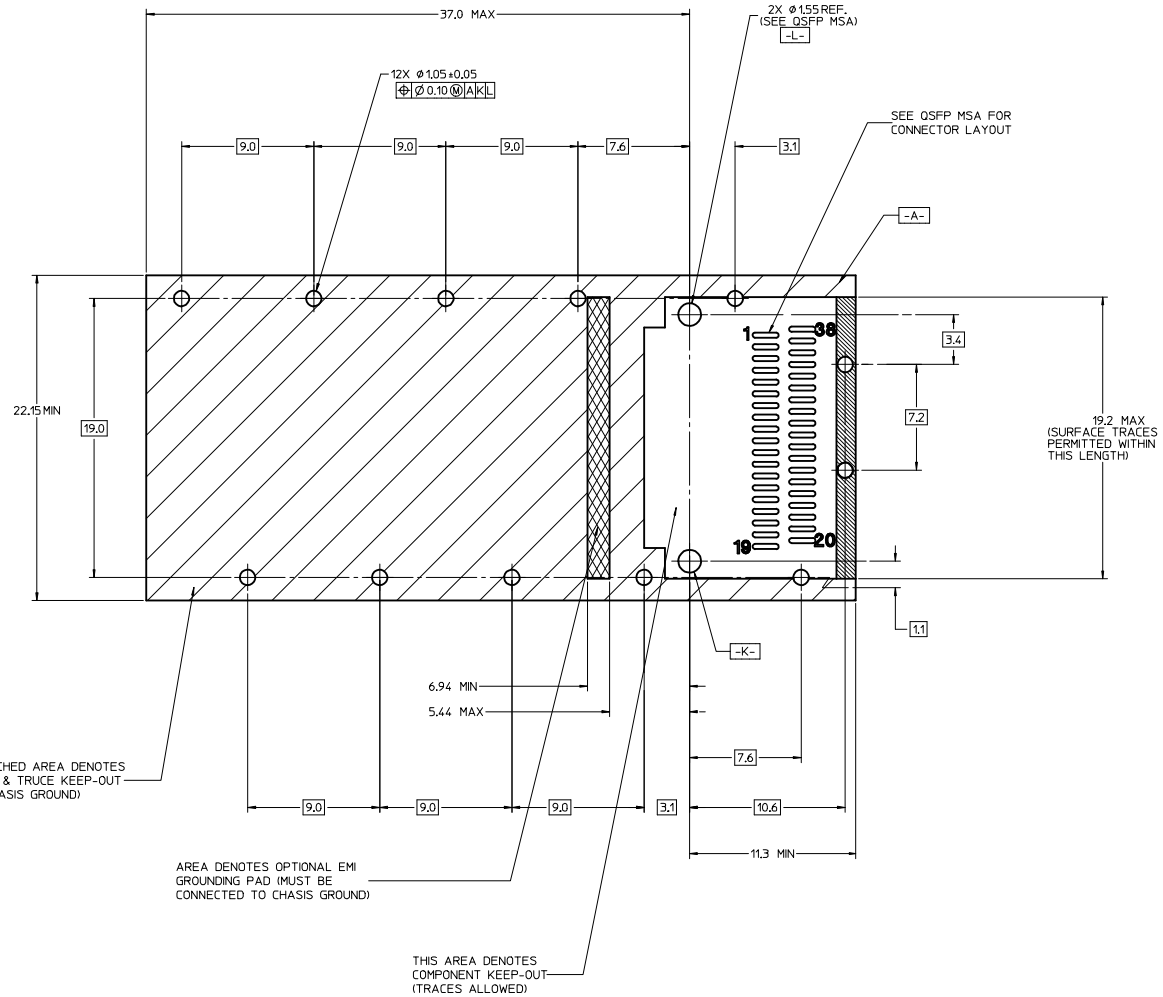
MOLEX ASSEMBLY P/N	MOLEX P/N		LIGHT PIPE ASSEMBLY P/N	#OF REAR LEGS PER PORT	DIM A	PLATING
	LEG TYPE PRESS FIT	LEG TYPE SOLDER POST				
747501586	747500024	---	747500031	2	2.28	NICKEL

* HEATSINK/LIGHT PIPE CLIP FEATURE REMOVED.

SEE REVISION SHEET IEC NO. CPG2015-1999 DRAWN: LERMIN 2014/10/13 CHECKED: GARDELLA 2014/10/13 APPR: BREED 2014/10/17	QUALITY SYMBOLS ∇=0 ∇=0 ∇=0	GENERAL TOLERANCES (UNLESS SPECIFIED)		DIMENSION STYLE MM ONLY		SCALE 3:1	DESIGN UNITS METRIC	THIRD ANGLE PROJECTION	
		4 PLACES ± mm ± INCH		DRAWN BY CHIRSCHY		DATE 2007/07/23		TITLE QSFP+ CAGE ASSEMBLY WITH SPRING FINGERS molex MATERIAL NO. SEE SHEET 3 DOCUMENT NO. SD-74750-0021 SHEET NO. 3 OF 8	
		3 PLACES ± 0.13 ± ---		CHECKED BY BRUSSELL		DATE 2007/07/23			
		2 PLACES ± 0.25 ± ---		APPROVED BY RMAHMOOD		DATE 2010/11/01			
1 PLACE ± --- ± ---		0 PLACE ± --- ± ---							
ANGULAR ± 1°				DRAFT WHERE APPLICABLE MUST REMAIN WITHIN DIMENSIONS					

PCB LAYOUT FOR SINGLE SIDED APPLICATIONS

FOR CAGE ASSEMBLIES WITH LIGHT PIPES

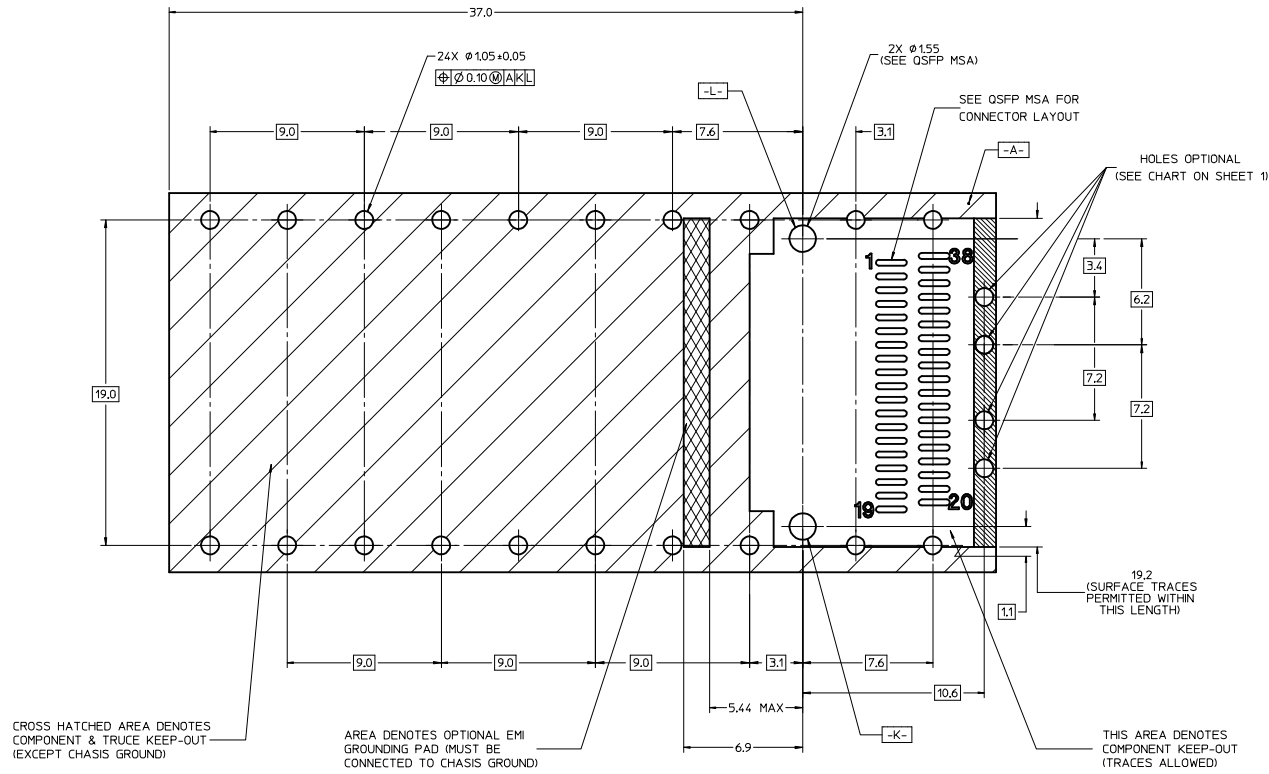


NOTES:

1. DATUM -A- IS TOP SURFACE OF HOST BOARD PER MSA
2. FINISHED HOLE SIZE (AFTER PLATING)
3. DATUM -K- IS HOST BOARD THRU HOLE #1 TO ACCEPT CONNECTOR GUIDE POST PER MSA
4. DATUM -L- IS HOST BOARD THRU HOLE #2 TO ACCEPT CONNECTOR GUIDE POST PER MSA

SEE REVISION SHEET EC NO: CPG2015-1999 DRAWN BY: LERMIN CHYKOBARDILLA 2014/10/13 APPROVED BY: BREED 2014/10/17	QUALITY SYMBOLS	GENERAL TOLERANCES (UNLESS SPECIFIED)	DIMENSION STYLE	SCALE	DESIGN UNITS	THIRD ANGLE PROJECTION
	∇=0 ∇=0 ∇=0	mm INCH	MM ONLY	1:1	METRIC	CHIRSCY 2007/07/23 BRUSSELL 2007/07/23 RAHMOOD 2010/11/01
	4 PLACES ±--- 3 PLACES ±--- 2 PLACES ±0.13 1 PLACE ±0.25 0 PLACE ±---	ANGULAR ± 1 ° DRAFT WHERE APPLICABLE MUST REMAIN WITHIN DIMENSIONS	SEE SHEET 3	TITLE QSFP+ CAGE ASSEMBLY WITH SPRING FINGERS	MATERIAL NO. DOCUMENT NO. SD-74750-0021	SHEET NO. 4 OF 8
	THIS DRAWING CONTAINS INFORMATION THAT IS PROPRIETARY TO MOLEX INCORPORATED AND SHOULD NOT BE USED WITHOUT WRITTEN PERMISSION					

PCB LAYOUT FOR BELLY-TO-BELLY APPLICATIONS



NOTE:
FOR RECOMENDED CENTER
OF LIGHT PIPES,
SEE SHEET 4

NOTES:

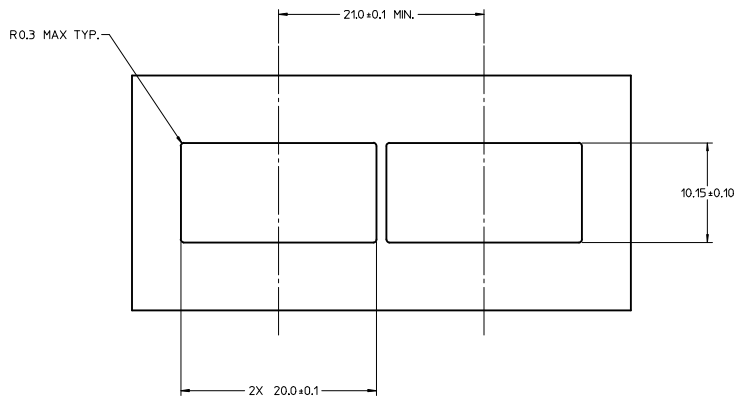
1. DATUM -A- IS TOP SURFACE OF HOST BOARD PER MSA.
2. FINISHED HOLE SIZE (AFTER PLATING).
3. DATUM -K- IS HOST BOARD THRU HOLE #1 TO ACCEPT CONNECTOR GUIDE POST PER MSA.
4. DATUM -L- IS HOST BOARD THRU HOLE #2 TO ACCEPT CONNECTOR GUIDE POST PER MSA.

<p>SEE REVISION SHEET EC NO: CPG2015-1999 DRAWN BY: LERMIN CHKD BY: GABRIELLA APPROVED: BREED</p>	<p>2014/10/13 2014/10/13 2014/10/17</p>	<p>QUALITY SYMBOLS ▽=0 ▽=0 ▽=0</p>	<p>GENERAL TOLERANCES (UNLESS SPECIFIED)</p>		<p>DIMENSION STYLE MM ONLY</p>	<p>SCALE 1:1</p>	<p>DESIGN UNITS METRIC</p>	<p>THIRD ANGLE PROJECTION</p>											
			<table border="1" style="width: 100%; border-collapse: collapse;"> <tr> <th style="width: 50%;">mm</th> <th style="width: 50%;">INCH</th> </tr> <tr> <td>4 PLACES ±---</td> <td>±---</td> </tr> <tr> <td>3 PLACES ±---</td> <td>±---</td> </tr> <tr> <td>2 PLACES ±0.13</td> <td>±---</td> </tr> <tr> <td>1 PLACE ±0.25</td> <td>±---</td> </tr> <tr> <td>0 PLACE ±---</td> <td>±---</td> </tr> </table>	mm	INCH	4 PLACES ±---	±---	3 PLACES ±---	±---	2 PLACES ±0.13	±---	1 PLACE ±0.25	±---	0 PLACE ±---	±---	<p>DRAWN BY: CHIRSCHY DATE: 2007/07/23 CHECKED BY: DATE: BRUSSELL DATE: 2007/07/23 APPROVED BY: DATE: RAHMOOD DATE: 2010/11/01</p>			
			mm	INCH															
4 PLACES ±---	±---																		
3 PLACES ±---	±---																		
2 PLACES ±0.13	±---																		
1 PLACE ±0.25	±---																		
0 PLACE ±---	±---																		
<p>ANGULAR ± 1 ° DRAFT WHERE APPLICABLE MUST REMAIN WITHIN DIMENSIONS</p>			<p>WATERL NO: SEE SHEET 3</p>		<p>DOCUMENT NO: SD-74750-0021</p>		<p>SHEET NO: 5 OF 8</p>												

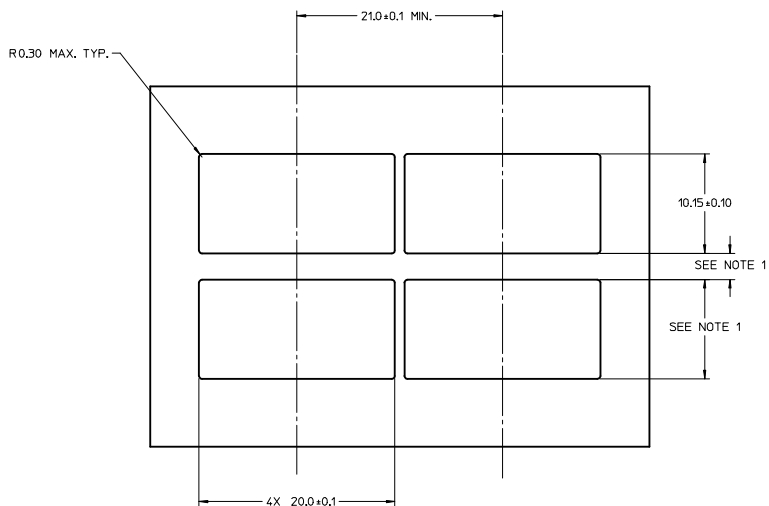
molex

THIS DRAWING CONTAINS INFORMATION THAT IS PROPRIETARY TO MOLEX INCORPORATED AND SHOULD NOT BE USED WITHOUT WRITTEN PERMISSION

BEZEL AND BOARD POSITION DIMENSIONS
FOR SINGLE SIDE MOUNTING



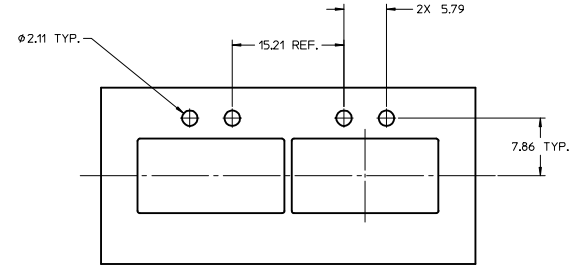
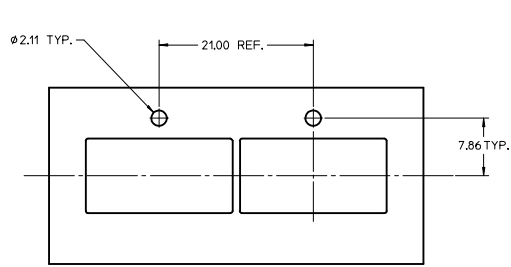
BEZEL AND BOARD POSITION DIMENSIONS
FOR BELLY-TO-BELLY MOUNTING



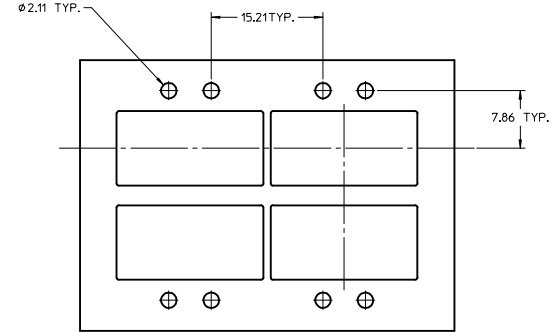
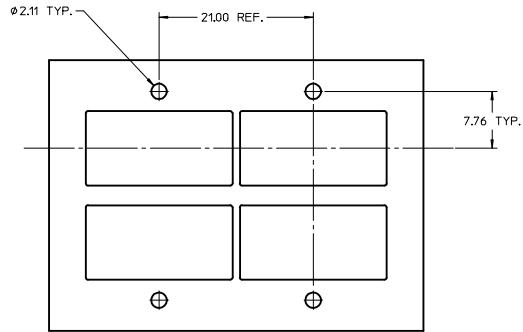
NOTE:
1. SEE QSFP MSA SPECIFICATION FOR BEZEL LOCATION TOLERANCE.
2. PCB THICKNESS VARIATION MUST BE CONSIDERED WHEN DETERMINING BEZEL OPENING, SIZE, AND LOCATION.

SEE REVISION SHEET IEC NO: CPG2015-1999 DRAWN: LERMIN 2014/10/13 CHECKED: GARDELLA 2014/10/13 APPR: BREED 2014/10/17	QUALITY SYMBOLS	GENERAL TOLERANCES (UNLESS SPECIFIED)	DIMENSION STYLE	SCALE	DESIGN UNITS	THIRD ANGLE PROJECTION
	▽=0	4 PLACES ± mm ± INCH	MM ONLY	1:1	METRIC	☉
	▽=0	3 PLACES ± 0.13 ± ---	DRAWN BY DATE	CHIRSCHY 2007/07/23	TITLE	
	▽=0	2 PLACES ± 0.25 ± ---	CHECKED BY DATE	BRUSSELL 2007/07/23	QSFP+ CAGE ASSEMBLY WITH SPRING FINGERS	
		ANGULAR ± 1 °	APPROVED BY DATE	RM AHMOOD 2010/11/01	DOCUMENT NO.	
		DRAFT WHERE APPLICABLE MUST REMAIN WITHIN DIMENSIONS	MATERIAL NO.	SEE SHEET 3	SD-74750-0021	SHEET NO. 6 OF 8
			THIS DRAWING CONTAINS INFORMATION THAT IS PROPRIETARY TO MOLEX INCORPORATED AND SHOULD NOT BE USED WITHOUT WRITTEN PERMISSION			

BEZEL LIGHT PIPE CUTOUT POSITION DIMENSIONS
FOR SINGLE SIDE MOUNTING



BEZEL LIGHT PIPE CUTOUT POSITION DIMENSIONS
FOR BELLY-TO-BELLY MOUNTING



SEE REVISION SHEET IEC NO. CPG2015-1999 DRAWN: LERMIN 2014/10/13 CHECKED: GARDELLA 2014/10/13 APPR: BREED 2014/10/17	QUALITY SYMBOLS	GENERAL TOLERANCES (UNLESS SPECIFIED)	DIMENSION STYLE	SCALE	DESIGN UNITS	THIRD ANGLE PROJECTION
	$\nabla=0$	mm INCH	MM ONLY	3:1	METRIC	
	$\nabla=0$	4 PLACES ± --- ± ---	DRAWN BY DATE	TITLE		
	$\nabla=0$	3 PLACES ± --- ± ---	CHIRSCHY 2007/07/23	QSFP+ CAGE ASSEMBLY WITH SPRING FINGERS		
	2 PLACES ± 0.13 ± ---	CHECKED BY DATE	molex			
	1 PLACE ± 0.25 ± ---	APPROVED BY DATE	DOCUMENT NO.			SHEET NO.
	0 PLACE ± --- ± ---	RAHMOOD 2010/11/01	SD-74750-0021			7 OF 8
	ANGULAR ± 1 °	MATERIAL NO.	SEE SHEET 3			
	DRAFT WHERE APPLICABLE MUST REMAIN WITHIN DIMENSIONS	SIZE	THIS DRAWING CONTAINS INFORMATION THAT IS PROPRIETARY TO MOLEX INCORPORATED AND SHOULD NOT BE USED WITHOUT WRITTEN PERMISSION			

DATE	REV	DESCRIPTION
2007/07/23	A	INITAL RELEASE
2007/08/06	B	CHANGED ALL TANGENT LINES FROM DASHED LINES TO SOLID LINES
2007/08/10	C	1. ADDED COMPONENT P/N COLUMN TO TABLE 2. ADDED 'COMPONENT' TO NOTE IN BOTTOM VIEW ON SHEET 1 3. CHANGED TEXT IN MATERIAL NO. SECTION OF TITLE BLOCK TO READ 'SEE TABLE'
2008/07/10	D	1. REMOVED COMMENTS FROM TABLE ON SHEET 1 2. ADDED 'HOLES OPTIONAL' NOTE TO PCB LAYOUT ON SHEET 2 AND SHEET 3 3. ADDED 747500024 TO TABLE ON SHEET 1 AS WELL AS ISO VIEW 4. UPDATED 'COMPONENT PART NUMBER AND DATE CODE' NOTE ON SHEET 1
2008/12/16	E	1. 20.4 DIMENSION WAS 20.38 REF. 2. 58.8 DIMENSION WAS 58.80 REF. 3. 2.28 TYP. DIMENSION WAS 2.28 REF. 4. 15.4 DIMENSION WAS 15.40 REF.
2009/04/13	F	1. REVISED COMPONENT P/N FOR MOLEX P/N 747500024 (CHANGED FROM 747540104 TO 747500104)
2010/10/29	G	1. 20.5 MAX DIMENSION WAS 20.4 2. 19.2 MAX DIMENSION WAS 16.2 MAX
2011/04/05	H	1. ADDED PRINTED DATE CODE TO LEFT SIDE OF CAGE AND ASSOCIATED NOTES. 2. ADDED CUTAWAY 1 AND CRITICAL TO FUNCTION DIMENSION 29.88 ±0.15, SHEET 1. 3. REMOVED 74750 FROM BOTTOM OF CAGE, SHEET 1. 4. UPDATED RoHS NOTE (NOTE 5) TO 'LEAD FREE, NO RoHS EXEMPTIONS' ON SHEET 1. 5. ADDED END VIEW, SHEET 1.
2012/04/13	I	1. ADDED 747500012 TO P/N TABLE, SHEET 1. 2. UPDATED BELLY-TO-BELLY CAGE VIEW, SHEET 3. 3. ADDED BELLY-TO-BELLY BEZEL AND DIMENSIONS, SHEET 3.
2013/01/10	J	1. ADDED 747500057 AND 747500058 INTO P/N TABLE, SHEET 3. 2. REARRANGE EACH SHEET
2013/04/09	K	1. ADDED P/N 747500062 TO CHART ON PAGE 3. 2. UPDATED DIMENSION 9.77 TO 9.76 BY CORRECTING PLACEMENT ON VIEWS SHEET 6.
2014/10/13	L	1. ADDED P/N 747501586 AND ISO VIEW TO SHEET 3.

SEE REVISION SHEET EC NO: CPG2015-1999 DRAWN: ERWIN 2014/10/13 CHECKED: GABRIELLA 2014/10/13 APPROVED: BREED 2014/10/17 REV: DESCRIPTION	QUALITY SYMBOLS	GENERAL TOLERANCES (UNLESS SPECIFIED)	DIMENSION STYLE	SCALE	DESIGN UNITS	THIRD ANGLE PROJECTION	
	▽=0	mm INCH	MM ONLY	1:1	METRIC	☉	
	▽=0	4 PLACES ± --- ± --- 3 PLACES ± --- ± --- 2 PLACES ± 0.13 ± --- 1 PLACE ± 0.25 ± --- 0 PLACE ± --- ± ---	DRAWN BY DATE CHIRSCHY 2007/07/23 CHECKED BY DATE BRUSSELL 2007/07/23 APPROVED BY DATE RMAHMOOD 2010/11/01	TITLE	QSFP+ CAGE ASSEMBLY WITH SPRING FINGERS		
	▽=0	ANGULAR ± 1 ° DRAFT WHERE APPLICABLE MUST REMAIN WITHIN DIMENSIONS	MATERIAL NO. DOCUMENT NO.	SEE SHEET 3 SD-74750-0021			
SIZE			THIS DRAWING CONTAINS INFORMATION THAT IS PROPRIETARY TO MOLEX INCORPORATED AND SHOULD NOT BE USED WITHOUT WRITTEN PERMISSION			SHEET NO. 8 OF 8	