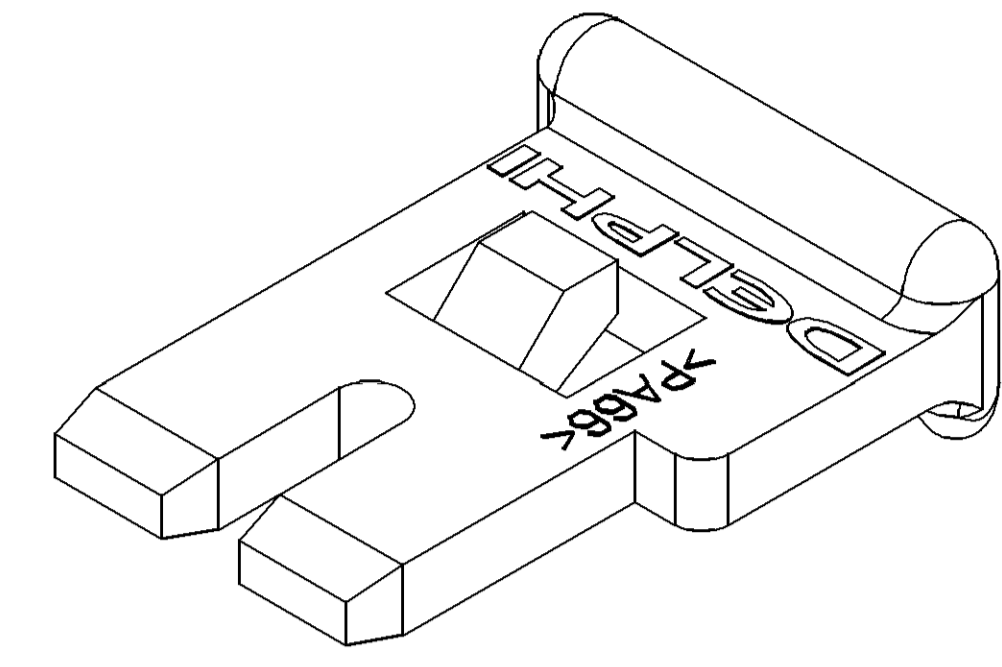
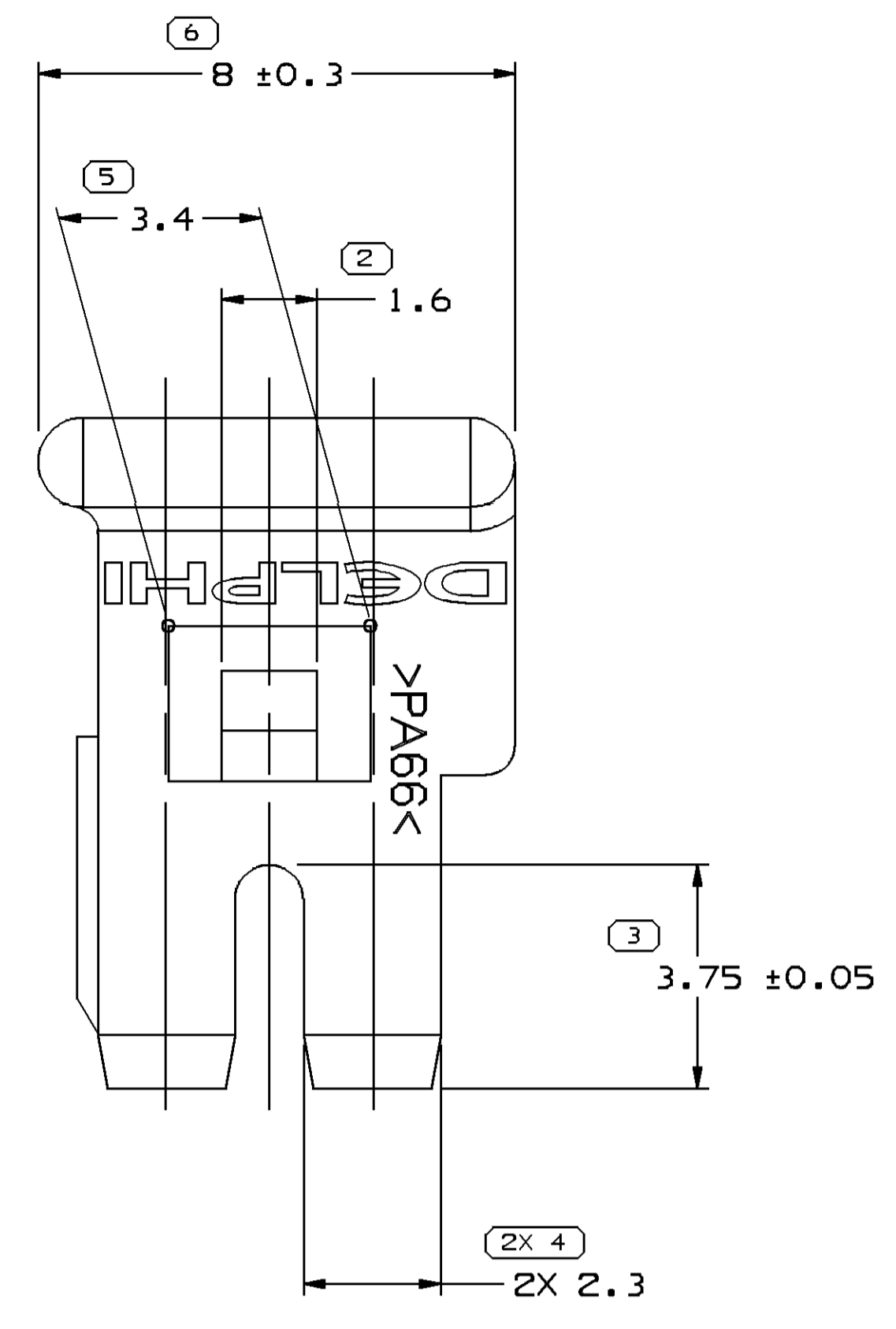
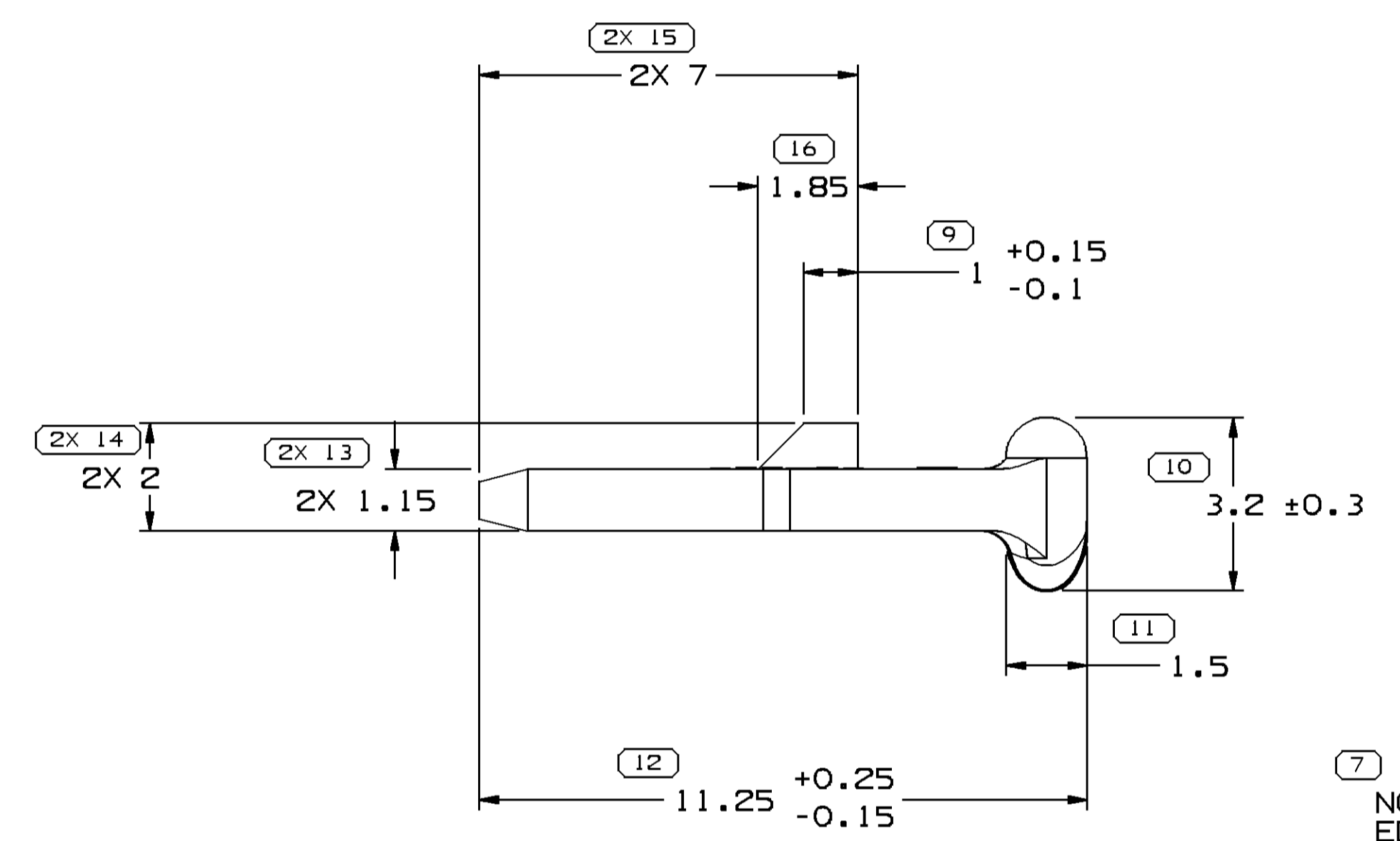
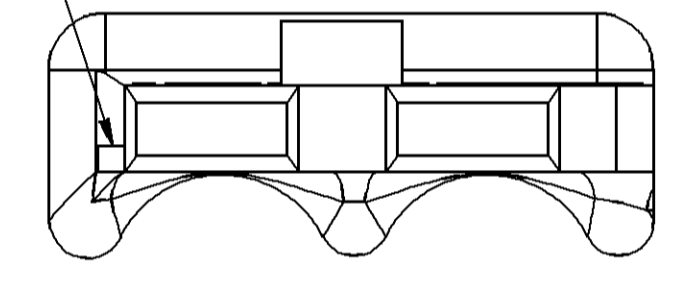


SYMBOL DEFINITION		TOTAL NO OF INSPECTIONS REQUIRED	MISSING SYMBOLS
A DIMENSION WITHOUT AN INSPECTION REPORT SYMBOL DOES NOT REQUIRE INSPECTION. IT MAY BE CONTROLLED ON THE INDIVIDUAL COMPONENT DRAWING.		22	NO MISSING SYMBOL NUMBER
		LAST NO. USED	17

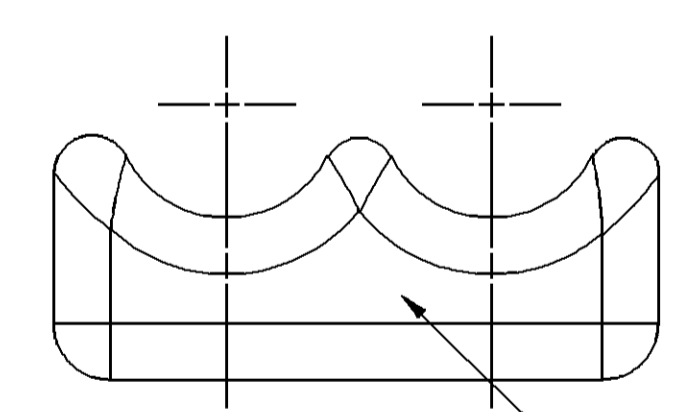
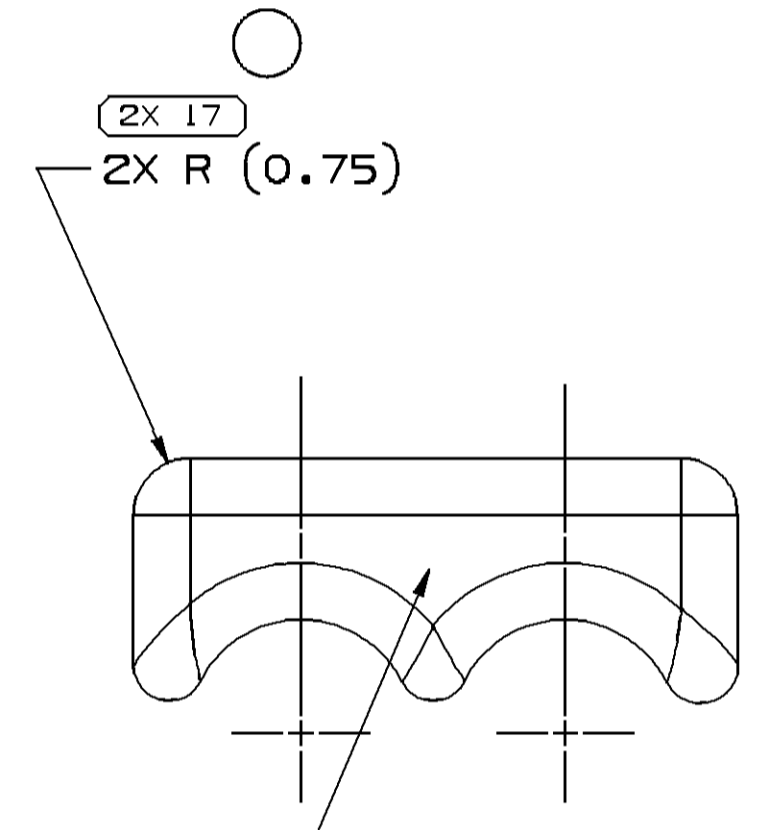
DWS STATUS		REVISION HISTORY		AUTH	DR	APVD	APVD		
DATE	STG	REV	IN/P	CHG	ZONE				
16AP02	R	B5	-	-		MAT'L SPEC WAS R0071769 P466 HS IN BRN LT, ADDED LABELS 13 PLCS1 AND ADDED DIM (2 PLCS)	223935	RVP/RVP	GM/C
12AU03	R	B6	-	-		UPDATED PDM ATTRIBUTES	244613	CMZ/CMZ	GM
040C03	R	B7	-	-		UPDATED PDM ATTRIBUTES	246963	HAM/HAM	TM
05JN12	R	BB	-	-		2X R (0.75) WAS 2X R 0.75 +1.45/-0.75 OPTIONAL DUE TO GATE AND UPDATED ALL REVISION SYMBOLS	418413	AHG/JVM	GEM



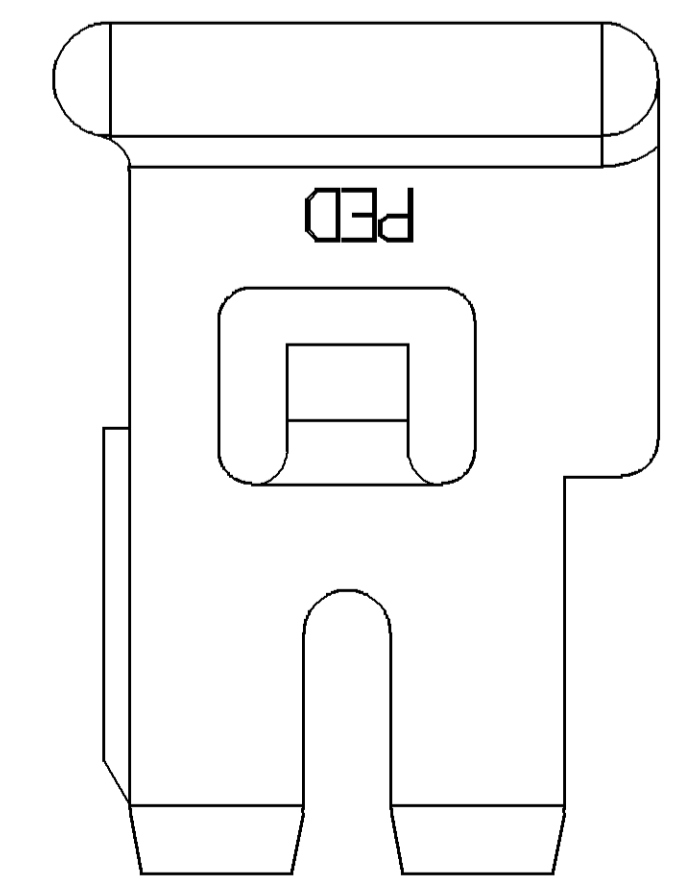
B RIB CAN BE VERTICALLY POSITIONED ANYWHERE ALONG THE 1.15 THICKNESS OF TPA FINGER.



7 NO GATES PROTUSIONS OR SHARP EDGES ALLOWED ON THIS SURFACE.



1 ANY GATES ON THIS SURFACE MUST NOT EXCEED HEIGHT OF 0.1 MM AND MUST BE SOFT TO THE OPERATOR CONTACT (NO SHARP EDGES OR POINTS ALLOWED).



OPTIONAL CONSTRUCTION

NOTES

- UNLESS OTHERWISE SPECIFIED AND/OR INDICATED: DIMENSIONS ARE TO FACE OF VIEW SHOWN AND AUTOMATICALLY ROUNDED BY COMPUTER FOR INSPECTION (SEE MATH MODEL FOR PRECISE DIMENSIONS). FOR ALL OTHER DIMENSIONS NOT SHOWN BUT REQUIRED FOR TOOL BUILD, SEE MATH MODEL FOR PRECISE TOOL PATH DATA.
- THIS PART IS NOT CONTROLLED FOR AUTOMATIC FEEDING.
- MATERIAL RECYCLING CODE PER ISO 11469. (2.3)X(0.1) CHARACTERS AS SHOWN TO BE LOCATED ON ANY EXTERIOR SURFACE. OPTIONAL CONSTRUCTION TO BE NO MATERIAL RECYCLING CODE.
- MATING COMPONENTS OR EQUIVALENT: CONNECTOR 12047662, 12047785
- (2.3)X(0.1) RAISED DELPHI CORPORATE BRAND TO BE LOCATED ON ANY EXTERIOR SURFACE, PREFERABLY VISIBLE AT FINAL ASSEMBLY. OPTIONAL CONSTRUCTION TO BE "PED" OR NO LOGO.
- THIS PRODUCT IS NOT CATEGORIZED AS AN APPEARANCE ITEM, MINOR IMPERFECTIONS INCLUDING, BUT NOT LIMITED TO, FLOW MARKS, COLOR BLEMISHES, GATE VESTIGE, AND SOFT FLASH THAT DO NOT AFFECT THE FIT, FORM, OR FUNCTION OF THE PART ARE PERMISSIBLE PER DPNP-4.7-CS-01.

DIMENSIONAL RANGE (MM)	TOLERANCE UNLESS OTHERWISE SPECIFIED	CHART E1
FROM > 0	> 20	> 30
TO	20	30
	30	70
	70	100
	100	150
	150	200
	200	250
	250	300
	300	400
	400	

PART DRAWING													
STILE	D												
VOLUME (OMP)	0.085												
DISTR CODE	D												
UNLESS OTHERWISE SPECIFIED													
THIS DOCUMENT IS IN ACCORDANCE WITH ASME Y14.5M-1994 AS MODIFIED BY THE 2003 DIMENSIONING AND TOLERANCING ADDENDUM-2003. SEPARATE PATTERNS OF FEATURES MAY BE BOMED SEPARATELY, REGARDLESS OF DATUM REFERENCES.													
ALL DIMENSIONS ARE IN MILLIMETERS													
REFERENCE													
<table border="1"> <tr> <th>DATE</th> <th>SCALE</th> <th>FRM NO</th> <th>SHEET NO</th> <th>REV</th> <th>IN/P</th> </tr> <tr> <td>A0</td> <td>10:1</td> <td>1</td> <td>1</td> <td>OF 1</td> <td>R</td> </tr> </table>		DATE	SCALE	FRM NO	SHEET NO	REV	IN/P	A0	10:1	1	1	OF 1	R
DATE	SCALE	FRM NO	SHEET NO	REV	IN/P								
A0	10:1	1	1	OF 1	R								

DELPHI
 DELPHI PACKARD ELECTRICAL/ELECTRONIC ARCHITECTURE
 WARREN, OH
 COPYRIGHT 1997 DELPHI CORPORATION AND/OR ITS AFFILIATES. ALL RIGHTS RESERVED.
 THIS DRAWING IS THE PROPERTY OF DELPHI CORPORATION. THE REPRODUCTION, DISTRIBUTION AND UTILIZATION OF THIS DOCUMENT OR ITS RELATED CAD DATA AS WELL AS COMMISSION OF ANY CONTENT TO OTHERS, WITHOUT EXPRESS AUTHORIZATION IS PROHIBITED.

DR	DATE
APV01 H.GAMA	130C97
APV02 G.MACIAS	170C97
APV03 S.HEFFERNAN	03NO97
APV04	

SUBSTANCES OF CONCERN AND RECYCLED CONTENT PER DELPHI 10049001

MATERIAL: POLYAMIDE COMPOUND GRAY

DRAWING NAME: LOCK SECONDARY TPA M/P 2

DRAWING NUMBER: 15324070

Mouser Electronics

Authorized Distributor

Click to View Pricing, Inventory, Delivery & Lifecycle Information:

[Aptiv:](#)

[15324070](#)