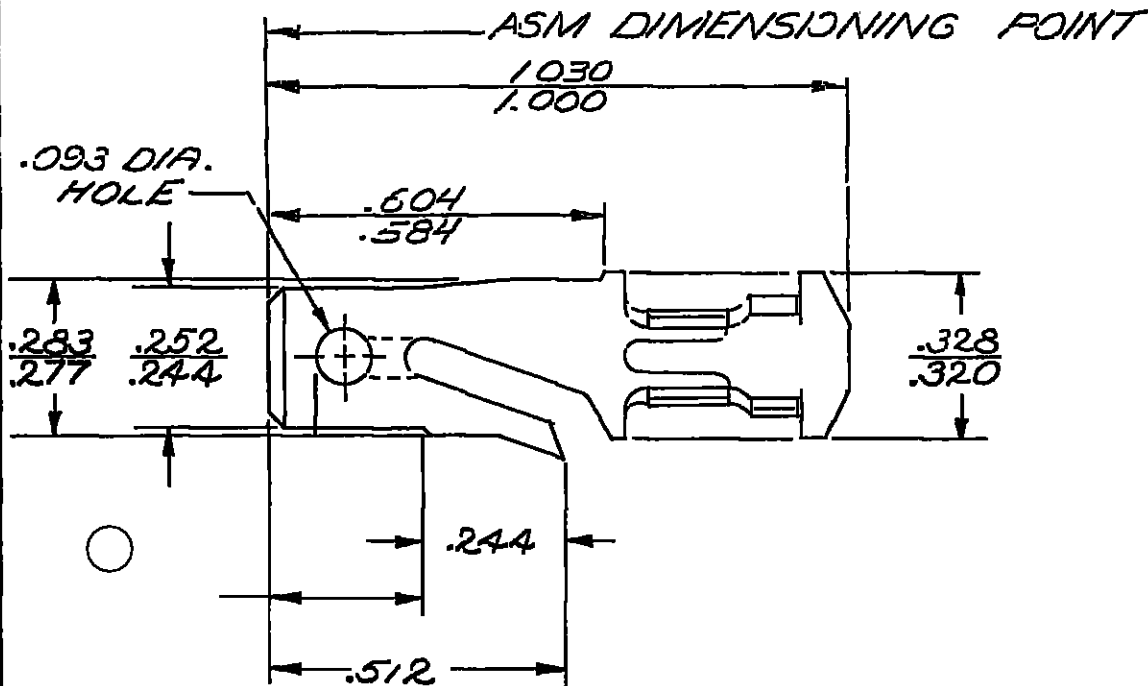


PACKARD ELECTRIC DIVISION
 GENERAL MOTORS CORPORATION
 WARREN, OHIO

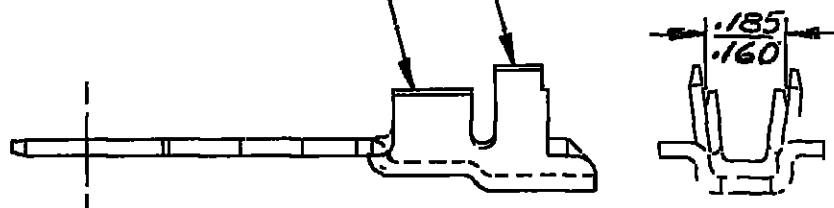
DO NOT SCALE

THIS DRAWING AND DESIGN HEREOF CONSTITUTE A PROPRIETARY DESIGN OF PACKARD ELECTRIC DIVISION AND IS NOT TO BE DUPLICATED OR REPRODUCED WITHOUT AUTHORITY OF PACKARD ELECTRIC DIVISION



CONDUCTOR WINGS FOR 2.0-1.0 MM² CABLE.

INSULATION WINGS FOR 3.05MM MAX. INSULATION DIA.



C02D1582

-OUTLINE DRAWING-

PART NO		2971962		SIZE	A
DATE	SYM	REVISION RECORD	C/N NO		
6-15-60	∞	VIEW & .052 DIM. ADDED	1808		
9-13-66	∞	DIM. & DIMENSIONING POINT REVISED.	25293		
		MATL. SPEC. WAS .032 BRASS-TIN PLATED			
5-9-68	∞	WAS .65/.3	32961		
8-6-69	∞	2962864 D" SIZE SPT#1 WAS 2962864-D	36500		
04SE79	-	CABLE REVISED TO METRIC	70645		
01SE82	--	PICTURE REVISED	82155		
01AU83	AZ	REV SYM ADVANCE	86126		
180C05	AZ11	REMOVED DIM (1 PLC)	273766		
CODE NO 6900		TOLERANCE UNLESS OTHERWISE SPECIFIED			
		DECIMAL ±.005			
		FRACTIONAL			
		ANGULAR ± 2°			
DWG DATE 3-18-60	SCALE NONE	DR T. ORR			
ROUTING	DEPT	CHK <i>[Signature]</i> 3-19-60			
OUTST	REFERENCE	APPR			
2962864" D" SIZE SPT#1		APPR <i>[Signature]</i>			
MATERIAL SPEC		.0320 THK. SAE CA-260 BRASS		CODE NO	
		1/2 HARD-TIN PLATED			
NAME TERMINAL-MALE-'56 SERIES					
PART NO				SIZE	
2971962				A	

Mouser Electronics

Authorized Distributor

Click to View Pricing, Inventory, Delivery & Lifecycle Information:

[Aptiv:](#)

[02971962](#)