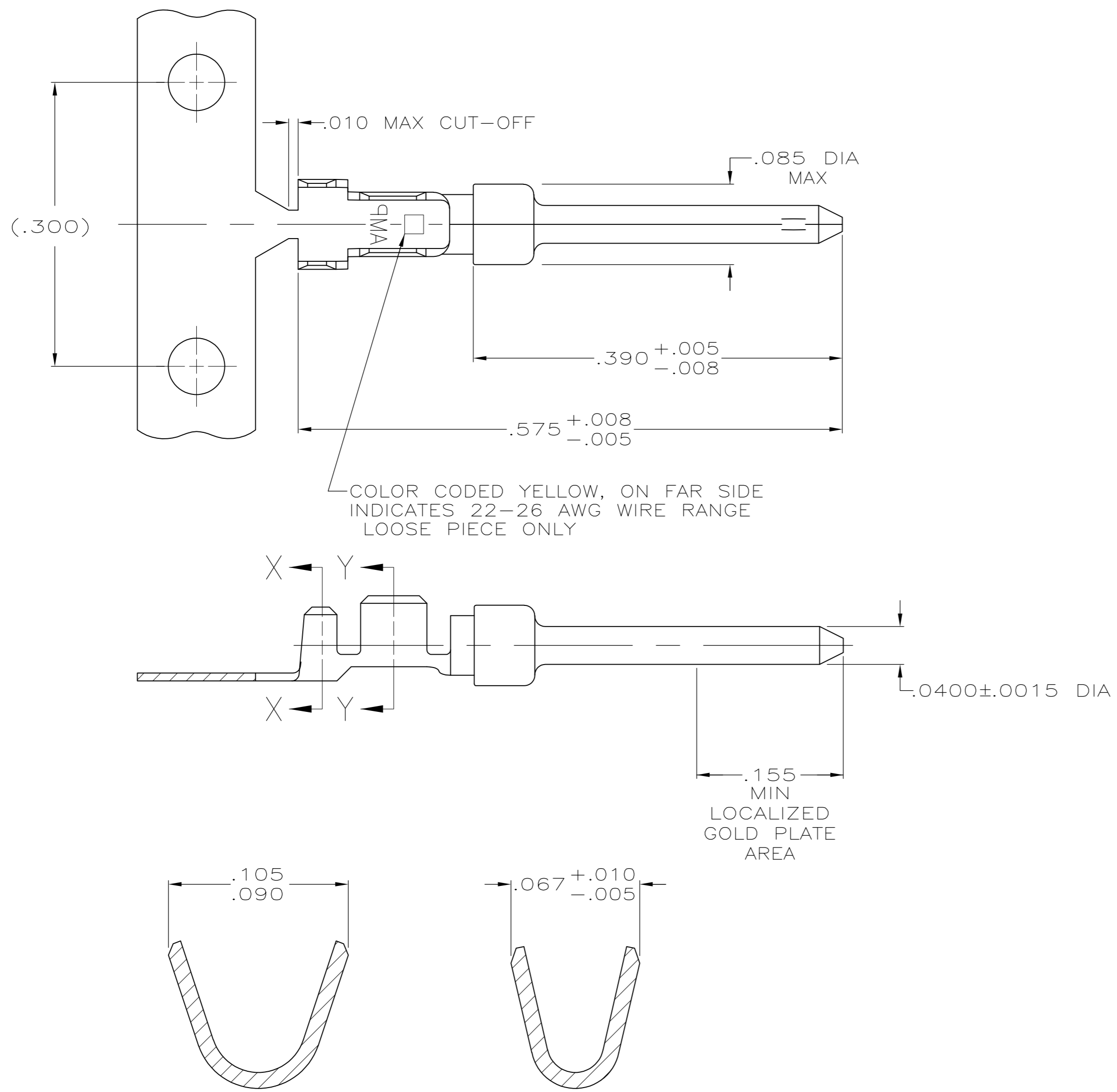


THIS DRAWING IS UNPUBLISHED. RELEASED FOR PUBLICATION
 © COPYRIGHT - By - ALL RIGHTS RESERVED.

LOC	DIST	REVISIONS					
GP	00	P	LTR	DESCRIPTION	DATE	DWN	APVD
		D1		REVISED PER ECO-11-004835	11MAR11	RK	HMR



- 1 FOR MINI-APPLICATOR.
- 2 FOR HAND TOOL USE ONLY.
- 3. WIRE RANGE OF 22-26, INSULATION RANGE OF .040-.050.
- 4. TIN PLATING MAY NOT APPEAR ON CARRIER STRIP.
- 5 GOLD PLATED IN LOCALIZED GOLD PLATE AREA AS FOLLOWS:
 .000030 MIN GOLD IN MATED AREA, .000100 MIN TIN ON WIRE BARRELS, ALL OVER .000050 MIN NICKEL UNDERPLATE.
 OR
 GOLD FLASH OVER PALLADIUM-NICKEL PLATE, .000030 MIN TOTAL IN MATED AREA, .000100 MIN TIN ON WIRE BARRELS, ALL OVER .000050 MIN NICKEL UNDERPLATE.
- 6 GOLD FLASH IN LOCALIZED GOLD PLATE AREA, .000100 MIN TIN ON WIRE BARRELS, ALL OVER .000050 MIN NICKEL UNDERPLATE.

SECTION X-X
 INSULATION BARREL
 SCALE 20:1

SECTION Y-Y
 WIRE BARREL
 SCALE 20:1

FINISH	USE	TYPE	PART NUMBER
6	2	LOOSE PIECE	1658544-4
6	1	STRIP	1658544-3
5	1	STRIP	1658544-2
5	2	LOOSE PIECE	1658544-1

THIS DRAWING IS A CONTROLLED DOCUMENT.

DIMENSIONS: INCHES	TOLERANCES UNLESS OTHERWISE SPECIFIED:	DWN L. VARELA - DOCK5 11-17-04	
		CHK J. GERACE 11-17-04	
		APVD M. WALMSLEY 11-17-04	NAME
		PRODUCT SPEC 108-40005	PIN CONTACT, 20 DF, 22-26 AWG, AMPLIMITE
		APPLICATION SPEC 114-10000	SIZE CAGE CODE DRAWING NO RESTRICTED TO
MATERIAL BRASS	FINISH SEE TABLE	WEIGHT -	A2 00779 C=1658544
		CUSTOMER DRAWING	SCALE 10:1 SHEET 1 OF 1 REV D1

Mouser Electronics

Authorized Distributor

Click to View Pricing, Inventory, Delivery & Lifecycle Information:

[TE Connectivity:](#)

[1658544-2 \(Cut Strip\)](#)