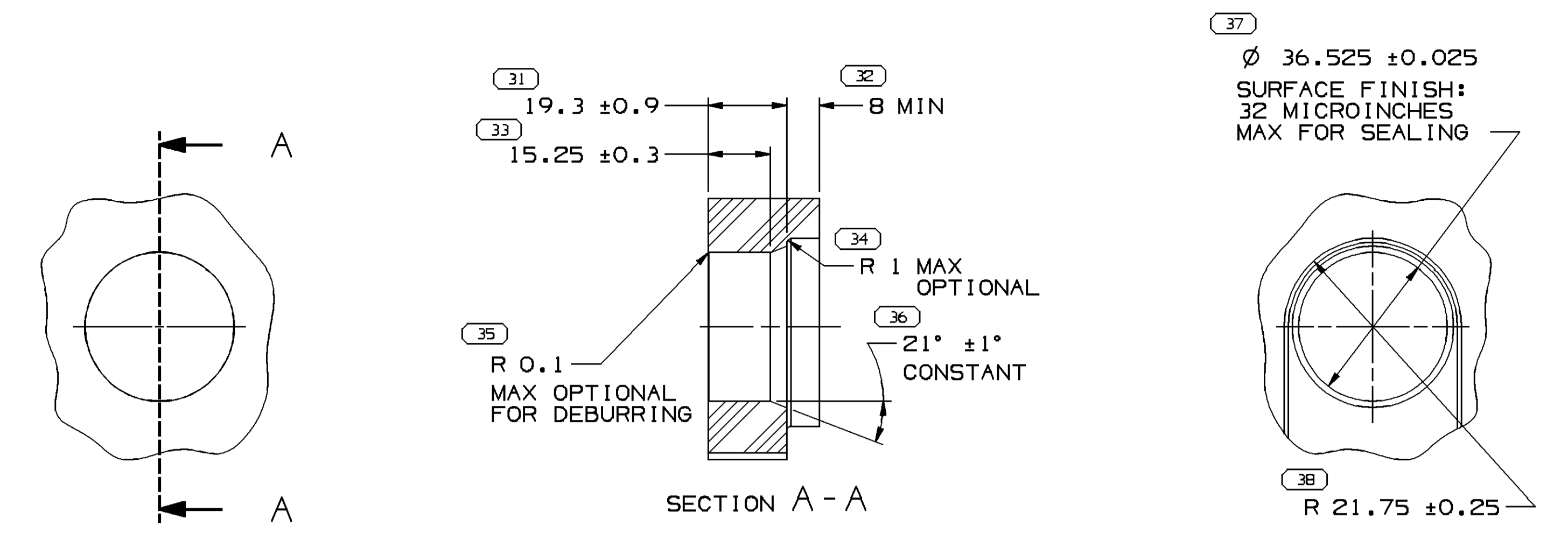
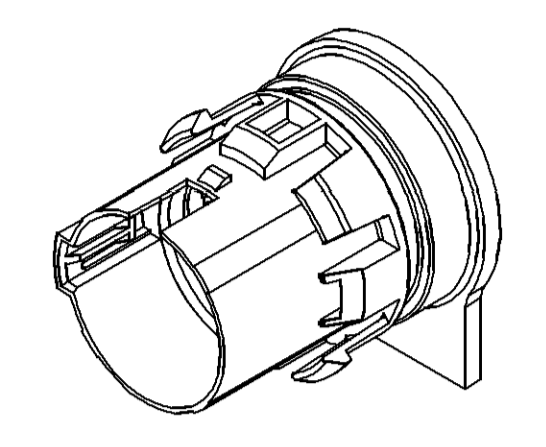


KEY PRODUCT CHARACTERISTIC SYMBOLS (⊕, ⊙) INDICATE PRODUCT CHARACTERISTICS THAT REQUIRE SPECIAL CARE, DOCUMENTATION, AND ACCEPTANCE CRITERIA PER GM 1805 QN AND DELPHI PACKARD ELECTRIC SYSTEMS PROCEDURES.

KEY PRODUCT CHARACTERISTICS	
⊕ SAFETY/COMPLIANCE	◇ FIT/FUNCTION
TOTAL ON DRAWING	1
LAST NUMBER USED	1

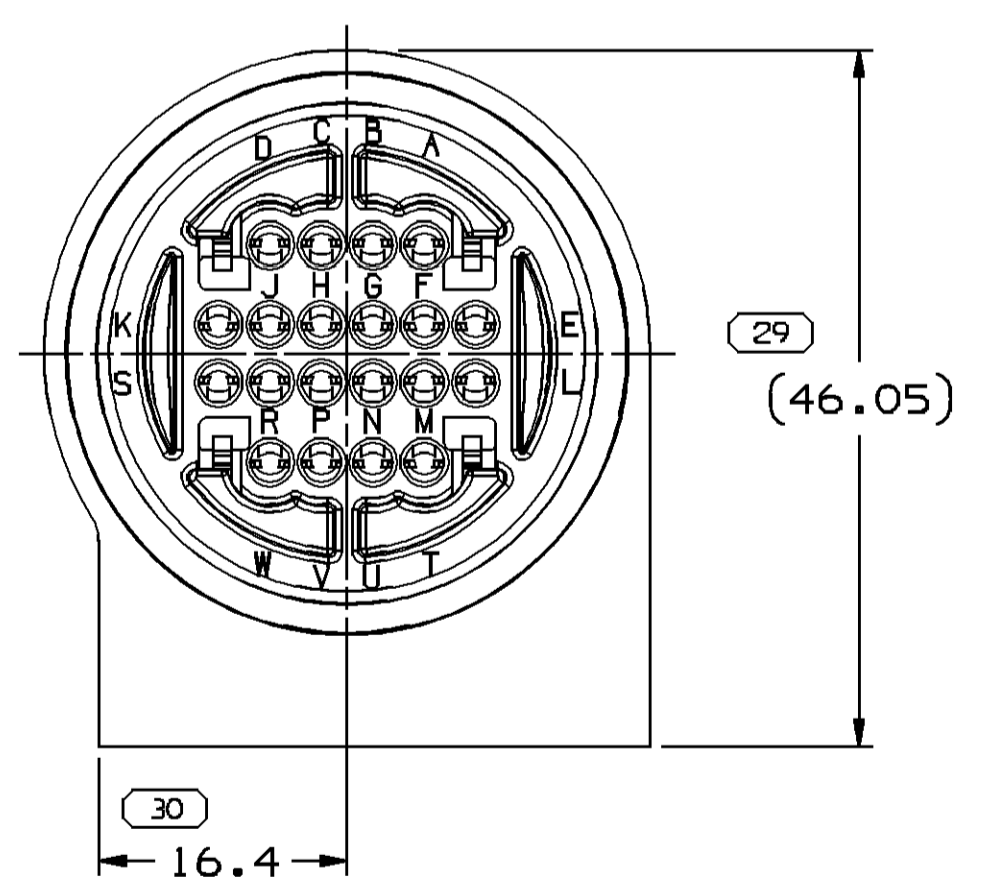
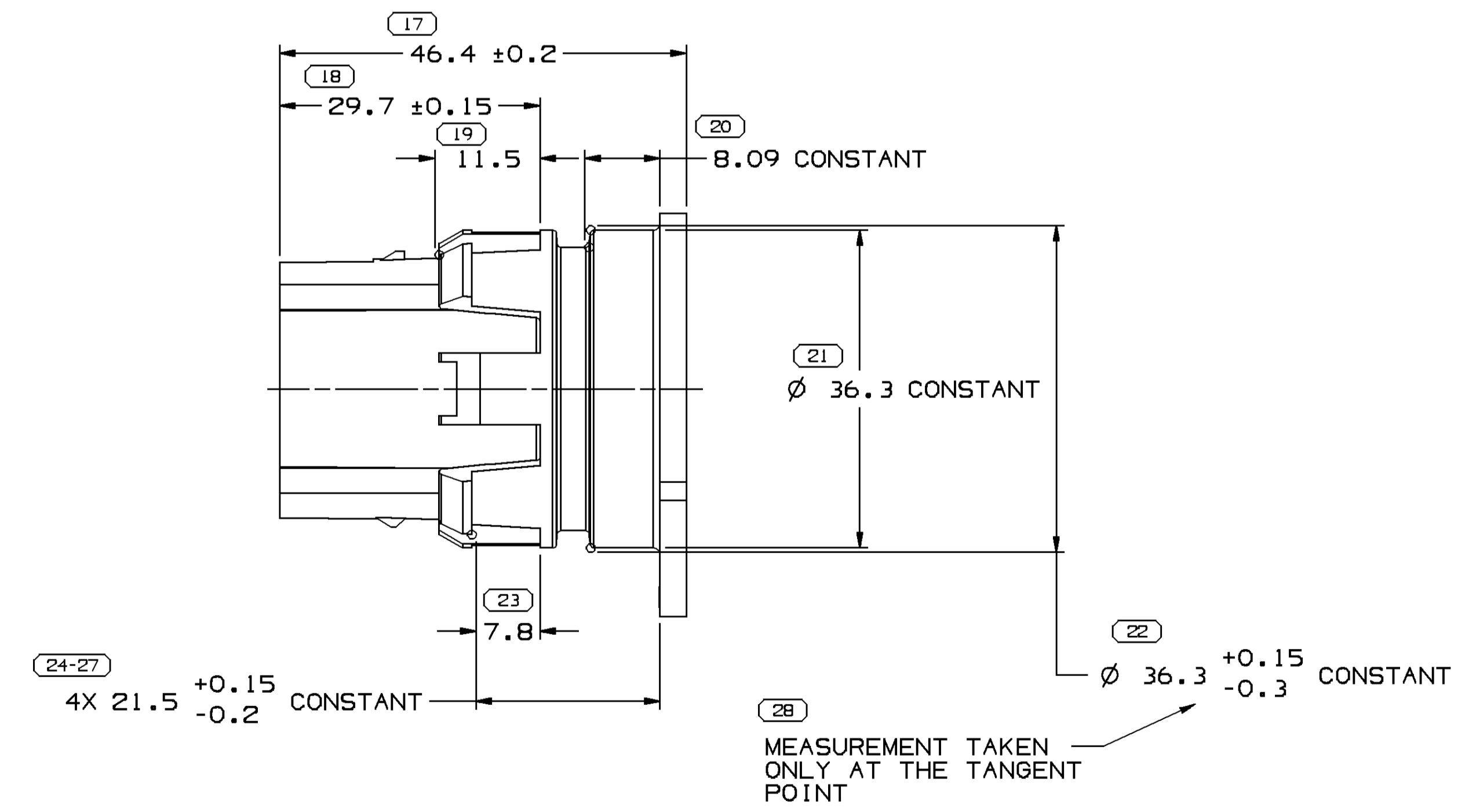
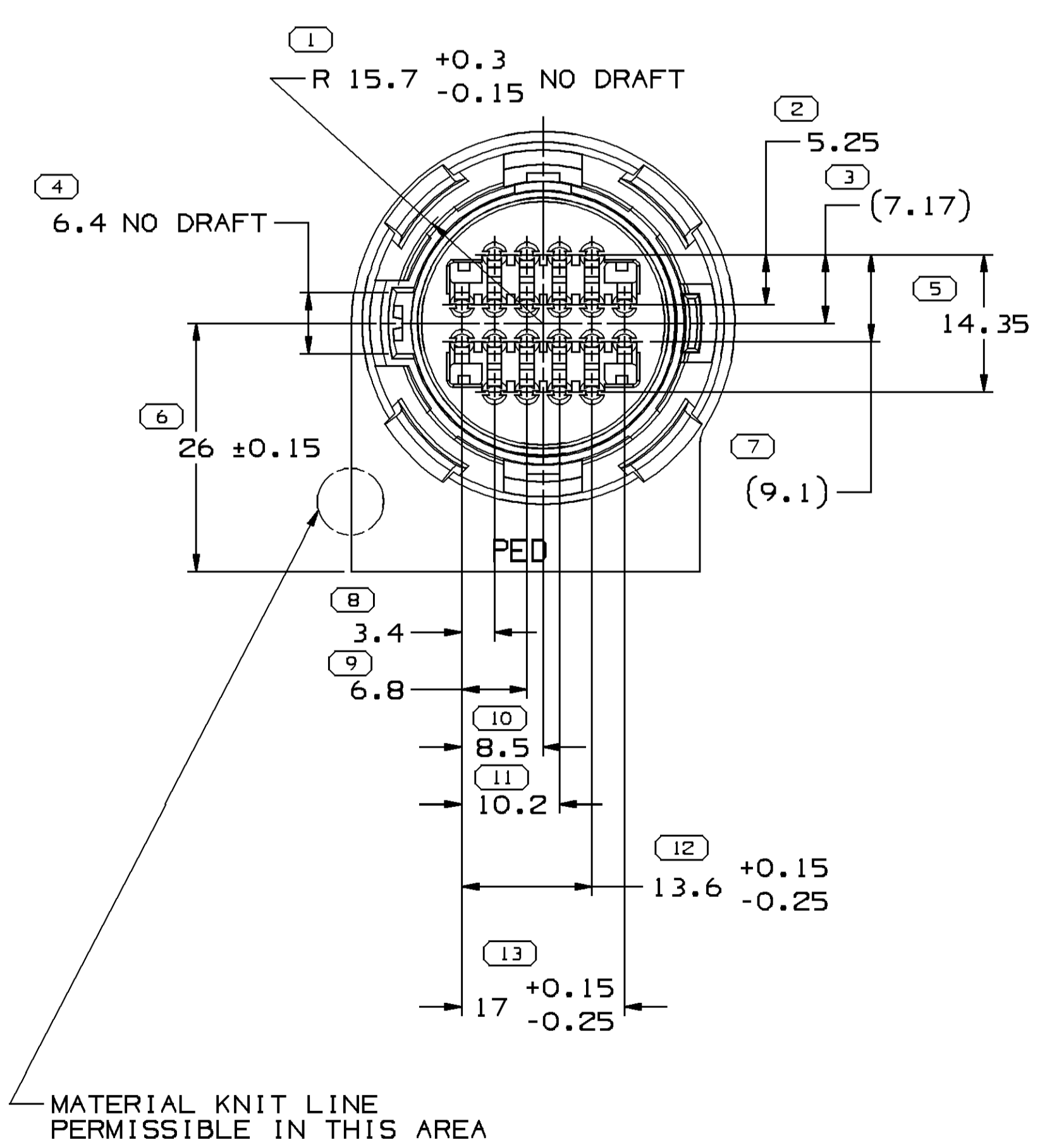
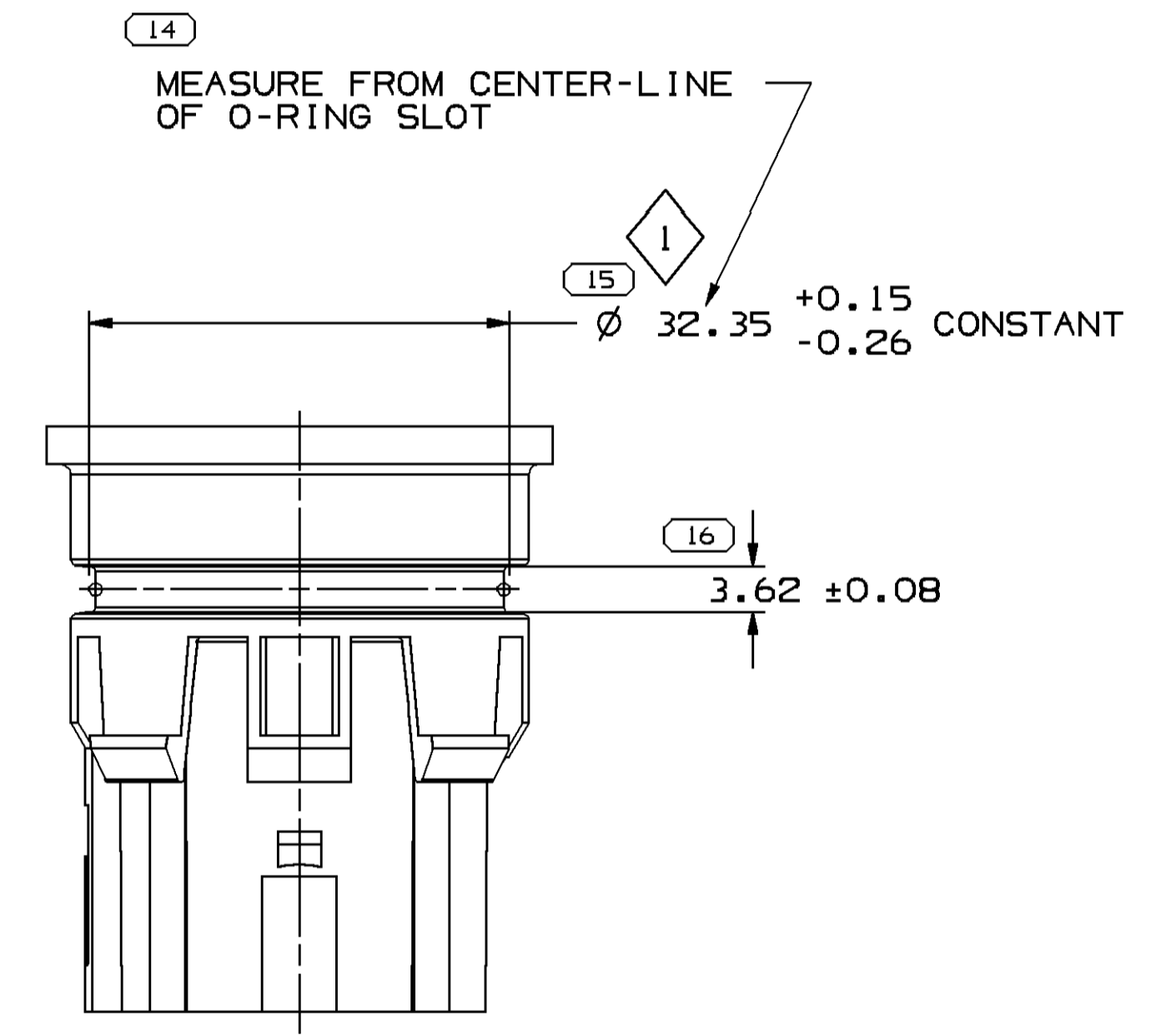
SYMBOL DEFINITION		MISSING NUMBERS	
A DIMENSION WITHOUT AN INSPECTION REPORT SYMBOL (○) DOES NOT REQUIRE INSPECTION. IT MAY BE CONTROLLED ON AN INDIVIDUAL COMPONENT DRAWING	TOTAL NO. OF SYMBOLS ON DRAWING	35	
	LAST NO. USED	38	

DWG STATUS				REVISION HISTORY				AUTH		DR		AP/VD	
DATE	STG	REV	N/P	CHG	ZONE								
18DE00	R	B7	-	-		REDRAWN TO PE & REVISED	205078	PHC	PHC				
08MY01	R	B8	-	-		PDM ATTRIBUTES UPDATED	209431	HAM	HAM	CSD	M		
18SE03	R	03	-	-		REVISED TOLS (3 PLCS): GEOMETRY OF SECOND LOCK; NOTE #3 AND MATERIAL SPEC	245991	FKV	FKV	CSD			
01AP04	R	04	-	-		ADDED KNIT NOTE, Ø 36.3 CONSTANT WAS Ø 36.3 AND Ø 36.3 +0.15/-0.3 CONSTANT WAS Ø 36.3 ± 0.15	253248	CCV	FRG	CSD			
07JN07	R	04	AA	-		ADDED NOTE 6	401613	PCP	PCP	CSD			



MOUNTING HOLE DETAIL - PREFERRED
SCALE 1:1

- NOTES
- UNLESS OTHERWISE SPECIFIED AND/OR INDICATED: DIMENSIONS ARE TO FACE OF VIEW SHOWN AND AUTOMATICALLY ROUNDED BY COMPUTER FOR INSPECTION (SEE MATH MODEL FOR PRECISE DIMENSIONS). FOR ALL OTHER DIMENSIONS NOT SHOWN BUT REQUIRED FOR TOOL BUILD, SEE MATH MODEL FOR PRECISE TOOL PATH DATA. ALL RADII 0.4
 - WHEN USING THIS INFORMATION FOR A NEW DESIGN, REQUEST THE LATEST COPY OF THIS PRINT FROM PACKARD ELECTRIC DIVISION.
 - INSPECTION SYMBOLS SHOWN IN THESE VIEWS ARE FOR REFERENCE ONLY



- NOTES
- UNLESS OTHERWISE SPECIFIED AND/OR INDICATED: DIMENSIONS ARE TO FACE OF VIEW SHOWN AND AUTOMATICALLY ROUNDED BY COMPUTER FOR INSPECTION (SEE MATH MODEL FOR PRECISE DIMENSIONS). FOR ALL OTHER DIMENSIONS NOT SHOWN BUT REQUIRED FOR TOOL BUILD, SEE MATH MODEL FOR PRECISE TOOL PATH DATA.
 - MATING COMPONENTS OR EQUIVALENT: CONNECTOR 12160280
 - THIS PART ACCEPTS THE FOLLOWING COMPONENTS OR EQUIVALENT: SECONDARY TERMINAL LOCK 12146394 O-RING 12129390 MAX INSULATION CRIMP MUST BE LESS THAN 2.5 MEASURED AT ANY POINT CAVITIES TO ACCEPT 12160552 TERMINAL OR EQUIVALENT
 - MATERIAL RECYCLING CODE PER ISO 11469, (2.31X10.1) CHARACTERS AS SHOWN TO BE LOCATED ON ANY EXTERIOR SURFACE.
 - (2.31X10.1) DELPHI CORPORATE BRAND TO BE LOCATED ON ANY EXTERIOR SURFACE, PREFERABLY VISIBLE AT FINAL ASSEMBLY, OPTIONAL CONSTRUCTION TO BE "PED".
 - HYGROSCOPIC MATERIALS ABSORB AND RELEASE MOISTURE DEPENDING ON THE RELATIVE HUMIDITY OF THE ENVIRONMENT. HYGROSCOPIC POLYMERS SUCH AS PA6 AND PA66 (NYLONS IN GENERAL) REQUIRE PROPER STORAGE AND PACKAGING. EVERY EFFORT IS MADE BY DELPHI PACKARD TO CORRECTLY PACKAGE THIS PRODUCT AT INITIAL SHIPMENT FROM THE DELPHI PRODUCING PLANT. FAILURE TO PROTECT COMPONENTS COMPOSED OF HYGROSCOPIC MATERIALS DURING SUBSEQUENT HANDLING, STORAGE AND PACKAGING, PARTICULARLY IN HIGH HUMIDITY ENVIRONMENTS CAN RESULT IN DIMENSIONAL CHANGE FOR WHICH DELPHI WILL NOT BE LIABLE.

Dwg Type		PART DRAWING	
STYLE		D	
VOLUME (QTY)	14,271	D	
DISTR CODE			
UNLESS OTHERWISE SPECIFIED			
THIS DOCUMENT IS IN ACCORDANCE WITH GM 914.94-1994 AS ISSUED BY THE IN-SERVICE DIVISION AND TELEPHONE ADDENDUMS. SEPARATE WRITINGS OR FEATURES MAY BE BASED SEPARATELY PER DELPHI 10949001 REFERENCES.			
ALL DIMENSIONS ARE IN MILLIMETERS			
REFERENCE	12146482		
THIRD ANGLE PROJECTION	DO NOT SCALE		
USE MATH DATA	NX		

DELPHI
DELPHI PACKARD ELECTRICAL/ELECTRONIC ARCHITECTURE
WYDEN, OH

DR	DATE
APV01 P.H. CASTRILLON	15DE00
APV02 P.H. CASTRILLON	15DE00
APV03 C. DEPROFFIO	20DE00
APV04	

SUBSTANCES OF CONCERN AND RECYCLED CONTENT PER DELPHI 10949001

WATERLIN W3592025 PA66 HS 1M-GR4 MD

DRAWING NAME
CONN 20 M MIC/P 100W GRA MD SLD

DRAWING NUMBER
12160781

SIZE	SCALE	FRM NO	SHEET NO	STG	REV	N/P
A0	2:1	1	1	1	R	04

DIMENSIONAL RANGE (MM)		SHORT ET	
FROM	> 0	> 30	> 100
TO	20	70	100
	100	150	200
	200	250	300
	300	400	
TOLERANCE UNLESS OTHERWISE SPECIFIED			
±0.15	±0.2	±0.3	±0.4
±0.5	±0.6	±0.8	±1
±1.2			
ANGULAR TOLERANCE 20'			

Date: 18-Jun-07 Time: 08:17

Mouser Electronics

Authorized Distributor

Click to View Pricing, Inventory, Delivery & Lifecycle Information:

[Aptiv:](#)

[12160781](#)