

THIS DRAWING IS UNPUBLISHED.

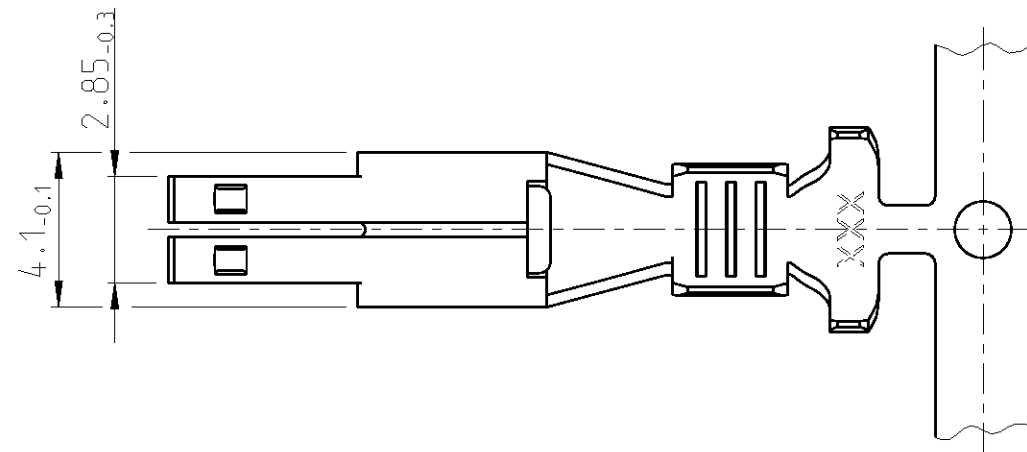
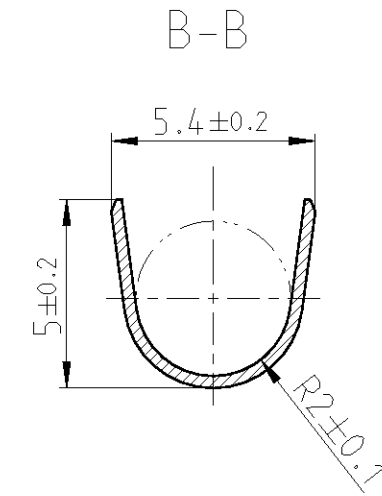
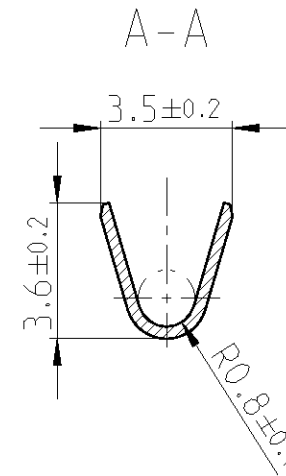
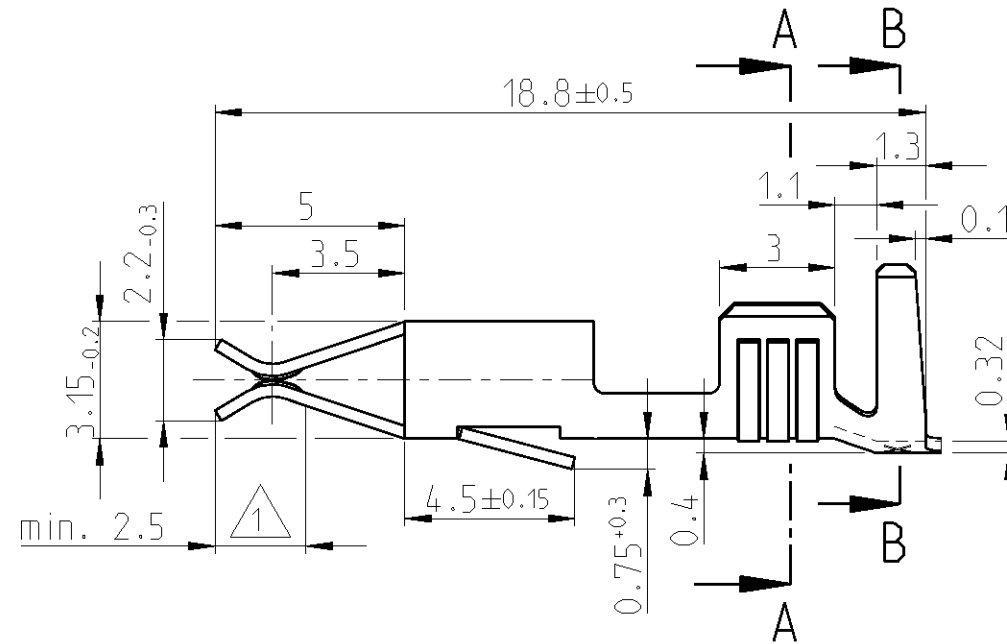
RELEASED FOR PUBLICATION

2013

© COPYRIGHT 2013 Tyco Electronics AMP GmbH

ALL RIGHTS RESERVED.

LOC	DIST	REVISIONS					
		P	LTR	DESCRIPTION	DATE	DWN	APVD
A1	-		R1	Zeichnung neu erstellt	15DEC1998	M.P.	M.B.
			R2	New CAD drawing created.	21JUN2013	Kirs.	Eder



CONDUCTOR CROSS-SECTION IN mm ² Leitungsquerschnitt in mm ²									
SINGLE CONNECTION Einzelanschlag	WIRE SIZE RANGE: 1.0-2.5mm ² Drahtgrößenbereich: 1.0-2.5mm ²								
	0.50	0.75	1.00	1.50	2.00	2.50	3.00	4.00	6.00
0.50	X	X	X						
0.75	X	X							
1.00	X	X							
1.50	X								
2.00									
2.50	X								
3.00									
4.00									
6.00									

INSULATION RANGE: 2.4-3.7mm
Isolationsbereich: 2.4-3.7mm

CRIMPING CONDUCTOR: FLK-WIRE
CONDUCTOR: F-CRIMP
INSULATION: F-CRIMP

angeschlagener Leiter: FLK-Leitung
Leiter: F-Crimp
Isolation: F-Crimp

925597-6	PRE TIN	Elmedur-x	925595-6	R
925597-5	SELECTIVE GOLD $\triangle 1$	CuSn4	925595-5	R
925597-4	PRE TIN	CuZn30	925595-4	R
925597-3	SELECTIVE SILVER $\triangle 1$	CuSn4	925595-3	R
925597-2	PRE TIN	CuSn4	925595-2	R
925597-1	PRE TIN	CuZn30	925595-1	R
LOOSE PIECE	FINISH	MATERIAL	STRIP PART	REV

THIS DRAWING IS A CONTROLLED DOCUMENT.

DWN: M.Pfeilschiffer 15DEC1998
CHK: M.Bleicher 08JAN1999
APVD: -

PRODUCT SPEC: 108-18053
APPLICATION SPEC: 114-18079
WEIGHT: -

TE TE Connectivity

NAME: JUNIOR-TIMER CONTACT
Junior-Timer Kontakt

SIZE: A3 CAGE CODE: 00779 DRAWING NO: 925595 RESTRICTED TO: -

CUSTOMER DRAWING SCALE: 5:1 SHEET: 1 OF 1 REV: R2

Mouser Electronics

Authorized Distributor

Click to View Pricing, Inventory, Delivery & Lifecycle Information:

[TE Connectivity:](#)

[925595-2 \(Loose Piece\)](#)