

## Feed-through header - PCV 6-16/ 5-GF-10,16 - 1922598

Please be informed that the data shown in this PDF Document is generated from our Online Catalog. Please find the complete data in the user's documentation. Our General Terms of Use for Downloads are valid (<http://phoenixcontact.com/download>)

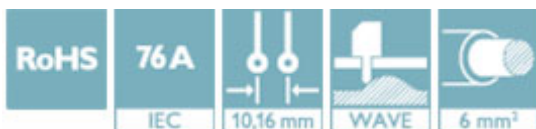


PCB headers, nominal current: 76 A, rated voltage (III/2): 1000 V, nominal cross section: 6 mm<sup>2</sup>, number of positions: 5, pitch: 10.16 mm, color: green, contact surface: Silver, mounting: Wave soldering, pin layout: Linear pinning, solder pin [P]: 4 mm, The nominal current of 76 A applies in connection with connectors from the PC 16 family. 41 A are reached in connection with PC 6 connectors (50 A in accordance with UL).


The figure shows a 6-position version

### Your advantages

- ✓ Well-known mounting principle allows worldwide use
- ✓ Screwable flange for superior mechanical stability
- ✓ Maximum flexibility when it comes to device design – one header for connectors with different connection technologies



### Key Commercial Data

|              |   |
|--------------|---|
| Packing unit | 50 pc   |
| GTIN         | <br>4 017918 727024 |
| GTIN         | 4017918727024   |

### Technical data

#### Dimensions

|                          |              |
|--------------------------|--------------|
| Length [ l ]             | 13.4 mm      |
| Width                    | 68.56 mm     |
| Pitch                    | 10.16 mm     |
| Dimension a              | 40.64 mm     |
| Width [ w ]              | 68.56 mm     |
| Height [ h ]             | 33 mm        |
| Height                   | 29 mm        |
| Length of the solder pin | 4 mm         |
| Pin dimensions           | 0.8 x 1.2 mm |
| Length                   | 13.4 mm      |

#### General

# Feed-through header - PCV 6-16/ 5-GF-10,16 - 1922598

## Technical data

### General

|                     |                 |
|---------------------|-----------------|
| Range of articles   | PCV 6-16/...-GF |
| Color               | green           |
| Number of positions | 5               |

### Standards and Regulations

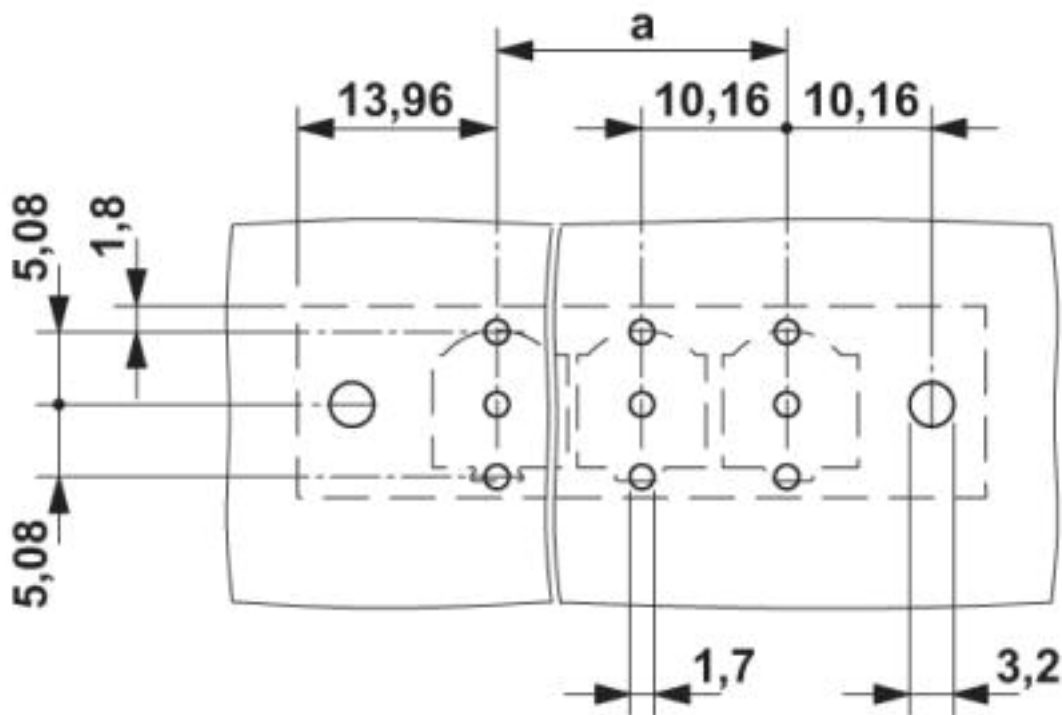
|                                  |     |
|----------------------------------|-----|
| Connection in acc. with standard | CUL |
|----------------------------------|-----|

### Environmental Product Compliance

|            |   |
|------------|---|
| China RoHS | Environmentally friendly use period: unlimited = EFUP-e |
|            | No hazardous substances above threshold values          |

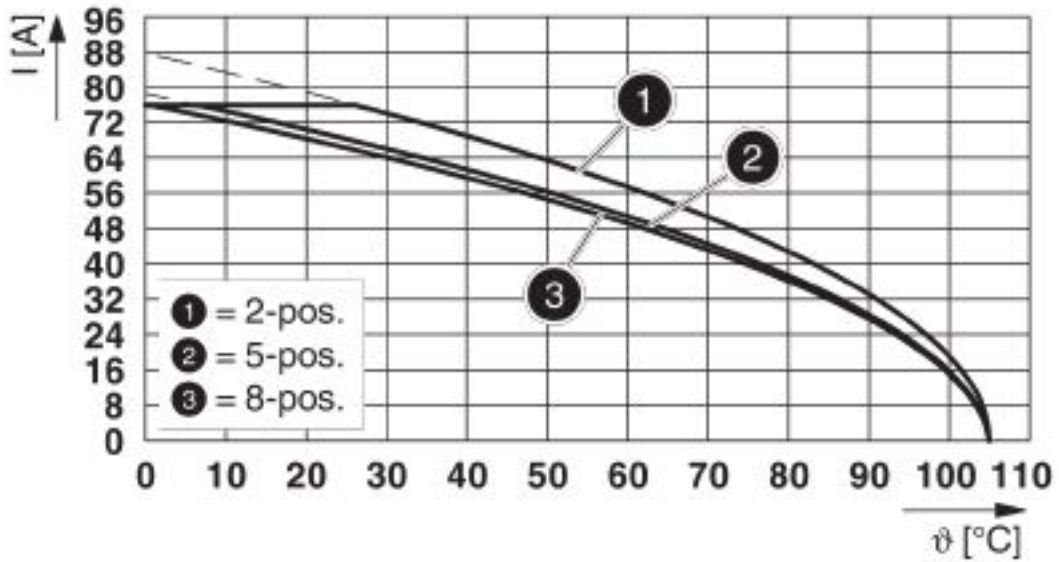
## Drawings

Drilling diagram



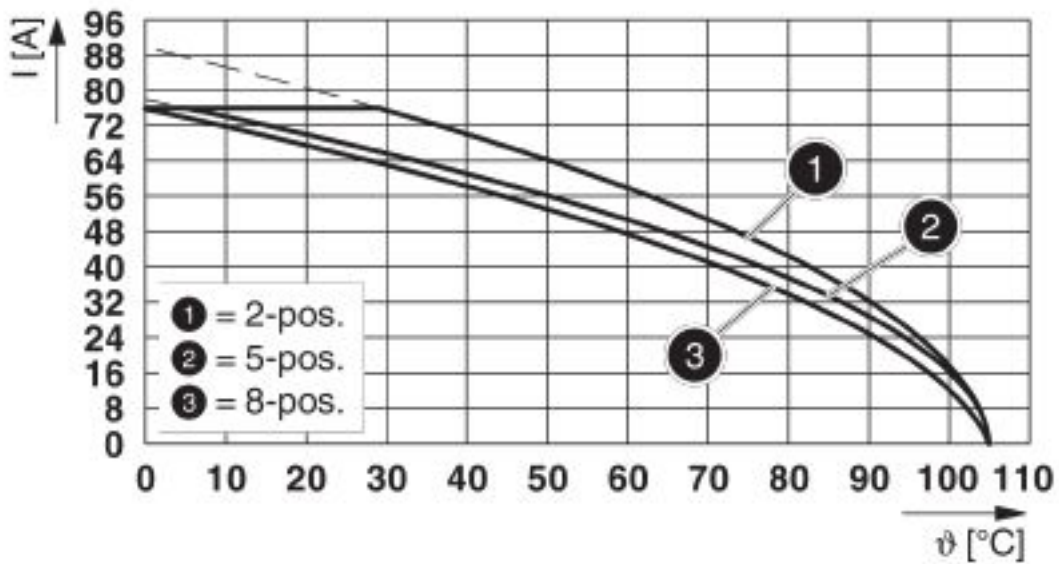
# Feed-through header - PCV 6-16/ 5-GF-10,16 - 1922598

Diagram



Type: PC 16/...-STF-10,16 with PCV 6-16/...-GF-10,16

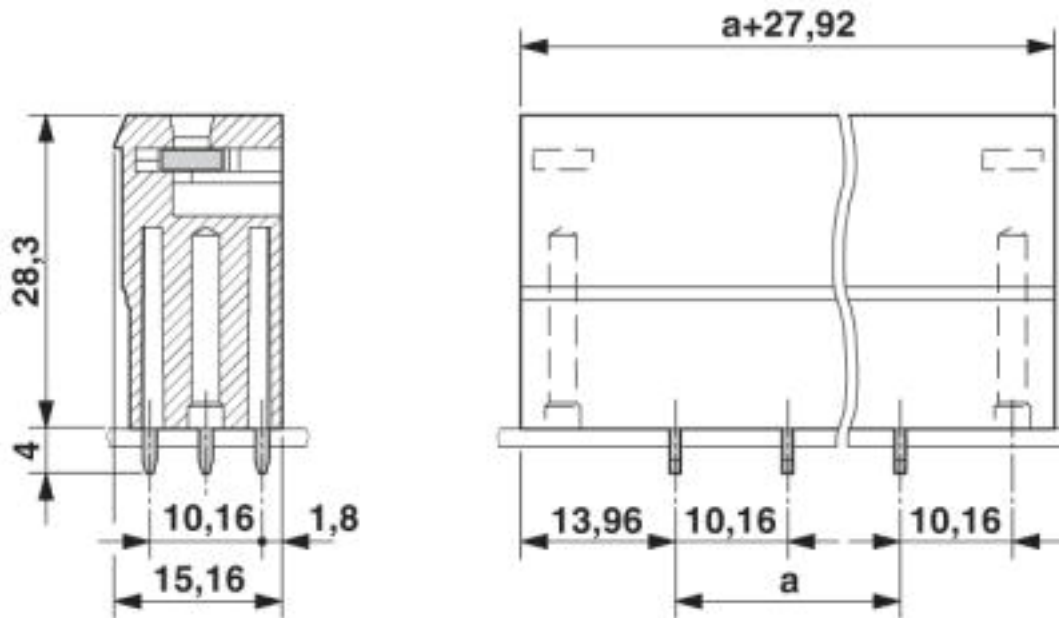
Diagram



Type: SPC 16/...-STF-10,16 with PCV 6-16/...-GF-10,16

# Feed-through header - PCV 6-16/ 5-GF-10,16 - 1922598

Dimensional drawing



## Classifications

eCl@ss

|            |          |
|------------|----------|
| eCl@ss 4.0 | 27260700 |
| eCl@ss 4.1 | 27260700 |
| eCl@ss 5.0 | 27260700 |
| eCl@ss 5.1 | 27260700 |
| eCl@ss 6.0 | 27260700 |
| eCl@ss 7.0 | 27440402 |
| eCl@ss 8.0 | 27440402 |
| eCl@ss 9.0 | 27440402 |

ETIM

|          |          |
|----------|----------|
| ETIM 3.0 | EC001121 |
| ETIM 4.0 | EC002637 |
| ETIM 5.0 | EC002637 |
| ETIM 6.0 | EC002637 |
| ETIM 7.0 | EC002637 |

UNSPSC

|               |          |
|---------------|----------|
| UNSPSC 6.01   | 30211810 |
| UNSPSC 7.0901 | 39121409 |
| UNSPSC 11     | 39121409 |
| UNSPSC 12.01  | 39121409 |
| UNSPSC 13.2   | 39121409 |

# Feed-through header - PCV 6-16/ 5-GF-10,16 - 1922598

## Classifications

### UNSPSC

|             |          |
|-------------|----------|
| UNSPSC 18.0 | 39121409 |
| UNSPSC 19.0 | 39121409 |
| UNSPSC 20.0 | 39121409 |
| UNSPSC 21.0 | 39121409 |

## Approvals


### Approvals


#### Approvals

IECEE CB Scheme / SEV / EAC / cULus Recognized


#### Ex Approvals

### Approval details

|                    |   |   |             |
|--------------------|---|---|-------------|
| IECEE CB Scheme    |  | <a href="http://www.iecee.org/">http://www.iecee.org/</a> | CH-10653-M1 |
| Nominal voltage UN | 1000 V  |   |             |
| Nominal current IN | 76 A  |   |             |

|                    |   |   |            |
|--------------------|---|---|------------|
| SEV                |  | <a href="https://www.eurofins.ch/de/">https://www.eurofins.ch/de/</a> | IK-4468-M1 |
| Nominal voltage UN | 1000 V  |   |            |
| Nominal current IN | 76 A  |   |            |

|     |   |         |  |
|-----|---|---------|--|
| EAC |  | B.01687 |  |
|-----|---|---------|--|

|                    |   |   |       |                 |
|--------------------|---|---|-------|-----------------|
| cULus Recognized   |  | <a href="http://database.ul.com/cgi-bin/XYV/template/LISEXT/1FRAME/index.htm">http://database.ul.com/cgi-bin/XYV/template/LISEXT/1FRAME/index.htm</a> |       | E60425-20040202 |
|                    | B   | C   | D     |                 |
| Nominal voltage UN | 300 V   | 300 V   | 600 V |                 |
| Nominal current IN | 66 A  | 66 A  | 5 A   |                 |

## Feed-through header - PCV 6-16/ 5-GF-10,16 - 1922598

### Accessories

Accessories

Coding element

Coding profile - CP-HCC 4 - 1600027



Coding profile, number of positions: 1, pitch: 0 mm, color: red

---

### Mounting material

Accessories - DFK-PC 16-SS - 1705449



Screw set for DFK-PC 16... connectors

---

### Additional products

Printed-circuit board connector - PC 6/ 5-STF-10,16 - 1913604



PCB connector, nominal current: 41 A, rated voltage (III/2): 1000 V, nominal cross section: 6 mm<sup>2</sup>, number of positions: 5, pitch: 10.16 mm, connection method: Screw connection with tension sleeve, color: green, contact surface: Silver

---

Phoenix Contact 2020 © - all rights reserved  
<http://www.phoenixcontact.com>

PHOENIX CONTACT GmbH & Co. KG  
Flachsmarktstr. 8  
32825 Blomberg  
Germany  
Tel. +49 5235 300  
Fax +49 5235 3 41200  
<http://www.phoenixcontact.com>