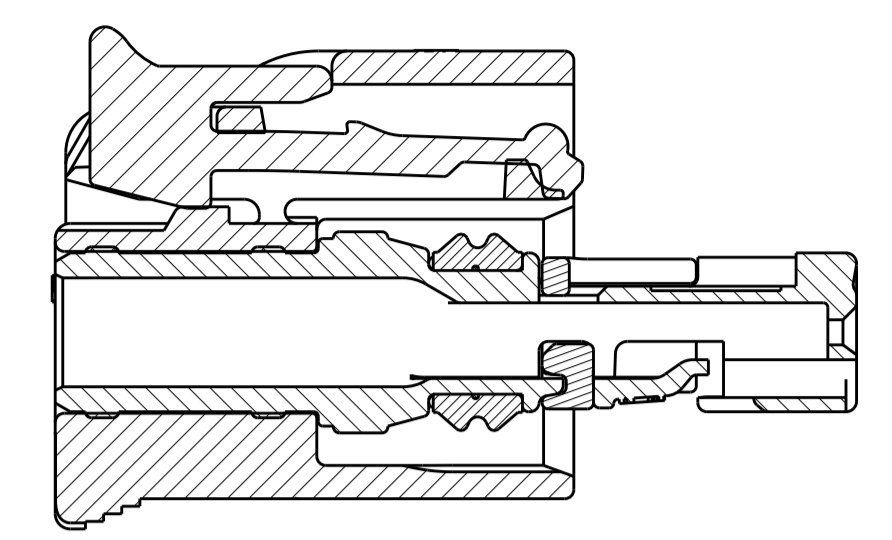
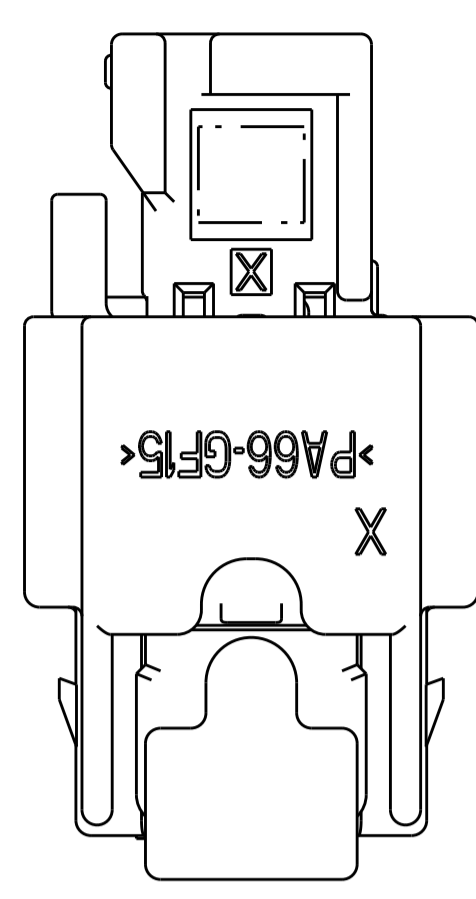
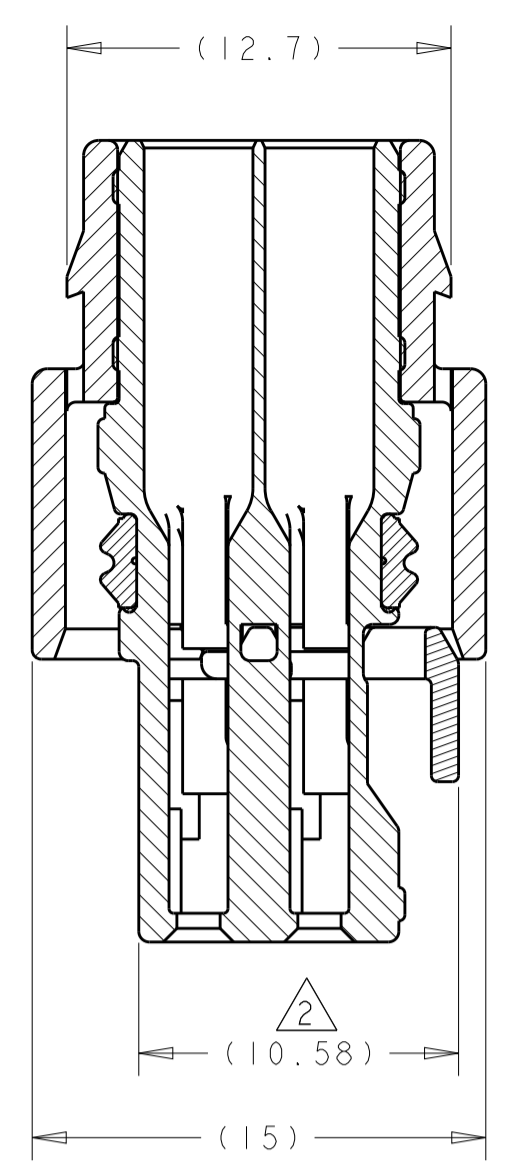


| REVISIONS |     |                           |           |          |
|-----------|-----|---------------------------|-----------|----------|
| P.        | LTN | DESCRIPTION               | DATE      | DWN APVD |
| B5        |     | REVISED PER ECO-12-019932 | 13NOV2012 | DLD SLM  |
| B6        |     | REVISED PER ECO-14-014610 | 26SEP2014 | DLD SLM  |

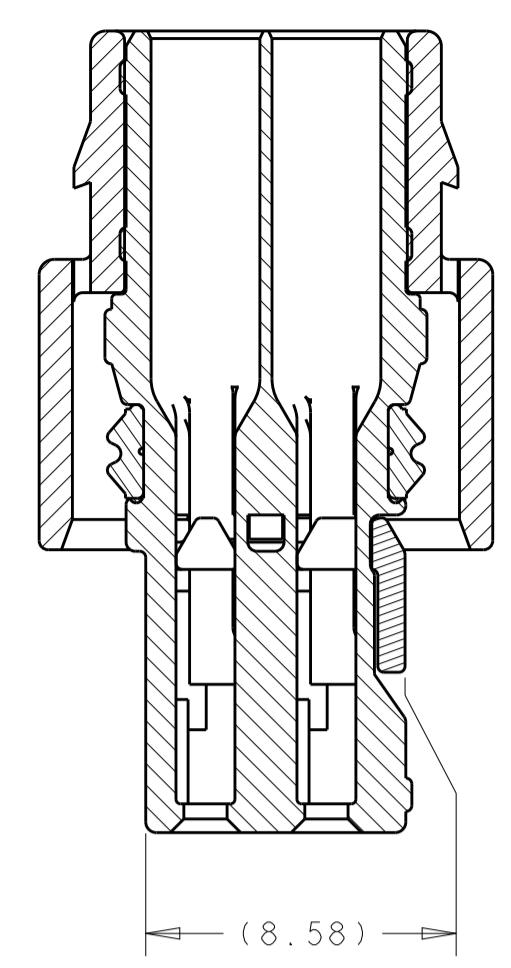
- PART NUMBER 1-1924067-9 SHOWN ON DRAWING.
- TPA AND CPA (WHEN APPLICABLE) ARE SHIPPED IN THEIR PRE-LATCHED POSITIONS. SEE INSTRUCTION SHEET 408-8968 FOR DIRECTIONS ON MOVING THE CPA AND TPA TO THE PRE-LATCHED POSITION, IF NECESSARY.
- TERMINALS SOLD SEPARATELY. FOR USE WITH TE MCON 1.2mm CLEAN BODY CONTACT WITH WIRE SEAL. SEE TE MCON 1.2-CB (CLEAN BODY) TABLE FOR APPLICABLE PART NUMBERS.
- APPLICABLE HEADER INTERFACE DRAWING 114-18679-3 IS AVAILABLE UPON REQUEST. A COPY OF THIS DRAWING CAN BE OBTAINED FROM THE TYCO ELECTRONICS PRODUCT MANAGER, VIA YOUR TE CONNECTIVITY SALES REPRESENTATIVE OR CUSTOMER SERVICE.
- MINIMUM FEED THROUGH CONDITION WITH 1.0mm CLEARANCE ALL AROUND.
- TRACEABILITY PRINTED IN THIS LOCATION AT ASSEMBLY.
- NOTE LEFT BLANK INTENTIONALLY.
- PART NUMBERS 1924067-7, -8, 1-7, 1-8 INNER HOUSING ARE ASSEMBLED 180°.
- PROTOTYPE ASSEMBLIES USE GERMAN OUTER HOUSING P/N: 1718648-1, CPA P/N: 1670193-1 AND SEAL P/N: 1718650-1.
- NOTE DELETED
- TPA ENGAGE FORCE: PRESET TO FULL  $\geq 2$  N AND  $\leq 60$  N.
- TPA DISENGAGE FORCE: DISENGAGE FROM FULL TO PRESET  $\geq 2$  N AND  $\leq 60$  N.
- CPA ENGAGE FORCE: PRESET TO FULL WITHOUT CONNECTORS MATED  $\geq 40$  N.
- CPA ENGAGE FORCE: PRESET TO FULL WITH CONNECTORS MATED  $< 30$  N.
- POLARIZATION FEATURE EFFECTIVENESS:  
CONNECTOR MATED TURNED 180° NO MATING  $> 125$  N.  
WRONG KEYING NO MATING  $> 125$  N.
- VALIDATED UP TO USCAR TEMPERATURE CLASS III.
- SEE INSTRUCTION SHEET 408-8928.
- REFERENCE SHEET 2 FOR ISOMETRIC VIEWS.
- TERMINAL 1670146-x REPLACES 1418847-x



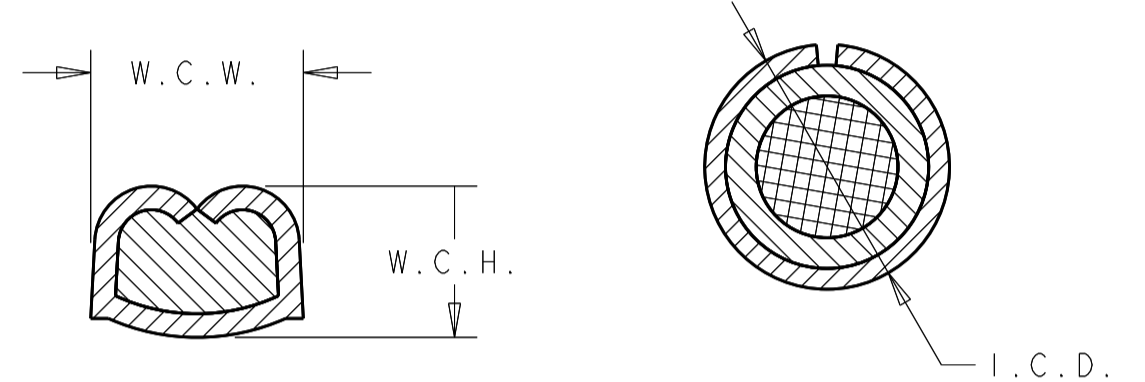
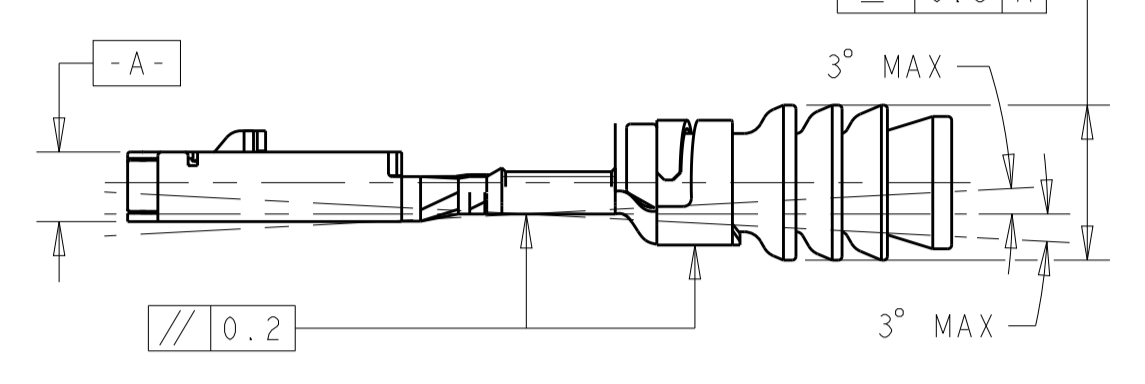
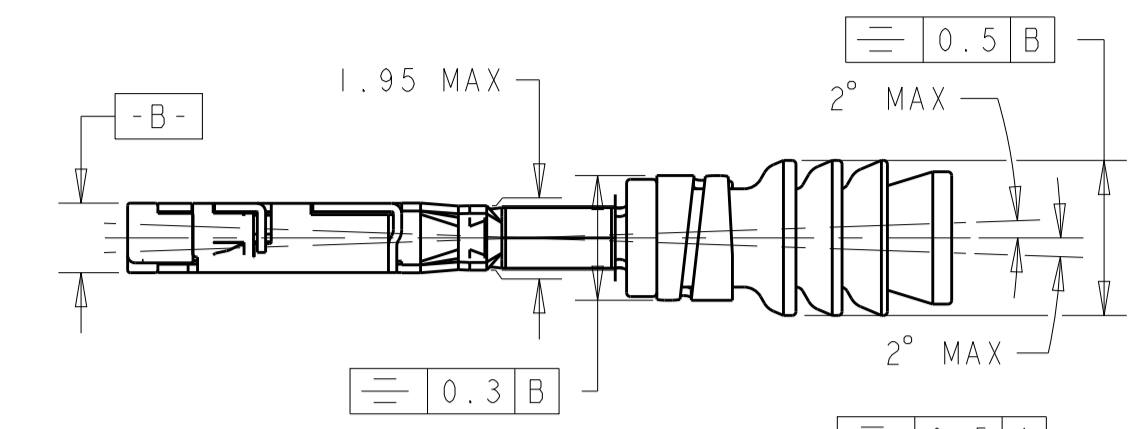
SECTION B-B  
 SHOWN WITH CPA (WHEN APPLICABLE)  
 IN IT'S LATCHED POSITION  
 FOR REFERENCE ONLY



SECTION A-A

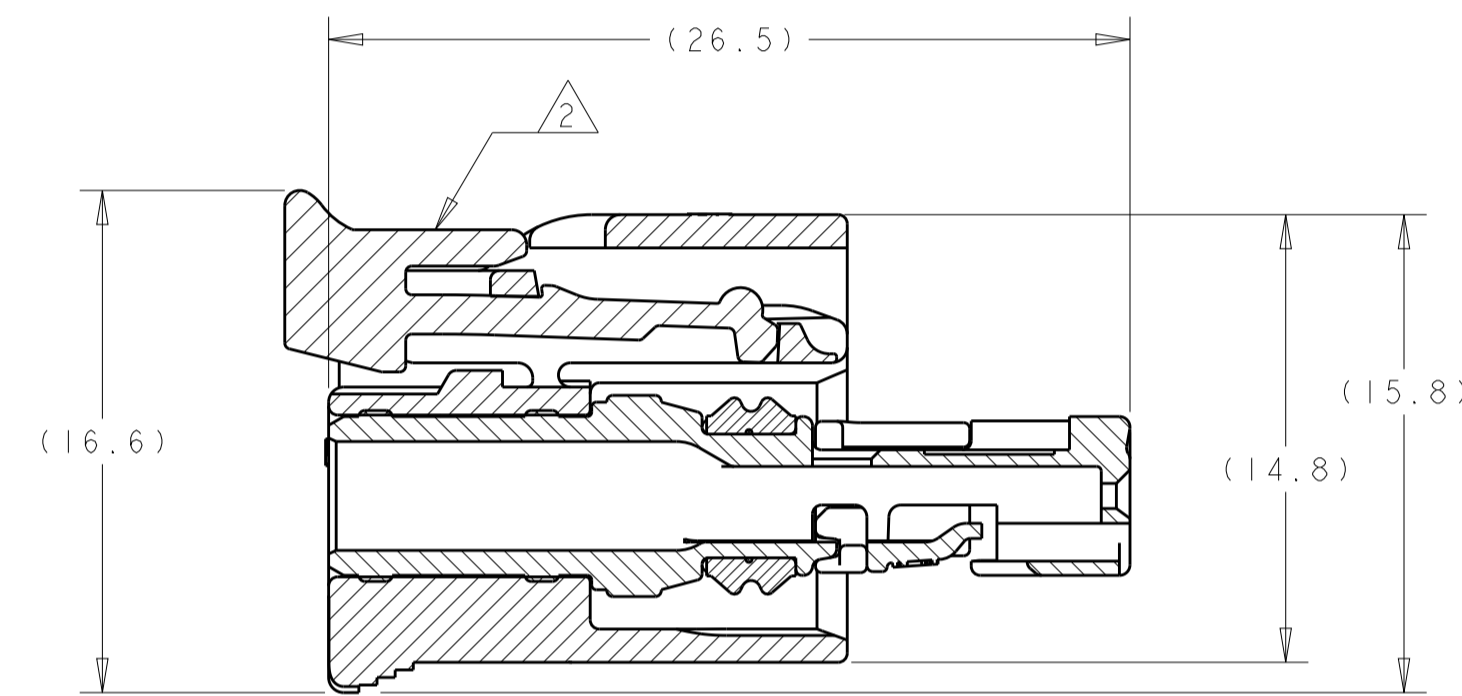


SECTION A-A  
 SHOWN WITH TPA  
 IN IT'S LATCHED POSITION  
 FOR REFERENCE ONLY

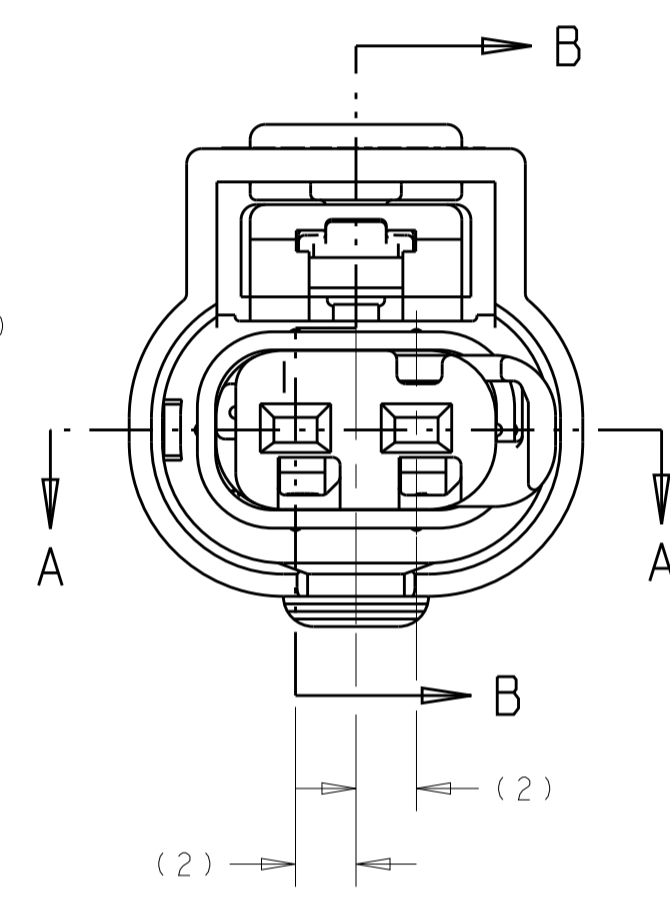


WIRE CRIMP DIMENSIONS

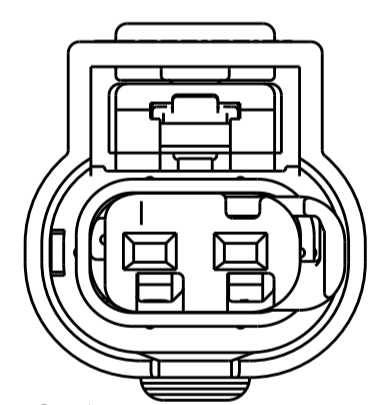
INSULATION CRIMP DIMENSIONS



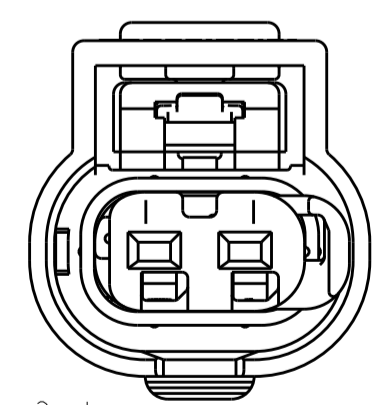
SECTION B-B



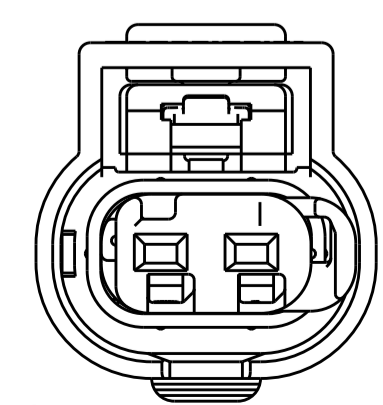
KEYING CONFIGURATIONS



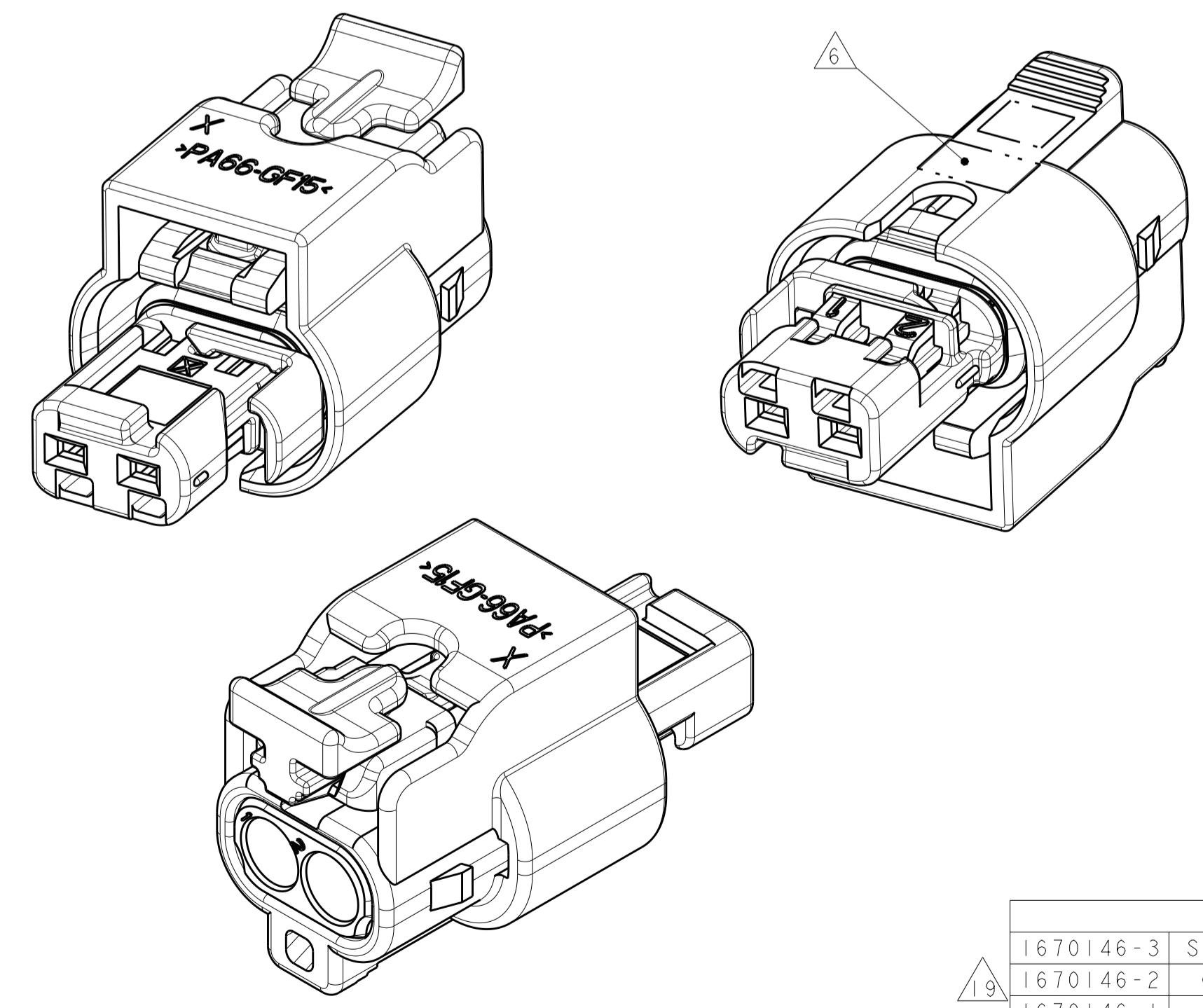
SCALE 3:1  
 KEYING OPTION A



SCALE 3:1  
 KEYING OPTION B



SCALE 3:1  
 KEYING OPTION C



ISOMETRIC VIEWS  
 1-1924067-9

| TE MCON 1.2-CB (CLEAN BODY) |         |                   |     |             |             |             |             |                       |
|-----------------------------|---------|-------------------|-----|-------------|-------------|-------------|-------------|-----------------------|
| 1670146-3                   | SILVER  | 3.6 ± 0.3         | 20  | 1.4 TO 1.9  | 0.84 ± 0.03 | 1.57 ± 0.05 | 3.25 ± 0.05 | 967067-1              |
| 1670146-2                   | GOLD    |                   |     |             |             |             |             |                       |
| 1670146-1                   | TIN     |                   |     |             |             |             |             |                       |
| 1418850-3                   | SILVER  | 3.6 ± 0.3         | 20  | 1.9 TO 2.4  | 1.11 ± 0.05 | 1.78 ± 0.05 | 3.35 ± 0.05 | 964972-1              |
| 1418850-2                   | GOLD    |                   |     |             |             |             |             |                       |
| 1418850-1                   | TIN     |                   |     |             |             |             |             |                       |
| PART NUMBER                 | PLATING | WIRE STRIP LENGTH | AWG | INSL. RANGE | W.C.H.      | W.C.W.      | I.C.D.      | WIRE SEAL PART NUMBER |

| RELEASED | RED    | 2138907-1 | BLUE    | C | 4-1924067-3 |
|----------|--------|-----------|---------|---|-------------|
| RELEASED | RED    | 2138907-1 | NATURAL | B | 4-1924067-2 |
| RELEASED | RED    | 2138907-1 | BLACK   | A | 4-1924067-1 |
| RELEASED | VIOLET | 1989913-2 | BLUE    | C | 2-1924067-1 |
| RELEASED | VIOLET | 1989913-2 | NATURAL | B | 2-1924067-0 |
| RELEASED | VIOLET | 1989913-2 | BLACK   | A | 1-1924067-9 |
| RELEASED | RED    | 1488787-1 | BLACK   | A | 1-1924067-8 |
| RELEASED | -      | -         | BLACK   | A | 1-1924067-7 |
| RELEASED | RED    | 1488787-1 | BLUE    | C | 1-1924067-6 |
| RELEASED | RED    | 1488787-1 | NATURAL | B | 1-1924067-5 |
| RELEASED | RED    | 1488787-1 | BLACK   | A | 1-1924067-4 |
| RELEASED | -      | -         | BLUE    | C | 1-1924067-3 |
| RELEASED | -      | -         | NATURAL | B | 1-1924067-2 |
| RELEASED | -      | -         | BLACK   | A | 1-1924067-1 |

| STATUS     | COLOR | PART NO | COLOR | KEY | PART NUMBER |
|------------|-------|---------|-------|-----|-------------|
| 9 OBSOLETE |       |         |       |     | 1924067-8   |
| 9 OBSOLETE |       |         |       |     | 1924067-7   |
| 9 OBSOLETE |       |         |       |     | 1924067-6   |
| 9 OBSOLETE |       |         |       |     | 1924067-5   |
| 9 OBSOLETE |       |         |       |     | 1924067-4   |
| 9 OBSOLETE |       |         |       |     | 1924067-3   |
| 9 OBSOLETE |       |         |       |     | 1924067-2   |
| 9 OBSOLETE |       |         |       |     | 1924067-1   |

THIS DRAWING IS A CONTROLLED DOCUMENT.

DIMENSIONS: mm

TOLERANCES UNLESS OTHERWISE SPECIFIED:

|        |       |
|--------|-------|
| 0 PLC  | ±0.3  |
| 1 PLC  | ±0.10 |
| 2 PLC  | ±0.10 |
| 3 PLC  | ±0.10 |
| 4 PLC  | ±0.10 |
| ANGLES | ±0.1° |

MATERIAL: SEE TABLE

FINISH: -

WEIGHT: 2.07g

CUSTOMER DRAWING

DWN: M. FORISKA, 25SEP2006

CHK: G. MARTIN, 25SEP2006

APVD: G. MARTIN, 25SEP2006

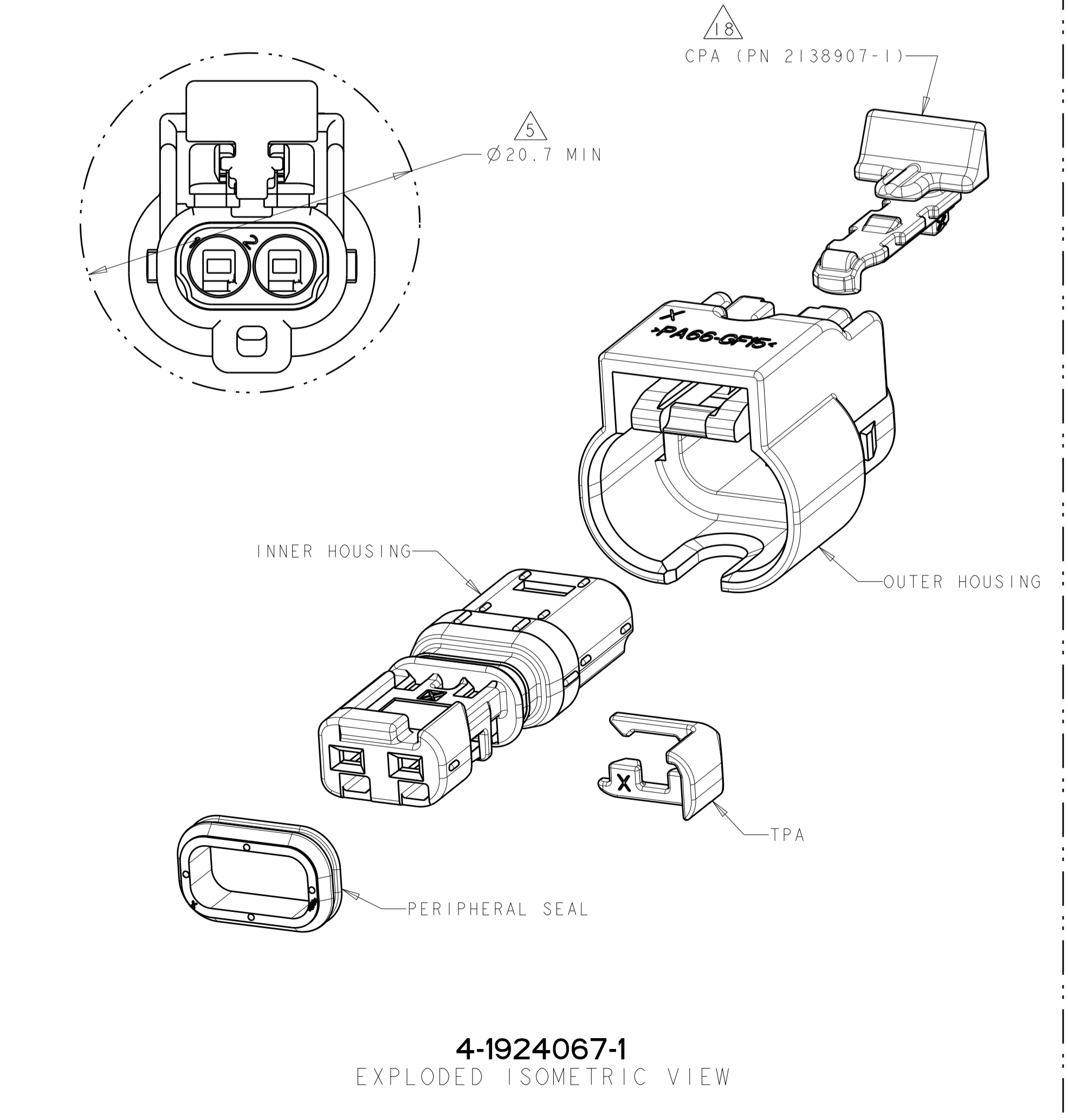
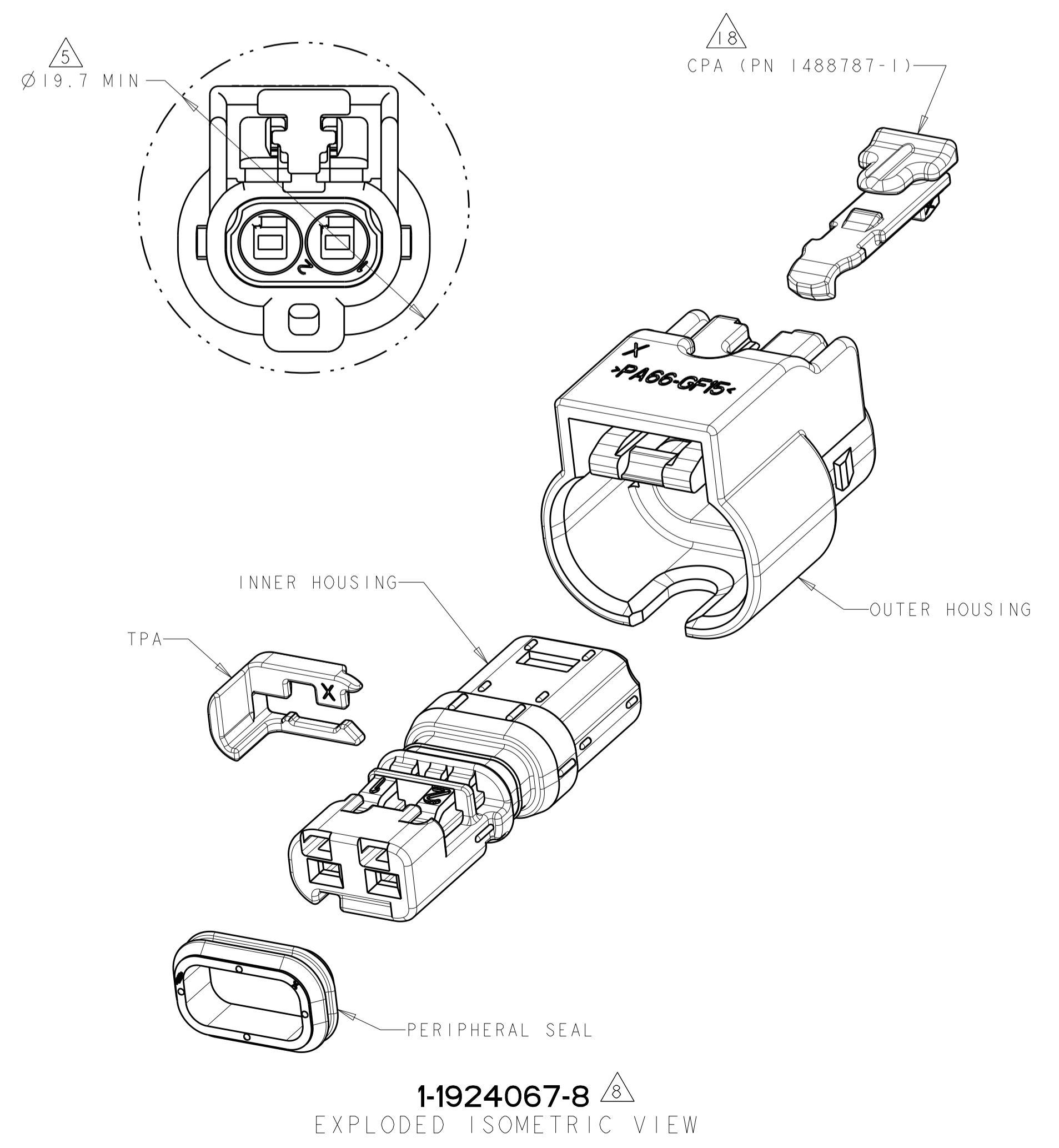
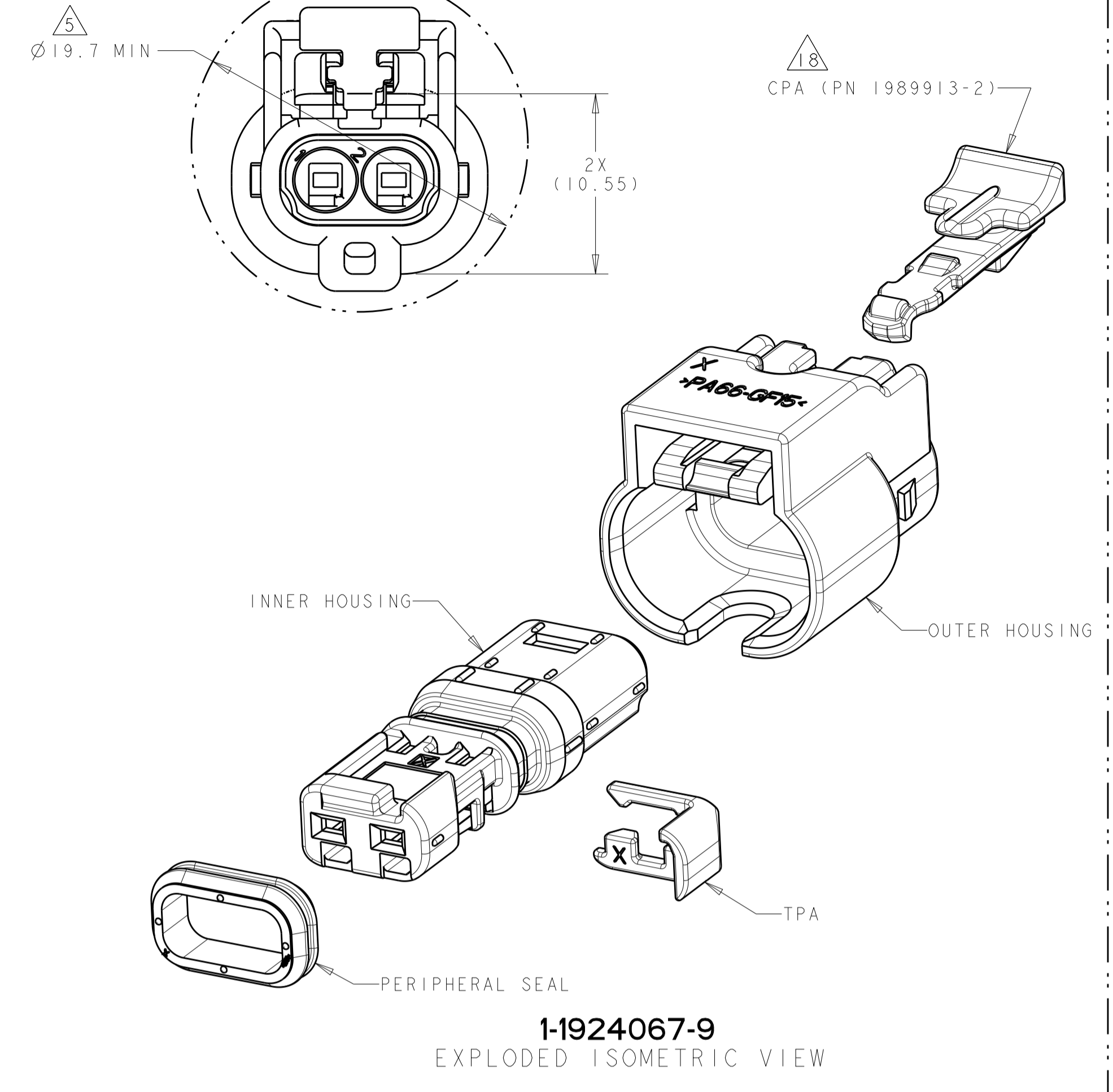
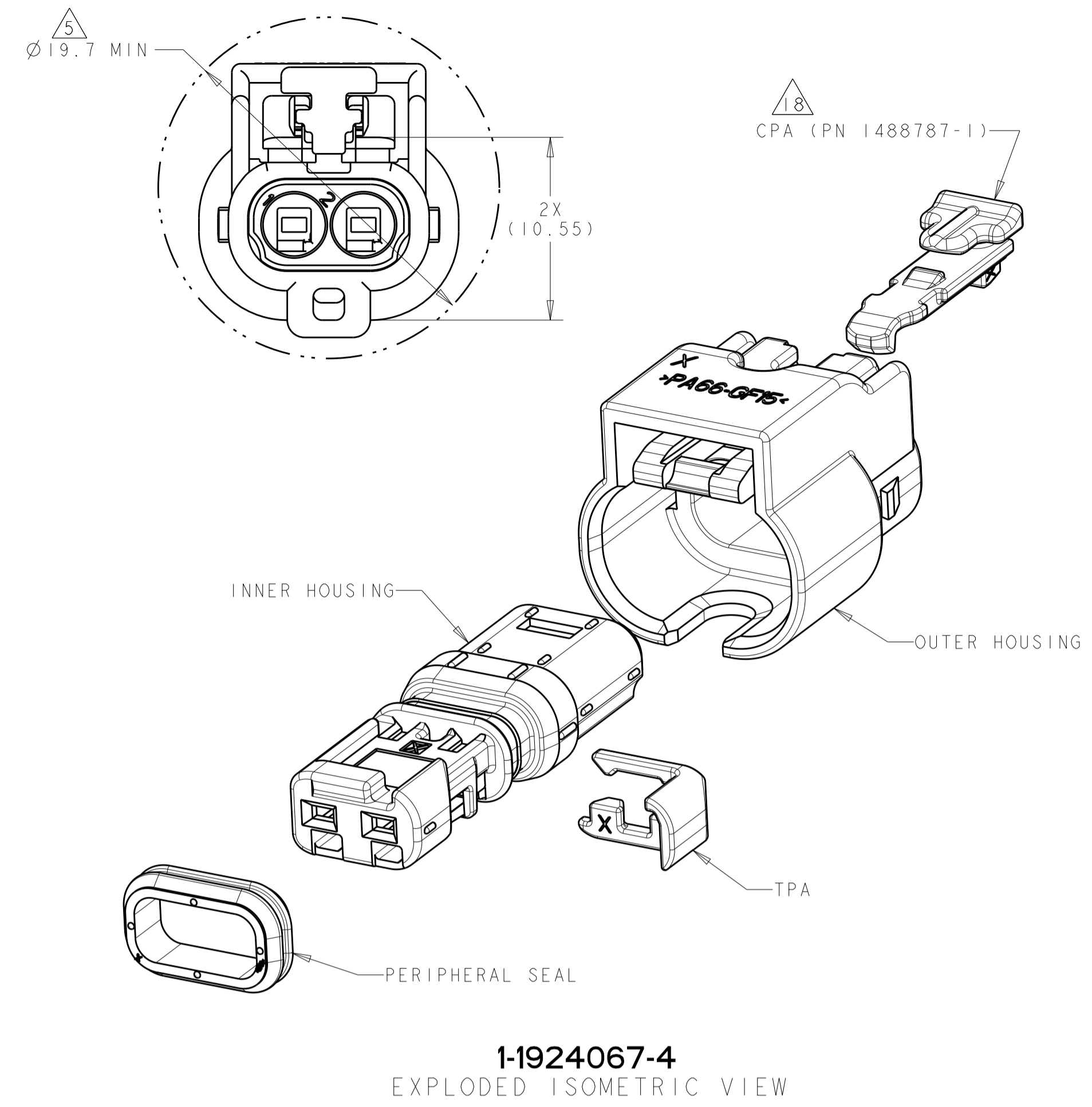
NAME: CONNECTOR ASSEMBLY, FEMALE, 2 POSITION SEALED, 1.2mm STANDARD LATCH VERSION

SIZE: A100779

SCALE: 4:1

SHEET 1 OF 2

REV: B6



| REVISIONS |     |             |      |      |
|-----------|-----|-------------|------|------|
| P.        | LTN | DESCRIPTION | DATE | APVD |
| -         | -   | SEE SHEET 1 | -    | -    |
|           |     |             |      |      |
|           |     |             |      |      |

|  |            |                           |   |
|--|------------|---------------------------|---|
| THIS DRAWING IS A CONTROLLED DOCUMENT. |            | OWN: M. FORISKA 25SEP2006 | TE Connectivity   |
| DIMENSIONS: mm                         |            | CHK: G. MARTIN 25SEP2006  |   |
| TOLERANCES UNLESS OTHERWISE SPECIFIED: |            | APVD: G. MARTIN 25SEP2006 | NAME: CONNECTOR ASSEMBLY, FEMALE, 2 POSITION SEALED, 1.2mm STANDARD LATCH VERSION |
| 0 PLC ±                                | 1 PLC ±0.3 | PRODUCT SPEC              | RESTRICTED TO   |
| 2 PLC ±0.10                            | 3 PLC ±    | APPLICATION SPEC          | SIZE: A100779   |
| 4 PLC ±                                | ANGLES ±1° | WEIGHT: 2.07g             | CAGE CODE: 1924067  |
| MATERIAL: SEE TABLE                    | FINISH: -  | CUSTOMER DRAWING          | SCALE: 4:1 SHEET 2 OF 2 REV: B6   |

# Mouser Electronics

Authorized Distributor

Click to View Pricing, Inventory, Delivery & Lifecycle Information:

[TE Connectivity:](#)

[1-1924067-3](#)