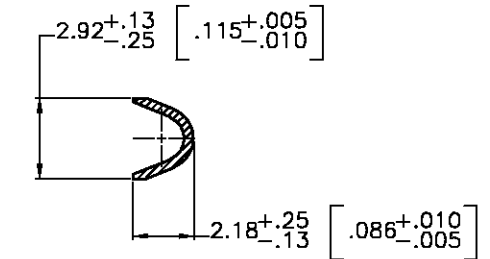
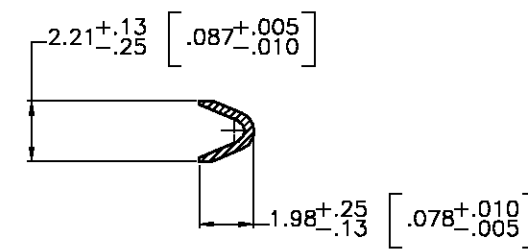
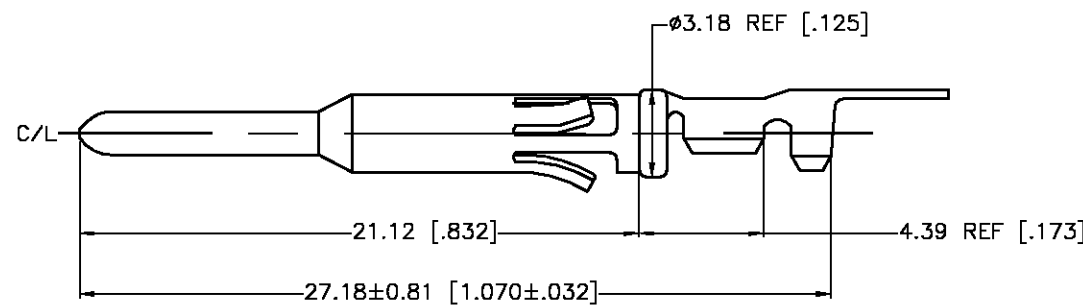
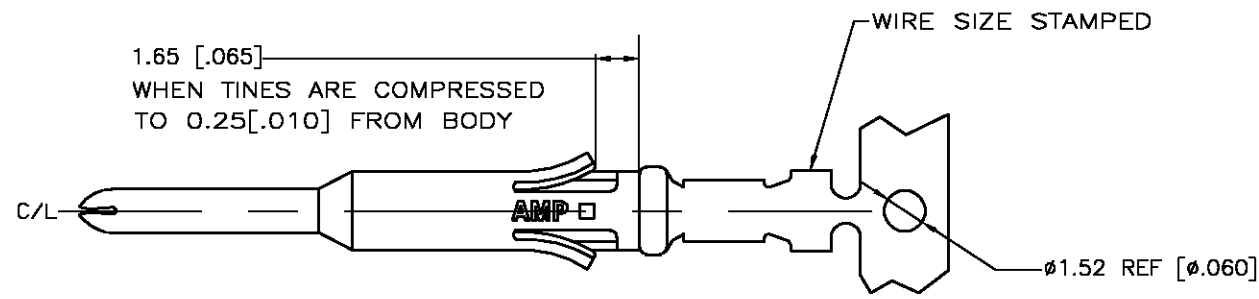


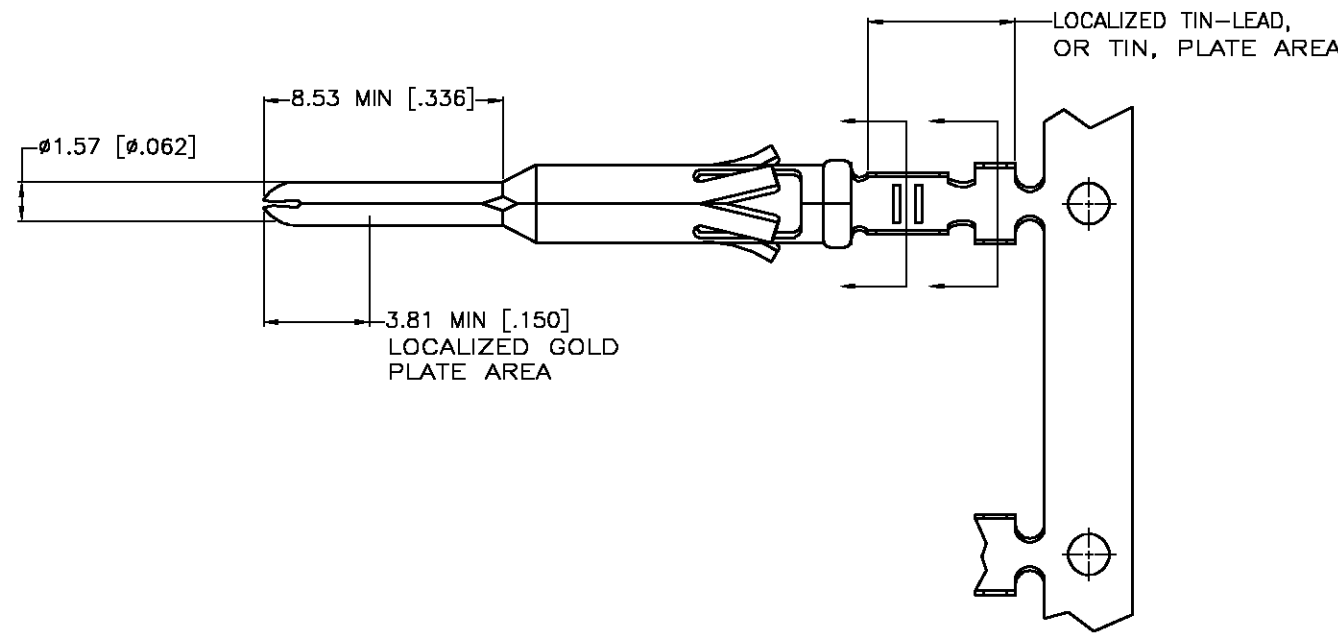
THIS DRAWING IS UNPUBLISHED. RELEASED FOR PUBLICATION  
 © COPYRIGHT BY TYCO ELECTRONICS CORPORATION. ALL RIGHTS RESERVED.

LOC	DIST	REVISIONS			
P	LTR	DESCRIPTION	DATE	DWN	APVD
FT	0	G	REV PER EC 0G3B-0963-03	12/11/03	SS GS



SECTION B-B

SECTION A-A



1. WIRE RANGE 24-20 AWG.
  2. INSULATION RANGE 1.02-2.03 [.040-.080] DIA.
  3. FOR LOOSE PIECE PART SEE DWG 66593.
- ▲ 0.76µm [.000030] MIN GOLD IN LOCALIZED GOLD PLATE AREA, 1.27µm [.000050] MIN TIN-LEAD IN LOCALIZED TIN-LEAD PLATE AREA, BOTH OVER 1.27µm [.000050] MIN NICKEL.
  - ▲ TIN PLATED.
  - ▲ GOLD PLATING PER MIL-G-45204, TIN PER MIL-T-10727 AND NICKEL PER QQ-N-290.
  - ▲ 0.76µm [.000030] MIN GOLD IN LOCALIZED GOLD PLATE AREA, 1.27µm [.000050] MIN TIN IN LOCALIZED TIN PLATE AREA, BOTH OVER 1.27µm [.000050] MIN NICKEL.

REVERSE REELED FOR MINI-APPLICATOR	4	1-66583-0
REVERSE REELED FOR MINI-APPLICATOR	4	66583-4
-	4	66583-3
REVERSE REELED FOR MINI-APPLICATOR	5	66583-2
-	5	66583-1
DESCRIPTION	FINISH	

THIS DRAWING IS A CONTROLLED DOCUMENT.		DWN V. FURLER 16MAY2003	Tyco Electronics Corporation Harrisburg, PA 17105	
DIMENSIONS: MM [INCHES]		CHK G. STEINHAUER 16MAY03	Tyco Electronics Corporation	
TOLERANCES UNLESS OTHERWISE SPECIFIED:		APVD G. STEINHAUER 16MAY03	NAME	
0 PLC ± -		PRODUCT SPEC		
1 PLC ± -		APPLICATION SPEC		
2 PLC ± 0.13 [.005]		SIZE		
3 PLC ± -		CAGE CODE		
4 PLC ± -		DRAWING NO		
ANGLES ± -		RESTRICTED TO		
MATERIAL		WEIGHT		
BRASS MIL-C-50		-		
FINISH		CUSTOMER DRAWING		
SEE TABLE		SCALE NTS		
		SHEET 1 OF 1		
		REV G		

# Mouser Electronics

Authorized Distributor

Click to View Pricing, Inventory, Delivery & Lifecycle Information:

[TE Connectivity:](#)

[66583-2](#) [66583-4](#) [1-66583-0](#)