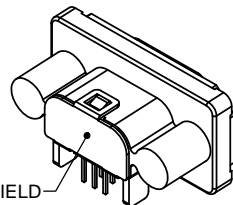
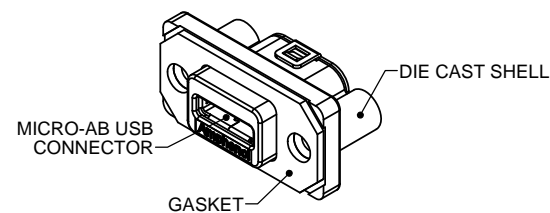


ORDERING CODE: M U S B - K 1 5 2 - X X

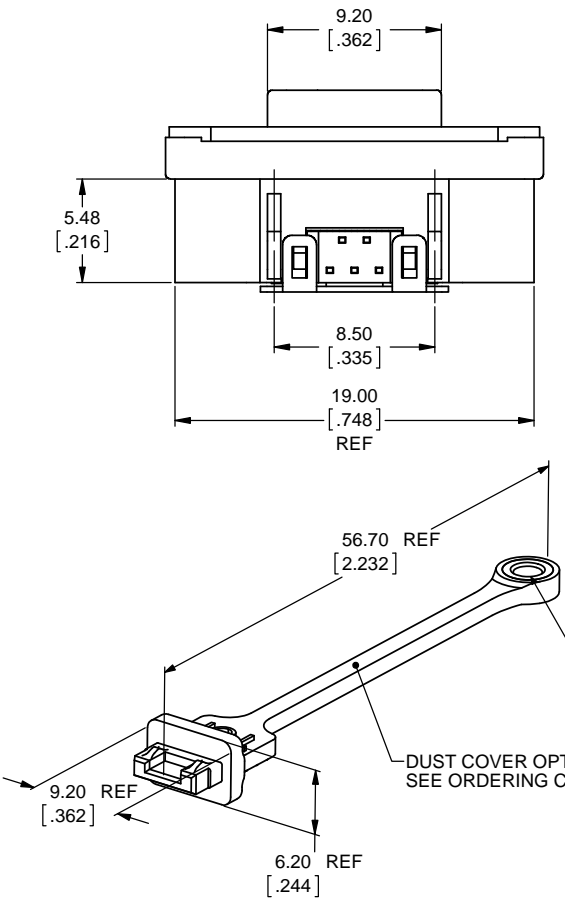
SERIES, RUGGED USB
 USB 'MICRO-AB' RECEPTACLE, SINGLE PORT, RIGHT ANGLE PCB TAILS
 THREAD OPTION
 3=#2-56 UNC THREAD
 M= M2.5 X 0.45 THREAD
 DUST COVER OPTION
 0=NO DUST COVER SUPPLIED
 1=WITH GREY DUST COVER SUPPLIED
 5=WITH BLACK DUST COVER SUPPLIED

SPECIAL CONNECTORS:
 MANY UNIQUE FEATURES ARE READILY AVAILABLE TO SUIT CUSTOMER REQUIREMENTS. CONSULT WITH AMPHENOL CANADA FOR DETAILS.



NOTES:

- MATERIAL:**
 ALL MATERIALS ARE RoHS COMPLIANT PER EU DIRECTIVE 2011/65/EU AND AMENDMENTS
 - OUTER SHELL: DIE CAST ZINC ALLOY, NICKEL PLATED
 - CONTACTS: COPPER ALLOY, PLATED WITH 0.76µm [30µ"] GOLD OVER 1.27µm [50µ"] MINIMUM NICKEL ON THE MATING AREA WITH MATTE TIN OVER NICKEL ON THE TAILS.
 - USB HOUSING: ENGINEERING THERMOPLASTIC, FLAMMABILITY RATING UL94V-0, GREY.
 - USB SHELL & REAR SHIELD: STAINLESS STEEL, PASSIVATED.
 - PANEL GASKET: PORON, BLACK.
- ENVIRONMENTAL PERFORMANCE PER IEC 60529 CODE IP67 FOR SEAL BETWEEN MATING AREA & PCB SIDE OF CONNECTOR. GASKET PROVIDES SEAL TO INSIDE FACE OF ENCLOSURE PANEL. AVAILABLE DUST COVER PROVIDES ADDED PROTECTION. SEE SHEET 2 FOR APPLICATION VIEW.**
- CURRENT RATING: 1 A FOR SIGNAL POSITIONS 2, 3 & 4 OR 1.8 A FOR POWER POSITIONS 1 & 5 WITH 0.5 A ON SIGNAL LINES.**
- CONTACT RESISTANCE: 30 MILLIOHMS MAXIMUM.**
- OPERATING TEMPERATURE: -40°C TO +105°C.**
- DUST COVERS MAY BE ORDERED SEPARATELY. SPECIFY**
 - PART NUMBER MUSB-2K15-005BP FOR GREY DUST COVER
 - PART NUMBER MUSB-2K15-015BP FOR BLACK DUST COVER



UNLESS SPECIFIED OTHERWISE	DRAWN	M.SHAH	MAY25/11
PRIMARY UNITS MILLIMETERS	CHECKED	K.LAMBIE	MAY25/11
SECONDARY UNITS INCHES	M.E. APP'D		
REFERENCE IN PARENTHESES	Q.A. APP'D		
GENERAL TOLERANCES	DWG APPR.		
1 DECIMAL PLACE	ENG. REL. NO.	EAR 13873	
2 DECIMAL PLACES ±0.15	REF.		
3 DECIMAL PLACES	THIRD ANGLE PROJECTION		
ANGULAR DEGREES	DO NOT SCALE DRAWING		

Amphenol Canada Corp.
 www.amphenolcanada.com

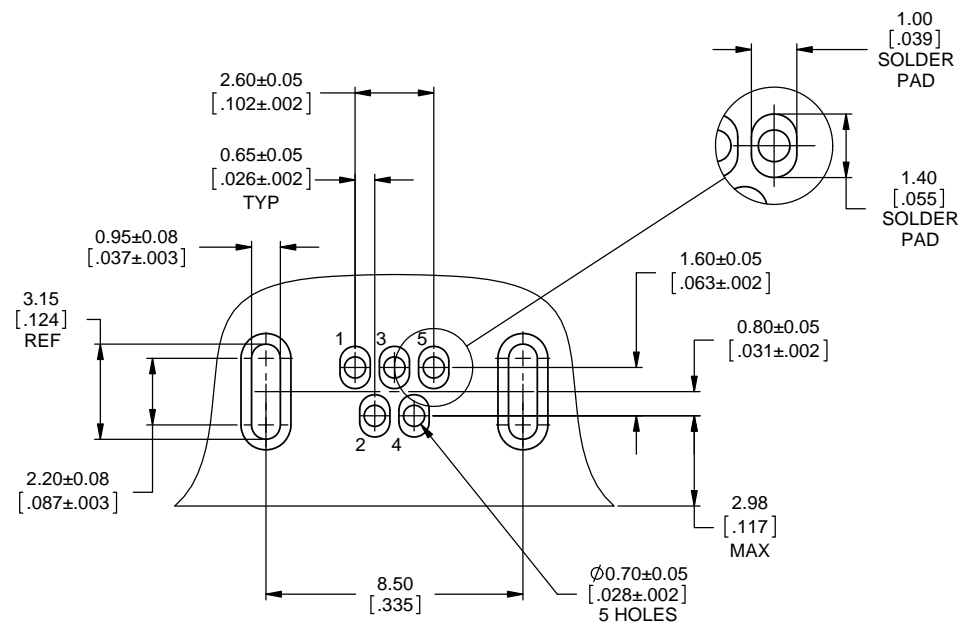
MUSB SERIES RUGGED MICRO-AB USB RECEPTACLE, RIGHT ANGLE PCB MOUNT, RoHS COMPLIANT

DWG. NO. **P-MUSB-K152-XX** REV **F**

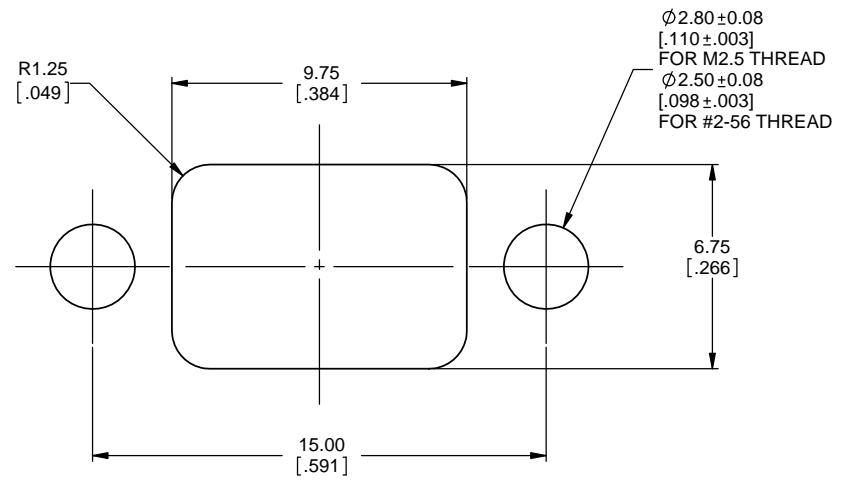
CODE ID NO. 03554 DWG SIZE: X SCALE: 6:1 SHEET 1 OF 2

REVISIONS			
REV	DESCRIPTION, ECN, EAR NO.	DATE	APP'D
E	REV PER EAR 14292	AUG6/14	K.L.
F	REV PER EAR 14388	AUG25/15	K.L.

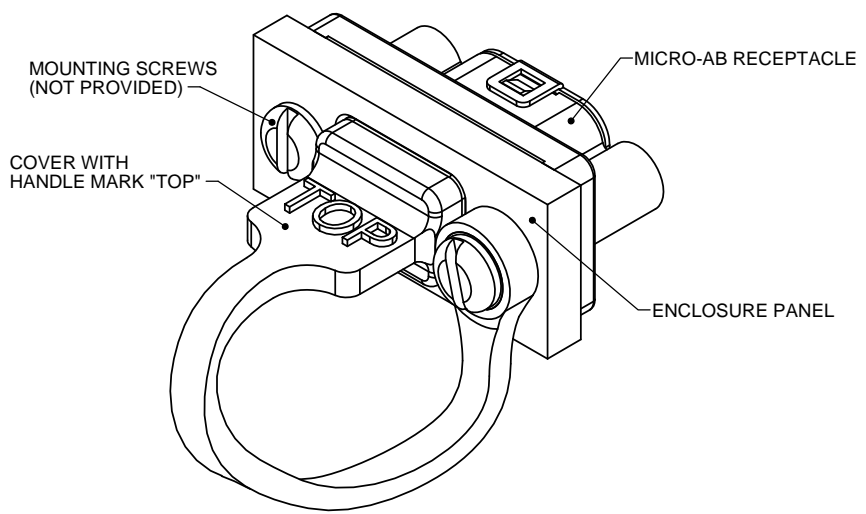
REVISIONS			
REV	DESCRIPTION, ECN, EAR NO.	DATE	APP'D
E	REV PER EAR 14292	AUG6/14	K.L.
F	REV PER EAR 14388	AUG25/14	K.L.



RECOMMENDED P.C.B. LAYOUT
COMPONENT SIDE OF BOARD



RECOMMENDED PANEL CUTOUT



DUST COVER APPLICATION



UNLESS SPECIFIED OTHERWISE	DRAWN	M.SHAH	MAY25/11
PRIMARY UNITS MILLIMETERS	CHECKED	K.LAMBIE	MAY25/11
SECONDARY INCHES	M.E. APP'D		
REFERENCE IN PARENTHESES	Q.A. APP'D		
GENERAL TOLERANCES	DWG APPR.		
1 DECIMAL PLACE	ENG. REL. NO.	EAR 13873	
2 DECIMAL PLACES ±0.15	REF.		
3 DECIMAL PLACES	THIRD ANGLE PROJECTION		
ANGULAR DEGREES	DO NOT SCALE DRAWING		

Amphenol Canada Corp. www.amphenolcanada.com		
MUSB SERIES RUGGED MICRO-AB USB RECEPTACLE, RIGHT ANGLE PCB MOUNT, RoHS COMPLIANT		
DWG. NO.	REV	
P-MUSB-K152-XX	F	
CODE ID NO. 03554	DWG SIZE: X	SCALE: 6:1
SHEET 2 OF 2		

THIS DOCUMENT CONTAINS PROPRIETARY INFORMATION AND SUCH INFORMATION MAY NOT BE DISCLOSED TO OTHERS FOR ANY PURPOSE OR USED FOR MANUFACTURING PURPOSES WITHOUT WRITTEN PERMISSION FROM AMPHENOL CANADA CORP.

Mouser Electronics

Authorized Distributor

Click to View Pricing, Inventory, Delivery & Lifecycle Information:

Amphenol:

[MUSB-D511-00](#) [MUSB-B151-34](#) [MUSB-E151-34](#) [MUSB-B551-041](#) [MUSB-B151-30](#) [MUSB-E151-341](#)
[MUSBE55100](#) [MUSBB551042](#) [MUSB2D11003BP](#) [MUSBC111M02](#) [MUSBB151M02](#) [MUSBC111305](#) [MUSBB551045](#)
[MUSB-D311-301](#) [MUSB-D511-N0](#) [MUSBB151341](#) [MUSB-E151-31](#) [MUSB-B151-05](#) [MUSBAA1130](#) [MUSBK152001](#)
[MUSBB15104](#) [MUSBA21131](#) [MUSBE15130](#) [MUSBA111M5](#) [MUSBE15100](#) [MUSBE551N0](#) [MUSBE151M5](#)
[MUSBC51101](#) [MUSBD21131](#) [MUSBB551N4](#) [MUSBA41130](#) [MUSBB15101](#) [MUSBB551N1](#) [MUSBA31135](#)
[MUSBB15100](#) [MUSBB15131](#) [MUSBA211M1](#) [MUSBC511N0](#) [MUSBE55105](#) [MUSBC211M5](#) [MUSBD51101](#)
[MUSBB151M5](#) [MUSBC111M1](#) [MUSBC21135](#) [MUSBA311M5](#) [MUSBD511N5](#) [MUSBA81130](#) [MUSBE551N4](#)
[MUSBD511N1](#) [MUSBB151N5](#) [MUSBB151M1](#) [MUSBA111M1](#) [MUSBA211M0](#) [MUSBC11131](#) [MUSBA311M1](#)
[MUSBB151M0](#) [MUSBB151N1](#) [MUSBAA11M0](#) [MUSBE55104](#) [MUSBA411M0](#) [MUSBC111M5](#) [MUSBB551N5](#)
[MUSBC51105](#) [MUSBC211M1](#) [MUSBB551N0](#) [MUSBDA1130](#) [MUSBB151N0](#) [MUSBE15105](#) [MUSBC511N1](#)
[MUSBA31131](#) [MUSBD51105](#) [MUSBE55101](#) [MUSBA211M5](#) [MUSBAA1135](#) [MUSBE151M0](#) [MUSBC21131](#)
[MUSBE15101](#) [MUSBE551N1](#) [MUSBE15135](#) [MUSBA21135](#) [MUSBA311M0](#) [MUSBC211M0](#) [MUSBB15135](#)
[MUSBB55105](#) [MUSB-C311-30](#) [MUSB-A211-30](#) [MUSB-C511-00](#) [MUSB-A311-30](#) [MUSBD21130](#) [MUSBA111M0](#)
[MUSBA11135](#) [MUSBC41130](#) [MUSB-A111-30](#) [MUSB-C211-30](#) [MUSB-B551-04](#) [MUSBE15104](#) [MUSBA11131](#)
[MUSB-B551-03](#) [MUSBC311M5](#) [MUSBC41135](#)