



Amphenol

BACKSHELLS

For LJT, RNJ, RNJ LP, JT, TV-CTV, SC39 AND SJT CONNECTORS



For MIL-DTL-38999 series I,II,III and VG96912 connectors

www.38999-solutions.com - www.amphenol-socapex.com



BACKSHELLS

■ ■ ■ TABLE OF CONTENTS

GENERAL CHARACTERISTICS.....	page 3
BACKSHELLS FOR SHIELDING.....	page 4
NSA and SA backshells	page 4
SQ backshells	page 6
NSB backshells	page 7
BAND BACKSHELLS FOR SHIELDING.....	page 8
HE308-35 and TV35 backshells	page 8
SBC backshells.....	page 10
Integrated backshells.....	page 13
STRAIN RELIEFS.....	page 13
ADAPTERS FOR HEAT-SHRINK MOULDED PIECES	page 15
NSD backshells.....	page 15
BACKSHELLS FOR POTTING.....	page 15
RPD backshells	page 15
RPC backshells	page 16
HEAT-SHRINK MOULDED PIECES	page 17
HOW TO ORDER	page 18
TORQUE VALUE FOR REAR ACCESSORIES.....	page 19
CROSS REFERENCES.....	page 19



■ ■ ■ GENERAL CHARACTERISTICS

Main features

- Shell material
 - Aluminium alloy
 - Marine bronze
 - For composite, please consult us
- Finish
 - Olive drab cadmium plating
 - Electroless nickel plating
 - For others, please consult us
- 9 shell sizes per model
- Straight or right angled versions
- Working temperature
 - From - 65°C to + 175°C with olive drab cadmium plating
 - From - 65°C to + 200°C with electroless nickel plating
- French standard qualification capability (UTE 93422)

For specific backshells for marine applications and 217 backshells, please consult us.

Description

You will find hereafter Amphenol Socapex backshells for LJT (MIL-DTL-38999 series I / HE308), RNJ (HE308), RNJ LP, TV-CTV (MIL-DTL-38999 series III), SC39 and SJT (VG96912) connectors, as well as specific light weight backshells for JT (MIL-DTL-38999 series II) connectors. These rear accessories enhance the performance capabilities of the connectors for both general duty and severe environment applications.

Different technologies are used in order to ensure the following functions:

- EMI shielding
- cable retention
- sealing

This large choice of rear accessories provides you with the right solution for your connector/backshell interconnection.

Applications

Military and aeronautic applications: battlefields, ground vehicles, aircrafts.

Advanced industrial applications with specific climatic, mechanical or electrical requirements.

BACKSHELLS

BACKSHELLS FOR SHIELDING

These backshells, providing an electrical continuity between cable and connector, ensure a high level of EMI/RFI protection. The sealing is ensured by straight or right angled heat shrink moulded piece at the rear of the backshell.

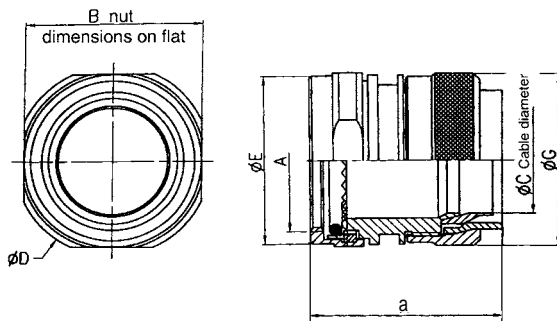
NSA and SA backshells

LJT NSA (HE308-13) suitable for LJT (MIL-DTL-38999 series I / HE308), RNJ (HE308) and SJT (VG96912) connectors.

JT SA suitable for JT (MIL-DTL-38999 series II) connectors.

TV NSA suitable for TV-CTV (MIL-DTL-38999 series III), SC39 and RNJ LP connectors.

NSA and SA backshells ensure the shielding by clamping the braid with a screwing system. The free inner ring avoids twisting of the braid during screwing. For straight or right angled heat shrink moulded pieces, please refer to page 17-18.



LJT NSA & JT SA

a = 31.79 mm (1,252 in) max

Size		A Thread UNEF-2B	B max mm (in)	C max mm (in)	ø E max mm (in)	ø G max ^{+0.2} _{0.5} mm (in)
LJT	JT/SJT					
09	08	.4375-28	16.70 (0.658)	6.90 (0.272)	15.20 (0.598)	16.40 (0.646)
11	10	.5625-24	20.70 (0.815)	9.60 (0.378)	18.40 (0.724)	19.53 (0.769)
13	12	.6875-24	22.70 (0.894)	12.70 (0.500)	21.60 (0.850)	22.60 (0.890)
15	14	.8125-20	25.70 (1.012)	14.80 (0.583)	24.80 (0.976)	25.80 (1.016)
17	16	.9375-20	28.70 (1.130)	17.90 (0.705)	28.00 (1.102)	28.80 (1.134)
19	18	1.0625-18	31.70 (1.248)	19.90 (0.784)	31.00 (1.221)	31.80 (1.252)
21	20	1.1875-18	35.70 (1.406)	23.10 (0.909)	34.20 (1.347)	33.87 (1.334)
23	22	1.3125-18	38.70 (1.524)	26.20 (1.032)	37.40 (1.472)	36.90 (1.453)
25	24	1.4375-18	41.70 (1.642)	28.80 (1.134)	40.60 (1.598)	41.52 (1.635)

TV NSA

a = 35.60 mm (1.402 in) max

Size	A Thread Metric	B max mm (in)	C max mm (in)	Ø E max mm (in)	Ø G max ^{+0.2} _{0.5} mm (in)
09	M12 x 1.0 – 6H	16.70 (0.658)	6.90 (0.272)	15.62 (0.615)	16.50 (0.650)
11	M15 x 1.0 – 6H	20.70 (0.815)	9.60 (0.378)	18.62 (0.733)	19.40 (0.764)
13	M18 x 1.0 – 6H	22.70 (0.894)	12.70 (0.500)	21.64 (0.852)	22.60 (0.890)
15	M22 x 1.0 – 6H	25.70 (1.012)	14.80 (0.583)	25.60 (1.008)	25.80 (1.016)
17	M25 x 1.0 – 6H	28.70 (1.130)	17.90 (0.705)	28.50 (1.122)	29.00 (1.142)
19	M28 x 1.0 – 6H	31.70 (1.248)	19.90 (0.784)	31.62 (1.245)	32.00 (1.260)
21	M31 x 1.0 – 6H	35.70 (1.406)	23.10 (0.909)	34.11 (1.343)	35.20 (1.386)
23	M34 x 1.0 – 6H	38.70 (1.524)	26.20 (1.032)	37.13 (1.462)	38.40 (1.512)
25	M37 x 1.0 – 6H	41.70 (1.642)	28.80 (1.134)	40.13 (1.580)	41.50 (1.634)

ASSEMBLY INSTRUCTIONS FOR NSA and SA backsells

1. Prepare the cable for termination process and slide onto the cable the items in the order shown on figure 1.
2. Screw the backshell at the rear of the connector.
3. Fold back the braid on the outer jacket and fix it (figure 2)
4. Install the braid as shown on figures 3 and 4: Release the braid and cover the backshell (a) and the connector's shell. Slide the first ring (b) over the braid. Fold back the braid on the ring (b) and slide the second ring (c) over the braid and the first ring (b). Screw the last ring (d) at the rear of the backshell. If necessary, fix the extra braid on the outer jacket of the cable. If this installation (double folding of the braid) is not possible, refer to figure 5: Slide the first ring (b). Release the braid and cover the backshell (a) and the connector's shell. Cut the braid as shown. Slide the second ring (c) over the braid and the first ring (b). Screw the last ring at the rear of the backshell.
5. Install the heat-shrink moulded piece.

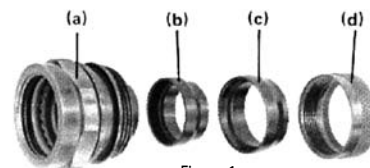


Figure 1



Figure 2

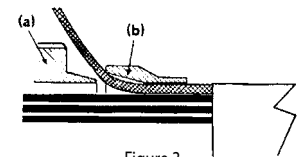


Figure 3

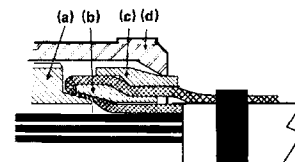


Figure 4

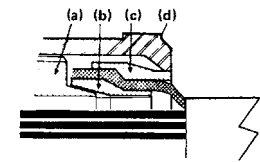


Figure 5

For ordering information, please refer to page 18

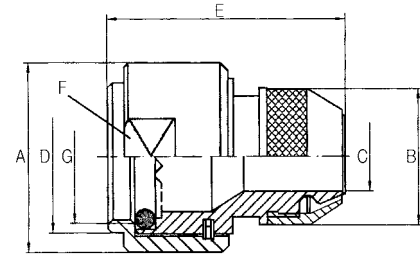
BACKSHELLS

BACKSHELLS FOR SHIELDING

SQ backshells

LJT SQ suitable for SJT (VG96912) connectors.

SQ backshells ensure the shielding by clamping the braid with a screwing system. For straight or right angled heat shrink moulded pieces, please refer to page 17-18.



Size	$\varnothing A^{+0.2}_{-0.2}$ mm (in)	$\varnothing B^{+0.3}$ mm (in)	$\varnothing C^{+0.2}$ mm (in)	$\varnothing D \text{ max}$ mm (in)	E max mm (in)	F ^{-0.2} mm (in)	G Thread UNEF-2B
08	19.00 (0.748)	14.00 (0.551)	6.20 (0.244)	16.00 (0.630)	30.00 (1.181)	17.00 (0.670)	7/16-28
10	22.00 (0.867)	16.00 (0.630)	7.00 (0.276)	19.00 (0.748)	30.00 (1.181)	20.00 (0.787)	9/16-24
12	25.00 (0.984)	18.00 (0.709)	9.50 (0.374)	22.00 (0.867)	30.00 (1.181)	23.00 (0.906)	11/16-24
14	28.00 (1.102)	22.00 (0.867)	12.50 (0.492)	25.10 (0.988)	33.00 (1.300)	26.00 (1.024)	13/16-20
16	30.00 (1.181)	25.00 (0.984)	15.50 (0.610)	28.30 (1.114)	33.00 (1.300)	28.00 (1.102)	15/16-20
18	34.00 (1.339)	28.00 (1.102)	18.50 (0.728)	31.30 (1.232)	34.00 (1.339)	32.00 (1.260)	11/16-18
20	38.00 (1.496)	32.00 (1.260)	21.50 (0.846)	34.50 (1.358)	36.00 (1.417)	36.00 (1.417)	13/16-18
22	43.00 (1.693)	34.00 (1.339)	23.50 (0.925)	37.70 (1.484)	36.00 (1.417)	41.00 (1.614)	15/16-18
24	45.00 (1.772)	38.00 (1.496)	27.5 (1.083)	40.80 (1.606)	36.00 (1.417)	43.00 (1.693)	17/16-18

ASSEMBLY INSTRUCTIONS FOR SQ backshells

1. Prepare the cable for termination process.
2. Screw the backshell at the rear of the connector.
3. Install the braid as shown on figure 1: Release the braid and cover the backshell conus. Maintain the braid on the conus with a small diameter wire in the groove. Fold back the braid on itself and cut it as shown. Screw the ring over the braid without twisting it.
4. Install the heat-shrink moulded piece.

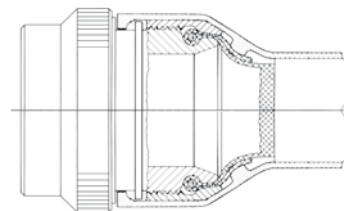


Figure 1

For ordering information, please refer to page 18

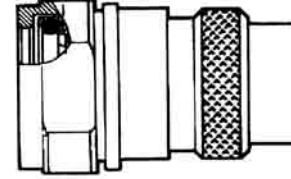


BACKSHELLS FOR SHIELDING

NSB backshells

LJT NSB suitable for LJT (MIL-DTL-38999 series I / HE308), RNJ (HE308) and SJT (VG96912) connectors.

NSB backshells ensure the shielding by a tinned rear part to allow soldering of the braid. For straight or right angled heat shrink moulded pieces, please refer to page 17-18.



Size	Ø A mm (in)	Ø B ±0.2 mm (in)	Ø C max mm (in)	D* min mm (in)	E max mm (in)	F** max mm (in)
9	12.60 (0.496)	20.00 (0.787)	16.00 (0.630)	7.80 (0.307)	9.50 (0.374)	16.80 (0.661)
11	16.40 (0.646)	23.00 (0.906)	19.00 (0.748)	10.80 (0.425)	12.50 (0.492)	20.80 (0.819)
13	20.00 (0.787)	26.00 (1.024)	22.00 (0.866)	13.10 (0.516)	15.50 (0.610)	22.80 (0.898)
15	22.00 (0.866)	29.00 (1.142)	25.10 (0.988)	16.30 (0.642)	18.50 (0.728)	25.80 (1.016)
17	24.60 (0.969)	32.00 (1.260)	28.30 (1.114)	19.00 (0.748)	21.50 (0.847)	28.80 (1.134)
19	27.50 (1.083)	35.00 (1.378)	31.30 (1.232)	21.70 (0.854)	24.00 (0.945)	31.80 (1.252)
21	31.90 (1.256)	39.00 (1.536)	34.50 (1.358)	24.90 (0.980)	27.00 (1.063)	35.80 (1.409)
23	35.00 (1.378)	42.00 (1.654)	37.70 (1.484)	28.10 (1.106)	30.50 (1.201)	38.80 (1.528)
25	38.80 (1.528)	45.00 (1.772)	40.80 (1.606)	31.20 (1.228)	33.50 (1.319)	41.80 (1.646)

* max permissible cable outside diameter
** dimension over the flats (4 flats)

NSB backshells

1. Prepare the cable for termination process.
2. Screw the backshell at the rear of the connector.
3. If possible, protect the conductors with an insulating tube or tape (e) inserted between them and the backshell.
4. Install the braid as shown of figure 1.
5. Install the heat-shrink moulded piece.



Figure 2

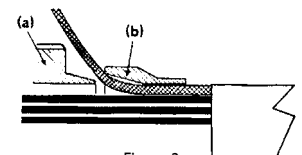


Figure 3

For ordering information, please refer to page 18

BACKSHELLS

BAND BACKSHELLS FOR SHIELDING

These band backsells provide a full 360° shield termination. They are available with different cabling chamber lengths and exit diameters. The use of replaceable bands facilitates future maintenance or reparability. The sealing is ensured by-straight or right angled heat shrink moulded piece at the rear of the backshell.

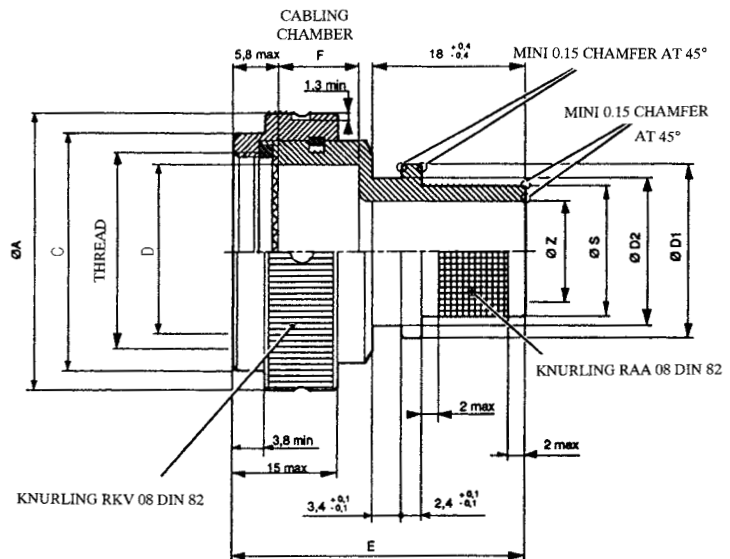
HE308-35 and TV35 backsells

HE308-35 suitable for LJT (MIL-DTL-38999 series I / HE308), RNJ (HE308) and SJT (VG96912) connectors.

TV35 suitable for TV-CTV (MIL-DTL-38999 series III), SC39 and RNJ LP connectors.

TVB35 suitable for TV bronze connectors.

These straight band backsells provide a full 360° shield termination with a quick, easy and cost effective cabling process. For straight or right angled heat shrink moulded pieces, please refer to page 17-18.



Size	HE308-35 only				TV35 and TVB35 only			
	Ø A max mm (in)	B Thread UNEF-2B	Ø C mm (in)	Ø D mm (in)	Ø A max mm (in)	B Thread Metric	Ø C mm (in)	Ø D mm (in)
09	21.40 (0.843)	0.4375-28	15.20 (0.598)	7.80 (0.307)	24.30 (0.957)	M12 x 1.0-6H	18.00 (0.709)	7.80 (0.307)
11	24.30 (0.957)	0.5625-24	18.40 (0.724)	10.80 (0.425)	27.40 (1.079)	M15 x 1.0-6H	21.00 (0.827)	10.99 (0.433)
13	27.40 (1.079)	0.6875-24	21.60 (0.850)	13.10 (0.516)	31.80 (1.252)	M18 x 1.0-6H	25.00 (0.984)	13.80 (0.543)
15	31.80 (1.252)	0.8125-20	24.80 (0.976)	16.30 (0.642)	35.00 (1.378)	M22 x 1.0-6H	28.00 (1.102)	16.30 (0.642)
17	35.00 (1.378)	0.9375-20	28.00 (1.102)	19.50 (0.768)	38.10 (1.500)	M25 x 1.0-6H	30.80 (1.213)	20.10 (0.791)
19	38.10 (1.500)	1.0625-18	31.00 (1.220)	21.70 (0.854)	41.20 (1.622)	M28 x 1.0-6H	34.10 (1.343)	22.93 (0.903)
21	41.20 (1.622)	1.1875-18	34.20 (1.347)	24.90 (0.980)	44.30 (1.744)	M31 x 1.0-6H	36.90 (1.453)	26.00 (1.024)
23	44.30 (1.744)	1.3125-18	37.40 (1.472)	28.10 (1.106)	47.20 (1.858)	M34 x 1.0-6H	39.80 (1.567)	29.28 (1.153)
25	47.20 (1.858)	1.4375-18	40.60 (1.599)	31.20 (1.228)	50.00 (1.969)	M37 x 1.0-6H	43.00 (1.693)	32.45 (1.278)



■ ■ ■ BAND BACKSHELLS FOR SHIELDING

Size	E max mm (in)	Cabling chamber length F ^{±0.1} mm (in)	Z rear side diameter		Ø S min/max mm (in)	Ø D1 ^{±0.1} mm (in)	Ø D2 ^{±0.1} mm (in)
			Coding 1/32 of Inch	Dimension min mm (in)			
09	36 (1.417)	10 (0.394)	08	6.30 (0.248)	9.40/9.50 (0.370/0.374)	14.00 (0.551)	11.40 (0.449)
11	36 (1.417)	10 (0.394)	12	9.40 (0.370)	12.60/12.70 (0.496/0.500)	17.10 (0.673)	14.50 (0.571)
13	36 (1.417) 36 or 56 (1.417 or 2.204)	10 (0.394) 10 or 30 (0.394 or 1.181)	12 16	9.40 (0.370) 12.60 (0.496)	12.60/12.70 (0.496/0.500) 15.70/15.90 (0.618/0.626)	17.10 (0.673) 20.30 (0.799)	14.50 (0.571) 17.70 (0.697)
15	36 (1.417) 36 (1.417) 36 or 56 (1.417 or 2.204)	10 (0.394) 10 (0.394) 10 or 30 (0.394 or 1.181)	10 14 20	7.80 (0.307) 11.00 (0.433) 15.80 (0.622)	11.1/11.2 (0.437/0.440) 14.10/14.30 (0.555/0.563) 18.90/19.10 (0.744/0.752)	15.5 (0.610) 18.70 (0.736) 23.50 (0.925)	12.9 (0.508) 16.10 (0.634) 20.90 (0.823)
17	36 (1.417) 51 (2.008) 36 or 56 (1.417 or 2.204)	10 (0.394) 25 (0.984) 10 or 30 (0.394 or 1.181)	16 12 24	12.60 (0.496) 9.40 (0.370) 19.00 (0.748)	15.70/15.90 (0.618/0.626) 12.60/12.70 (0.496/0.500) 22.00/22.20 (0.866/0.874)	20.30 (0.799) 17.10 (0.673) 26.70 (1.051)	17.70 (0.697) 14.50 (0.571) 23.10 (0.909)
19	36 (1.417) 36 or 56 (1.417 or 2.204)	10 (0.394) 10 or 30 (0.394 or 1.181)	16 24	12.60 (0.496) 19.00 (0.748)	15.70/15.90 (0.618/0.626) 22.00/22.20 (0.866/0.874)	20.30 (0.800) 26.70 (1.051)	17.70 (0.697) 23.10 (0.909)
21	36 (1.417) 46 (1.811) 36 or 56 (1.417 or 2.204)	10 (0.394) 20 (0.787) 10 or 30 (0.394 or 1.181)	20 14 28	15.80 (0.622) 11.00 (0.433) 22.10 (0.870)	18.90/19.10 (0.744/0.752) 14.10/14.30 (0.555/0.563) 25.20/25.40 (0.992/1)	23.50 (0.925) 18.70 (0.736) 29.80 (1.173)	20.90 (0.823) 16.10 (0.634) 26.20 (1.032)
23	36 (1.417) 36 or 56 (1.417 or 2.204)	10 (0.394) 10 or 30 (0.394 or 1.181)	24 32	19.00 (0.748) 25.30 (0.996)	22.00/22.20 (0.866/0.874) 28.40/28.60 (1.118/1.126)	26.70 (1.051) 33.00 (1.299)	23.10 (0.909) 29.40 (1.158)
25	36 (1.417) 36 or 56 (1.417 or 2.204)	10 (0.394) 10 or 30 (0.394 or 1.181)	28 36	22.10 (0.870) 28.60 (1.126)	25.20/25.40 (0.992/1) 31.50/31.80 (1.240/1.252)	29.80 (1.173) 36.20 (1.425)	26.20 (1.032) 32.60 (1.284)

BACKSHELLS

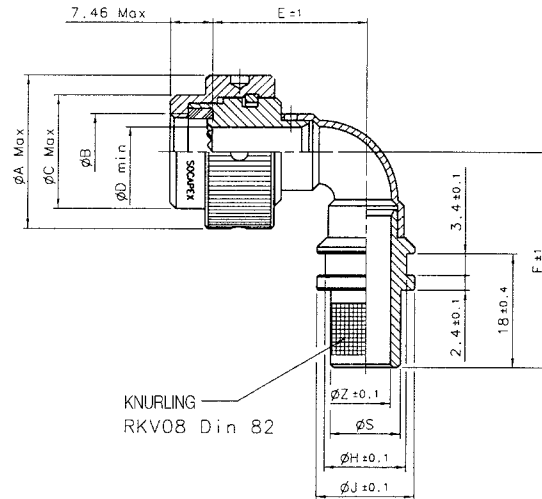
BAND BACKSHELLS FOR SHIELDING

SBC backshells

LJT SBC suitable for LJT (MIL-DTL-38999 series I / HE308), RNJ (HE308) and SJT (VG96912) connectors.

TV SBC suitable for TV-CTV (MIL-DTL-38999 series III), SC39 and RNJ LP connectors.

These right angled band backshells provide a full 360° shield termination with a quick, easy and cost effective cabling process. For straight heat shrink moulded pieces, please refer to page 17-18.



Size	LJT SBC only				TV SBC only			
	Ø A max mm (in)	B Thread UNEF-2B	Ø C mm (in)	Ø D mm (in)	Ø A max mm (in)	B Thread Metric	Ø C mm (in)	Ø D mm (in)
09	21.40 (0.843)	0.4375-28	15.20 (0.598)	7.80 (0.307)	24.30 (0.957)	M12 x 1.0-6H	18.00 (0.709)	7.80 (0.307)
11	24.30 (0.957)	0.5625-24	18.40 (0.724)	10.80 (0.425)	27.40 (1.079)	M15 x 1.0-6H	21.00 (0.827)	10.99 (0.433)
13	27.40 (1.079)	0.6875-24	21.60 (0.850)	13.10 (0.516)	31.80 (1.252)	M18 x 1.0-6H	25.00 (0.984)	13.80 (0.543)
15	31.80 (1.252)	0.8125-20	24.80 (0.976)	16.30 (0.642)	35.00 (1.378)	M22 x 1.0-6H	28.00 (1.102)	16.30 (0.642)
17	35.00 (1.378)	0.9375-20	28.00 (1.102)	19.50 (0.768)	38.10 (1.500)	M25 x 1.0-6H	30.80 (1.213)	20.10 (0.791)
19	38.10 (1.500)	1.0625-18	31.00 (1.220)	21.70 (0.854)	41.20 (1.622)	M28 x 1.0-6H	34.10 (1.343)	22.93 (0.903)
21	41.20 (1.622)	1.1875-18	34.20 (1.347)	24.90 (0.980)	44.30 (1.744)	M31 x 1.0-6H	36.90 (1.453)	26.00 (1.024)
23	44.30 (1.744)	1.3125-18	37.40 (1.472)	28.10 (1.106)	47.20 (1.858)	M34 x 1.0-6H	39.80 (1.567)	29.28 (1.153)
25	47.20 (1.858)	1.4375-18	40.60 (1.599)	31.20 (1.228)	50.00 (1.969)	M37 x 1.0-6H	43.00 (1.693)	32.45 (1.278)

Size	E mm (in)	Z rear side diameter		F mm (in)	Ø S mm (in)	Ø H mm (in)	Ø J mm (in)
		Coding 1/32 of Inch	Dimension mm (in)				
09	24.50 (0.965)	10	7.90 (0.311)	34.00 (1.339)	11.10 (0.437)	12.90 (0.508)	15.50 (0.610)
11	28.00 (1.102)	14	11.10 (0.437)	36.50 (1.437)	14.10 (0.555)	16.10 (0.634)	18.10 (0.713)
13	28.00 (1.102)	16	12.60 (0.496)	37.00 (1.457)	15.70 (0.618)	17.70 (0.697)	20.30 (0.799)
15	29.50 (1.161)	20	15.80 (0.622)	39.00 (1.535)	18.90 (0.744)	20.90 (0.823)	23.50 (0.925)
17	31.50 (1.240)	24	19.00 (0.748)	41.00 (1.614)	22.00 (0.866)	23.10 (0.909)	26.70 (1.051)
19	33.00 (1.299)	24	19.00 (0.748)	42.50 (1.673)	22.00 (0.866)	23.10 (0.909)	26.70 (1.051)
21	35.50 (1.398)	28	22.10 (0.870)	45.00 (1.772)	25.20 (0.992)	26.20 (1.032)	29.80 (1.173)
23	44.50 (1.752)	32	25.30 (0.996)	54.00 (2.126)	28.40 (1.118)	29.40 (1.158)	33.00 (1.299)
25	50.50 (1.988)	36	28.60 (1.126)	58.50 (2.303)	31.50 (1.240)	32.60 (1.284)	36.20 (1.425)

■ ■ ■ BAND BACKSHELLS FOR SHIELDING

ASSEMBLY INSTRUCTIONS FOR HE308-35, TV35 and SBC backshells

1. Prepare the cable for termination process (figure 1).
2. Screw the backshell at the rear of the connector.
3. Push the braid over the backshell to the incline point. Milk the braid as required to remove the slack and insure a snug fit around the shield termination area (figure 2).
4. Prepare the band: Roll the band through the buckle slot twice (the band must be double-coiled). Pull on the band until the mark is within approximately 6.4 mm (.250 in) of the buckle slot (figure 3). The band may be tightened further if desired.
5. Squeeze the gripper release lever of the banding tool and insert the band into the front end opening of the tool as shown on figure 4 (the circular portion of looped band must always face downward).
6. Aligning the band and the tool with the shield termination area, squeeze the black pull-up handle repeatedly using short strokes until it locks against the tool body (this indicates the band is compressed to the tool precalibrated tension).
7. Complete the clamping process by squeezing the grey cut-off handle.
8. Remove the excess band from the tool.
9. Inspect shield termination (figure 5). If the alignment of the band and the shield is unsatisfactory, tension on the band can be relaxed by pushing on the slotted release lever on the top of the tool. Make adjustments as necessary and squeeze again the black pull-up handle.

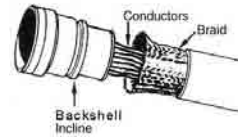


Figure 1

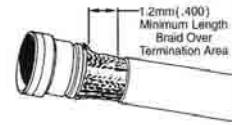


Figure 2

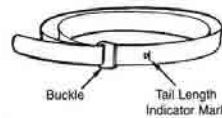


Figure 3

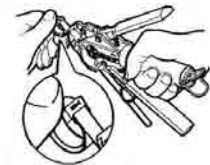


Figure 4

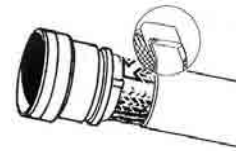


Figure 5

HOW TO ORDER

Amphenol designation – Backshells for TV-CTV (MIL-DTL-38999 series III), SC39 and RNJ LP connectors

Series	TV	35	11	10	08	014
Type of backshell						
35: aluminium straight band backshell accepting heat shrink moulded piece						
B35: bronze straight band backshell accepting heat shrink moulded piece						
SBC: aluminium right angled band backshell accepting heat shrink moulded piece						
Size of backshell 09-11-13-15-17-19-21-23-25 (same as connector size)						
Cabling chamber length 10-20-25-30						
<i>For straight versions only - Refer to page 9 – Dimension F (mm)</i>						
Rear side diameter						
<i>Refer to page 9 – Dimension Z (1/32 of inch)</i>						
Finish						
014: olive-drab cadmium plating						
023: electroless nickel plating						
Blank: for bronze version						

BACKSHELLS

■ ■ ■ BAND BACKSHELLS FOR SHIELDING

HE 308 military designation – Backshells for HE 308 (LJT / MIL-DTL-38999 series I / RNJ) connectors

Series	HE308	-35	-11	-10	-08	-7	M
Type of backshell	35: band backshell accepting heat shrink moulded piece						
Size of backshell	09-11-13-15-17-19-21-23-25 (same as connector size)						
Cabling chamber length	10-20-25-30						
	Refer to page 9 – Dimension F (mm)						
Rear side diameter	Refer to page 9 – Dimension Z (1/32 of inch)						
Finish	7: olive-drab cadmium plating 6: electroless nickel plating						
Military standard							

Note: Dashes are required in the P/N

Amphenol designation - Backshells for LJT (MIL-DTL-38999 series I / HE308), RNJ (HE308) and SJT (VG96912) connectors

Series	LJT	SBC	11	08	014
Type of backshell	SBC: aluminium right angled band backshell accepting heat shrink moulded piece				
Size of backshell	09-11-13-15-17-19-21-23-25 (same as connector size)				
Rear side diameter	Refer to page 10 – Dimension Z (1/32 of inch)				
Finish	014: olive-drab cadmium plating 023: electroless nickel plating				

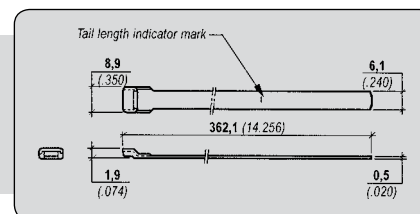
TOOLING & ACCESSORIES

Coupling tool

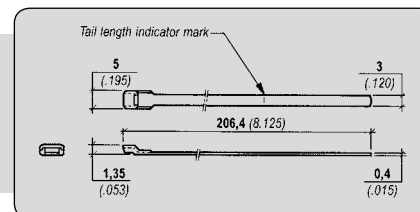
Coupling wrench for HE308-35 and TV(B) 35 backshells: **116.50** (Facom p/n)

Clamping bands

Standard band: **072952**



Micro band (precoiled): **895693**



Hand banding tools

Banding tool for standard band: **809952**

Banding tool for micro band: **809953**

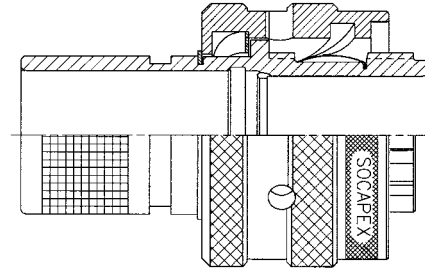
Caution: Tools and bands should never be lubricated

Integrated backshells

Suitable for LJT (MIL-DTL-38999 series I / HE308), JT (MIL-DTL-38999 series II), TV (MIL-DTL-38999 series III), SC39 and SJT (VG96912) connectors.

Available on plugs and receptacles, these 2 in 1 connectors/band backshells provide a high EMI protection with a quick, easy and cost effective cabling process. They are low profile, with enhance sealing level and allow the use of macro and micro bands, as well as straight or right angled heat shrink moulded pieces. The design of the shells make them compatible with over moulding process.

Do not hesitate to consult us.

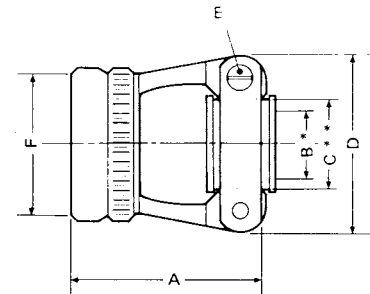


STRAIN RELIEFS

These backshells ensure a mechanical retention of the cable.

SRD backshells

JT SRD suitable for JT (MIL-DTL-38999 series II) connectors.



JT SRD

Size	A Thread UNEF-2B	$\varnothing B^{+0.25}_{-0.64}$ mm (in)	$\varnothing C^{+0.3}$ mm (in)	$\varnothing D^{+0.3}$ mm (in)	E max mm (in)
08	.4375-28	3.18 (0.125)	6.35 (0.250)	19.05 (0.750)	23.88 (0.940)
10	.5625-24	4.78 (0.188)	7.92 (0.312)	20.62 (0.812)	23.88 (0.940)
12	.6875-24	7.92 (0.312)	11.13 (0.438)	23.83 (0.938)	23.88 (0.940)
14	.8125-20	9.53 (0.375)	14.27 (0.562)	26.97 (1.062)	30.23 (1.190)
16	.9375-20	12.70 (0.500)	15.88 (0.625)	28.58 (1.125)	30.23 (1.190)
18	1.0625-18	15.88 (0.625)	19.05 (0.750)	34.93 (1.375)	30.23 (1.190)
20	1.1875-18	15.88 (0.625)	19.05 (0.750)	34.93 (1.375)	30.23 (1.190)
22	1.3125-18	19.05 (0.750)	23.83 (0.938)	39.67 (1.562)	33.40 (1.315)
24	1.4375-18	20.32 (0.800)	25.40 (1.000)	42.06 (1.656)	33.40 (1.315)

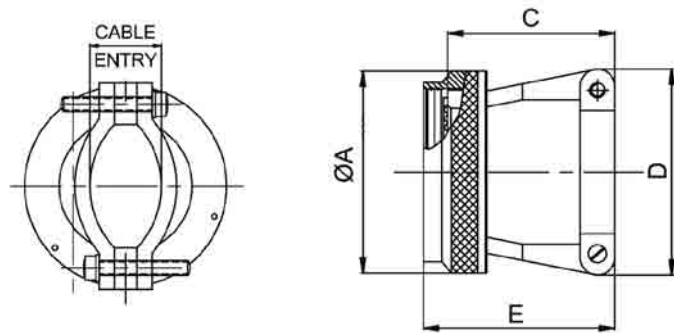
For ordering information, please refer to page 18

BACKSHELLS

STRAIN RELIEFS

M85049/49-2 strain relief suitable for LJT (MIL-DTL-38999 series I / HE308) and RNJ (HE308) connectors.

M85049/38 strain relief suitable for TV-CTV (MIL-DTL-38999 series III), SC39 and RNJ LP connectors.



Size	Thread for M85049/49-2 UNEF-2B	Thread for M85049/38 Metric	Ø A max mm (in)	C max mm (in)	Ø D max mm (in)	E max mm (in)	Cable Entry mm (in)	
							min	max
09	.4375-28	M12 x 1.0 – 6H	19.05 (0.75)	23.11 (0.91)	21.59 (0.85)	27.94 (1.10)	2.49 (0.10)	5.94 (0.23)
11	.5625-24	M15 x 1.0 – 6H	21.59 (0.85)	23.11 (0.91)	22.86 (0.90)	27.94 (1.10)	3.89 (0.15)	5.94 (0.23)
13	.6875-24	M18 x 1.0 – 6H	25.40 (1.00)	25.65 (1.01)	27.94 (1.10)	30.48 (1.20)	4.83 (0.19)	8.33 (0.33)
15	.8125-20	M22 x 1.0 – 6H	27.94 (1.10)	26.92 (1.06)	29.21 (1.15)	31.75 (1.25)	6.60 (0.26)	11.61 (0.46)
17	.9375-20	M25 x 1.0 – 6H	31.75 (1.25)	29.46 (1.16)	33.02 (1.30)	34.44 (1.36)	7.19 (0.28)	15.60 (0.61)
19	1.0625-18	M28 x 1.0 – 6H	35.56 (1.40)	35.81 (1.41)	38.10 (1.50)	40.64 (1.60)	8.26 (0.33)	16.10 (0.63)
21	1.1875-18	M31 x 1.0 – 6H	38.10 (1.50)	38.35 (1.51)	40.64 (1.60)	43.21 (1.70)	8.71 (0.34)	17.73 (0.70)
23	1.3125-18	M34 x 1.0 – 6H	41.91 (1.65)	42.16 (1.66)	43.18 (1.70)	46.99 (1.85)	9.68 (0.38)	20.90 (0.82)
25	1.4375-18	M37 x 1.0 – 6H	44.45 (1.75)	44.70 (1.76)	45.72 (1.80)	49.56 (1.95)	10.62 (0.42)	21.67 (0.85)

How to order M85049 strain reliefs

Series	M85049/	49-2	12	W
Type of strain relief	49-2: for LJT (MIL-DTL-38999 series I / HE308) and RNJ (HE308) connectors 38: for TV-CTV (MIL-DTL-38999 series III), SC39 and RNJ LP connectors			
Size of backshell	08-10-12-14-16-18-20-22-24 for LJT (MIL-DTL-38999 series I / HE308) and RNJ (HE308) connectors 09-11-13-15-17-19-21-23-25 (same as connector size) for TV-CTV (MIL-DTL-38999 series III), SC39 and RNJ LP connectors			
Finish	W: olive-drab cadmium plating N: electroless nickel plating			

ADAPTERS FOR HEAT SHRINK MOULDED PIECES

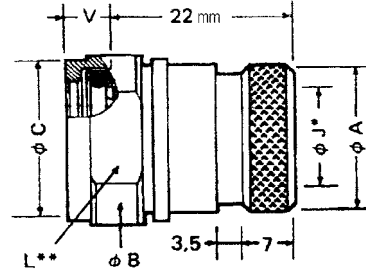
These backshells ensure the sealing and the mechanical retention of the cable.

NSD backshells

LJT NSD (HE308-14) suitable for LJT (MIL-DTL-38999 series I / HE308), RNJ (HE308) and SJT (VG96912) connectors.

TV NSD suitable for TV-CTV (MIL-DTL-38999 series III), SC39 and RNJ LP connectors.

For straight and right angled heat shrink moulded pieces, please refer to page 17-18.



Size	A mm (in)	B ^{±0.2} mm (in)	C max mm (in)	J* min mm (in)	K max mm (in)	L** max mm (in)
9	12.60 (0.496)	20.00 (0.787)	16.00 (0.630)	7.80 (0.307)	9.50 (0.374)	16.80 (0.661)
11	16.40 (0.646)	23.00 (0.906)	19.00 (0.748)	10.80 (0.425)	12.50 (0.492)	20.80 (0.819)
13	20.00 (0.787)	26.00 (1.024)	22.00 (0.866)	13.10 (0.516)	15.50 (0.610)	22.80 (0.898)
15	22.00 (0.866)	29.00 (1.142)	25.10 (0.988)	16.30 (0.642)	18.50 (0.728)	25.80 (1.016)
17	24.60 (0.969)	32.00 (1.260)	28.30 (1.114)	19.00 (0.748)	21.50 (0.847)	28.80 (1.134)
19	27.50 (1.083)	35.00 (1.378)	31.30 (1.232)	21.70 (0.854)	24.00 (0.945)	31.80 (1.252)
21	31.90 (1.256)	39.00 (1.536)	34.50 (1.358)	24.90 (0.980)	27.00 (1.063)	35.80 (1.409)
23	35.00 (1.378)	42.00 (1.654)	37.70 (1.484)	28.10 (1.106)	30.50 (1.201)	38.80 (1.528)
25	38.80 (1.528)	45.00 (1.772)	40.80 (1.606)	31.20 (1.228)	33.50 (1.319)	41.80 (1.646)

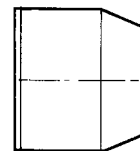
** dimension over the flats (4 flats)

BACKSHELLS FOR POTTING

These backshells ensure the sealing.

RPD backshells

LJT RPD suitable for LJT (MIL-DTL-38999 series I / HE308), RNJ (HE308) and JT (MIL-DTL-38999 series II) connectors.



Size	A Thread UNEF-2B	B max mm (in)	Ø C mm (in)	Ø D mm (in)
09	.4375-28	20.06 (0.790)	14.80 (0.583)	8.30 (0.327)
11	.5625-24	20.06 (0.790)	18.00 (0.709)	11.30 (0.445)
13	.6875-24	20.06 (0.790)	21.10 (0.831)	14.20 (0.559)
15	.8125-20	20.06 (0.790)	24.30 (0.957)	17.30 (0.681)
17	.9375-20	20.06 (0.790)	27.50 (1.083)	20.50 (0.807)
19	1.0625-18	20.06 (0.790)	30.70 (1.209)	23.10 (0.909)
21	1.1875-18	21.56 (0.849)	33.90 (1.335)	26.30 (1.035)
23	1.3125-18	21.56 (0.849)	37.00 (1.457)	29.40 (1.158)
25	1.4375-18	20.86 (0.821)	40.20 (1.583)	32.60 (1.284)

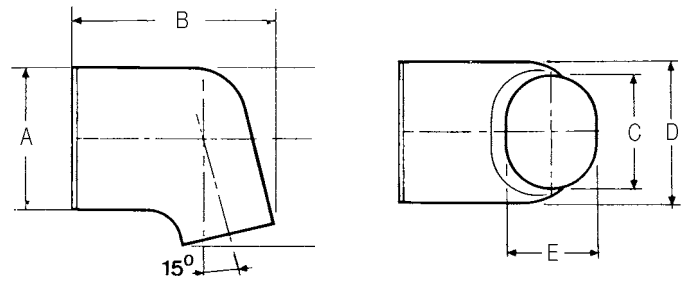
For ordering information, please refer to page 18

BACKSHELLS

BACKSHELLS FOR POTTING

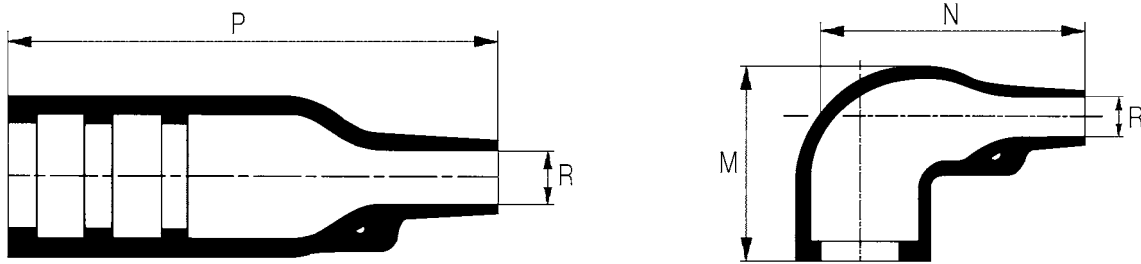
RPC backshells

LJT RPC suitable for LJT (MIL-DTL-38999 series I / HE308), RNJ (HE308) and JT (MIL-DTL-38999 series II) connectors.



Size	A Thread UNEF-2B	B max mm (in)	$\varnothing C$ mm (in)	$\varnothing D$ mm (in)	$\varnothing E$ mm (in)	$\varnothing F$ max mm (in)
09	.4375-28	25.06 (0.987)	11.10 (0.437)	15.20 (0.598)	7.90 (0.311)	19.70 (0.776)
11	.5625-24	28.16 (1.109)	14.30 (0.563)	18.40 (0.724)	11.10 (0.437)	23.20 (0.913)
13	.6875-24	29.86 (1.176)	17.50 (0.689)	21.90 (0.862)	13.10 (0.516)	26.50 (1.043)
15	.8125-20	32.56 (1.282)	19.80 (0.780)	24.70 (0.972)	15.90 (0.626)	30.80 (1.213)
17	.9375-20	33.56 (1.321)	22.60 (0.890)	27.90 (1.098)	16.70 (0.656)	32.80 (1.291)
19	1.0625-18	34.86 (1.372)	25.40 (1.000)	31.10 (1.224)	17.90 (0.705)	35.50 (1.398)
21	1.1875-18	37.26 (1.467)	28.60 (1.126)	34.30 (1.350)	19.50 (0.768)	38.90 (1.531)
23	1.3125-18	38.16 (1.502)	31.30 (1.232)	37.40 (1.472)	20.60 (0.811)	41.60 (1.638)
25	1.4375-18	44.46 (1.750)	34.90 (1.374)	40.60 (1.598)	23.30 (0.917)	50.00 (1.969)

HEAT-SHRINK MOULDED PIECES



Heat-shrink moulded piece p/n		M max mm (in)	N ±10% mm (in)	p ±10% mm (in)	Ø r mm (in)	
Straight	Right angled				Before heating (max)	After heating (min cable Ø)
		After total heating				
804221	804231	25.40 (1.000)	25.00 (0.984)	38.40 (1.512)	24.00 (0.945)	6.00 (0.236)
814221	814231					
804222	804232	27.20 (1.071)	32.00 (1.260)	54.90 (2.161)	30.00 (1.181)	6.00 (0.236)
814222	814232					
804223	804233	30.50 (1.201)	39.40 (1.551)	66.80 (2.630)	31.00 (1.220)	7.10 (0.280)
814223	814233					
804225	804235	38.00 (1.496)	46.00 (1.811)	80.00 (3.150)	36.00 (1.417)	8.50 (0.335)
814227	814235					
804227	804237	45.00 (1.772)	55.00 (2.165)	99.10 (3.902)	43.00 (1.693)	10.00 (0.394)
814227	814237					
804229	804239	54.00 (2.126)	80.00 (3.150)	130.00 (5.118)	60.00 (2.362)	16.00 (0.630)
814229	814239					

Standard heat-shrink moulded pieces (semi-rigid polyolefin – without any adhesive)

Size	Backshell type	Rear size coding	Straight			Right angled		
			Amphenol Socapex p/n	Raychem p/n	Hellerman p/n	Amphenol Socapex p/n	Raychem p/n	Hellerman p/n
9	NSA, NSB, NSD	-	804221	202K121-3	152-42-G	804231	222K121-3	1152-4-G
	HE308-35, TV35, TVB35, SBC	08	804221	202K121-3	152-42-G	804231	222K121-3	1152-4-G
11	NSA, NSB, NSD	-	804222	202K132-3	154-42-G	804232	222K132-3	1154-4-G
	HE308-35, TV35, TVB35, SBC	12	804222	202K132-3	154-42-G	804232	222K132-3	1154-4-G
13	NSA, NSB, NSD	-	804223	202K142-3	155-42-G	804233	222K142-3	1155-4-G
	HE308-35, TV35, TVB35, SBC	12	804222	202K132-3	154-42-G	804232	222K132-3	1154-4-G
		16	804223	202K142-3	155-42-G	804233	222K142-3	1155-4-G
15	NSA	-	804225	202K153-3	156-42-G	804235	222K152-3	1156-4-G
	NSB, NSD	-	804223	202K142-3	155-42-G	804233	222K142-3	1155-4-G
	HE308-35, TV35, TVB35, SBC	14	804222	202K132-3	154-42-G	804232	222K132-3	1154-4-G
		20	804225	202K153-3	156-42-G	804235	222K152-3	1156-4-G
17	NSA	-	804227	202K163-3	157-43-G	804237	222K163-3	1157-4-G
	NSB, NSD	-	804225	202K153-3	156-42-G	804235	222K152-3	1156-4-G
	HE308-35, TV35, TVB35, SBC	12	804222	202K132-3	154-42-G	804232	222K132-3	1154-4-G
		16	804223	202K142-3	155-42-G	804233	222K142-3	1155-4-G
		24	804225	202K153-3	156-42-G	804235	222K152-3	1156-4-G
19	NSA	-	804227	202K163-3	157-43-G	804237	222K163-3	1157-4-G
	NSB, NSD	-	804225	202K153-3	156-42-G	804235	222K152-3	1156-4-G
	HE308-35, TV35, TVB35, SBC	16	804223	202K142-3	155-42-G	804233	222K142-3	1155-4-G
		24	804225	202K153-3	156-42-G	804235	222K152-3	1156-4-G
21	NSA, NSB, NSD	-	804227	202K163-3	157-43-G	804237	222K163-3	1157-4-G
	HE308-35, TV35, TVB35, SBC	14	804222	202K132-3	154-42-G	804232	222K132-3	1154-4-G
		20	804225	202K153-3	156-42-G	804235	222K152-3	1156-4-G
		28	804227	202K163-3	157-43-G	804237	222K163-3	1157-4-G
23	NSA, NSB, NSD	-	804229	202K174-3	158-43-G	804239	222K174-3	1158-4-G
	HE308-35, TV35, TVB35, SBC	24	804225	202K153-3	156-42-G	804235	222K152-3	1156-4-G
		32	804227	202K163-3	157-43-G	804237	222K163-3	1157-4-G
25	NSA, NSB, NSD	-	804229	202K174-3	158-43-G	804239	222K174-3	1158-4-G
	HE308-35, TV35, TVB35, SBC	28	804227	202K163-3	157-43-G	804237	222K163-3	1157-4-G
		36	804229	202K174-3	158-43-G	804239	222K174-3	1158-4-G

BACKSHELLS

HOW TO ORDER

Amphenol designation - Backshells for LJT (MIL-DTL-38999 series I / HE308), RNJ (HE308) and SJT* (VG96912) connectors

Series	LJT	NSA	11	014	-
Type of backshell					
NSA: screened clamping braid backshell accepting heat shrink moulded piece					
SQ: simple screened clamping braid backshell accepting heat shrink moulded piece					
NSB: screened soldering braid backshell accepting heat shrink moulded piece					
NSD: backshell for heat shrink moulded piece					
RPD: straight backshell for potting					
RPC: 75° angled backshell for potting					
Size of backshell 09-11-13-15-17-19-21-23-25					
for LJT connectors: same as connector size					
for SJT (G)06 and 00 connectors: greater than the connector size by 1					
for SJT07 sizes 8 to 22 connectors: greater than the connector size by 3					
Consult us for SJT07 size 24 connector					
Finish					
014: olive-drab cadmium plating					
023: electroless nickel plating					
Deviation					
F428: backshells for SJT* connectors only					

* : for NSA, NSB, NSD, SQ only

Amphenol designation – Backshells for TV-CTV (MIL-DTL-38999 series III), SC39 and RNJ LP connectors

Series	TV	NSA	11	014
Type of backshell				
NSA: screened clamping braid backshell accepting heat shrink moulded piece				
NSD: backshell for heat shrink moulded piece				
Size of backshell 09-11-13-15-17-19-21-23-25 (same as connector size)				
Finish				
014: olive-drab cadmium plating				
023: electroless nickel plating				

HE 308 military designation – Backshells for HE 308 (LJT / MIL-DTL-38999 series I / RNJ) connectors

Series	HE 308	13	15	7	M
Type of backshell					
13: screened clamping braid backshell accepting heat shrink moulded piece					
14: backshell for heat shrink moulded piece					
15: straight backshell for potting					
Size of backshell 09-11-13-15-17-19-21-23-25 (same as connector size)					
Finish					
7: olive-drab cadmium plating					
6: electroless nickel plating					
Military standard					

Amphenol designation – Backshells for JT (MIL-DTL-38999 series II) connectors

Series	JT	SA	12	014
Type of backshell				
SA: screened clamping braid backshell accepting heat shrink moulded piece				
SRD : straight cable clamp				
RPD: straight backshell for potting				
RPC: 75° angled backshell for potting				
Size of backshell 08-10-12-14-16-18-20-22-24 (same as connector size)				
Finish				
014: olive-drab cadmium plating				
023: electroless nickel plating				



TORQUES VALUES FOR REAR ACCESSORIES

According to the MIL-C-85049 standard

For LJT / RNJ / HE308 / MIL-DTL-38999 I connectors		For JT / MIL-DTL-38999 II connectors		For TV-CTV / MIL-DTL-38999 III connectors			For SJT / VG96912 connectors	
Shell size	Max torque value (N.m)	Shell size	Max torque value (N.m)	Shell size	Metal Max torque value (N.m)	Composite Max torque value (N.m)	Shell size	Max torque value (N.m)
09	5.0	08	5.0	09	7.2	5.0	08	5.0
11	5.0	10	5.0	11	9.5	5.0	10	5.0
13	5.0	12	5.0	13	13.1	5.0	12	5.0
15	5.0	14	5.0	15	14.0	5.0	14	5.0
17	5.0	16	5.0	17	14.0	5.0	16	5.0
19	5.0	18	5.0	19	14.0	5.0	18	5.0
21	9.5	20	9.5	21	16.3	9.5	20	9.5
23	9.5	22	9.5	23	16.3	9.5	22	9.5
25	9.5	24	9.5	25	16.3	9.5	24	9.5

CROSS REFERENCES

The cross references below are given as information only. The designs of the backshells are not strictly equivalent.

Amphenol p/n	NFC UTE 93422 / HE308 p/n	MIL-C-85049 p/n	VG96912 p/n
LJT NSA xx 014	HE308 13 xx 7M	-	-
LJT NSA xx 023	HE308 13 xx 6M	-	-
LJT SQ xx 014 F428	-	-	VG96912 L xx
HE308-35-xx-xx-xx-7M	HE308-35-xx-xx-xx-7M	-	-
HE308-35-xx-xx-xx-6M	HE308-35-xx-xx-xx-6M	-	-
JT SRD xx 014	-	M85049/49-2-xx W	-
JT SRD xx 023	-	M85049/49-2-xx N	-
LJT NSD xx 014	HE308 14 xx 7M	M85049/62-xx W	-
LJT NSD xx 023	HE308 14 xx 6M	-	-
LJT NSD xx 014 F428	-	-	VG96912 F1 xx
LJT RPD xx 014	HE308 15 xx 7M	M85049/58-xx + M85049/75-xx-1	-
LJT RPD xx 023	HE308 15 xx 6M	-	-
LJT RPC xx 014	HE308 16 xx 7M	-	-
LJT RPC xx 023	HE308 16 xx 6M	-	-

NORTH AMERICA

Amphenol Pcd, Inc.
72 Cherry Hill Drive
Beverly, MA, 01915 - USA
Telephone: +1-978-624-3400

EUROPE

Amphenol AIR LB
10 Rue Champ Raymond
08110 Cartignan - France
Telephone: +33-3-2422-3270
Fax: +33-3-2422-387

Amphenol AIR LB GmbH
Am Kleinbahnhof 4 - 66740 Saarlouis - Germany
Telephone: +49-6531-951-00
Fax: +49-6831-981-030

Amphenol BENELUX
Zadelmaker 121 NL - 2401 PD Alphen aan den Rijn
The Netherlands
Telephone: +31-172-444-903
Fax: +31-172-240-254

Amphenol IBERICA
Edificio "Burgosol"
c/Comunidad de Madrid, 35 bis Oficina No 55
E5 - 28230 Las Rozas - Madrid - Spain
Telephone: +34-91-640-73-02/03/04
Fax: +34-91-640-73-07

Amphenol ITALIA
Via Barbalana n.5, 20020 Lainate - Milano - Italy
Telephone: +39-02-93254-1
Fax: +39-02-93254-444

Amphenol LIMITED
Thanet Way, Whitstable - Kent, CT5 3JF
United Kingdom
Telephone: +44-1227-773-200
Fax: +44-1227-276-571

Amphenol MIDDLE & EASTERN EUROPE
Wiener gase 68 - 2380 Perchtoldsdorf - Austria
Telephone: +43-699-10396-071
Fax: +43-699-40396-071

SEFEE
ZI des Cazes - BP 243
12403 Saint Affrique - France
Telephone: +33-5-6598-1100
Fax: +33-5-6549-3712

Amphenol SCANDINAVIA
Angsullsvägen 7 - S-187 51 Täby - Sweden
Telephone: +46-702-12-92-00
Fax: +46-702-63-46-77

Amphenol SOCAPEX
948 Promenade de l'Arve - BP29
74311 Thyez Cedex - France
Telephone: +33-4-5089-2800
Fax: +33-4-5096-1941

Amphenol SOUTH EASTERN EUROPE
948 Promenade de l'Arve - BP29
74311 Thyez Cedex - France
Telephone: +33-4-5089-2800
Fax: +33-4-5096-1941

ASIA

Amphenol DAESHIN
558 Sosa, SongNea
Bucheon-city, Kyunggi-Do
Korea 420-130
Telephone: +82-32-610-3800
Fax: +82-32-673-2507/665-6219

Amphenol INTERCONNECT INDIA PRIVATE LIMITED
105 Bhosari Industrial Area
Pune 411 026 - India
Telephone: +91-20-712-0363/0463/0155
Fax: +91-20-712-0581

Amphenol JAPAN
689-1, Iseochi
Ritto-shi Shiga 520-3044 - Japan
Telephone: +81-77-553-8501
Fax: +81-77-551-2200

Amphenol PCD CO.LTD
2/F Building A5,
Huafeng Technology Park
Guan Tian, Bei Huan Road,
Shi Yan Street
BaoAn District, Shenzhen,
China 518132
Tel: +86-755-8173-8281
Fax: +86-755-8173-8180

OTHER AREAS

Amphenol ARGENTINA
Av. Callao 930 2do piso Oficina B "Plaza"
C1023 - AAP Buenos Aires - Argentina
Telephone: +54-11-4815-6886
Fax: +54-11-4814-5779

Amphenol AUSTRALIA PTY LIMITED
2 Fiveways Blvd, Keysborough
Melbourne, Victoria 3173 - Australia
Telephone: +61-3-8796-8888
Fax: +61-3-8796-8801

BAR TEC LTD
4 Hagavish St, PO Box 279
Kfar Saba 44102 - Israel
Telephone: +972-9-767-4097
Fax: +972-9-767-4324

Amphenol DO BRAZIL
Rua Diodo Moreira, 132, 20 andar, rooms 2001-2-3
CEP: 05423-010 Sao Paulo SP - Brazil
Telephone: +55-11-3815-1003
Fax: +55-11-3815-1629

Amphenol MEXICO
Prolongacion Reforma 61 - 6 B2
Col. Paseo de las Lomas - C.P.013130 - Mexico
Telephone: +52-55-5258-9984
Fax: +52-55-5081-6890

Amphenol RUSSIA
8 bldg., 2 Yaroslavskaja Street,
129164 Moscow - Russia
Telephone: +7-495-937-6341
Fax: +7-495-937-6319

Amphenol SOUTH AFRICA
30 Impala Road
2196 Chislehurst-Sandton - South Africa
Telephone: +27-11-783-9517
Fax: +27-11-783-9519

Amphenol TURKEY
Sun Plaza Kat:15
Maslak Mah. Bilim Sok.No:15
34398 Şişli - İstanbul
Telephone: +90-212-367-9220
Fax: +90-212-367-9221

AMPHENOL SOCAPEX

948 Promenade de l'Arve - B. P. 29
74311 Thyez Cedex - France - Telephone: 33-4-5089-2800 - Fax: 33-4-5096-1941

Amphenol
Socapex

The information given in this document are as a guideline only.
We reserve the right to modify our products in any way we deem necessary.
Any duplication is prohibited, unless approved in writing.
Realisation: wanagenstudios - Steven Kilgallon

For more information, please visit our website:
www.amphenol-socapex.com

Mouser Electronics

Authorized Distributor

Click to View Pricing, Inventory, Delivery & Lifecycle Information:

[Amphenol:](#)

[804227](#) [804223](#)