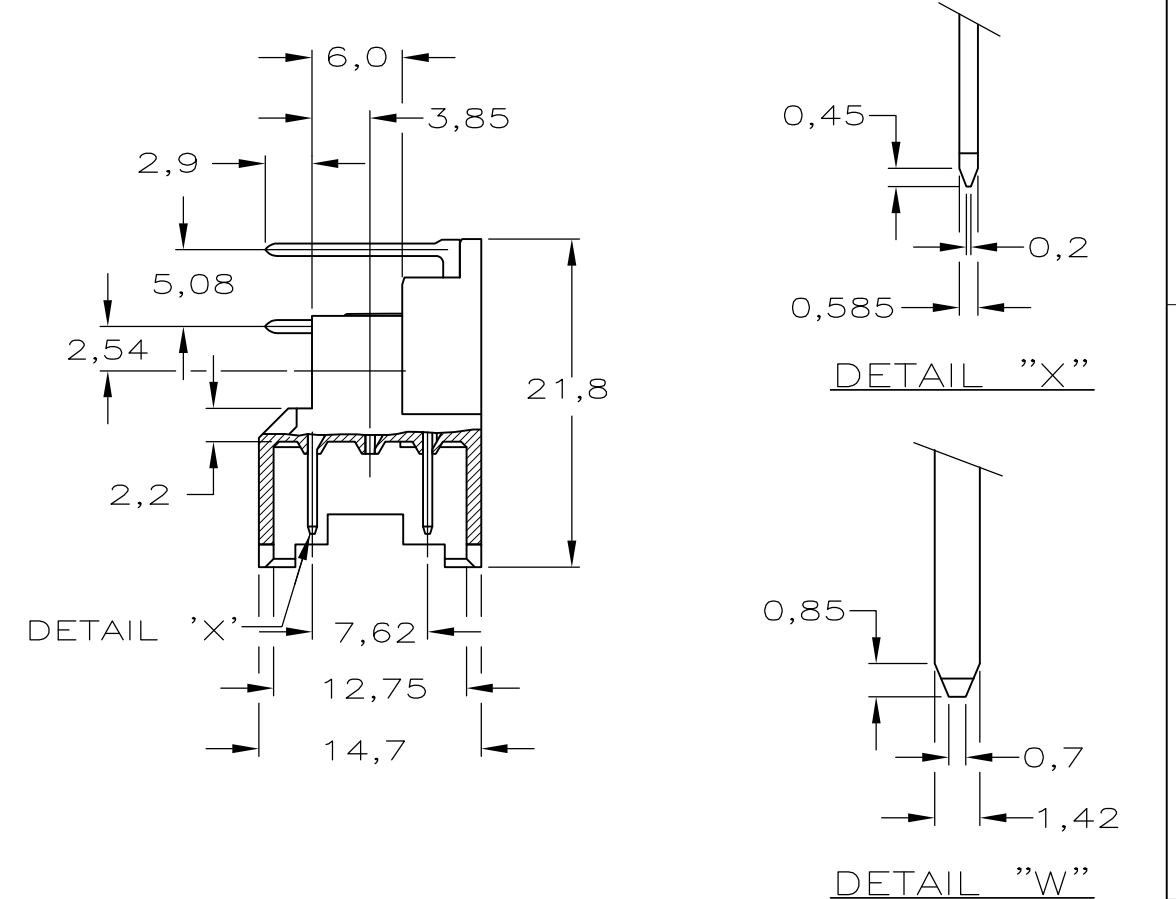
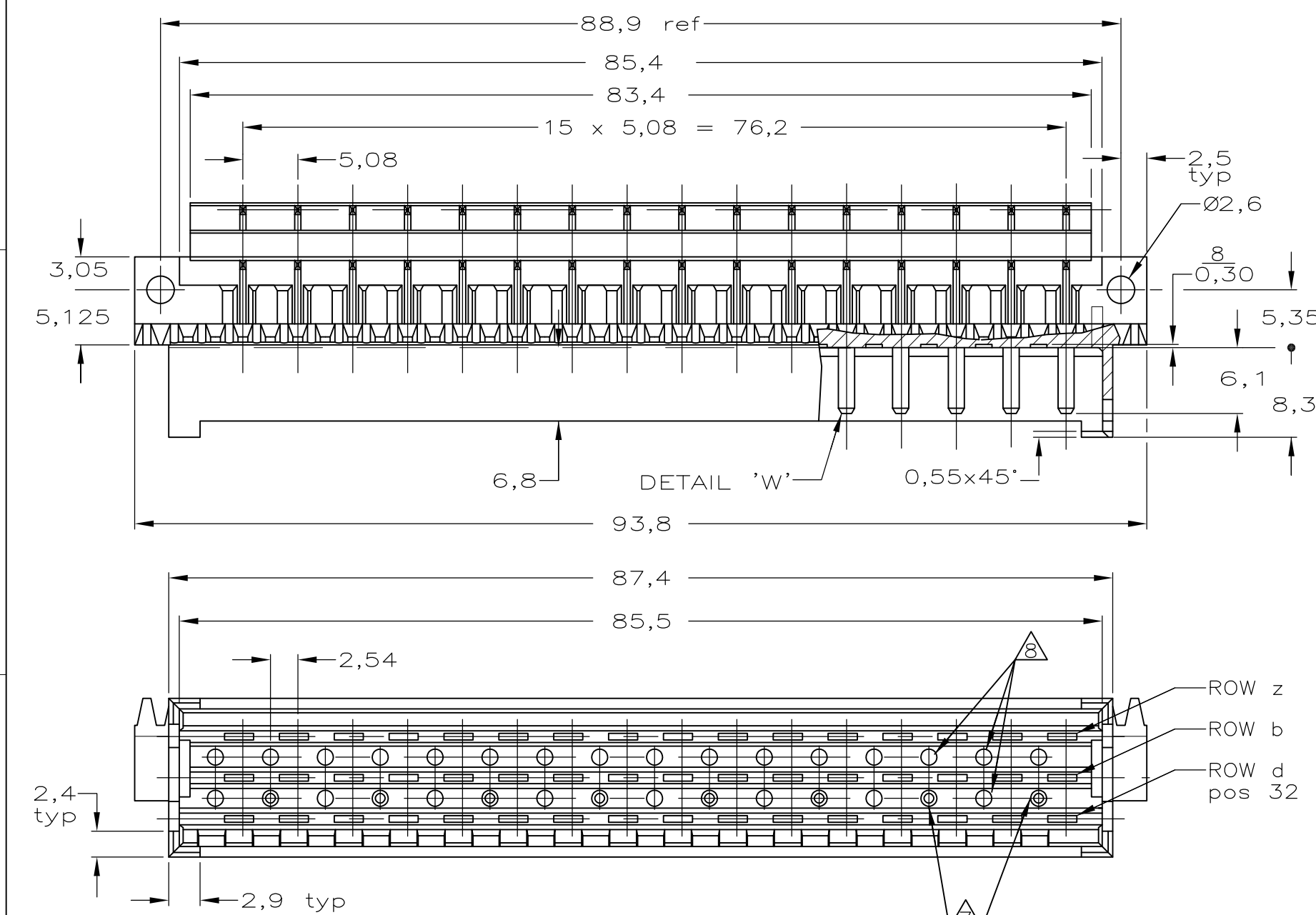


THIS DRAWING IS UNPUBLISHED. RELEASED FOR PUBLICATION  
 © COPYRIGHT - By - ALL RIGHTS RESERVED.

REVISIONS					
P	LTR	DESCRIPTION	DATE	DWN	APVD
	J	REVISED PER ECO-17-002455	23FEB2017	SY	SY



POS. NO	2	4	6	8	10	12	14	16	18	20	22	24	26	28	30	32
F 48 ROW	X	X	X	X	X	X	X	X	X	X	X	X	X	X	X	X
	.	.	.	.	.	.	.	.	.	.	.	.	.	.	.	.
	X	X	X	X	X	X	X	X	X	X	X	X	X	X	X	X

AN ASTERISK „X” DENOTES A FMLB CONTACT.

NOTES

- 1 MATERIAL:  
 -HOUSING: THERMOPLASTIC POLYESTER, COLOR GREY.  
 -CONTACTS: BRASS.
- 2 PLATING CONTACT: 1,25 µm Au OVER 1,25 µm Ni IN CONTACT AREA.  
 Sn/Pb over 1,25 µm Ni ON SOLDER POST.
- 3 PLATING CONTACT: CONFIRMS TO IEC60603-2 PERFORMANCE LEVEL II REQUIREMENT  
 IN CONTACT AREA, Sn OVER Ni IN SOLDER AREA.
- 4 PLATING CONTACT: 2,0 µm Au OVER 1,25 µm Ni IN CONTACT  
 AREA. Sn/Pb over 1,25µm Ni ON SOLDER POST.
- 5 PLATING CONTACT: 0,4 µm Au OVER 1,25 µm Ni IN CONTACT  
 AREA. Sn/Pb over 1,25 µm Ni ON SOLDER POST.
- 6 SOLDER POSTS SUITABLE FOR P.C.B. HOLES  
 0,8±0,05 OR 1,0±0,1 DIA.
- 7 8 HOLES SUITABLE FOR KEYING PIN PN. 215916-1.
- 8 KEYING HOLES TO BE DRILLED BY CUSTOMER.

2--8 OBSOLETE	SEE NOTE 5	SEE NOTE 1	2-164306-8
2--7 OBSOLETE	SEE NOTE 4		2-164306-7
	SEE NOTE 3		2-164306-4
	SEE NOTE 2		2-164306-1
	FINISH	MATERIAL	PARTNUMBER

THIS DRAWING IS A CONTROLLED DOCUMENT.		DWN R.v.Lokven 31.03.93	TE Connectivity		
DIMENSIONS: mm		CHK J.GIBBELS			
TOLERANCES UNLESS OTHERWISE SPECIFIED:		APVD -	32 POS. DIN 41612 F MALE 90 DEGREE SOLDER CONNECTOR		
0 PLC ± - 1 PLC ± - 2 PLC ± - 3 PLC ± - 4 PLC ± - ANGLES ± -		PRODUCT SPEC -			
MATERIAL -		APPLICATION SPEC -	SIZE A3 CAGE CODE 00779 DRAWING NO C-164306 RESTRICTED TO -		
FINISH -		WEIGHT 0.000000			
		CUSTOMER DRAWING	SCALE -	SHEET 1 OF 1	REV J

# Mouser Electronics

Authorized Distributor

Click to View Pricing, Inventory, Delivery & Lifecycle Information:

[TE Connectivity:](#)

[2-164306-1](#)