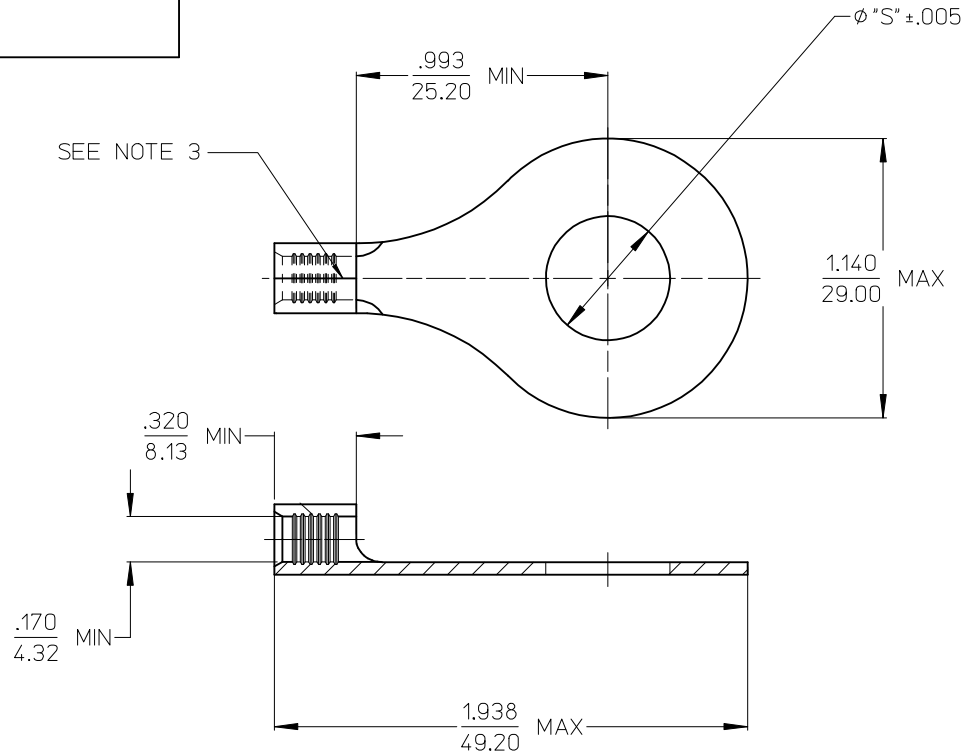


MATERIAL NUMBER	ENGINEERING NUMBER	STUD SIZE	"S"	PACKAGING
191930191	D-353-14	1/4	.265	(B) LOOSE PIECE
191930194	D-353-56	5/16	.328	
191930193	D-353-38	3/8	.390	
191930196	D-353-76	7/16	.453	
191930190	D-353-12	1/2	.515	
191930195	D-353-58	5/8	.656	
191930192	D-353-34	3/4	.781	



SALES DRAWING

- NOTES:
- MATERIAL: COPPER
PLATING: ELECTROPLATE TIN
 - ALL DIMENSIONS IN INCHES/(MM).
 - BRAZED SEAM.
 - PART IS ROHS COMPLIANT.

CORRECTED 1/4 STUD EC NO: IFC2015-1900 DRAWN: GROSASO1 2015/05/18 CHKD: JMACNEIL 2015/05/18 APPR: JMACNEIL 2015/05/28	QUALITY SYMBOLS ▽=0 ▽=0	GENERAL TOLERANCES (UNLESS SPECIFIED)		DIMENSION STYLE IN/MM		SCALE 2:1	DESIGN UNITS INCH	THIRD ANGLE PROJECTION		
		4 PLACES	± ---	± ---	DRAWN BY	DATE	RING TONGUE TERMINAL 8 AWG VERSAKRIMP D-353 TONGUE			
		3 PLACES	± ---	± .005	CHECKED BY	DATE				
		2 PLACES	± 0.13	± .01	JMACNEIL	2008/02/21	MOLEX INCORPORATED			
1 PLACE	± 0.25	± ---	JMACNEIL	2008/02/21						
DRAFT WHERE APPLICABLE MUST REMAIN WITHIN DIMENSIONS		SEE CHART		MATERIAL NO.		DOCUMENT NO. SD-19193-037		SHEET NO. 1 OF 1		
THIS DRAWING CONTAINS INFORMATION THAT IS PROPRIETARY TO MOLEX INCORPORATED AND SHOULD NOT BE USED WITHOUT WRITTEN PERMISSION										

Mouser Electronics

Authorized Distributor

Click to View Pricing, Inventory, Delivery & Lifecycle Information:

[Molex:](#)

[19193-0191](#)