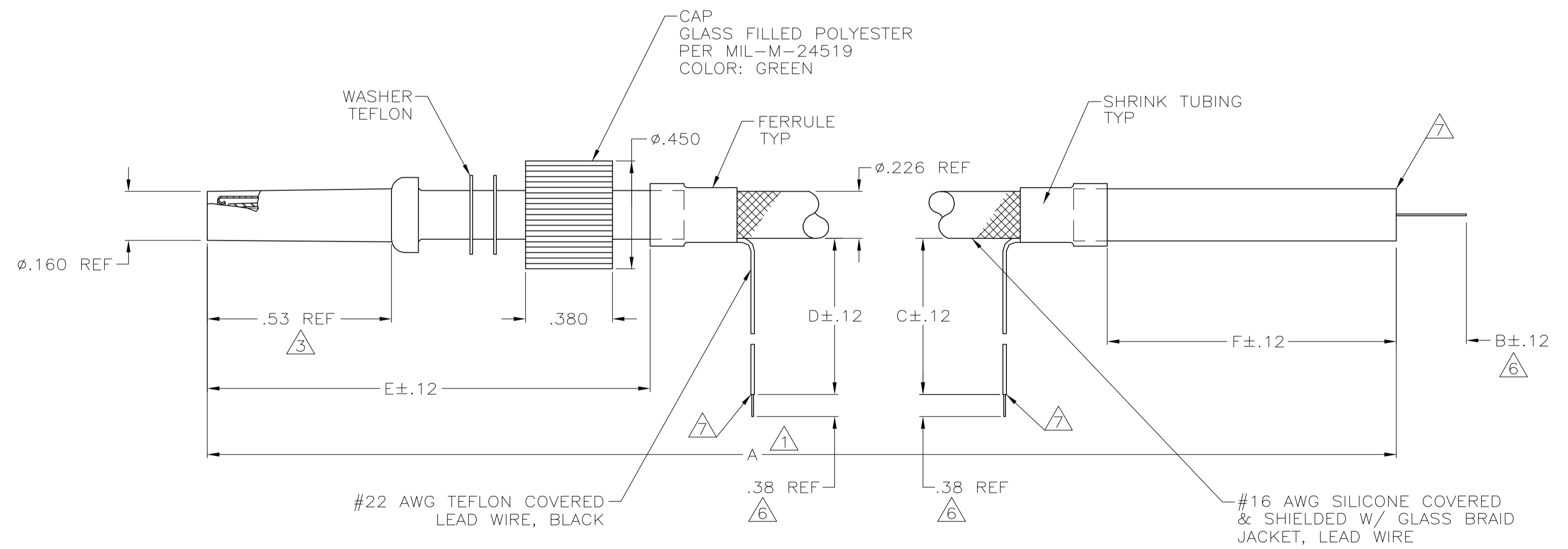


AMP P/N	A	B	C	D	E	F	REMARKS
846985-1	24.00	.38	6.00	6.00	1.25	2.00	△ OBSOLETE
846985-2	15.00	.38	8.00	8.00	1.25	2.00	△
846985-3	8.00	.38	8.00	8.00	1.25	2.00	△ OBSOLETE
846985-4	16.00	.38	8.00	8.00	1.50	1.50	△ OBSOLETE
846985-5	11.00	.38	12.00	-	1.50	1.50	△ OBSOLETE
846985-6	11.00	.38	12.00	12.00	1.50	1.50	△ OBSOLETE
846985-7	12.00	.38	6.00	6.00	1.25	2.00	△
846985-8	9.00	.38	8.00	8.00	1.50	2.00	△
846985-9	12.00	.38	6.00	-	1.50	2.00	△
1-846985-0	12.00	.38	12.00	12.00	1.50	1.00	△
1-846985-1	39.37	.38	3.94	3.94	1.97	1.97	△ OBSOLETE
1-846985-2	12.00	.38	12.00	12.00	1.50	2.25	△
1-846985-3	8.00	.38	8.00	8.00	1.25	1.50	△ OBSOLETE
1-846985-4	8.00	.38	10.00	-	1.25	1.40	△ OBSOLETE
1-846985-5	192.00	.38	12.00	-	2.00	2.00	△ OBSOLETE
1-846985-6	120.00	.38	8.00	8.00	1.25	2.00	△ OBSOLETE
1-846985-7	72.00	.38	-	6.00	1.50	2.00	△
1-846985-8	36.00	.38	12.00	-	1.50	2.00	△
1-846985-9	22.00	.38	10.00	10.00	1.50	1.00	△
2-846985-0	11.80	.38	12.00	12.00	1.50	1.00	△ OBSOLETE
2-846985-1	6.75	.38	3.00	-	1.06	.44	△ OBSOLETE
2-846985-2	18.00	.38	6.00	-	1.50	1.50	△
2-846985-3	24.00	.38	6.00	-	1.50	1.50	△
2-846985-4	30.00	.38	-	6.00	1.50	1.50	△ OBSOLETE
2-846985-5	20.22	.38	-	4.00	8.00	4.00	△ OBSOLETE
2-846985-6	21.00	.38	10.00	10.00	1.50	1.00	△ OBSOLETE
2-846985-7	60.00	.38	8.00	8.00	1.25	2.00	△
2-846985-8	49.00	.38	-	12.00	1.50	2.00	△
2-846985-9	180.00	.38	8.00	8.00	1.25	2.00	△ OBSOLETE
3-846985-0	6.50	.38	8.00	8.00	1.50	2.00	△ OBSOLETE
3-846985-1	9.50	.38	8.00	8.00	1.50	2.00	△ OBSOLETE
3-846985-2	66.00	.38	12.00	12.00	1.50	2.00	△ OBSOLETE
3-846985-3	108.00	.38	12.00	12.00	1.50	2.00	△ OBSOLETE
3-846985-4	12.00	.38	-	6.00	1.50	2.00	△
3-846985-5	7.50	.38	-	6.00	1.50	2.00	△
3-846985-6	13.50	.38	-	8.00	1.25	2.00	△
3-846985-7	7.50	.38	-	8.00	1.25	2.00	△
3-846985-8	96.00	.38	-	12.00	1.50	2.00	△
3-846985-9	12.00	.38	6.00	6.00	1.50	2.00	△
5-846985-9	12.00	.38	6.00	-	1.50	2.00	△
7-846985-8	49.00	.38	-	12.00	1.50	2.00	△

LOC	DIST	REVISIONS			
DF	SO	REV	DESCRIPTION	DATE	BY
		AD	REV PER ECO-05-014991	31JAN06	PY DE

- △ TOLERANCE: UP TO 24" = ±.12  
24" & UP = ±1%
- 2. COLOR OF LEAD WIRE WHITE.
- △ TO MATE WITH AMP LGH-1/2 RECEPTACLE WITH .53 BARREL DEPTH.
- 4. MARK PER MIL-STD-130.
- △ BOTH GND LEADS INCLUDE RING TONGUE TERMINAL.
- △ PIGTAIL IS SOLDER DIPPED.
- △ INSULATION CUT, BUT NOT REMOVED.



THIS DRAWING IS A CONTROLLED DOCUMENT.		DWN T. THOMPSON 25-AUG-93	 Tyco Electronics Corporation Harrisburg, Pa 17105-3608
DIMENSIONS: INCHES		CHK D. FARY 24-SEP-93	
TOLERANCES UNLESS OTHERWISE SPECIFIED:		APP'D D. FARY 24-SEP-93	NAME D. FARY
0 PLC ± - 1 PLC ± - 2 PLC ± .03 3 PLC ± .010 4 PLC ± - ANGLES ± -		PRODUCT SPEC	LEAD ASSY, SHIELDED W/GLASS BRAID JACKET LGH-1/2
MATERIAL		APPLICATION SPEC	RESTRICTED TO
FINISH		SIZE A1	CAGE CODE 00779
		WEIGHT	DRAWING NO 846985
		CUSTOMER DRAWING	SCALE 4:1
			SHEET 1 OF 1
			REV AD

# Mouser Electronics

Authorized Distributor

Click to View Pricing, Inventory, Delivery & Lifecycle Information:

[TE Connectivity:](#)

[2-846985-7](#)