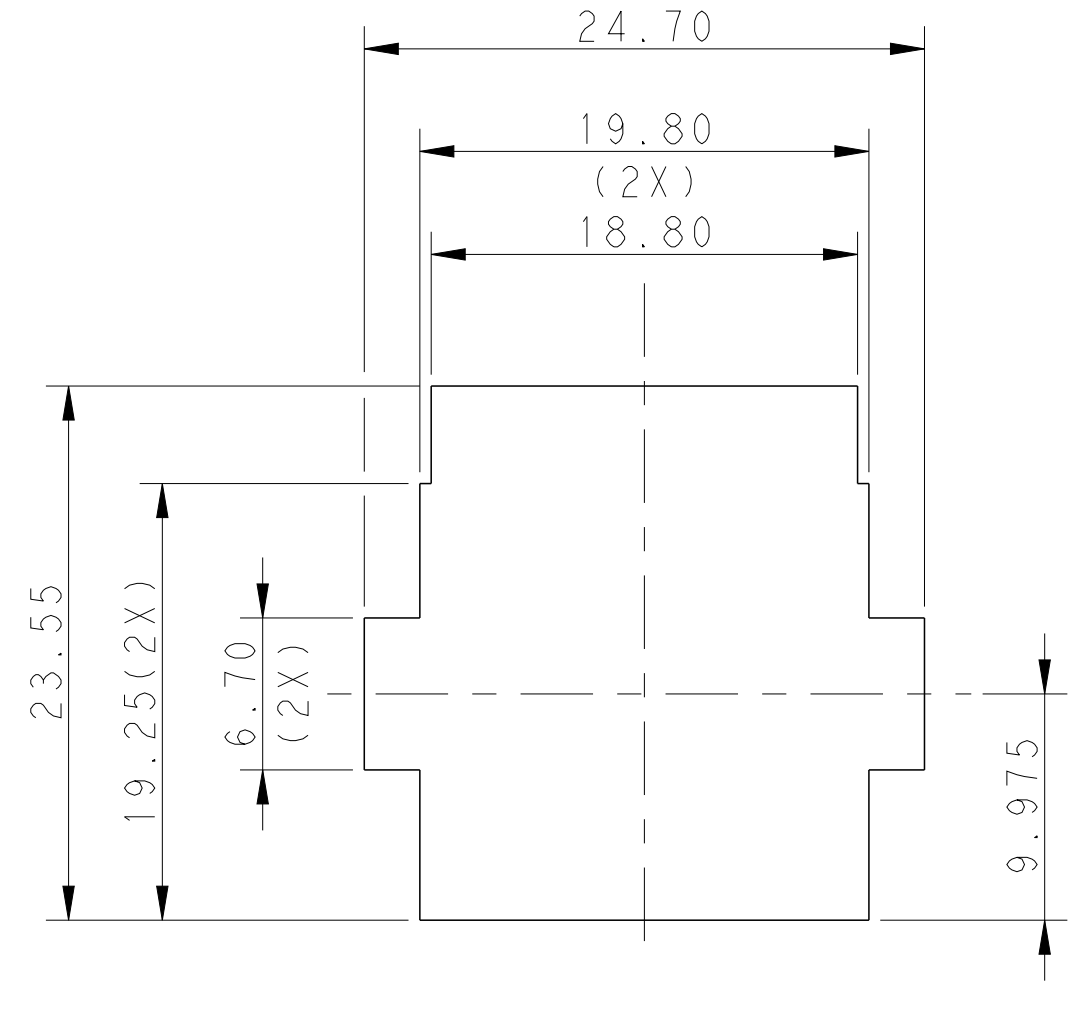
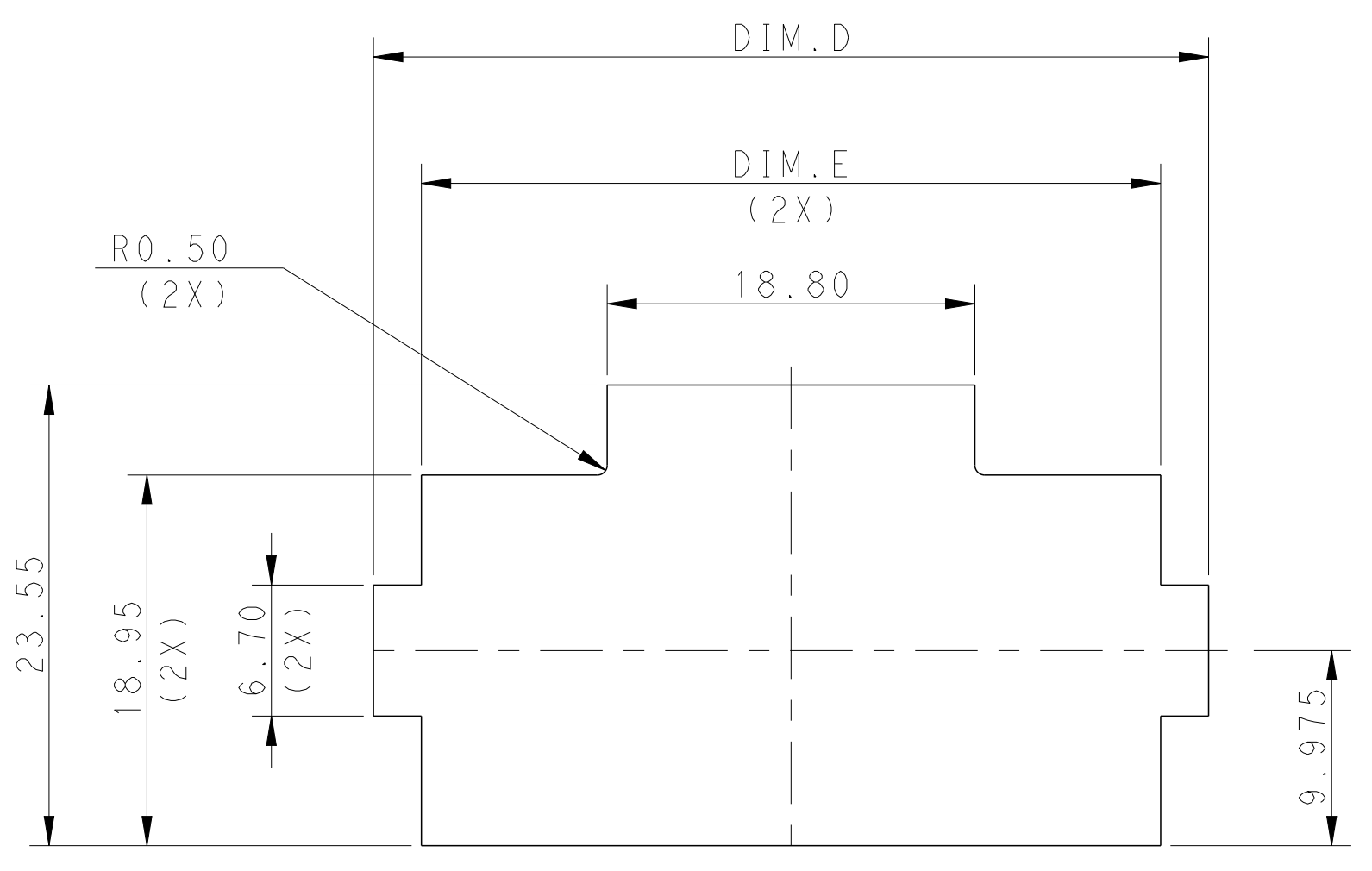
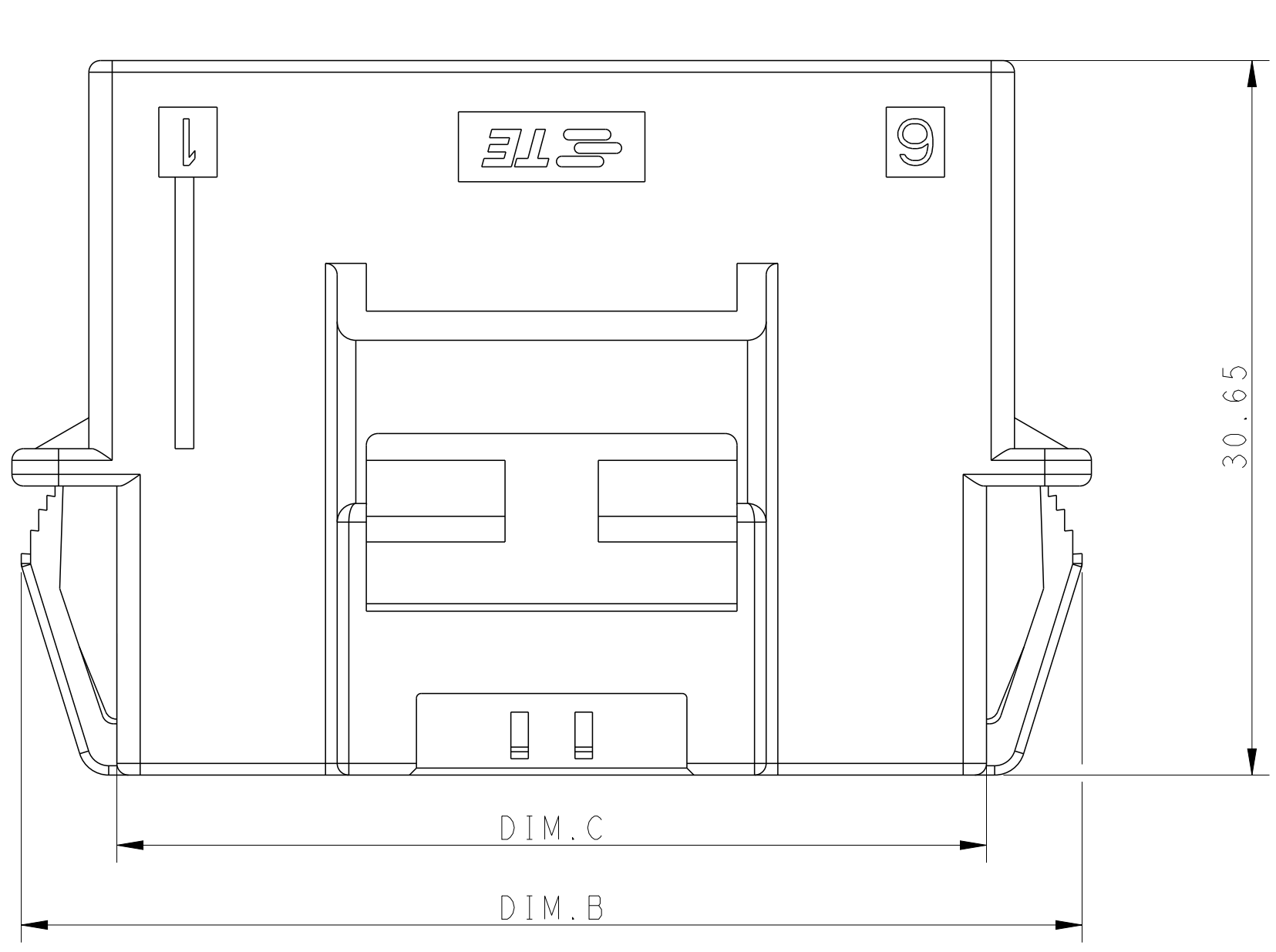
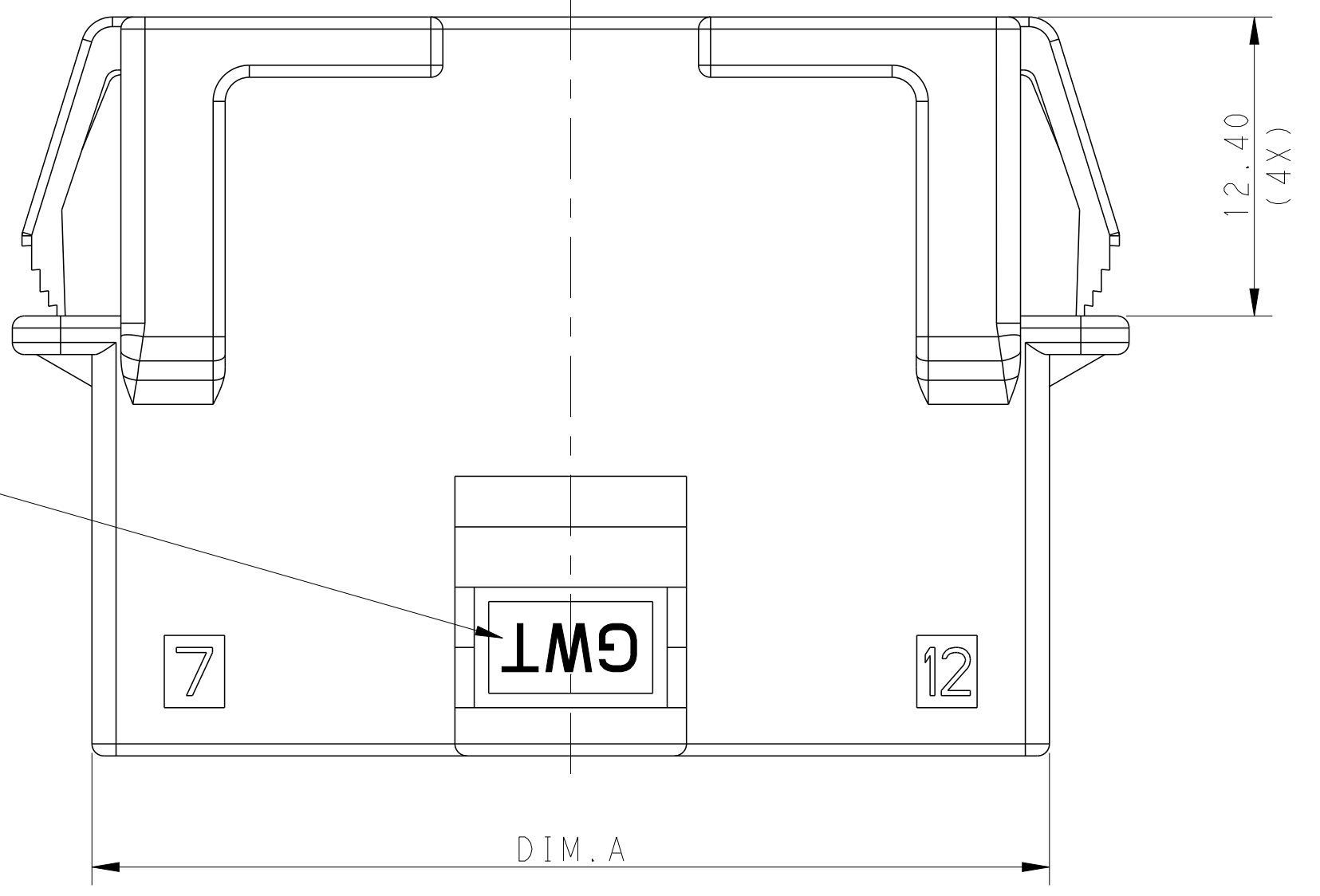
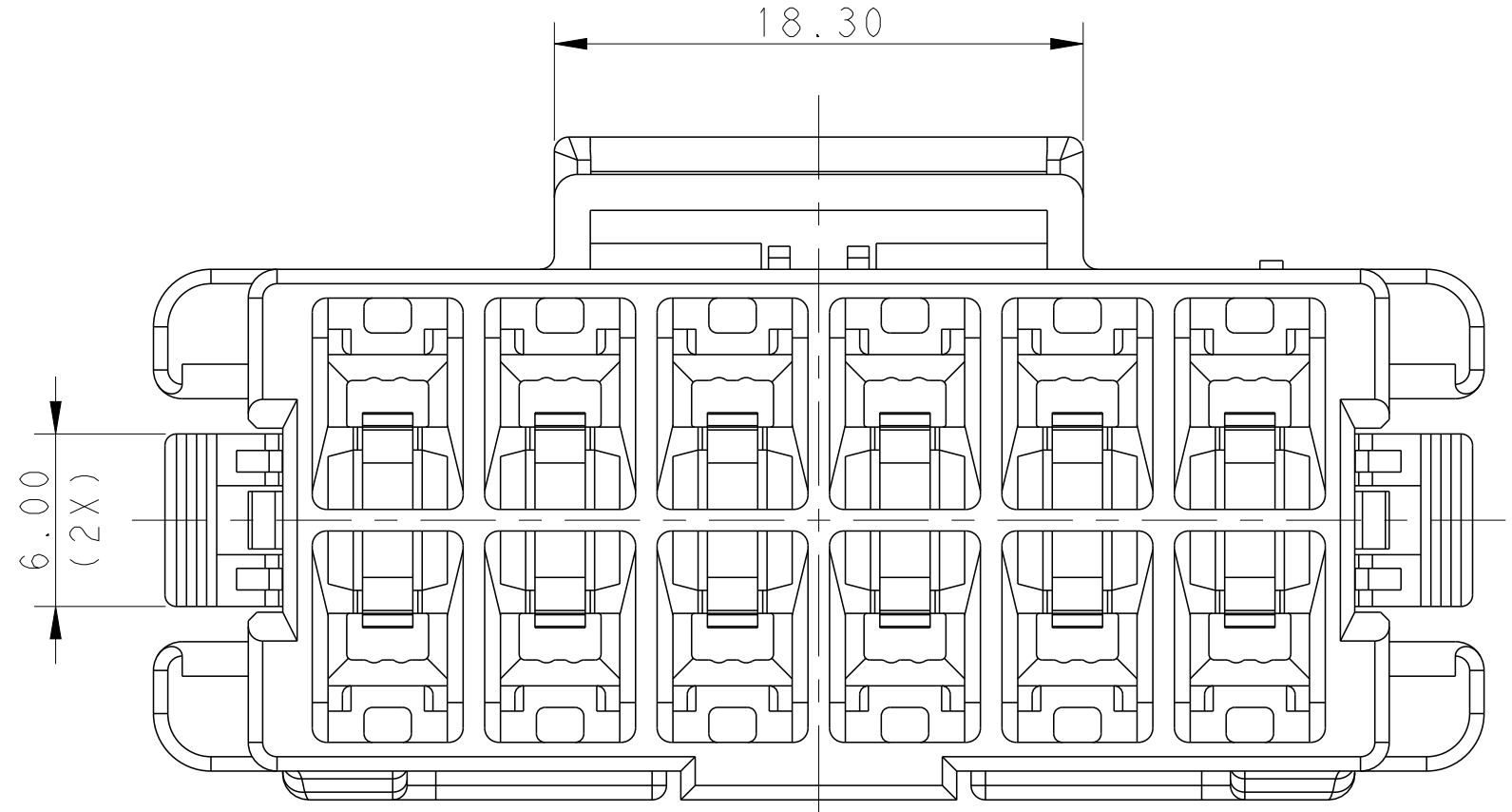
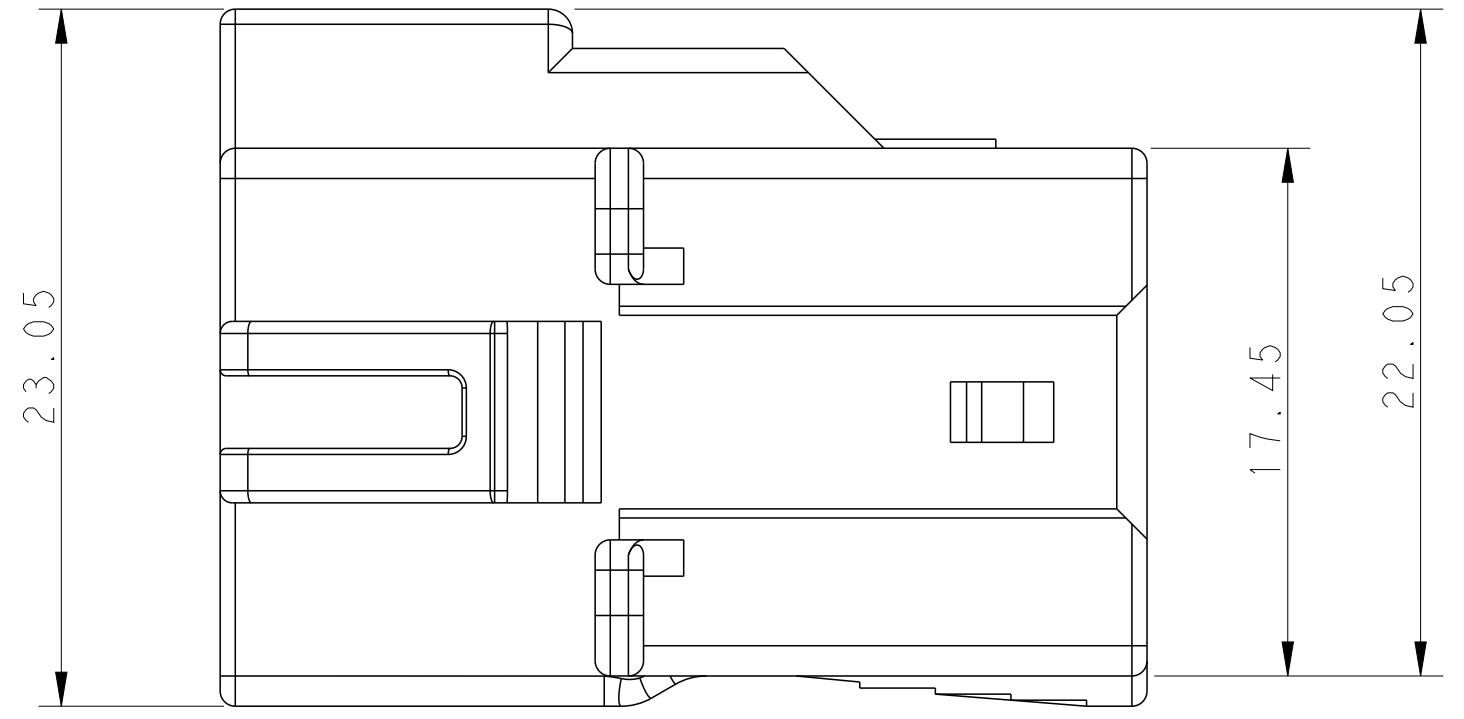
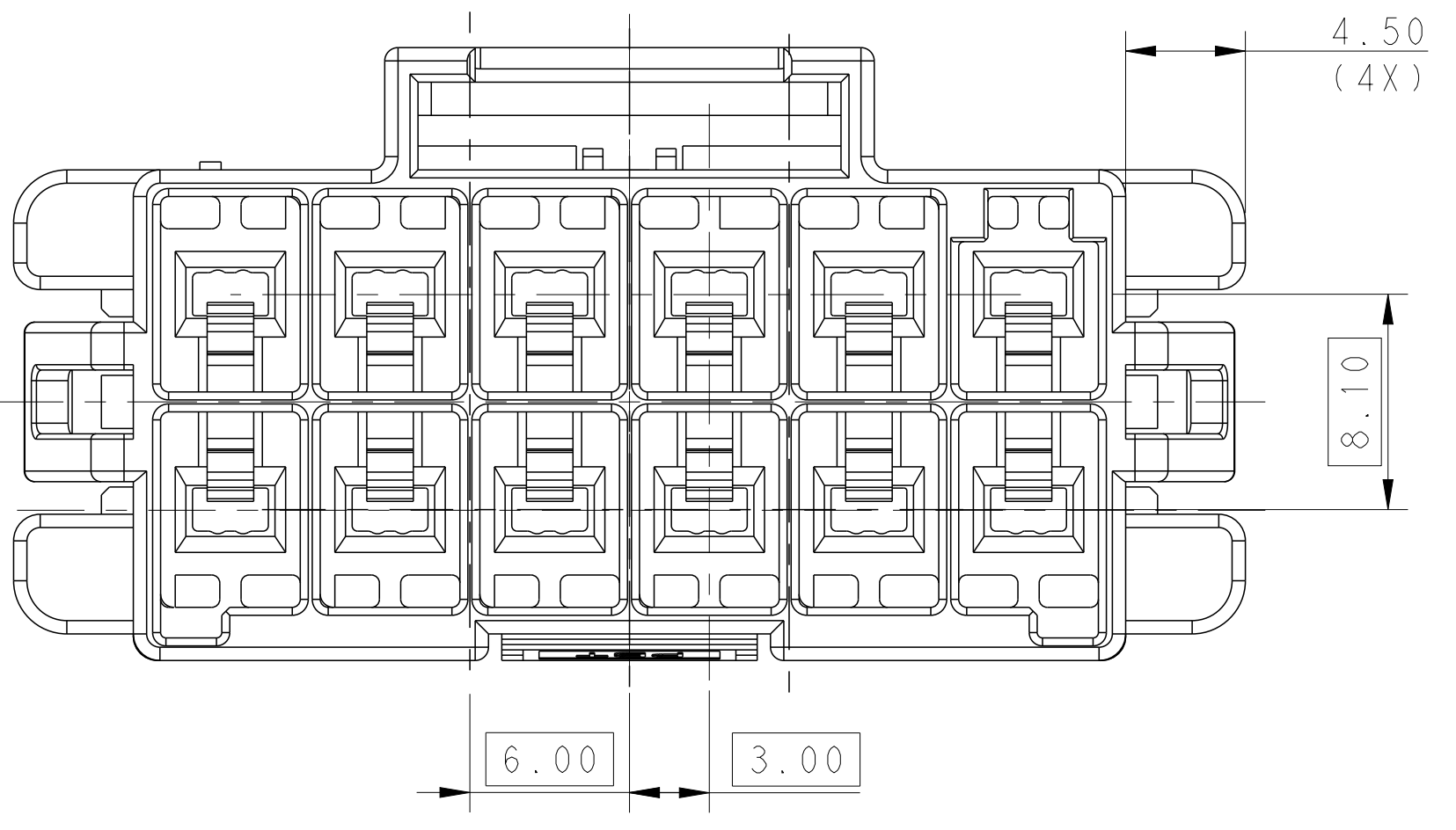


REVISIONS						
LOC	DIST	P. LTR	DESCRIPTION	DATE	DWN	APVD
-	-	B	REVISED PER ECR-16-003314	18JUL2016	BW	GJ



RECOMMENDED PANEL OPENING DIMENSIONS FOR CAP HOUSING 2*6 AND 2*5 AND 2*4 POSITIONS (TOLERANCE: ±0.15mm)

RECOMMENDED PANEL OPENING DIMENSIONS FOR CAP HOUSING 2*3 POSITION (TOLERANCE: ±0.15mm)



- MATERIAL:
 LEVEL A: PA6 GLASS FILLED, COMPLY WITH GLOW WIRE REQUIREMENTS FOR PARTS OF NON-METALLIC MATERIAL SUPPORTING A CURRENT-CARRYING CONNECTION DETAILED IN IEC 60335-1, SECTION 30 (GWT), UL 94V-0
 LEVEL B: PBT GLASS FILLED, HOT WIRE IGNITION (HWI) VERSION ARE MOLDED IN A RESIN THAT COMPLIES WITH TE HOT WIRE IGNITION TEST 109-32026 AND ARE RECOMMENDED FOR USE WITH HWI HOUSINGS THAT ALSO COMPLY, UL 94V-0

MATERIAL MARK:
 LEVEL A:GWT, LEVEL B:HWT

3. APPLICABLE CONTACT P/N
 TAB CONTACT: 1971238/1971780/82/84/86/88-*, 2238067-*

4. MATING CONN, P/N
 PLUG HSG: *-2232266-
 TPA (LOCK PLATE): *-1971778-*

5. RECOMMENDED PANEL THICKNESS: 1.0~2.0mm

6. THIS PRODUCT HAS NOT COMPLETED VALIDATION TESTING.

POS	A	B	C	D	E
2*6	39.70	45.5	37.30	42.70	37.80
2*5	33.70	39.5	31.30	36.70	31.80
2*4	27.70	33.5	25.30	30.70	25.80
2*3	21.70	27.5	19.30		

THIS DRAWING IS A CONTROLLED DOCUMENT.

DIMENSIONS:	TOLERANCES UNLESS OTHERWISE SPECIFIED:	DWN	TOMMY WU	26MAR2013
mm	0 PLC ±	CHK	HAPYE WU	26MAR2013
	1 PLC ±0.35	APVD	YUZHONG MAO	26MAR2013
	2 PLC ±0.25	PRODUCT SPEC		
	3 PLC ±	APPLICATION SPEC		
	4 PLC ±	108-106118		
	ANGLES ±	114-106118		
MATERIAL	FINISH	WEIGHT		

Customer Drawing

TE Connectivity

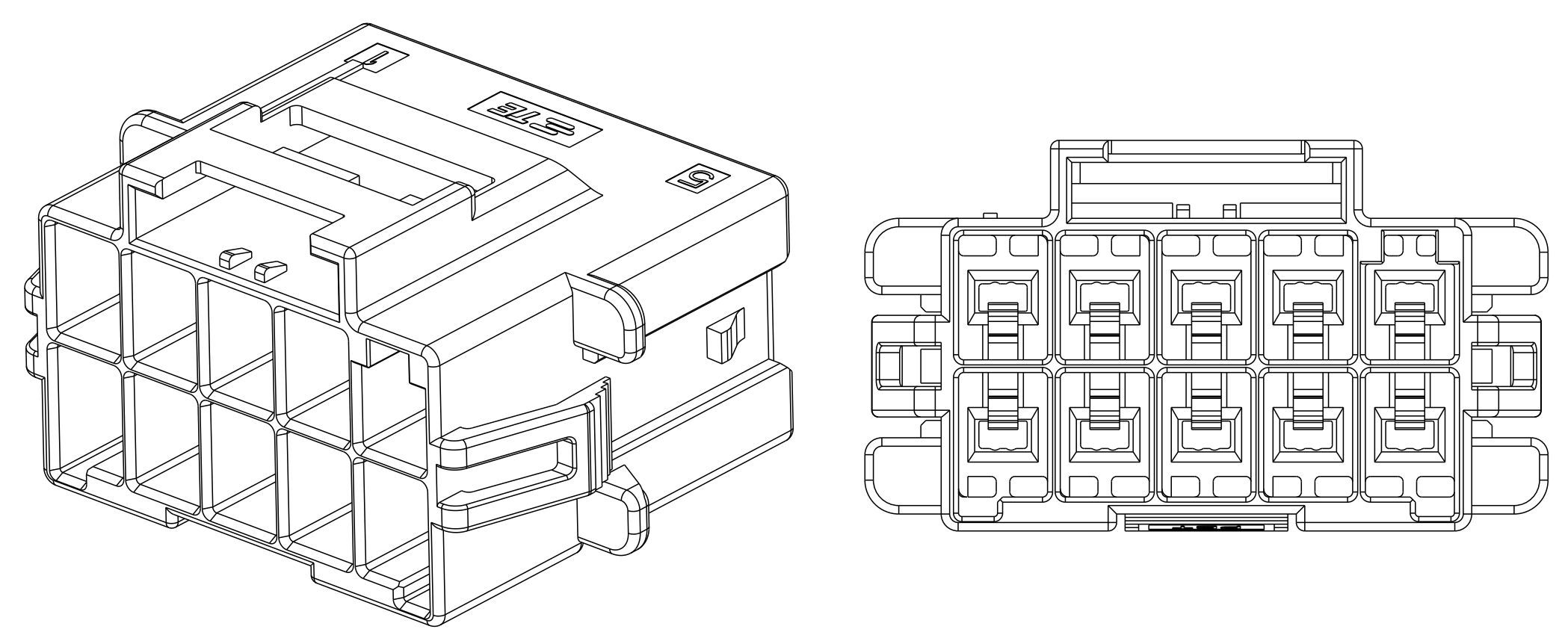
NAME: CAP HOUSING, PANEL MOUNT, DOUBLE ROW POWER TRIPLE LOCK

SIZE: A1 CAGE CODE: 100779 DRAWING NO: 2232264

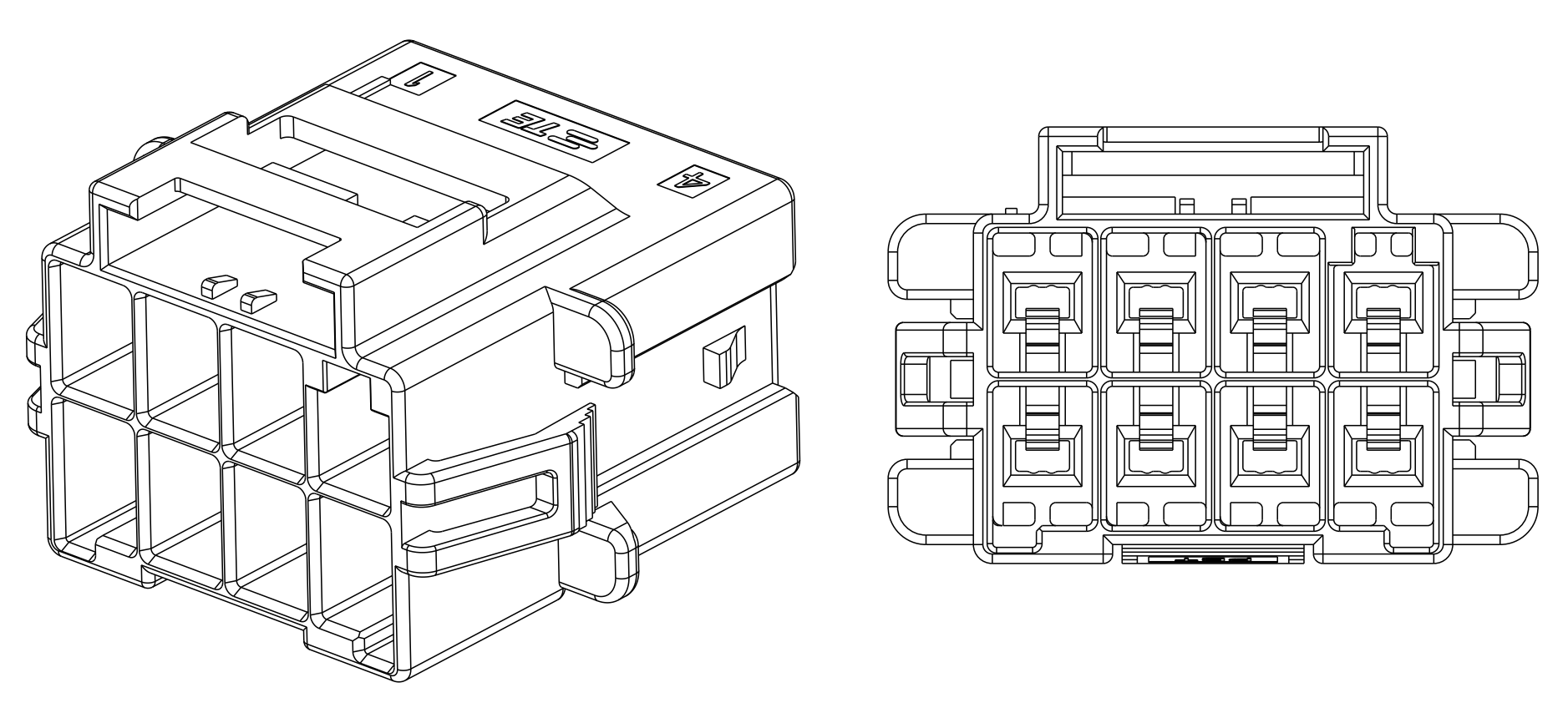
RESTRICTED TO: -

SCALE: - SHEET: 1 OF 2 REV: B

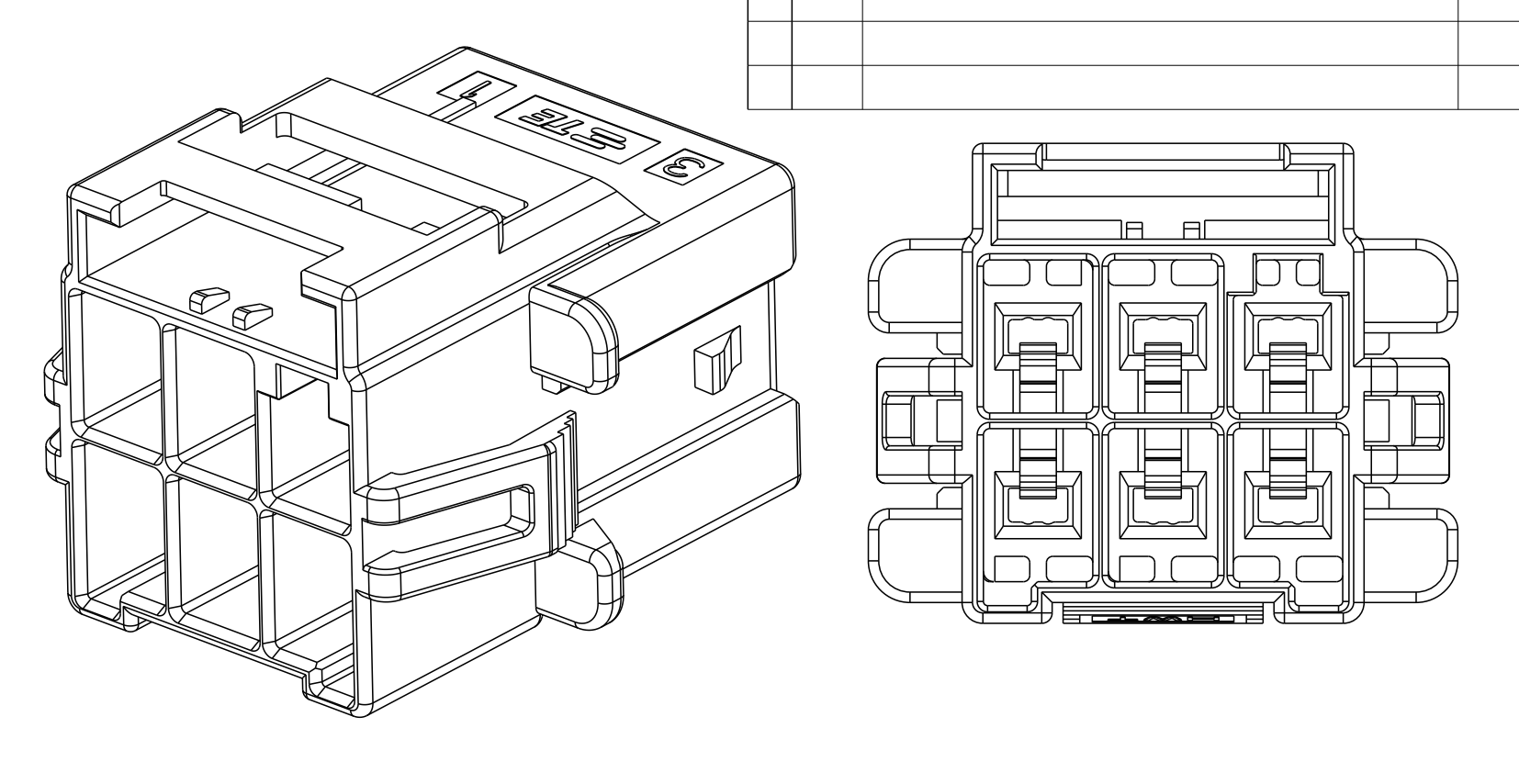
LOC	DIST	REVISIONS			
P	LTN	DESCRIPTION	DATE	OWN	APVD
-	-	SEE SHEET 1	-	-	-



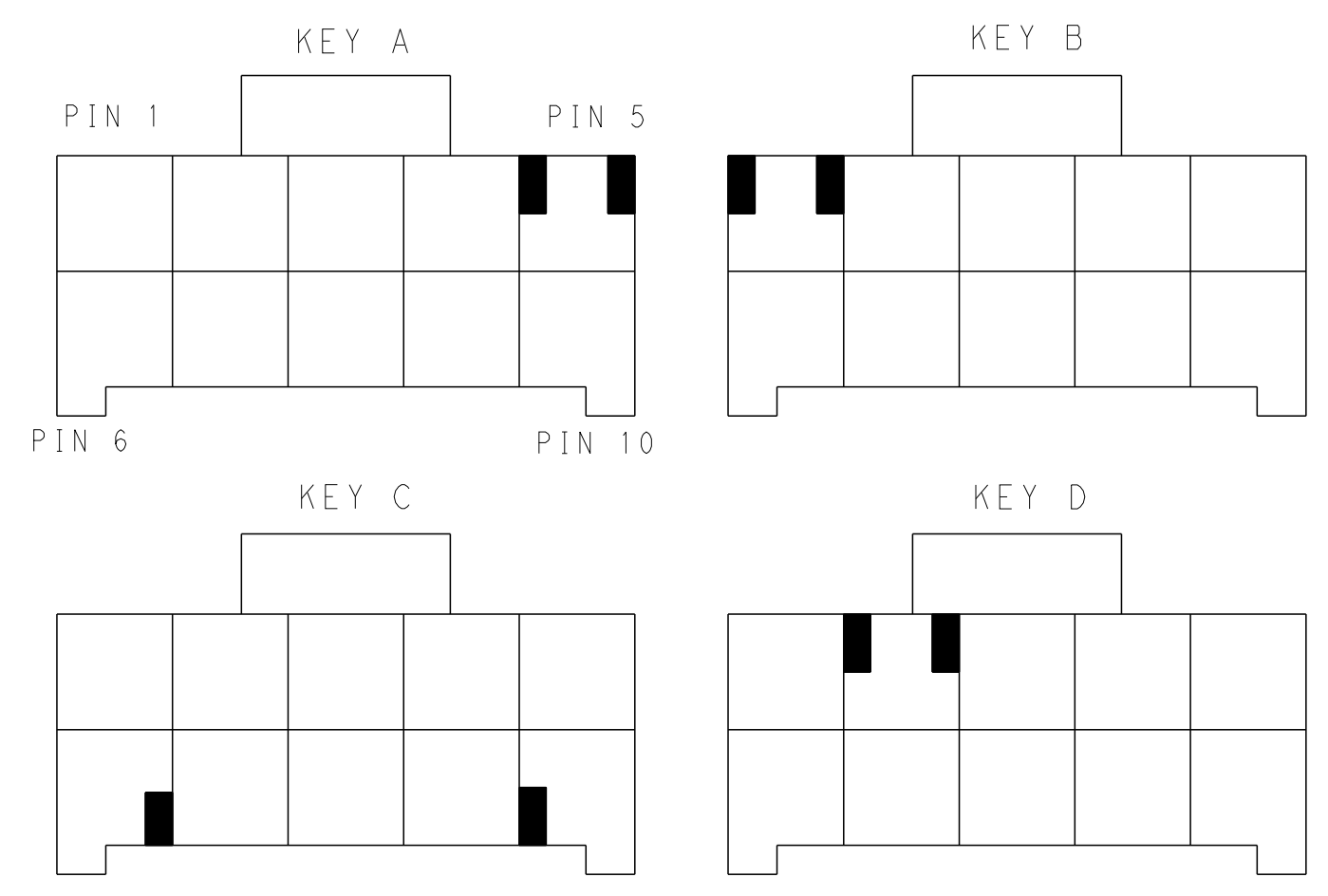
2*5 POSITIONS



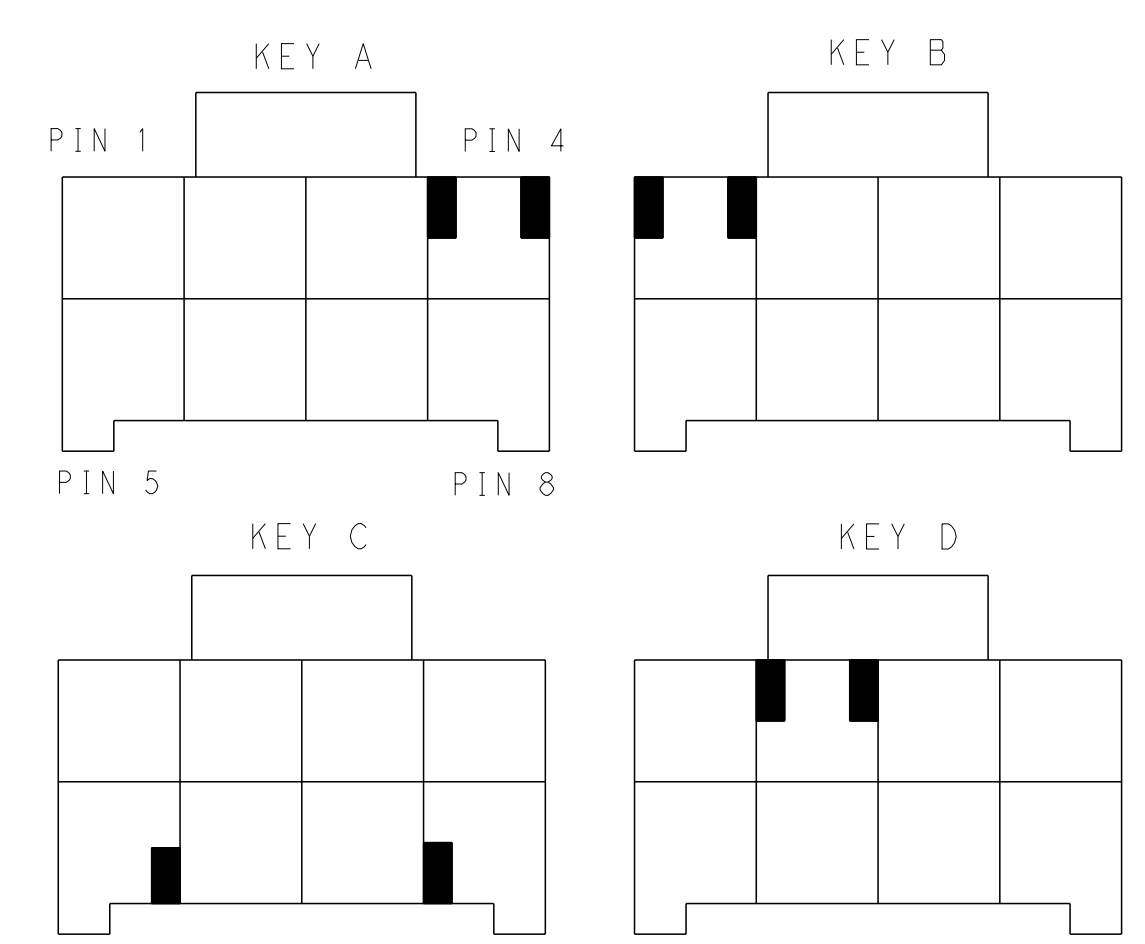
2*4 POSITIONS



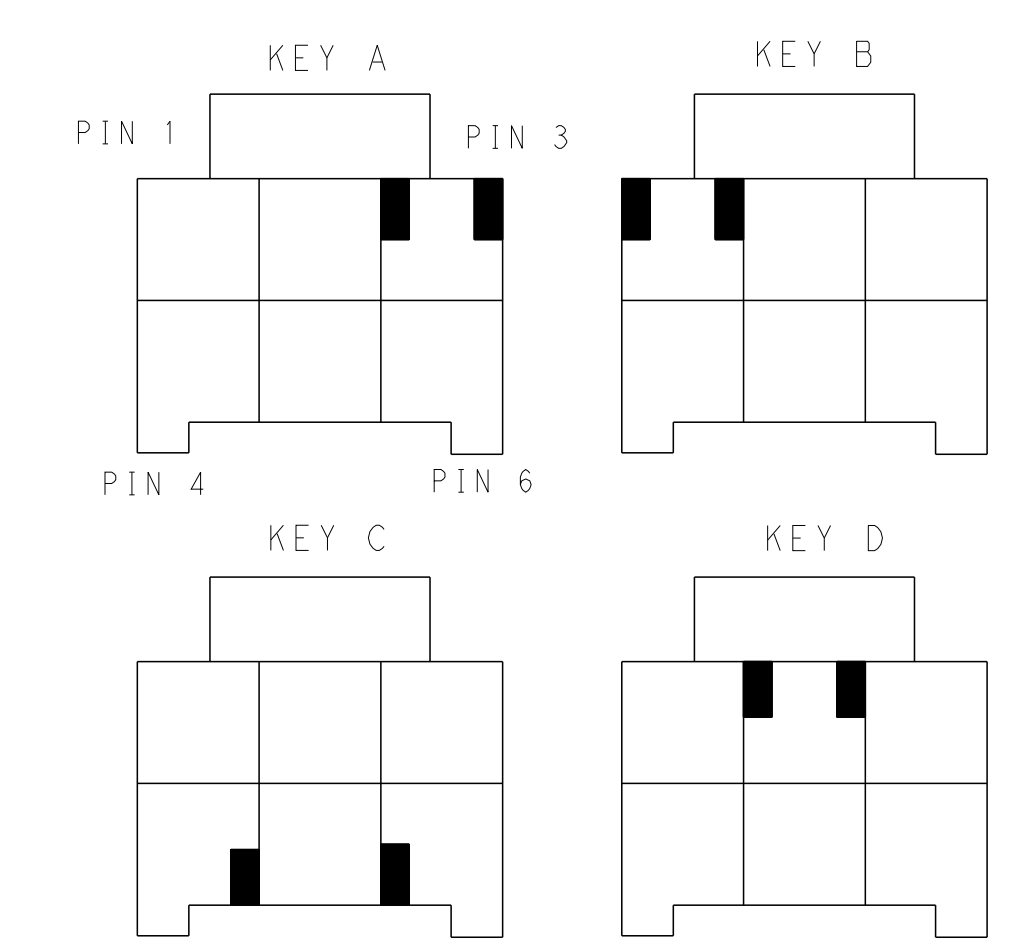
2*3 POSITIONS



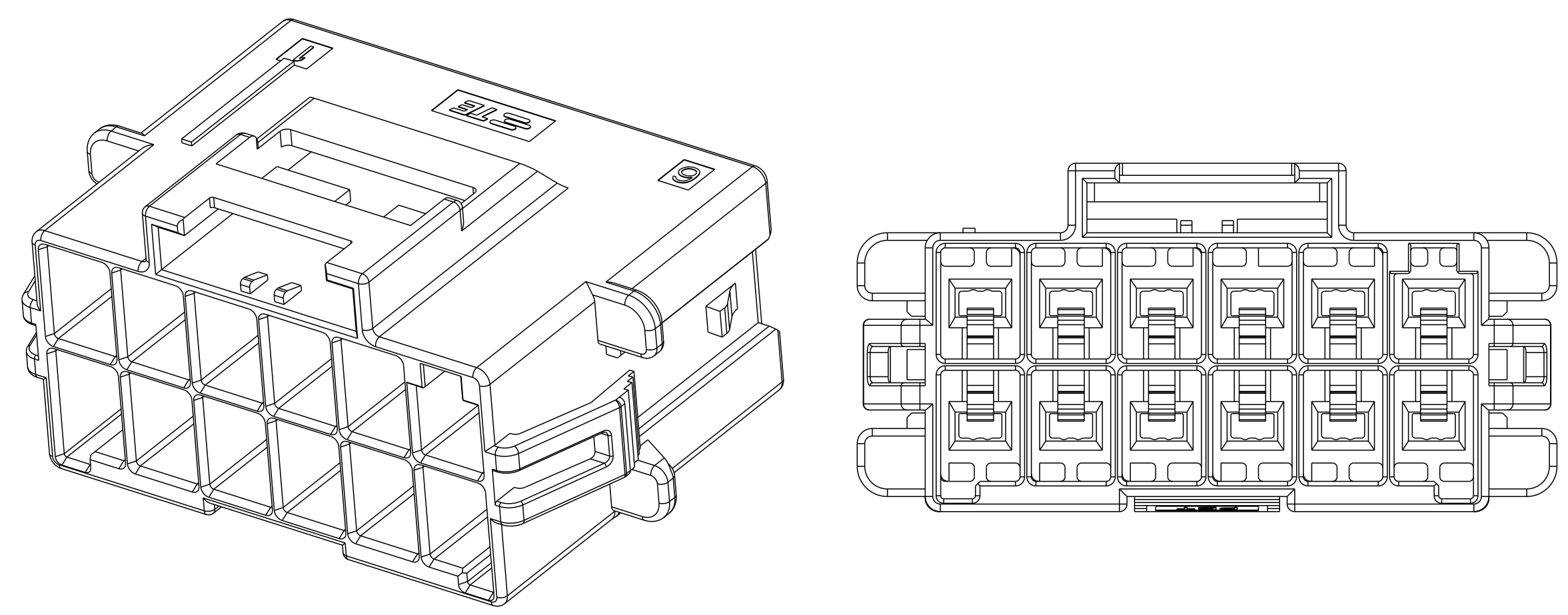
KEYING FOR 2*5 POS.



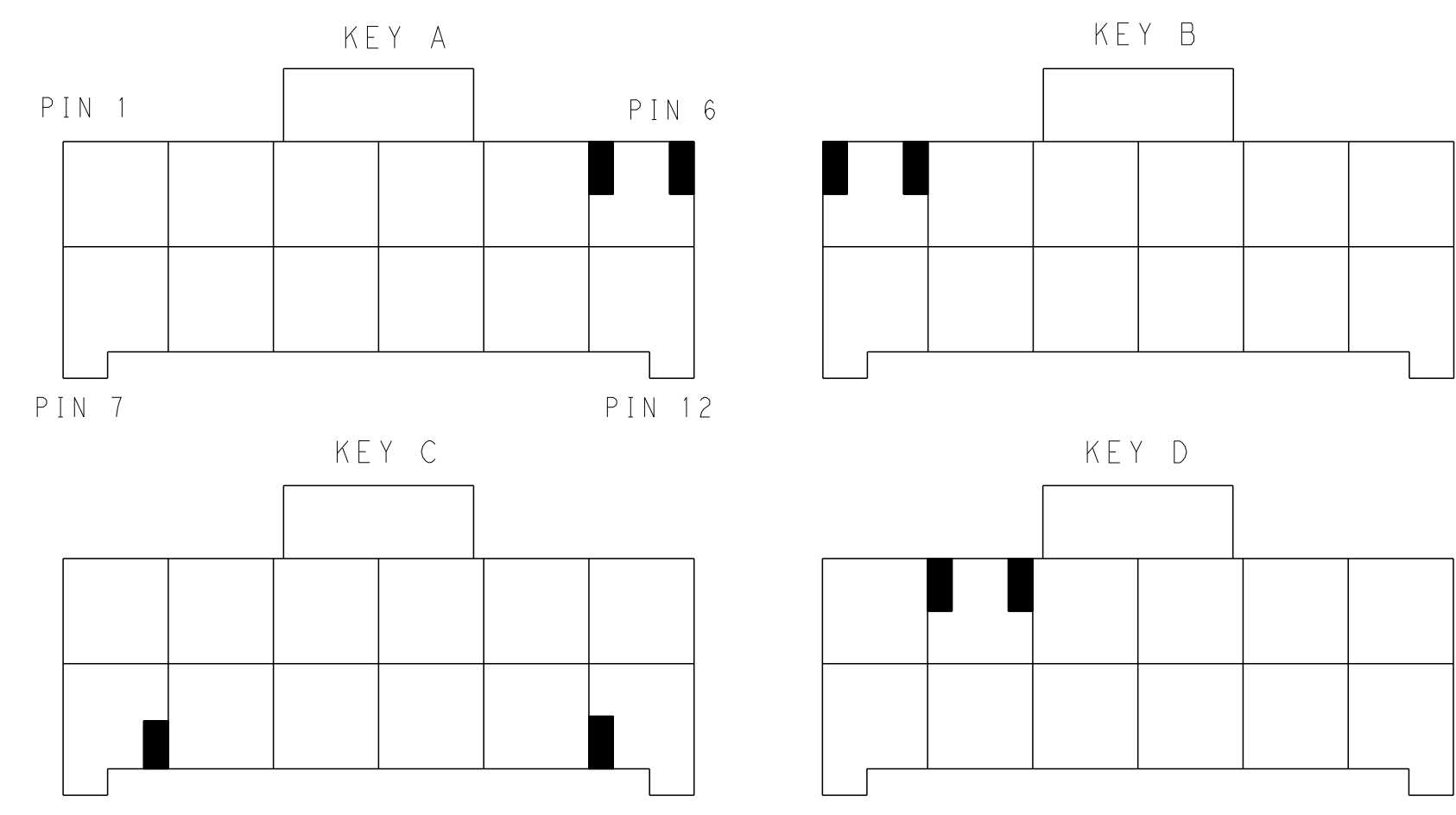
KEYING FOR 2*4 POS.



KEYING FOR 2*3 POS.



2*6 POSITIONS



KEYING FOR 2*6 POS.

POS.	MATERIAL	COLOR	KEY	P/N
2*6	LEVEL A	DARK GREY	KEY A	5-2232264-6
		BROWN	KEY B	6-2232264-6
		GREEN	KEY C	7-2232264-6
		ORANGE	KEY D	8-2232264-6
2*5	LEVEL A	DARK GREY	KEY A	5-2232264-5
		BROWN	KEY B	6-2232264-5
		GREEN	KEY C	7-2232264-5
		ORANGE	KEY D	8-2232264-5
2*4	LEVEL A	DARK GREY	KEY A	5-2232264-4
		BROWN	KEY B	6-2232264-4
		GREEN	KEY C	7-2232264-4
		ORANGE	KEY D	8-2232264-4
2*3	LEVEL A	DARK GREY	KEY A	5-2232264-3
		BROWN	KEY B	6-2232264-3
		GREEN	KEY C	7-2232264-3
		ORANGE	KEY D	8-2232264-3
	LEVEL B	BLACK	KEY A	1-2232264-1

THIS DRAWING IS A CONTROLLED DOCUMENT.

OWN: TOMMY WU 26MAR2013
 CHK: HAPYE WU 26MAR2013
 APVD: YUHONG MAO 26MAR2013

TOLERANCES UNLESS OTHERWISE SPECIFIED:
 0 PLC ±.
 1 PLC ±0.35
 2 PLC ±0.25
 3 PLC ±.
 4 PLC ±.
 ANGLES ±.
 FINISH ±.

DIMENSIONS: mm

MATERIAL: -

Customer Drawing

APVD: YUHONG MAO 26MAR2013

PRODUCT SPEC: 108-106118

APPLICATION SPEC: 114-106118

WEIGHT: -

SCALE: -

SHEET 2 OF 2

REV B

STE TE Connectivity

NAME: CAP HOUSING, PANEL MOUNT, DOUBLE ROW POWER TRIPLE LOCK

SIZE: A100779

SCALE: C=2232264

Mouser Electronics

Authorized Distributor

Click to View Pricing, Inventory, Delivery & Lifecycle Information:

[TE Connectivity:](#)

[5-2232264-3](#)