

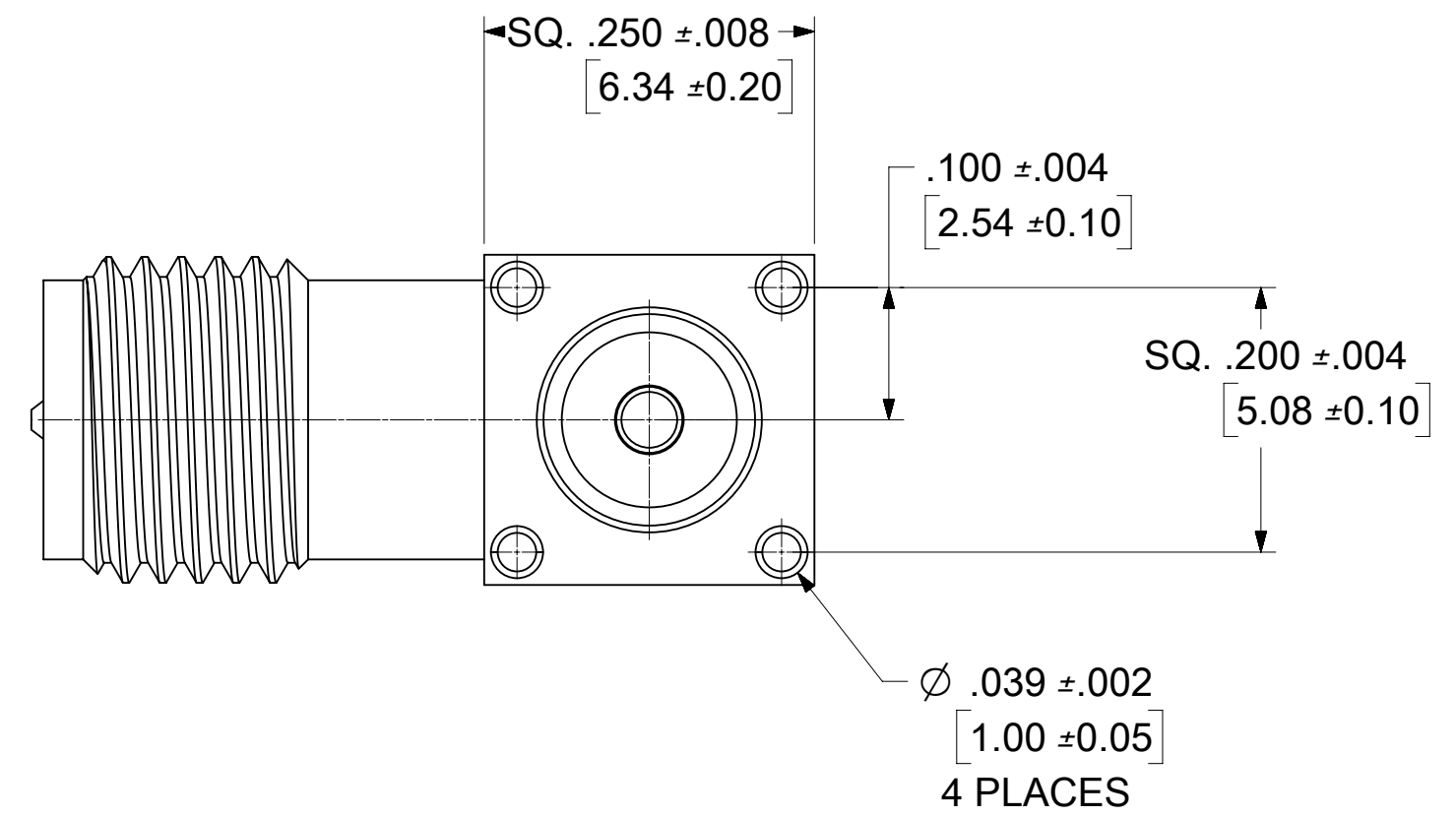
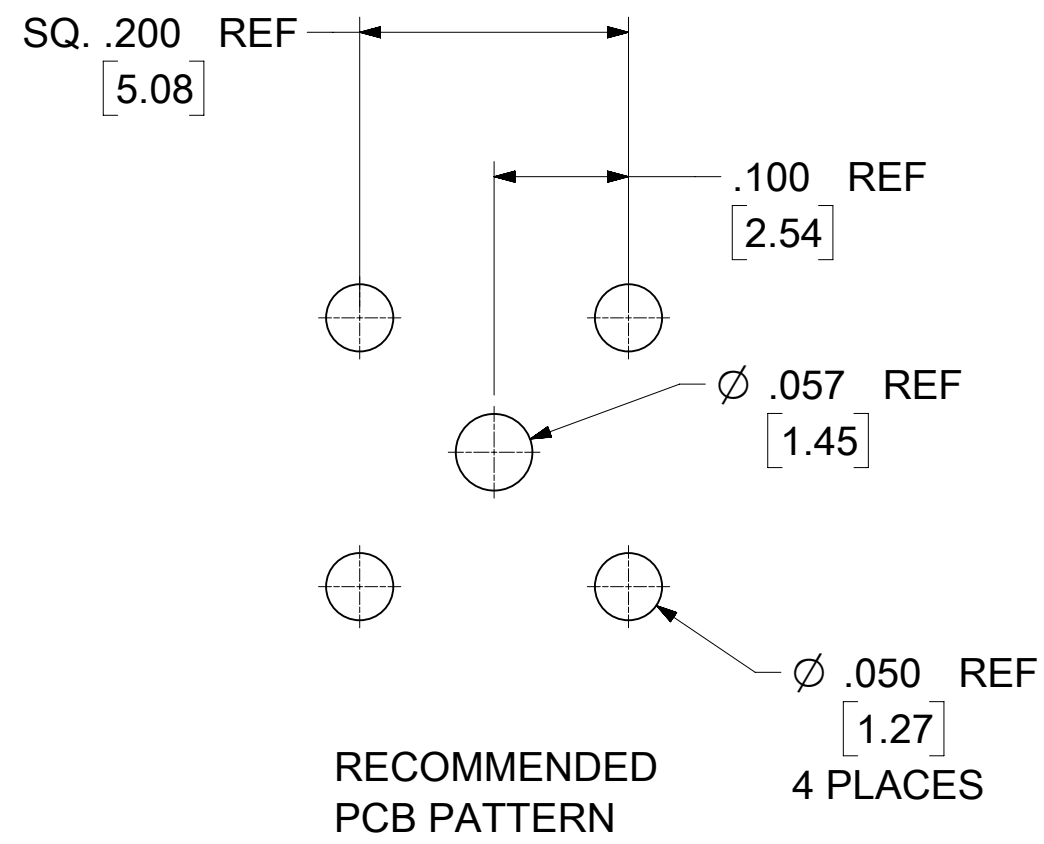
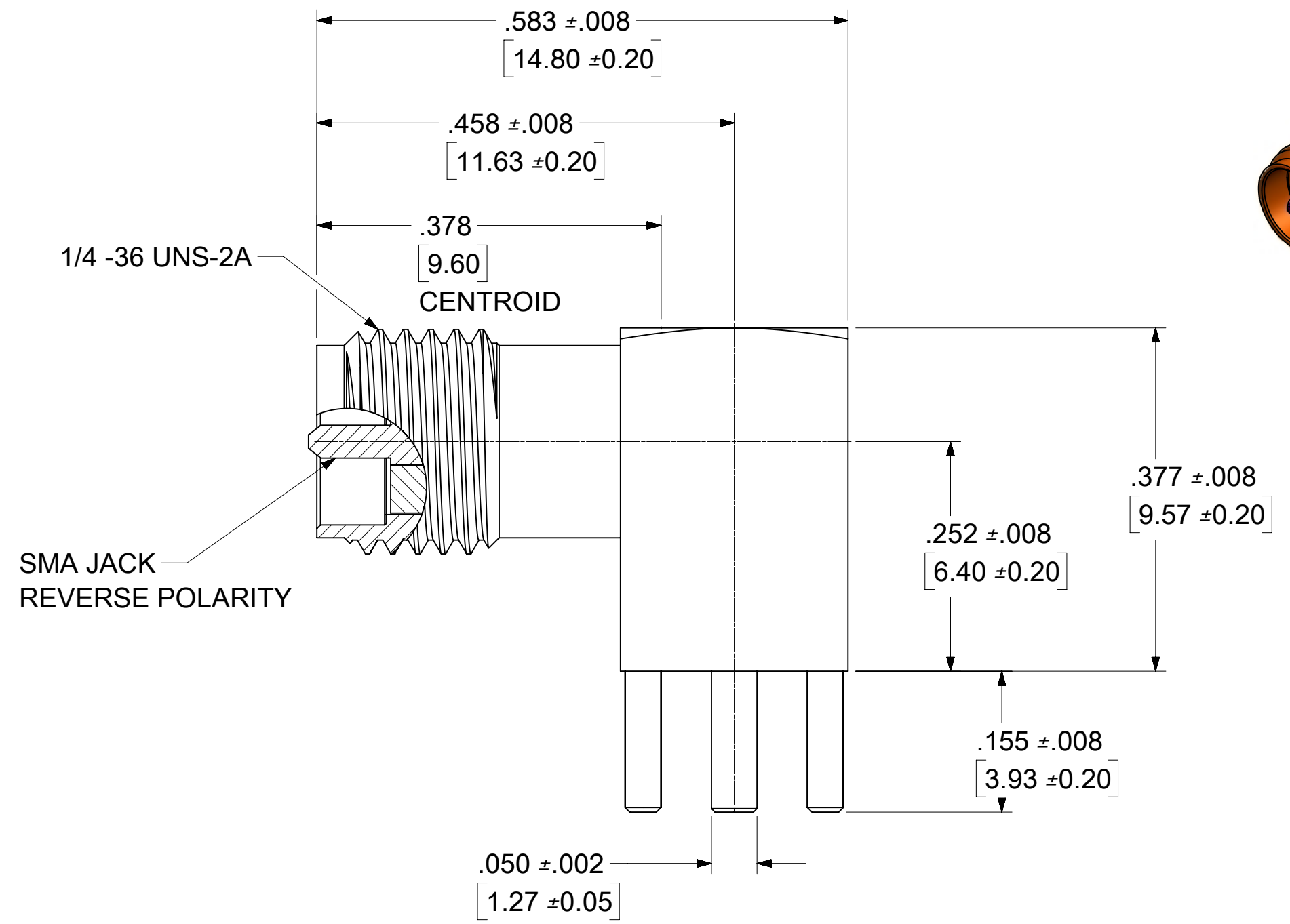
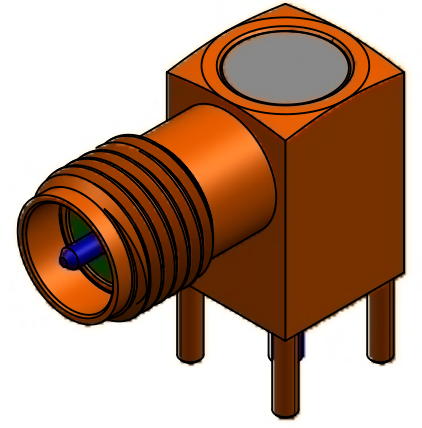
MATERIALS AND FINISHES:

BODY: ZINC ALLOY
PLATED SEE TABLE

CONTACT: BRASS
PLATED SEE TABLE

INSULATOR: TEFLON

CAP: BRASS
PLATED SEE TABLE



73391-0322	GOLD FLASH	GOLD 1u" ~ 3u"
73391-0321	NICKEL 100u" ~ 150u"	GOLD 1u" ~ 3u"
73391-0320	GOLD 1u" ~ 3u"	GOLD 10u" ~ 30u"
PART NO.	BODY & CAP	CONTACT

PS-89675-283	PRODUCT SPECIFICATION
SPECIFICATION	DESCRIPTION

A7	2019/10/18	ADDED CENTROID DIM. PER EWR # 13036-B
A6	2019/04/16	ADD TOLERANCE & MIGRATE TO ECTR PER EWR13036-A
REV.	DATE	DESCRIPTION

SYMBOLS DIMENSION UNITS: HYBRID SCALE: NTS GENERAL TOLERANCES (UNLESS SPECIFIED): ANGULAR TOL ± 2.0° 4 PLACES ± 3 PLACES ± 2 PLACES ± 1 PLACE ± 0 PLACES ± DRAFT WHERE APPLICABLE MUST REMAIN WITHIN DIMENSIONS	THIS DRAWING CONTAINS INFORMATION THAT IS PROPRIETARY TO MOLEX ELECTRONIC TECHNOLOGIES, LLC AND SHOULD NOT BE USED WITHOUT WRITTEN PERMISSION.		CURRENT REV DESC: EC NO: 623763 DRWN: ELIN 2019/10/18 CHK'D: YCHENG 2019/11/01 APPR: YCHENG 2019/11/01			
	INITIAL REVISION: DRWN: CLAIRE LEE 2001/10/25 APPR: MISEN 2001/10/25		PRODUCT CUSTOMER DRAWING DOCUMENT NUMBER: SD-73391-032 DOC TYPE: PSD DOC PART: 001 REVISION: A7			
MATERIAL NUMBER: SEE TABLE CUSTOMER: GENERAL MARKET SHEET NUMBER: 1 OF 1		DRAWING: C-SIZE SERIES: 73391				