

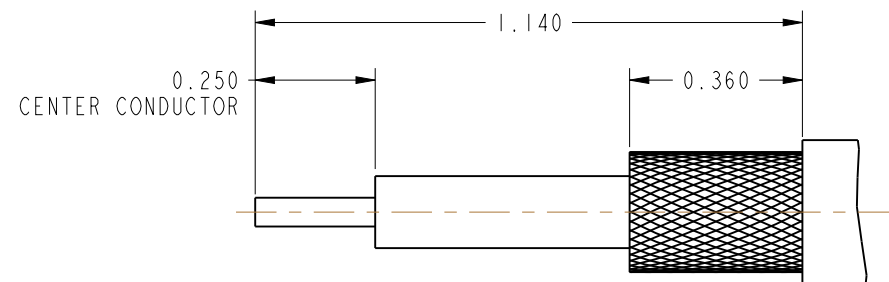
NOTES:

1. MATERIALS AND FINISHES:
 BODY & COUPLIG NUT - BRASS, NICKEL PLATING
 CONTACT - BRASS, NICKEL PLATING
 INSERT - LCP
 FERRULE - COPPER, SILVER PLATING
2. MECHANICAL:
 A. DURABILITY: 500 CYCLES MIN.
 B. TEMPERATURE RANGE: -65°C TO +165°C
3. PACKAGING:
 A. QUANTITY: SINGLE PACK
 B. MARKING: BAG TO BE MARKED
 "AMPHENOL RF, 83-58SP, AND DATE CODE"
4. CABLE ASSEMBLY INSTRUCTIONS:
 A. TRIM CABLE AS SHOWN.
 B. SLIDE FERRULE ONTO THE CABLE.
 C. INSERT CABLE INTO CONNECTOR.
 D. SOLDER CONTACT TO CABLE.
 E. CRIMP FERRULE WITH AMPHENOL TOOL 227-944 AND DIE SET
 227-1221-11, CAVITY 'A' (0.213" HEX).
5. * SHOWS CABLE ENTRY DIMENSIONS.

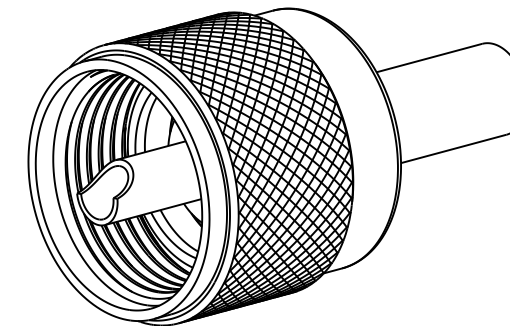
THIRD ANGLE PROJ.

REVISIONS

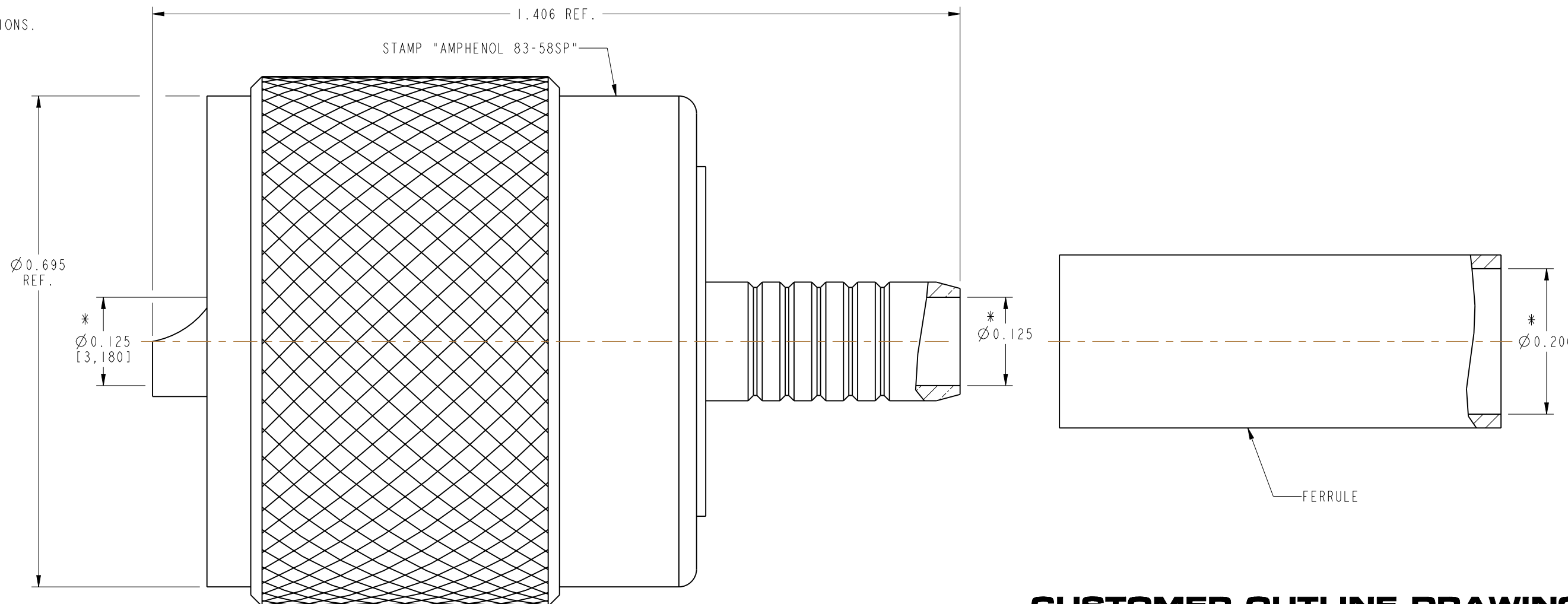
REV	DESCRIPTION	DATE	ECO	APPR
--	RELEASE TO MFG.	--	--	--
F	REDRAWN IN PRO-E & COD ADDED	1/21/14	49831	KR
G	SHEET 1 BOM REVISION	3/20/15	50386	JN



RECOMMENDED CABLE STRIPPING DIMENSIONS



SCALE 2.000



CUSTOMER OUTLINE DRAWING

ALL OTHER SHEETS ARE FOR INTERNAL USE ONLY

UNLESS OTHERWISE SPECIFIED, DIMENSIONS ARE IN INCHES AND TOLERANCES ARE: 2 PLACE DECIMAL 3 PLACE DECIMAL ANGLES ±.015 (0,381 mm) ±.005 (0,127 mm) ± 1°	MATERIAL	DRAWN	DATE	TITLE		Amphenol RF www.amphenolrf.com
	SEE NOTES	KARTHIK R	10-Dec-13			
	REFERENCE	ENGINEER	DATE	SCALE: 6.2:1.0 SHEET 2 OF 2		
	EAR # DOR 312642 EIR 312249-51	K. CAPOZZI	12/10/13	DWG SIZE B REV G		
NOTICE - These drawings, specifications, or other data (1) are, and remain the property of Amphenol corp. (2) must be returned upon request; and (3) are confidential and not to be disclosed to any person other than those to whom they are given by Amphenol Corp. the furnishing of these drawings, specifications, or other data by Amphenol Corp., or to any other person to anyone for any purpose is not to be regarded by implication or otherwise in any manner licensing, granting rights to permitting such holder or any other person to manufacture, use or sell any product, process or design, patented or otherwise, that may in any way be related to or disclosed by said drawings, specifications, or other data.	APPROVED	DATE	DRAWING NO.83-58SP		ITEM NO.83-58SP	
CONFIGURATION LEVEL: In Work	K. CAPOZZI	1/21/14	PART NO.83-58SP			
FINISH	CAD FILE					

Mouser Electronics

Authorized Distributor

Click to View Pricing, Inventory, Delivery & Lifecycle Information:

[Amphenol:](#)

[083-58SP](#)