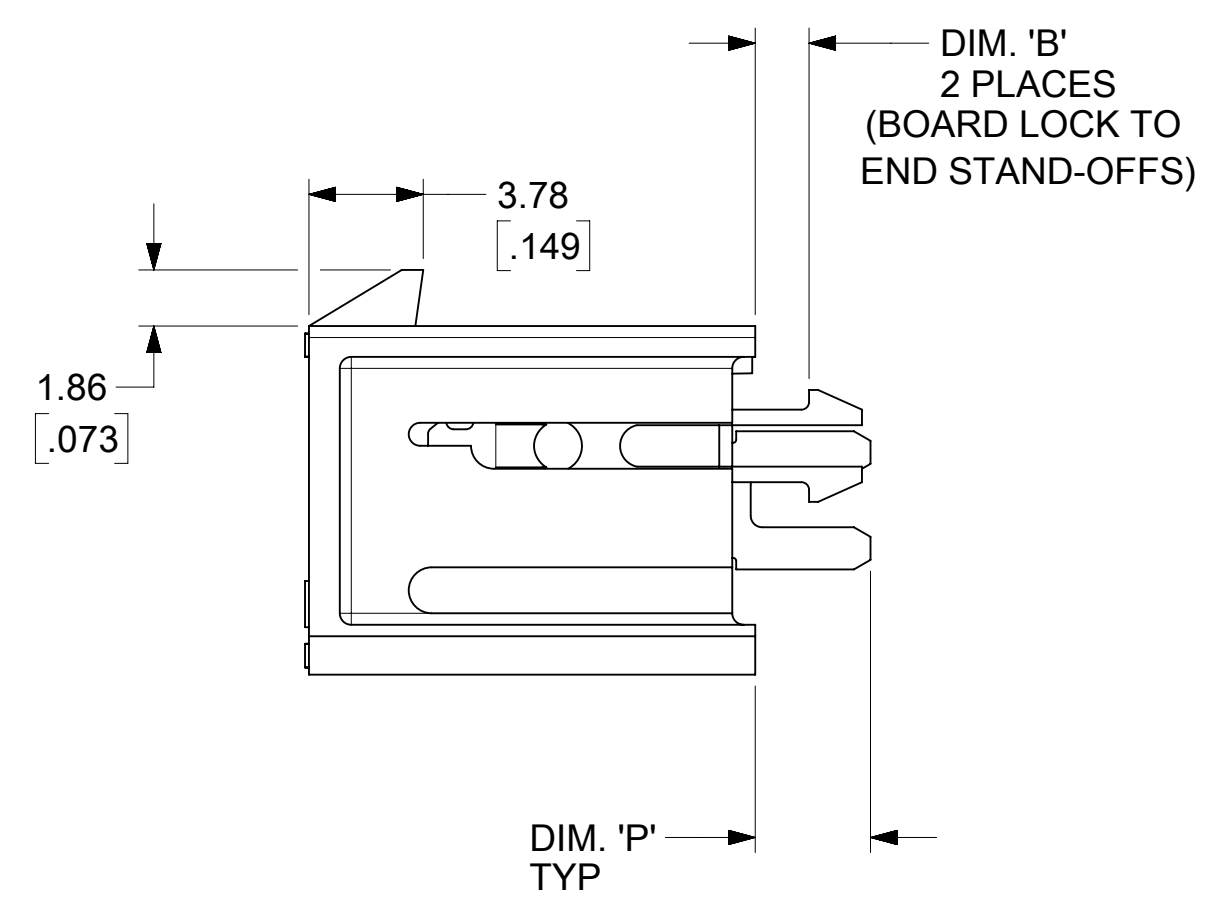
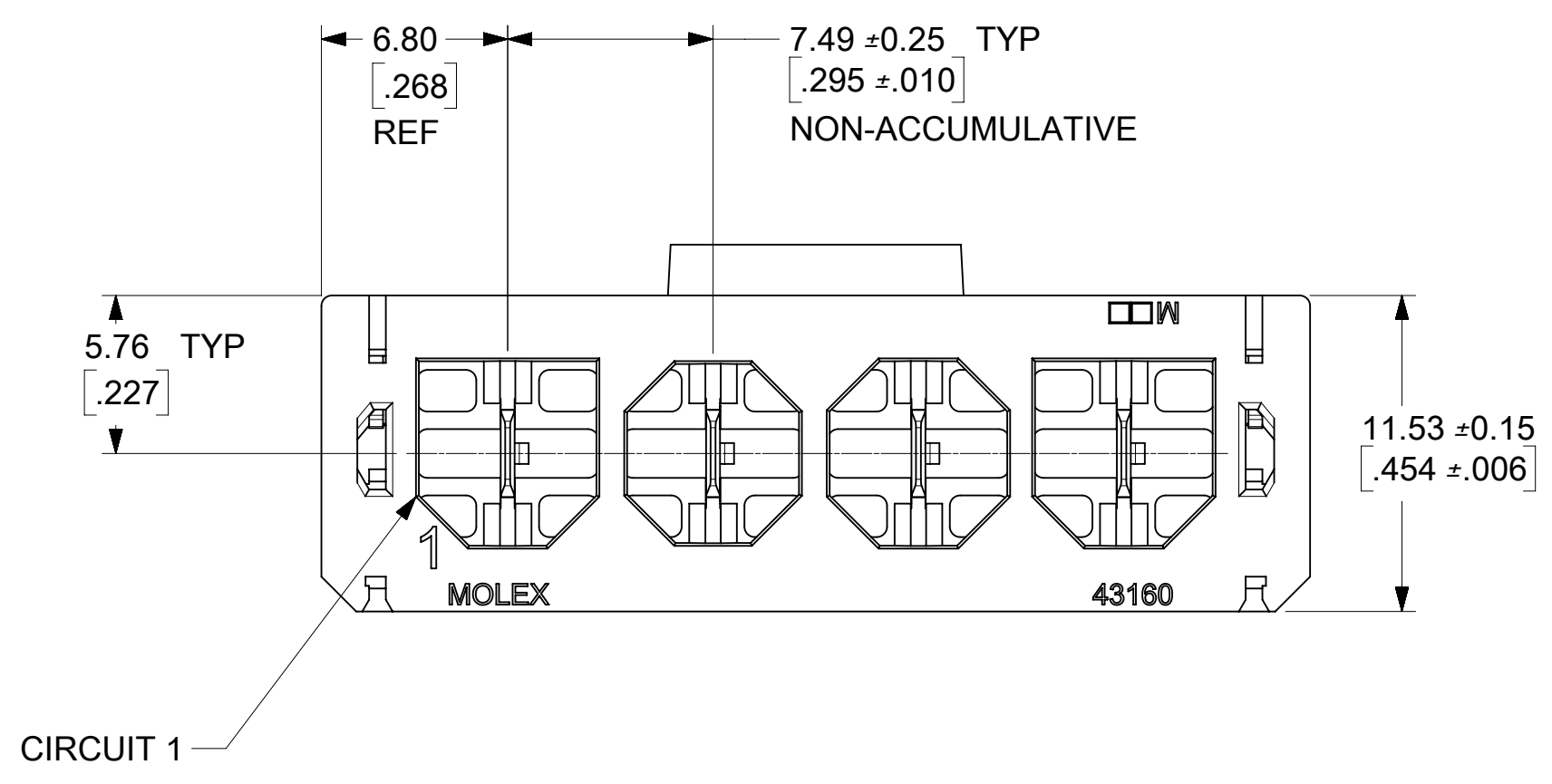
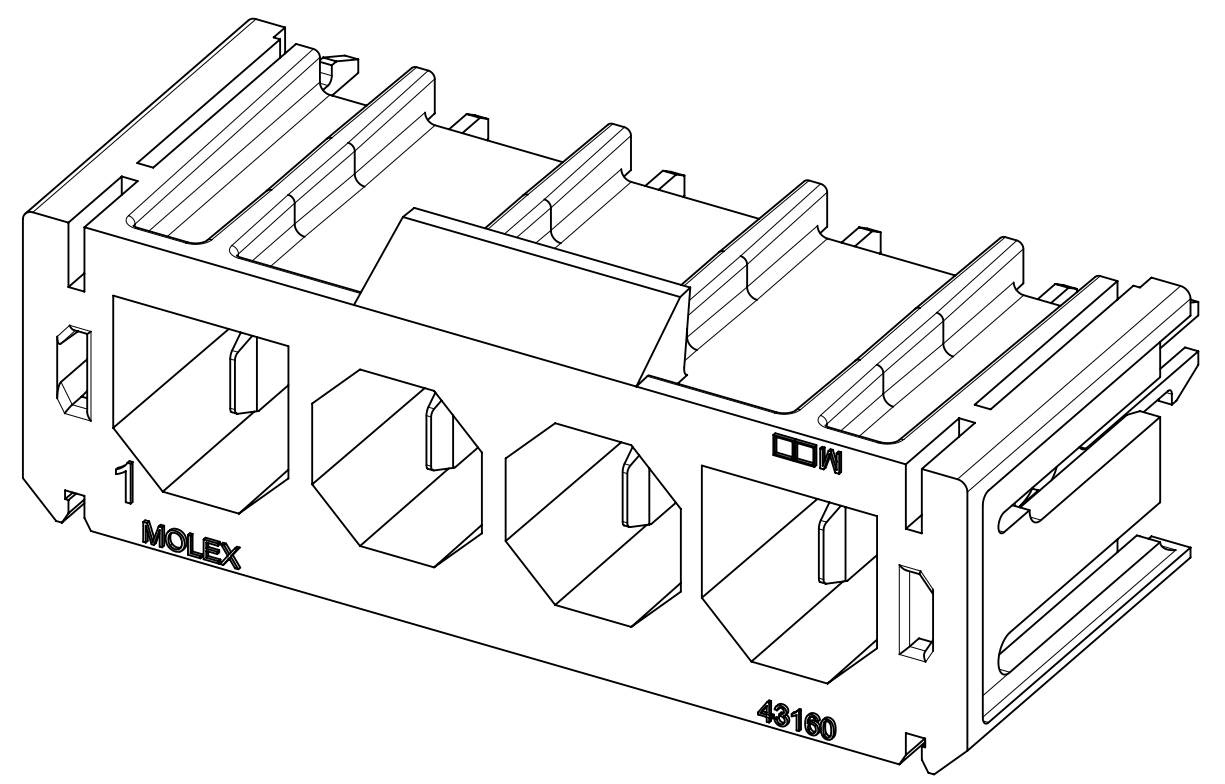
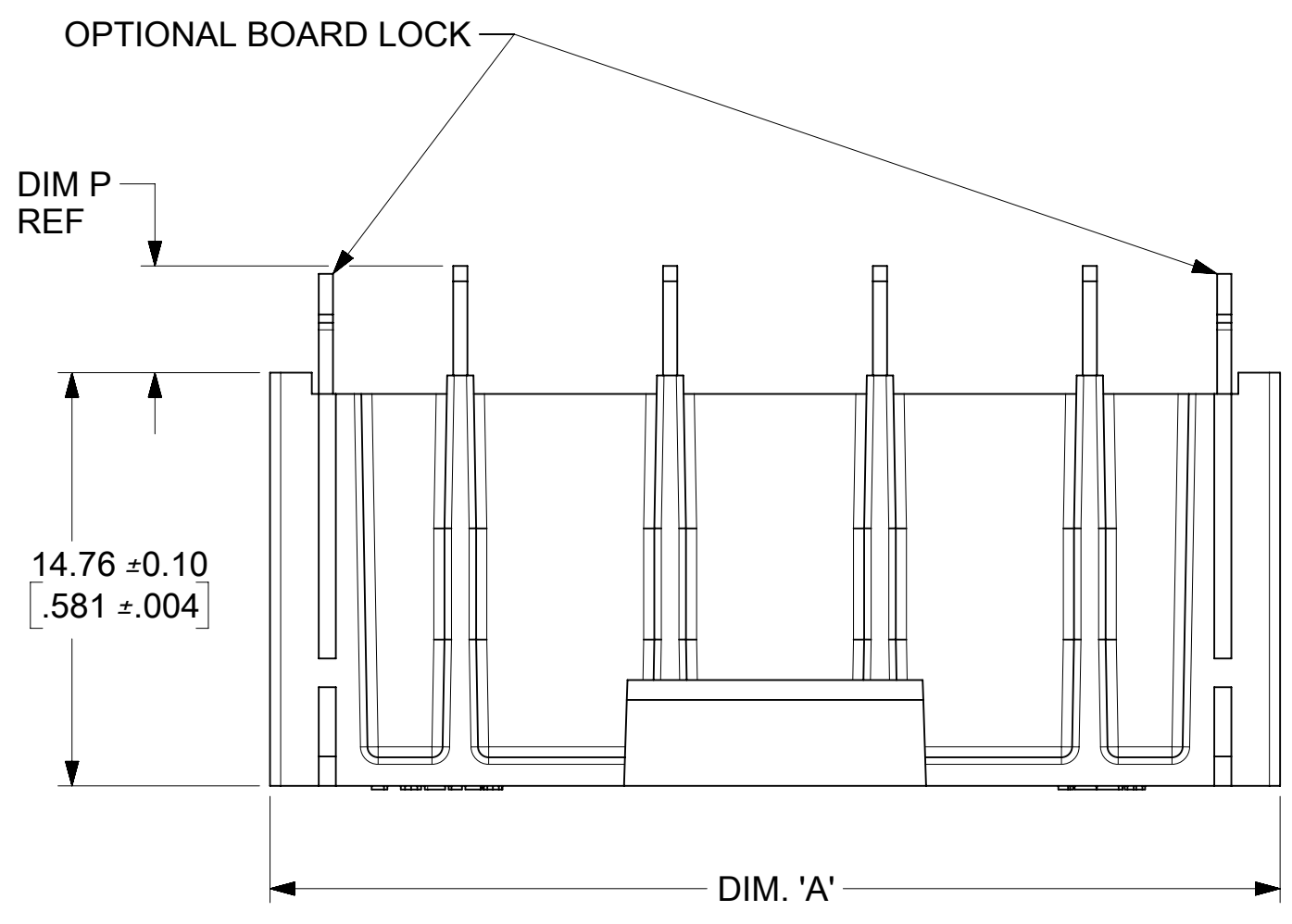


CIRCUITS	DIM. 'A' ±	0.33 .013
2	21.08	.830
3	28.58	1.125
4	36.07	1.420
5	43.56	1.715
6	51.05	2.010
8	66.04	2.600



SHEETS 1 AND 2: VERTICAL HEADERS
 SHEETS 3 AND 4: RIGHT ANGLE HEADERS
 SHEET 5: POLARIZATION

- INSULATOR MATERIAL: 30% GLASS FILLED 4/6 NYLON UL94V-0, COLOR: BLACK
 TERMINAL MATERIAL : BRASS
- TERMINAL FINISH: OVERALL REFLOWED MATTE TIN: 0.00152/.000060 MIN OVER 0.00127/.000050 MIN NICKEL.
- PRODUCT SPECIFICATION PS-44441-9999.
- PACKAGING: SEE CHART
- THIS HEADER MATES WITH 44441 OR 43335 SERIES RECEPTACLE HOUSINGS.
- THIS PART CONFORMS TO CLASS B REQUIREMENTS OF MOLEX COSMETIC SPECIFICATION PS-45499-002
- TEXT ON PART IS FOR REFERENCE ONLY. TEXT AND TEXT LOCATION MAY VARY DEPENDING ON PART NUMBER AND/OR TOOL.
- PART DESIGNED IN INCHES.

SYMBOLS		THIS DRAWING CONTAINS INFORMATION THAT IS PROPRIETARY TO MOLEX ELECTRONIC TECHNOLOGIES, LLC AND SHOULD NOT BE USED WITHOUT WRITTEN PERMISSION		CURRENT REV DESC: RELEASED	
DIMENSION UNITS		SCALE			
▽ = 0	IN/MM	4:1			
▽ = 0	GENERAL TOLERANCES (UNLESS SPECIFIED)				
▽ = 0		MM	INCH		
▽ = 0	4 PLACES ±	±	±	EC NO: 623888	2019/09/06
▽ = 0	3 PLACES ±	± 0.005	±	DRWN: MKIPPER	2019/09/13
▽ = 0	2 PLACES ±	± 0.13	± 0.01	CHK'D: DSTEIER	2019/09/17
▽ = 0	1 PLACE ±	± 0.25	±	APPR: FSMITH	
▽ = 0	0 PLACES ±	±	±	INITIAL REVISION:	
▽ = 0	ANGULAR TOL ± 0.5 °			DRWN: MKIPPER	2019/09/06
▽ = 0	DRAFT WHERE APPLICABLE MUST REMAIN WITHIN DIMENSIONS			APPR: FSMITH	2019/09/17
▽ = 0	THIRD ANGLE PROJECTION	DRAWING	SERIES	MATERIAL NUMBER	CUSTOMER
		C-SIZE	43160	SEE CHARTS	GENERAL MARKET

molex

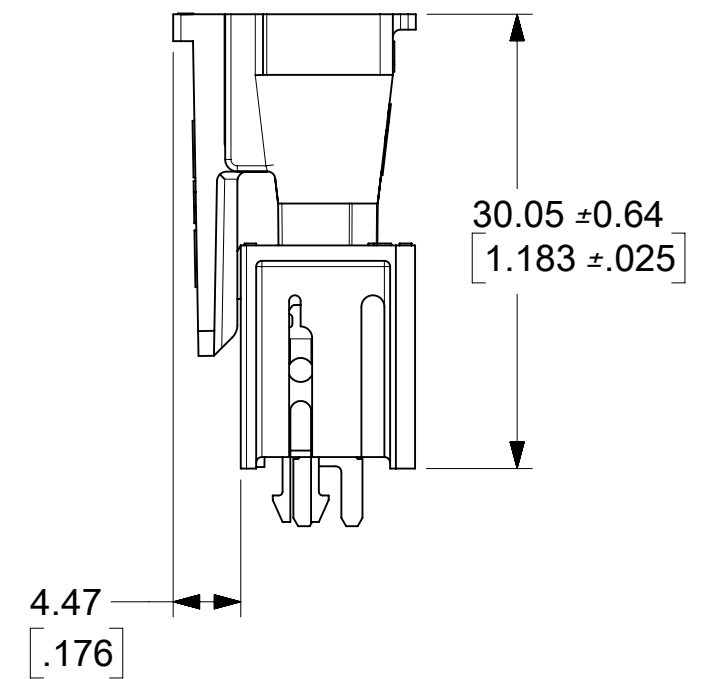
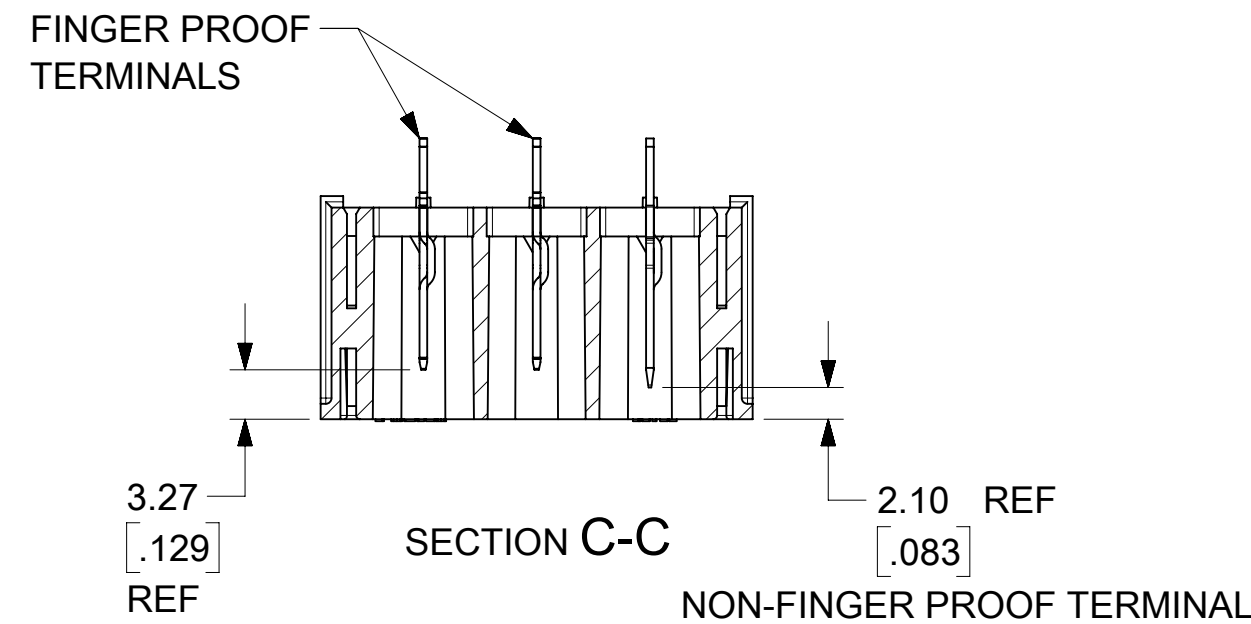
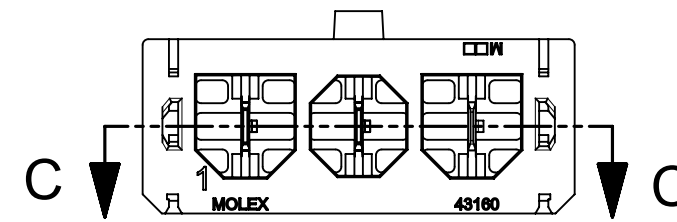
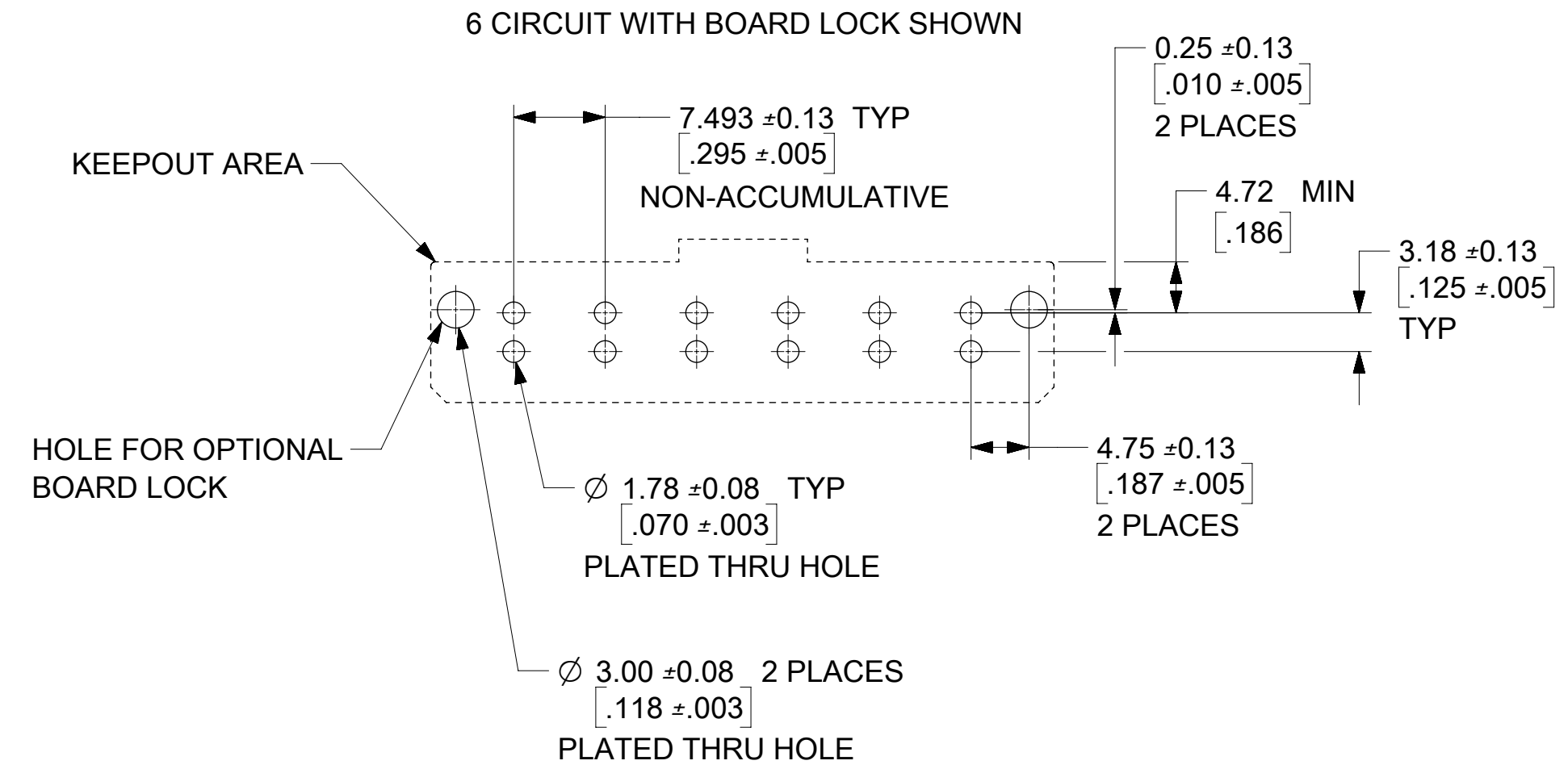
SABRE HEADER ASSEMBLY
 2-6 & 8 CIRCUIT .125/(3.18) X .020/(0.51)

PRODUCT CUSTOMER DRAWING

DOCUMENT NUMBER	DOC TYPE	DOC PART	REVISION
431600001-SD	PSD	000	A
MATERIAL NUMBER	CUSTOMER	SHEET NUMBER	
SEE CHARTS	GENERAL MARKET	1 OF 5	

VERTICAL HEADER ASSEMBLIES					
ASSEMBLY PART NO.	CIRCUITS	DIM. 'P' ± $\frac{0.51}{.020}$	BOARD LOCK	DIM. 'B' ± $\frac{0.10}{.004}$	PACKAGING SPEC.
43160-0102	2	3.81/(.150) (SHORT TAIL)	NO	N/A	PK-43160-0010
43160-0103	3				
43160-0104	4				
43160-0105	5				
43160-0106	6				
43160-0108	8				
43160-0302	2	5.33/(.210) (LONG TAIL)	NO	N/A	PK-43789-001
43160-0303	3				
43160-0304	4				
43160-0305	5				
43160-0306	6				
43160-0308	8				
43160-2102	2	3.81/(.150) (SHORT TAIL)	YES	1.78/(.070) FOR 1.57/(.062) PCB	PK-43789-001
43160-2103	3				
43160-2104	4				
43160-2105	5				
43160-2106	6				
43160-2108	8				
43160-4102	2	3.81/(.150) (SHORT TAIL)	YES	2.59/(.102) FOR 2.39/(.094) PCB	PK-43789-001
43160-4103	3				
43160-4104	4				
43160-4105	5				
43160-4106	6				
43160-4108	8				
43160-4302	2	5.33/(.210) (LONG TAIL)	YES	2.59/(.102) FOR 2.39/(.094) PCB	PK-43789-001
43160-4303	3				
43160-4304	4				
43160-4305	5				
43160-4306	6				
43160-4308	8				
43160-6302	2	5.33/(.210) (LONG TAIL)	YES	3.38/(.133) FOR 3.18/(.125) PCB	PK-43789-001
43160-6303	3				
43160-6304	4				
43160-6305	5				
43160-6306	6				
43160-6308	8				
ASSEMBLY PART NO.	CIRCUITS	DIM. 'P'	BOARD LOCK	DIM. 'B'	PACKAGING SPEC.

RECOMMENDED P.C. BOARD LAYOUT FOR VERTICAL HEADERS



HEADER WITH OPTIONAL FINGER PROOF TERMINAL
43160-9002 SHOWN

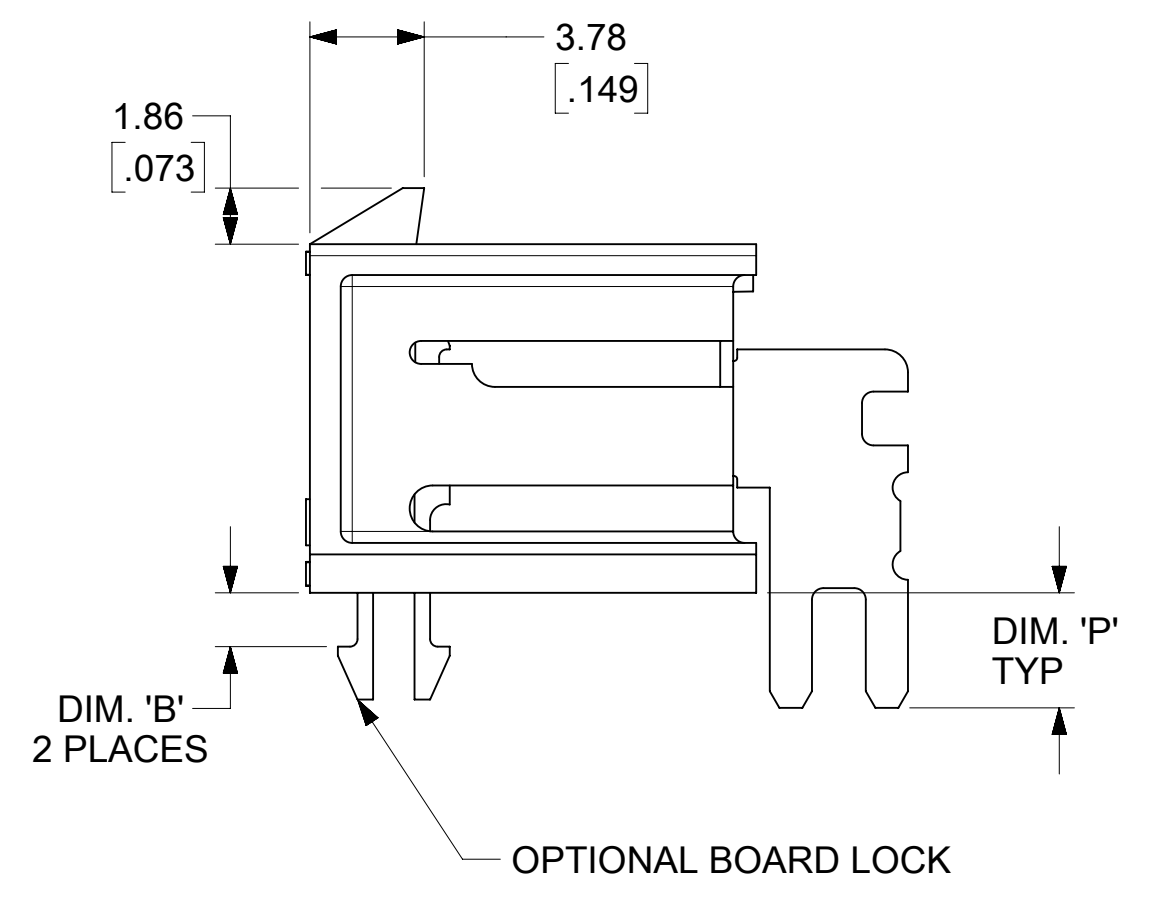
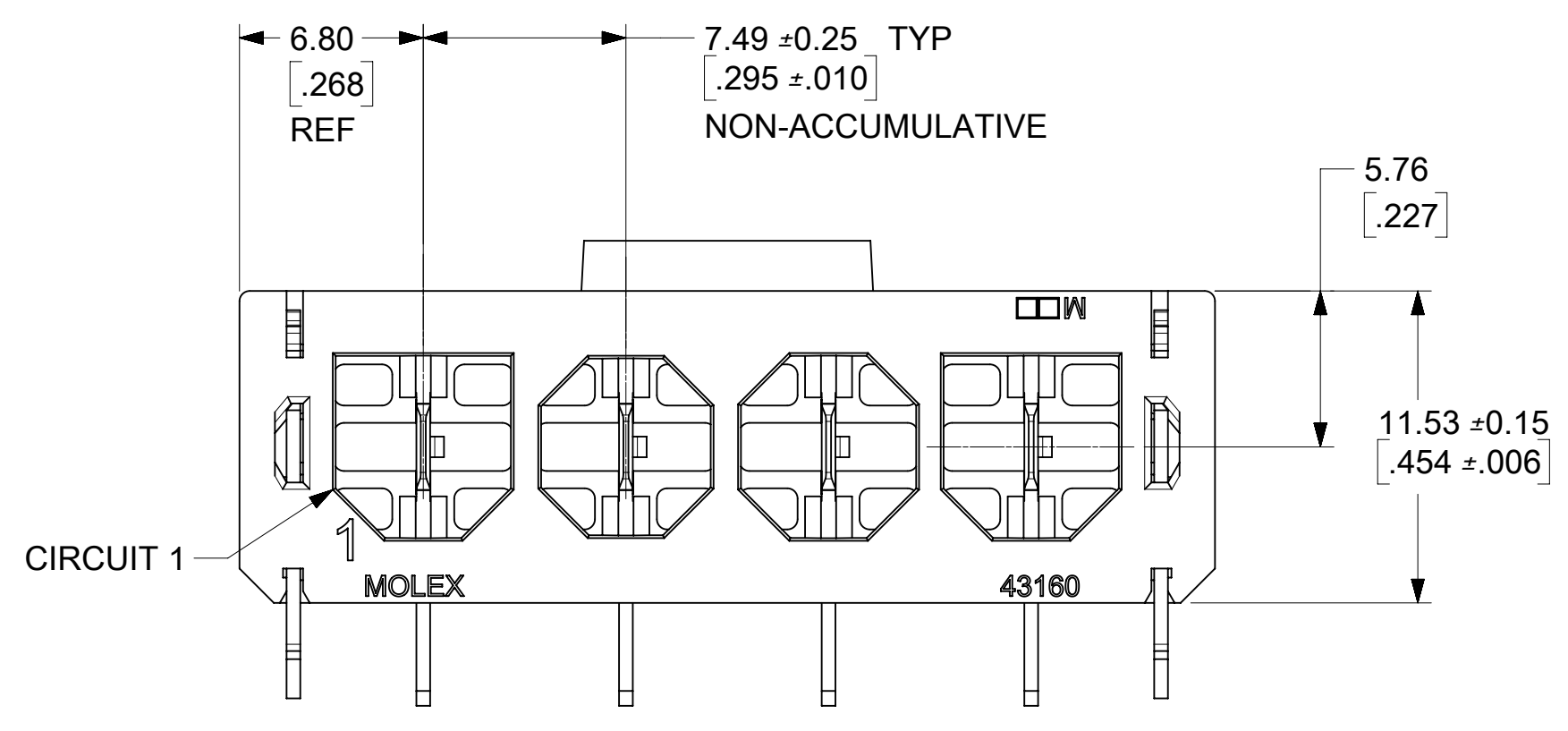
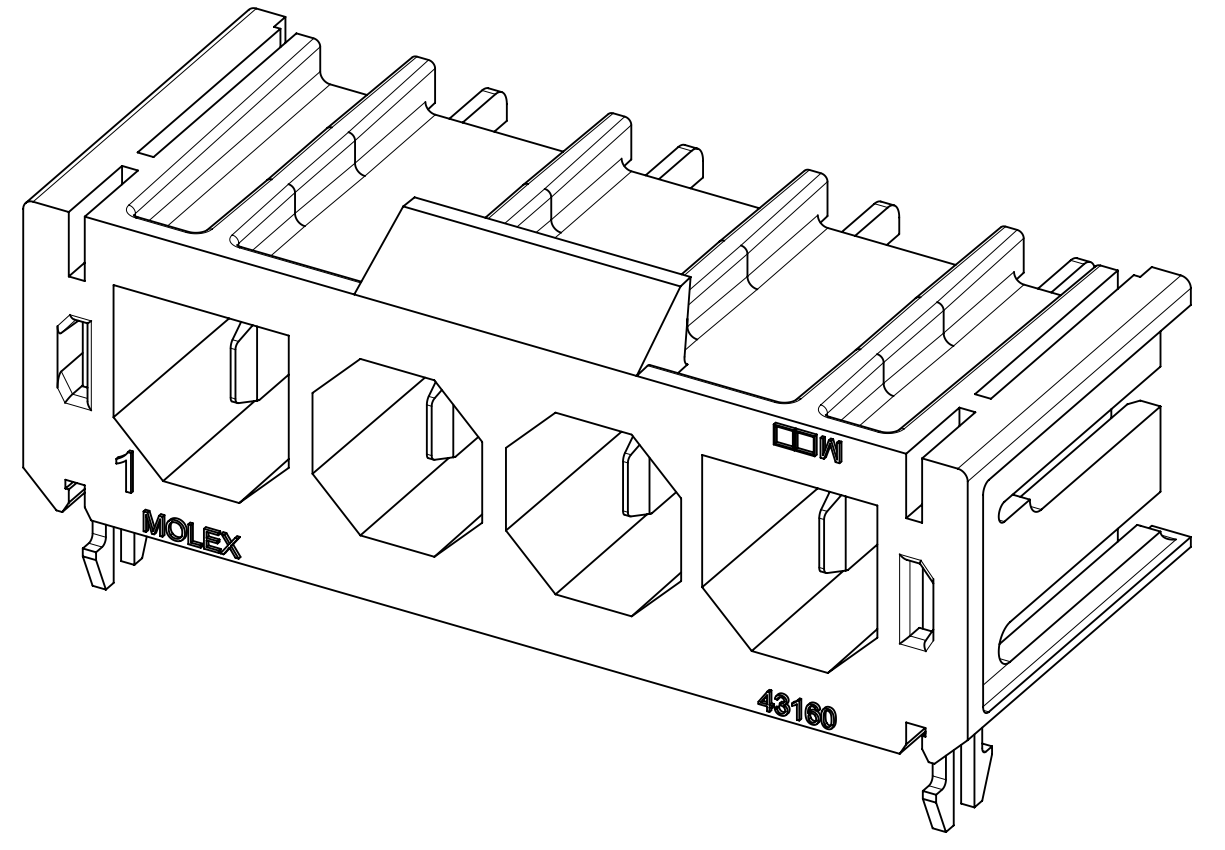
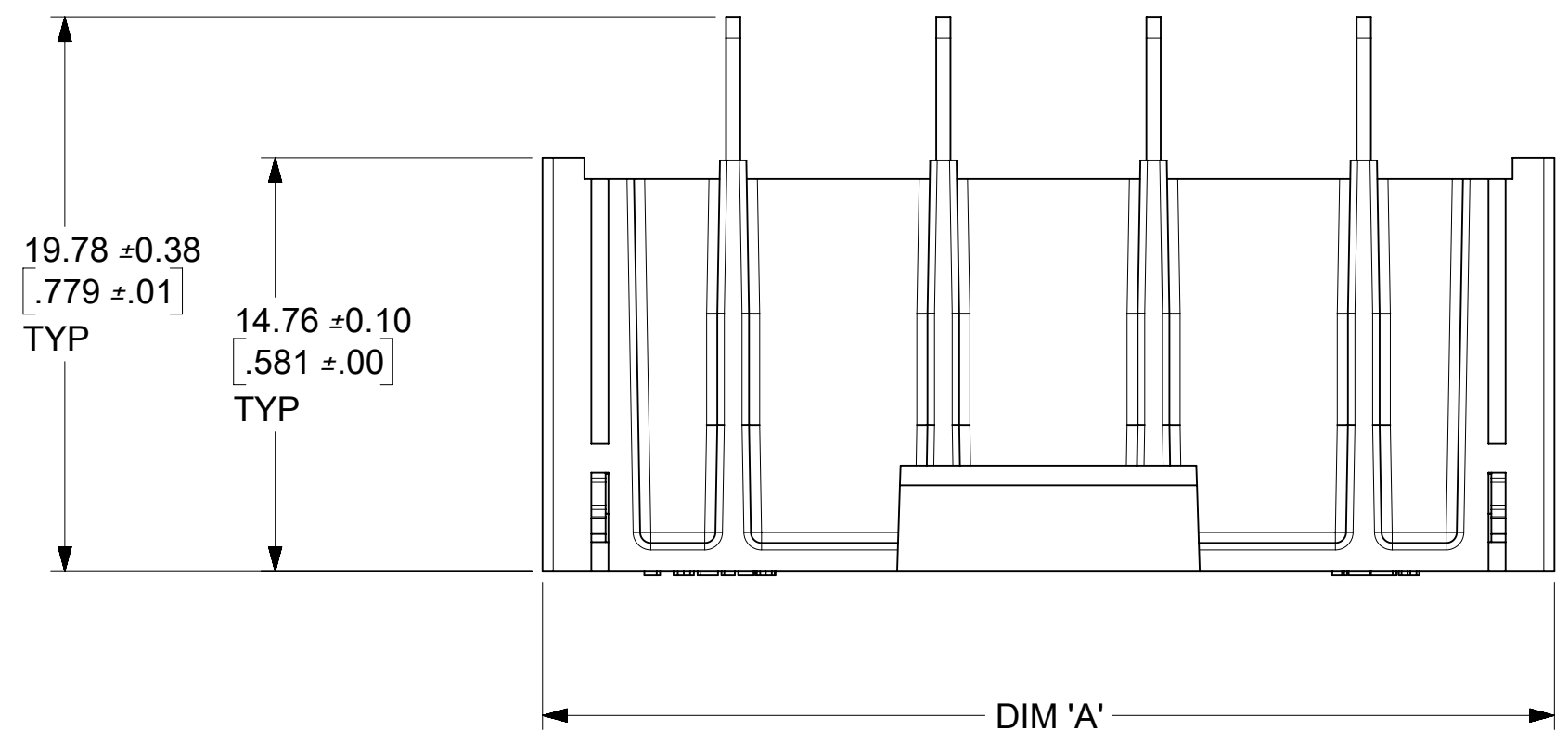
MATED DIMENSIONS VERTICAL HEADERS

FINGER PROOF VERTICAL HEADER ASSEMBLIES

ASSEMBLY PART NO.	CIRCUITS	FINGER PROOF TERMINAL CIRCUIT(S)	DIM. 'P' ± $\frac{0.51}{.020}$	BOARD LOCK	DIM. 'B' ± $\frac{0.10}{.004}$	PACKAGING SPEC.
43160-9002	3	1, 2	3.81/(.150) (SHORT TAIL)	NO	N/A	PK-43160-0010

SYMBOLS						THIS DRAWING CONTAINS INFORMATION THAT IS PROPRIETARY TO MOLEX ELECTRONIC TECHNOLOGIES, LLC AND SHOULD NOT BE USED WITHOUT WRITTEN PERMISSION					
▽ = 0	▽ = 0	▽ = 0	▽ = 0	▽ = 0	▽ = 0	DIMENSION UNITS: IN/MM		SCALE: 2:1		CURRENT REV/DESC: RELEASED	
▽ = 0	▽ = 0	▽ = 0	▽ = 0	▽ = 0	▽ = 0	GENERAL TOLERANCES (UNLESS SPECIFIED)		EC NO: 623888		DRWN: MKIPPER 2019/09/06	
▽ = 0	▽ = 0	▽ = 0	▽ = 0	▽ = 0	▽ = 0	4 PLACES ±	MM	INCH	DRWN: MKIPPER 2019/09/06	SABRE HEADER ASSEMBLY	
▽ = 0	▽ = 0	▽ = 0	▽ = 0	▽ = 0	▽ = 0	3 PLACES ±	± 0.005		CHK'D: DSTEIER 2019/09/13	2-6 & 8 CIRCUIT .125/(3.18) X .020/(0.51)	
▽ = 0	▽ = 0	▽ = 0	▽ = 0	▽ = 0	▽ = 0	2 PLACES ±	± 0.13	± 0.01	APPR: FSMITH 2019/09/17	PRODUCT CUSTOMER DRAWING	
▽ = 0	▽ = 0	▽ = 0	▽ = 0	▽ = 0	▽ = 0	1 PLACE ±	± 0.25	±	INITIAL REVISION:	DOCUMENT NUMBER	
▽ = 0	▽ = 0	▽ = 0	▽ = 0	▽ = 0	▽ = 0	0 PLACES ±	±		DRWN: MKIPPER 2019/09/06	431600001-SD	
▽ = 0	▽ = 0	▽ = 0	▽ = 0	▽ = 0	▽ = 0	ANGULAR TOL ± 0.5°			APPR: FSMITH 2019/09/17	DOC TYPE	DOC PART
▽ = 0	▽ = 0	▽ = 0	▽ = 0	▽ = 0	▽ = 0	DRAFT WHERE APPLICABLE MUST REMAIN WITHIN DIMENSIONS	THIRD ANGLE PROJECTION	DRAWING	SERIES	MATERIAL NUMBER	CUSTOMER
▽ = 0	▽ = 0	▽ = 0	▽ = 0	▽ = 0	▽ = 0			C-SIZE	43160	SEE CHARTS	GENERAL MARKET
▽ = 0	▽ = 0	▽ = 0	▽ = 0	▽ = 0	▽ = 0						SHEET NUMBER
▽ = 0	▽ = 0	▽ = 0	▽ = 0	▽ = 0	▽ = 0						2 OF 5

CIRCUITS	DIM. 'A' ±	0.33 .013
2	21.08 .830	
3	28.58 1.125	
4	36.07 1.420	
5	43.56 1.715	
6	51.05 2.010	
8	66.04 2.600	

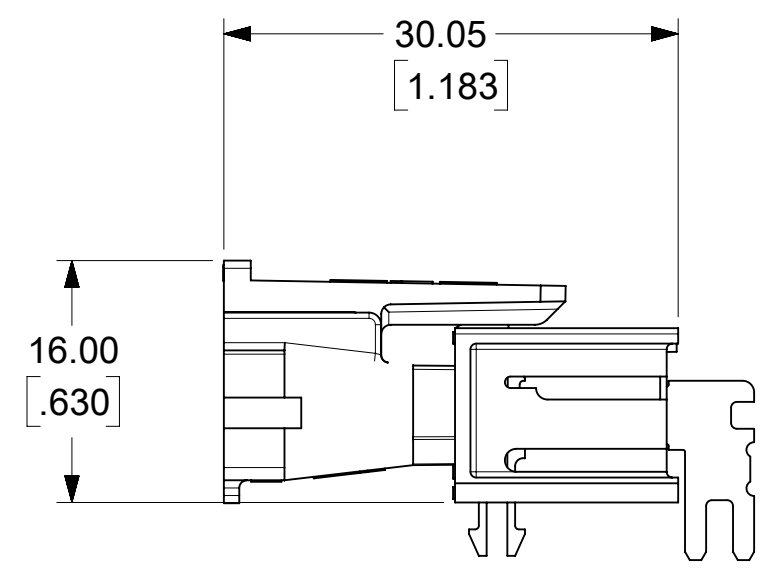
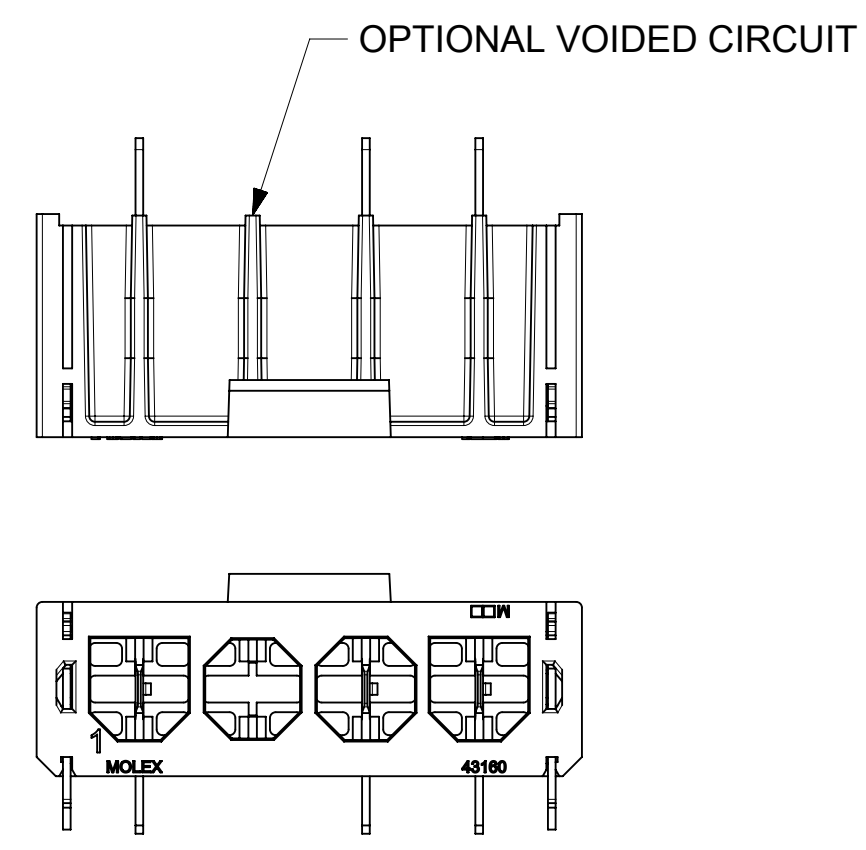
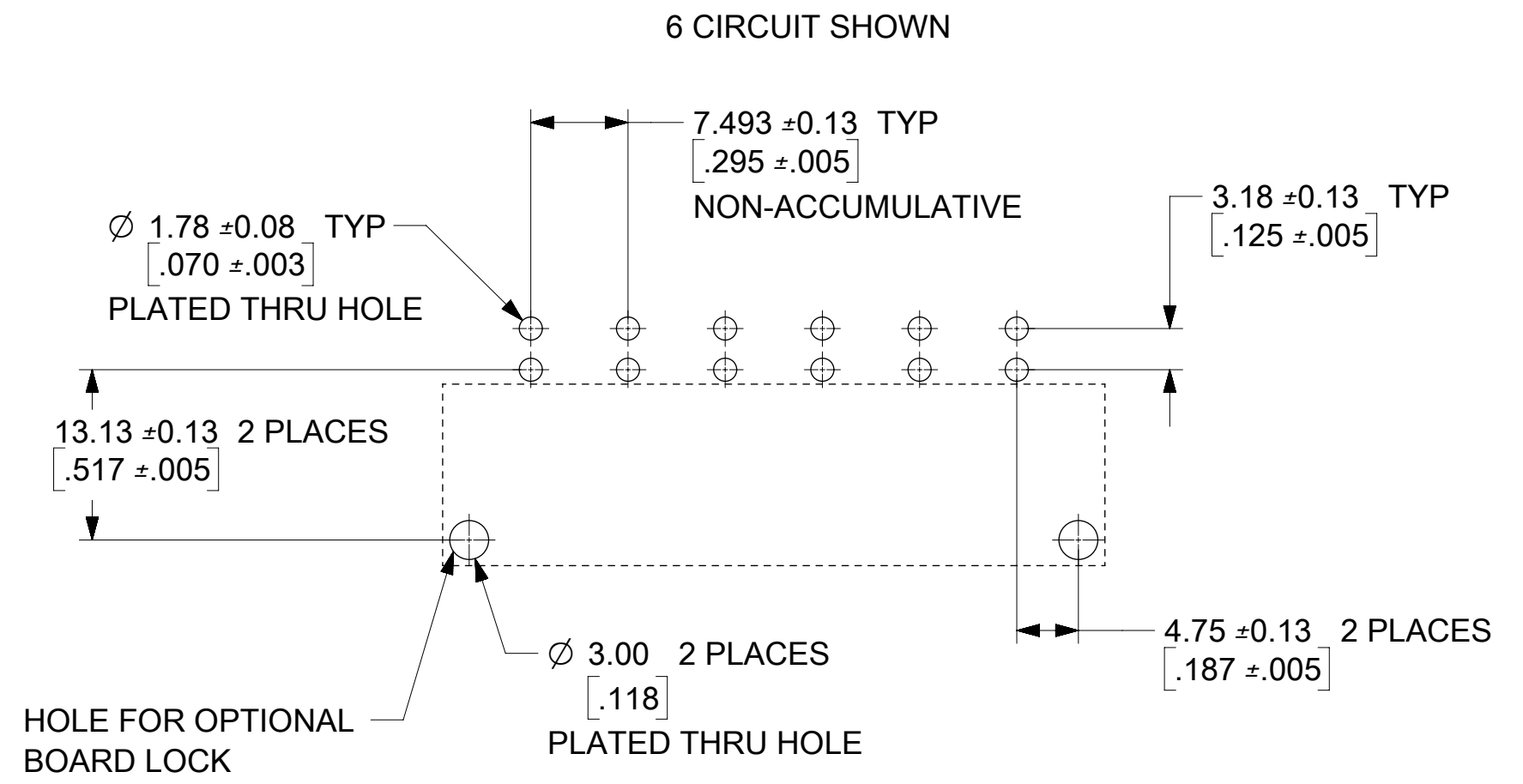


SYMBOLS										THIS DRAWING CONTAINS INFORMATION THAT IS PROPRIETARY TO MOLEX ELECTRONIC TECHNOLOGIES, LLC AND SHOULD NOT BE USED WITHOUT WRITTEN PERMISSION											
∇ = 0	∇ = 0	∇ = 0	∇ = 0	∇ = 0	∇ = 0	∇ = 0	∇ = 0	∇ = 0	∇ = 0	IN/MM	SCALE	CURRENT REV DESC: RELEASED								molex	
∇ = 0	∇ = 0	∇ = 0	∇ = 0	∇ = 0	∇ = 0	∇ = 0	∇ = 0	∇ = 0	∇ = 0	GENERAL TOLERANCES (UNLESS SPECIFIED)	4:1	EC NO: 623888		2019/09/06		SABRE HEADER ASSEMBLY					
∇ = 0	∇ = 0	∇ = 0	∇ = 0	∇ = 0	∇ = 0	∇ = 0	∇ = 0	∇ = 0	∇ = 0	4 PLACES ±	MM	INCH	DRWN: MKIPPER		2019/09/06		2-6 & 8 CIRCUIT .125/(3.18) X .020/(0.51)				
∇ = 0	∇ = 0	∇ = 0	∇ = 0	∇ = 0	∇ = 0	∇ = 0	∇ = 0	∇ = 0	∇ = 0	3 PLACES ±			CHK'D: DSTEIER		2019/09/13		PRODUCT CUSTOMER DRAWING				
∇ = 0	∇ = 0	∇ = 0	∇ = 0	∇ = 0	∇ = 0	∇ = 0	∇ = 0	∇ = 0	∇ = 0	2 PLACES ±	0.13	0.01	APPR: FSMITH		2019/09/17		DOCUMENT NUMBER				
∇ = 0	∇ = 0	∇ = 0	∇ = 0	∇ = 0	∇ = 0	∇ = 0	∇ = 0	∇ = 0	∇ = 0	1 PLACE ±	0.25		INITIAL REVISION:				DOC TYPE				
∇ = 0	∇ = 0	∇ = 0	∇ = 0	∇ = 0	∇ = 0	∇ = 0	∇ = 0	∇ = 0	∇ = 0	0 PLACES ±			DRWN: MKIPPER		2019/09/06		DOC PART				
∇ = 0	∇ = 0	∇ = 0	∇ = 0	∇ = 0	∇ = 0	∇ = 0	∇ = 0	∇ = 0	∇ = 0	ANGULAR TOL ±	0.5 °		APPR: FSMITH		2019/09/17		REVISION				
∇ = 0	∇ = 0	∇ = 0	∇ = 0	∇ = 0	∇ = 0	∇ = 0	∇ = 0	∇ = 0	∇ = 0	DRAFT WHERE APPLICABLE MUST REMAIN WITHIN DIMENSIONS			THIRD ANGLE PROJECTION		DRAWING		SERIES				
∇ = 0	∇ = 0	∇ = 0	∇ = 0	∇ = 0	∇ = 0	∇ = 0	∇ = 0	∇ = 0	∇ = 0				C-SIZE		43160		MATERIAL NUMBER				
													SEE CHARTS		GENERAL MARKET		CUSTOMER				
																	SHEET NUMBER				
													3 OF 5								

DOCUMENT STATUS	P1	RELEASE DATE	2019/09/17	14:17:52
-----------------	----	--------------	------------	----------

RIGHT ANGLE HEADER ASSEMBLIES					
ASSEMBLY PART NO.	CIRCUITS	DIM. 'P' ± $\frac{0.28}{.011}$	BOARD LOCK	DIM. 'B' ± $\frac{0.10}{.004}$	PACKAGING SPEC.
43160-1102	2	3.81/(.150) (SHORT TAIL)	NO	N/A	PK-43160-0010
43160-1103	3				
43160-1104	4				
43160-1105	5				
43160-1106	6				
43160-1108	8				
43160-1302	2	5.33/(.210) (LONG TAIL)	NO	N/A	PK-43789-001
43160-1303	3				
43160-1304	4				
43160-1305	5				
43160-1306	6				
43160-1308	8				
43160-3102	2	3.81/(.150) (SHORT TAIL)	YES	1.78/(.070) FOR 1.57/(.062) PCB	PK-43789-001
43160-3103	3				
43160-3104	4				
43160-3105	5				
43160-3106	6				
43160-3108	8				
43160-5102	2	3.81/(.150) (SHORT TAIL)	YES	2.59/(.102) FOR 2.39/(.094) PCB	PK-43789-001
43160-5103	3				
43160-5104	4				
43160-5105	5				
43160-5106	6				
43160-5108	8				
43160-5302	2	5.33/(.210) (LONG TAIL)	YES	2.59/(.102) FOR 2.39/(.094) PCB	PK-43789-001
43160-5303	3				
43160-5304	4				
43160-5305	5				
43160-5306	6				
43160-5308	8				
43160-7302	2	5.33/(.210) (LONG TAIL)	YES	3.38/(.133) FOR 3.18/(.125) PCB	PK-43789-001
43160-7303	3				
43160-7304	4				
43160-7305	5				
43160-7306	6				
43160-7308	8				
ASSEMBLY PART NO.	CIRCUITS	DIM. 'P'	BOARD LOCK	DIM. 'B'	PACKAGING SPEC.

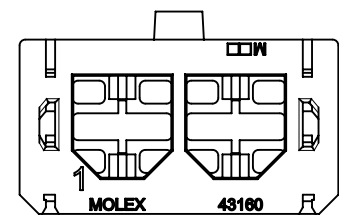
RECOMMENDED P.C. BOARD LAYOUT FOR RIGHT ANGLE HEADERS



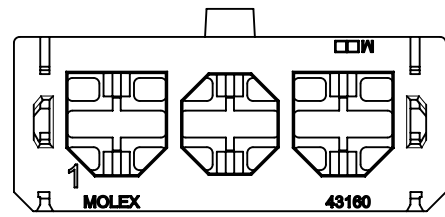
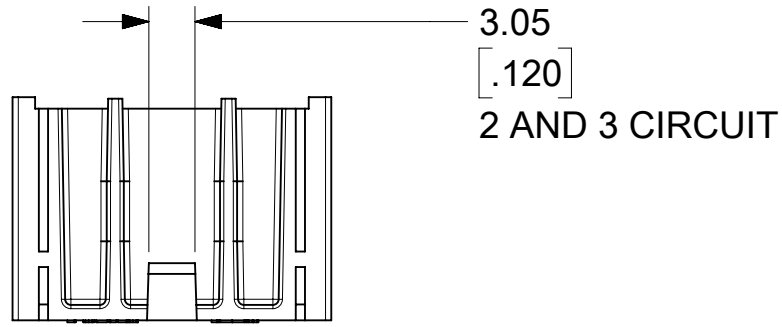
MATED DIMENSIONS RIGHT ANGLE HEADERS

RIGHT ANGLE HEADER ASSEMBLIES WITH VOIDED TERMINALS						
ASSEMBLY PART NO.	CIRCUITS	DIM. 'P' ± $\frac{0.28}{.011}$	BOARD LOCK	DIM. 'B' ± $\frac{0.10}{.004}$	PACKAGING SPEC.	VOID CIRCUIT(S)
43160-9001	4	3.81/(.150)	YES	1.78/(.070) FOR 1.57/(.062) PCB	PK-43789-001	2
43160-9003	5	(SHORT TAIL)				2, 4

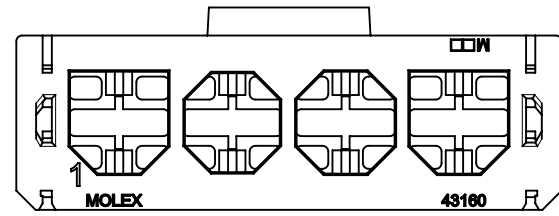
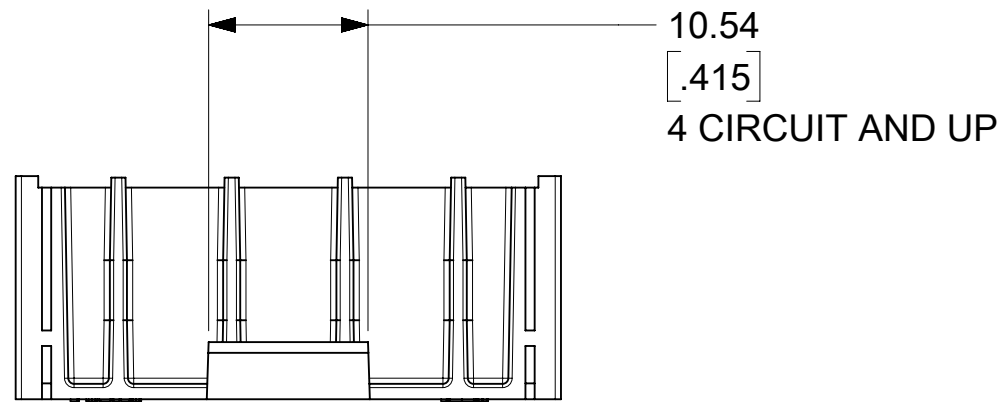
SYMBOLS	THIS DRAWING CONTAINS INFORMATION THAT IS PROPRIETARY TO MOLEX ELECTRONIC TECHNOLOGIES, LLC AND SHOULD NOT BE USED WITHOUT WRITTEN PERMISSION				
	DIMENSION UNITS	SCALE	CURRENT REV/DESC: RELEASED		
▽ = 0	IN/MM	2:1	EC NO: 623888 DRWN: MKIPPER 2019/09/06 CHK'D: DSTIEIR 2019/09/13 APPR: FSMITH 2019/09/17		
▽ = 0	GENERAL TOLERANCES (UNLESS SPECIFIED)				
▽ = 0		MM	INCH	INITIAL REVISION: DRWN: MKIPPER 2019/09/06 APPR: FSMITH 2019/09/17	
▽ = 0	4 PLACES ±	±	±		
▽ = 0	3 PLACES ±	±	± 0.005	PRODUCT CUSTOMER DRAWING	
▽ = 0	2 PLACES ±	± 0.13	± 0.01		
▽ = 0	1 PLACE ±	± 0.25	±	DOCUMENT NUMBER	
▽ = 0	0 PLACES ±	±	±		
▽ = 0	ANGULAR TOL ± 0.5°	DRAFT WHERE APPLICABLE MUST REMAIN WITHIN DIMENSIONS		SERIES	
▽ = 0	THIRD ANGLE PROJECTION		DRAWING	MATERIAL NUMBER	
			C-SIZE	43160	CUSTOMER
					SEE CHARTS
					GENERAL MARKET
					SHEET NUMBER
					4 OF 5



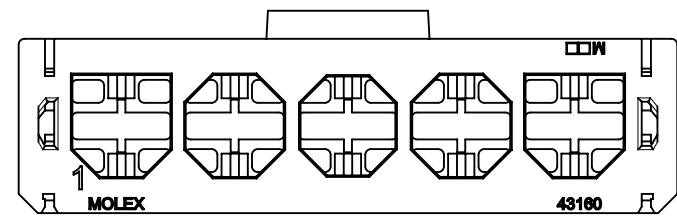
2 CIRCUITS



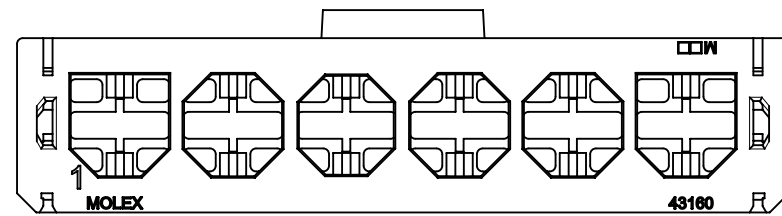
3 CIRCUITS



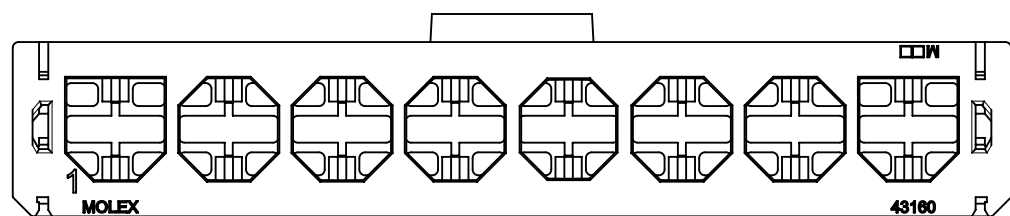
4 CIRCUITS



5 CIRCUITS



6 CIRCUITS



8 CIRCUITS

POLARIZATION

SYMBOLS	THIS DRAWING CONTAINS INFORMATION THAT IS PROPRIETARY TO MOLEX ELECTRONIC TECHNOLOGIES, LLC AND SHOULD NOT BE USED WITHOUT WRITTEN PERMISSION				
	DIMENSION UNITS	SCALE		CURRENT REV DESC: RELEASED	
▽ = 0	MM/INCH	2:1		<p>molex</p> <p>SABRE HEADER ASSEMBLY 2-6 & 8 CIRCUIT .125/(3.18) X .020/(0.51)</p> <p>PRODUCT CUSTOMER DRAWING</p>	
▽ = 0	GENERAL TOLERANCES (UNLESS SPECIFIED)				
▽ = 0		MM	INCH		
▽ = 0	4 PLACES	±	±		
▽ = 0	3 PLACES	±	± 0.005	EC NO: 623888	2019/09/06
▽ = 0	2 PLACES	± 0.13	± 0.01	DRWN: MKIPPER	2019/09/13
▽ = 0	1 PLACE	± 0.25	±	CHK'D: DSTEIER	2019/09/17
▽ = 0	0 PLACES	±	±	APPR: FSMITH	
▽ = 0	ANGULAR TOL	± 0.5 °		INITIAL REVISION:	
▽ = 0	DRAFT WHERE APPLICABLE MUST REMAIN WITHIN DIMENSIONS		THIRD ANGLE PROJECTION	DRWN: MKIPPER	2019/09/06
▽ = 0				APPR: FSMITH	2019/09/17
			DRAWING	SERIES	
			C-SIZE	43160	
				MATERIAL NUMBER	CUSTOMER
				SEE CHARTS	GENERAL MARKET
				DOCUMENT NUMBER	DOC TYPE DOC PART REVISION
				431600001-SD	PSD 000 A
					SHEET NUMBER
					5 OF 5

Mouser Electronics

Authorized Distributor

Click to View Pricing, Inventory, Delivery & Lifecycle Information:

Molex:

[43160-5103](#) [43160-5104](#)