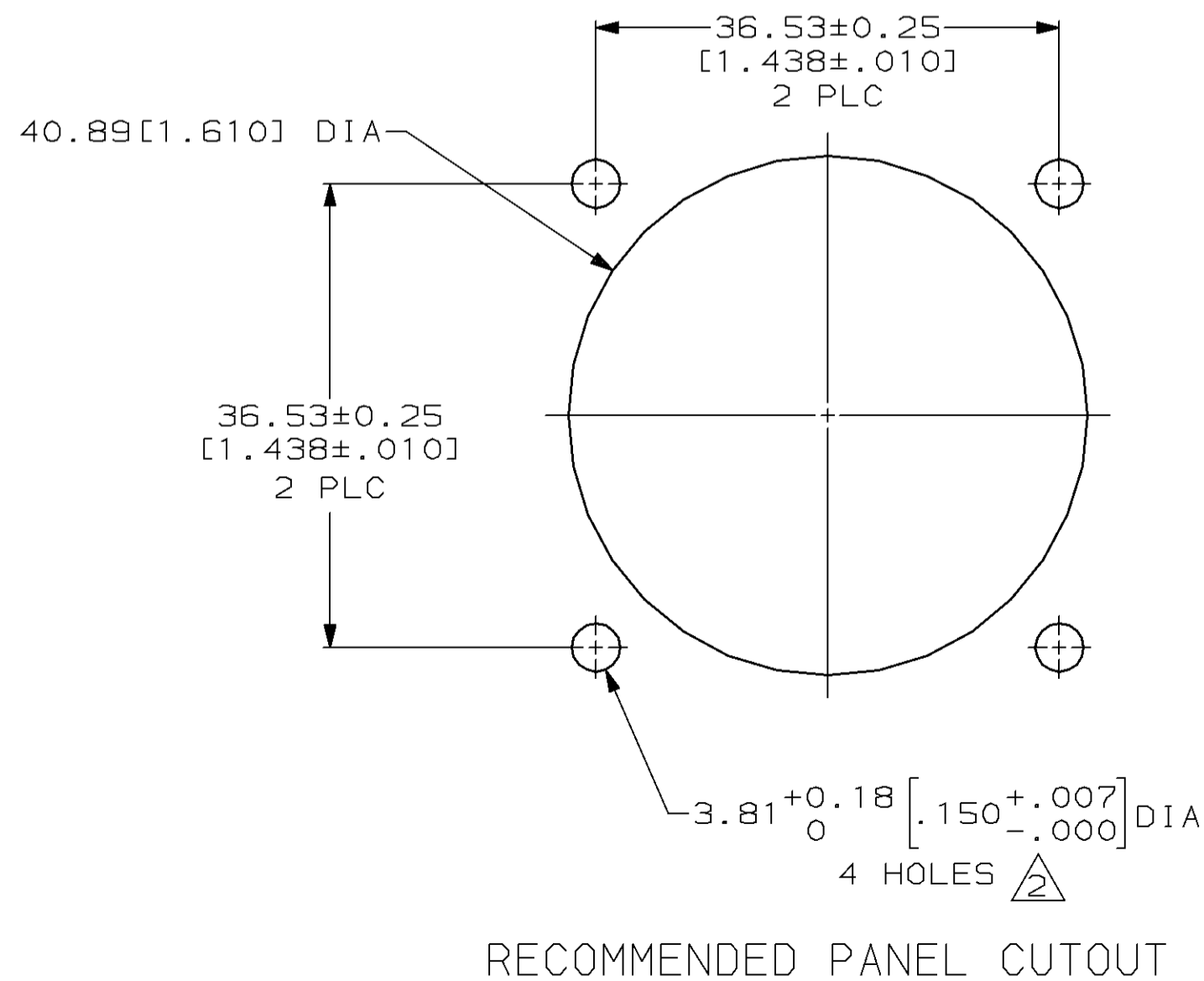
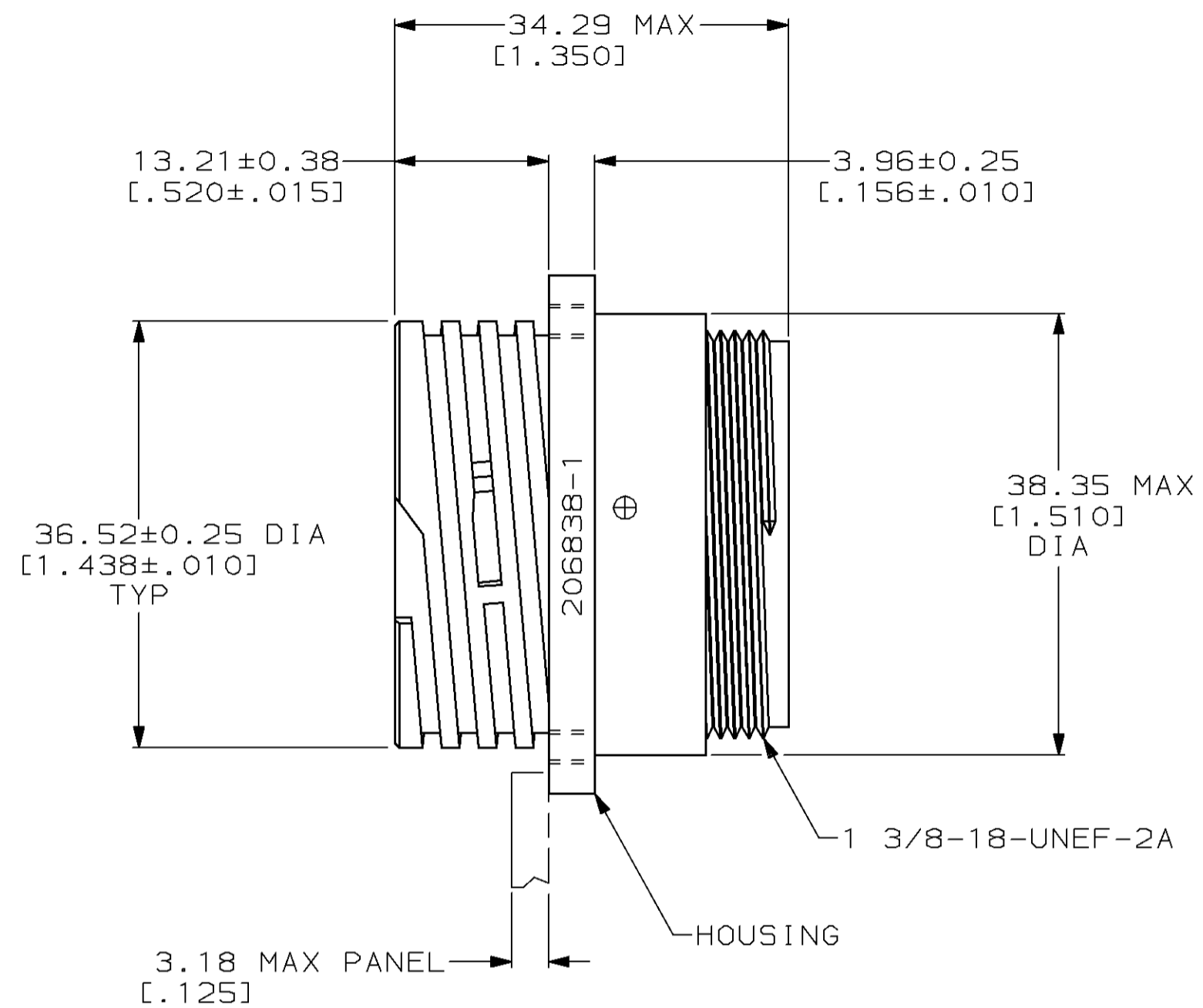
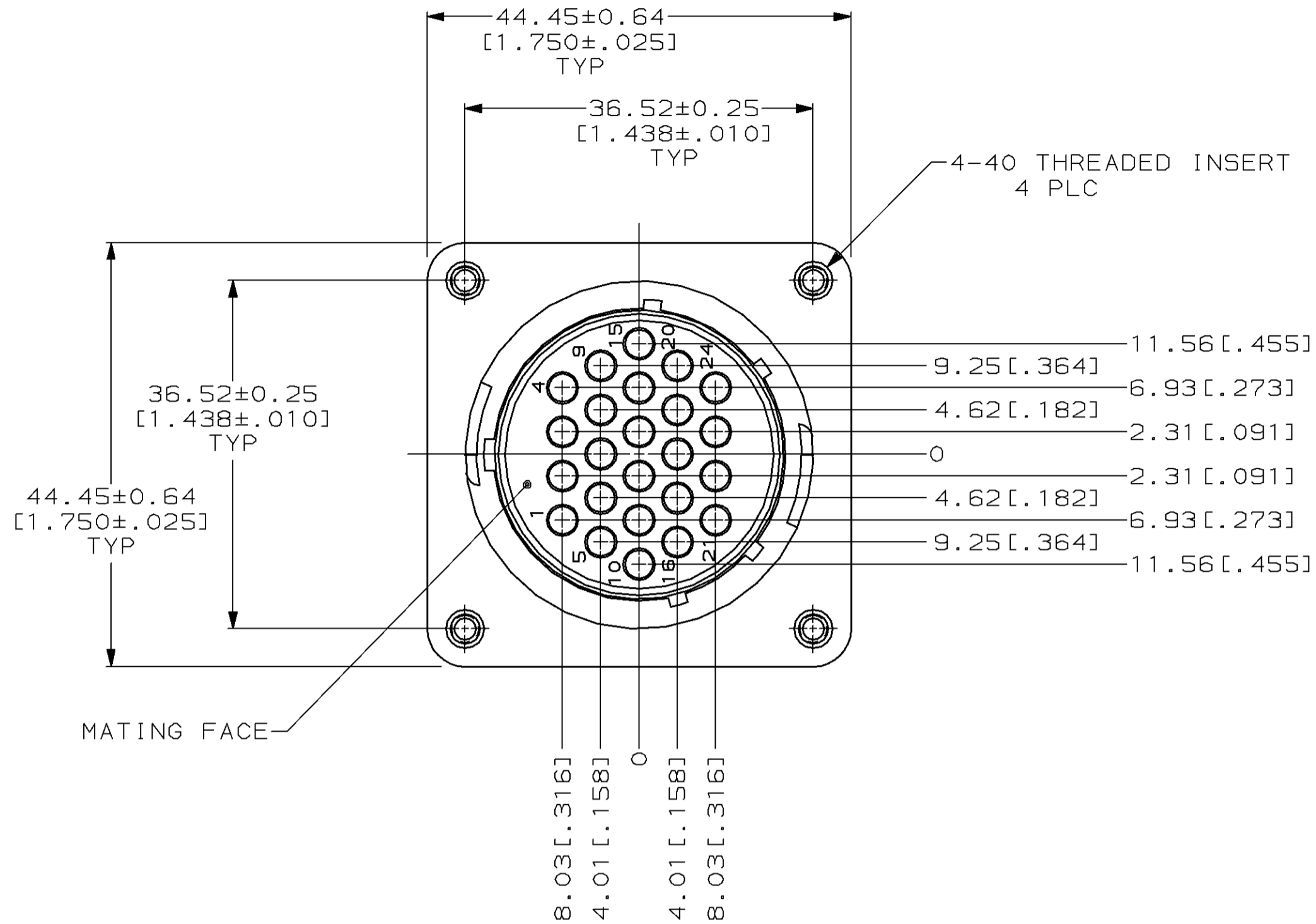


THIS DRAWING IS UNPUBLISHED. RELEASED FOR PUBLICATION  
 BY AMP INCORPORATED. ALL RIGHTS RESERVED.

Loc	Dist	REVISIONS				
P	LTR	DESCRIPTION	DATE	DWN	APVD	
BD	35	B	REDRAWN WITHOUT CHANGE AND REACTIVATED -1 PER EC 0020-69-96	01 FEB 96	-	-



- ① HOUSING: NYLON, BLACK. INSERT: BRASS.
- ② NUMBER 4 FASTENER RECOMMENDED FOR MOUNTING.
- 3. CAVITY IDENTIFICATION ON FRONT AND REAR FACE.
- 4. WILL ACCEPT (24) MULTIMATE PIN CONTACTS.
- 5. MAXIMUM INSULATION NOT TO EXCEED 3.43 [.135] DIA.

211839-1  
 PART NUMBER

THIS DRAWING IS A CONTROLLED DOCUMENT FOR AMP INCORPORATED. IT IS SUBJECT TO CHANGE AND THE CONTROLLING ENGINEERING ORGANIZATION SHOULD BE CONTACTED FOR THE LATEST REVISION.		DWN D.HARDY 01 FEB 96	AMP Incorporated Harrisburg, PA 17105-3608
DIMENSIONS: mm [INCHES]		CHK R.STONE 02 FEB 96	
TOLERANCES UNLESS OTHERWISE SPECIFIED:		APVD A.FRANTUM 02 FEB 96	NAME RECEPTACLE ASSEMBLY, WITH THREADED INSERTS, SHELL SIZE 23, STANDARD SEX, CPC
0 PLC ±-		PRODUCT SPEC 108-10024	SIZE A2
1 PLC ±-		APPLICATION SPEC 114-10038	CAGE CODE 00779
2 PLC ±0.13 [.005]		WEIGHT -	DRAWING NO C-211839
3 PLC ±-		CUSTOMER DRAWING	SCALE 2:1
4 PLC ±-			SHEET 1 OF 1
ANGLES ±-			REV B
FINISH -			

211839

# Mouser Electronics

Authorized Distributor

Click to View Pricing, Inventory, Delivery & Lifecycle Information:

[TE Connectivity:](#)

[211839-1](#)