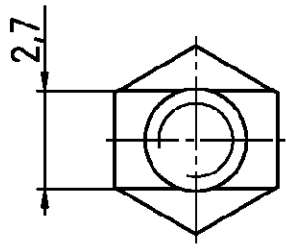
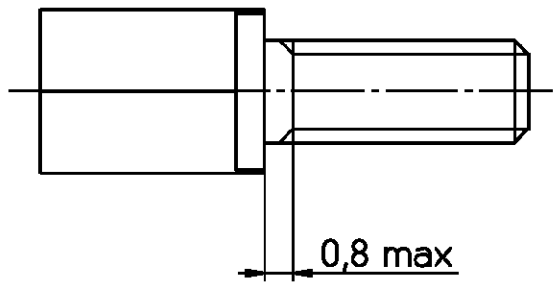
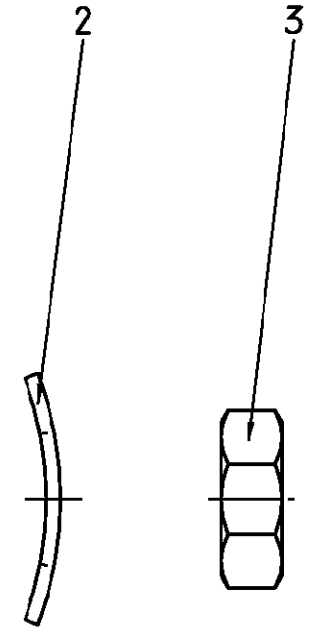
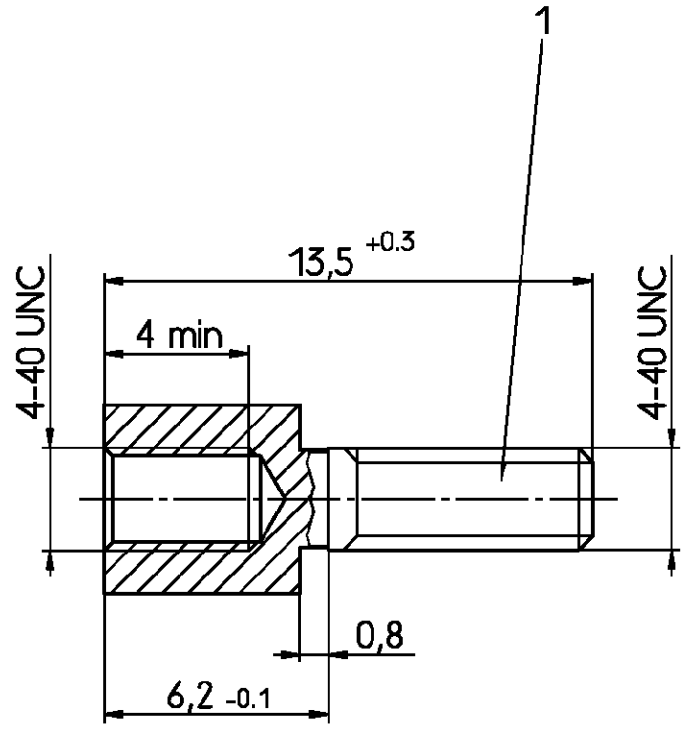


THIS INFORMATION IS CONFIDENTIAL AND PROPRIETARY TO TYCO ELECTRONICS CORPORATION AND ITS WORLDWID SUBSIDIARIES AND AFFILIATES. IT MAY NOT BE DISCLOSED TO ANYONE, OTHER THAN TYCO ELECTRONICS PERSONEL, WITHOUT WRITTEN AUTHORIZATION FROM TYCO ELECTRONICS CORPORATION, HARRISBURG, PENNSYLVANIA USA.

PROPRIETARY



Sechskant SW 4,5



Aktuelles Sachnummern.
Kontaktieren Sie Tyco Electronics
für Weitere Varianten

Altes Sachnummer	Tyco Sachnummer
V42254-A152-V1	2-1393560-7
V42254-A152-V2	2-1393560-8

tyco TYCO ELECTRONICS CORPORATION		SCALE 5:1		WEIGHT	
Electronics OOSTKAMP - BELGIUM		DIMENSIONS IN MM		MATERIAL	
DATE 29.09.88		PART NAME		Bolzensatz	
NAME De Petter		PART NO.		V42254-A152-V1-* -27	
DEP. PD Com		TOLERANCE UNLESS SPECIFIED OTHERWISE		SHT. 1-	
A WO 01/7022 19.12.00 VS		Customer Drawing Nr. C 2-1393560-7		OF 1	
03	WO 92/030 07.11.91 RST				
02	WB 89/188 05.07.89 VH				
01	07.10.88 DPI				
REV.	CHANGE ORDER	DATE	APP.		

Mouser Electronics

Authorized Distributor

Click to View Pricing, Inventory, Delivery & Lifecycle Information:

[TE Connectivity:](#)

[2-1393560-7](#)