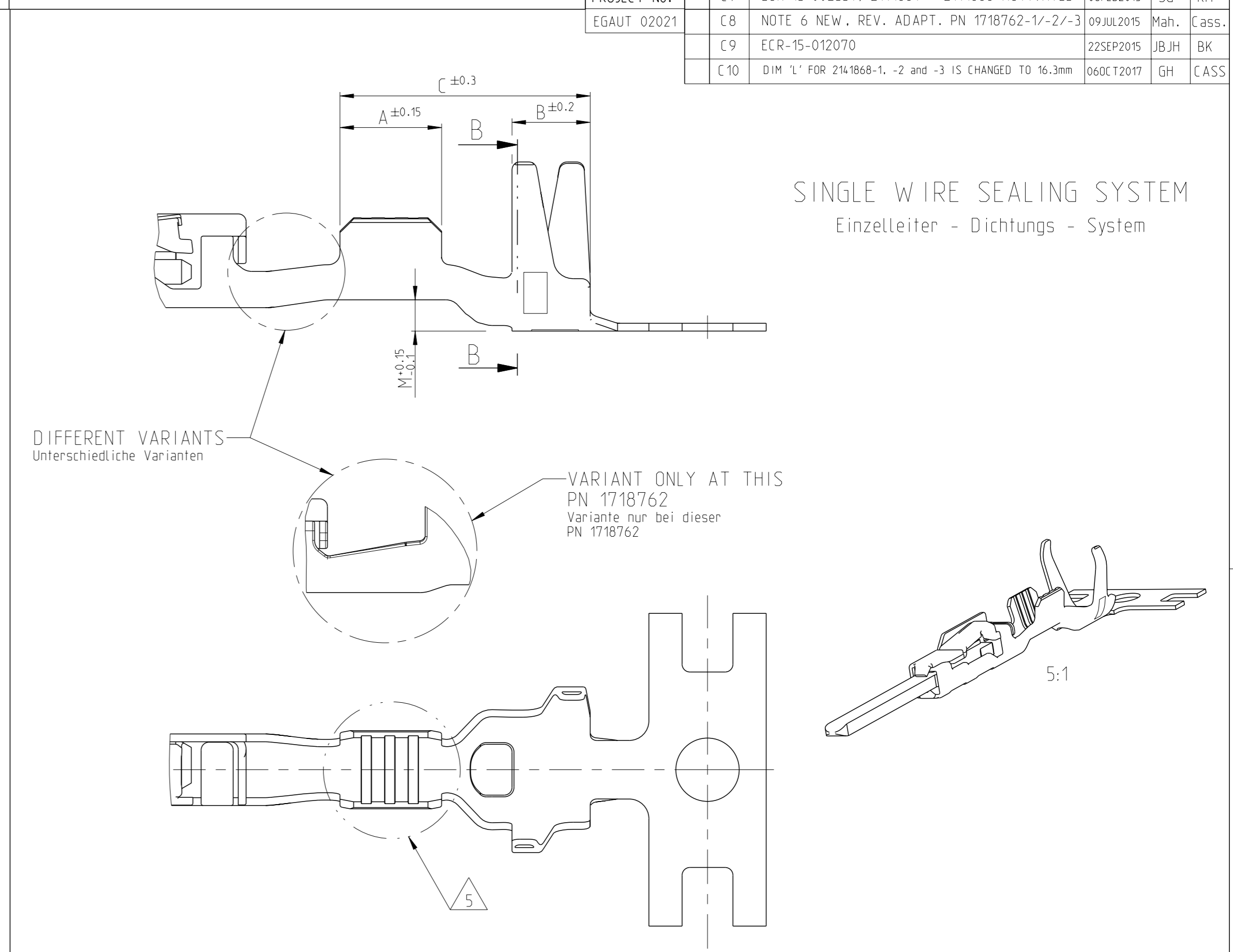
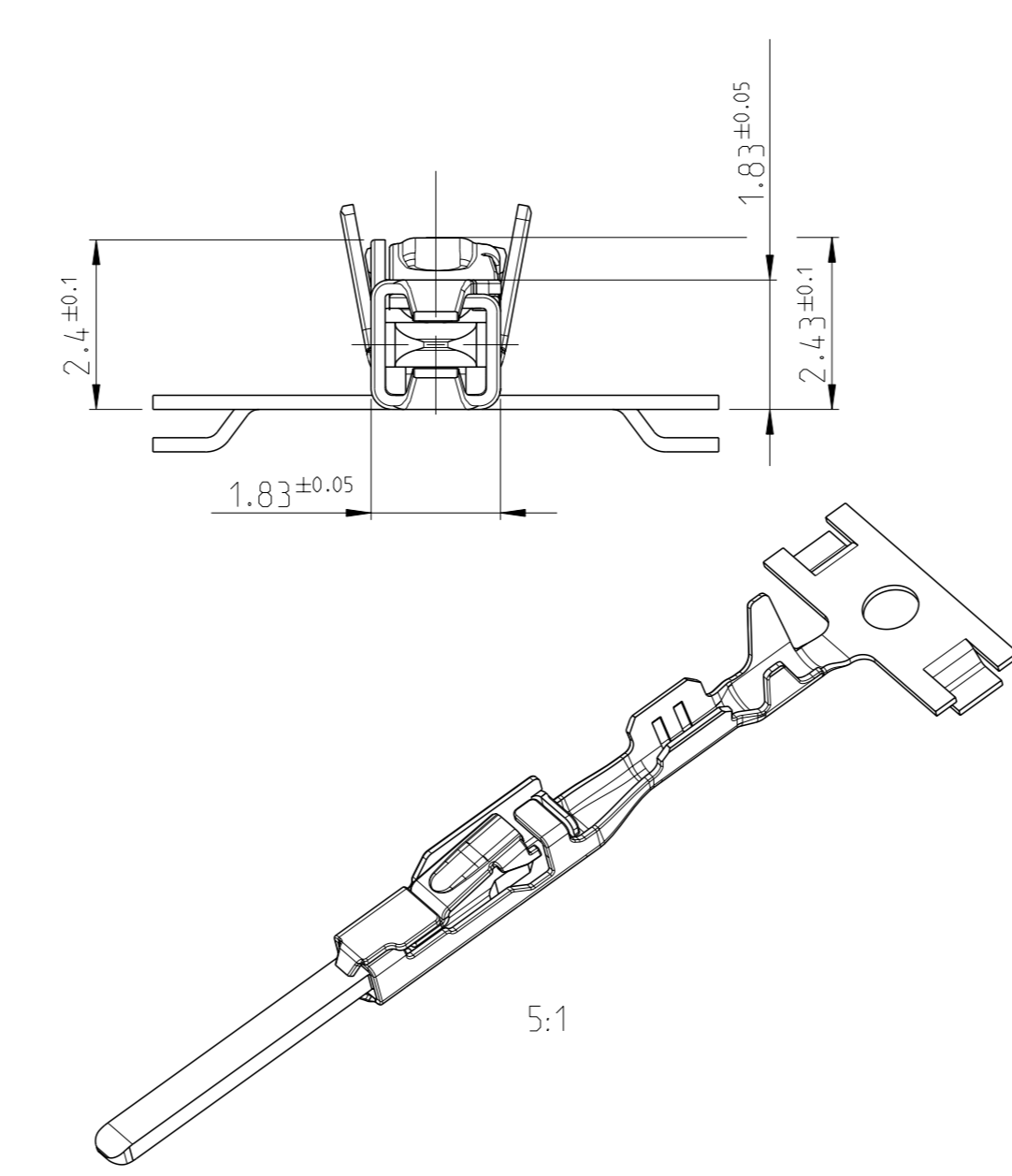
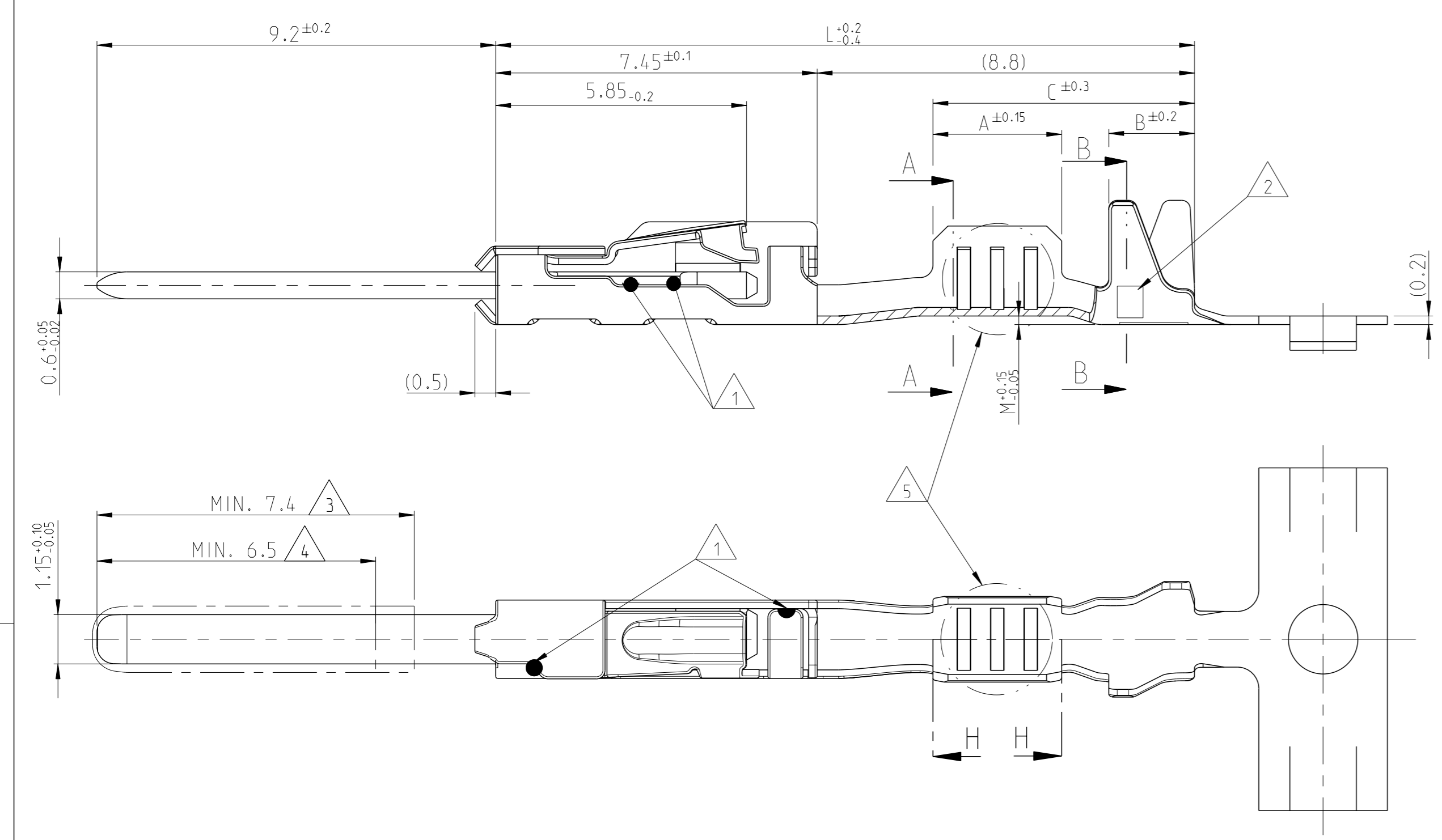


THE DRAWING SHOWS THE 2-DIMENSIONAL REFERENCE COMPONENT CONDITION OF THE ASSEMBLY TO IDENTIFY AND SPECIFY THE NECESSARY DIMENSIONS ONLY. THE DELIVERED PARTS MAY DEVIATE FROM THE DRAWING REGARDING THE ORIENTATION AND POSITION OF EACH COMPONENT (e.g. SLACK CABLE), SO FAR THE FUNCTIONALITY IS NOT CONCERNED.

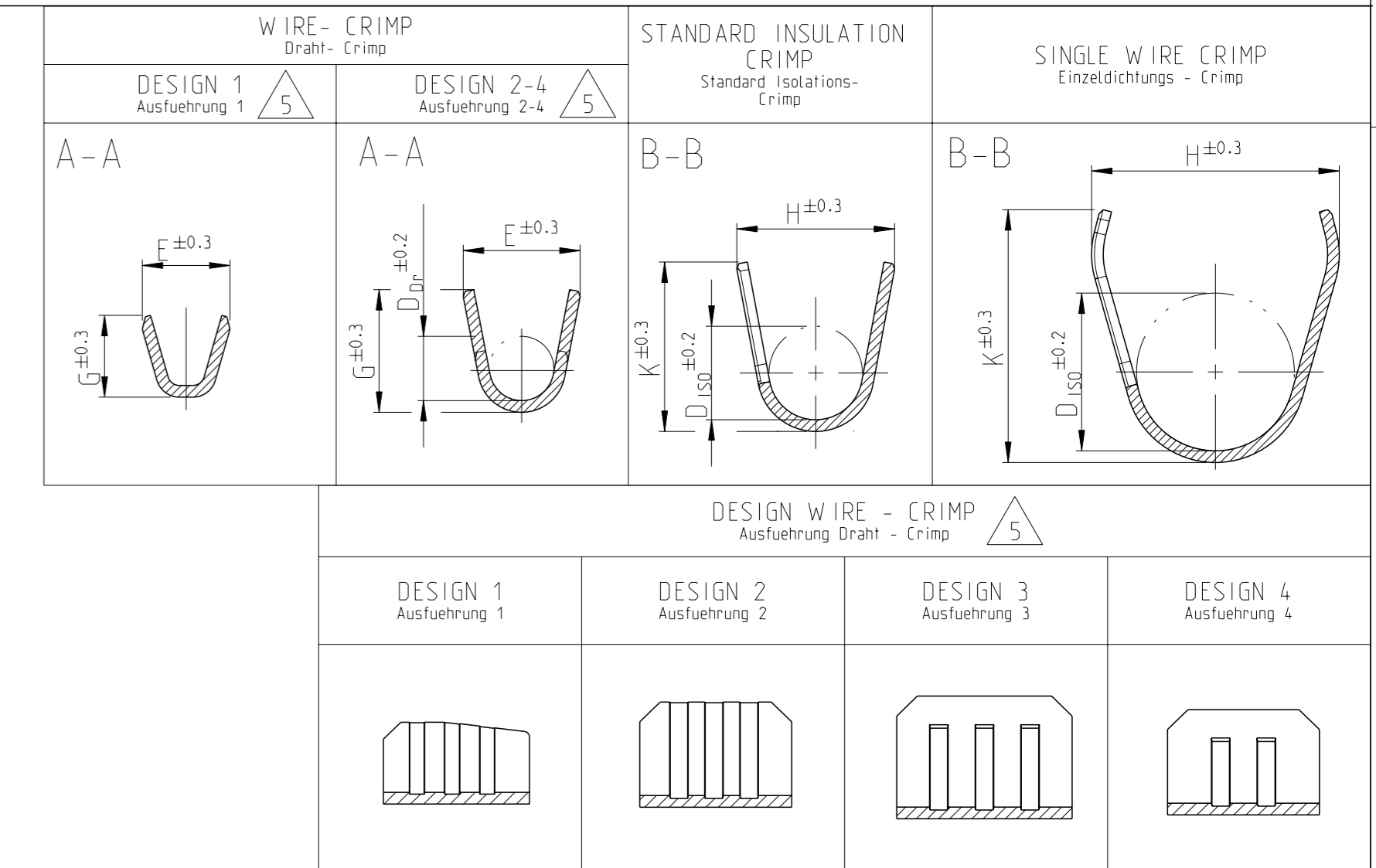
DIE ZEICHNUNG ZEIGT DEN 2-DIMENSIONAL IDEALZUSTAND DES ZUSAMMENBAUTEILS BEZÜGLICH DER KOMPONENTEN ZUR IDENTIFIKATION UND SPEZIFIKATION DER NOTWENDIGEN DIMENSIONEN. HINSICHTLICH DER ORIENTIERUNG UND DER LAGE DER KOMPONENTEN (Z.B. BIEGESCHLAPTES KABEL) KÖNNEN DIE DELIEFERTEN TEILE VON DER ZEICHNUNG ABWEICHEN, SOFERN DIE FUNKTIONALITÄT NICHT BEEINTRÄCHTIGT IST.

LOC	DIST	REV	DATE	OWN	APPV
AI	-	1			
REVISIONS					
PROJECT No.	C7	ECR-13-002334, 2141864 + 2141868 ACTIVATED	06FEB2013	SG	RM
EGAUT Q2021	C8	NOTE 6 NEW, REV. ADAPT. PN 1718762-1/-2/-3	09JUL2015	Mth	CASS
	C9	ECR-15-012070	22SEP2015	JBH	BK
	C10	DIM 'L' FOR 2141868-1, -2 and -3 IS CHANGED TO 16.3mm	06OCT2017	GH	CASS



INSULATION CRIMP FOR ISOLATIONSTRIP	ORDER NO. Bestell-Nr. STRIP Bandware	REV	WIRE RANGE Drahtgrößenbereich (mm²)	INSULATION ISOLATIONS-Ø (mm)	BODY CONTACTKORPER	TAB FLACHSTECKER	BODY CONTACTKORPER	SPRING CONTACTLEDER	DESIGN WIRE-CRIMP Ausführung Draht - Crimp	LENGTH Laenge	WIRE CRIMP Drahtcrimp	INSULATION CRIMP Isolations Crimp	DIMENSION MASS 'L' (mm)	MATERIAL Werkstoff		SURFACE Oberflaeche	
														CuNiSi	CuSn0.15/0.2	TIN PLATED verzinkt	CONTACT AREA TAB
SINGLE WIRE SEALING SYSTEM / Einzeldichtungssystem SEE APPLICATION SPECIFICATION / siehe Verarbeitungsspezifikation	1718762-3	B	1.0 - 1.5	1.9 - 2.4	CuNiSi	CuSn0.15/0.2	TIN PLATED verzinkt	2	4	A = 3.0 B = 2.0 C = 6.8	E = 2.6 G = 2.9 D _{br} = 1.35	H = 4.4 K = 4.3 D ₁₅₀ = 2.9 M = 0.8	16.8	3	TIN PLATED verzinkt	CONTACT AREA TAB MIN. 0.8µm SELECTIV GOLD OVER Ni	
	1718762-2	C															
	1718762-1	B															
	1718760-3	A	0.5 - 0.75	1.4 - 1.9	CuNiSi	CuSn0.15/0.2	TIN PLATED verzinkt	2	4	A = 2.6 B = 2.0 C = 6.4	E = 2.0 G = 2.1 D _{br} = 1.1	H = 4.2 K = 4.3 D ₁₅₀ = 2.7 M = 0.8	16.3	3	TIN PLATED verzinkt	CONTACT AREA TAB MIN. 2.0µm SELECTIV SILVER	
	1718760-2	B															
	1718760-1	A															
	1718758-3	A	0.25 - 0.35	1.1 - 1.75	CuNiSi	CuSn0.15/0.2	TIN PLATED verzinkt	2	4	A = 2.6 B = 2.0 C = 6.4	E = 1.8 G = 1.8 D _{br} = 0.8	H = 4.2 K = 4.3 D ₁₅₀ = 2.6 M = 0.8	16.3	3	TIN PLATED verzinkt	CONTACT AREA TAB MIN. 0.8µm SELECTIV GOLD OVER Ni	
	1718758-2	B															
	1718758-1	A															
	2141868-3	A	0.13 - 0.22	2.6	CuNiSi	CuSn0.15/0.2	TIN PLATED verzinkt	1	4	A = 2.5 B = 1.9 C = 6.2	E = 1.5 G = 1.4	H = 4.0 K = 4.1 D ₁₅₀ = 2.6 M = 0.6	16.3	3	TIN PLATED verzinkt	CONTACT AREA TAB MIN. 2.0µm SELECTIV SILVER	
	2141868-2	A															
	2141868-1	A															
FLR CABLE / Leitung SEE APPLICATION SPECIFICATION / siehe Verarbeitungsspezifikation	1418762-3	A	1.0 - 1.5	1.9 - 2.4	CuNiSi	CuSn0.15/0.2	TIN PLATED verzinkt	3	4	A = 3.0 B = 2.0 C = 6.1	E = 2.6 G = 2.9 D _{br} = 1.35	H = 3.7 K = 3.9 D ₁₅₀ = 2.1 M = 0.2	16.3	3	TIN PLATED verzinkt	CONTACT AREA TAB MIN. 0.8µm SELECTIV GOLD OVER Ni	
	1418762-2	B															
	1418762-1	A															
	5-1418760-3	A	0.5 - 0.75	1.4 - 1.9	CuNiSi	CuSn0.15/0.2	TIN PLATED verzinkt	2	4	A = 3.0 B = 2.0 C = 6.1	E = 2.0 G = 2.1 D _{br} = 1.1	H = 2.7 K = 2.9 D ₁₅₀ = 1.6 M = 0.2	16.3	3	TIN PLATED verzinkt	CONTACT AREA TAB MIN. 2.0µm SELECTIV SILVER	
	5-1418760-2	A															
	5-1418760-1	A															
	1418760-3	B	0.5 - 0.75	1.4 - 1.9	CuNiSi	CuSn0.15/0.2	TIN PLATED verzinkt	3	4	A = 3.0 B = 2.0 C = 6.1	E = 2.0 G = 2.1 D _{br} = 1.1	H = 2.7 K = 2.9 D ₁₅₀ = 1.6 M = 0.2	16.3	3	TIN PLATED verzinkt	CONTACT AREA TAB MIN. 0.8µm SELECTIV GOLD OVER Ni	
	1418760-2	C															
	1418760-1	B															
	5-1418758-3	A	0.25 - 0.35	1.1 - 1.75	CuNiSi	CuSn0.15/0.2	TIN PLATED verzinkt	2	4	A = 2.6 B = 2.0 C = 5.7	E = 1.8 G = 1.8 D _{br} = 0.8	H = 2.6 K = 2.6 D ₁₅₀ = 1.4 M = 0.2	16.3	3	TIN PLATED verzinkt	CONTACT AREA TAB MIN. 2.0µm SELECTIV SILVER	
	5-1418758-2	B															
	5-1418758-1	A															
1418758-3	A	0.25 - 0.35	1.1 - 1.75	CuNiSi	CuSn0.15/0.2	TIN PLATED verzinkt	4	4	A = 2.6 B = 2.0 C = 5.7	E = 1.8 G = 1.8 D _{br} = 0.8	H = 2.6 K = 2.6 D ₁₅₀ = 1.4 M = 0.2	16.3	3	TIN PLATED verzinkt	CONTACT AREA TAB MIN. 2.0µm SELECTIV SILVER		
1418758-2	B																
1418758-1	A																
2141864-3	A	0.13 - 0.22	0.85 - 1.2	CuNiSi	CuSn0.15/0.2	TIN PLATED verzinkt	1	4	A = 2.5 B = 1.7 C = 5.4	E = 1.5 G = 1.4	H = 2.0 K = 1.9 D ₁₅₀ = 1.1	15.3	3	TIN PLATED verzinkt	CONTACT AREA TAB MIN. 2.0µm SELECTIV SILVER		
2141864-2	A																
2141864-1	A																

C10



- 1 LASER WELDED Lasergeschweisst
- 2 REVISION STATUS Revisionsstand
- 3 CONTACT AREA TAB MIN. 0.8µm SELECTIV GOLD OVER Ni Kontaktzone selectiv vergoldet min. 0.8µm ueber Ni
- 4 CONTACT AREA TAB MIN. 2.0µm SELECTIV SILVER Kontaktzone selectiv versilbert min. 2.0µm
- 5 DIFFERENT FORM OF THE SERRATIONS AND WIRE-CRIMP POSSIBLE unterschiedliche Ausfuehrung der Ritzen und des Draht-Crimps moeglich
- 6 RELEASED WIRE, SEE APPLICATION SPEC. TE 114-18464 Freigegebene Leitung, siehe

PRODUCT CHARACTERISTICS ACC. QMP 1.12 BESONDERE MERKMALE NACH QMP 1.12	TOLERANCING ISO 8015 TOLERIERUNG ISO 8015
THIS DRAWING IS A CONTROLLED DOCUMENT. DIESER ZEICHNUNGSDRUCK IST EIN KONTROLLIERTES DOKUMENT.	OWN R. Meier 10MAR03 CHK U. Muenk 30JUL03
DIMENSIONS: mm	APPROX. NAME
TOLERANCES UNLESS OTHERWISE SPECIFIED: PLC ±0.2mm PLC ±0.2mm PLC ±0.2mm ANGLES ±°	PRODUCT SPEC 108-18782 APPLICATION SPEC 114-18464 WEIGHT - Customer Drawing
MATERIAL SEE TABLE siehe Tabelle	PRODUCT GROUP DRAWING FOR TAB CONTACT 1.2 MM Produktgruppenzeichnung Flachstecker 1.2mm SIZE 114-18464 SCALE 10:1 SHEET 1 OF 1 REV C10

Mouser Electronics

Authorized Distributor

Click to View Pricing, Inventory, Delivery & Lifecycle Information:

[TE Connectivity:](#)

[1418758-1](#) [1418758-1 \(Mouser Reel\)](#) [1418758-1 \(Cut Strip\)](#)