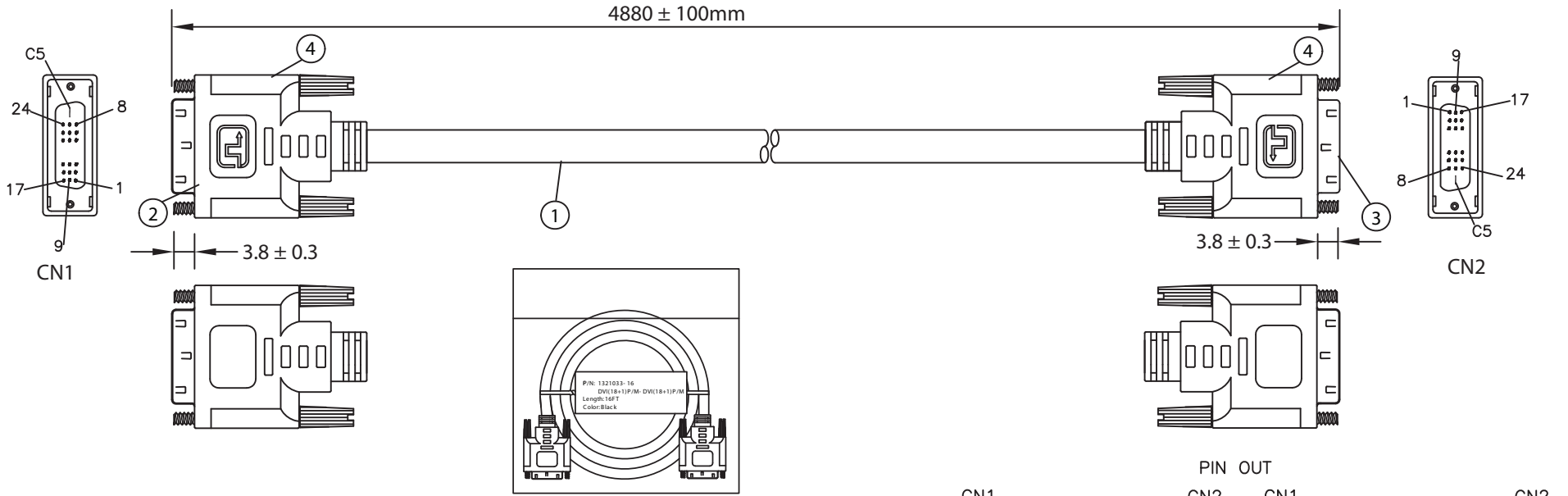


THESE DRAWINGS ARE THE PROPERTY OF QUALTEK ELECTRONICS AND NOT TO BE REPRODUCED FOR OR COMMUNICATED TO A THIRD PARTY WITHOUT THE EXPRESS WRITTEN PERMISSION OF AN OFFICER OF QUALTEK ELECTRONICS.

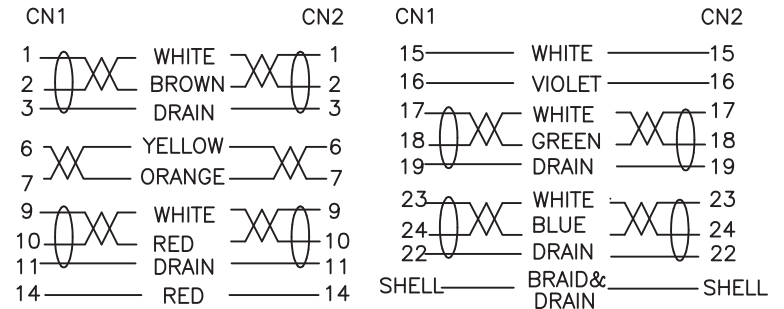
REVISION			
REV.	DESCRIPTION	DATE	APPROVED
B	Updated Pin Out, Notes and Graphics	01-27-14	LY



NOTES:

- CABLE: UL20276  
(28AWG\*1PR+EAM)\*4+28AWG\*1PR+28AWG\*3C+AEB(AL) 65%  
OUTER JACKET: BLACK, OD: 7.0 ± 0.2mm
- CONNECTOR: DVI 18+1 MALE  
INSULATOR: BLACK  
PIN G/F  
NICKEL PLATED SHELL  
THUMB SCREW: 2.8\*32.5 4-40UNC
- CONNECTOR: DVI 18+1 MALE  
INSULATOR: BLACK  
PIN G/F  
NICKEL PLATED SHELL  
THUMB SCREW: 2.8\*32.5 4-40UNC
- PVC MOLDED: COLOR V398 30P BLACK
- ELECTRICAL TEST:  
<1>.100% OPEN SHORT & MISS WIRE TEST  
<2>.INSULATION RESISTANCE: AC300V DC400V 10M ohm MIN.  
<3>.CONDUCTOR RESISTANCE: 4 ohm MAX.
- PACKING: 1PC/POLYBAG

PIN OUT



**CONTROLLED**

Dim range (mm)	Tolerance +/- (mm)	Qualtek Electronics Corp. WCI DIVISION		
		Part Number: 1321033-16	RoHS Compliant	
0-1	0.15	Description: DVI (18+1)P/M - DVI (18+1)P/M		
1-6	0.20			
6-18	0.30			
18-50	0.50			
50-120	0.70	UNIT: mm	REV. B	
120-250	0.90	Drawn / Date	Checked / Date	Approved / Date
250-500	1.20	B. Grubb 01-24-07	01-24-07	JJH / 01-24-07

# Mouser Electronics

Authorized Distributor

Click to View Pricing, Inventory, Delivery & Lifecycle Information:

[Qualtek:](#)

[1321033-16](#)