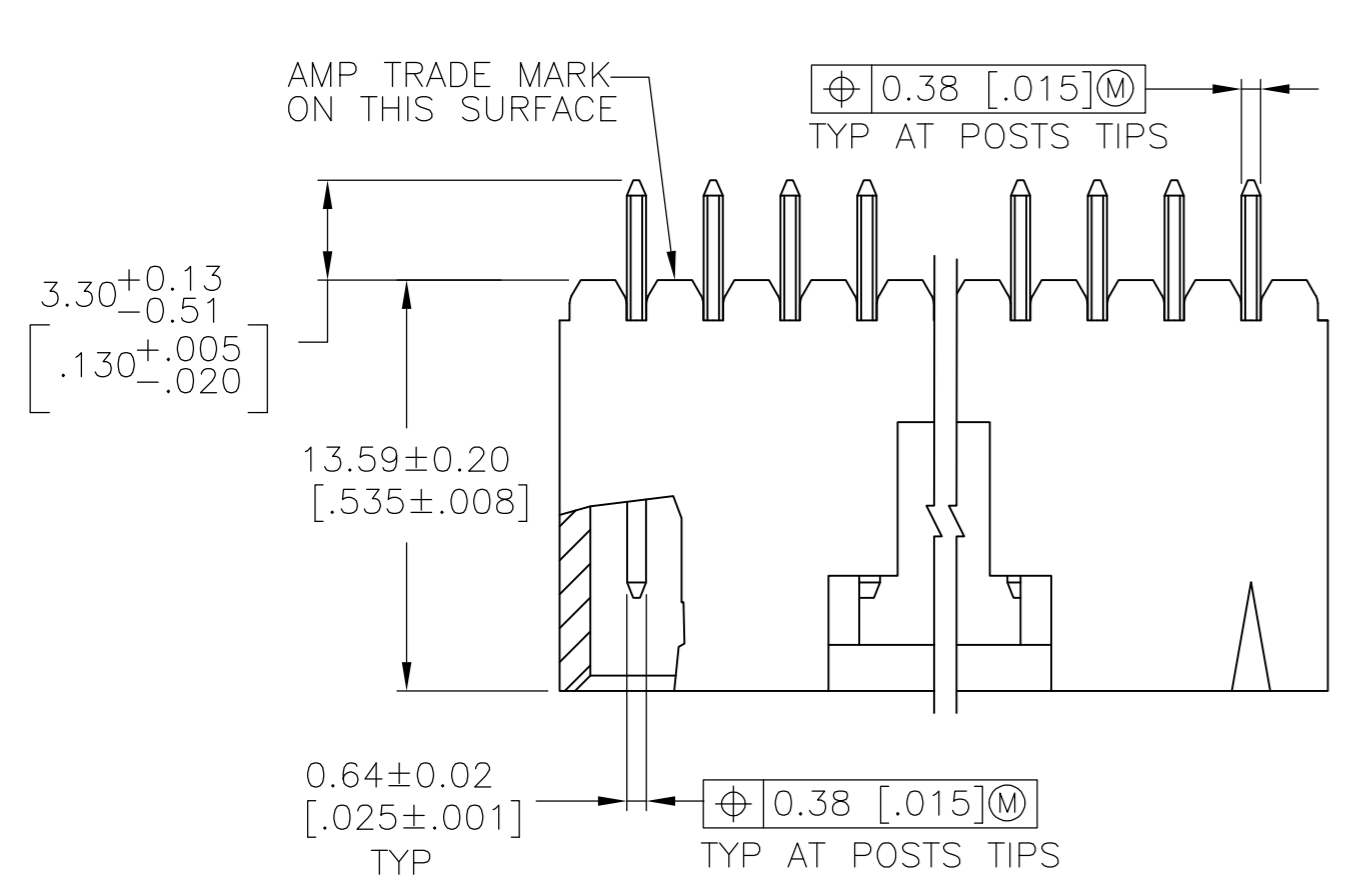
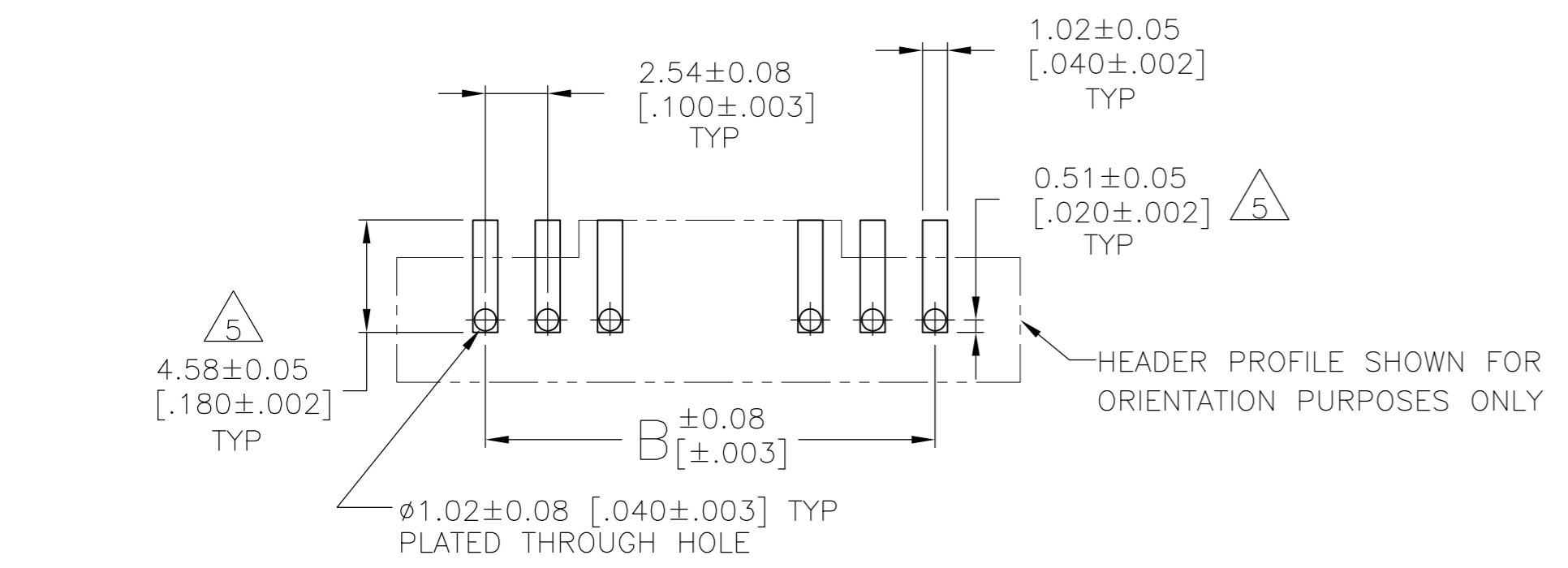
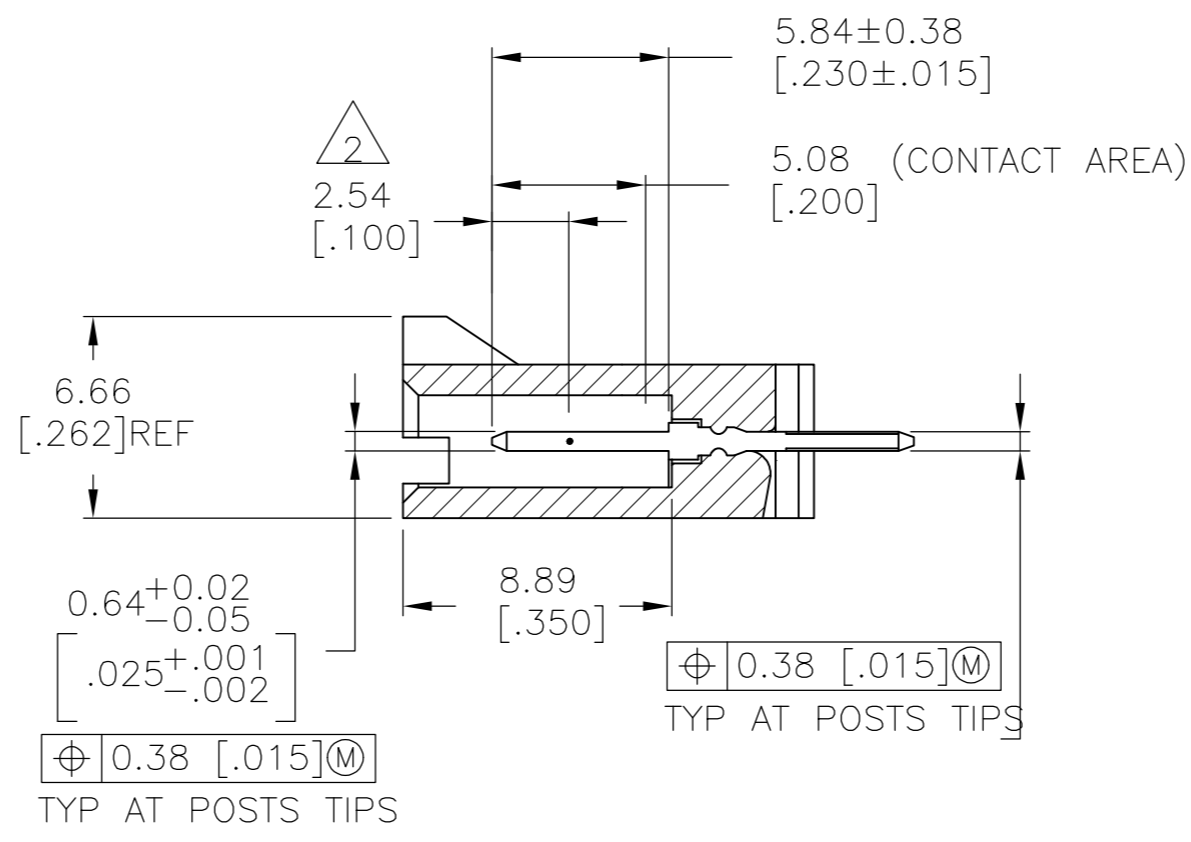
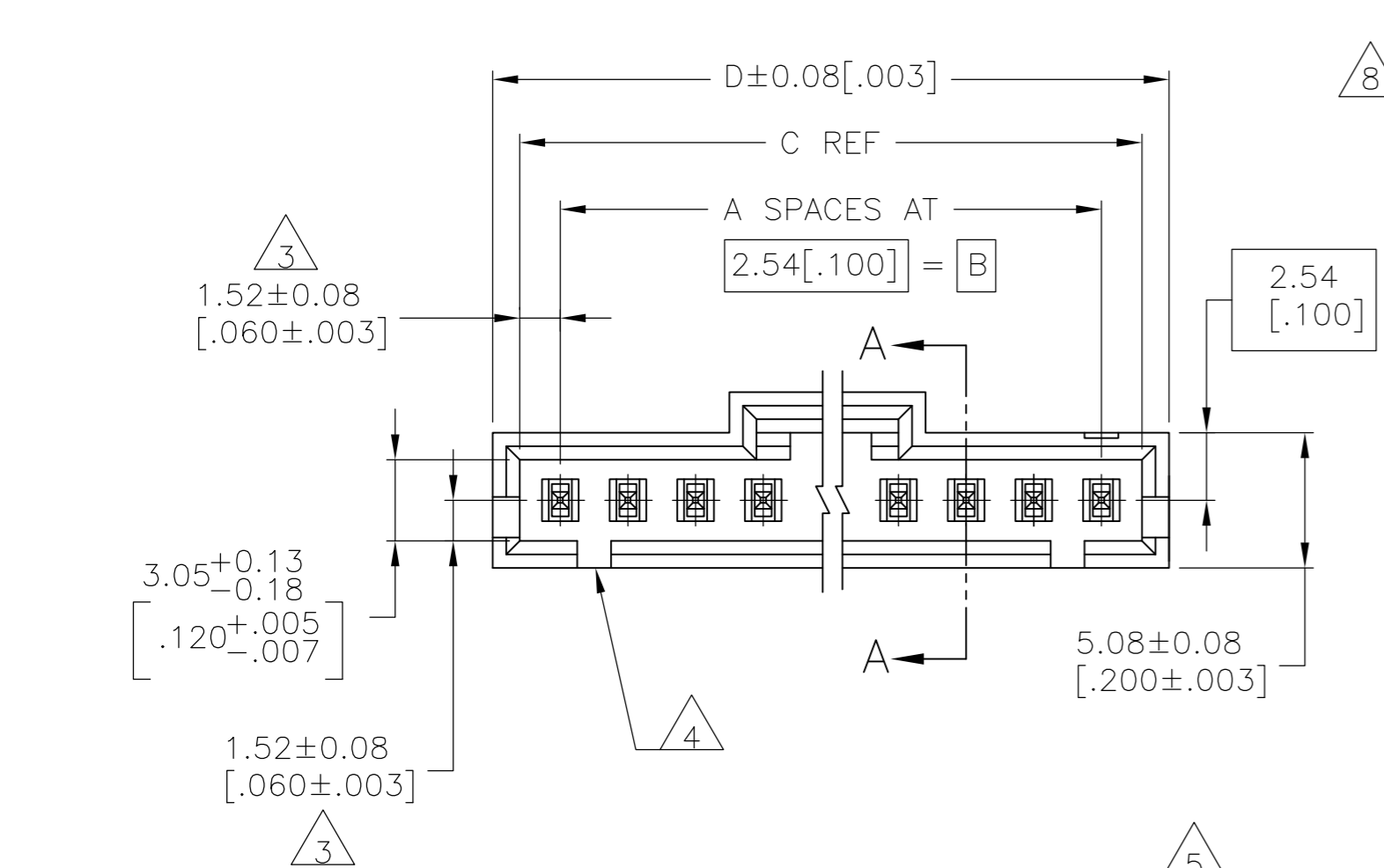


THIS DRAWING IS UNPUBLISHED. RELEASED FOR PUBLICATION  
 © COPYRIGHT - By - ALL RIGHTS RESERVED.

REVISIONS					
P	LTR	DESCRIPTION	DATE	DWN	APVD
G2		REVISED PER ECO-11-004917	11MAR11	RK	HMR
H		REVISED PER ECO-17-002209	12APR2017	BDA	MM



- 1 0.00038[.000015] GOLD IN THE CONTACT AREA, 0.00254-0.00508[.000100-.000200] MATTE TIN-LEAD ON THE SOLDER TAIL, ALL OVER 0.00127[.000050] NICKEL
- 2 POINT OF MEASUREMENT FOR PLATING THICKNESS
- 3 THE NOTED DIMENSIONS APPLY FROM THE BASIC DIMENSION LINE (NOT THE POST CENTERLINE) TO THE SURFACE INDICATED
- 4 ONE POLARIZATION SLOT FOR 2 POSITION ASSEMBLY ONLY.
- 5 DIMENSIONS NOTED ARE FOR SOLDER STENCIL LAYOUT FOR USE WITH 1.57±0.02[.062±.008] THICK PRINTED CIRCUIT BOARDS.
- 6 PARTS ARE PACKAGED IN GANG OF TUBES
- 7 0.00038[.000015] GOLD IN THE CONTACT AREA, 0.00254-0.00508[.000100-.000200] MATTE TIN ON THE SOLDER TAIL, ALL OVER 0.00127[.000050] NICKEL.
- 8 OBSOLETE PARTS: OBSOLETE CIS STREAMLINING PER D.RENAUD/D.SINISI



RECOMMENDED PC BOARD MOUNTING DIMENSIONS  
 RECOMMENDED STENCIL THICKNESS = 0.25[.010]

PLATING	D	C	B	A	NO OF POSN	PART NUMBER
7	65.91 [2.595]	64.01 [2.520]	60.96 [2.400]	24	25	7-104910-4
7	63.37 [2.495]	61.47 [2.420]	58.42 [2.300]	23	24	7-104910-3
7	60.83 [2.395]	58.93 [2.320]	55.88 [2.200]	22	23	7-104910-2
7	58.29 [2.295]	56.39 [2.220]	53.34 [2.100]	21	22	7-104910-1
7	55.75 [2.195]	53.85 [2.120]	50.80 [2.000]	20	21	7-104910-0
7	53.21 [2.095]	51.31 [2.020]	48.26 [1.900]	19	20	6-104910-9
7	50.67 [1.995]	48.77 [1.920]	45.72 [1.800]	18	19	6-104910-8
7	48.13 [1.895]	46.23 [1.820]	43.18 [1.700]	17	18	6-104910-7
7	45.59 [1.795]	43.69 [1.720]	40.64 [1.600]	16	17	6-104910-6
7	43.05 [1.695]	41.15 [1.620]	38.1 [1.500]	15	16	6-104910-5
7	40.51 [1.595]	38.61 [1.520]	35.56 [1.400]	14	15	6-104910-4
7	37.97 [1.495]	36.07 [1.420]	33.02 [1.300]	13	14	6-104910-3
7	35.43 [1.395]	33.53 [1.320]	30.48 [1.200]	12	13	6-104910-2
1	65.91 [2.595]	64.01 [2.520]	60.96 [2.400]	24	25	2-104910-4
1	63.37 [2.495]	61.47 [2.420]	58.42 [2.300]	23	24	2-104910-3
1	60.83 [2.395]	58.93 [2.320]	55.88 [2.200]	22	23	2-104910-2
1	58.29 [2.295]	56.39 [2.220]	53.34 [2.100]	21	22	2-104910-1
1	55.75 [2.195]	53.85 [2.120]	50.80 [2.000]	20	21	2-104910-0
1	53.21 [2.095]	51.31 [2.020]	48.26 [1.900]	19	20	1-104910-9
1	50.67 [1.995]	48.77 [1.920]	45.72 [1.800]	18	19	1-104910-8
1	48.13 [1.895]	46.23 [1.820]	43.18 [1.700]	17	18	1-104910-7
1	45.59 [1.795]	43.69 [1.720]	40.64 [1.600]	16	17	1-104910-6
1	43.05 [1.695]	41.15 [1.620]	38.1 [1.500]	15	16	1-104910-5
1	40.51 [1.595]	38.61 [1.520]	35.56 [1.400]	14	15	1-104910-4
1	37.97 [1.495]	36.07 [1.420]	33.02 [1.300]	13	14	1-104910-3
1	35.43 [1.395]	33.53 [1.320]	30.48 [1.200]	12	13	1-104910-2

SUPERSEDED

8 SUPERSEDED BY 6-104910-2

THIS DRAWING IS A CONTROLLED DOCUMENT.

DIMENSIONS: mm [INCHES] TOLERANCES UNLESS OTHERWISE SPECIFIED:

0 PLC	± -
1 PLC	± -
2 PLC	± 0.13[.005]
3 PLC	± -
4 PLC	± -
ANGLES	± -

MATERIAL HOUSING: HIGH TEMPERATURE LCP COLOR-BLACK POSTS: BRASS FINISH SEE TABLE

APVD: D. DUPLER 10-13-94

NAME: E. BRANDBERG 10-13-94, J. GESFORD 10-13-94

PRODUCT SPEC: - APPLICATION SPEC: -

WEIGHT: -

CUSTOMER DRAWING

TE Connectivity

HEADER ASSY, AMPMODU MTE, VERTICAL SINGLE ROW, 2.54[.100] POLARIZED WITH LATCHING, HIGH TEMP

SIZE: A2 CAGE CODE: 00779 DRAWING NO: 104910 RESTRICTED TO: -

SCALE: 4:1 SHEET: 1 OF 1 REV: H

# Mouser Electronics

Authorized Distributor

Click to View Pricing, Inventory, Delivery & Lifecycle Information:

[TE Connectivity:](#)

[6-104910-5](#)