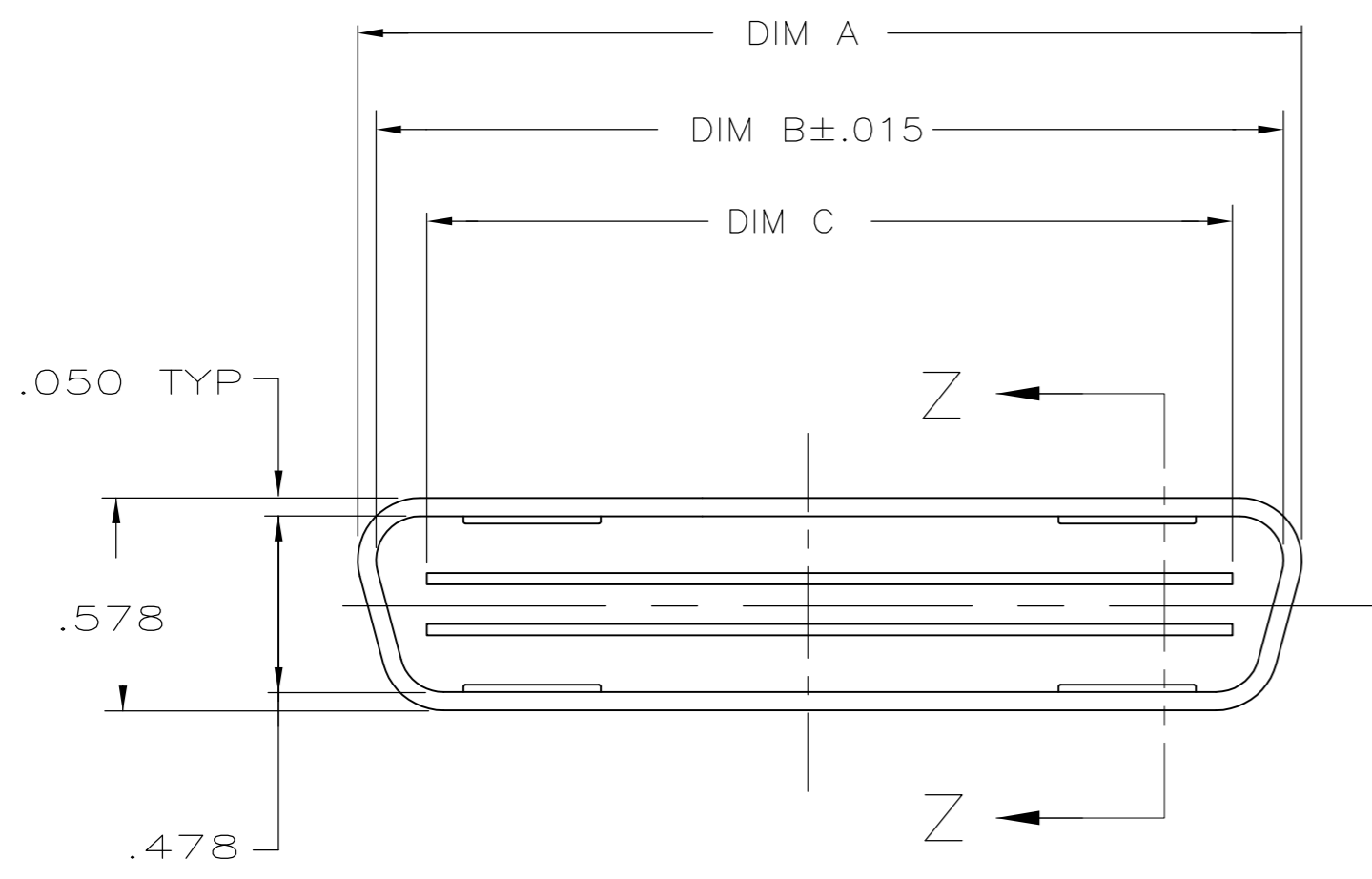
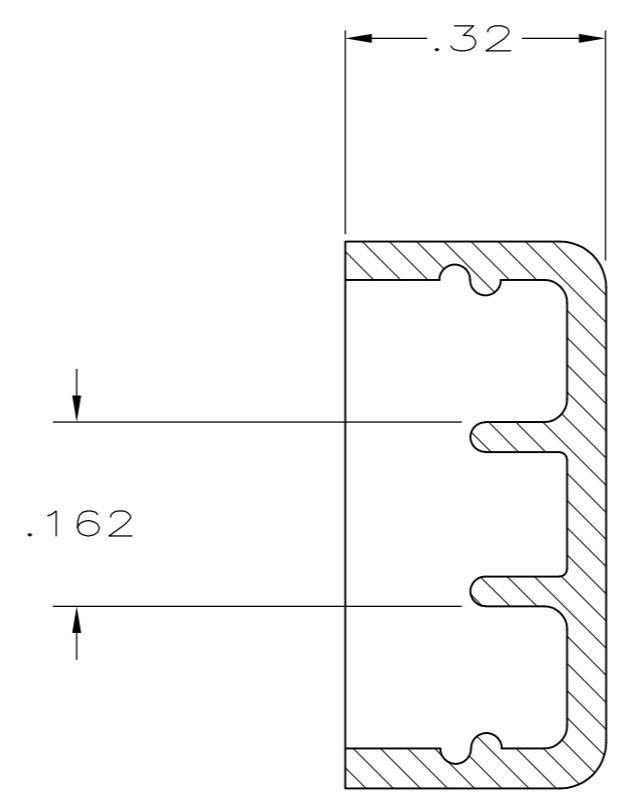
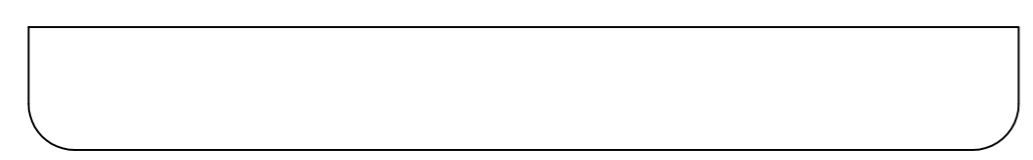


THIS DRAWING IS UNPUBLISHED. RELEASED FOR PUBLICATION
 © COPYRIGHT - By - ALL RIGHTS RESERVED.

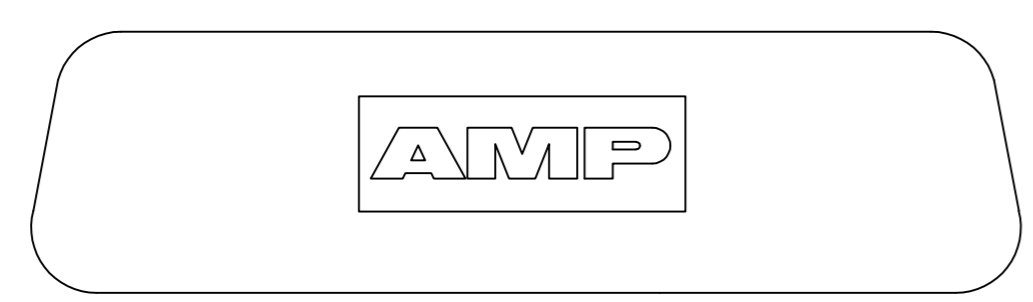
LOC	DIST	REVISIONS			
P	LTR	DESCRIPTION	DATE	DWN	APVD
AA	40				
		K1 REVISED PER ECO-11-004835	11MAR11	RK	HMR



1. ALL DIMENSIONS SHOWN ARE FOR REFERENCE ONLY UNLESS OTHERWISE SPECIFIED.
- △ THERMOPLASTIC, COLOR: RED.



SECTION Z-Z
SCALE 4:1



OBSOLETE	.662	1.012	1.112	14	229969-5
	1.087	1.437	1.537	24	229969-4
	1.597	1.947	2.047	36	229969-3
	2.787	3.137	3.237	64	229969-2
	2.192	2.542	2.642	50	229969-1
	DIM. C	DIM. B	DIM. A	POSITION	PART NO.

THIS DRAWING IS A CONTROLLED DOCUMENT.		DWN GP MACARTHUR 15 MAR 94	STE TE Connectivity	
DIMENSIONS: mm [INCHES]		CHK N. JONES 18 MAR 94		
TOLERANCES UNLESS OTHERWISE SPECIFIED:		APVD J. TRAMMEL 21 MAR 94	NAME COVER, DUST, RECEPTACLE, CHAMP	
0 PLC ± - 1 PLC ± - 2 PLC ± .02 3 PLC ± .005 4 PLC ± - ANGLES ± -		PRODUCT SPEC -	RESTRICTED TO -	
MATERIAL △		FINISH -	WEIGHT -	SIZE A2
		CUSTOMER DRAWING	CAGE CODE 00779	DRAWING NO C-229969
			SCALE 2:1	SHEET 1 of 1
			REV K1	

Mouser Electronics

Authorized Distributor

Click to View Pricing, Inventory, Delivery & Lifecycle Information:

[TE Connectivity:](#)

[229969-1](#)