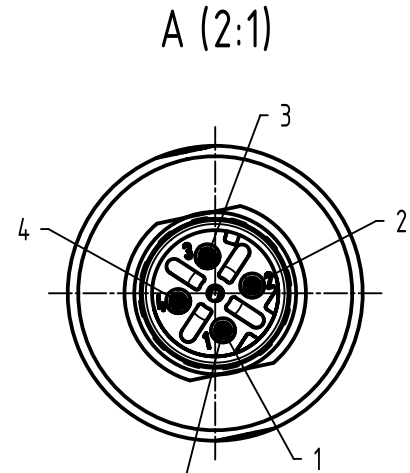
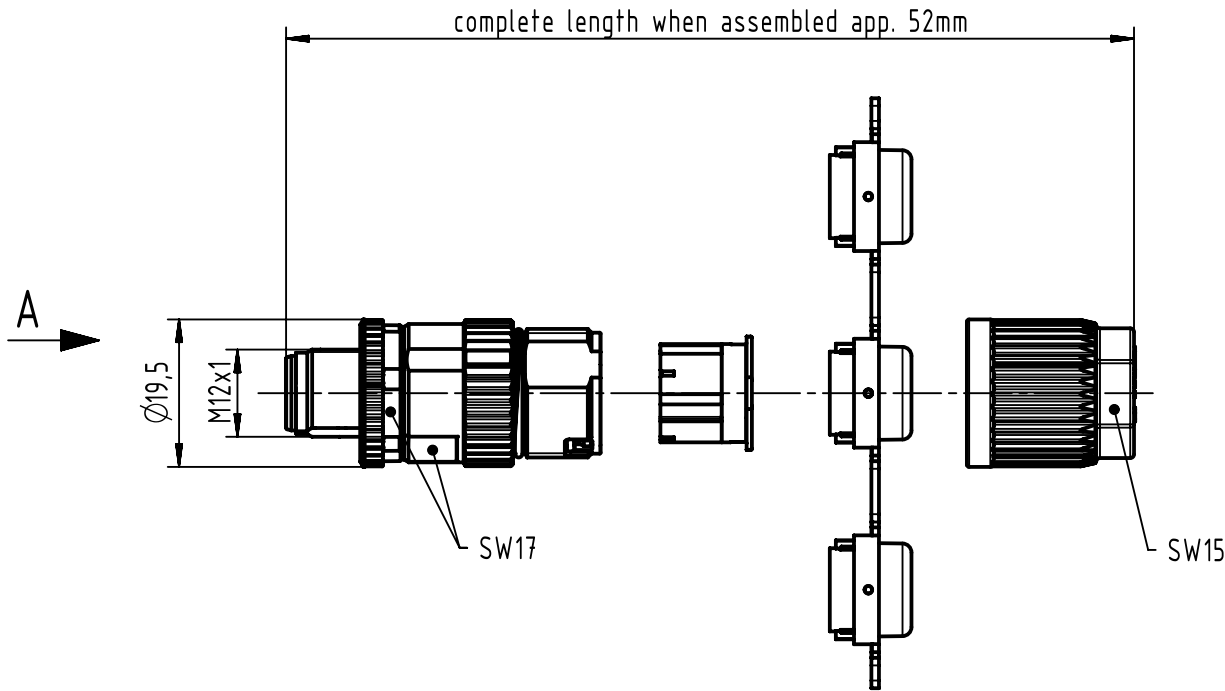
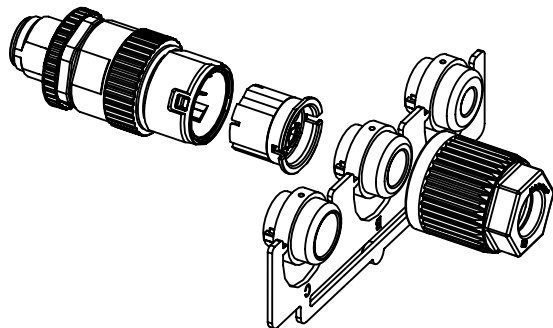



1 2 3 4 5 6



contact face acc. to IEC 61076-2-101



conductor cross section	0.14 - 0.34mm ² AWG26-AWG22
cable outside diameter	4.5 - 8.8mm

	All Dimensions in mm Original Size DIN A4		Scale 1:1	Free size tol.		Ref.	
	All rights reserved Department EL PD		Created by DYCKC	Inspected by HARLASS	Standardisation HOFFMANN	Date 2018-06-11	State Final Release
HARTING Electronics GmbH D-32339 Espelkamp		Title HARAX M12-L shielded male 4-pole D-coded				Doc-Key / ECM-Nr. 100195995/UGD/004/E 500000130647	
		Type TB	Number 21032811405			Rev. E	Page 1/1

Mouser Electronics

Authorized Distributor

Click to View Pricing, Inventory, Delivery & Lifecycle Information:

[HARTING:](#)

[21032811405](#)