

4

3

2

1

THIS DRAWING IS UNPUBLISHED.

RELEASED FOR PUBLICATION

--

© COPYRIGHT - By -

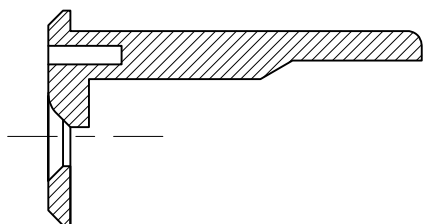
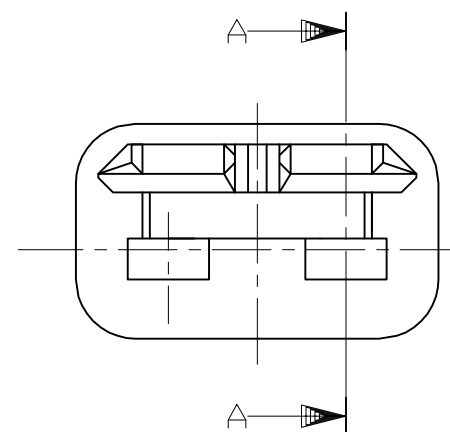
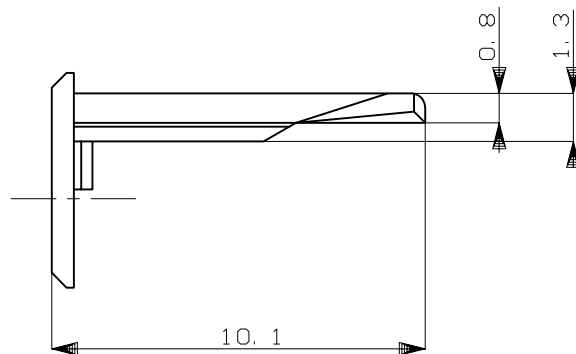
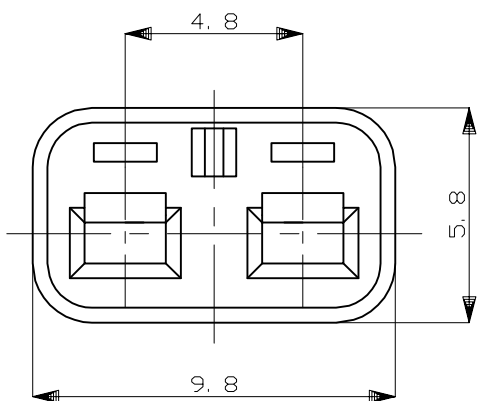
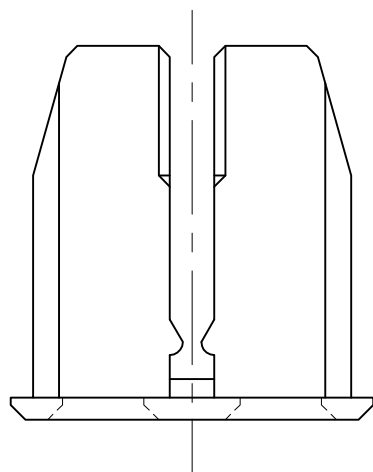
ALL RIGHTS RESERVED.

LOC
J

DIST
-

REVISIONS

P	LTR	DESCRIPTION	DATE	DWN	APVD
	C1	REVISED	ECR-15-000191	27JAN2015	TS KB



SECTION 断面 A-A

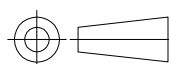
1. 本品は、プラグハウジング型番174352に装着される。

1. TO BE MATED WITH PLUG HOUSING (PN 174352)

HB	自然色 (NATURAL)	1-174353-1
V-2	黄 (YELLOW)	174353-7
使用材料難燃グレード (FLAMMABILITY OF MATERIAL)	色 (COLOR)	型番 (PART NUMBER)

THIS DRAWING IS A CONTROLLED DOCUMENT.

DIMENSIONS:
mm



TOLERANCES UNLESS OTHERWISE SPECIFIED:

0 PLC	± -
1 PLC	± -
2 PLC	± -
3 PLC	± -
4 PLC	± -
ANGLES	± -

MATERIAL
PBT

FINISH
-

DWN
K.ODA 8/13'87

CHK
Y.MATSUSAKA 8/24'87

APVD
M.NOBUCHI 8/19'87

PRODUCT SPEC
108-5262

APPLICATION SPEC
-

WEIGHT
-

CUSTOMER DRAWING

STE TE Connectivity

NAME
2P. ECONOSEAL J-MARKII+ CONNECTOR
DOUBLE LOCK PLATE FOR PLUG HOUSING

SIZE	CAGE CODE	DRAWING NO	RESTRICTED TO
A3	00779	C=174353	-

GENERAL TOLERANCE

0 < * ≤ 10	: ±0.2
10 < * ≤ 30	: ±0.25
30 < * ≤ 100	: ±0.3
ANGLES	: ±3°

SCALE 5:1 SHEET 1 of 1 REV C1

Mouser Electronics

Authorized Distributor

Click to View Pricing, Inventory, Delivery & Lifecycle Information:

[TE Connectivity:](#)

[1-174353-1](#)