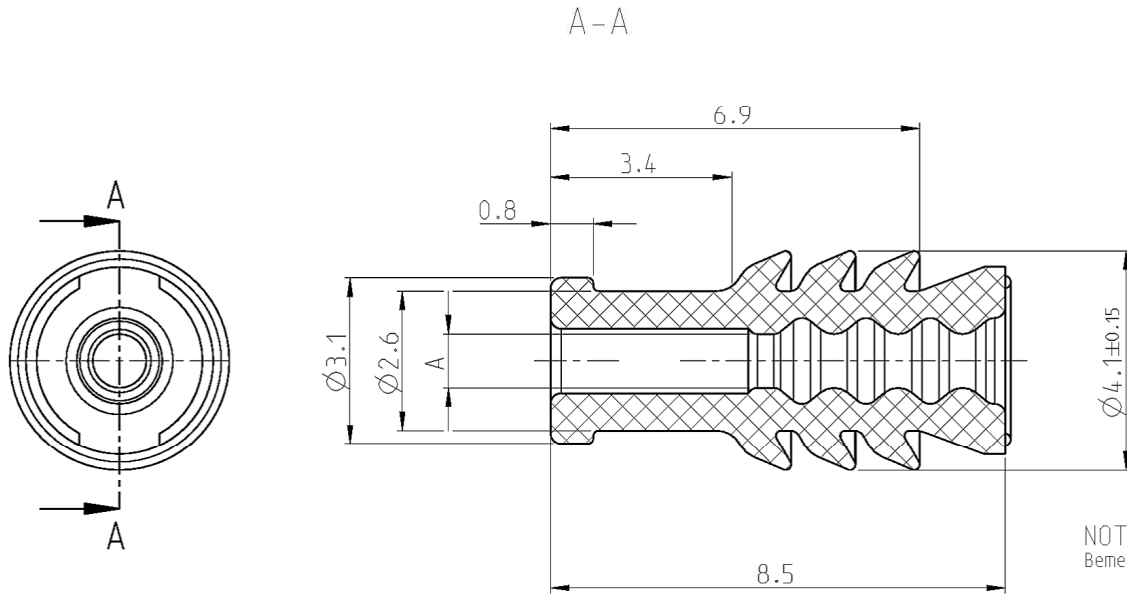


LOC	DIST	REVISIONS			
P	LTR	DESCRIPTION	DATE	DWN	APVD
A9		NEW DASH # 1-967067-1, TEMPERED	09JAN2012	Mah.	AbeLe
A10		NEW PRO E DRAWING	02FEB2012	Mah.	AbeLe



NOTES
Bemerkungen

- SUITABLE FOR SOCKET CONTACT FOR SINGLE WIRE SEAL, SEE : 929454; 929419; 1241611
Passend zu Buchsenkontakt fuer Einzeldichtung, siehe: 929454; 929419; 1241611
- SUITABLE FOR PIN CONTACT FOR SINGLE WIRE SEAL SEE 929453
Passend zu Stiftkontakt fuer Einzeldichtung siehe 929453
- SILOXAN IS MINIMIZED THROUGH TEMPERING PROCESS
SILOXAN minimiert durch Temperung

1.4 - 2.1	∅1.0±0.15	SINGLE WIRE Einzelleitung	1-967067-1	A	GREEN/gruen	-	0-967067-1	
0.9 - 1.4	∅0.6±0.15		0-967067-2	A	YELLOW /gelb	0.07	Silicone VMQ 50	-
1.4 - 2.1	∅1.0±0.15		0-967067-1	A	GREEN/gruen	0.06		-
ISO-DIA	DIM "A"	USED ON verwendet fuer	ORDER NO Bestell Nr.	REV.	COLOR Farbe	WEIGHT Gewicht	MATERIAL	HEAT TREAT

THIS DRAWING IS A CONTROLLED DOCUMENT.		DWN S. Garcia 29JUL1999	TE Connectivity	
		CHK R. Jetter 28JUL1999		
DIMENSIONS: mm		TOLERANCES UNLESS OTHERWISE SPECIFIED: M3 DIN 7715		NAME Micro Quadlok System
		0 PLC ± 1 PLC ± 2 PLC ± 3 PLC ± 4 PLC ± ANGLES ±°		PRODUCT SPEC 114-18025
MATERIAL SEE TABLE		FINISH -		APPLICATION SPEC 108-18403
		WEIGHT SEE TABLE		SIZE CAGE CODE DRAWING NO A3 00779 C=967067
		CUSTOMER DRAWING		RESTRICTED TO -
		SCALE 10:1		SHEET 1 OF 1 REV A10

Mouser Electronics

Authorized Distributor

Click to View Pricing, Inventory, Delivery & Lifecycle Information:

[TE Connectivity:](#)

[967067-1](#)