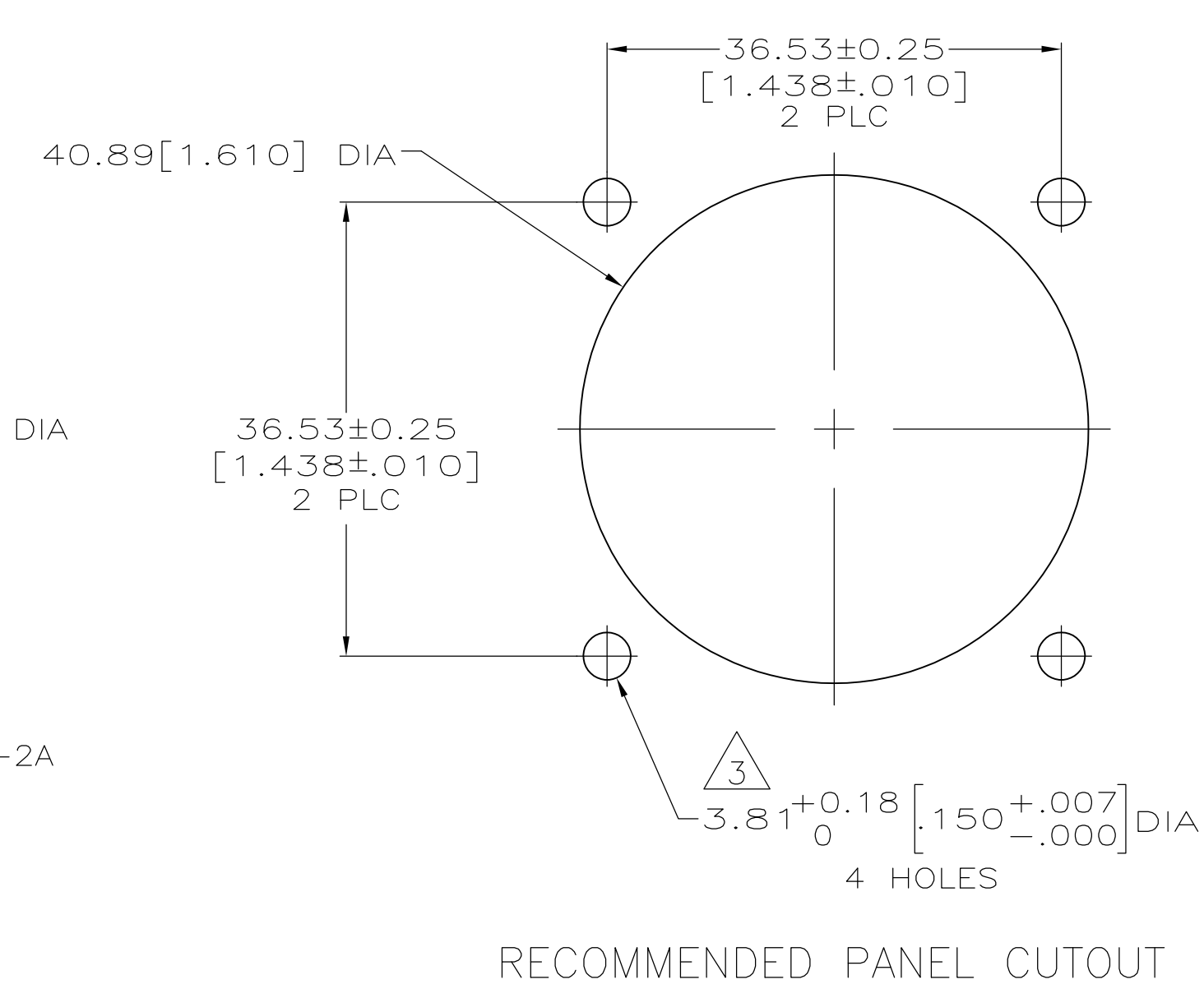
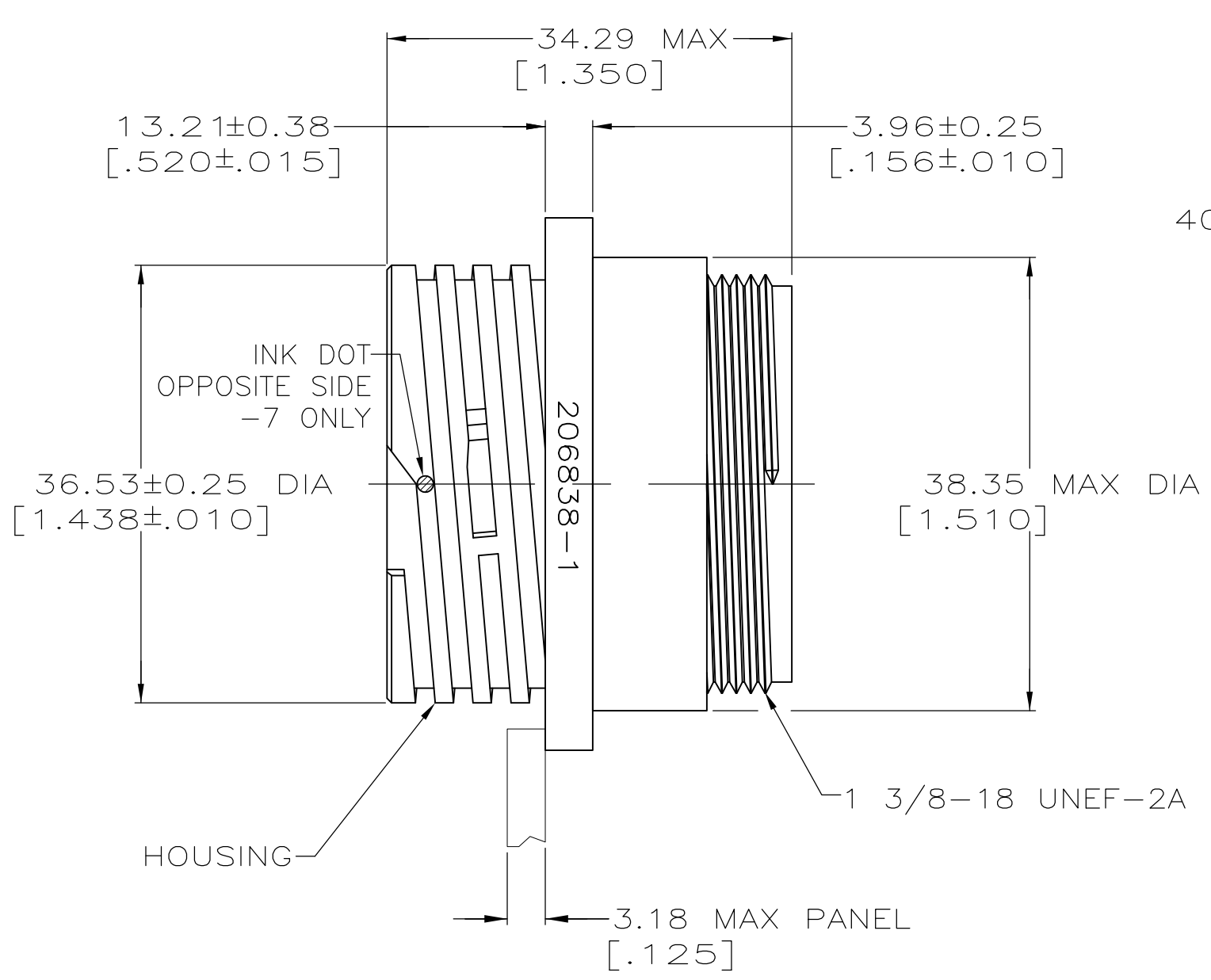
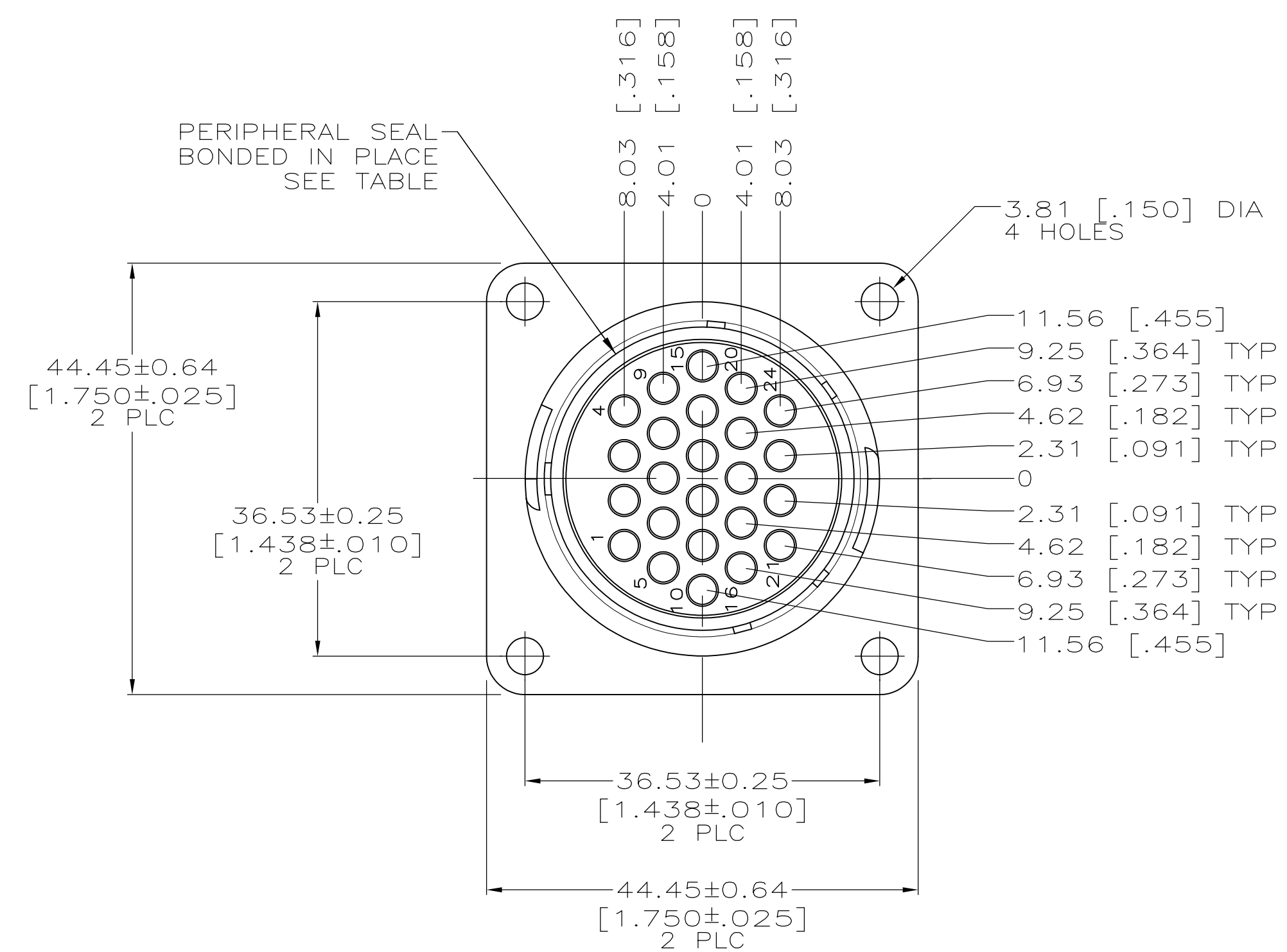
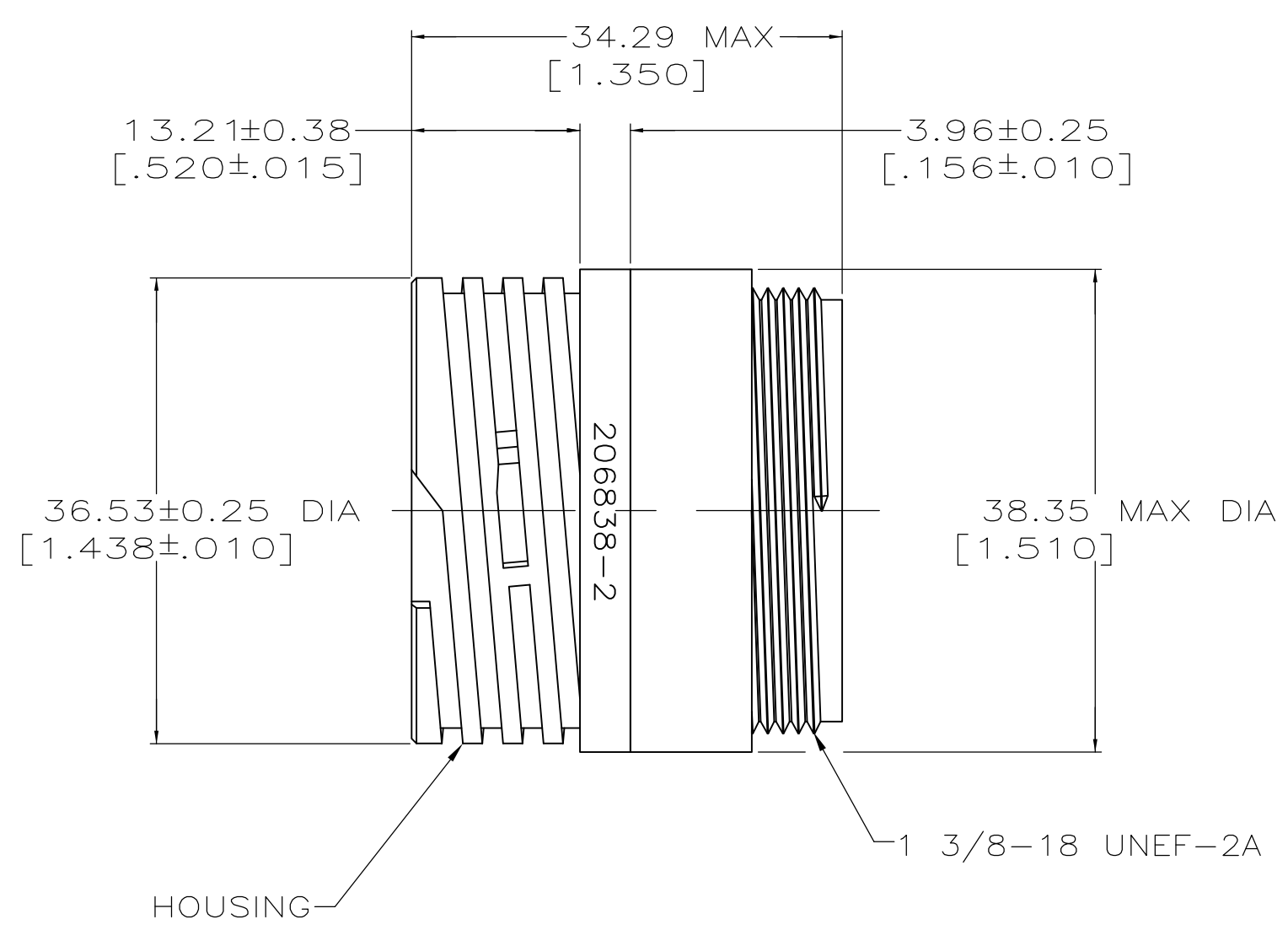
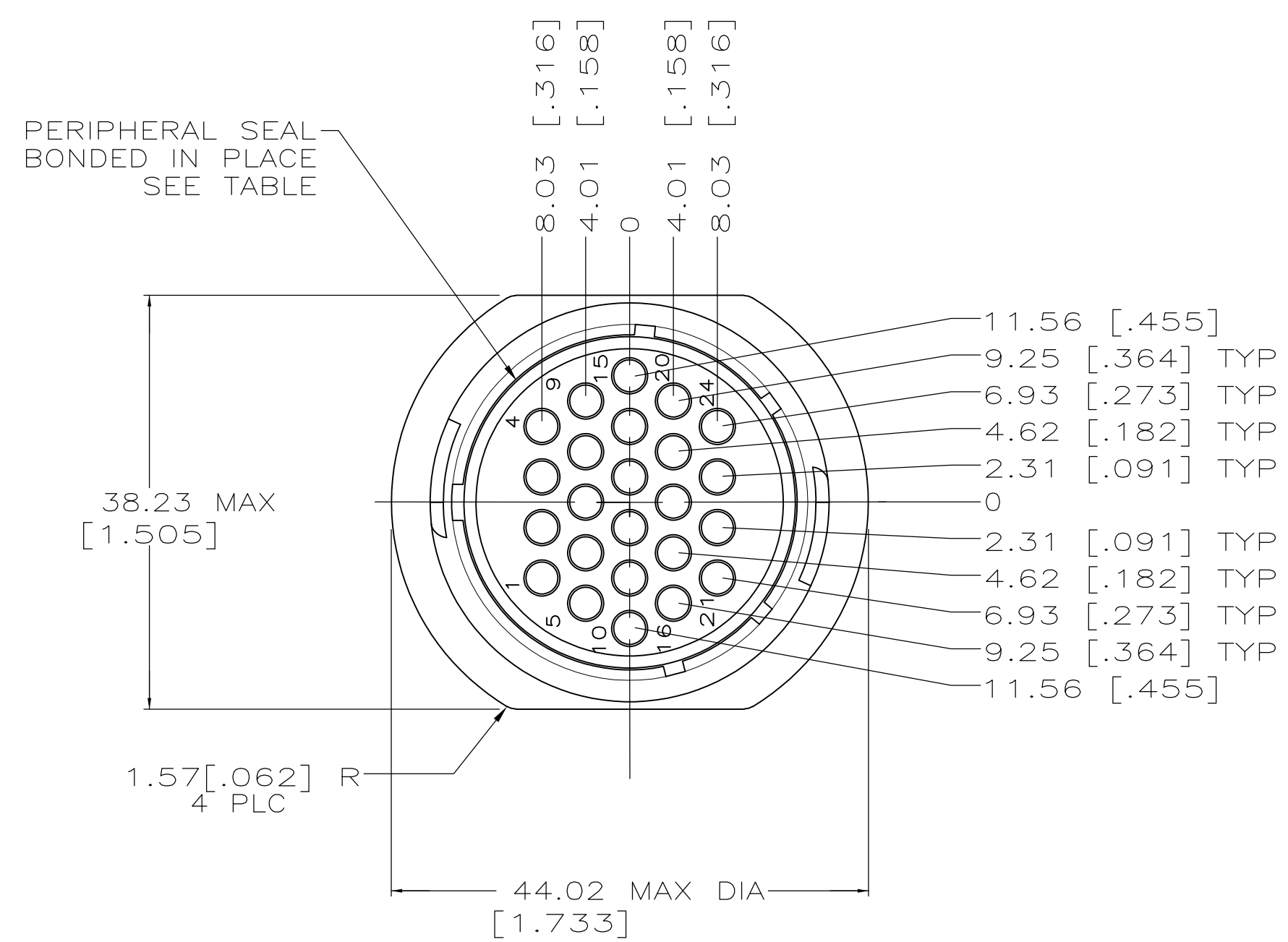


REVISIONS				
P	LTR	DESCRIPTION	DATE	APPV
L1		REVISED PER ECO-16-004800	10SEP2016	NK MZ
M		REVISED PER ECR-16-017870	20APR2017	BDA MZ



DETAIL A



DETAIL B

- 1 CAVITY IDENTIFICATION ON FRONT AND REAR FACE.
- 2 WILL ACCEPT (24) MULTIMATE PIN CONTACTS.
- 3 NO 4 FASTENER RECOMMENDED FOR MOUNTING.
- 4 MAXIMUM INSULATION NOT TO EXCEED .150 DIA.
- 5 WHITE DOT NEAR POSITION 1 ON WIRE ENTRY FACE.

OBsolete	STANDARD	YES	A	<del>206838-8</del>
OBsolete	STANDARD	YES	A	<del>206838-7</del>
OBsolete	SMALL PACK	NO	A	<del>206838-5</del>
	STANDARD	YES	B	206838-4
	STANDARD	YES	A	206838-3
	STANDARD	NO	B	206838-2
	STANDARD	NO	A	206838-1
	PACKAGING	PERIPHERAL SEAL	SEE DETAIL	PART NUMBER

THIS DRAWING IS A CONTROLLED DOCUMENT.

DIMENSIONS: mm [INCHES]	TOLERANCES UNLESS OTHERWISE SPECIFIED:	DWG: D.GELTZ 10/29/92	CHK: R.STONE 08/11/93	APVD: -	NAME: -
0 PLC ± -	1 PLC ± -	PRODUCT SPEC: 108-10024			
2 PLC ± ± 0.13 [.005]	3 PLC ± ± -	APPLICATION SPEC: -			
4 PLC ± ± -	ANGLES ± ± -	SIZE: A1			
MATERIAL: HOUSING: NYLON, BLACK	FINISH: -	WEIGHT: -	SCALE: 2:1	SHEET: 1 OF 1	REV: M

**STE** TE Connectivity  
RECEPTACLE HOUSING, STANDARD SEX, SHELL SIZE 23, CPC

CUSTOMER DRAWING

# Mouser Electronics

Authorized Distributor

Click to View Pricing, Inventory, Delivery & Lifecycle Information:

[TE Connectivity:](#)

[206838-3](#)