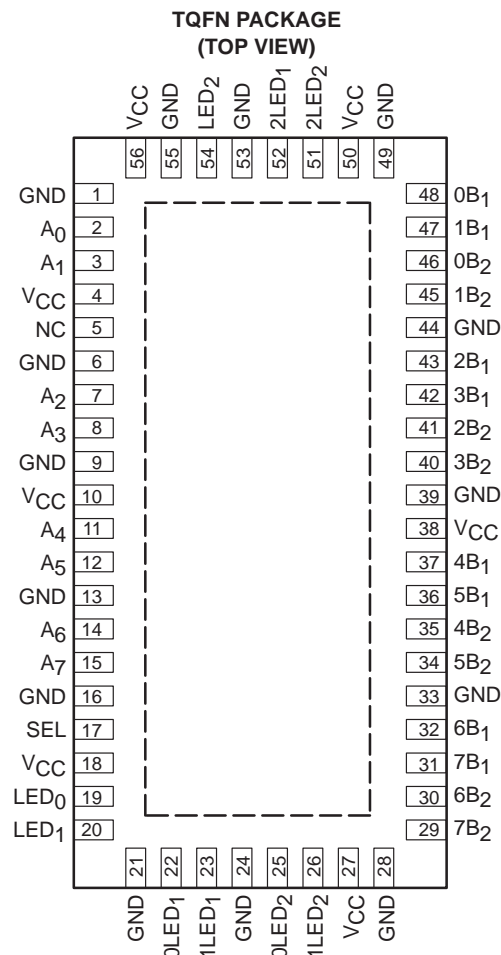


# TS3L500

## 16-BIT TO 8-BIT SPDT GIGABIT LAN SWITCH WITH LED SWITCH

SCDS212B – SEPTEMBER 2005 – REVISED APRIL 2006

- **Wide Bandwidth** (BW > 1100 MHz Typ)
- **Low Crosstalk** ( $X_{TALK} = -37$  dB Typ)
- **Low Bit-to-Bit Skew** ( $t_{sk(o)} = 100$  ps Max)
- **Low and Flat ON-State Resistance** ( $r_{on} = 4 \Omega$  Typ,  $r_{on(Flat)} = 0.5 \Omega$  Typ)
- **Low Input/Output Capacitance** ( $C_{ON} = 8$  pF Typ)
- **Rail-to-Rail Switching on Data I/O Ports** (0 to 5 V)
- **V<sub>CC</sub> Operating Range From 3 V to 3.6 V**
- **Latch-Up Performance Exceeds 100 mA Per JESD 78, Class II**
- **ESD Performance Tested Per JESD 22**
  - 2000-V Human-Body Model (A114-B, Class II)
  - 1000-V Charged-Device Model (C101)
- **Applications**
  - 10/100/1000 Base-T Signal Switching
  - Differential (LVDS, LVPECL) Signal Switching
  - Audio/Video Switching
  - Hub and Router Signal Switching



### description/ordering information

The TS3L500 is a 16-bit to 8-bit multiplexer/demultiplexer LAN switch with a single select (SEL) input. SEL controls the data path of the multiplexer/demultiplexer. The device provides additional I/Os for switching status indicating LED signals.

The device provides a low and flat ON-state resistance ( $r_{on}$ ) and an excellent ON-state resistance match. Low input/output capacitance, high bandwidth, low skew, and low crosstalk among channels make this device suitable for various LAN applications, such as 10/100/1000 Base-T.

This device can be used to replace mechanical relays in LAN applications. It also can be used to route signals from a 10/100 Base-T ethernet transceiver to the RJ-45 LAN connectors in laptops or in docking stations.

### ORDERING INFORMATION

T <sub>A</sub>	PACKAGE†	ORDERABLE PART NUMBER	TOP-SIDE MARKING
–40°C to 85°C	TQFN Tape and reel	TS3L500RHUR	TK500

† Package drawings, standard packing quantities, thermal data, symbolization, and PCB design guidelines are available at [www.ti.com/sc/package](http://www.ti.com/sc/package).



Please be aware that an important notice concerning availability, standard warranty, and use in critical applications of Texas Instruments semiconductor products and disclaimers thereto appears at the end of this data sheet.

PRODUCTION DATA information is current as of publication date. Products conform to specifications per the terms of Texas Instruments standard warranty. Production processing does not necessarily include testing of all parameters.



POST OFFICE BOX 655303 • DALLAS, TEXAS 75265

Copyright © 2006, Texas Instruments Incorporated

# TS3L500

## 16-BIT TO 8-BIT SPDT GIGABIT LAN SWITCH WITH LED SWITCH

SCDS212B – SEPTEMBER 2005 – REVISED APRIL 2006

---

FUNCTION TABLE

INPUT SEL	INPUT/OUTPUT $A_n$	FUNCTION
L	$nB_1$	$A_n = nB_1, LED_x = XLED_1$
H	$nB_2$	$A_n = nB_2, LED_x = XLED_2$

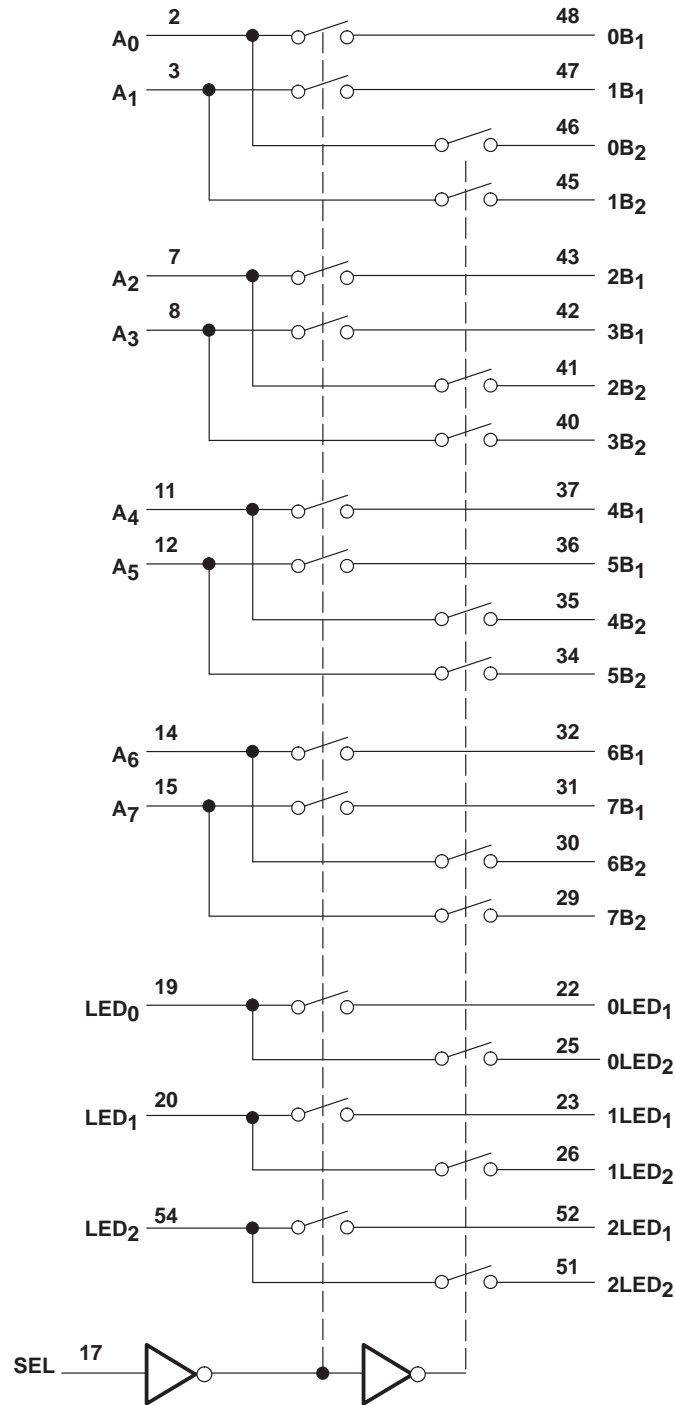
PIN DESCRIPTION

NAME	DESCRIPTION
$A_n$	Data I/O
$nB_m$	Data I/O
SEL	Select input
$LED_x$	LED I/O port
$XLED_m$	LED I/O port

# TS3L500 16-BIT TO 8-BIT SPDT GIGABIT LAN SWITCH WITH LED SWITCH

SCDS212B – SEPTEMBER 2005 – REVISED APRIL 2006

logic diagram (positive logic)



# TS3L500

## 16-BIT TO 8-BIT SPDT GIGABIT LAN SWITCH WITH LED SWITCH

SCDS212B – SEPTEMBER 2005 – REVISED APRIL 2006

### absolute maximum ratings over operating free-air temperature range (unless otherwise noted)†

Supply voltage range, $V_{CC}$	-0.5 V to 4.6 V
Control input voltage range, $V_{IN}$ (see Notes 1 and 2)	-0.5 V to 7 V
Switch I/O voltage range, $V_{I/O}$ (see Notes 1, 2, and 3)	-0.5 V to 7 V
Control input clamp current, $I_{IK}$ ( $V_{IN} < 0$ )	-50 mA
I/O port clamp current, $I_{I/OK}$ ( $V_{I/O} < 0$ )	-50 mA
ON-state switch current, $I_{I/O}$ (see Note 4)	$\pm 128$ mA
Continuous current through $V_{CC}$ or GND terminals	$\pm 100$ mA
Package thermal impedance, $\theta_{JA}$ (see Note 5)	31.8°C/W
Storage temperature range, $T_{stg}$	-65°C to 150°C

† Stresses beyond those listed under “absolute maximum ratings” may cause permanent damage to the device. These are stress ratings only, and functional operation of the device at these or any other conditions beyond those indicated under “recommended operating conditions” is not implied. Exposure to absolute-maximum-rated conditions for extended periods may affect device reliability.

- NOTES:
1. All voltages are with respect to ground, unless otherwise specified.
  2. The input and output voltage ratings may be exceeded if the input and output clamp-current ratings are observed.
  3.  $V_I$  and  $V_O$  are used to denote specific conditions for  $V_{I/O}$ .
  4.  $I_I$  and  $I_O$  are used to denote specific conditions for  $I_{I/O}$ .
  5. The package thermal impedance is calculated in accordance with JESD 51-7.

### recommended operating conditions (see Note 6)

		MIN	MAX	UNIT
$V_{CC}$	Supply voltage	3	3.6	V
$V_{IH}$	High-level control input voltage (SEL)	2	5.5	V
$V_{IL}$	Low-level control input voltage (SEL)	0	0.8	V
$V_{I/O}$	Input/output voltage	0	5.5	V
$T_A$	Operating free-air temperature	-40	85	°C

NOTE 6: All unused control inputs of the device must be held at  $V_{CC}$  or GND to ensure proper device operation. Refer to the TI application report, *Implications of Slow or Floating CMOS Inputs*, literature number SCBA004.



# TS3L500

## 16-BIT TO 8-BIT SPDT GIGABIT LAN SWITCH WITH LED SWITCH

SCDS212B – SEPTEMBER 2005 – REVISED APRIL 2006

**electrical characteristics for 1000 Base-T ethernet switching over recommended operating free-air temperature range,  $V_{CC} = 3.3\text{ V} \pm 0.3\text{ V}$  (unless otherwise noted)<sup>†</sup>**

PARAMETER		TEST CONDITIONS	MIN	TYP <sup>‡</sup>	MAX	UNIT
$V_{IK}$	SEL	$V_{CC} = 3.6\text{ V}$ , $I_{IN} = -18\text{ mA}$	-0.7	-1.2		V
$I_{IH}$	SEL	$V_{CC} = 3.6\text{ V}$ , $V_{IN} = V_{CC}$			$\pm 1$	$\mu\text{A}$
$I_{IL}$	SEL	$V_{CC} = 3.6\text{ V}$ , $V_{IN} = \text{GND}$			$\pm 1$	$\mu\text{A}$
$I_{CC}$		$V_{CC} = 3.6\text{ V}$ , $I_{I/O} = 0$ , Switch ON or OFF		250	500	$\mu\text{A}$
$C_{IN}$	SEL	$f = 1\text{ MHz}$ , $V_{IN} = 0$		2	2.5	pF
$C_{OFF}$	B port	$V_I = 0$ , $f = 1\text{ MHz}$ , Outputs open, Switch OFF		2.5	4	pF
$C_{ON}$		$V_I = 0$ , $f = 1\text{ MHz}$ , Outputs open, Switch ON		8	9	pF
$r_{on}$		$V_{CC} = 3\text{ V}$ , $1.5\text{ V} \leq V_I \leq V_{CC}$ , $I_O = -40\text{ mA}$		4	6	$\Omega$
$r_{on(\text{flat})}$ <sup>§</sup>		$V_{CC} = 3\text{ V}$ , $V_I = 1.5\text{ V}$ and $V_{CC}$ , $I_O = -40\text{ mA}$		0.5		$\Omega$
$\Delta r_{on}$ <sup>¶</sup>		$V_{CC} = 3\text{ V}$ , $1.5\text{ V} \leq V_I \leq V_{CC}$ , $I_O = -40\text{ mA}$		0.4	1	$\Omega$

<sup>†</sup>  $V_I$ ,  $V_O$ ,  $I_I$ , and  $I_O$  refer to I/O pins.  $V_{IN}$  refers to the control inputs.

<sup>‡</sup> All typical values are at  $V_{CC} = 3.3\text{ V}$  (unless otherwise noted),  $T_A = 25^\circ\text{C}$ .

<sup>§</sup>  $r_{on(\text{flat})}$  is the difference of  $r_{on}$  in a given channel at specified voltages.

<sup>¶</sup>  $\Delta r_{on}$  is the difference of  $r_{on}$  from center (A4, A5) ports to any other port.

**electrical characteristics for 10/100 Base-T ethernet switching over recommended operating free-air temperature range,  $V_{CC} = 3.3\text{ V} \pm 0.3\text{ V}$  (unless otherwise noted)<sup>†</sup>**

PARAMETER		TEST CONDITIONS	MIN	TYP <sup>‡</sup>	MAX	UNIT
$V_{IK}$	SEL	$V_{CC} = 3.6\text{ V}$ , $I_{IN} = -18\text{ mA}$	-0.7	-1.2		V
$I_{IH}$	SEL	$V_{CC} = 3.6\text{ V}$ , $V_{IN} = V_{CC}$			$\pm 1$	$\mu\text{A}$
$I_{IL}$	SEL	$V_{CC} = 3.6\text{ V}$ , $V_{IN} = \text{GND}$			$\pm 1$	$\mu\text{A}$
$I_{CC}$		$V_{CC} = 3.6\text{ V}$ , $I_{I/O} = 0$ , Switch ON or OFF		250	500	$\mu\text{A}$
$C_{IN}$	SEL	$f = 1\text{ MHz}$ , $V_{IN} = 0$		2	2.5	pF
$C_{OFF}$	B port	$V_I = 0$ , $f = 1\text{ MHz}$ , Outputs open, Switch OFF		2.5	4	pF
$C_{ON}$		$V_I = 0$ , $f = 1\text{ MHz}$ , Outputs open, Switch ON		8		pF
$r_{on}$		$V_{CC} = 3\text{ V}$ , $1.25\text{ V} \leq V_I \leq V_{CC}$ , $I_O = -10\text{ mA}$ to $-30\text{ mA}$		4	6	$\Omega$
$r_{on(\text{flat})}$ <sup>§</sup>		$V_{CC} = 3\text{ V}$ , $V_I = 1.25\text{ V}$ and $V_{CC}$ , $I_O = -10\text{ mA}$ to $-30\text{ mA}$		0.5		$\Omega$
$\Delta r_{on}$ <sup>¶</sup>		$V_{CC} = 3\text{ V}$ , $1.25\text{ V} \leq V_I \leq V_{CC}$ , $I_O = -10\text{ mA}$ to $-30\text{ mA}$		0.4	1	$\Omega$

<sup>†</sup>  $V_I$ ,  $V_O$ ,  $I_I$ , and  $I_O$  refer to I/O pins.  $V_{IN}$  refers to the control inputs.

<sup>‡</sup> All typical values are at  $V_{CC} = 3.3\text{ V}$  (unless otherwise noted),  $T_A = 25^\circ\text{C}$ .

<sup>§</sup>  $r_{on(\text{flat})}$  is the difference of  $r_{on}$  in a given channel at specified voltages.

<sup>¶</sup>  $\Delta r_{on}$  is the difference of  $r_{on}$  from center (A4, A5) ports to any other port.



# TS3L500

## 16-BIT TO 8-BIT SPDT GIGABIT LAN SWITCH WITH LED SWITCH

SCDS212B – SEPTEMBER 2005 – REVISED APRIL 2006

switching characteristics over recommended operating free-air temperature range,  
 $V_{CC} = 3.3\text{ V} \pm 0.3\text{ V}$ ,  $R_L = 200\ \Omega$ ,  $C_L = 10\text{ pF}$  (unless otherwise noted) (see Figures 4 and 5)

PARAMETER	FROM (INPUT)	TO (OUTPUT)	MIN	TYP†	MAX	UNIT
$t_{pd}‡$	A or B	B or A		0.25		ns
$t_{PZH}$ , $t_{PZL}$	SEL	A or B	0.5		15	ns
$t_{PHZ}$ , $t_{PLZ}$	SEL	A or B	0.9		9	ns
$t_{sk(o)}§$	A or B	B or A		50	100	ps
$t_{sk(p)}¶$				50	150	ps

† All typical values are at  $V_{CC} = 3.3\text{ V}$  (unless otherwise noted),  $T_A = 25^\circ\text{C}$ .

‡ The propagation delay is the calculated RC time constant of the typical ON-state resistance of the switch and the specified load capacitance when driven by an ideal voltage source (zero output impedance).

§ Output skew between center port (A<sub>4</sub> to A<sub>5</sub>) to any other port

¶ Skew between opposite transitions of the same output in a given device  $|t_{PHL} - t_{PLH}|$

dynamic characteristics over recommended operating free-air temperature range,  
 $V_{CC} = 3.3\text{ V} \pm 0.3\text{ V}$  (unless otherwise noted)

PARAMETER	TEST CONDITIONS	TYP†	UNIT
X <sub>TALK</sub>	$R_L = 100\ \Omega$ , $f = 250\text{ MHz}$ , See Figure 8	-37	dB
O <sub>IRR</sub>	$R_L = 100\ \Omega$ , $f = 250\text{ MHz}$ , See Figure 9	-37	dB
BW	$R_L = 100\ \Omega$ , See Figure 7	1100	MHz

† All typical values are at  $V_{CC} = 3.3\text{ V}$  (unless otherwise noted),  $T_A = 25^\circ\text{C}$ .



OPERATING CHARACTERISTICS

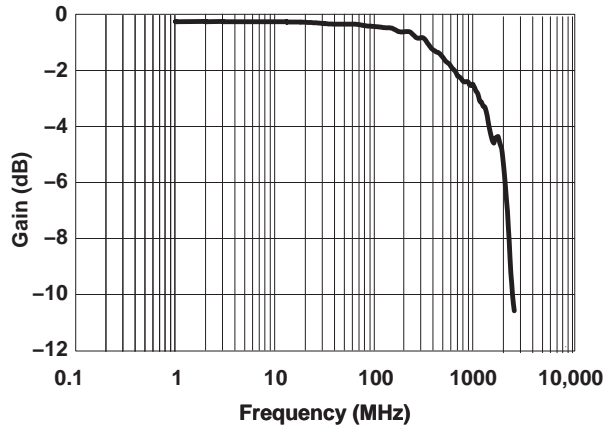


Figure 1. Gain vs Frequency

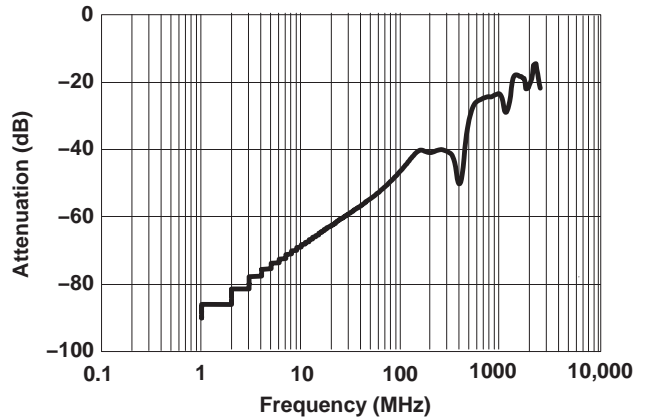


Figure 2. OFF Isolation vs Frequency

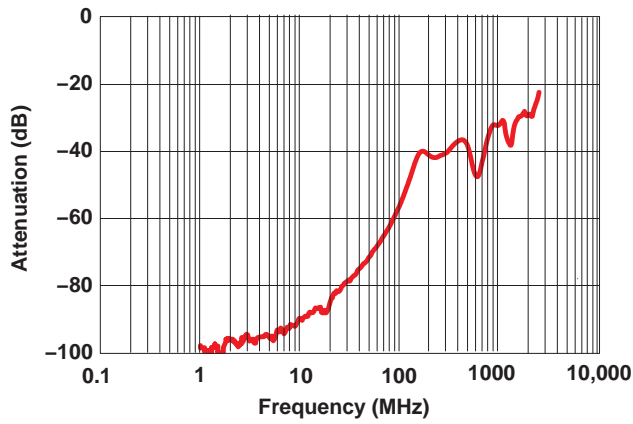


Figure 3. Crosstalk vs Frequency

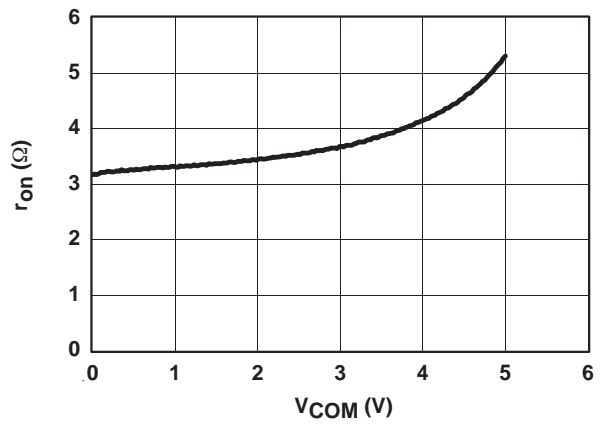
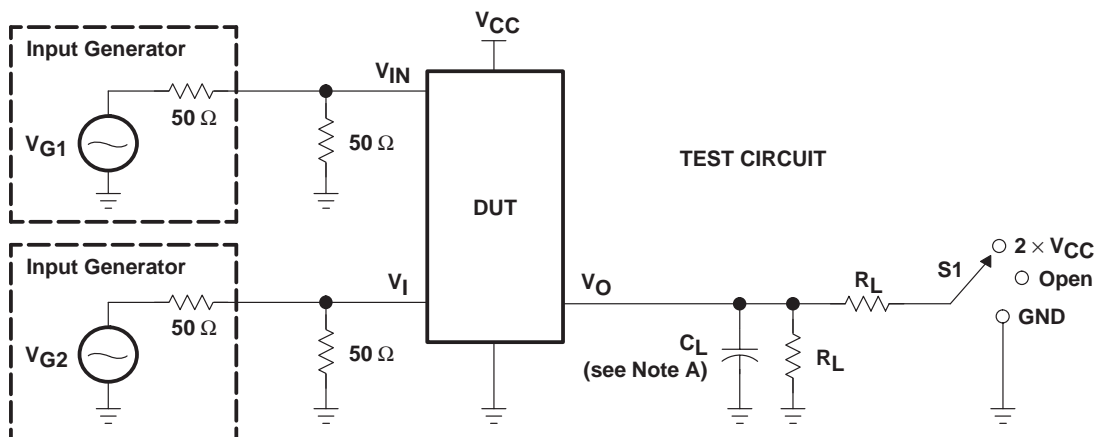


Figure 4.  $r_{on}$  ( $\Omega$ ) vs  $V_{com}$  (V)

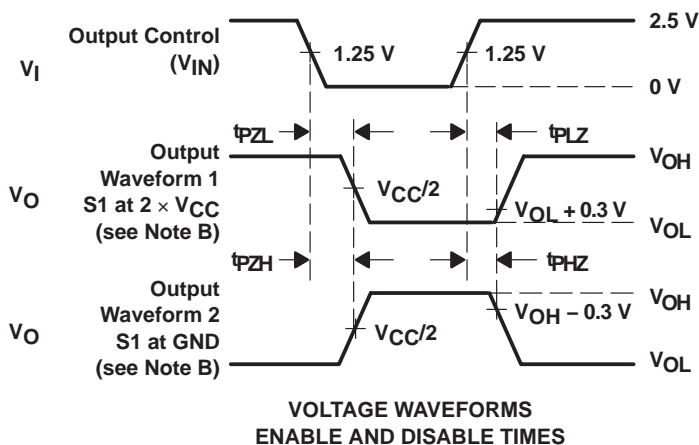
# TS3L500 16-BIT TO 8-BIT SPDT GIGABIT LAN SWITCH WITH LED SWITCH

SCDS212B – SEPTEMBER 2005 – REVISED APRIL 2006

## PARAMETER MEASUREMENT INFORMATION Enable and Disable Times



TEST	V <sub>CC</sub>	S1	R <sub>L</sub>	V <sub>in</sub>	C <sub>L</sub>	V <sub>Δ</sub>
t <sub>PLZ</sub> /t <sub>PZL</sub>	3.3 V ± 0.3 V	2 × V <sub>CC</sub>	200 Ω	GND	10 pF	0.3 V
t <sub>PHZ</sub> /t <sub>PZH</sub>	3.3 V ± 0.3 V	GND	200 Ω	V <sub>CC</sub>	10 pF	0.3 V

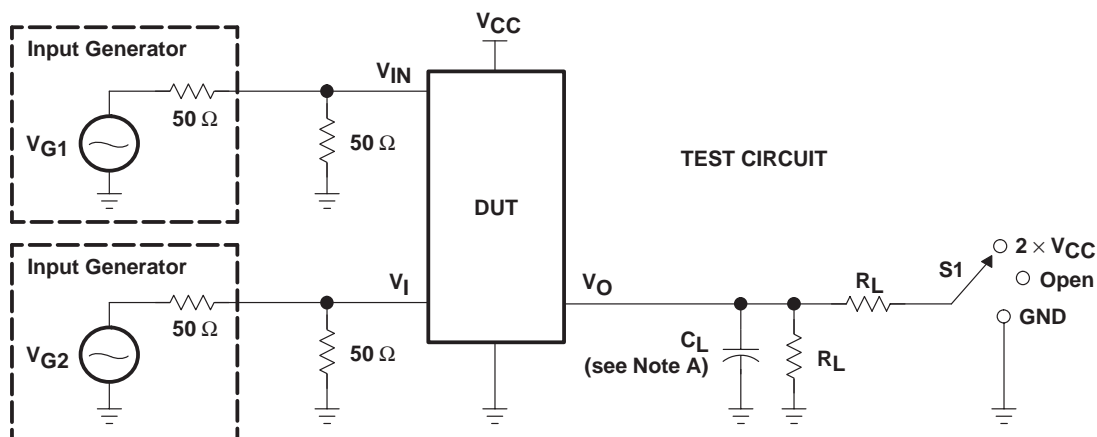


- NOTES: A. C<sub>L</sub> includes probe and jig capacitance.  
 B. Waveform 1 is for an output with internal conditions such that the output is low, except when disabled by the output control. Waveform 2 is for an output with internal conditions such that the output is high, except when disabled by the output control.  
 C. All input pulses are supplied by generators having the following characteristics: PRR ≤ 10 MHz, Z<sub>O</sub> = 50 Ω, t<sub>r</sub> ≤ 2.5 ns, t<sub>f</sub> ≤ 2.5 ns.  
 D. The outputs are measured one at a time, with one transition per measurement.  
 E. t<sub>PLZ</sub> and t<sub>PHZ</sub> are the same as t<sub>dis</sub>.  
 F. t<sub>PZL</sub> and t<sub>PZH</sub> are the same as t<sub>en</sub>.

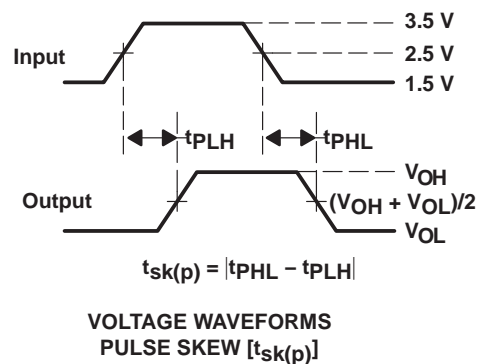
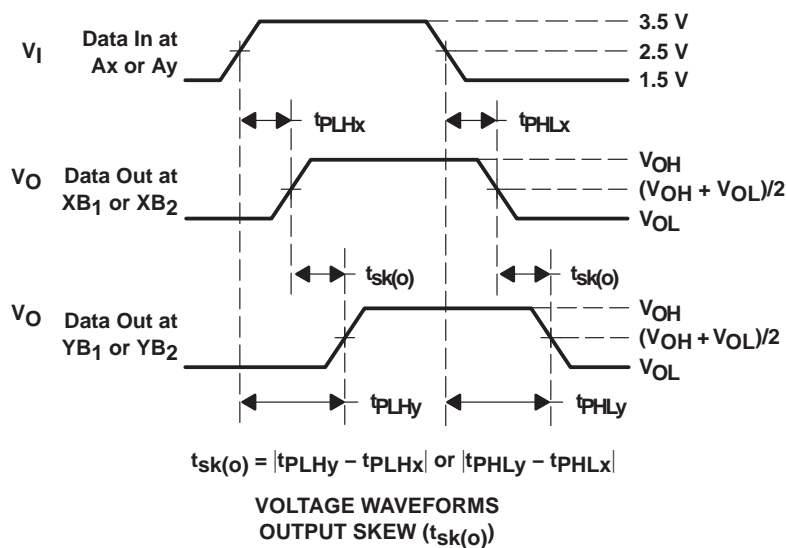
Figure 5. Test Circuit and Voltage Waveforms



**PARAMETER MEASUREMENT INFORMATION**  
**Skew**



TEST	V <sub>CC</sub>	S1	R <sub>L</sub>	V <sub>in</sub>	C <sub>L</sub>
t <sub>sk(o)</sub>	3.3 V ± 0.3 V	Open	200 Ω	V <sub>CC</sub> or GND	10 pF
t <sub>sk(p)</sub>	3.3 V ± 0.3 V	Open	200 Ω	V <sub>CC</sub> or GND	10 pF



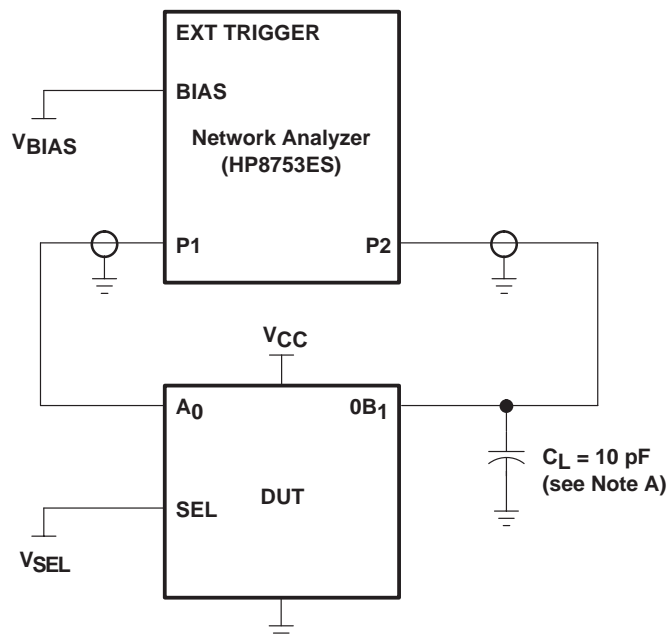
- NOTES: A. C<sub>L</sub> includes probe and jig capacitance.  
 B. Waveform 1 is for an output with internal conditions such that the output is low, except when disabled by the output control. Waveform 2 is for an output with internal conditions such that the output is high, except when disabled by the output control.  
 C. All input pulses are supplied by generators having the following characteristics: PRR ≤ 10 MHz, Z<sub>O</sub> = 50 Ω, t<sub>r</sub> ≤ 2.5 ns, t<sub>f</sub> ≤ 2.5 ns.  
 D. The outputs are measured one at a time, with one transition per measurement.

**Figure 6. Test Circuit and Voltage Waveforms**

# TS3L500 16-BIT TO 8-BIT SPDT GIGABIT LAN SWITCH WITH LED SWITCH

SCDS212B – SEPTEMBER 2005 – REVISED APRIL 2006

## PARAMETER MEASUREMENT INFORMATION



NOTE A:  $C_L$  includes probe and jig capacitance.

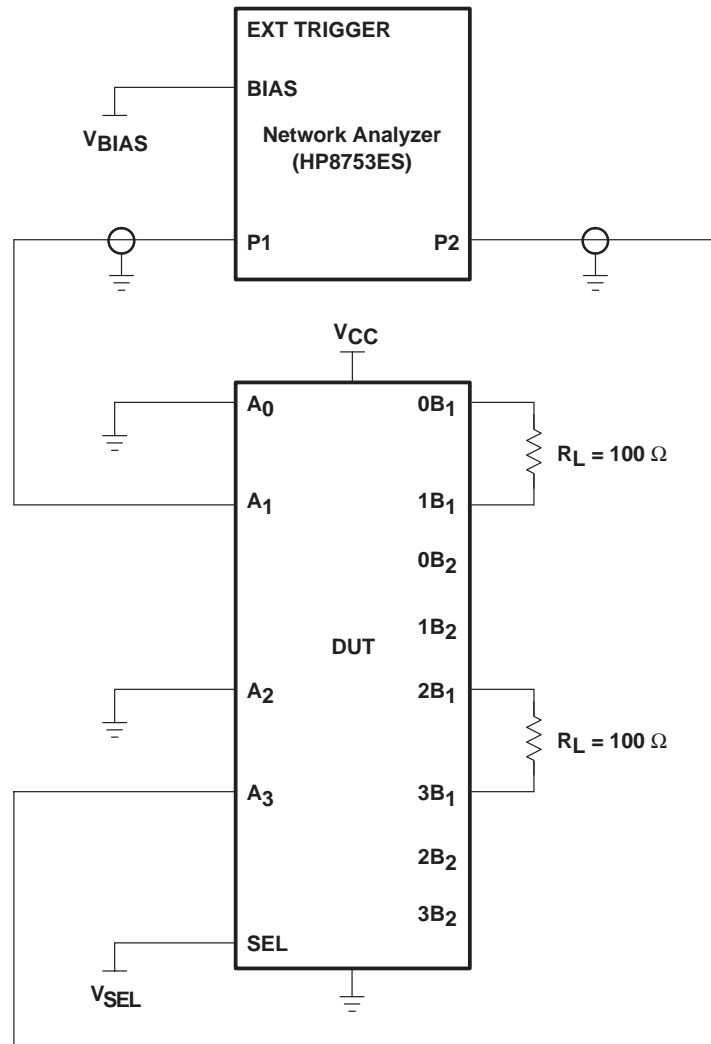
**Figure 7. Test Circuit for Frequency Response (BW)**

Frequency response is measured at the output of the ON channel. For example, when  $V_{SEL} = 0$  and  $A_0$  is the input, the output is measured at  $OB_1$ . All unused analog I/O ports are left open.

### HP8753ES setup

Average = 4  
RBW = 3 kHz  
 $V_{BIAS} = 0.35$  V  
ST = 2 s  
P1 = 0 dBm

**PARAMETER MEASUREMENT INFORMATION**



- NOTES: A.  $C_L$  includes probe and jig capacitance.  
 B. A 50- $\Omega$  termination resistor is needed to match the loading of the network analyzer.

**Figure 8. Test Circuit for Crosstalk ( $X_{TALK}$ )**

Crosstalk is measured at the output of the nonadjacent ON channel. For example, when  $V_{SEL} = 0$  and  $A_0$  is the input, the output is measured at  $1B_1$ . All unused analog input (A) ports are connected to GND, and output (B) ports are connected to GND through 50- $\Omega$  pulldown resistors.

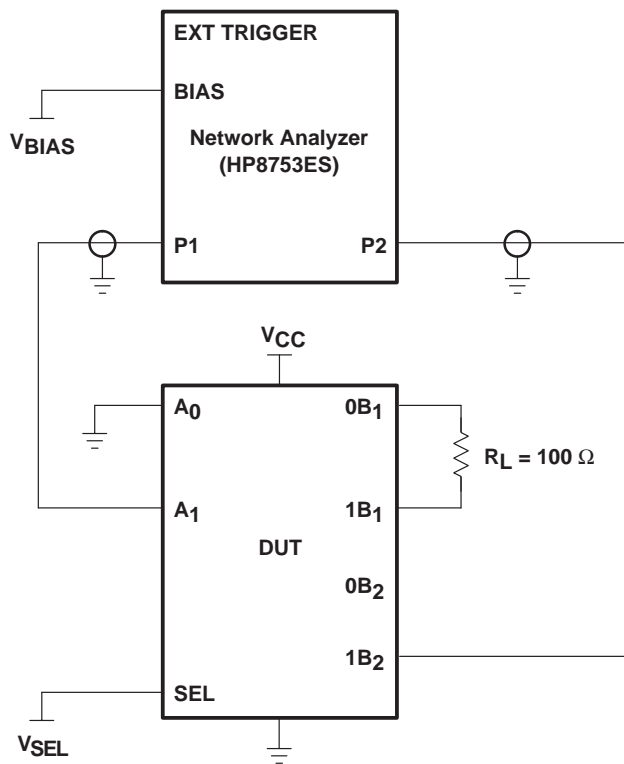
**HP8753ES setup**

- Average = 4
- RBW = 3 kHz
- $V_{BIAS} = 0.35$  V
- ST = 2 s
- P1 = 0 dBm

# TS3L500 16-BIT TO 8-BIT SPDT GIGABIT LAN SWITCH WITH LED SWITCH

SCDS212B – SEPTEMBER 2005 – REVISED APRIL 2006

## PARAMETER MEASUREMENT INFORMATION



- NOTES: A.  $C_L$  includes probe and jig capacitance.  
B. A 50- $\Omega$  termination resistor is needed to match the loading of the network analyzer.

**Figure 9. Test Circuit for OFF Isolation ( $O_{IRR}$ )**

OFF isolation is measured at the output of the OFF channel. For example, when  $V_{SEL} = V_{CC}$  and  $A_0$  is the input, the output is measured at  $0B_2$ . All unused analog input (A) ports are left open, and output (B) ports are connected to GND through 50- $\Omega$  pull-down resistors.

### HP8753ES setup

Average = 4  
RBW = 3 kHz  
 $V_{BIAS} = 0.35$  V  
ST = 2 s  
P1 = 0 dBm

**PACKAGING INFORMATION**

Orderable Device	Status (1)	Package Type	Package Drawing	Pins	Package Qty	Eco Plan (2)	Lead/Ball Finish (6)	MSL Peak Temp (3)	Op Temp (°C)	Device Marking (4/5)	Samples
TS3L500RHUR	ACTIVE	WQFN	RHU	56	2000	Green (RoHS & no Sb/Br)	NIPDAUAG	Level-1-260C-UNLIM	-40 to 85	TK500	<a href="#">Samples</a>
TS3L500RHURG4	ACTIVE	WQFN	RHU	56	2000	Green (RoHS & no Sb/Br)	NIPDAUAG	Level-1-260C-UNLIM	-40 to 85	TK500	<a href="#">Samples</a>

(1) The marketing status values are defined as follows:

**ACTIVE:** Product device recommended for new designs.

**LIFEBUY:** TI has announced that the device will be discontinued, and a lifetime-buy period is in effect.

**NRND:** Not recommended for new designs. Device is in production to support existing customers, but TI does not recommend using this part in a new design.

**PREVIEW:** Device has been announced but is not in production. Samples may or may not be available.

**OBsolete:** TI has discontinued the production of the device.

(2) **RoHS:** TI defines "RoHS" to mean semiconductor products that are compliant with the current EU RoHS requirements for all 10 RoHS substances, including the requirement that RoHS substance do not exceed 0.1% by weight in homogeneous materials. Where designed to be soldered at high temperatures, "RoHS" products are suitable for use in specified lead-free processes. TI may reference these types of products as "Pb-Free".

**RoHS Exempt:** TI defines "RoHS Exempt" to mean products that contain lead but are compliant with EU RoHS pursuant to a specific EU RoHS exemption.

**Green:** TI defines "Green" to mean the content of Chlorine (Cl) and Bromine (Br) based flame retardants meet JS709B low halogen requirements of <=1000ppm threshold. Antimony trioxide based flame retardants must also meet the <=1000ppm threshold requirement.

(3) MSL, Peak Temp. - The Moisture Sensitivity Level rating according to the JEDEC industry standard classifications, and peak solder temperature.

(4) There may be additional marking, which relates to the logo, the lot trace code information, or the environmental category on the device.

(5) Multiple Device Markings will be inside parentheses. Only one Device Marking contained in parentheses and separated by a "~" will appear on a device. If a line is indented then it is a continuation of the previous line and the two combined represent the entire Device Marking for that device.

(6) Lead/Ball Finish - Orderable Devices may have multiple material finish options. Finish options are separated by a vertical ruled line. Lead/Ball Finish values may wrap to two lines if the finish value exceeds the maximum column width.

**Important Information and Disclaimer:**The information provided on this page represents TI's knowledge and belief as of the date that it is provided. TI bases its knowledge and belief on information provided by third parties, and makes no representation or warranty as to the accuracy of such information. Efforts are underway to better integrate information from third parties. TI has taken and continues to take reasonable steps to provide representative and accurate information but may not have conducted destructive testing or chemical analysis on incoming materials and chemicals. TI and TI suppliers consider certain information to be proprietary, and thus CAS numbers and other limited information may not be available for release.

In no event shall TI's liability arising out of such information exceed the total purchase price of the TI part(s) at issue in this document sold by TI to Customer on an annual basis.



## TAPE AND REEL INFORMATION



### QUADRANT ASSIGNMENTS FOR PIN 1 ORIENTATION IN TAPE



\*All dimensions are nominal

Device	Package Type	Package Drawing	Pins	SPQ	Reel Diameter (mm)	Reel Width W1 (mm)	A0 (mm)	B0 (mm)	K0 (mm)	P1 (mm)	W (mm)	Pin1 Quadrant
TS3L500RHUR	WQFN	RHU	56	2000	330.0	24.4	5.3	11.3	1.0	12.0	24.0	Q1

TAPE AND REEL BOX DIMENSIONS



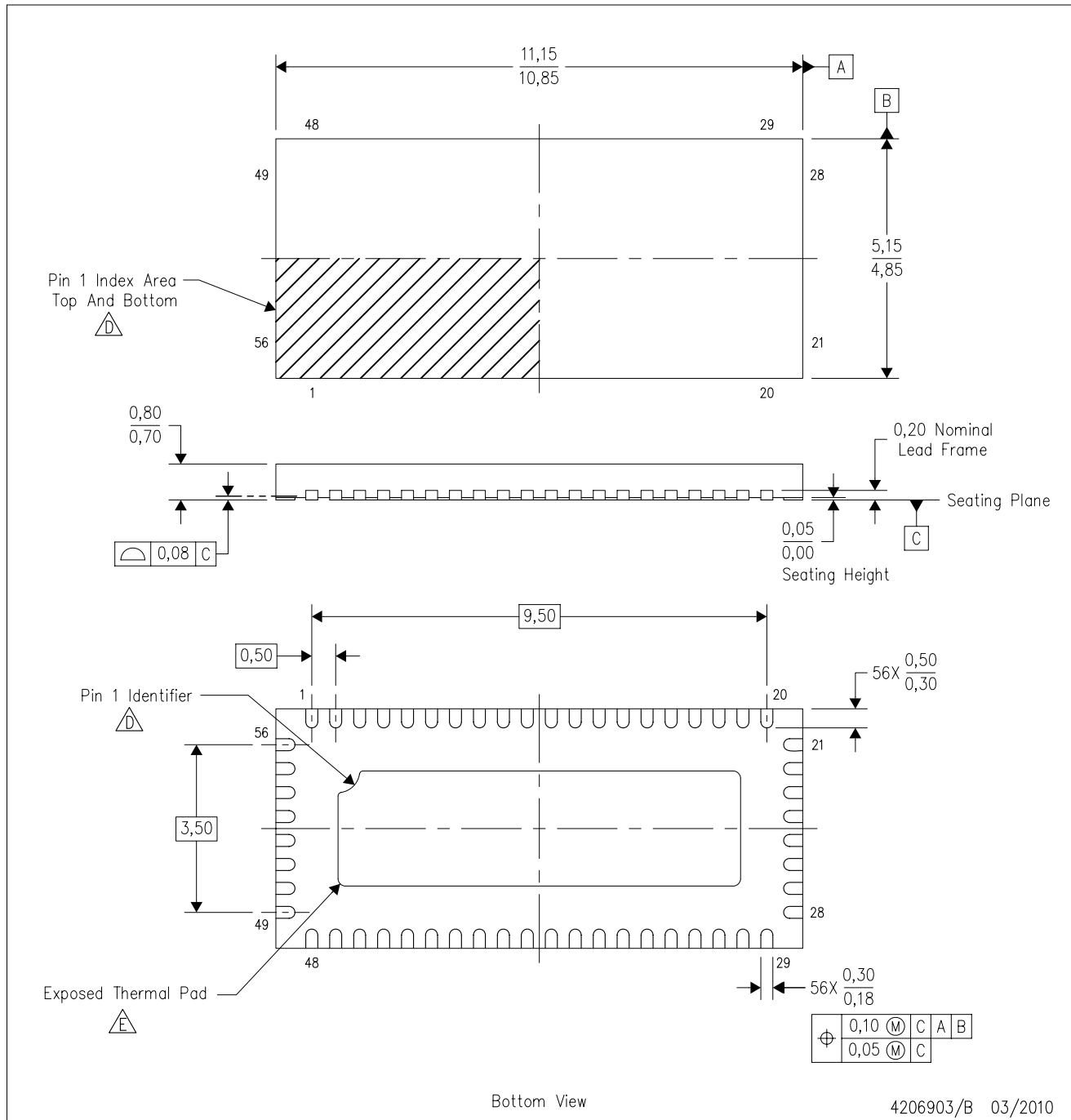
\*All dimensions are nominal



Device	Package Type	Package Drawing	Pins	SPQ	Length (mm)	Width (mm)	Height (mm)
TS3L500RHUR	WQFN	RHU	56	2000	346.0	346.0	35.0



RHU (R-PWQFN-N56)

PLASTIC QUAD FLATPACK NO-LEAD



- Notes:
- A. All linear dimensions are in millimeters. Dimensioning and tolerancing per ASME Y14.5M-1994.
  - B. This drawing is subject to change without notice.
  - C. QFN (Quad Flatpack No-Lead) package configuration.
  -  Pin 1 identifiers are located on both top and bottom of the package and within the zone indicated. The Pin 1 identifiers are either a molded, marked, or metal feature.
  -  The package thermal pad must be soldered to the board for thermal and mechanical performance.
  - F. JEDEC MO-220 package registration is pending.

## IMPORTANT NOTICE AND DISCLAIMER

TI PROVIDES TECHNICAL AND RELIABILITY DATA (INCLUDING DATASHEETS), DESIGN RESOURCES (INCLUDING REFERENCE DESIGNS), APPLICATION OR OTHER DESIGN ADVICE, WEB TOOLS, SAFETY INFORMATION, AND OTHER RESOURCES "AS IS" AND WITH ALL FAULTS, AND DISCLAIMS ALL WARRANTIES, EXPRESS AND IMPLIED, INCLUDING WITHOUT LIMITATION ANY IMPLIED WARRANTIES OF MERCHANTABILITY, FITNESS FOR A PARTICULAR PURPOSE OR NON-INFRINGEMENT OF THIRD PARTY INTELLECTUAL PROPERTY RIGHTS.

These resources are intended for skilled developers designing with TI products. You are solely responsible for (1) selecting the appropriate TI products for your application, (2) designing, validating and testing your application, and (3) ensuring your application meets applicable standards, and any other safety, security, or other requirements. These resources are subject to change without notice. TI grants you permission to use these resources only for development of an application that uses the TI products described in the resource. Other reproduction and display of these resources is prohibited. No license is granted to any other TI intellectual property right or to any third party intellectual property right. TI disclaims responsibility for, and you will fully indemnify TI and its representatives against, any claims, damages, costs, losses, and liabilities arising out of your use of these resources.

TI's products are provided subject to TI's Terms of Sale ([www.ti.com/legal/termsofsale.html](http://www.ti.com/legal/termsofsale.html)) or other applicable terms available either on [ti.com](http://ti.com) or provided in conjunction with such TI products. TI's provision of these resources does not expand or otherwise alter TI's applicable warranties or warranty disclaimers for TI products.

Mailing Address: Texas Instruments, Post Office Box 655303, Dallas, Texas 75265  
Copyright © 2020, Texas Instruments Incorporated