

**LUMOTAST 75 IP40 - Illuminated pushbutton, flush lens,  
square collar, momentary, housing**  
**1.15.108.251/0000**



#### General information

Form of lens	flat lens
Form of collar	square
Color of collar	black

#### Dimensions

Length of collar	18 mm
Width of collar	18 mm
Overall height	7.5 mm
Mounting depth	41.5/49.5/57.5 mm
Mounting hole	16.2 mm

#### Mechanical design

Mounting	ring nut
Terminals	solder terminals
Contact system	snap-action bridge contact
Contact function	momentary
Contact arrangement	1 NC + 1 NO
Contact materials	Ag
Illumination	LED
Lamp socket	T 4.5

#### Mechanical characteristics

Operating force max.	3 ... 6.5 N
Operating travel	2.7 mm
Switching travel NC	1.6 mm
Switching travel NO	0.9 mm
Robustness max.	100 N

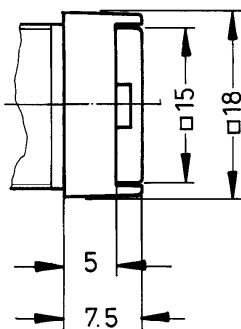
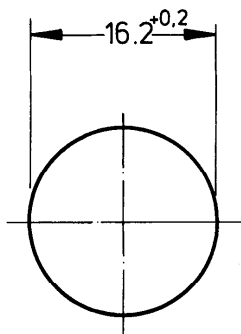
#### Electrical characteristics

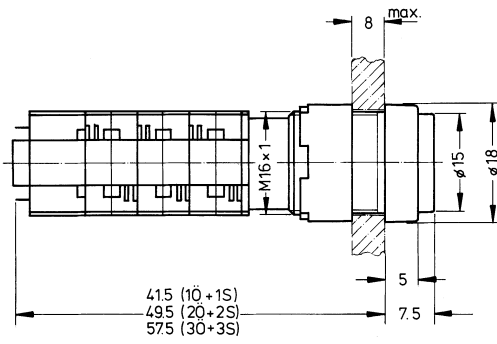
Rated voltage AC max.	250 V
Rated voltage DC max.	230 V
Rated voltage AC/DC min.	12 V
Rated current AC max.	4 A
Rated current DC max.	0.2 A
Rated current AC/DC min.	5 mA
Contact resistance acc. to life max.	200 mΩ
Protection class	II
ESD-strength min.	14 kV

## Other specifications

Operating life, at 250 V/2 A (operations)	200,000 (momentary) cycle
Operating life, at 250 V/4 A (operations)	60,000 (momentary), 10,000 (latching)
Degree of protection from front side	IP40 (DIN EN 60529)
Operation temperature min.	-25 °C
Ambient temp. operating max. without lamp / LED	+70 °C
Ambient temp. operating max. with lamp /LED	+55 °C
Storage temperature min.	-40 °C
Storage temperature max.	+80 °C
Environmental resistance	acc. to IEC 60068-2-14, -30, -33 and -78
Approvals	ENEC 25 T 55 (70), UL, CSA
Hot wire ignition acc. to IEC 60695-2-1	yes
ROHS compliant	yes
REACH compliant	yes

## Mounting hole





# Mouser Electronics

Authorized Distributor

Click to View Pricing, Inventory, Delivery & Lifecycle Information:

[RAFI:](#)

[1.15.108.251/0000](#)