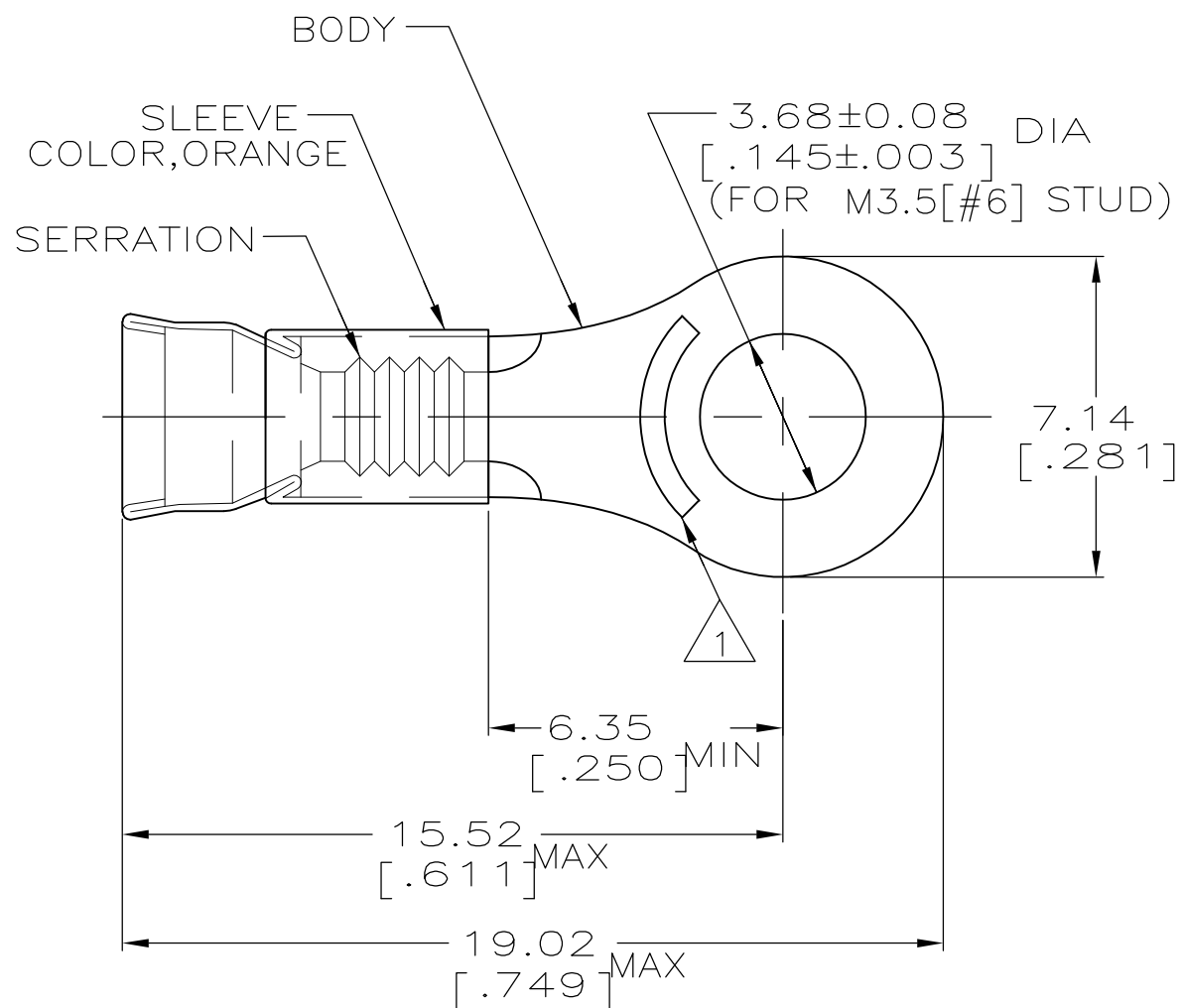


THIS DRAWING IS UNPUBLISHED. RELEASED FOR PUBLICATION
 © COPYRIGHT - By - ALL RIGHTS RESERVED.

| LOC | DIST | REVISIONS | | | | | |
|-----|------|-----------|-----|---------------------------|---------|-----|------|
| | | P | LTR | DESCRIPTION | DATE | DWN | APVD |
| G | 14 | | F2 | REVISED PER ECO-12-003796 | 28FEB12 | KH | DR |



- 1 22-18 STAMP AMP APPROX AS SHOWN
22-16 TERMINALS ARE STAMPED 22-18 IN ACCORDANCE WITH MILITARY SPEC SAE AS7928
COMMERCIAL WIRE RANGE IS 22-16
- 2 WIRE INSUL DIA, 2.67-3.56[.105-.140]
- 3 TONGUE MATL THK, 0.79±0.05[.031±.002]
- 4 BODY: GOLD PLATE 0.00127[.000050]MIN EXT. THK PER ASTM B488, TYPE 1, CODE C OVER NICKEL FLASH PER SAE AMS QQ-N-290 OVER WOODS NICKEL FLASH PER ASTM B558.
- 5 NOTE DELETED.

| | | | | |
|--------------------|--------|------|--------------|----------|
| 260°C [500°F] | 4 | 1000 | LOOSE PIECE | 321892-1 |
| 649°C [1200°F] | - | 1000 | LOOSE PIECE | 321892 |
| MAX OPERATING TEMP | FINISH | QTY | PACKAGE TYPE | PART NO |

| | | | | | | | | | | | |
|----------------------------------------------------------------------------------|----------------------------------------------|--------------------------------------------------------------------------------------------|----------------------------------------|----------------------------------------|-------------------------------------------------------------------------------------------------|--------------------------------------------------------------------------------------------------------|--------------|-----------------|-----------|------------------------------|------|
| AMP INCORPORATED CUSTOMER SERVICE SYSTEM | | MAX RECOMMENDED OPERATING TEMPERATURE: SEE TABLE | THIS DRAWING IS A CONTROLLED DOCUMENT. | | DWN L OLMEDA 10OCT94 | TE Connectivity NAME TERMINAL, RING TONGUE, STRATOTHERM, DIAMOND GRIP, WIRE SIZE: 22-16AWG | | | | | |
| FOR ADDITIONAL PRODUCT INFORMATION OR COPIES OF DRAWINGS AND TECHNICAL DOCUMENTS | PRODUCT INFORMATION CENTER 1-800-522-6752 | VOLTAGE RATING: - | DIMENSIONS: mm [INCHES] | TOLERANCES UNLESS OTHERWISE SPECIFIED: | CHK M ELLIS 10OCT94 | | | | | APVD S BORTNER 10OCT94 | SIZE |
| FOR APPLICATION TOOLING INFORMATION | TOOLING ASSISTANCE CENTER 1-800-722-1111 | CIRCULAR MIL AREA: 0.26mm ² -1.65mm ² [509-3260] STRANDED WIRE | | | 0 PLC ± - 1 PLC ± - 2 PLC ± 0.20 [.008] 3 PLC ± - 4 PLC ± - ANGLES ± - FINISH | PRODUCT SPEC - | WEIGHT - | A3 | 00779 | C-321892 | - |
| FOR ORDER ENTRY | 1-800-526-5142 | MATERIAL BODY, NI PER ASTM B162 SLEEVE, NI SIL PER ASTM B122 | SEE TABLE | | CUSTOMER DRAWING | | SCALE 6:1 | SHEET 1 OF 1 | REV F2 | | |

Mouser Electronics

Authorized Distributor

Click to View Pricing, Inventory, Delivery & Lifecycle Information:

[TE Connectivity:](#)

[321892](#)