

# Cree® LMD125 LED Module Drivers



## PRODUCT DESCRIPTION

Cree LED modules provide lighting designers and manufacturers with simple, easy-to-adopt LED lighting solutions that reduce luminaire development time and speed time-to-market. Cree LMD125 LED module drivers are specifically designed to work with the Cree LMH2 850- and 1250-lumen light sources to jump-start the design process for recessed downlights, wall sconces or pendant lights in demanding end markets such as retail, museums, hospitality and restaurants.

## FEATURES

- Input voltages options: 100-120 V, 230 V & 277 V
- TRIAC dimming support for 100-120 V and 230 V options
- Optimized for Cree LMH2 850-lm & 1250-lm light sources
- LMD125 100-120 V driver is PSE certified

## TABLE OF CONTENTS

|  |    |
|--|----|
| Order Codes.....                                   | 2  |
| Characteristics - LMD125 100- to 120-V Driver..... | 2  |
| Characteristics - LMD125 230-V Driver .....        | 2  |
| Characteristics - LMD125 277-V Driver .....        | 3  |
| Dimming .....                                      | 3  |
| Mechanical Dimensions .....                        | 8  |
| Wiring Diagrams.....                               | 9  |
| Thermal Design.....                                | 10 |
| Emergency Battery Operation .....                  | 11 |
| Safety and Regulatory Notes.....                   | 11 |
| Packaging.....                                     | 12 |

**ORDER CODES**

| Nominal Input Voltage (VAC) | Frequency (Hz) | Typical Output Current (mA) | Dimming | Order Code               |
|-----------------------------|----------------|-----------------------------|---------|--------------------------|
| 100-120                     | 50/60          | 440                         | TRIAC   | LMD125-0018-C440-1010000 |
| 230                         | 50/60          | 440                         | TRIAC   | LMD125-0018-C440-2010000 |
| 277                         | 60             | 440                         | N/A     | LMD125-0017-C440-3000000 |

**CHARACTERISTICS - LMD125 100- TO 120-V DRIVER**

Order Code: LMD125-0018-C440-1010000

| Characteristics  | Unit | Minimum | Typical | Maximum |
|--|------|---------|---------|---------|
| Input voltage range  | VAC  | 90      | 120     | 132     |
| Input power  | W    |         |         | 18      |
| Output current   | mA   |         | 440     |         |
| Output voltage   | V    | 21      |         | 35      |
| Driver efficacy (@ 55 °C) - with LMH2 850-lm light source  | %    |         | 80      |         |
| Driver efficacy (@ 55 °C) - with LMH2 1250-lm light source | %    |         | 81      |         |
| Power factor - with LMH2 850-lm light source               |      |         | 0.97    |         |
| Power factor - with LMH2 1250-lm light source              |      |         | 0.99    |         |
| LED driver case temperature                                | °C   | 0       |         | 80      |

**CHARACTERISTICS - LMD125 230-V DRIVER**

Order Code: LMD125-0018-C440-2010000

| Characteristics  | Unit | Minimum | Typical | Maximum |
|--|------|---------|---------|---------|
| Input voltage range  | VAC  | 207     | 230     | 253     |
| Input power  | W    |         |         | 18      |
| Output current   | mA   |         | 440     |         |
| Output voltage   | V    |         |         | 37      |
| Driver efficacy (@ 55 °C) - with LMH2 850-lm light source  | %    |         | 80      |         |
| Driver efficacy (@ 55 °C) - with LMH2 1250-lm light source | %    |         | 81      |         |
| Power factor - with LMH2 850-lm light source               |      |         | 0.90    |         |
| Power factor - with LMH2 1250-lm light source              |      |         | 0.95    |         |
| LED driver case temperature                                | °C   | 0       |         | 80      |

- 3-D models (.STEP files) for the LMD125 LED module drivers are available on the Cree website by selecting the Documentation tab on the [LMH2 product page](#).

## CHARACTERISTICS - LMD125 277-V DRIVER

Order Code: LMD125-0017-C440-3000000

| Characteristics  | Unit | Minimum | Typical | Maximum |
|--|------|---------|---------|---------|
| Input voltage range  | VAC  | 249     | 277     | 305     |
| Input power  | W    |         |         | 17      |
| Output current   | mA   |         | 440     |         |
| Output voltage   | V    | 21      |         | 35      |
| Driver efficacy (@ 55 °C) - with LMH2 850-lm light source  | %    |         | 84      |         |
| Driver efficacy (@ 55 °C) - with LMH2 1250-lm light source | %    |         | 84      |         |
| Power factor - with LMH2 850-lm light source               |      |         | 0.92    |         |
| Power factor - with LMH2 1250-lm light source              |      |         | 0.98    |         |
| LED driver case temperature                                | °C   | 0       |         | 80      |

- 3-D models (.STEP files) for the LMD125 LED module drivers are available on the Cree website by selecting the Documentation tab on the [LMH2 product page](#).

## DIMMING

The LMH2 850- and 1250-lm light sources combined with the LMD125 100- to 120-V and 230-V drivers work with standard leading- and trailing-edge dimming technologies to reduce light levels down to 5%.

| Driver | Input Voltage | Dimming | Lowest Light Level |
|--------|---------------|---------|--------------------|
| LMD125 | 100-120 V     | TRIAC   | 5%                 |
|        | 230 V         | TRIAC   | 5%                 |
|        | 277 V         | None    | -                  |

**Note** - Most residential dimmers are designed to control 600 to 1000 watts of power with standard lighting technologies, i.e., incandescent and halogen. Because the LMH2 LED module has a much higher efficacy (lumens per watt) than standard lighting fixtures, it requires much less power. There may be some cases that require the use of more than one LMH2 LED module or lighting fixture on a single dimmer to achieve the minimum dimmer load. This depends heavily upon the particular dimmer used. Partial lists of compatible dimmers are provided below.

### 100-VAC Dimmer Compatibility with WhiteLight Dimming

| Manufacturer | Model/Series | Part Number | Type    | Compatible with 1 LMH2 | Compatible with 2 LMH2s | Compatible with 3 LMH2s |
|--------------|--------------|-------------|---------|------------------------|-------------------------|-------------------------|
| Cooper       |              | 6020        | IND     | ✓                      | ✓                       | ✓                       |
|              |              | DI10P       | IND     | ✓                      | ✓                       | ✓                       |
|              |              | SI061-V     | IND     | ✓                      | ✓                       | ✓                       |
|              |              | SLC03P      | CFL/IND | ✓                      | ✓                       | ✓                       |

| Manufacturer | Model/Series     | Part Number | Type            | Compatible with 1 LMH2 | Compatible with 2 LMH2s | Compatible with 3 LMH2s |   |
|--------------|------------------|-------------|-----------------|------------------------|-------------------------|-------------------------|---|
| Leviton      | Acenti           | ACE06       | ELV             | ✓                      | ✓                       | ✓                       |   |
|              | Acenti           | AT106-1LW   | IND             | ✓                      | ✓                       | ✓                       |   |
|              | Decora           | 6631-LW     | IND             | ✓                      | ✓                       | ✓                       |   |
|              | Illumatech       | IPI06       | IND             | ✓                      | ✓                       | ✓                       |   |
|              | Illumatech       | IP110       | IND             | ✓                      | ✓                       | ✓                       |   |
|              | Mural            | MDE03-1     | ELV             | ✓                      | ✓                       | ✓                       |   |
|              | Vizia            | VP106       | IND             | ✓                      | ✓                       | ✓                       |   |
|              | Vizia            | VPE04       | IND             | ✓                      | ✓                       | ✓                       |   |
| Lutron       | Ceana            | CN-600P     | IND             | ✓                      | ✓                       | ✓                       |   |
|              | Ceana            | CNLV-V-600P | MLV             | ✓                      | ✓                       | ✓                       |   |
|              | Centurion        | C-600       | IND             | ✓                      | ✓                       | ✓                       |   |
|              | Decora           | HCM06-1DW   | IND/MLV         | ✓                      | ✓                       | ✓                       |   |
|              | Diva             | DV-10P      | IND             | ✓                      | ✓                       | ✓                       |   |
|              | Diva             | DV-600P     | IND             | ✓                      | ✓                       | ✓                       |   |
|              | Diva             | DVELV-300P  | ELV             | ✓                      | ✓                       | ✓                       |   |
|              | Diva             | DVLV-600P   | MLV             | ✓                      | ✓                       | ✓                       |   |
|              | Diva             | DVWCL-153DH | CFL/LED         | ✓                      | ✓                       | ✓                       |   |
|              | Faetra           | FAELV-500   | ELV             | ✓                      | ✓                       | ✓                       |   |
|              | Glyder           | GL-600M     | IND/HAL         | ✓                      | ✓                       | ✓                       |   |
|              | Lumea            | LG-603PG    | IND             | ✓                      | ✓                       | ✓                       |   |
|              | Lyneo            | LX-600PL    | IND             | ✓                      | ✓                       | ✓                       |   |
|              | Maestro          | MA-1000     | IND             |                        | ✓                       | ✓                       |   |
|              | Maestro          | MACL-153M   | CFL/LED         | ✓                      | ✓                       | ✓                       |   |
|              | Maestro          | MAELV-600   | MLV             | ✓                      | ✓                       | ✓                       |   |
|              | Maestro          | MAW-600     | IND             |                        | ✓                       | ✓                       |   |
|              | Nova             | N-600       | IND             | ✓                      | ✓                       | ✓                       |   |
|              | Nova             | NLV-1503P   | MLV             | ✓                      | ✓                       | ✓                       |   |
|              | Nova T           | NT-603P     | IND             | ✓                      | ✓                       | ✓                       |   |
|              | Nova T           | NTB-600     | IND             | ✓                      | ✓                       | ✓                       |   |
|              | Nova T           | NTELV-600   | ELV             | ✓                      | ✓                       | ✓                       |   |
|              | RadioRA2         | RRD-6NA     | IND/ELV/HAL/MLV | ✓                      | ✓                       |                         |   |
|              | Skylark          | S2-L        | INC/HAL         | ✓                      | ✓                       |                         |   |
|              | Skylark          | S-600       | IND             | ✓                      | ✓                       | ✓                       |   |
|              | Skylark          | SF-10P      | FLR             | ✓                      | ✓                       | ✓                       |   |
|              | Skylark          | SELV-300P   | ELV             | ✓                      | ✓                       | ✓                       |   |
|              | Skylark          | SLV-600P    | MLV             | ✓                      | ✓                       | ✓                       |   |
|              | Sureslide        | 6673-P      | CFL             | ✓                      | ✓                       | ✓                       |   |
|              | Toggler          | TG-600PR-W4 | IND/MLV         | ✓                      | ✓                       | ✓                       |   |
|              | Pass and Seymour |             | 90680-W         | IND                    | ✓                       | ✓                       | ✓ |
|              |                  |             | LS600           | IND                    | ✓                       | ✓                       | ✓ |
| Wattstopper  |                  | MCD267-W    | UNI             | ✓                      | ✓                       | ✓                       |   |

CFL = Compact fluorescent dimmer  
 ELV = Electronic low-voltage dimmer

IND = Incandescent dimmer  
 LED = Light-emitting diode dimmer

FLR = Fluorescent dimmer

HAL = Halogen dimmer

MLV = Magnetic low-voltage dimmer

UNI = Universal dimmer

The presence of a dimmer in the above table is not a guarantee or warranty of the compatibility of the LMH2 product family in any particular installation. The absence of a dimmer from the tables does not necessarily imply incompatibility. Please refer to the dimmer manufacturer's instructions for installation and further product information.

**120-VAC Dimmer Compatibility with WhiteLight Dimming**

| Manufacturer | Model/Series | Part Number | Type            | Compatible with 1 LMH2 | Compatible with 2 LMH2s | Compatible with 3 LMH2s |
|--------------|--------------|-------------|-----------------|------------------------|-------------------------|-------------------------|
| Cooper       |              | 6020        | IND             | ✓                      | ✓                       | ✓                       |
|              |              | DI06-V      | IND             | ✓                      | ✓                       | ✓                       |
|              |              | DI10P       | IND             | ✓                      | ✓                       | ✓                       |
| Leviton      | Acenti       | ACE06       | ELV             | ✓                      | ✓                       | ✓                       |
|              | Acenti       | AT106-1LW   | IND             | ✓                      | ✓                       | ✓                       |
|              | Illumatech   | IPI06       | IND             | ✓                      | ✓                       | ✓                       |
|              | Illumatech   | IP110       | IND             | ✓                      | ✓                       | ✓                       |
|              | Mural        | MDE03-1     | ELV             | ✓                      | ✓                       | ✓                       |
|              | Vizia        | VP106       | IND             | ✓                      | ✓                       | ✓                       |
|              | Vizia        | VPE04       | IND             | ✓                      | ✓                       | ✓                       |
| Lutron       | Centurion    | C-600       | IND             | ✓                      | ✓                       | ✓                       |
|              | Decora       | HCM06-1DW   | IND/MLV         | ✓                      | ✓                       | ✓                       |
|              | Diva         | DV-10P      | IND             | ✓                      |                         |                         |
|              | Diva         | DV-600P     | IND             | ✓                      |                         |                         |
|              | Diva         | DVELV-300P  | ELV             | ✓                      | ✓                       | ✓                       |
|              | Diva         | DVF-103P    | FLR             | ✓                      | ✓                       | ✓                       |
|              | Diva         | DVLV-600P   | MLV             | ✓                      |                         |                         |
|              | Diva         | DVWCL-153DH | CFL/LED         | ✓                      | ✓                       | ✓                       |
|              | Faetra       | FAELV-500   | ELV             | ✓                      | ✓                       | ✓                       |
|              | Lyneo        | LX-600PL    | IND             | ✓                      | ✓                       | ✓                       |
|              | Maestro      | MA-1000     | IND             | ✓                      | ✓                       | ✓                       |
|              | Maestro      | MAELV-600   | MLV             | ✓                      | ✓                       | ✓                       |
|              | Nova         | NLV-1503P   | MLV             | ✓                      | ✓                       | ✓                       |
|              | Nova T       | NT-603P     | IND             | ✓                      | ✓                       | ✓                       |
|              | Nova T       | NTELV-600   | ELV             | ✓                      | ✓                       | ✓                       |
|              | RadioRA2     | RRD-6NA     | IND/ELV/HAL/MLV | ✓                      | ✓                       | ✓                       |
|              | RadioRA2     | RRD-10ND    | IND/HAL/MLV     | ✓                      | ✓                       | ✓                       |
|              | Skylark      | S-600       | IND             | ✓                      |                         |                         |
|              | Skylark      | SF-10P      | FLR             | ✓                      |                         |                         |
|              | Skylark      | SELV-300P   | ELV             | ✓                      | ✓                       | ✓                       |
|              | Skylark      | SLV-600P    | MLV             | ✓                      |                         |                         |
| Sureslide    | 6673-P       | CFL         | ✓               | ✓                      | ✓                       |                         |
| Toggler      | TG-600PR-W4  | IND/MLV     | ✓               | ✓                      | ✓                       |                         |

| Manufacturer     | Model/Series | Part Number | Type | Compatible with 1 LMH2 | Compatible with 2 LMH2s | Compatible with 3 LMH2s |
|------------------|--------------|-------------|------|------------------------|-------------------------|-------------------------|
| Pass and Seymour |              | 90680-W     | IND  | ✓                      | ✓                       | ✓                       |
|                  |              | LS600       | IND  | ✓                      | ✓                       | ✓                       |
| Wattstopper      |              | MCD267-W    | UNI  | ✓                      | ✓                       | ✓                       |

CFL = Compact fluorescent dimmer  
 ELV = Electronic low-voltage dimmer  
 FLR = Fluorescent dimmer  
 HAL = Halogen dimmer

IND = Incandescent dimmer  
 LED = Light-emitting diode dimmer  
 MLV = Magnetic low-voltage dimmer  
 UNI = Universal dimmer

The presence of a dimmer in the above table is not a guarantee or warranty of the compatibility of the LMH2 product family in any particular installation. The absence of a dimmer from the tables does not necessarily imply incompatibility. Please refer to the dimmer manufacturer's instructions for installation and further product information.

### 120-VAC Dimmer Compatibility with Sunset Dimming

| Manufacturer | Model/Series | Part Number | Type | Compatible with 1 LMH2 | Compatible with 2 LMH2s | Compatible with 3 LMH2s |
|--------------|--------------|-------------|------|------------------------|-------------------------|-------------------------|
| Leviton      | Illumatech   | IPE04-1LX   | ELV  | ✓                      | ✓                       | ✓                       |
| Lutron       | Diva         | DVELV-300P  | ELV  | ✓                      | ✓                       | ✓                       |
|              | Faedra       | FAELV-500   | ELV  | ✓                      | ✓                       | ✓                       |
|              | Maestro      | MAELV-600   | MLV  | ✓                      | ✓                       | ✓                       |
|              | Nova T       | NTELV-600   | ELV  | ✓                      | ✓                       | ✓                       |
|              | Skylark      | SELV-300P   | ELV  | ✓                      | ✓                       | ✓                       |

ELV = Electronic low-voltage dimmer

MLV = Magnetic low-voltage dimmer

The presence of a dimmer in the above table is not a guarantee or warranty of the compatibility of the LMH2 product family in any particular installation. The absence of a dimmer from the tables does not necessarily imply incompatibility. Please refer to the dimmer manufacturer's instructions for installation and further product information.

### 230-VAC Dimmer Compatibility with WhiteLight Dimming

| Manufacturer                | Model/Series | Part Number | Type          | Compatible with 1 LMH2 | Compatible with 2 LMH2s |
|-----------------------------|--------------|-------------|---------------|------------------------|-------------------------|
| 100 Million Beautiful Elec. | None         | None        | Leading edge  | ✓                      | ✓                       |
| Berker                      | Drehdimmer   | 2830 10     | Leading edge  | ✓                      | ✓                       |
| Busch-Jaeger                | 2247 U       | 6512-0-0057 | Leading edge  | ✓                      | ✓                       |
|                             | 2250 U       | 6515-0-0704 | Leading edge  | ✓                      | ✓                       |
|                             | 6513 U-102   | 6513-0-0568 | Trailing edge | ✓                      | ✓                       |
|                             | 6517 U-101   | 6517-0-0016 | Leading edge  | ✓                      | ✓                       |
| Clipsal                     | E30 System   | 32E450LM    | Leading edge  | ✓                      | ✓                       |
|                             | E2000        | E2031LPD600 | Leading edge  | ✓                      | ✓                       |
|                             | E30 System   | E32V500/2K  | Leading edge  | ✓                      | ✓                       |
|                             | Vivace       | KB31RD400   | Leading edge  | ✓                      | ✓                       |

| Manufacturer        | Model/Series  | Part Number   | Type          | Compatible with 1 LMH2 | Compatible with 2 LMH2s |
|---------------------|---------------|---------------|---------------|------------------------|-------------------------|
| Feller              | Drehdimmer    | 40383.BSE     | Leading edge  | ✓                      | ✓                       |
|                     | Drehdimmer    | 40600.RLC.BSE | UNI           | ✓                      | ✓                       |
|                     | Drehdimmer    | 40683.BSE     | Leading edge  | ✓                      | ✓                       |
| Flexalite           | None          | FD630D        | Leading edge  | ✓                      | ✓                       |
| Fung Yip Electrical | IEC 60669-2-1 | PT15625-2871  | Leading edge  | ✓                      | ✓                       |
| Futina              | D1            | None          | Leading edge  | ✓                      | ✓                       |
| Gira                | Glühlampen    | 0302 00 / I01 | Leading edge  | ✓                      | ✓                       |
|                     | System 2000   | 0305 00 / I04 | UNI           | ✓                      | ✓                       |
|                     | Glühlampen    | 0306 00 / I00 | Leading edge  | ✓                      | ✓                       |
|                     | Tronic        | 0307 00 / I02 | Trailing edge | ✓                      | ✓                       |
|                     | Glühlampen    | 1181 00 / I02 | Leading edge  | ✓                      | ✓                       |
|                     | Niedervolt    | 2262 00 / I00 | Leading edge  | ✓                      | ✓                       |
| HPM                 | 400T          | 050411/2/1A   | Trailing edge | ✓                      | ✓                       |
| Jung                | Glühlampen    | 211 GDE       | Leading edge  | ✓                      | ✓                       |
| Key-Top             | None          | AL-18         | Leading edge  | ✓                      | ✓                       |
|                     | None          | BP-81         | Leading edge  | ✓                      | ✓                       |
| KI                  | None          | None          | Leading edge  | ✓                      | ✓                       |
| Legrand             | Arteor        | 5740 08       | UNI           | ✓                      | ✓                       |
|                     | Arteor        | 5743 08       | UNI           | ✓                      | ✓                       |
|                     | PRO 21        | 7756 37       | UNI           | ✓                      | ✓                       |
|                     | PRO 21        | 7759 03       | Trailing edge | ✓                      | ✓                       |
| Leviton             | Trimatron     | 012-6602-220  | Leading edge  | ✓                      | ✓                       |
|                     | Excella       | K52-BLE04-2LW | Trailing edge | ✓                      | ✓                       |
|                     | Manhattan     | K02-BME04-2LW | Trailing edge | ✓                      | ✓                       |
| Lutron              | Lyneo         | LLSM-502      | Leading edge  | ✓                      | ✓                       |
| Mank                | None          | None          | Leading edge  | ✓                      | ✓                       |
| PDL                 | 600           | 634M          | Leading edge  | ✓                      | ✓                       |
| Siemens             | Glühlampen    | 5TC8 256      | Leading edge  | ✓                      | ✓                       |
|                     | µ-Contact     | 5TGO752-1NC1  | Leading edge  | ✓                      | ✓                       |
| Super               | None          | BP-600        | Leading edge  | ✓                      | ✓                       |

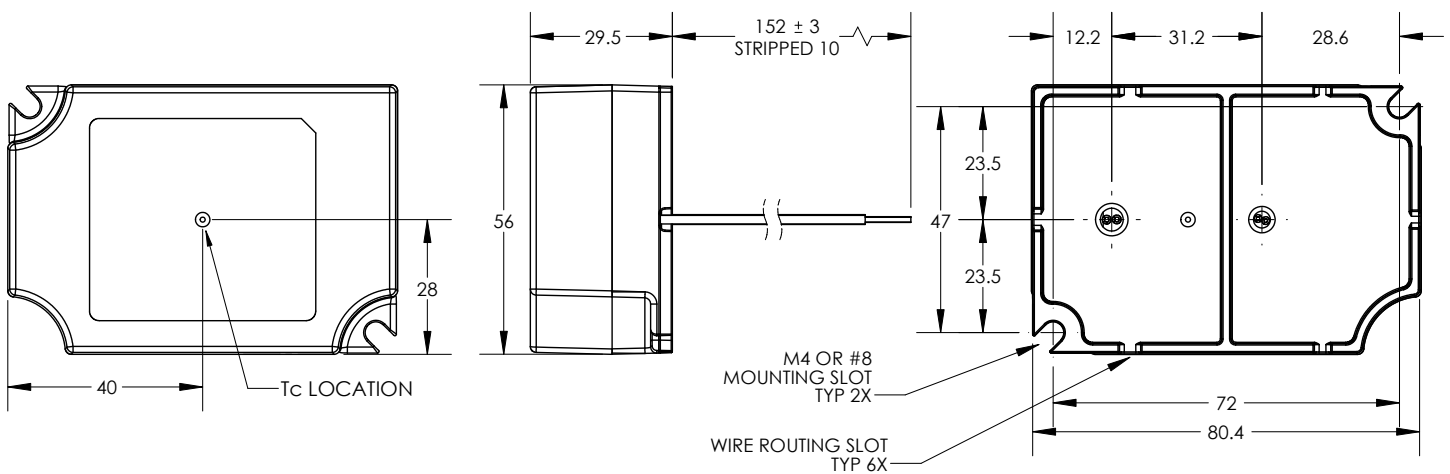
The presence of a dimmer in the above tables is not a guarantee or warranty of the compatibility of the LMH2 product family in any particular installation. The absence of a dimmer from the tables does not necessarily imply incompatibility. Please refer to the dimmer manufacturer's instructions for installation and further product information.

**MECHANICAL DIMENSIONS**

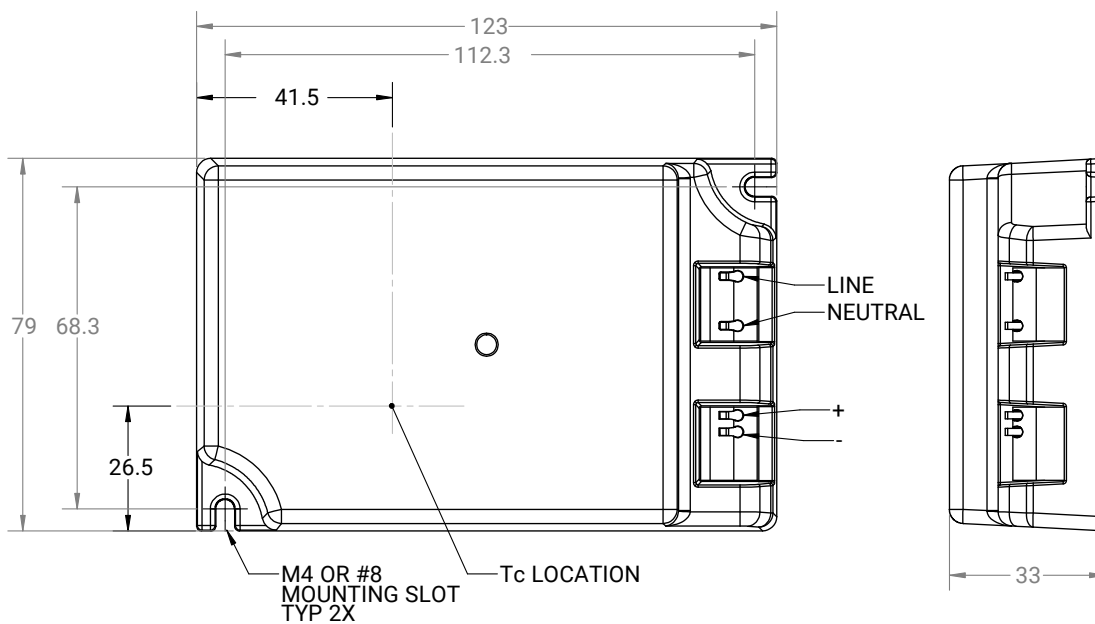
**Physical Characteristics of the LMD125**

| Physical Characteristic | LMD125 100- to 120-V and 277-V Driver | LMD125 230-V Driver |
|-------------------------|---------------------------------------|---------------------|
| Weight (g)              | 114                                   | 146                 |
| Maximum height (mm)     | 29.5                                  | 33                  |
| Maximum length (mm)     | 81                                    | 123                 |
| Maximum width (mm)      | 56                                    | 79                  |

**LMD125 100- to 120-V and 277-V Drivers<sup>1</sup>**



**LMD125 230-V Driver**



<sup>1</sup> Dimensions for all the LMD125 diagrams are in mm and are for reference only. For exact dimensions and tolerances, refer to the 3-D models (.STEP files) for the LMD125 drivers available by selecting the Documentation tab on the [LMH2 product page](#).



**WIRING DIAGRAMS**

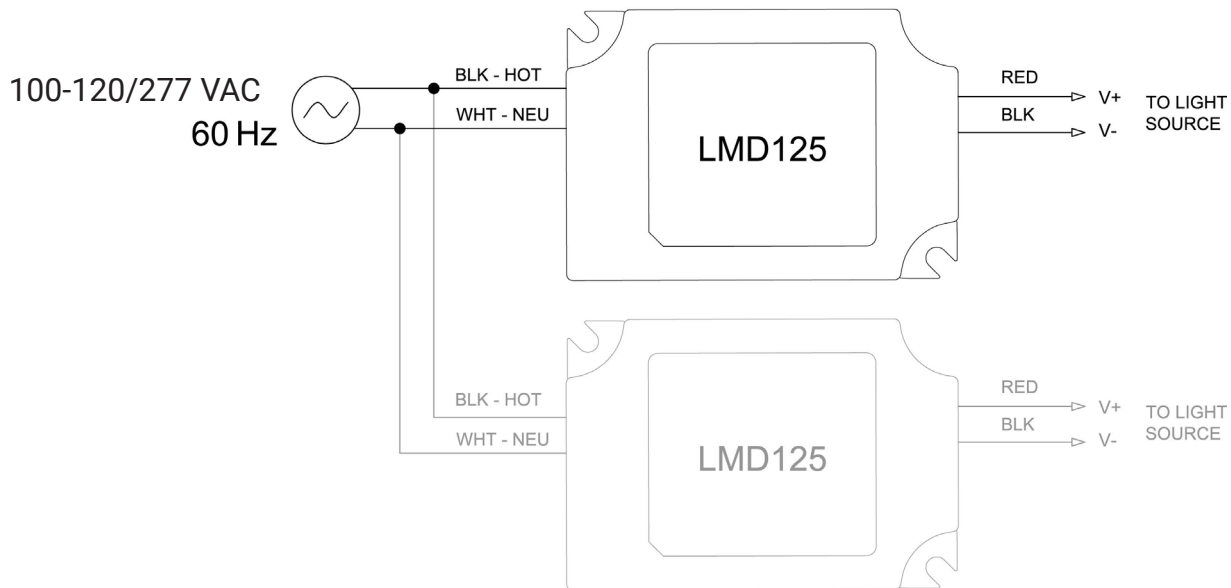
The unique design of the LMD125 LED module driver allows it to be mounted on an internal surface or to a junction box cover. For the 100- to 120-V and 277-V drivers, the leads can be routed through holes in a junction box cover and accessed in a standard junction box. When surface mounted, the LMD125 driver leads can be routed through the various wiring slots on each side.

**Electrical Connection**

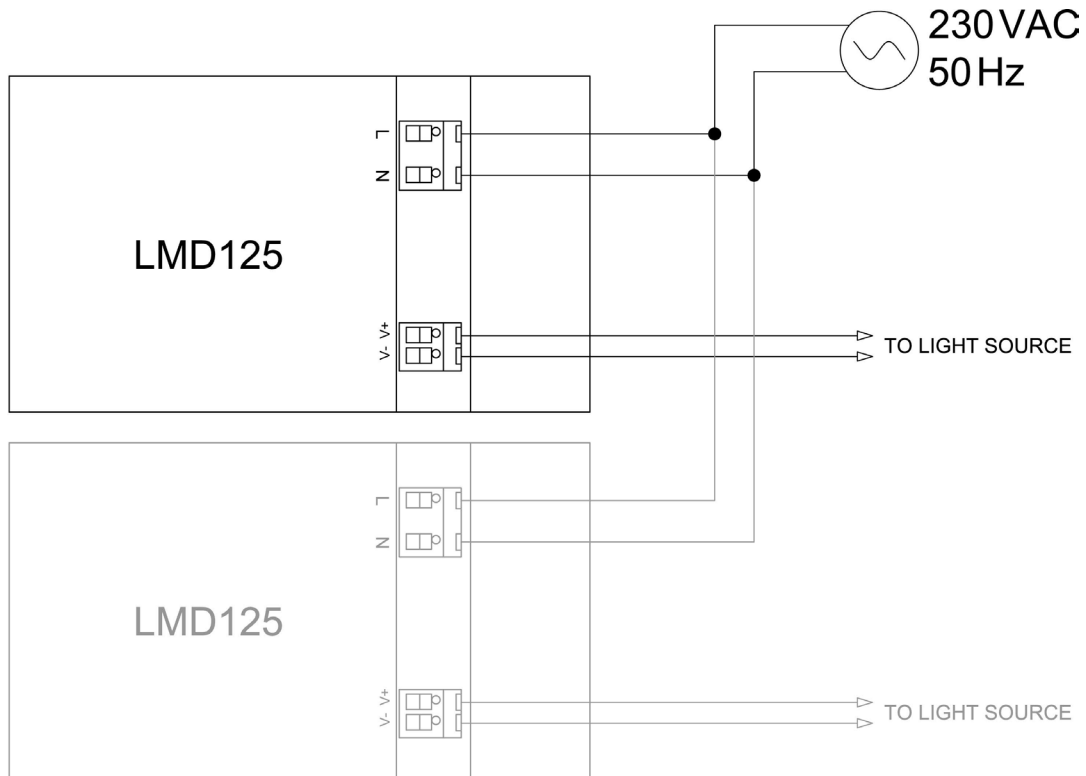
For the LMD125 100- to 120-V and 277-V LED module drivers, LMH2 LED module operation is accomplished by connecting the AC mains to the two (2) lead wires (line and neutral) from the driver and connecting the driver output wires to the input leads on the Cree LMH2 light source, as indicated in the following wiring diagrams. For the LMD125 230-V LED module driver, module operation is accomplished by connecting the AC mains to the appropriate terminal block pins.

The LMD125 100- to 120-V and LMD125 277-V LED module driver lead wires are 152.4 mm long, 18 AWG with the ends stripped 10 mm. The LMD125 230-V LED module drivers have poke-in terminals.

**LMD125 100- to 120-V and 277-V Drivers**



**LMD125 230-V Driver**



MULTIPLE UNITS MAY BE DAISYCHAINED

**Wiring Strain Relief**

LMD125 LED module drivers must not be suspended directly by the leads. Though the wiring from the LMD125 LED module driver is internally strain relieved, additional strain relief methods must be employed if the luminaire is to be suspended solely by the wiring, as in a pendant luminaire.

**THERMAL DESIGN**

**Expected LMD125 Lifetime versus Temperature at Tc Point**

| Expected Operation Life (Hours) | Tc (°C) @ 25 °C Room Ambient          |                     |
|---------------------------------|---------------------------------------|---------------------|
|                                 | LMD125 100- to 120-V and 277-V Driver | LMD125 230-V Driver |
| 35,000                          | 73                                    | 74                  |
| 50,000                          | 67                                    | 68                  |

### EMERGENCY BATTERY OPERATION

The LMD125 LED module drivers are constant-current supplies. Interrupting the driver current with a battery supply is an acceptable method of emergency or power outage operation. An acceptable installation should also include a switching mechanism that prevents the battery power from entering the driver through the DC output leads. Confirming backup power supply compatibility is the responsibility of the luminaire manufacturer or installer. Please refer to the backup power supply manufacturer’s instructions for installation and further product information.

### SAFETY AND REGULATORY NOTES

The following tables show the safety and regulatory certifications for the LMD125 LED module drivers.

|                               | LMD125 100 to 120 VAC<br>TRIAC Dimming<br>50/60-Hz Driver                    |                    | LMD125 277 VAC<br>Non-dimming<br>60-Hz Driver                                |                |
|-------------------------------|--|--------------------|--|----------------|
|                               | Standard   | File Number        | Standard   | File Number    |
| Safety                        | J61347-1 (H20)   | CJP2012109004-0645 |  |                |
|                               | J61347-1 (H21)   |                    |  |                |
|                               | UL/cUL recognized (UL8750)   | E333437            | UL/cUL recognized (UL8750)   | E333437        |
|                               | Class 2 power supply   |                    | Class 2 power supply   |                |
|                               | UL – Damp rated  |                    | UL – Damp rated  |                |
|                               | 5VA flame rating   |                    | 5VA flame rating   |                |
| Electromagnetic compatibility | FCC 47 CFR Part 15, Subpart B, Class B and Industry Canada ICES-003, Class B | R11CA40667-FCC     | FCC 47 CFR Part 15, Subpart B, Class B and Industry Canada ICES-003, Class A | R11CA41176-FCC |
| Regulatory                    | IEEE C.62.41-1991 Class A (surge)  |                    | IEEE C.62.41-1991 Class A (surge)  |                |
|                               | NEMA 410   |                    | NEMA 410   |                |
| Environmental                 | RoHS   |                    | RoHS   |                |

|                               | LMD125 230 VAC<br>TRIAC dimming<br>50/60-Hz Driver |                  |
|-------------------------------|--|------------------|
|                               | Standard   | File Number      |
| Safety                        | EN 61347-1   | RZCE2011-0452LVD |
|                               | EN 61347-2-13                                      |                  |
|                               | CE SELV equivalent                                 |                  |
|                               | IP-20  | 6JW2012-1878     |
|                               | IEC 62384  |                  |
|                               | CQC  |                  |
| Electromagnetic compatibility | EN 55015   | RZCE2011-0452EMC |
|                               | IEC 61000-3-2                                      |                  |
|                               | IEC 61000-3-3                                      |                  |
|                               | IEC 61547  |                  |
| Environmental                 | RoHS   |                  |

**Safety Certification**

Together, the LMH2 light source combined with the LMD125 LED module driver is “suitable for damp locations; covered ceilings.” Final luminaire designs should go through safety certification as required, which is the responsibility of the luminaire manufacturer.

**PACKAGING**

---

LMD125 100- to 120-V and 277-V LED module drivers are each packaged in boxes of 10, which are then combined in cartons of 10 boxes, or 100 LMD125 100- to 120-V or 277-V drivers.

LMD125 230-V LED module drivers are packaged in boxes of 10, which are then combined in cartons of 12 boxes, or 120 LMD125 230-V drivers.

Box and carton sizes are as follows.

Box of 10 LMD125 100- to 120-V or 277-V LED module drivers: 274 x 134 x 92 mm

Carton of 10 LMD125 100- to 120-V or 277-V driver boxes: 563 x 480 x 167 mm

Box of 10 LMD125 230-V LED module drivers: 215 x 176 x 133 mm

Carton of 12 LMD125 230-V driver boxes: 556 x 456 x 302 mm