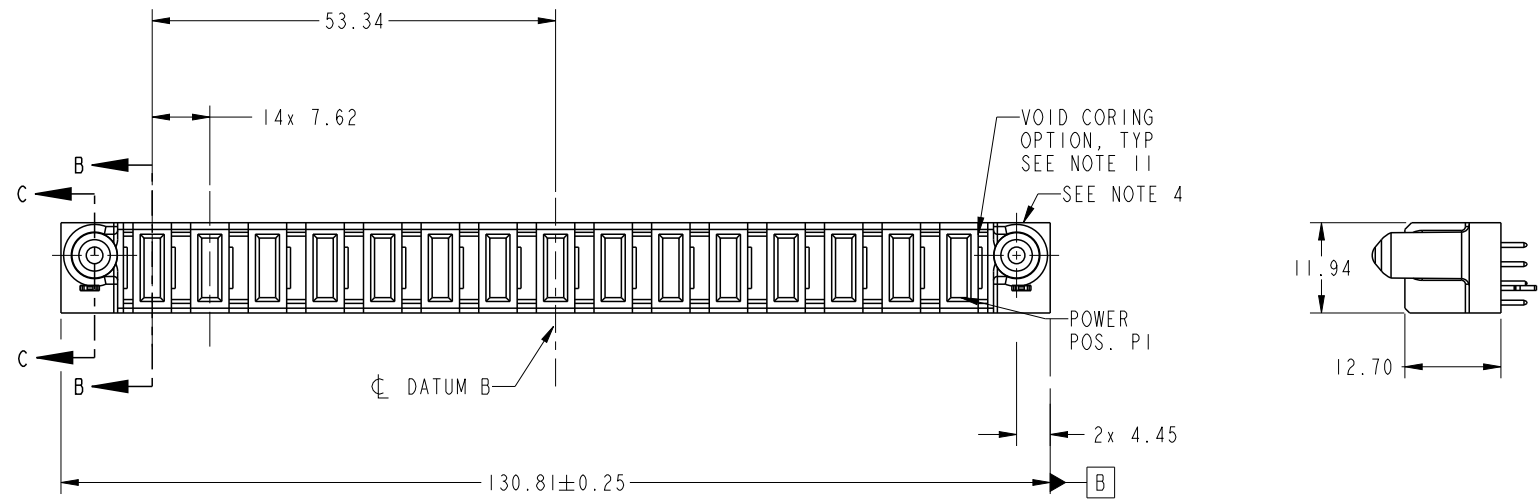


| | | | | | | | | | | | | | | | | |
|----------------------------|-------|-----|-----|-----|-----|-----|-----|----|----|----|----|----|----|----|----|----|
| PRODUCT NO. 51940-618LF | POWER | | | | | | | | | | | | | | | E1 |
| | E2 | P15 | P14 | P13 | P12 | P11 | P10 | P9 | P8 | P7 | P6 | P5 | P4 | P3 | P2 | |



| CODE | DIM "M" MATING LENGTH | CONTACT TYPE |
|------|-----------------------|--------------|
| PA | [1.07] | POWER |
| HA | [N/A] | HOLD-DOWN |

| | | | | | | | | | | | |
|---------------|---------------------------------------|--------------------------------------|------|----------------|------------|------------------------|----------|--------------|-----------|-------|-----|
| spec ref | SEE NOTES | | dr | Ruan MT | 2016/07/13 | projection | MM ←→ | size | A4 | scale | 1:1 |
| tolerance std | TOLERANCES UNLESS OTHERWISE SPECIFIED | | eng | Ruan MT | 2016/07/29 | | | ecn no | - | | |
| SEE NOTES | | | chr | Fancy Zhang | 2016/07/28 | | | rel level | Released | | |
| surface | linear | 0.X ±0.5 0.XX ±0.25 0.XXX ±0.1 | appr | Pei-Ming Zheng | 2016/07/29 | product family | PwrBlade | dwg no | 51940-618 | rev | A |
| | angular | 0° ±2° | | | cat. no. | Product - Customer Drw | | sheet 1 of 4 | | | |

Creo Title - REV E - 2016-02-12

PRODUCT NUMBER
51940-618LF



| | | | | | | | | | | | | | | | |
|---------------|--|---------------------------------------|------------|-----------------|-------------|------------|----------------|----------|-----------|-----------|-------|-----|----------|------------------------|--------------|
| spec ref | | SEE NOTES | | dr | Ruan MT | 2016/07/13 | projection | MM ←→ | size | A4 | scale | 1:1 | | | |
| tolerance std | | TOLERANCES UNLESS OTHERWISE SPECIFIED | | eng | Ruan MT | 2016/07/29 | | | ecn no | - | | | | | |
| SEE NOTES | | | | chr | Fancy Zhang | 2016/07/28 | | | rel level | Released | | | | | |
| surface | | linear | 0.X ±0.5 | Amphenol FCi | title | 15ACP | product family | PwrBlade | dwg no | 51940-618 | rev | A | | | |
| | | | 0.XX ±0.25 | | | | | | | | | | cat. no. | Product - Customer Drw | sheet 2 of 4 |
| | | angular | 0° ±2° | | | | | | | | | | | | |

Creo File - REV E - 2016-02-12



| | | | | | | | | | | | | |
|---------------|---------------------------------------|-------|-------|-----------------|----------------|------------|----------------|------------------------|--------|--------|-----------|----------|
| spec ref | SEE NOTES | | | dr | Ruan MT | 2016/07/13 | projection | MM ←→ | size | A4 | scale | 1:1 |
| tolerance std | TOLERANCES UNLESS OTHERWISE SPECIFIED | | | eng | Ruan MT | 2016/07/29 | | | ecn no | - | rel level | Released |
| SEE NOTES | | | | chr | Fancy Zhang | 2016/07/28 | | | | | | |
| surface | linear | 0.X | ±0.5 | appr | Pei-Ming Zheng | 2016/07/29 | product family | PwrBlade | | rev | | |
| | | 0.XX | ±0.25 | Amphenol FCi | | | title | I5ACP | | dwg no | 51940-618 | A |
| | | 0.XXX | ±0.1 | | | | cat. no. | Product - Customer Drw | | sheet | 3 of 4 | |
| | angular | 0° | ±2° | | | | | | | | | |

PRODUCT NUMBER

51940-618LF

NOTES:

1. DIMENSIONS AND TOLERANCES ARE IN ACCORDANCE WITH ASME Y14.5M, 1994 UNLESS OTHERWISE SPECIFIED.

CONNECTOR NOTES:

② HOUSING MATERIAL: UL 94 V-0 GLASS FILLED HIGH-TEMP THERMOPLASTIC
POWER CONTACT MATERIAL: COPPER ALLOY
SIGNAL PIN MATERIAL: COPPER ALLOY

3. SEE FCI PLATING SPEC 10064183.

④ MANUFACTURER'S NAME, DATE CODE AND OPTIONAL P/N TO APPEAR ON THIS SURFACE. THE MARK CAN BE OMITTED IF THERE IS NOT ENOUGH SPACE ON THIS SURFACE.

5. PRODUCT SPECIFICATION GS-12-149.
APPLICATION SPECIFICATION BUS-20-067.

6. PACKAGED IN TRAYS.

PCB NOTES:

7. ALL HOLE DIAMETERS ARE FINISHED HOLE SIZE.

⑧ MOUNTING HOLES, WHERE APPLICABLE, ARE UNPLATED.

⑨ $\varnothing 1.151 \pm 0.025$ DRILLED HOLES PLATED WITH
0.008 MIN SnPb OR Sn OVER 0.03
TO 0.08 Cu PLATING TO ACHIEVE
 $\varnothing 1.02 \pm 0.07$ HOLE.

⑩ CONNECTOR KEEP-OUT ZONE.

11. THE VOID CORING IN BETWEEN POWER MODULES, SIGNAL MODULES AND END MODULES ARE OPTIONAL AND THE SHAPE MAY BE DIFFERENT FOR OPTIMIZE THE MOLDING PROCESS. THE VOID CORING WILL NOT EFFECT TO PRODUCT FUNCTION.

⑫ DATUM AND BASIC DIMENIONS ARE ESTABLISHED BY CUSTOMER.

| | | | | | | | | | | | | |
|---------------|--|---------------------------------------|-------|---------------|-----------------|------------------------|----------------|--------------|-----------|-----------|-------|----------|
| spec ref | | SEE NOTES | | dr | Ruan MT | 2016/07/13 | projection | MM | size | A4 | scale | 1:1 |
| tolerance std | | TOLERANCES UNLESS OTHERWISE SPECIFIED | | eng | Ruan MT | 2016/07/29 | | | ecn no | - | | |
| SEE NOTES | | | | chr | Fancy Zhang | 2016/07/28 | | | | rel level | | Released |
| surface | | linear | 0.X | ± 0.5 | Amphenol FCi | title | 15ACP | dwg no | 51940-618 | rev | A | |
| | | | 0.XX | ± 0.25 | | | | | | | | |
| | | | 0.XXX | ± 0.1 | | | | | | | | |
| | | angular | 0° | $\pm 2^\circ$ | cat. no. | Product - Customer Drw | | sheet 4 of 4 | | | | |

Mouser Electronics

Authorized Distributor

Click to View Pricing, Inventory, Delivery & Lifecycle Information:

[FCI / Amphenol:](#)

| | | | | | | | |
|-----------------------------|-----------------------------|-----------------------------|-----------------------------|-----------------------------|-----------------------------|-----------------------------|-----------------------------|
| 51940-007LF | 51940-010LF | 51940-016LF | 51940-022LF | 51940-024LF | 51940-027LF | 51940-028LF | 51940-031LF |
| 51940-032LF | 51940-035LF | 51940-038LF | 51940-042LF | 51940-053LF | 51940-054LF | 51940-063LF | 51940-075LF |
| 51940-082LF | 51940-112LF | 51940-207LF | 51940-208LF | 51940-211LF | 51940-213LF | 51940-214LF | 51940-218LF |
| 51940-219LF | 51940-222LF | 51940-224LF | 51940-260LF | 51940-411LF | 51940-415LF | 51940-046LF | 51940-058LF |
| 51940-062LF | 51940-072LF | 51940-076LF | 51940-084LF | 51940-089LF | 51940-099LF | 51940-101LF | 51940-103LF |
| 51940-104LF | 51940-105LF | 51940-107LF | 51940-117LF | 51940-121LF | 51940-122LF | 51940-123LF | 51940-126LF |
| 51940-131LF | 51940-135LF | 51940-136LF | 51940-139LF | 51940-142LF | 51940-147LF | 51940-149LF | 51940-150LF |
| 51940-154LF | 51940-157LF | 51940-160LF | 51940-162LF | 51940-163LF | 51940-165LF | 51940-166LF | 51940-172LF |
| 51940-173LF | 51940-174LF | 51940-177LF | 51940-178LF | 51940-179LF | 51940-180LF | 51940-181LF | 51940-184LF |
| 51940-185LF | 51940-187LF | 51940-188LF | 51940-189LF | 51940-191LF | 51940-192LF | 51940-193LF | 51940-194LF |
| 51940-195LF | 51940-199LF | 51940-200LF | 51940-202LF | 51940-203LF | 51940-204LF | 51940-206LF | 51940-243LF |
| 51940-439LF | 51940-332LF | 51940-350LF | 51940-451LF | 51940-009LF | 51940-096LF | 51940-059LF | 51940-233LF |
| 51940-119LF | 51940-467LF | 51940-254LF | 51940-221LF | | | | |