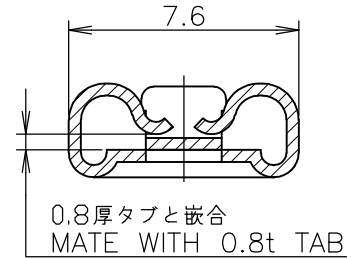
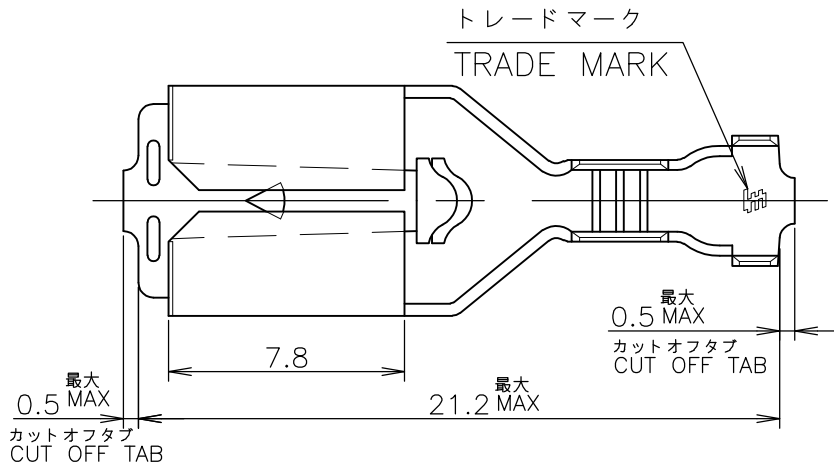
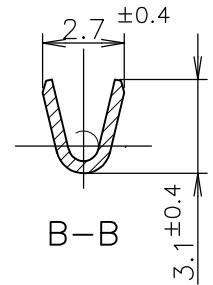
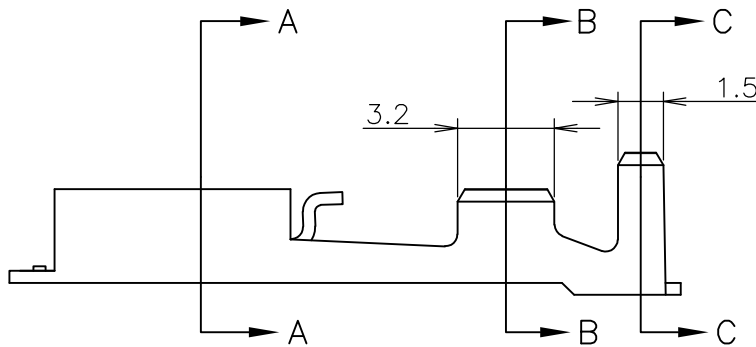


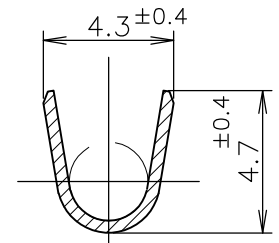
REVISIONS 変更					
P	LTR	DESCRIPTION	DATE	DWN	APVD
	C2	REVISED PER ECR-16-003912	21MAR16	HG	TD



A-A



B-B



C-C

- 1 APPLICABLE SLEEVE P/N: 174817-1
- 2 CONTINUOUS STRIP ON REELS
- 3 INSTRUCTION SHEET NO: 411-5391
- △ PACKAGE WITH INTERLAYER PAPER

911589-1	175021-1	PRE TINNED BRASS	△ 175020-2
911589-1	175021-1	PRE TINNED BRASS 錫めっき付 黄銅 0.4t	175020-1
HAND TOOL NO. 手動工具型番	LOOSE PIECE NO. ばら状端子型番	MATERIAL 材料	P/N 型番

WIRE RANGE 抱合電線断面積	AWG #22-#18 0.31~0.89 mm ²	INSULATION DIA 被覆外径	1.5~3.1 mmφ
-----------------------	--	------------------------	-------------

THIS DRAWING IS UNPUBLISHED. ALL RIGHTS RESERVED. RELEASED FOR PUBLICATION

COPYRIGHT 1999 By -

DIMENSIONS: 単位: 耗 mm	DWN	M.SUZUKI	11MAY1999	MATERIAL 材料	表参照	SEE TABLE	FINISH 仕上	
	CHK	M.SHINDO	12MAY1999	TE Connectivity				
TOLERANCES UNLESS OTHERWISE SPECIFIED: 一般公差	APVD	M.SHINDO	12MAY1999					
0 PLC ±	PRODUCT SPEC 製品規格		NAME 名称		250 SERIES POSITIVE LOCK-EX REC. 250 シリーズ ポジティブロッカーEX リセプタクル			
1 PLC ± 10 ≥ : ±0.2	APPLICATION SPEC 取付適用規格		SIZE		CAGE CODE		DRAWING NO 番号	
2 PLC ± 30 ≥ > 10: ±0.25								
3 PLC ± 100 ≥ > 30: ±0.3	114-5119		A4		00779		C-175020	
4 PLC ±	WEIGHT		CUSTOMER DRAWING		SCALE 尺度		4:1	
ANGLES ± 3'					SHEET		1 OF 1	
							REV C2	

Mouser Electronics

Authorized Distributor

Click to View Pricing, Inventory, Delivery & Lifecycle Information:

[TE Connectivity:](#)

[175020-1](#)