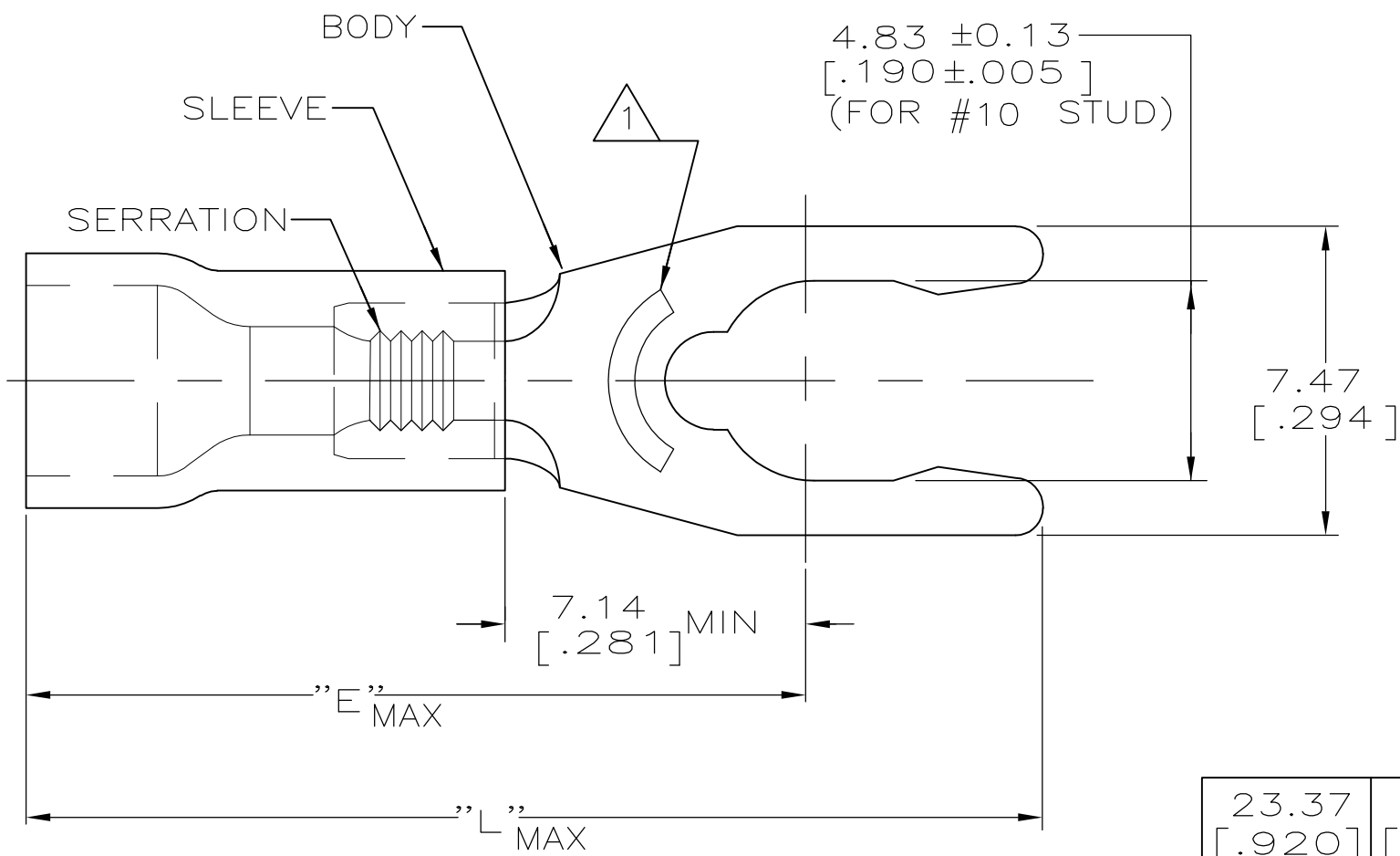


THIS DRAWING IS UNPUBLISHED. RELEASED FOR PUBLICATION  
 © COPYRIGHT BY TYCO ELECTRONICS CORPORATION. ALL RIGHTS RESERVED.

| LOC | DIST | REVISIONS |     |                       |         |     |      |
|-----|------|-----------|-----|-----------------------|---------|-----|------|
| G   | 14   | P         | LTR | DESCRIPTION           | DATE    | DWN | APVD |
|     |      | L         |     | REV PER ECR 10-005023 | 05MAR10 | JR  | TM   |

|                                |                                |                                |
|--------------------------------|--------------------------------|--------------------------------|
| <b>AMP</b><br>WIRE RANGE       | Listed<br>FILE E13288          | LR7189<br>Certified            |
| 22-16 AWG<br>SOLID OR STRANDED | 22-16 AWG<br>SOLID OR STRANDED | 22-16 AWG<br>SOLID OR STRANDED |

- ① STAMP 10S AMP 22-18\* APPROX AS SHOWN  
22-16 TERMINALS ARE STAMPED 22-18 IN  
ACCORDANCE WITH MILITARY SPEC MIL-T-7928  
COMMERCIAL WIRE RANGE IS 22-16
- 2. SEE TABLE FOR WIRE INSUL DIA
- 3. TONGUE MATL THK, 0.79±0.05 [.031±.002]
- ④ MATERIAL: BODY - BRASS PER ASTM B36  
SLEEVE - PVC, COLOR - RED



|                 |                 |                          |      |                      |           |
|-----------------|-----------------|--------------------------|------|----------------------|-----------|
| 23.37<br>[.920] | 17.70<br>[.697] | 2.67-3.56<br>[.105-.140] | 100  | LOOSE PIECE, BOX SPL | 8-53242-5 |
| 24.61<br>[.969] | 18.95<br>[.746] | 3.81-5.08<br>[.150-.200] | 2500 | ON TAPE, REEL        | 53242-6   |
| 24.61<br>[.969] | 18.95<br>[.746] | 3.81-5.08<br>[.150-.200] | 1000 | LOOSE PIECE          | 53242-5   |
| 23.37<br>[.920] | 17.70<br>[.697] | 2.67-3.56<br>[.105-.140] | 5000 | ON TAPE, REEL        | 53242-2   |
| 23.37<br>[.920] | 17.70<br>[.697] | 2.67-3.56<br>[.105-.140] | 1000 | LOOSE PIECE          | 53242-1   |
| L               | E               | WIRE INSUL DIA           | QTY  | PACKAGE TYPE         | PART NO   |

|  |  |   |  |   |                            |  |                    |
|--|--|---|--|---|----------------------------|--|--------------------|
| <b>AMP INCORPORATED<br/>CUSTOMER SERVICE SYSTEMS</b>                             |  | MAX RECOMMENDED OPERATING TEMPERATURE:<br>105°C [221°F]   | THIS DRAWING IS A CONTROLLED DOCUMENT. |   | DWN<br>L OLMEDA<br>26JUN95 | Tyco Electronics Corporation<br>Harrisburg, Pa 17105-3608                  |                    |
| FOR ADDITIONAL PRODUCT INFORMATION OR COPIES OF DRAWINGS AND TECHNICAL DOCUMENTS | PRODUCT INFORMATION CENTER<br>1-800-522-6752 | VOLTAGE RATING:<br>600V MAX<br>(1000V FIXTURE OR SIGN)  | DIMENSIONS:<br>mm [INCHES]             | TOLERANCES UNLESS OTHERWISE SPECIFIED:  | CHK<br>M ELLIS<br>26JUN95  | NAME<br>TERMINAL, SPRING SPADE,<br>SHORT, PLASTI-GRIP,<br>WIRE SIZE: 22-16 |                    |
| FOR APPLICATION TOOLING INFORMATION  | TOOLING ASSISTANCE CENTER<br>1-800-722-1111  | CIRCULAR MIL AREA:<br>0.26-1.65mm² [509-3260]<br>SOLID OR STRANDED  |  | 0 PLC ± -<br>1 PLC ± -<br>2 PLC ± 0.20 [.008]<br>3 PLC ± -<br>4 PLC ± -<br>ANGLES ± - | APVD<br>G NGO<br>26JUN95   | PRODUCT SPEC<br>UL 486A  | SIZE<br>A3         |
| FOR ORDER ENTRY  | 1-800-526-5142                               | THIS DRAWING IS A CONTROLLED DOCUMENT FOR AMP INCORPORATED. IT IS SUBJECT TO CHANGE AND THE CONTROLLING ENGINEERING ORGANIZATION SHOULD BE CONTACTED FOR THE LATEST REVISION. | MATERIAL<br>④                          | FINISH<br>TIN PER ASTM B545   | APPLICATION SPEC<br>-      | WEIGHT<br>-  | CAGE CODE<br>00779 |
|  |  |   | CUSTOMER DRAWING                       |   | DRAWING NO<br>G-53242      | RESTRICTED TO<br>-   | SCALE<br>6:1       |
|  |  |   |  |   | SHEET 1 OF 1               |  | REV L              |

# Mouser Electronics

Authorized Distributor

Click to View Pricing, Inventory, Delivery & Lifecycle Information:

[TE Connectivity:](#)

[53242-2](#)