

DATA SHEET

WIRELESS COMPONENTS

FR4 Chip Antenna
ANT2405F001R0169A

169 MHz
2405 Series



FEATURES

- Compact size
- Omni-directional radiation
- Tape & reel automatic mounting
- Reflow process compatible
- RoHS compliant

APPLICATIONS

- Smart meter
- Industrial remote control
- ISM band equipment

ORDERING INFORMATION

All part numbers are identified by the series, packing type, material, size, antenna type, working frequency and packing quantity.

PART NUMBER**ANT 2405 F 001 R 0169A**

(1) (2) (3) (4) (5) (6)

(1) PRODUCT

ANT = Antenna

(2) SIZE

2405 = 2.4 x 5 mm

(3) ANTENNA TYPE

L,F,A = Chip Antenna

(4) SERIAL NO.

001

(5) PACKING TYPE

R = Tape and Reel

(6) WORKING FREQUENCY

0169 = 169MHz

PHYCOMP CTC

CAN4311050010162K

I2NC

431105001016

SPECIFICATION

Table 1

DESCRIPTION	VALUE
Centre Frequency	169 MHz
Bandwidth	2 MHz (Typ.)
Polarization	Linear
Azimuth Beamwidth	Omni-directional
Impedance	50 Ω
Operating Temperature	-40 °C ~ 105 °C

NOTE

I. The specification is defined on Yageo evaluation board

DIMENSIONS

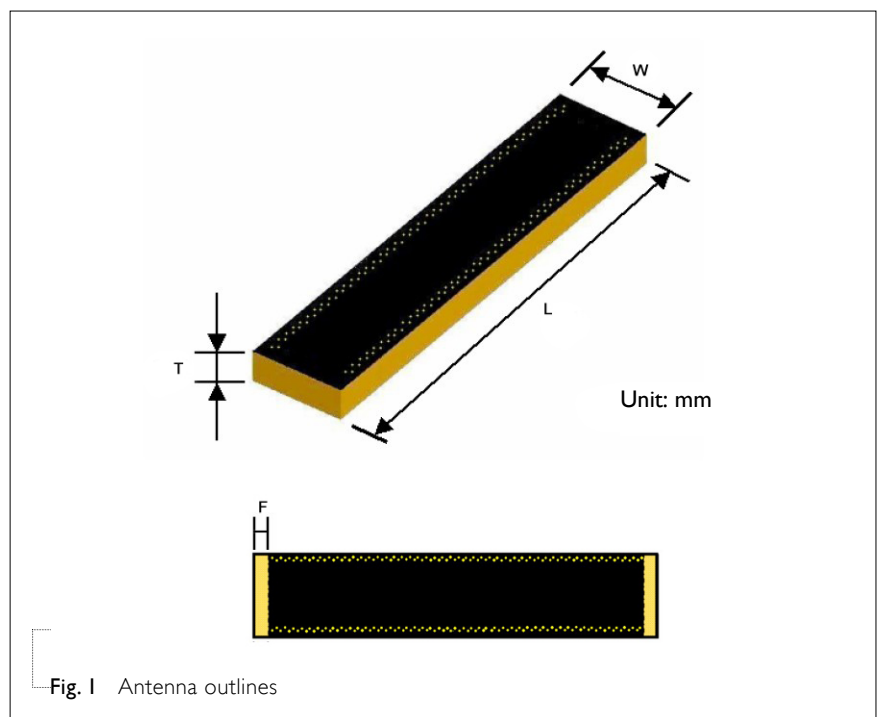
Table 2 Machinical Dimension

	DIMENSION
L (mm)	2.40 ±0.20
W (mm)	5.00 ±0.20
T (mm)	1.60 ±0.15
F (mm)	0.80 ±0.10

Table 3 Termination configuration

TERMINAL NAME	FUNCTION
F	Feeding Point

OUTLINES



REFERENCE DESIGN OF EVALUATION BOARD

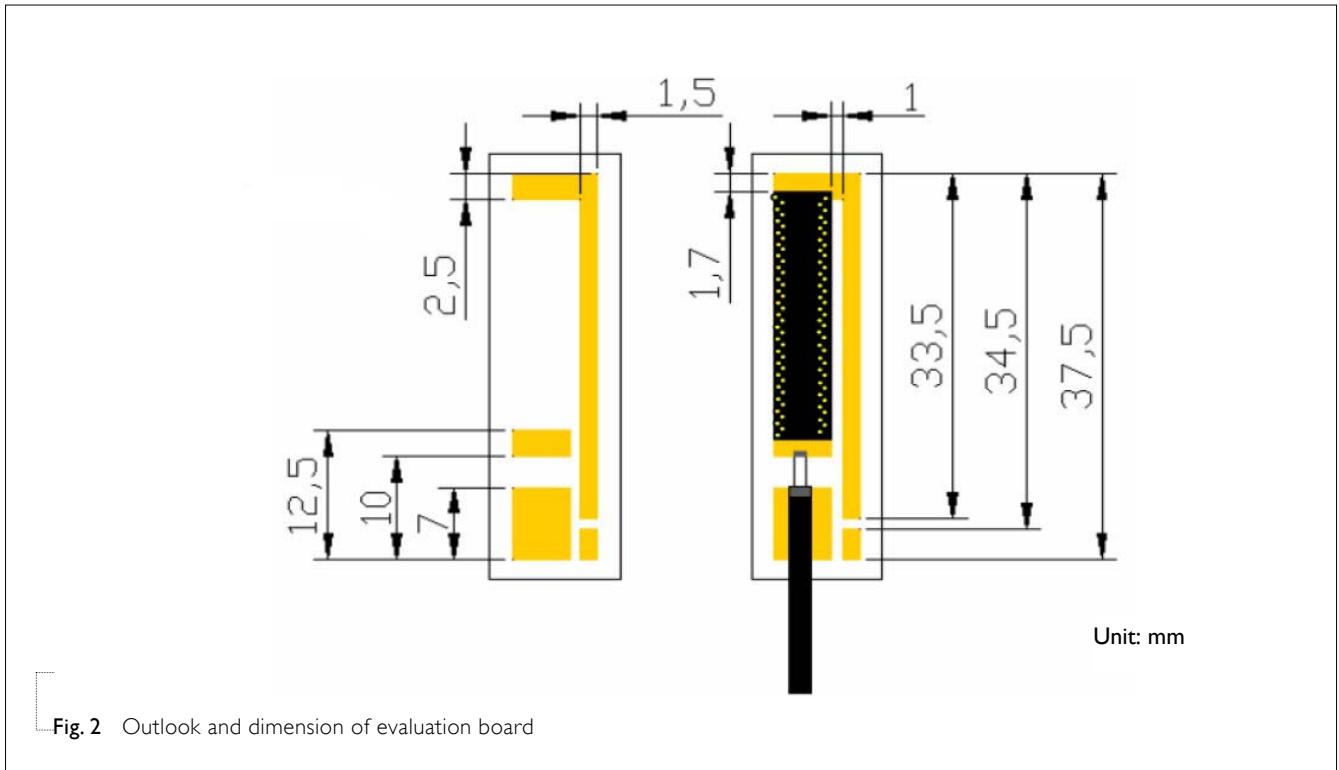


Fig. 2 Outlook and dimension of evaluation board

ELECTRICAL PERFORMANCES

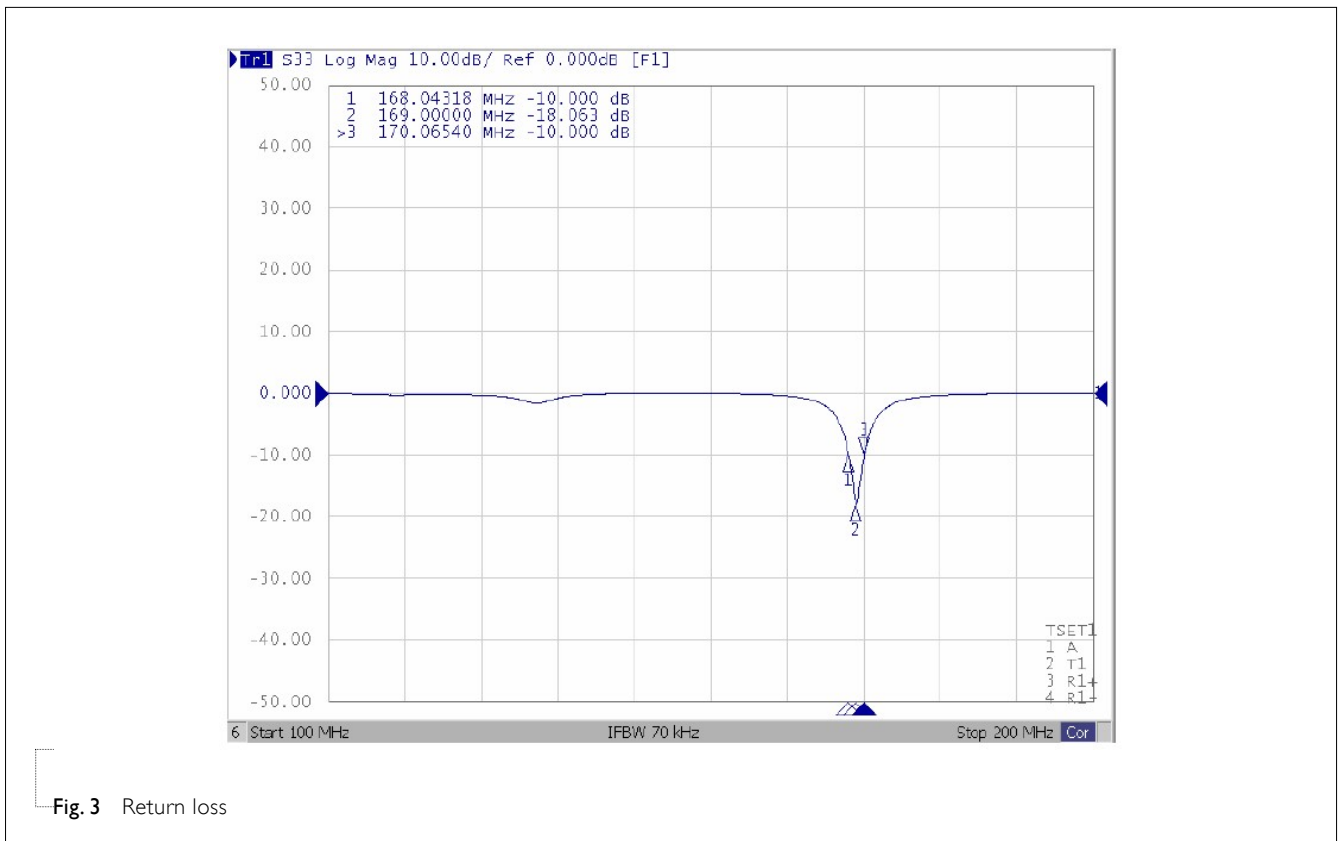


Fig. 3 Return loss

REVISION HISTORYREVISION DATE CHANGE NOTIFICATION DESCRIPTION

Version 0	Feb. 23, 2013	-	- New data sheet for SMD type antenna, 169 MHz application, 2405 series.
-----------	---------------	---	--

Mouser Electronics

Authorized Distributor

Click to View Pricing, Inventory, Delivery & Lifecycle Information:

Yageo:

[ANT2405F001R0169A](#)