

Features

- RoHS compliant* versions available
- Overvoltage/lightning protection to ITU-T K.20
- Standard “off-the-shelf” design
- Typical application is secondary protection on telecom line cards

4A12P-506-500 - Surge Line Protection Module

Matched Pair of Resistors plus Thermal Fuse

Electrical Characteristics

Resistance Values (R1 = R2).....	50 Ω
Resistance Tolerance.....	±1 %
TCR.....	100 ppm/°C
Ratio Tolerance.....	±0.5 %
Power Dissipation (per resistor) @ 25 %.....	2 W
Temperature Range.....	-40 °C to +85 °C

Physical Characteristics

Body Style.....	Dual in line SMD - twin pack
Substrate Material.....	96 % Alumina
Lead Frame Material.....	Copper, solder coated
Flammability.....	Conforms to UL94V-0
Processability.....	Unit is only suitable for no-clean processing
Convection Reflow.....	Unit will withstand 260 °, 20 seconds
Packaging.....	16 “ diameter reels, 44mm tape, 250 pcs./reel

Functional Characteristics

Lightning Surge Test.....	10 x 700 μSec, 1 KV
Power Induction.....	300 Vrms
Power Contact.....	220 Vrms

How To Order

4A 12 P - 506 - 500 LF

Model	4A = Surface Mount
Number of Pins	12
Physical Configuration	P
Electrical Configuration	506 = Matched Pair of Resistors plus Thermal Fuse
Resistance Code	500 = 50 Ω
RoHS Compliant Option	LF = RoHS Compliant Product

BOURNS®

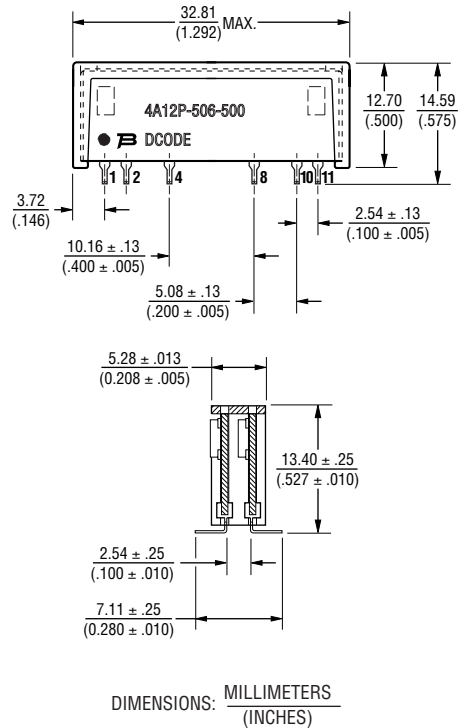
Asia-Pacific: TEL +886- (0)2 25624117 • FAX +886- (0)2 25624116

Europe: TEL +41-41 7685555 • FAX +41-41 7685510

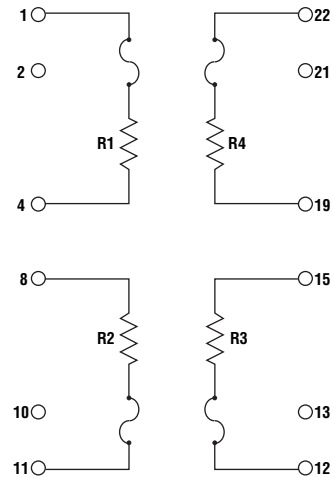
Americas: TEL +1-951 781-5500 • FAX +1-951 781-5700

www.bourns.com

Product Dimensions



Electrical Schematic



*RoHS Directive 2002/95/EC Jan 27, 2003 including Annex. Specifications are subject to change without notice. Customers should verify actual device performance in their specific applications.

Mouser Electronics

Authorized Distributor

Click to View Pricing, Inventory, Delivery & Lifecycle Information:

Bourns:

[4A12P-506-500](#) [4A12P-506-500LF](#)