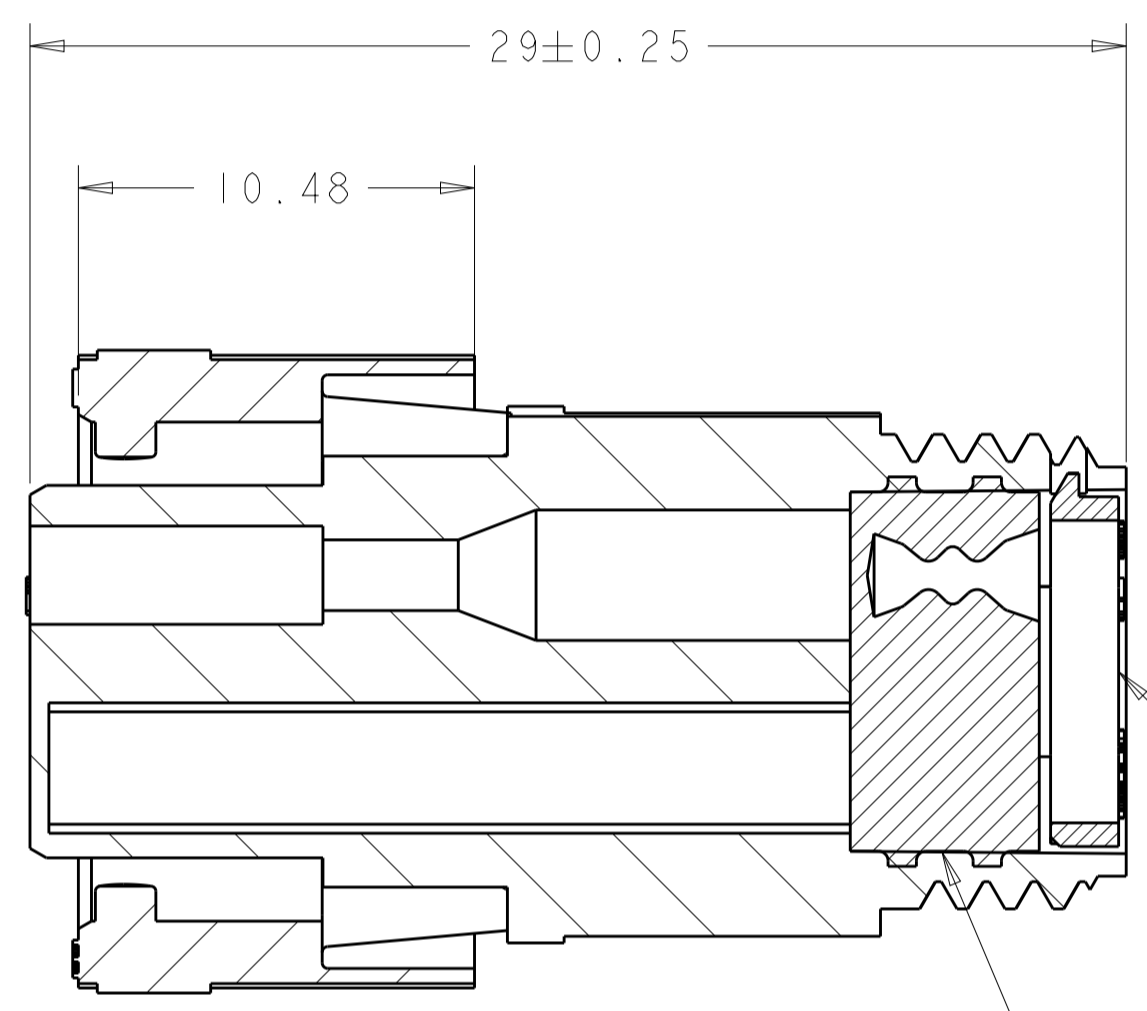
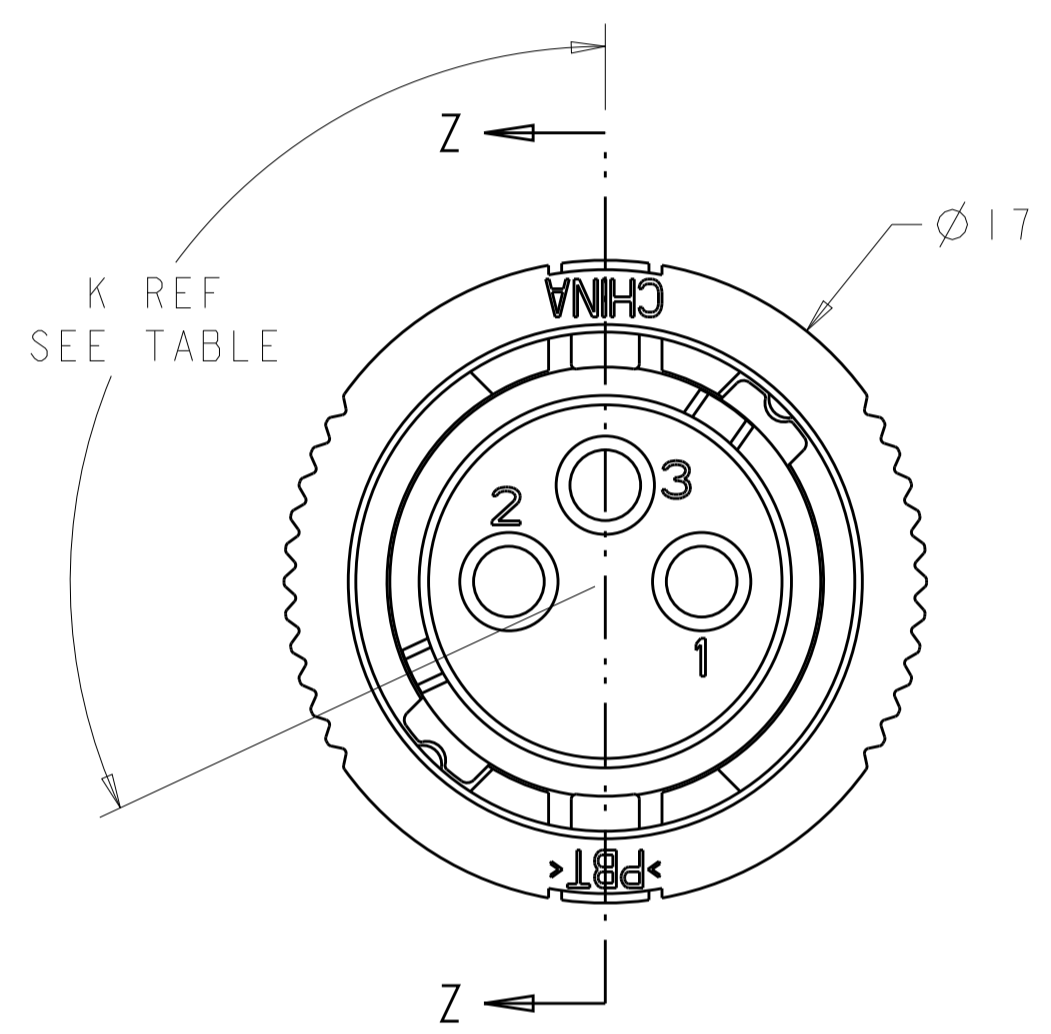
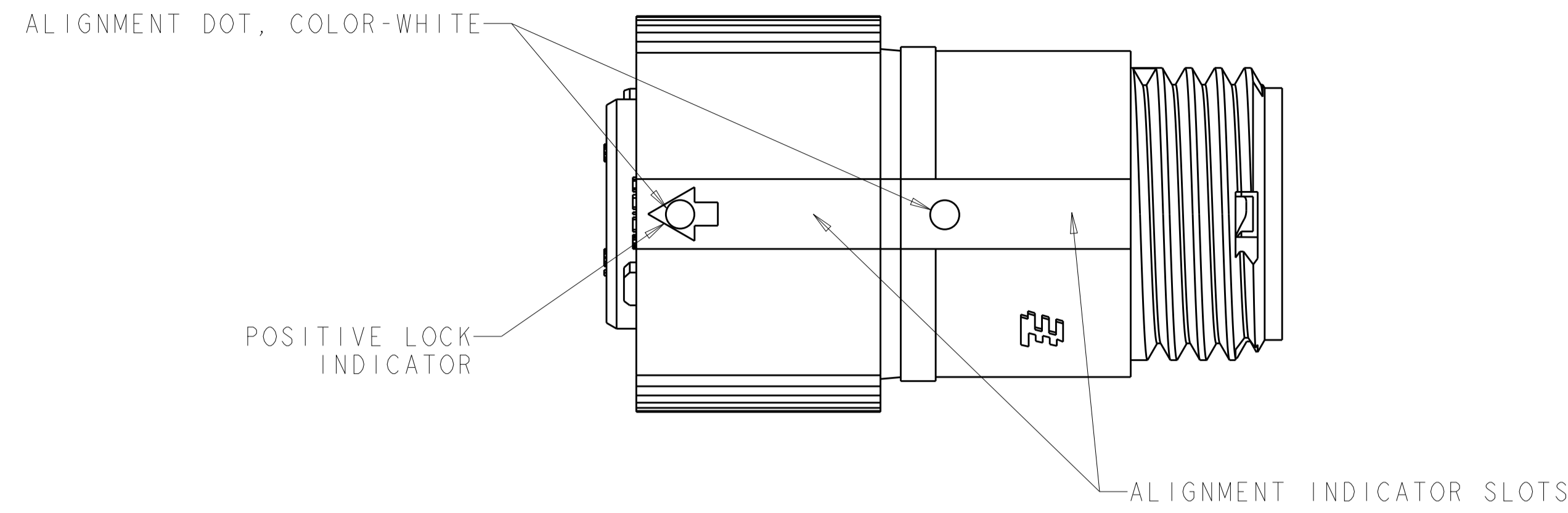
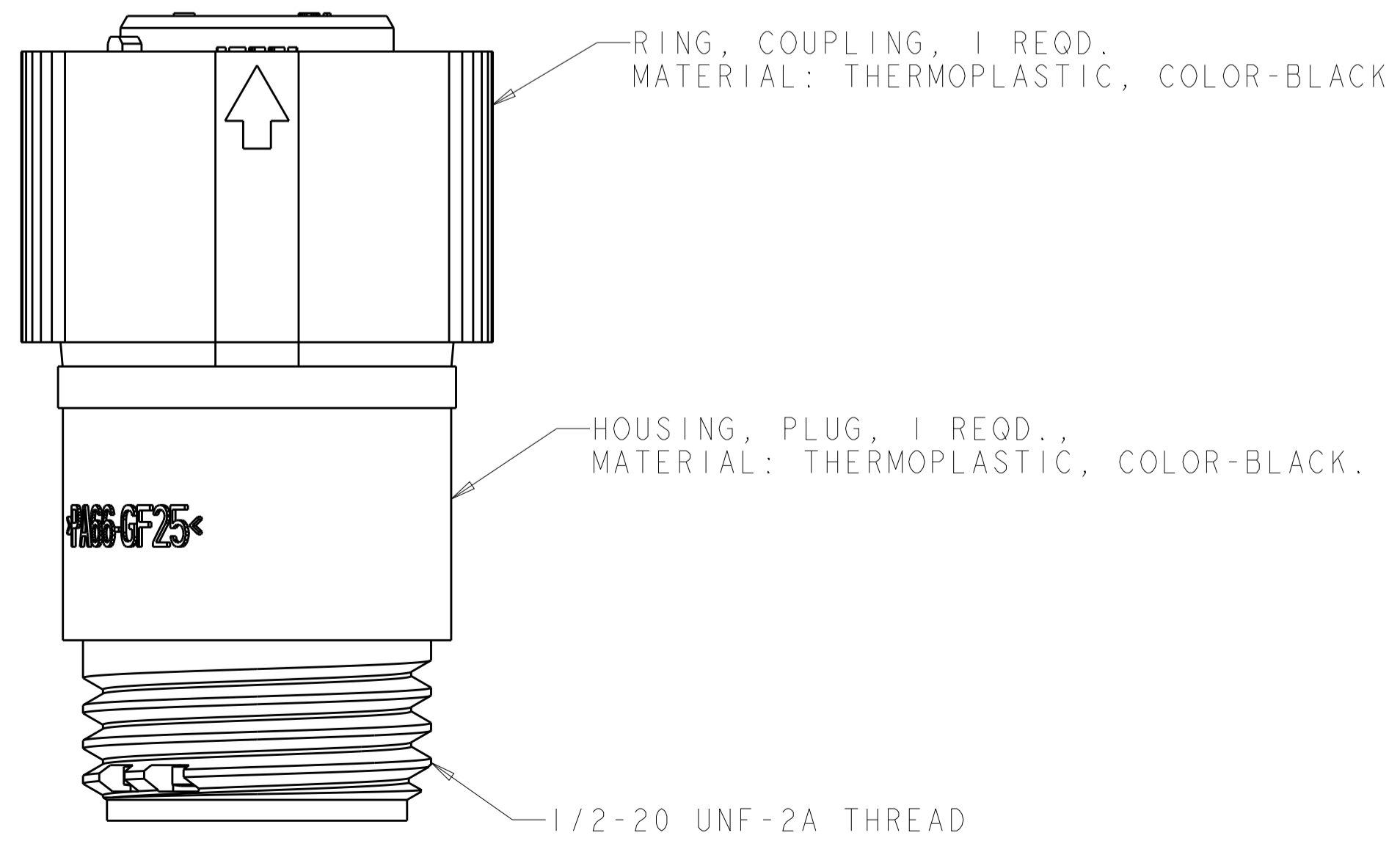
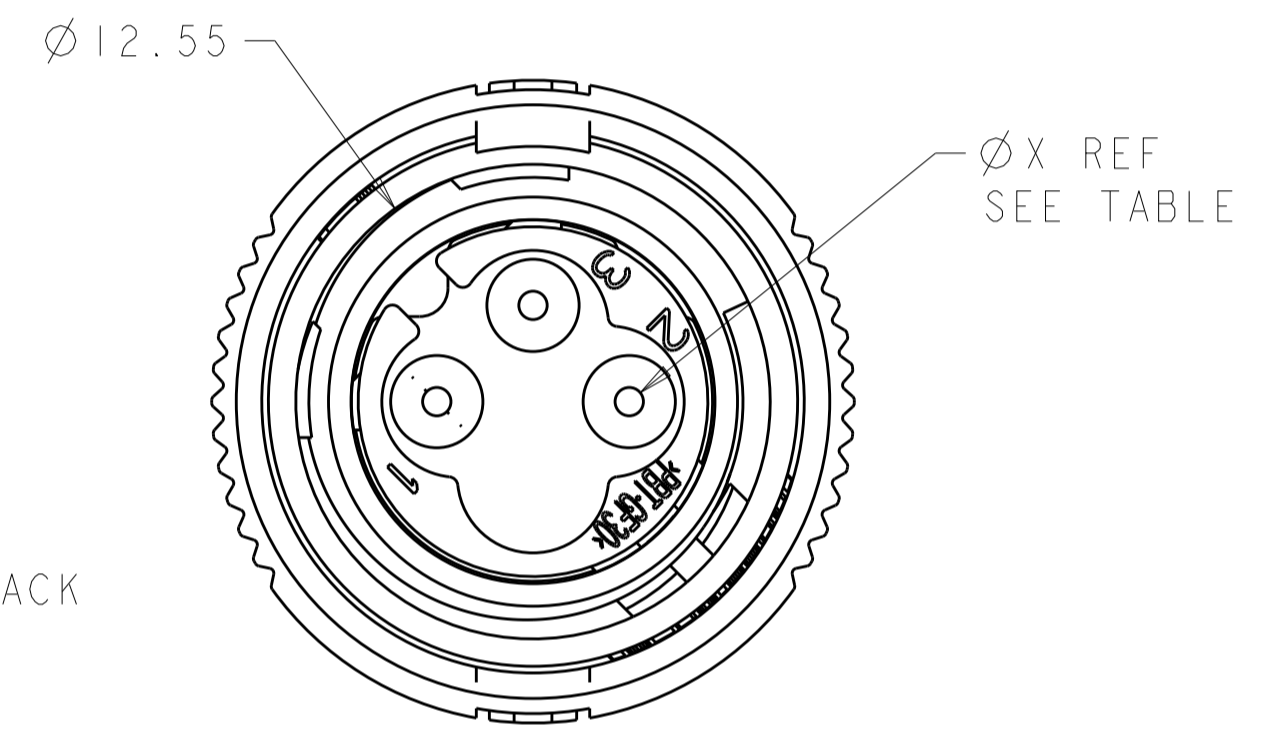


REVISIONS				
P.	LTN.	DESCRIPTION	DATE	APVD.
B3		REVISED PER ECO-15-010004	13JUL2015	NK MZ
C		REVISED PER ECO-17-004650	06APR2017	BDA MZ



SECTION Z-Z

RETAINER, SEAL, 1 REQD.  
 MATERIAL: THERMOPLASTIC, COLOR-BLACK  
 SEAL, WIRE ENTRY, 1 REQD.  
 MATERIAL: ELASTOMER, COLOR-SEE TABLE



OBSOLETE	RED	NATURAL	Ø 1.5	115°	1445534-05
OBSOLETE	BLACK	YELLOW	Ø 0.75	130°	1445534-04
	BLACK	NATURAL	Ø 1.5	115°	1445534-03
OBSOLETE	BLACK	NATURAL	Ø 1.5	130°	1445534-02
	BLACK	YELLOW	Ø 0.75	115°	1445534-01
	HOUSING COLOR	SEAL, WIRE ENTRY COLOR	Ø X REF	K REF	PART NUMBER

THIS DRAWING IS A CONTROLLED DOCUMENT.

DIMENSIONS:	TOLERANCES UNLESS OTHERWISE SPECIFIED:	DWN S. WIEST 07MAY2001	
mm	0 PLC ±0.5 1 PLC ±0.13 3 PLC ±0.013 4 PLC ±0.001 ANGLES ±0.001	CHK G. DOUITY 07MAY2001	
MATERIAL SEE CALLOUT	FINISH	APVD H. WAKEEM 12JUN2003	NAME ASSEMBLY, PLUG, SIZE 8, 3 POSITION, SEALED, MINI CPC PRODUCT SPEC - APPLICATION SPEC - SIZE CAGE CODE DRAWING NO A100779C=1445534 WEIGHT - CUSTOMER DRAWING
SCALE 5:1			SHEET 1 OF 1 REV C

# Mouser Electronics

Authorized Distributor

Click to View Pricing, Inventory, Delivery & Lifecycle Information:

[TE Connectivity:](#)

[1445534-3](#)