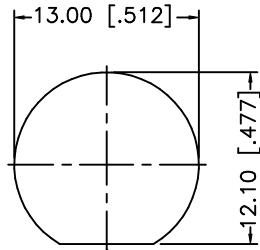
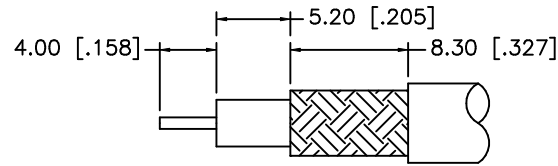


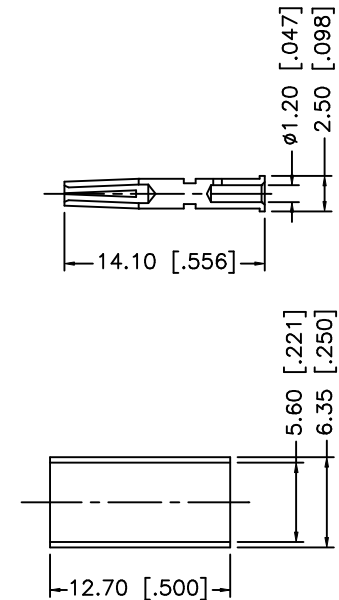
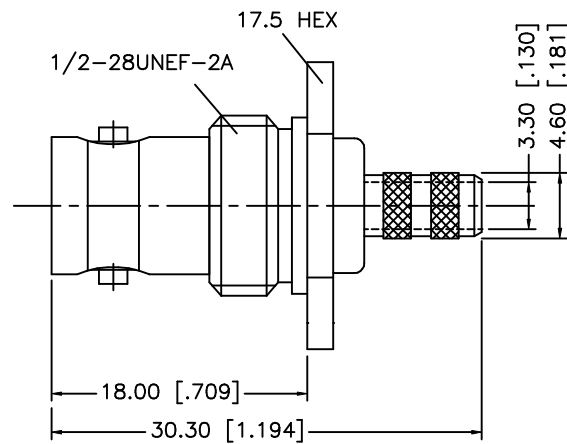
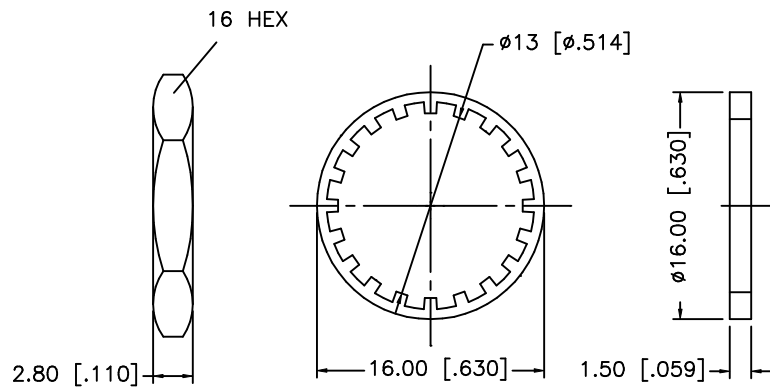
REV.	DATE	DESCRIPTION
NC	08/03/98	INITIAL RELEASE
A	01/24/07	UPDATE DRAWING FORMAT



RECOMMENDED MOUNTING HOLE



RECOMMENDED CABLE STRIPPING DIM'S



NOTE:

1. CRIMPED FERRULE HEX CRIMP SIZE .213"
2. CRIMPED CONTACT PIN HEX CRIMP SIZE .068"

8	FERRULE	COPPER	NICKEL	1
7	HEX NUT	BRASS	NICKEL	1
6	LOCK WASHER	BRASS	NICKEL	1
5	GASKET	SILICONE	RED	1
4	INSULATOR	TEFLON	NATURAL	1
3	CONTACT PIN	PHOS. BRONZE	GOLD	1
2	INSULATOR	TEFLON	NATURAL	1
1	BODY	BRASS	NICKEL	1
DESCRIPTION	MATERIAL	FINISH	QTY	

UNLESS OTHERWISE SPECIFIED DIMENSIONS ARE IN MILLIMETERS. DIMENSIONS IN [] ARE IN INCHES AND FOR CUSTOMER REFERENCE ONLY.

UNLESS OTHERWISE SPECIFIED TOLERANCES FOR MILLIMETERS ARE:
0.5 - 8mm ± 0.20mm
8 - 30mm ± 0.40mm
30 - 120mm ± 0.50mm

UNLESS OTHERWISE SPECIFIED TOLERANCES FOR INCHES ARE:
.020 - .315 ± 0.007"
.315 - 1.180 ± 0.015"
1.180 - 4.724 ± 0.020"

DO NOT SCALE DRAWING

APPROVALS	DATE
DRAWN G.R.S.	01/24/07
CHECKED	
ISSUED	
SHEET 1 OF 1	
CAD FILE	C:/112/112600.DWG

Amphenol Connex

PART DESCRIPTION			
BNC BULKHEAD CRIMP JACK - LMR200			
PART NO.		112600	
DWG. NO.	112600.DWG	REV.	A
SIZE	A	SCALE	NA

Mouser Electronics

Authorized Distributor

Click to View Pricing, Inventory, Delivery & Lifecycle Information:

[Amphenol:](#)

[112600](#)