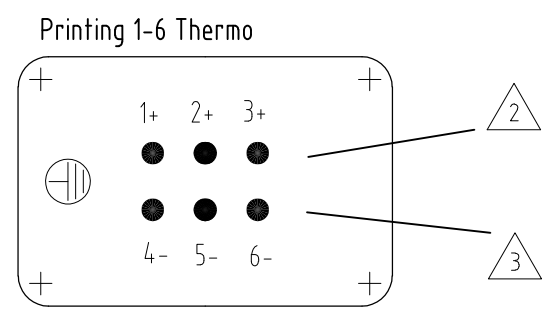
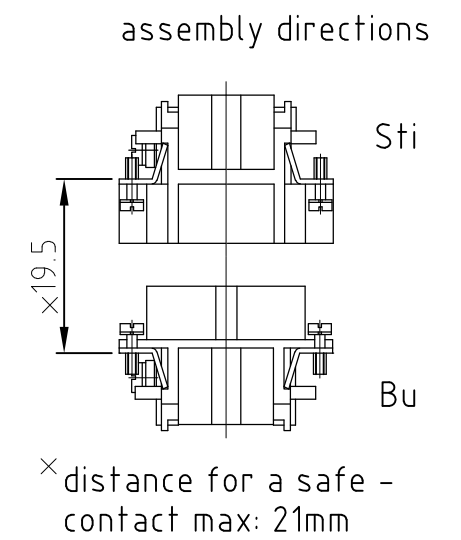
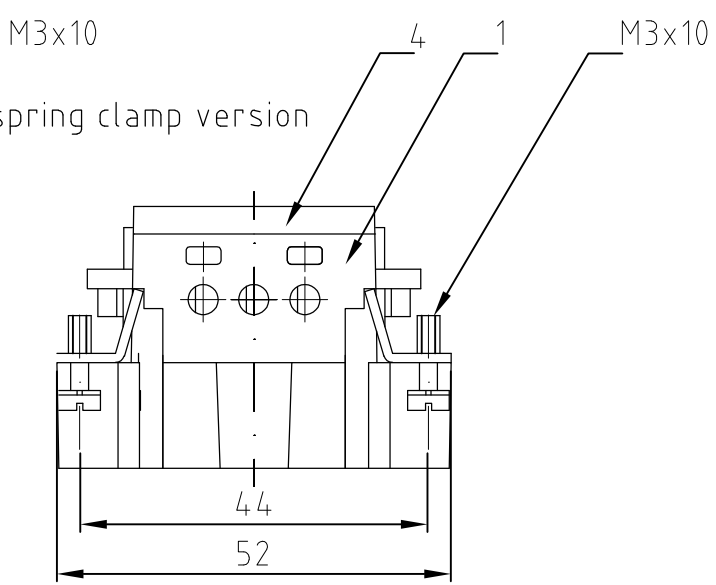
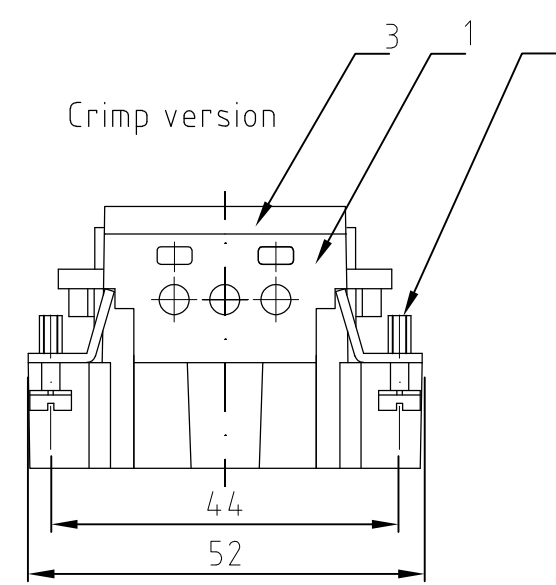
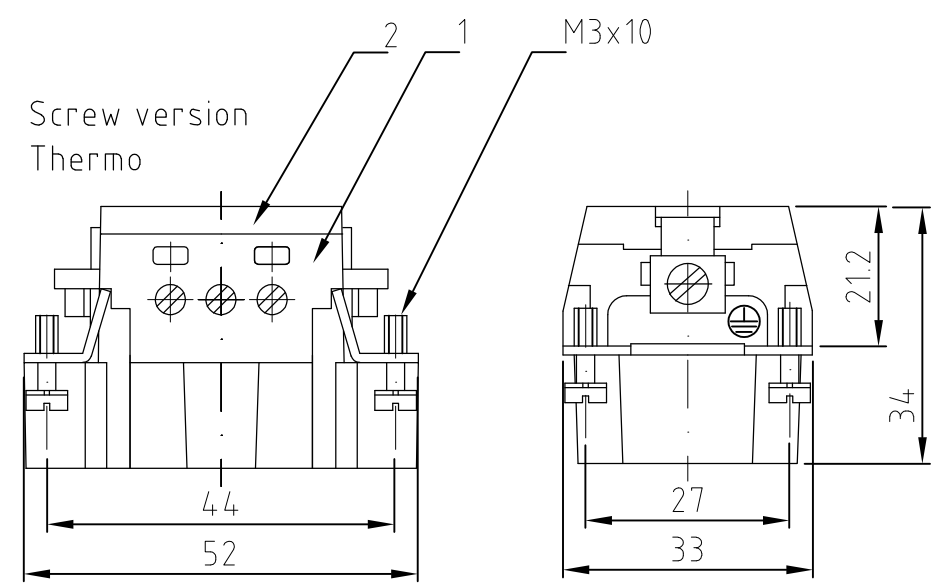
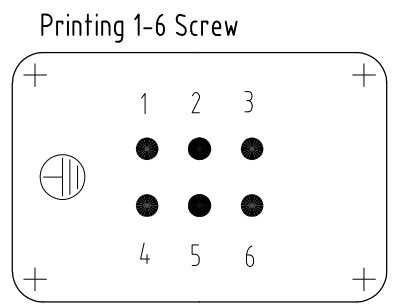


THIS DRAWING IS UNPUBLISHED.
 VERTRAULICHE UNVERÖFFENTLICHTE ZEICHNUNG
 © COPYRIGHT - By -
 RELEASED FOR PUBLICATION
 FREI FUER VERÖFFENTLICHUNG
 ALL RIGHTS RESERVED.
 ALLE RECHTE VORBEHALTEN

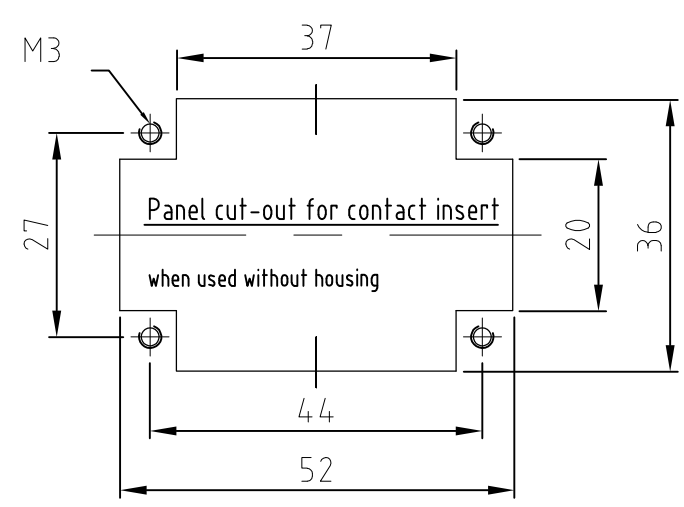
REVISIONS ÄNDERUNGEN		DATE	DWN	APVD
P	LTR	DESCRIPTION BESCHREIBUNG		
	A7	AS PER ECR-16-009336	07DEC2016	GCM MKO



Contact arrangement
 view from termination side



- NOTES:
- 1 SUITABLE CRIMP CONTACTS: SERIES HE/HA
 OUTER DIMENSIONS OF INSULATION: MAX. Ø3,2 MM
 - 2 SUITABLE HOOD SIZE 5; 7; 9; 11: SERIES HA; HD
 SUITABLE INSERTION AND EXTRACTION TOOL:
 SCREWDRIVER 0,5x3 DIN 5264
 - 3 Strip length: Screw connection 10mm
 Spring clamp connection 10mm Crimp connection 7.5mm
 - 4 STANDARDS:
 DIN EN 61984; DIN EN 60664-1
 - 5 PACKAGING:
 5 SETS IN A CARTON, PRE-MOUNTED
 - 6 SPECIAL PACKAGING: Krauss-Maffei
 PACKAGING UNIT: 150 PIECES



OB	OB	OB	OB	OB	OB	DESCRIPTION	MATERIAL	COLOR	ITEM NO. POS.	NOTES
		1				cover spring clamp version		light grey	4	
			1			cover crimp version		light grey	3	
				1		cover screw version		light grey	2	
					1	pin insert		light grey	1	
0-2	0-1	17-1	2-3	1-7	1-1					
4	4	5	5	5	5					
HE-6.Sti.S-KM	HE-6.Sti.S-AU	HE-6.Sti.S-SC	HE-6.Sti.S-C	HE-6.Sti.S-T	HE-6.Sti.S					

THIS DRAWING IS A CONTROLLED DOCUMENT. DIESE ZEICHNUNG IST EIN KONTROLLIERTES DOKUMENT.		DWN Gräf 16.02.1999	 TE Connectivity Male insert Stifteinsatz HE.6.STI
DIMENSIONS: MASSE/NEHMEN: mm		CHK Schweiger 18.02.1999	
TOLERANCES UNLESS OTHERWISE SPECIFIED: ALLGEMEINTOLERANZEN		APVD -	
0 PLC ± - 1 PLC ± - 2 PLC ± - 3 PLC ± - 4 PLC ± - ANGLES / WINKEL ± -		NAME	
MATERIAL		PRODUCT SPEC PRODUKTSPEZ.	SIZE
FINISH/OBERFLAECHE/FARBE		APPLICATION SPEC. VERARBEITUNGSSPEZ.	CAGE CODE
		WEIGHT GEWICHT	DRAWING NO. ZEICHNUNGS-NR.
		A3 00779 C-1103634	
ORDERING TEXT		RESTRICTED TO NUR FUER	
CUSTOMER DRAWING/KUNDENZEICHNUNG		SCALE MASSSTAB 1:1	SHEET BLATT 1 OF 1 VON 1
		REV A7	

Mouser Electronics

Authorized Distributor

Click to View Pricing, Inventory, Delivery & Lifecycle Information:

[TE Connectivity:](#)

[1-1103634-1](#)