

THIS DRAWING IS UNPUBLISHED. RELEASED FOR PUBLICATION
 © COPYRIGHT - By - ALL RIGHTS RESERVED.

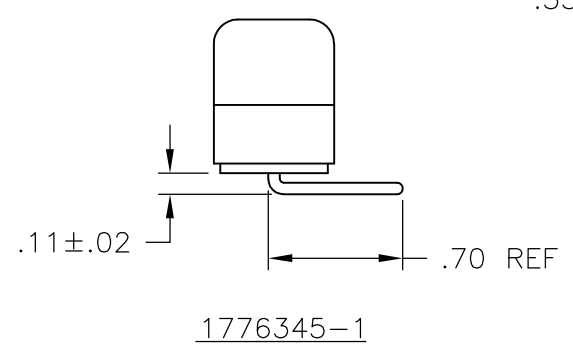
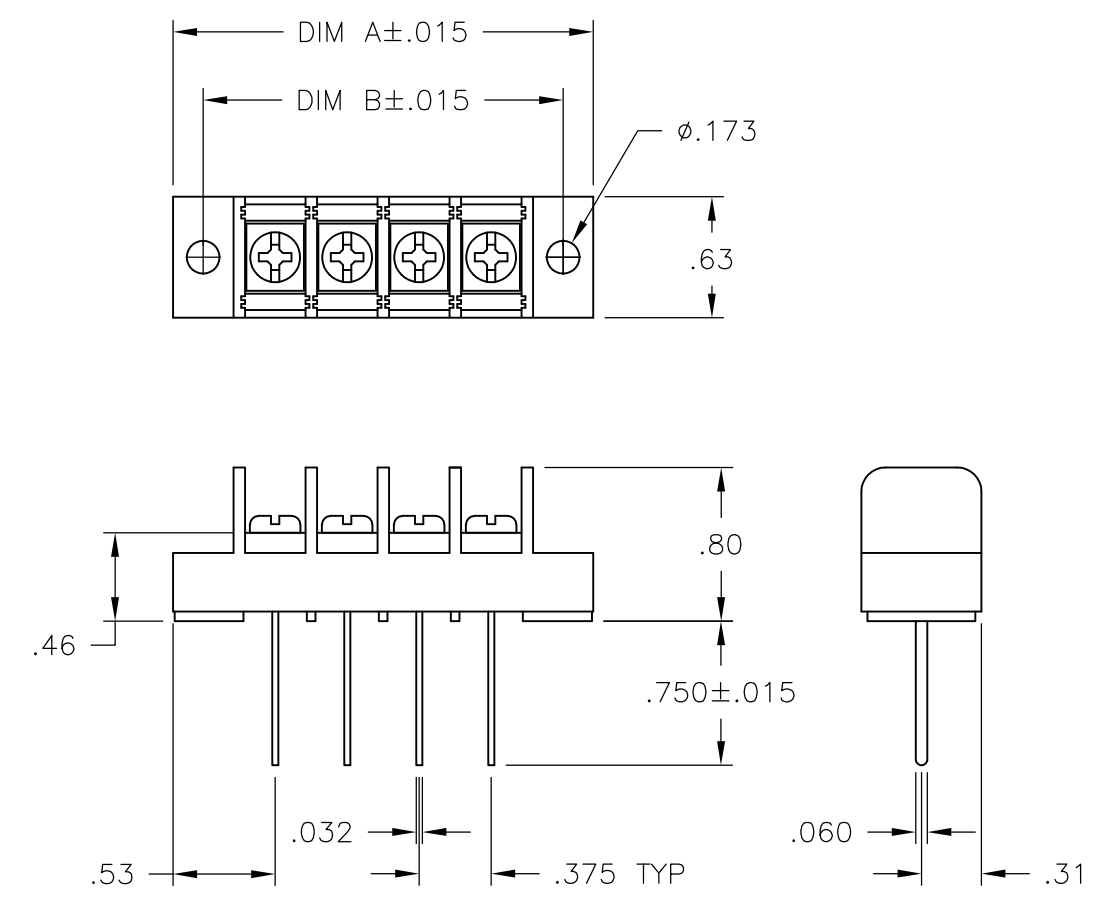
LOC	DIST	REVISIONS				
P	LTR	DESCRIPTION	DATE	DWN	APVD	
FT	0	E	REVISED PER ECO-13-014762	19SEP13	KH MM	

MATERIAL:
 HOUSING: THERMOPLASTIC, UL94V-0, BLACK.
 TERMINALS: BRIGHT TIN OVER COPPER ALLOY.
 SCREWS: #6-32 STEEL, ZINC PLATING W/ CLEAR CHROMATE. (EXCEPT WHERE NOTED.)

ELECTRICAL:
 CURRENT RATING UL/CSA:
 CLASS C: 20A, 300V
 CLASS D: 5A, 600V
 WIRE RANGE: 12-22 AWG

MECHANICAL:
 RECOMMENDED TORQUE: 7 IN-LB.
 OPERATING TEMP.: 105°C MAX.

- ① BRASS SCREWS.
- ② STAINLESS STEEL SCREWS.



OBSOLETE	9.000	9.314	23	JC6-W207-23	1-1546703-9
OBSOLETE	8.625	8.939	22	JC6-W207-22	1-1546703-8
OBSOLETE	8.250	8.564	21	JC6-W207-21	1-1546703-7
OBSOLETE	7.875	8.189	20	JC6-W207-20	1-1546703-6
OBSOLETE	7.500	7.814	19	JC6-W207-19	1-1546703-5
OBSOLETE	7.125	7.439	18	JC6-W207-18	1-1546703-4
OBSOLETE	6.750	7.064	17	JC6-W207-17	1-1546703-3
OBSOLETE	6.375	6.689	16	JC6-W207-16	1-1546703-2
OBSOLETE	6.000	6.314	15	JC6-W207-15	1-1546703-1
OBSOLETE	5.625	5.939	14	JC6-W207-14	1-1546703-0
	5.250	5.564	13	JC6-W207-13	1546703-9
	4.875	5.189	12	JC6-W207-12	1546703-8
	4.500	4.814	11	JC6-W207-11	1546703-7
	4.125	4.439	10	JC6-W207-10	1546703-6
	3.750	4.064	9	JC6-W207-09	1546703-5
①	3.375	3.689	8	JC6-W205-08	3-796985-1
	3.375	3.689	8	JC6-W207-08	1546703-4
	3.000	3.314	7	JC6-W207-07	1546703-3
	2.625	2.939	6	JC6-W207-06	796985-5
	2.250	2.564	5	JC6-W207-05	1-1437666-9
②	1.875	2.189	4	JC6-W207-04-227	1776345-1
	1.875	2.189	4	JC6-W207-04	1546703-2
①	1.500	1.814	3	JC6-W205-03	1776345-2
	1.500	1.814	3	JC6-W207-03	1546703-1
	1.125	1.439	2	JC6-W207-02	1-1437666-8
	DIM B	DIM A	NO OF POS	CATALOG NUMBER	PART NUMBER

THIS DRAWING IS A CONTROLLED DOCUMENT.		DWN S SCHLEGEL 5/27/03	STE TE Connectivity		
DIMENSIONS: INCHES		CHK S. YODER 5/27/03			
TOLERANCES UNLESS OTHERWISE SPECIFIED:		APVD S. YODER 5/27/03	NAME		
0 PLC ± -		PRODUCT SPEC	JC6-W207-XX ASSEMBLY		
1 PLC ± -		APPLICATION SPEC	SIZE	CAGE CODE	DRAWING NO
2 PLC ± .01		WEIGHT -	A3	00779	C-1-1437666-8
3 PLC ± .005		CUSTOMER DRAWING	SCALE	SHEET	REV
4 PLC ± -			NTS	1 OF 1	E
ANGLES ± -					
FINISH -					

Mouser Electronics

Authorized Distributor

Click to View Pricing, Inventory, Delivery & Lifecycle Information:

[TE Connectivity:](#)

[JC6-W207-02](#)