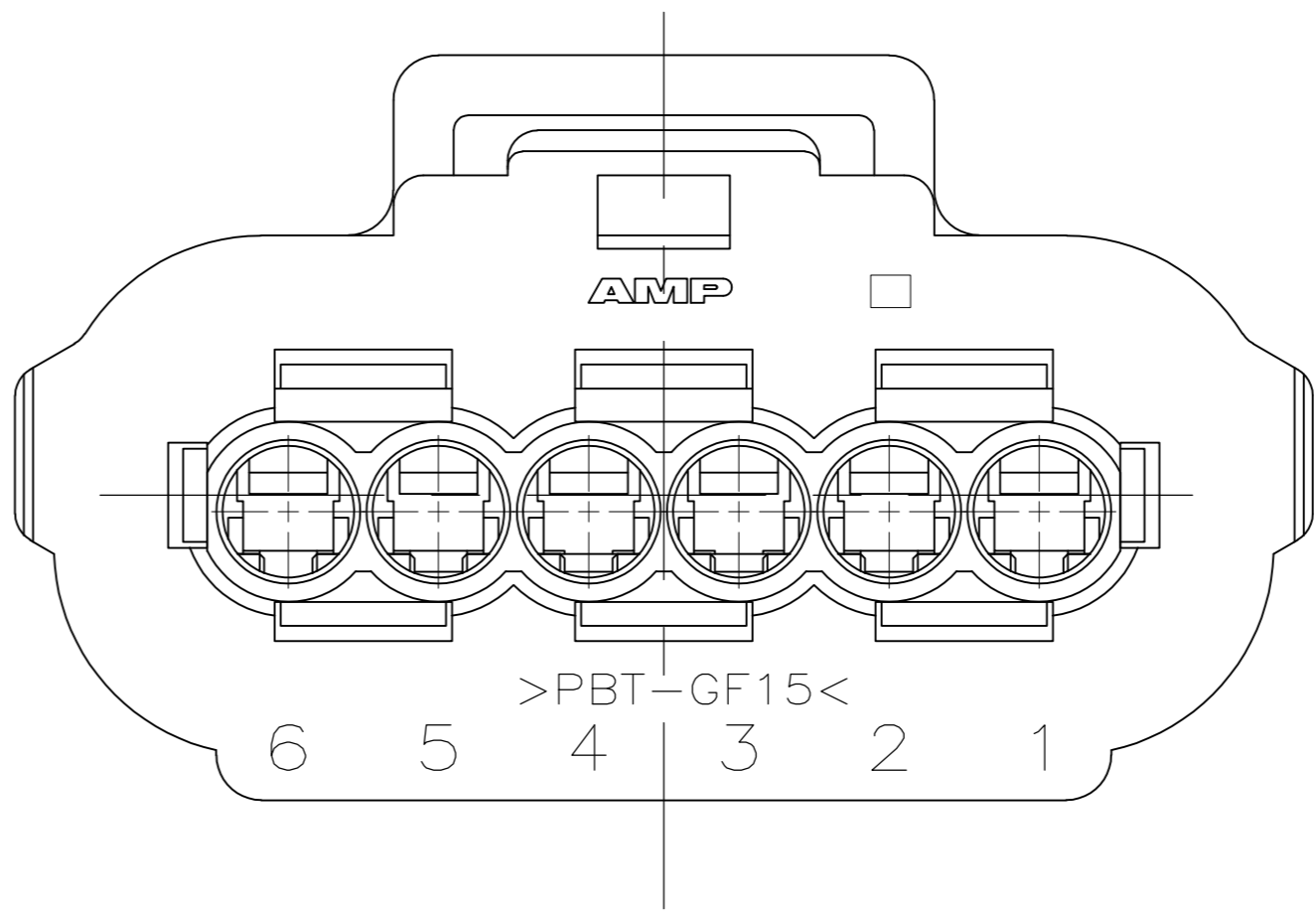
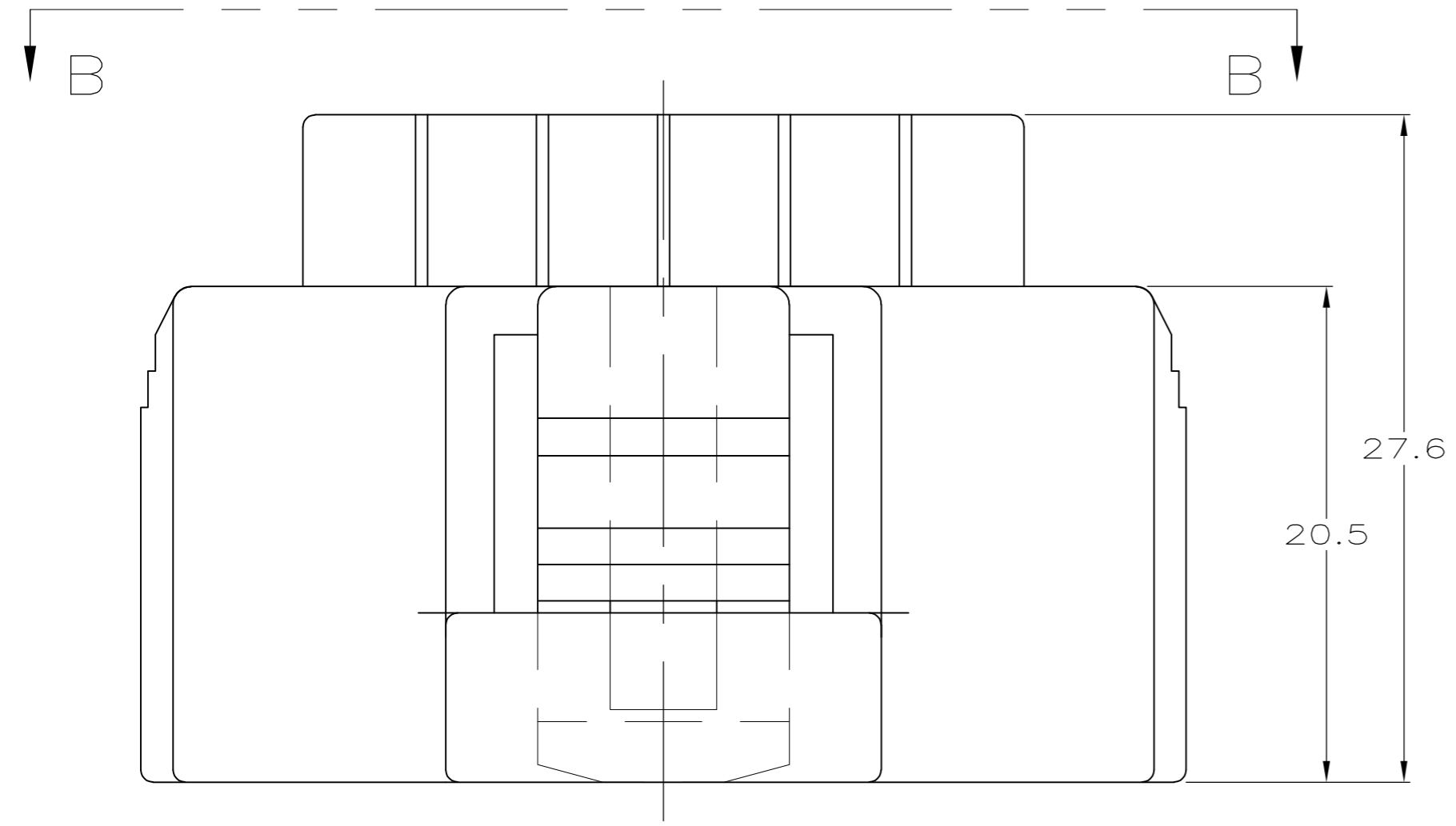
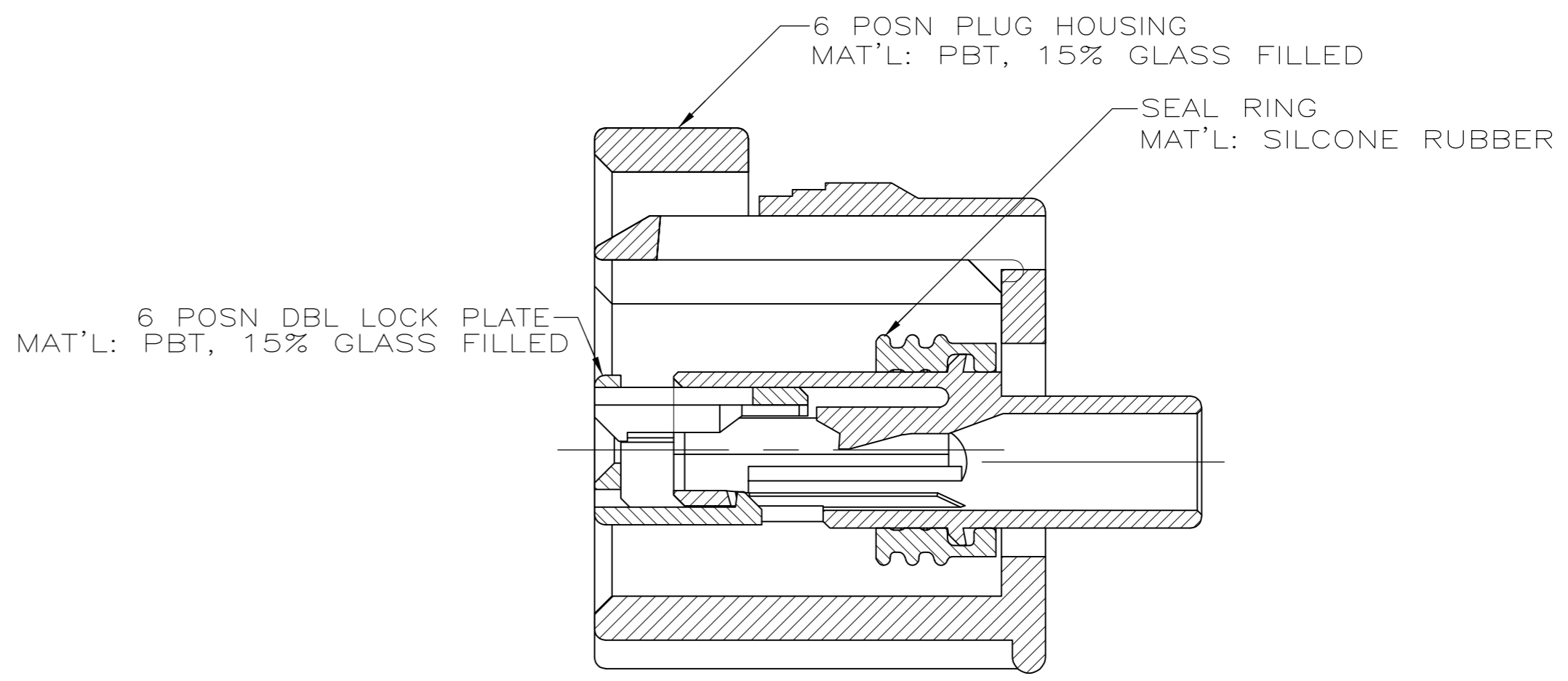
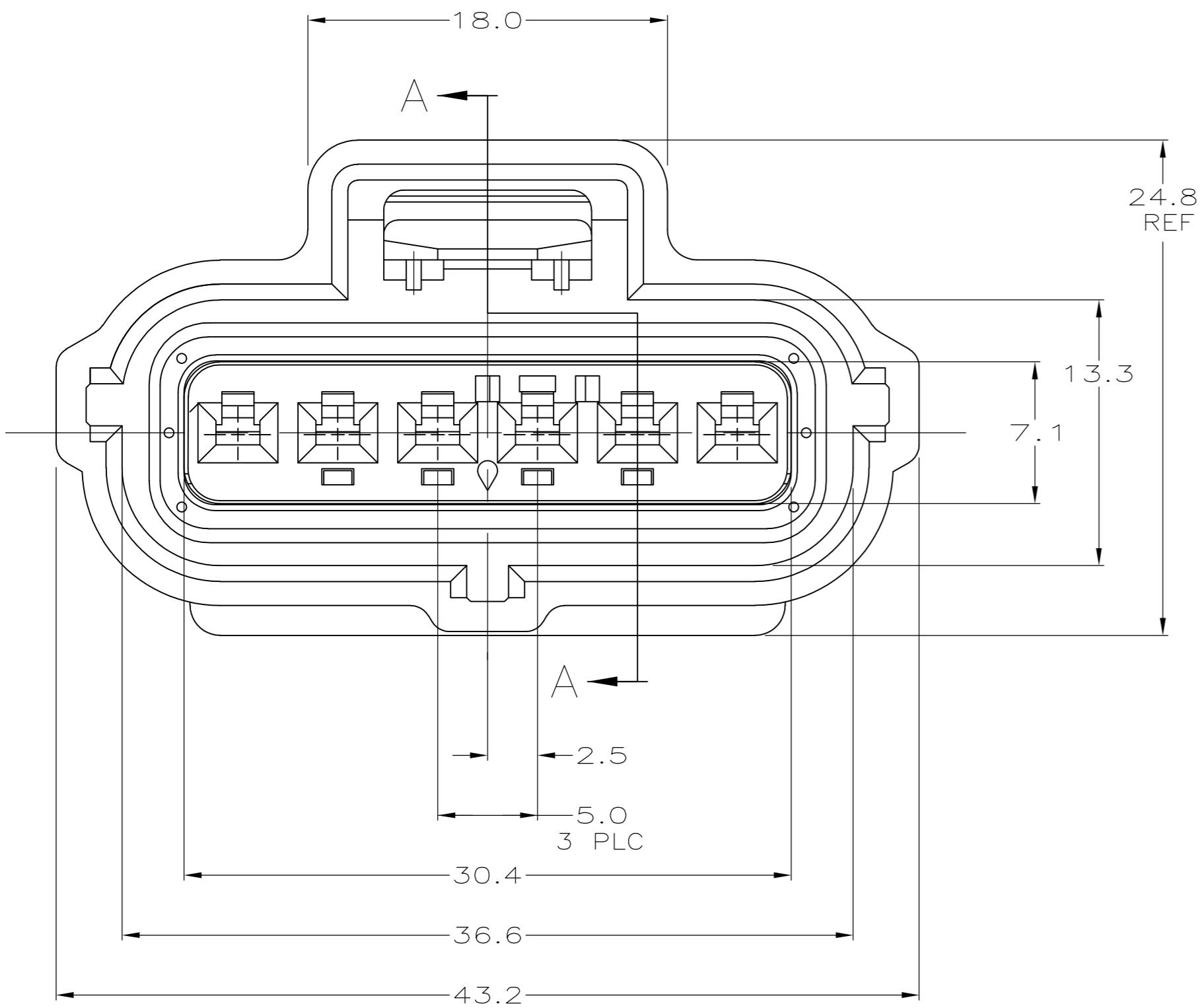


THIS DRAWING IS UNPUBLISHED. RELEASED FOR PUBLICATION
 © COPYRIGHT - By - ALL RIGHTS RESERVED.

LOC		DIST		REVISIONS			
P	LTR	DESCRIPTION		DATE	DWN	APVD	
G	16	C1	REVISED PER ECO-11-005030		11MAR11	RK	HMR



VIEW B-B



SECTION A-A

184060-1
 PART NUMBER

THIS DRAWING IS A CONTROLLED DOCUMENT.		DWN	KD LYTLE	09/22/95	STE TE Connectivity
DIMENSIONS: mm		CHK	CT HYRB	09/29/95	
TOLERANCES UNLESS OTHERWISE SPECIFIED:		APVD	-	-	NAME
0 PLC	± -	PRODUCT SPEC	-	-	1 X 6 PLG ASY KEY A-C3
1 PLC	± 0.3	APPLICATION SPEC	-	-	-
2 PLC	± -	WEIGHT	-	-	SIZE
3 PLC	± -	CUSTOMER DRAWING	-	-	A2
4 PLC	± -	SCALE	4:1	SHEET	1 of 1
ANGLES	#° -	FINISH	-	REV	C1

Mouser Electronics

Authorized Distributor

Click to View Pricing, Inventory, Delivery & Lifecycle Information:

[TE Connectivity:](#)

[184060-1](#)