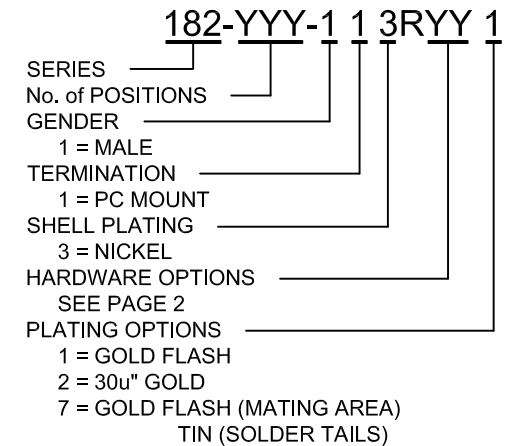
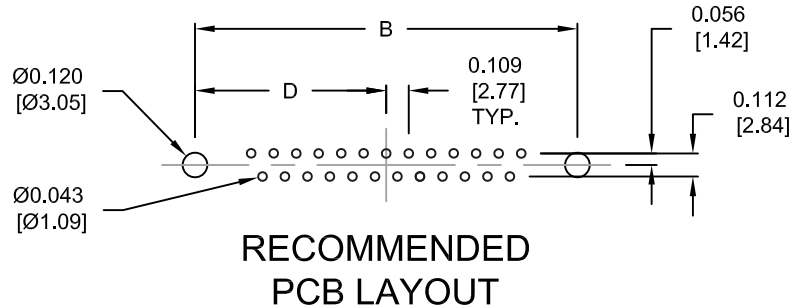
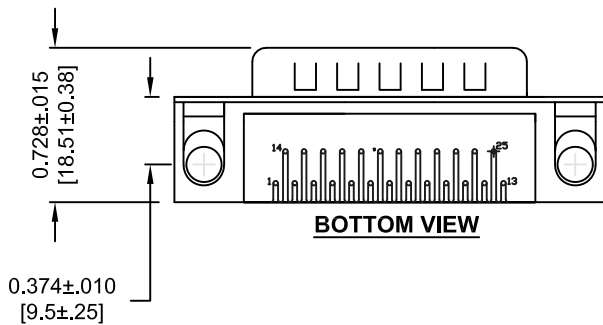
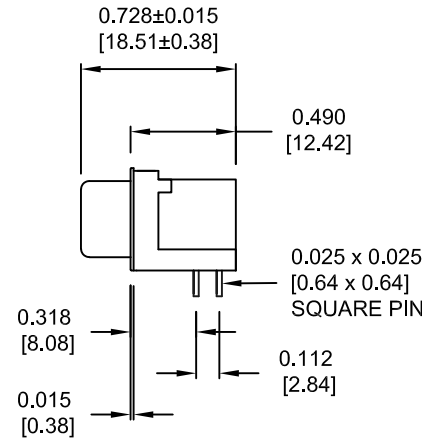
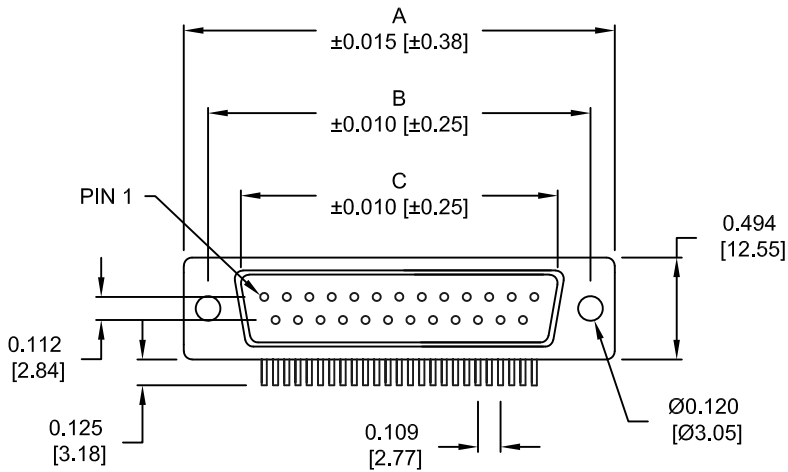


DESCRIPTION: R/A - 0.318 - MALE - ECONOMY - D SUB

25-PIN SHOWN

| No. OF PINS | DIMENSIONS | | | |
|-------------|------------|-------|-------|-------|
| | A | B | C | D |
| 009 | 1.213 | 0.984 | 0.666 | 0.492 |
| | 30.80 | 24.99 | 16.92 | 12.50 |
| 015 | 1.541 | 1.312 | 0.994 | 0.656 |
| | 39.14 | 33.32 | 25.25 | 16.66 |
| 025 | 2.088 | 1.852 | 1.534 | 0.926 |
| | 53.04 | 47.04 | 38.96 | 23.52 |
| 037 | 2.729 | 2.500 | 2.181 | 1.250 |
| | 69.32 | 63.50 | 55.40 | 31.75 |



MATERIAL:

- SHELL: SPCC, NICKEL PLATED
- INSULATOR: UL 94V-O RATED, BLACK, 260° PA9T
- CONTACT: BRASS, GOLD PLATED
- RIVET: COPPER ALLOY, NICKEL PLATED
- SCREWLOCK: ZINC ALLOY, NICKEL PLATED
- BOARDLOCK: SPCC, TIN PLATED

ELECTRICAL:

- CURRENT RATING: 5 AMPS
- DIELECTRIC STRENGTH: 1,000VAC rms
- INSULATION RESISTANCE: 1,000 MOHMS MIN
- CONTACT RESISTANCE: 15 mOHM MAX
- TEMPERATURE: -55°C TO +105°C

GENERAL TOLERANCES
 ± 0.006 [0.15]
 HOLE : ± 0.005 [0.13]

DO NOT SCALE FROM DRAWING



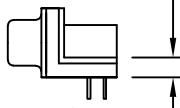
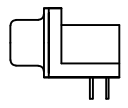
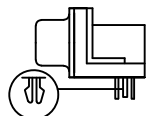
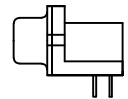
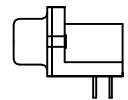
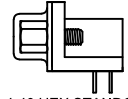
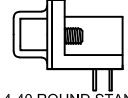
THESE DRAWINGS AND SPECIFICATIONS ARE THE PROPERTY OF NorComp AND SHALL NOT BE REPRODUCED, COPIED OR USED AS THE BASIS FOR THE MANUFACTURE OF SALE OF APPARATUS WITHOUT WRITTEN PERMISSION.

| | | | |
|-------------------------|------------|-------------------|-----------|
| DRAWN: PAM JENKINS | | DATE: 03-17-05 | |
| SCALE: NTS | SHEET 1 | OF 2 | REV 10 |
| DWG NO. 182-YYY-113RYY1 | | | |


RoHS COMPLIANT

NorComp

DESCRIPTION: RIGHT ANGLE HARDWARE OPTIONS

| |  <p>0.141 ±0.020 METAL SHELL WITH INSIDE GROUND STRAPS</p> |  <p>METAL SHELL</p> |  <p>METAL SHELL FORK BOARD LOCKS</p> |
|---|--|--|---|
|  <p>.120" DIA. HOLE</p> | 16 | 43 | 55 |
|  <p>4-40 FLUSH INSERT</p> | 17 | 45 | 53 BOARD LOCKS IN HOLE |
|  <p>4-40 HEX STANDOFF FEMALE SCREWLOCK</p> | 18 | 48 | 56 BOARD LOCKS IN HOLE |
|  <p>4-40 ROUND STANDOFF FEMALE SCREWLOCK</p> | N/A | N/A | N/A |

DO NOT SCALE FROM DRAWING

| | | | |
|--|---|-------------------------|-------------------|
|  | THESE DRAWINGS AND SPECIFICATIONS ARE THE PROPERTY OF NorComp AND SHALL NOT BE REPRODUCED, COPIED OR USED AS THE BASIS FOR THE MANUFACTURE OF SALE OF APPARATUS WITHOUT WRITTEN PERMISSION. | DRAWN: PAM JENKINS | DATE: 03-17-05 |
| | | SCALE: NTS | SHEET OF 2 2 |
| <h1>NorComp</h1> | | DWG NO. 182-YYY-113RYY1 | |

RoHS COMPLIANT