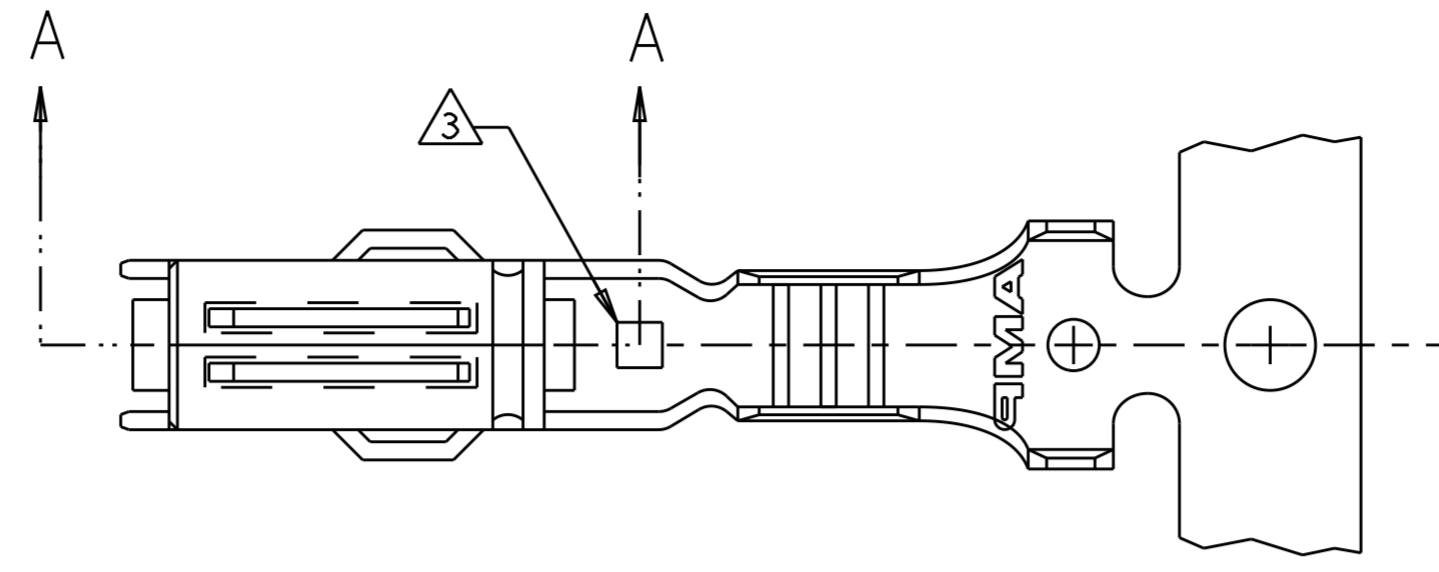
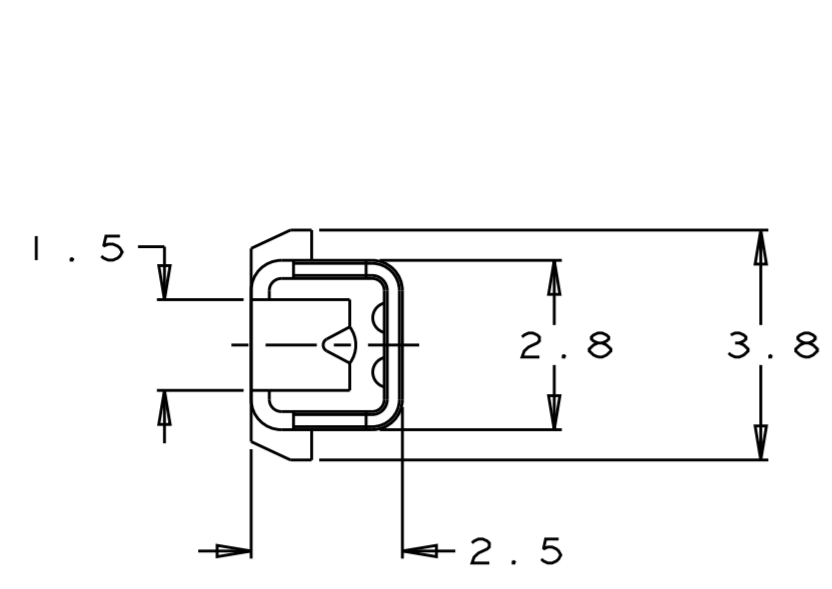


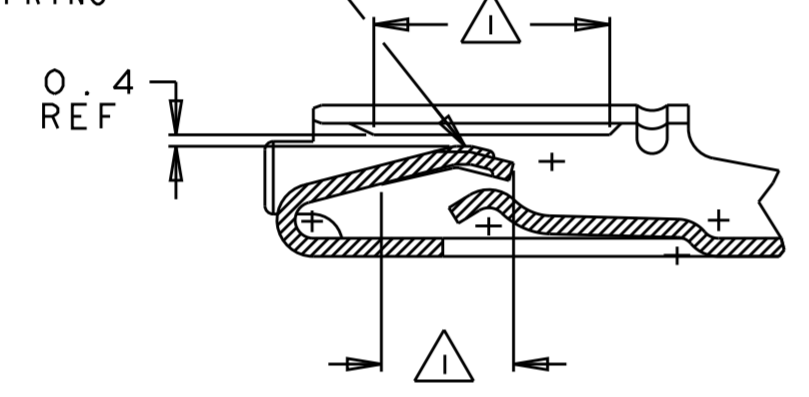
THIS DRAWING IS UNPUBLISHED. RELEASED FOR PUBLICATION
 © COPYRIGHT - BY - ALL RIGHTS RESERVED.

REVISIONS				
P	LTR	DESCRIPTION	DATE	APVD
H5		REVISED PER ECO-16-011163	08SEP2016	DD AH
H6		REVISED PER ECO-17-014752	10OCT2017	JMS AH

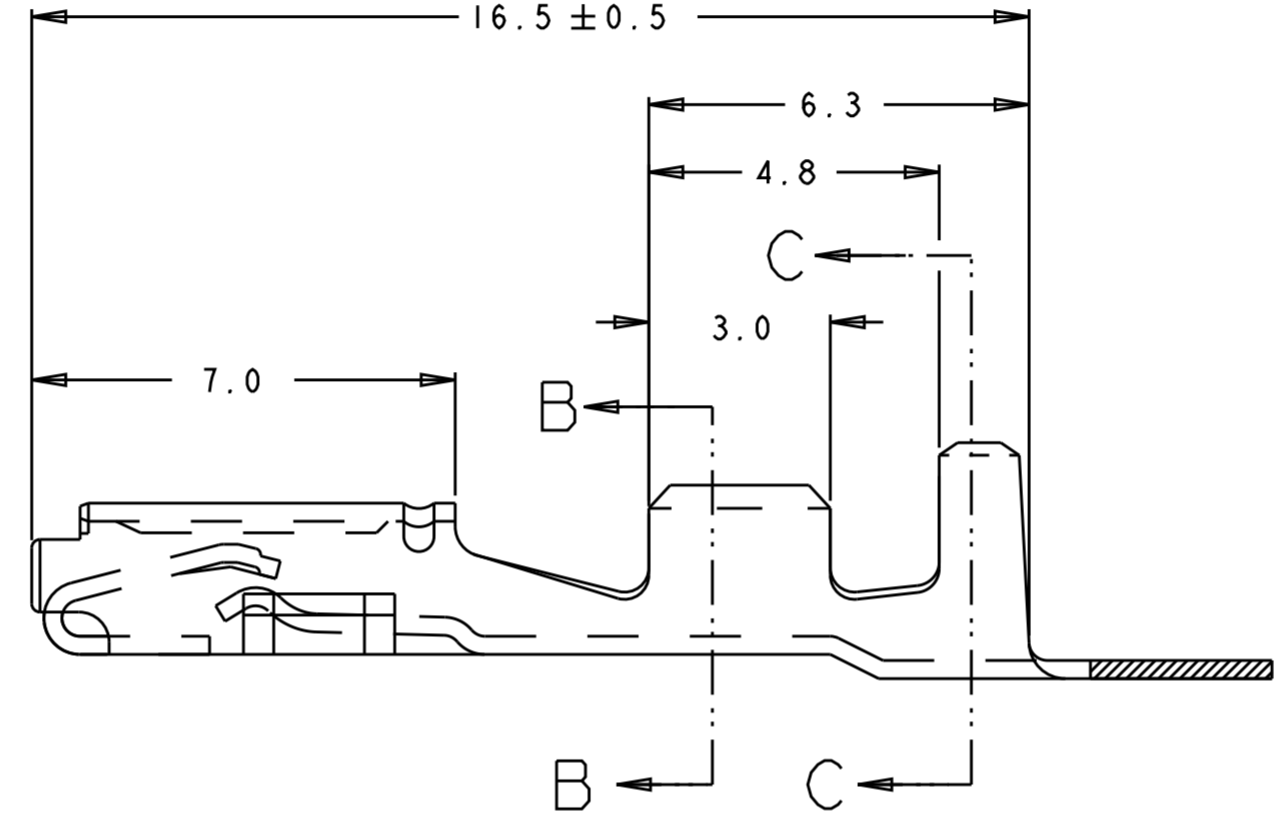


- ① 0.00076 MINIMUM THICK GOLD PLATE OVER 0.0013 MINIMUM NICKEL PLATE.
- ② 0.0008 MINIMUM THICK PRE-TIN.
- ③ 0.75 x 0.75 DIE IDENTIFICATION MARK.

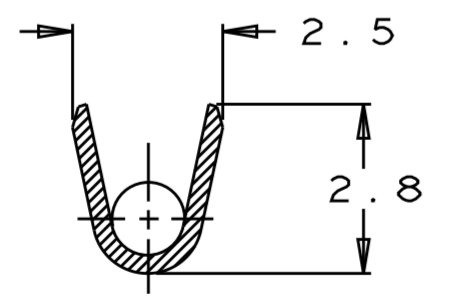
GOLD PLATING IDENTIFIED IS ON TOP SPRING



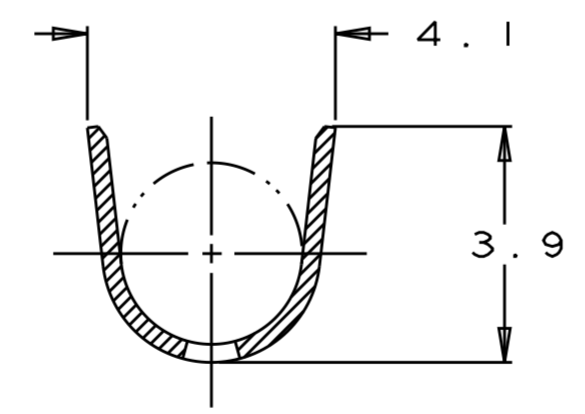
SECTION A-A



SECTION C-C



SECTION B-B



②	1.2-2.1 (SINGLE WIRE SEALING)	AVS 0.3 - 1.00mm ²	184095-2
①	1.2-2.1 (SINGLE WIRE SEALING)	AVS 0.3 - 1.00mm ²	184095-1
FINISH	INSULATION DIA	WIRE RANGE	PART NUMBER

THIS DRAWING IS A CONTROLLED DOCUMENT.

DIMENSIONS: mm	TOLERANCES UNLESS OTHERWISE SPECIFIED:	DWN KD LYLE 9/20/94	TE Connectivity
		CHK JP KUNKLE 9/23/94	
		APVD JP KUNKLE 10/21/94	
		PRODUCT SPEC	
MATERIAL PHOS BRZ (0.3 THK)		APPLICATION SPEC	NAME CONTACT, RECEPTACLE, .070 TYPE (SCAT VERSION)
		WEIGHT	SIZE A2
		CUSTOMER DRAWING	CAGE CODE 00779
			DRAWING NO C-184095
			RESTRICTED TO
			SCALE 10:1 SHEET 1 OF 1 REV H6

Mouser Electronics

Authorized Distributor

Click to View Pricing, Inventory, Delivery & Lifecycle Information:

[TE Connectivity:](#)

[184095-1](#)