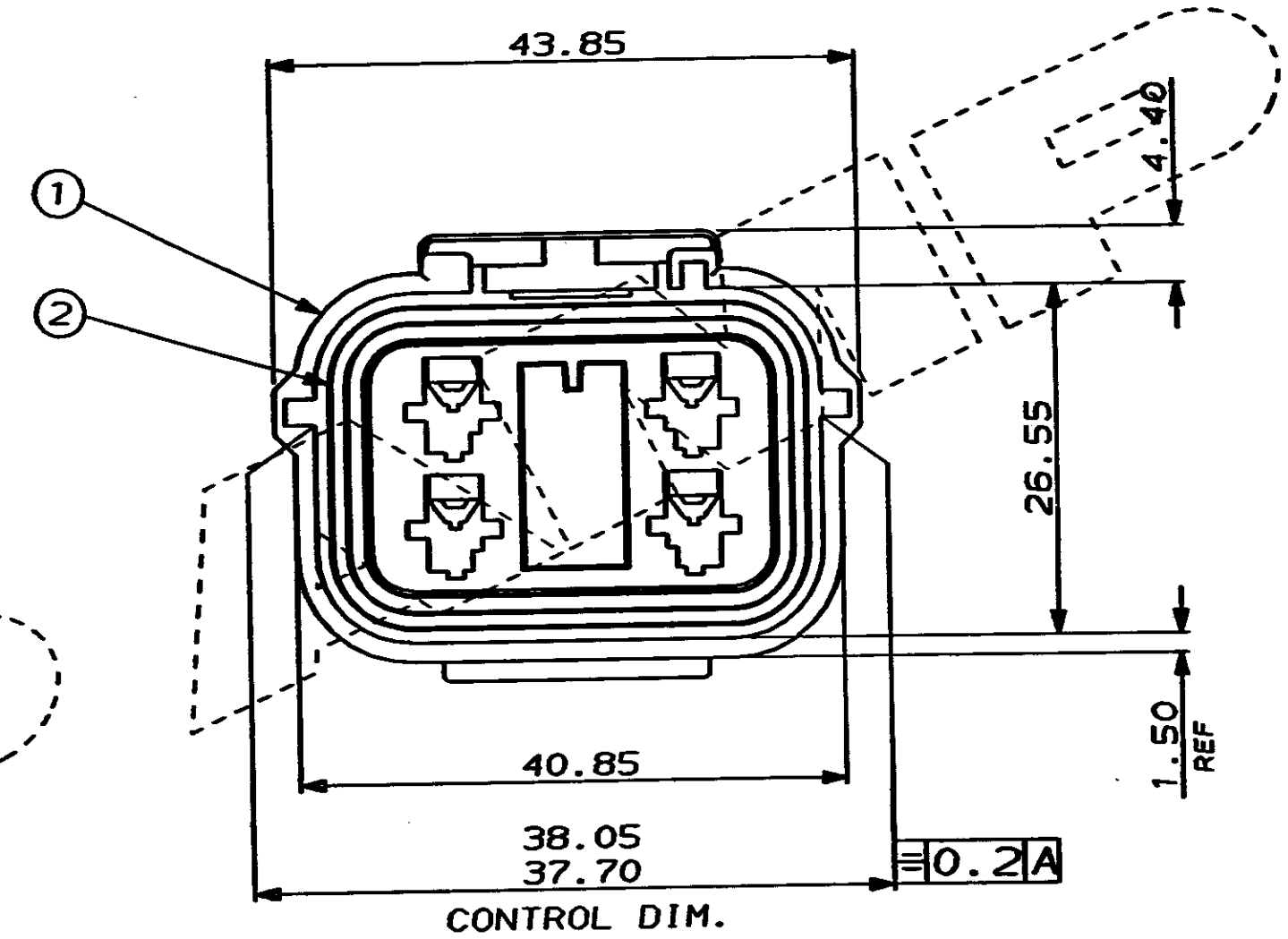
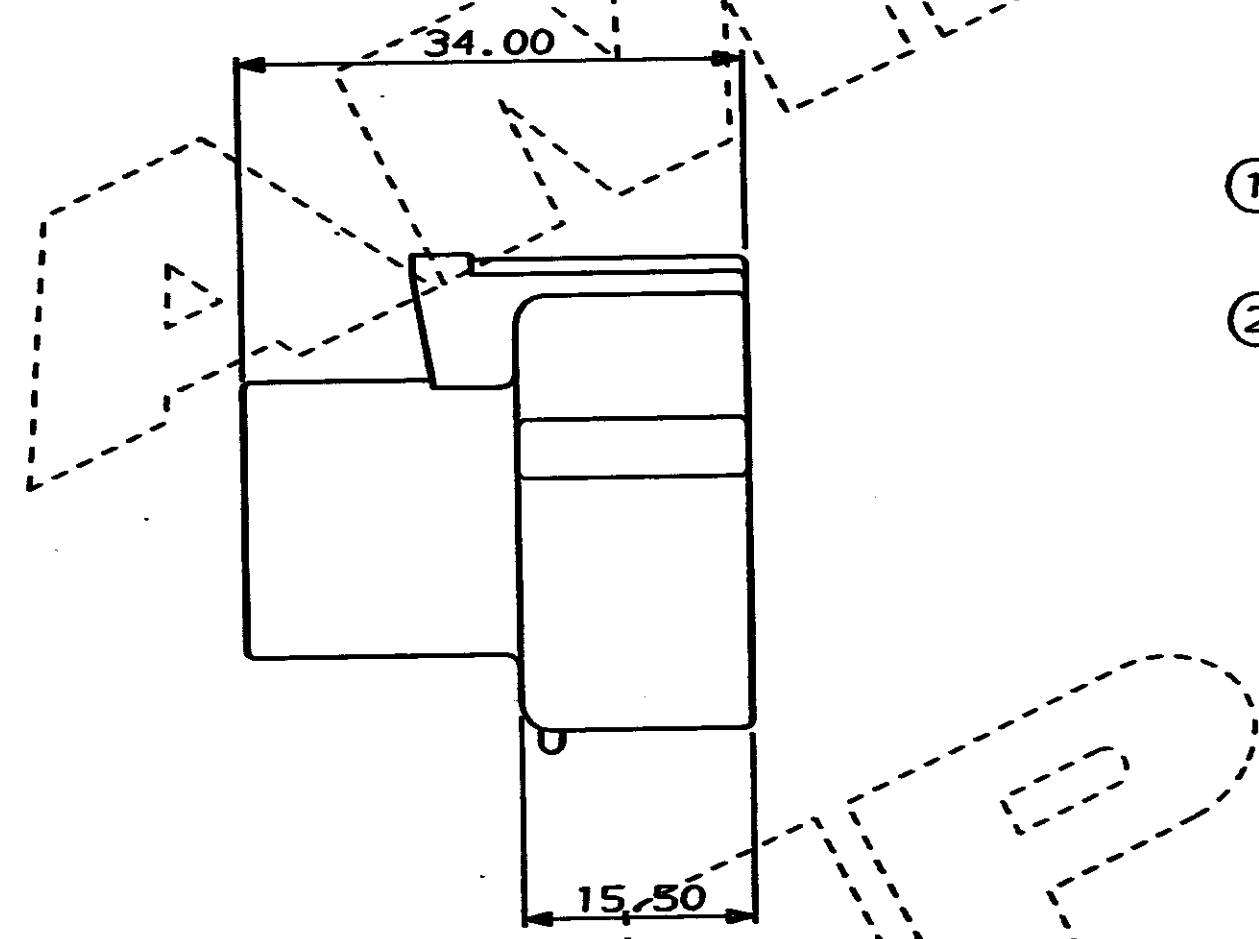
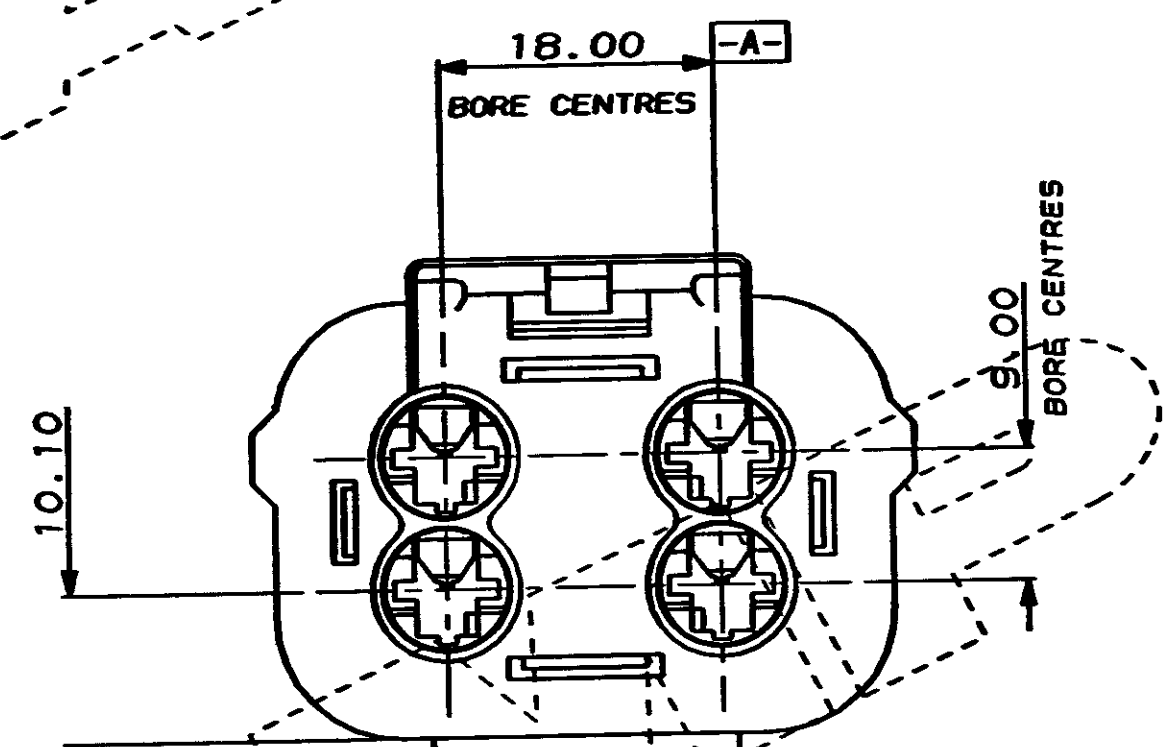
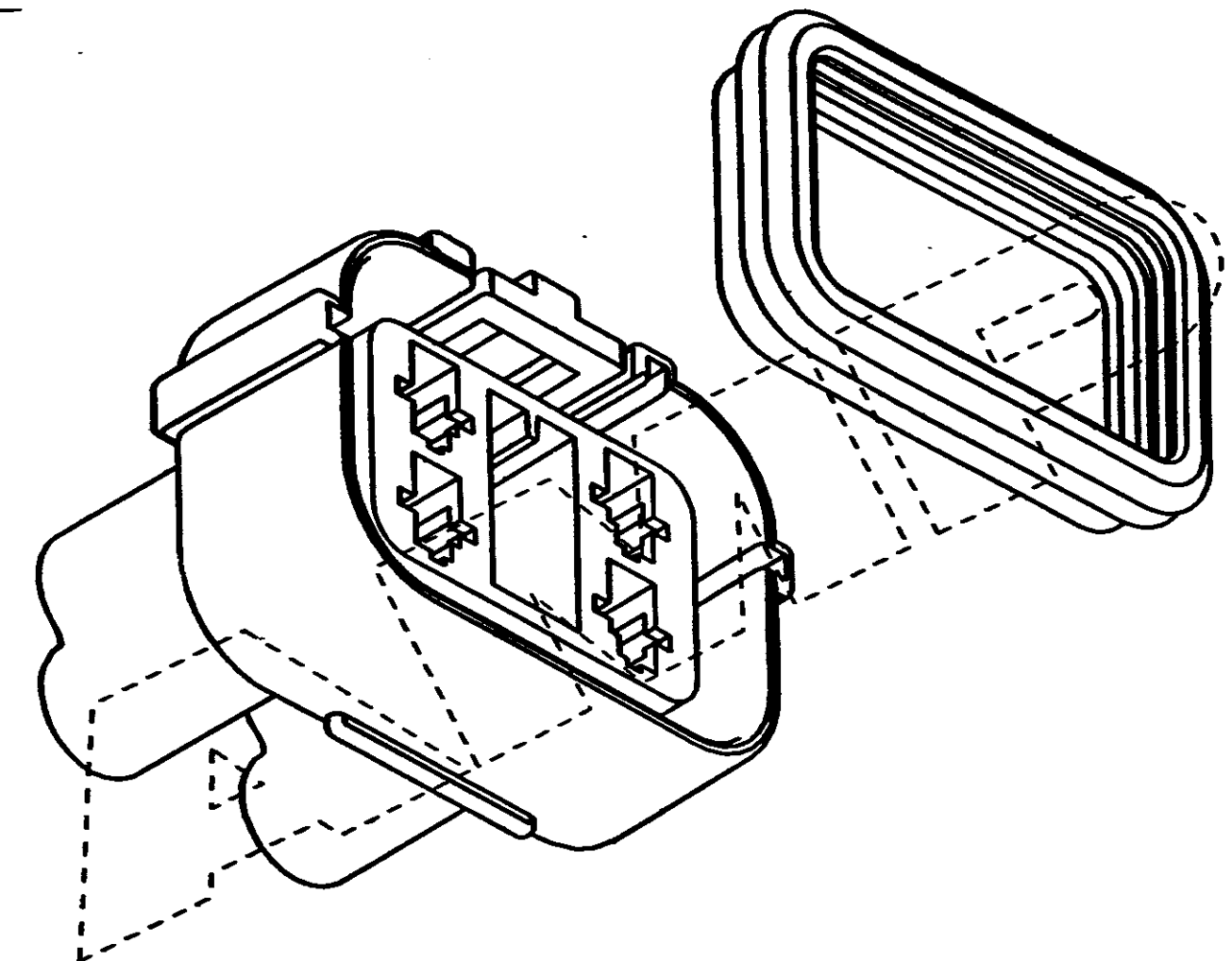
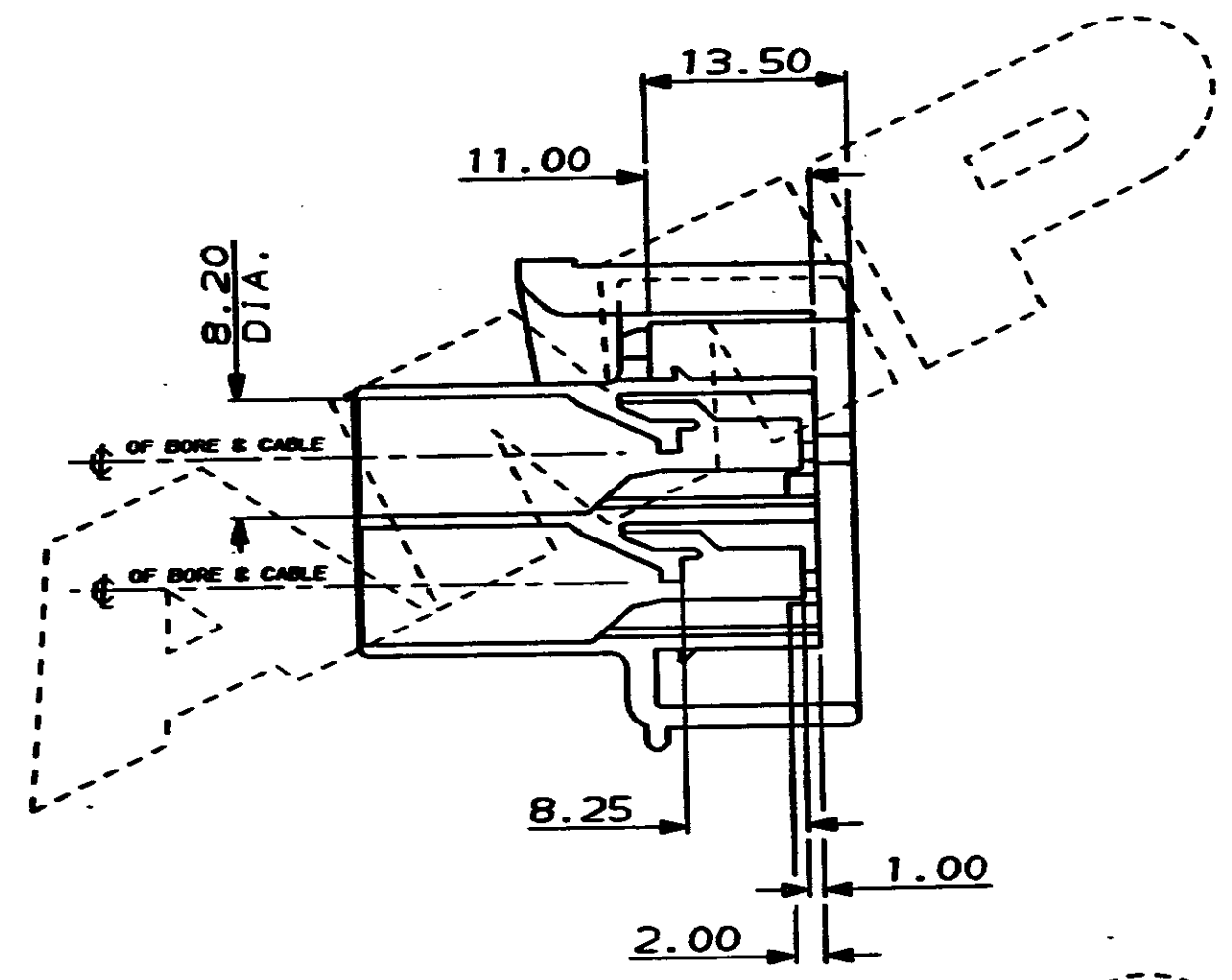
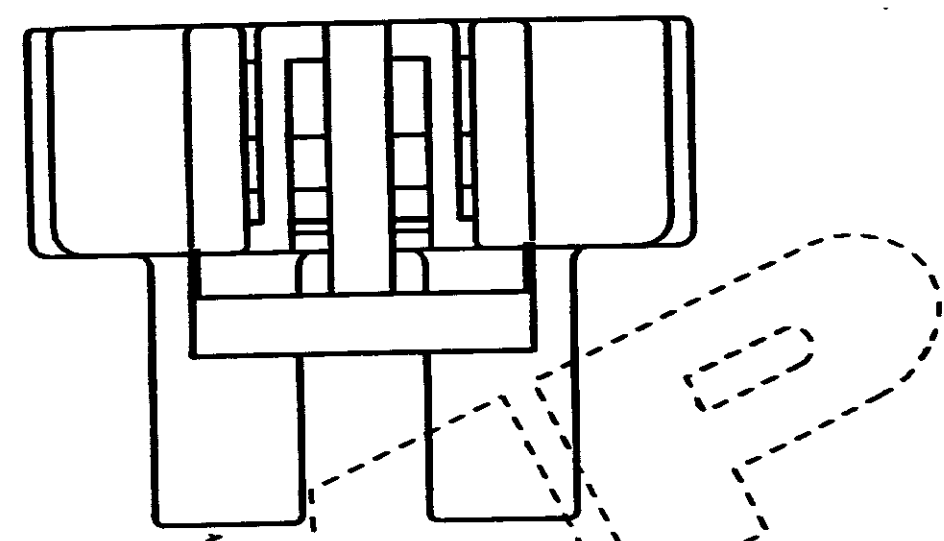


C.A.D. FILE CODE  
344080

DO NOT SCALE DIMENSIONS IN MM.



ITEM No.	MATERIAL	PART No.	DESCRIPTION	QTY. PER ASSY.	ASSEMBLY PART No.
2		347712-1	PERIPHERAL SEAL	1	344080-4 (WHITE)
1	NYLON 66	344077-4	4 WAY REC. HSG.	1	344080-3 (BLUE)
2		347712-1	PERIPHERAL SEAL	1	344080-3 (BLUE)
1	NYLON 66	344077-3	4 WAY REC. HSG.	1	344080-2 (RED)
2		347712-1	PERIPHERAL SEAL	1	344080-2 (RED)
1	NYLON 66	344077-2	4 WAY REC. HSG.	1	344080-1 (BLACK)
2		347712-1	PERIPHERAL SEAL	1	344080-1 (BLACK)
1	NYLON 66	344077-1	4 WAY REC. HSG.	1	

**CUSTOMER DWG**  
FOR REFERENCE ONLY

© COPYRIGHT 1987 BY AMP OF GREAT BRITAIN LTD. RELEASED FOR PUBLICATION  
ALL INTERNATIONAL RIGHTS RESERVED. ALL PRODUCTS 24/06/87  
MAY BE COVERED BY BRITISH AND FOREIGN PATENTS AND/OR PATENTS PENDING.

TOLERANCES UNLESS OTHERWISE STATED  
DEC ± 0.5  
ANGLES ± 1°

DR. MWADE 24/06/87  
CH. R. J. S. APP. B. J.

**TE** TE Connectivity

NAME: 4 WAY RECEPTACLE HSG ASSY  
ECONOSEAL 3 HIGH CURRENT

SCALE	LOC	SIZE	DWG. No.	REV	SHEET
2/1	E	A2	344080	D1	1/1

# Mouser Electronics

Authorized Distributor

Click to View Pricing, Inventory, Delivery & Lifecycle Information:

[TE Connectivity:](#)

[344080-1](#)