

COOLING FAN

# San Ace



2020

SANYO DENKI

# San Ace Recommendations Featuring New Products

**NEW**

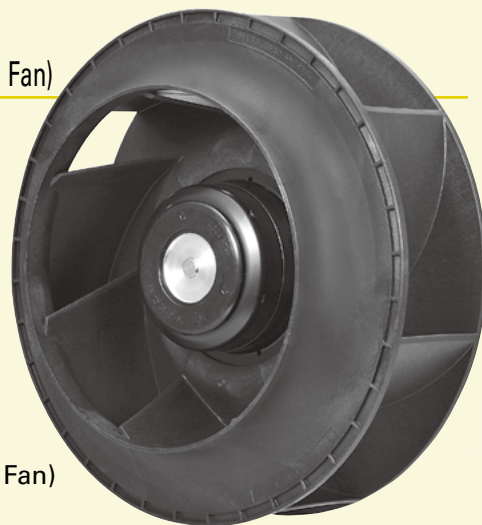
## **AC ACDC Fan** 9ADTS type (Centrifugal Fan), 9ADW1TS type (Splash Proof Centrifugal Fan)

These are an AC-powered Centrifugal Fan and Splash Proof Centrifugal Fan.

They operate by internally converting AC power into DC power. The 9ADW1TS type features IP56-rated water and dust protection.

They are suitable for ICT equipment cabinets, control boards, heat exchangers, air conditioning systems, dust collectors, fan filter units, and renewable energy inverters.

Ø225×99 mm (Centrifugal Fan) pp. 502 to 504	Ø225×99 mm (Splash Proof Centrifugal Fan) pp. 505 to 507
---	--



**NEW**

## **DC Splash Proof Blower** 9W1BM type

With its IP68-rated water and dust protection, this blower fan can operate stably even in harsh environments.

Blowers can send out straight airflow with high static pressure, making them suitable for localized and spot cooling applications.

97 × 33 mm  
pp. 342 to 344



**NEW**

## **DC Splash Proof Centrifugal Fan** 9W2TN type

The series lineup of the Splash Proof Centrifugal Fan has been expanded.

Its IP68-rated water and dust protection ensures stable fan operation even in harsh environments.

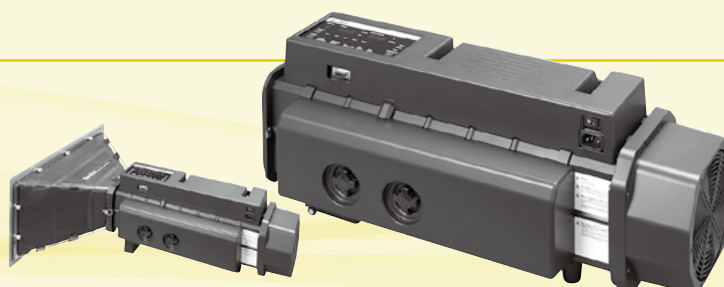
This product is suitable for outdoor equipment such as rapid EV charging stations, digital signage, ICT equipment cabinets, renewable energy inverters, and commercial dust collectors.

Ø150 × 35 mm  
pp. 327 to 329



## **Airflow Tester** pp. 552 to 555

This is a portable measuring device that enables you to easily measure the system impedance and operating airflow of devices.



A wide variety of products are available in various features. See the following pages to find out more.

**NEW**

## San Ace Controller pp. 544 to 547

This controller can perform **automatic control** and **remote monitoring** of PWM fans.

It can optimize airflow and static pressure of fans by controlling individual fan speeds.

Also, sensor measurements can be stored and used for automatic fan control, contributing to reducing noise and improving energy efficiency. Moreover, it enables remote monitoring and control of fans via a cloud server. Value-added features include fault detection and preventive maintenance measures for user equipment.



**NEW**

## DC Oil Proof Fan 9WFA type

The series lineup of the Oil Proof Fan has been expanded.

The windings and electronic components are structurally protected by materials with excellent oil resistance, and stable operation is maintained even in harsh oil mist environments.



40 × 40 × 20 mm  
pp. 348 to 349



60 × 60 × 20 mm  
pp. 354 to 355



80 × 80 × 20 mm  
pp. 360 to 361



92 × 92 × 32 mm  
pp. 366 to 367

**NEW**

## DC DC Fan 9HV type

This new fan features improved maximum static pressure and maximum airflow compared with our current model.

This fan is suitable for cooling 1U servers, 1U switching power supplies, optical transmission equipment, and other devices with high component density.

\* 36 × 36 × 28 mm San Ace 36 9GX type.



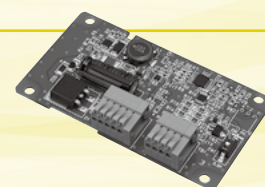
36 × 36 × 28 mm  
pp. 12 to 13

## PWM Controller pp. 548 to 551

This device provides external speed control of PWM control function fans. By using this product, PWM control function fans can be fully utilized without the need for preparing new circuits, contributing to reducing the system power consumption and the fan noise.



Box type



PCB type

Domain Diagram ..... 6 to 9  
 How to Read Specifications ..... 10

**DC DC Fan 11**

36 mm sq. .... 12 to 17  
 38 mm sq. .... 18 to 22  
 40 mm sq. .... 23 to 53  
 52 mm sq. .... 54 to 59  
 60 mm sq. .... 60 to 88  
 70 mm sq. .... 89 to 90  
 80 mm sq. .... 91 to 135  
 92 mm sq. .... 136 to 160  
 120 mm sq. .... 161 to 184  
 127 mm sq. .... 185 to 189  
 140 mm sq. .... 190 to 195  
 150 mm sq. .... 196 to 197  
 ø172 mm .... 198 to 213  
 ø200 mm .... 214 to 217

**Counter Rotating Fan 219**

38 mm sq. .... 220 to 221  
 40 mm sq. .... 222 to 233  
 60 mm sq. .... 234 to 242  
 80 mm sq. .... 243 to 249  
 92 mm sq. .... 250 to 251  
 120 mm sq. .... 252 to 253  
 ø172 mm .... 254 to 255

**Reversible Flow Fan 257**

ø92 mm .... 258 to 259  
 ø136 mm .... 260 to 261

**Splash Proof Fan 263**

40 mm sq. .... 264 to 268  
 60 mm sq. .... 269 to 274  
 80 mm sq. .... 275 to 282  
 92 mm sq. .... 283 to 294  
 120 mm sq. .... 295 to 303  
 140 mm sq. .... 304 to 313  
 ø172 mm .... 314 to 319

**Splash Proof Centrifugal Fan 321**

ø100 mm .... 322 to 324  
 ø133 mm .... 325 to 326  
 ø150 mm .... 327 to 331  
 ø175 mm .... 332 to 335

**DC**

ø221 mm .... 336 to 338  
 ø225 mm .... 339 to 340

**Splash Proof Blower 341**

97 mm .... 342 to 344

**Oil Proof Fan 345**

40 mm sq. .... 346 to 351  
 60 mm sq. .... 352 to 359  
 80 mm sq. .... 360 to 363  
 92 mm sq. .... 364 to 369  
 120 mm sq. .... 370 to 371

**Long Life Fan 373**

40 mm sq. .... 374 to 375  
 60 mm sq. .... 376 to 384  
 80 mm sq. .... 385 to 391  
 92 mm sq. .... 392 to 399  
 120 mm sq. .... 400 to 407  
 140 mm sq. .... 408 to 417  
 ø172 mm .... 418 to 421

**Wide Temperature Range Fan 423**

40 mm sq. .... 424 to 425  
 60 mm sq. .... 426 to 427  
 80 mm sq. .... 428 to 429  
 92 mm sq. .... 430 to 433  
 120 mm sq. .... 434 to 435

**G Proof Fan 437**

120 mm sq. .... 438 to 439  
 ø172 mm .... 440 to 441

**Centrifugal Fan 443**

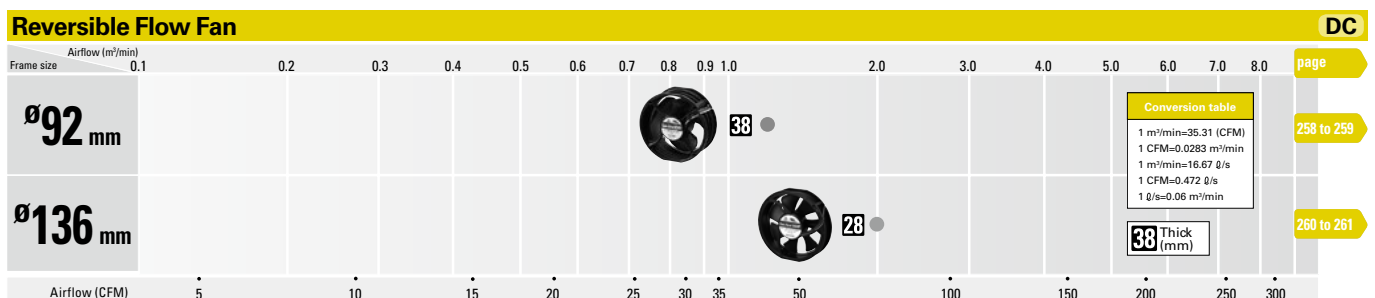
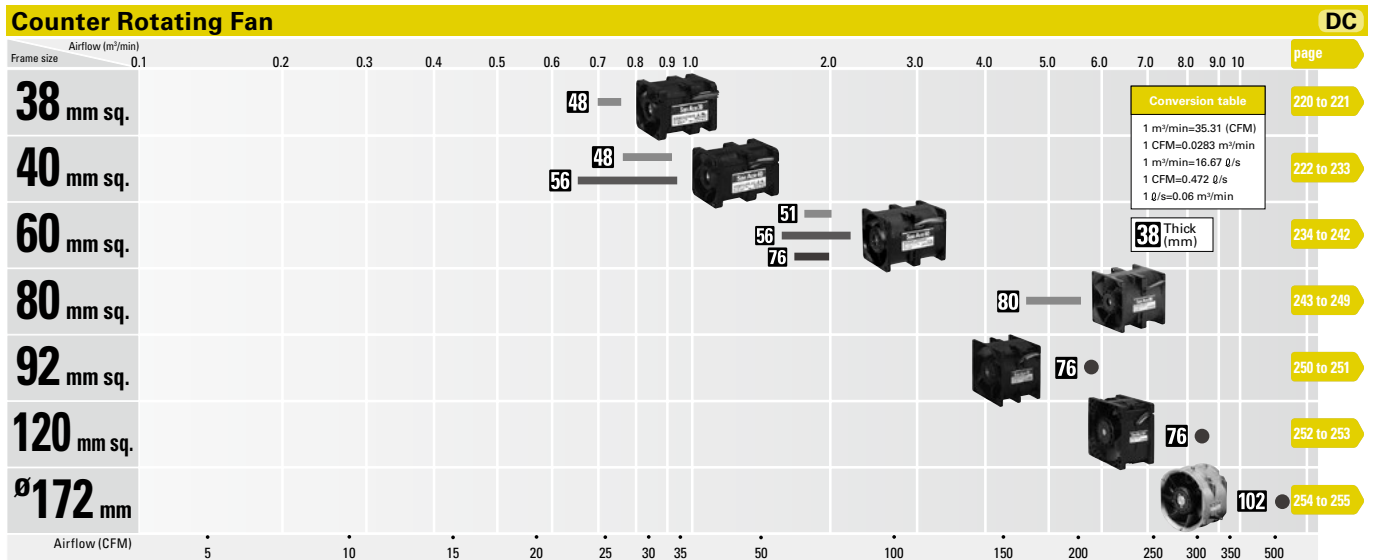
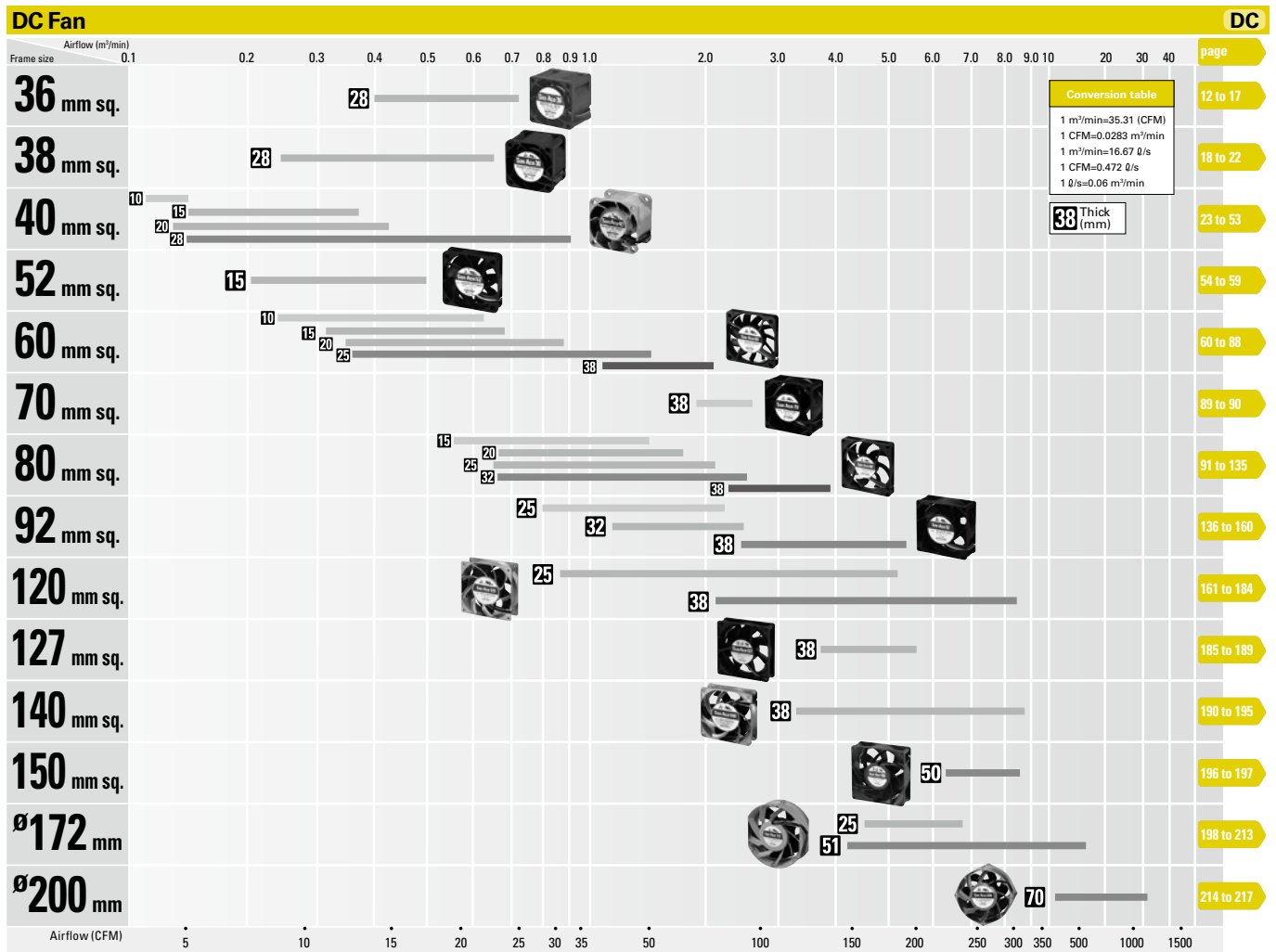
ø100 mm .... 444 to 446  
 ø133 mm .... 447 to 448  
 ø150 mm .... 449 to 450  
 ø175 mm .... 451 to 456  
 ø221 mm .... 457 to 459  
 ø225 mm .... 460 to 462  
 270 mm sq. .... 463 to 468

**Blower 469**

52 mm .... 470 to 471  
 76 mm .... 472 to 475  
 97 mm .... 476 to 485  
 120 mm .... 486 to 487  
 127 mm .... 488 to 489  
 160 mm .... 490 to 491

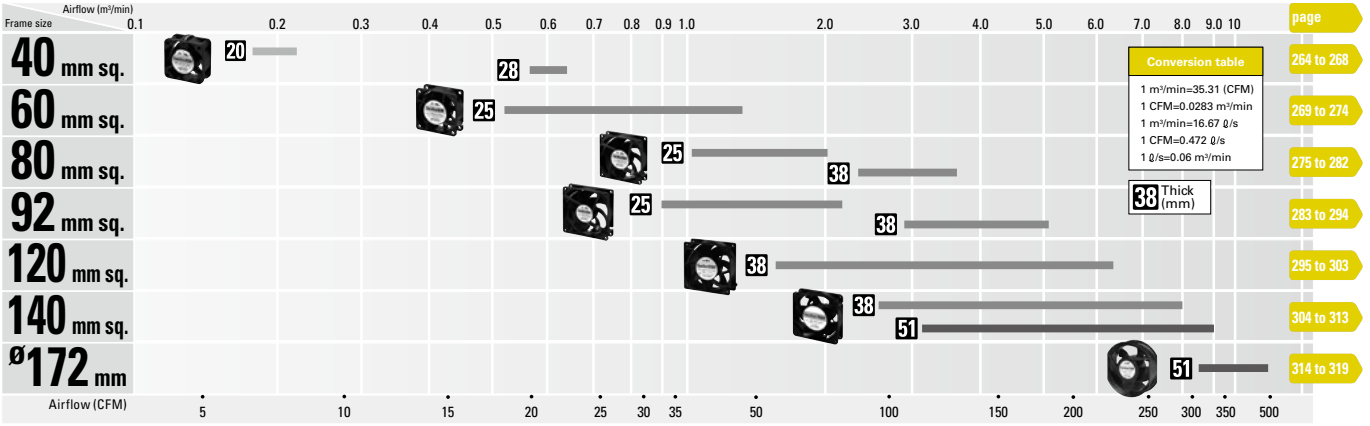
<b>AC</b>	<b>ACDC Fan</b>	<b>493</b>
	92 mm sq. ....	494 to 497
	120 mm sq. ....	498 to 501
	∅225 mm . ....	502 to 507
	<b>AC Fan</b>	<b>509</b>
	60 mm sq. ....	510 to 513
	80 mm sq. ....	514 to 521
	92 mm sq. ....	522 to 525
	120 mm sq. ....	526 to 534
	160 mm sq. ....	535 to 537
	∅172 mm ....	538 to 542
<b>San Ace Controller</b>		<b>544 to 547</b>
<b>PWM Controller</b>		<b>548 to 551</b>
<b>Airflow Tester</b>		<b>552 to 555</b>
<hr/>		
	Options .....	556 to 570
Technical Material		
	Overview and Characteristics of Fan .....	571
	Motor protection function .....	573
	Guideline in Selecting a Fan.....	574
	Specifications for DC Fan Sensors ..	575 to 576
	Specifications for AC Fan Sensor .....	576
	Fans with PWM Control Function ..	577 to 578
	Splash Proof Fan .....	579
	Cautions for Use of a Cooling Fan in the Vicinity of a Power Switching Circuit...	580 to 581
Standards and Certifications		
	Safety Standards .....	582 to 583
	RoHS Directive Compliance.....	583
	Eco-products .....	583
Please Read:		
	Operating Precautions .....	584
	Fan Mounting Using Self-tapping Screw ..	585
	Safety Precautions .....	586 to 593
Index by Model No.		
	DC Fan .....	594 to 613
	ACDC Fan .....	614
	AC Fan .....	614 to 615
	Option.....	616 to 617
	Deleted Models in this Catalog ..	618 to 619
	Distributors .....	620 to 625
<hr/>		
	Short Lead Time Service .....	626

DC Fan	
Counter Rotating Fan	
Reversible Flow Fan	
Splash Proof Fan	
Splash Proof Centrifugal Fan	
Splash Proof Blower	
Oil Proof Fan	
Long Life Fan	
Wide Temperature Range Fan	
G Proof Fan	
Centrifugal Fan	
Blower	
ACDC Fan	
AC Fan	
San Ace Controller	
PWM Controller	
Airflow Tester	
Options	
Technical Material	
Standards and Certifications	
Please Read	
Index by Model No.	
Deleted Models in this Catalog	
Distributors	
Short Lead Time Service	



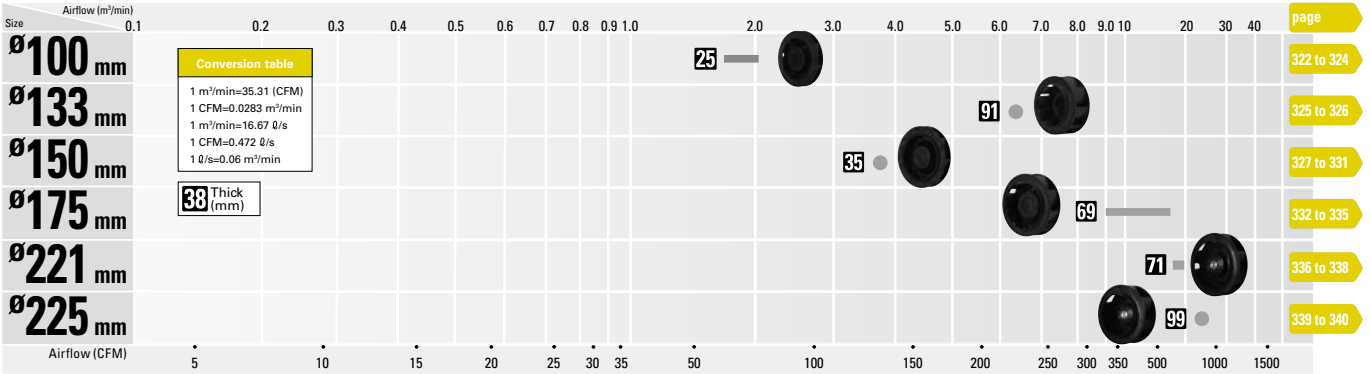
## Splash Proof Fan

DC



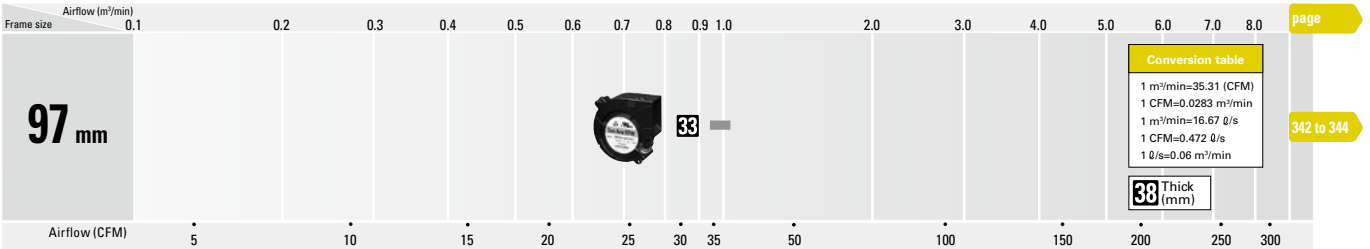
## Splash Proof Centrifugal Fan

DC



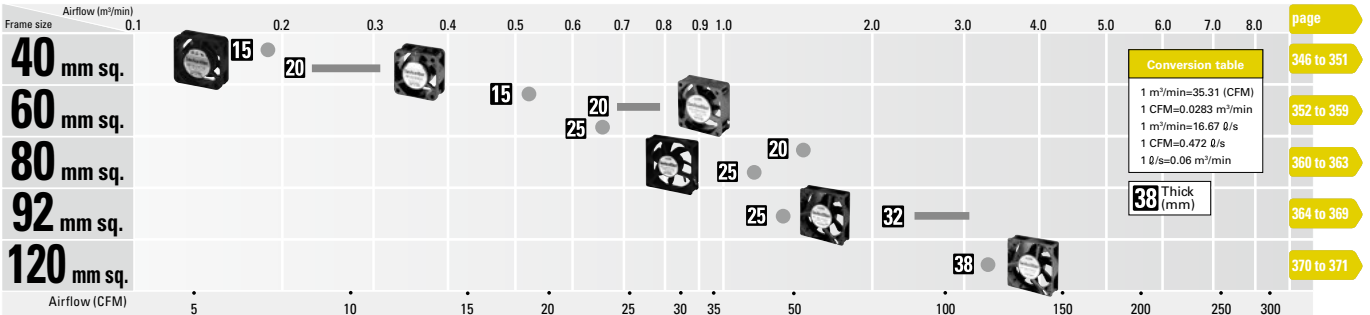
## Splash Proof Blower

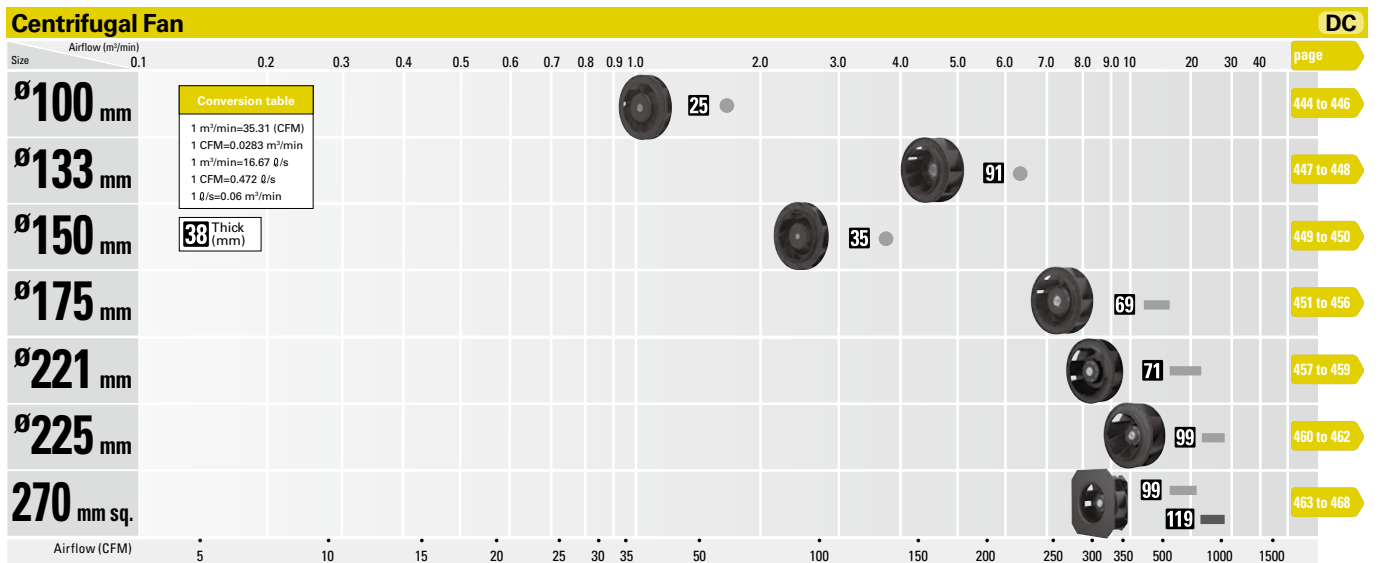
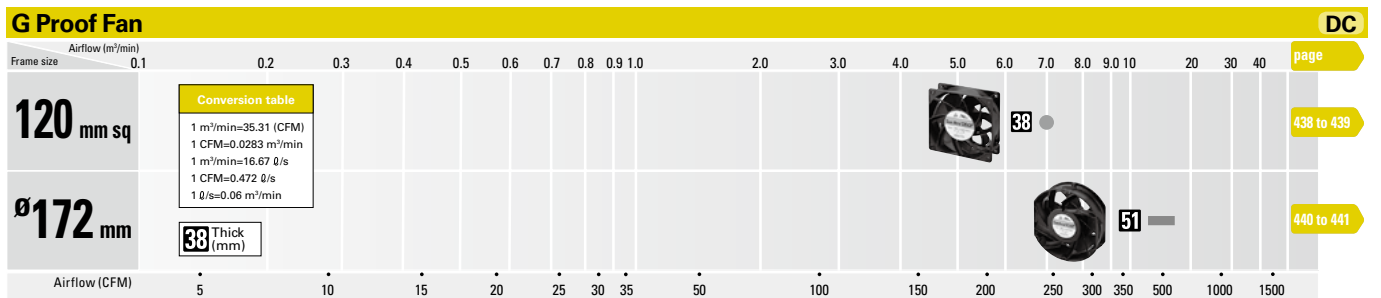
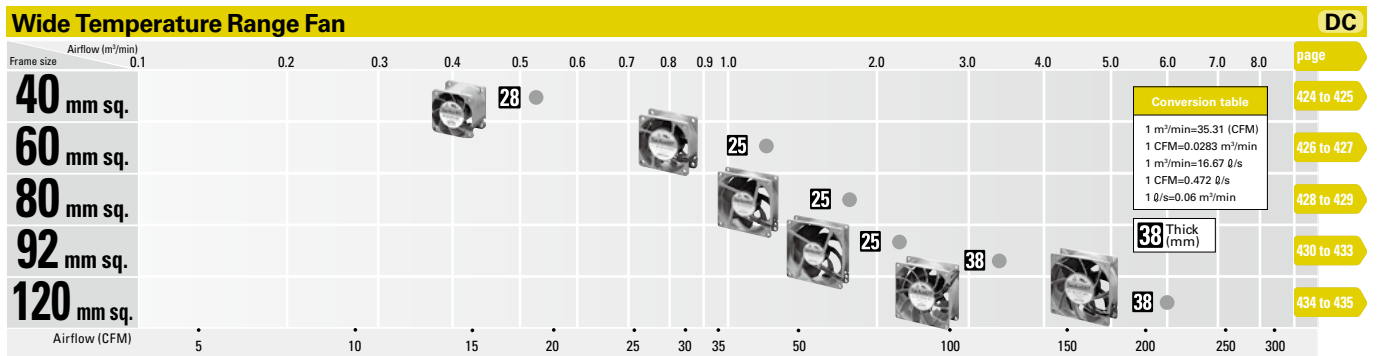
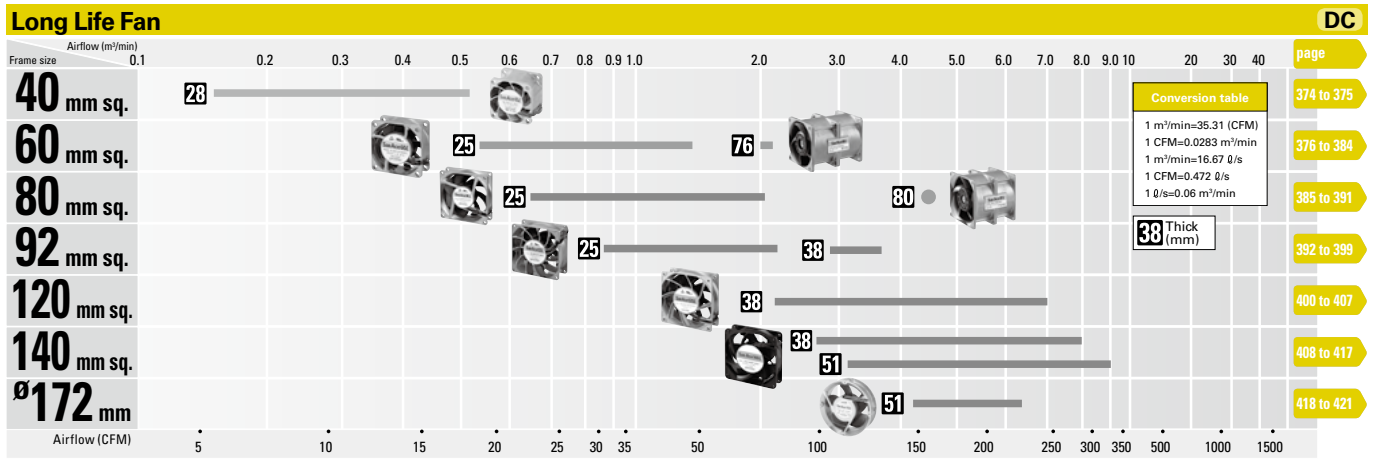
DC



## Oil Proof Fan

DC

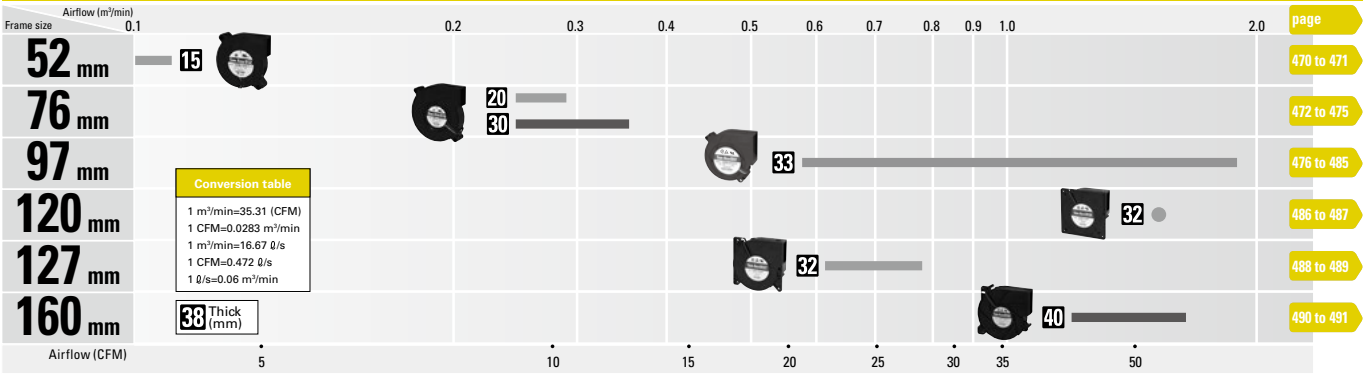






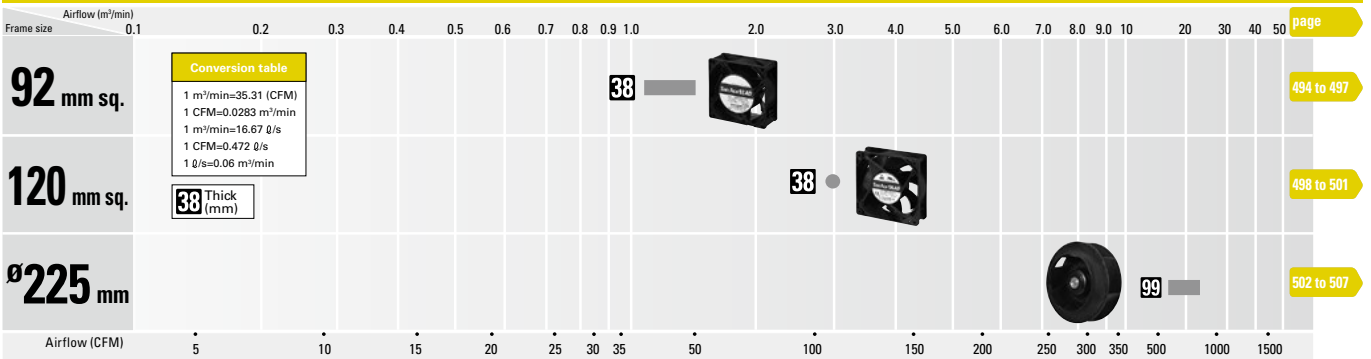
## Blower

DC



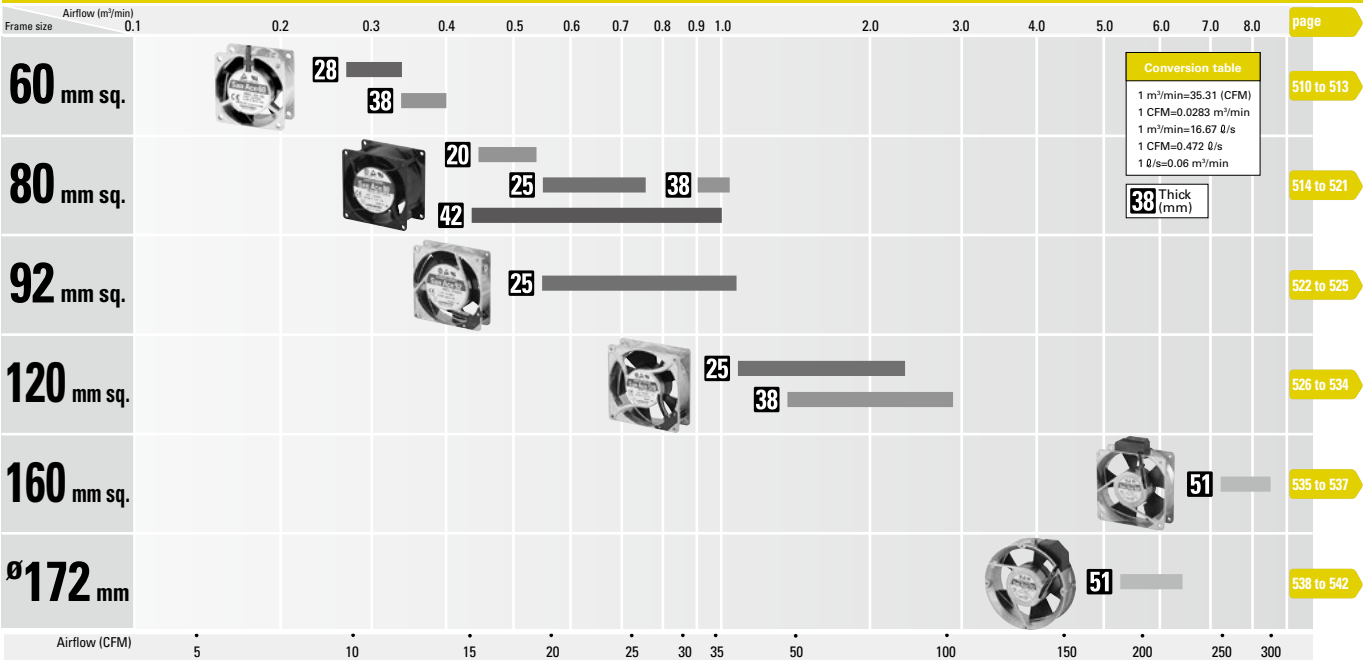
## ACDC Fan

AC



## AC Fan

AC



## ■ DC Fan

Model no.	Rated voltage [V]	Operating voltage range [V]	Rated current [A]	Rated input [W]	Rated speed [min <sup>-1</sup> ]	Max. airflow [m <sup>3</sup> /min] [CFM]	Max. static pressure [Pa] [inchH <sub>2</sub> O]	SPL [dB (A)]	Operating temperature [°C]	Expected life [h]
<b>9GA0412G7001</b>	12	7 to 13.8	0.17	2.04	13100	0.36 12.7	192 0.77	42	-20 to +70	40000/60°C (70000/40°C)

- Rated voltage ..... This is the necessary voltage to drive the fan. E.g.) 12 VDC, 24 VDC, 48 VDC
- Operating voltage range ..... The voltage range over which fan operation is guaranteed.
- Rated current ..... The current when the fan is operating at rated voltage (at free air).
- Rated input ..... The power value when the fan is operating at rated voltage (at free air).
- Rated speed ..... The speed when the fan is operating at rated voltage (at free air).
- Max. airflow ..... The maximum airflow that the fan can generate during rated operation (measured with our double chamber measuring device).  
Airflow is the volume of air generated by the fan per unit of time.
- Max. static pressure ..... The maximum static pressure value that the fan can produce during rated operation (measured with our double chamber measuring device).  
Static pressure indicates a fan's ability to move air against resistance due to the internal structure of the device to which the fan is installed.
- SPL ..... SPL stands for Sound Pressure Level. The noise level during the fan's rated operation.  
Please refer to the technical material section for the measurement method.
- Operating temperature ..... The temperature range over which fan operation is guaranteed (Non- condensing).
- Expected life ..... Service life hours that 90% of bearings will survive without failing when continuously operated at the rated voltage and 60°C temperature. Expected life at 40°C is for reference only.  
For more information, please refer to the technical material section.

## ■ ACDC Fan

Model no.	Rated voltage [V]	Operating voltage range [V]	Frequency [Hz]	Rated current [A]	Rated input [W]	Rated speed [min <sup>-1</sup> ]	Max. airflow [m <sup>3</sup> /min] [CFM]	Max. static pressure [Pa] [inchH <sub>2</sub> O]	SPL [dB (A)]	Operating temperature [°C]	Expected life [h]
<b>9AD0901H12</b>	100 to 240	90 to 264	50/60	0.08	4.5	3850	1.5 53.0	90 0.36	40	-20 to +75	60000/60°C (90000/40°C)
<b>9AD0901M12</b>				0.06	3.0	3100	1.18 41.7	56 0.22	33		

- Rated voltage ..... This is the necessary voltage to drive the fan. Single-phase 100 to 240 VAC are also available.
- Operating voltage range ..... The voltage range over which fan operation is guaranteed.
- Frequency ..... This is a frequency of alternating current (AC). The frequencies of 50 Hz and 60 Hz are existing in Japan.
- Rated current ..... The current when the fan is operating at rated voltage (at free air).
- Rated input ..... The power value when the fan is operating at rated voltage (at free air).
- Rated speed ..... The speed when the fan is operating at rated voltage (at free air).
- Max. airflow ..... The maximum airflow that the fan can generate during rated operation (measured with our double chamber measuring device).  
Airflow is the volume of air generated by the fan per unit of time.
- Max. static pressure ..... The maximum static pressure value that the fan can produce during rated operation (measured with our double chamber measuring device).  
Static pressure indicates a fan's ability to move air against resistance due to the internal structure of the device to which the fan is installed.
- SPL ..... SPL stands for Sound Pressure Level. The noise level during the fan's rated operation.  
Please refer to the technical material section for the measurement method.
- Operating temperature ..... The temperature range over which fan operation is guaranteed (Non- condensing).
- Expected life ..... Service life hours that 90% of bearings will survive without failing when continuously operated at the rated voltage and 60°C temperature. Expected life at 40°C is for reference only.  
For more information, please refer to the technical material section.

## ■ AC Fan

Model no.	Rated voltage [V]	Frequency [Hz]	Input [W]	Current [A]	Locked rotor current [A]	Rated speed [min <sup>-1</sup> ]	Max. airflow [m <sup>3</sup> /min] [CFM]	Max. static pressure [Pa] [inchH <sub>2</sub> O]	SPL [dB (A)]	Operating temperature [°C]	Expected life [h]
<b>109-180</b>	100	50/60	5/4	0.06/0.05	0.07/0.06	2250/2700	0.27/0.33 9.5/11.7	11.8/18.6 0.047/0.075	24/26	-30 to +70	25000/60°C (56000/40°C)
<b>109-183</b>	115										

- Rated voltage ..... This is the necessary voltage to drive the fan. Single-phase 100, 115, 200 and 230 VAC are also available.
- Frequency ..... This is a frequency of alternating current (AC). The frequencies of 50 Hz and 60 Hz are existing in Japan.  
Performance of AC fan varies depending on the frequency. Example: Rated speed 2250/2700 = 50 Hz → 2250, 60 Hz → 2700
- Input ..... The power value when the fan is operating at rated voltage (at free air).
- Current ..... The current when the fan is operating at rated voltage (at free air).
- Locked rotor current ..... This is a current when rotor of motor that applies rated voltage is locked.
- Rated speed ..... The speed when the fan is operating at rated voltage (at free air).
- Max. airflow ..... The maximum airflow that the fan can generate during rated operation (measured with our double chamber measuring device).  
Airflow is the volume of air generated by the fan per unit of time.
- Max. static pressure ..... The maximum static pressure value that the fan can produce during rated operation (measured with our double chamber measuring device).  
Static pressure indicates a fan's ability to move air against resistance due to the internal structure of the device to which the fan is installed.
- SPL ..... SPL stands for Sound Pressure Level. The noise level during the fan's rated operation.  
Please refer to the technical material section for the measurement method.
- Operating temperature ..... The temperature range over which fan operation is guaranteed (Non- condensing).
- Expected life ..... Service life hours that 90% of bearings will survive without failing when continuously operated at the rated voltage and 60°C temperature. Expected life at 40°C is for reference only.  
For more information, please refer to the technical material section.

# DC Fan

Wide lineup including low power consumption fans (9GA type), silent fans (9S type), and high airflow and high static pressure fans.

**Model Numbering System** Not every combination of the following codes or characters is available. Contact us for an available combination.

<b>9GV</b>	<b>12</b>	<b>12</b>	<b>J</b>	<b>1</b>	<b>01</b>	<b>1</b>
Type name	Frame size	Voltage	Speed code	Frame thickness	Sensor specifications	Frame form

Fans with PWM control function

<b>9GV</b>	<b>12</b>	<b>12</b>	<b>P</b>	<b>4</b>	<b>G</b>	<b>01</b>	
Type name	Frame size	Voltage	PWM control function	Frame thickness	Speed code	Individual customer's spec (2 to 4 digits)	Frame form

Type name	9GA 9GV 9HV etc.														
Frame size (mm)	03	04	05	06	08	09	12	13	14	15	17	36	47	57	20
	38×38	40×40	52×52	60×60	80×80	92×92	120×120	127×127	140×140	150×150	∅172	36×36	∅172×147 (sidecut)	∅172×150 (sidecut)	∅200
Voltage (V)	05	12	24	48											
	5	12	24	48	etc.										
Speed code	A	B	C	D	E	F	G	H	J	K	L	M	S	W	etc.
Frame thickness (mm)	0	1	2	3	4	5	6	7	9						
	70	38	32	28	25	50, 51	20	15	10						
Sensor specifications	01 or 001				02 or 002				D01 or D001						
	With a pulse sensor				Without a sensor				With a lock sensor						
Frame form	Nil				1				3						
	Plastic frame: Ribbed frame				Plastic frame: Ribless frame				40 × 40 × 28 mm for 1U applications				Plastic frame: Ribbed frame		
	Aluminum frame: Ribless frame														

DC Fan



# 36×36×28 mm

San Ace 36 9HV type

## General Specifications

- Material ..... Frame: Plastic (Flammability: UL 94V-0), Impeller: Plastic (Flammability: UL 94V-1)
- Expected life ..... See the table below. (L10 life: 90% survival rate for continuous operation in free air at 60°C, rated voltage) Expected life at 40°C is for reference only.
- Motor protection function ..... Locked rotor burnout protection, Reverse polarity protection  
For details, please refer to p. 573.
- Dielectric strength ..... 50/60 Hz, 500 VAC, for 1 minute (between lead wire conductors and frame)
- Insulation resistance ..... 10 MΩ or more with a 500 VDC megger (between lead wire conductors and frame)
- Sound pressure level (SPL) ..... At 1 m away from the air inlet
- Storage temperature ..... -30 to +70°C (Non-condensing)
- Lead wire ..... ⊕Red ⊖Black (Sensor) Yellow (Control) Brown
- Mass ..... 53 g

## Specifications

The models listed below **have ribs and pulse sensors with PWM control function.**

Model no.	Rated voltage [V]	Operating voltage range [V]	PWM duty cycle [%]	Rated current [A]	Rated input [W]	Rated speed [min <sup>-1</sup> ]	Max. airflow [m <sup>3</sup> /min] [CFM]	Max. static pressure [Pa] [inchH <sub>2</sub> O]	SPL [dB (A)]	Operating temperature [°C]	Expected life [h]
▶▶ 9HV3612P3K001	12	10.8 to 13.2	100	1.75	21.0	32500	0.72 25.4	1400 5.62	67	-20 to +60	30000/60°C (53000/40°C)
			20	0.05	0.6	6000	0.12 4.2	47.2 0.19	26		

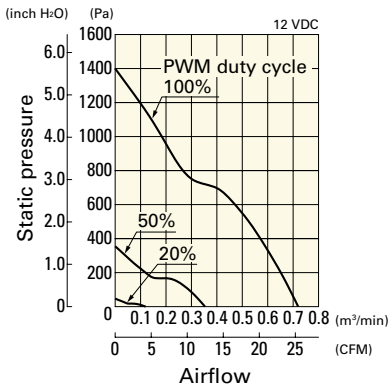
\* PWM input frequency is 25 kHz; models without specifications at 0% PWM duty cycle have zero fan speed at 0%.

The ▶▶ mark indicates Short LeadTime Service applicable models. See p. 626 for details.

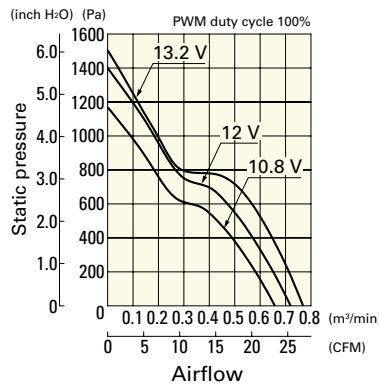
## Airflow - Static Pressure Characteristics / PWM Duty - Speed Characteristics Example

**9HV3612P3K001** With pulse sensor with PWM control function

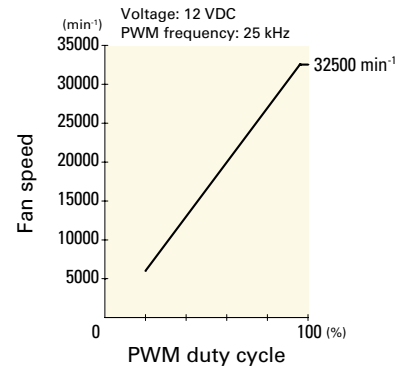
PWM duty cycle



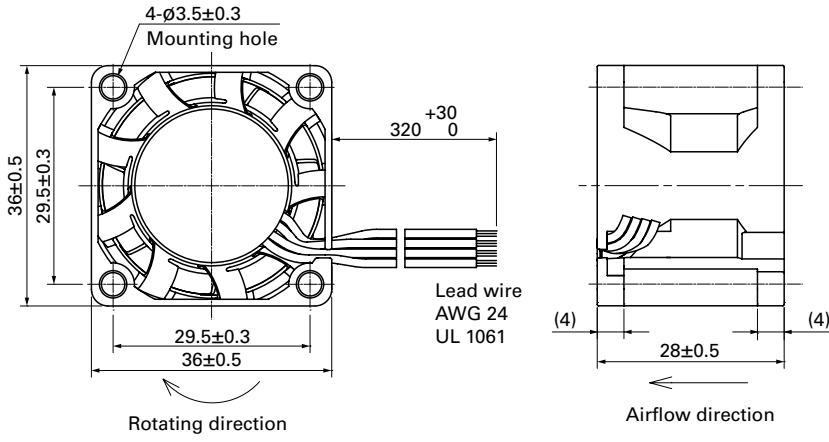
Operating voltage range



PWM duty - Speed characteristics example

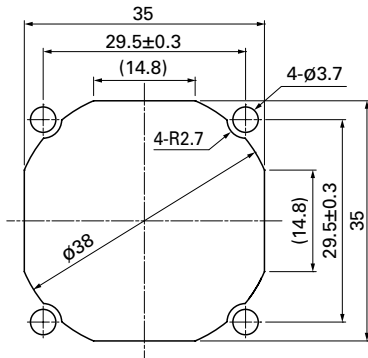


**Dimensions (unit: mm)**



**Reference Dimensions of Mounting Holes and Vent Opening (unit: mm)**

Inlet side, Outlet side



**Options**

Finger guards

page: p. 558

Model no.: 109-1050

# 36×36×28 mm

San Ace 36 9GX type   



## General Specifications

- Material ..... Frame: Plastic (Flammability: UL 94V-0), Impeller: Plastic (Flammability: UL 94V-1)
- Expected life ..... See the table below. (L10 life: 90% survival rate for continuous operation in free air at 60°C, rated voltage)  
Expected life at 40°C is for reference only.
- Motor protection function ..... Locked rotor burnout protection, Reverse polarity protection  
For details, please refer to p. 573.
- Dielectric strength ..... 50/60 Hz, 500 VAC, for 1 minute (between lead wire conductors and frame)
- Insulation resistance ..... 10 MΩ or more with a 500 VDC megger (between lead wire conductors and frame)
- Sound pressure level (SPL) ..... At 1 m away from the air inlet
- Storage temperature ..... -30 to +70°C (Non-condensing)
- Lead wire ..... ⊕Red ⊖Black (Sensor) Yellow (Control) Brown
- Mass ..... 46 g

## Specifications

The models listed below **have ribs and pulse sensors with PWM control function.**

Model no.	Rated voltage [V]	Operating voltage range [V]	PWM duty cycle* [%]	Rated current [A]	Rated input [W]	Rated speed [min <sup>-1</sup> ]	Max. airflow [m <sup>3</sup> /min] [CFM]	Max. static pressure [Pa] [inchH <sub>2</sub> O]	SPL [dB (A)]	Operating temperature [°C]	Expected life [h]
9GX3612P3K001	12	10.8 to 13.2	100	1.3	15.6	24000	0.69 24.4	838 3.367	66	-10 to +60	40000/60°C (70000/40°C)
			0	0.07	0.84	3200	0.09 3.2	14.0 0.056	32		

\* PWM input frequency is 25 kHz; models without specifications at 0% PWM duty cycle have zero fan speed at 0%.

The following sensor and control options are available for selection.

Available for all models. Without sensor

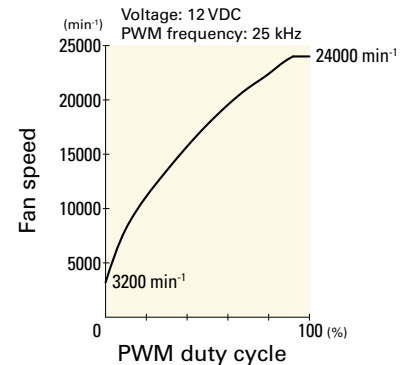
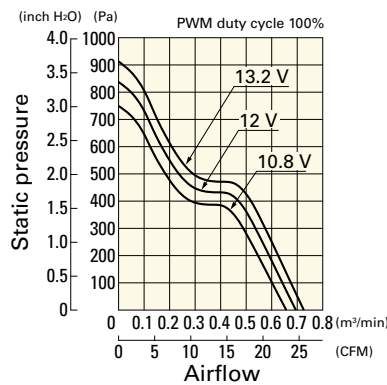
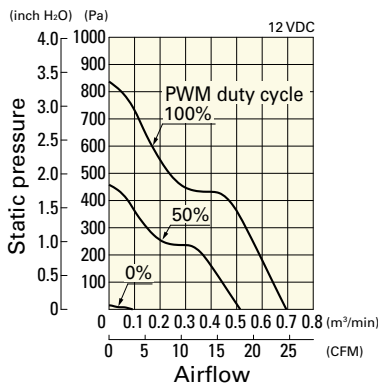
## Airflow - Static Pressure Characteristics / PWM Duty - Speed Characteristics Example

### 9GX3612P3K001 With pulse sensor with PWM control function

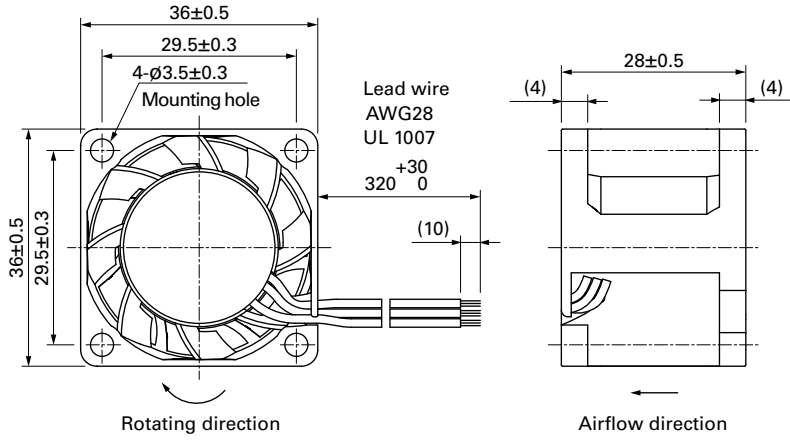
PWM duty cycle

Operating voltage range

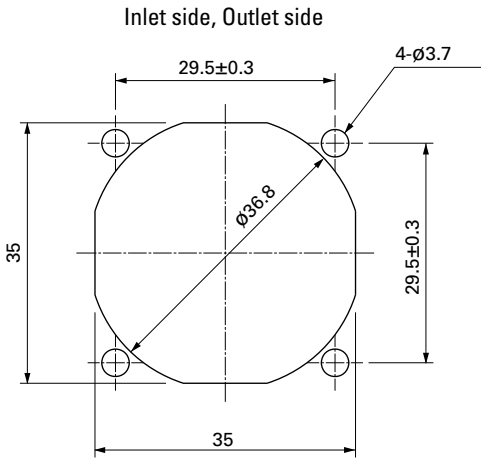
PWM duty - Speed characteristics example



**Dimensions (unit: mm)** (With pulse sensor)



**Reference Dimensions of Mounting Holes and Vent Opening (unit: mm)**



**Options**

Finger guards

page: p. 558

Model no.: 109-1050

DC Fan

# 36×36×28 mm

San Ace 36 9GV type   



## General Specifications

- Material ..... Frame: Plastic (Flammability: UL 94V-0), Impeller: Plastic (Flammability: UL 94V-1)
- Expected life ..... See the table below. (L10 life: 90% survival rate for continuous operation in free air at 60°C, rated voltage)  
Expected life at 40°C is for reference only.
- Motor protection function ..... Locked rotor burnout protection, Reverse polarity protection  
For details, please refer to p. 573.
- Dielectric strength ..... 50/60 Hz, 500 VAC, for 1 minute (between lead wire conductors and frame)
- Insulation resistance ..... 10 MΩ or more with a 500 VDC megger (between lead wire conductors and frame)
- Sound pressure level (SPL) ..... At 1 m away from the air inlet
- Storage temperature ..... -20 to +70°C (Non-condensing)
- Lead wire ..... ⊕Red ⊖Black (Sensor) Yellow
- Mass ..... 46 g

## Specifications

The models listed below **have ribs and pulse sensors.**

Model no.	Rated voltage [V]	Operating voltage range [V]	Rated current [A]	Rated input [W]	Rated speed [min <sup>-1</sup> ]	Max. airflow [m <sup>3</sup> /min] [CFM]	Max. static pressure [Pa] [inchH <sub>2</sub> O]	SPL [dB (A)]	Operating temperature [°C]	Expected life [h]
9GV3612J301	12	7.0 to 13.2	0.75	9.0	19000	0.55 19.4	525 2.108	58.5	-20 to +60	40000/60°C (70000/40°C)
9GV3612G301			0.34	4.08	14000	0.4 14.1	275 1.104	52.0		

The following sensor and control options are available for selection.

Available for all models. Without sensor Lock sensor PWM control

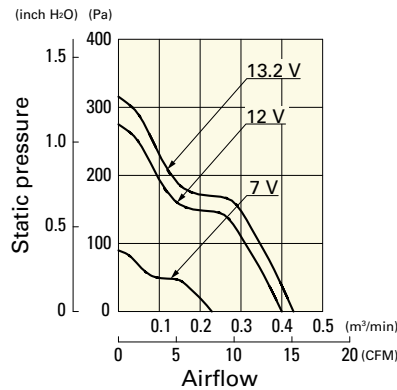
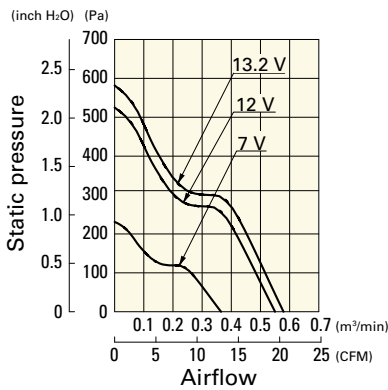
## Airflow - Static Pressure Characteristics

**9GV3612J301** With pulse sensor

**9GV3612G301** With pulse sensor

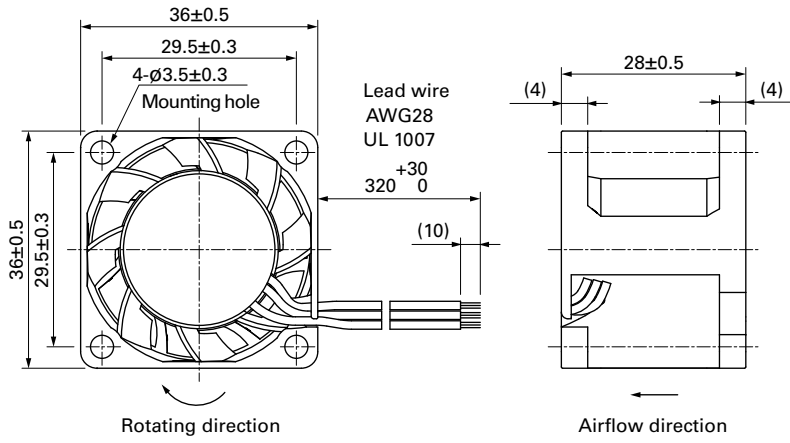
Operating voltage range

Operating voltage range

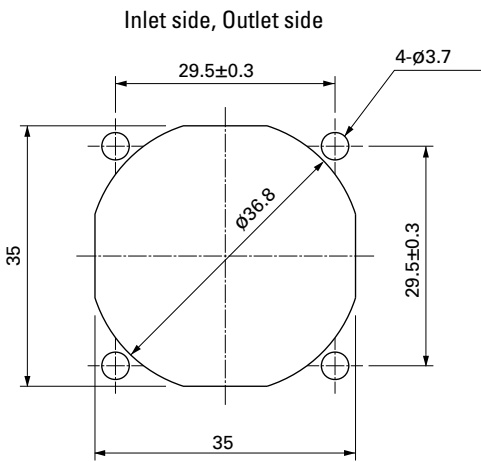




**Dimensions (unit: mm)** (With pulse sensor)



**Reference Dimensions of Mounting Holes and Vent Opening (unit: mm)**



**Options**

Finger guards

page: p. 558

Model no.: 109-1050

DC Fan

# 38x38x28 mm



**San Ace 38 9GA type** Low Power Consumption Fan

## General Specifications

- Material ..... Frame: Plastic (Flammability: UL 94V-0), Impeller: Plastic (Flammability: UL 94V-0)
- Expected life ..... See the table below. (L10 life: 90% survival rate for continuous operation in free air at 60°C, rated voltage)  
Expected life at 40°C is for reference only.
- Motor protection function ..... Locked rotor burnout protection, Reverse polarity protection  
For details, please refer to p. 573.
- Dielectric strength ..... 50/60 Hz, 500 VAC, for 1 minute (between lead wire conductors and frame)
- Insulation resistance ..... 10 MΩ or more with a 500 VDC megger (between lead wire conductors and frame)
- Sound pressure level (SPL) ..... At 1 m away from the air inlet
- Storage temperature ..... -30 to +70°C (Non-condensing)
- Lead wire ..... ⊕Red ⊖Black Sensor Yellow Control Brown
- Mass ..... 52 g

## Specifications

The models listed below **have ribs and pulse sensors with PWM control function.** For models without ribs, append "1" to the end of model numbers.

Model no.	Rated voltage [V]	Operating voltage range [V]	PWM duty cycle [%]	Rated current [A]	Rated input [W]	Rated speed [min <sup>-1</sup> ]	Max. airflow [m <sup>3</sup> /min] [CFM]	Max. static pressure [Pa] [inchH <sub>2</sub> O]	SPL [dB (A)]	Operating temperature [°C]	Expected life [h]
▶▶ 9GA0312P3K001	12	10.8 to 13.2	100	0.62	7.4	25000	0.6 21.2	800 3.21	59.0	-20 to +70	40000/60°C (70000/40°C)
			0	0.06	0.7	3000	0.07 2.5	11 0.04	15.0		
▶▶ 9GA0312P3J001			100	0.52	6.2	23500	0.57 20.1	720 2.89	57.5		
			0	0.06	0.7	3000	0.07 2.5	11 0.04	15.0		
▶▶ 9GA0312P3G001			100	0.33	4.0	19000	0.45 15.9	460 1.85	53.0		
			0	0.06	0.7	3000	0.07 2.5	11 0.04	15.0		

\* PWM input frequency is 25 kHz; models without specifications at 0% PWM duty cycle have zero fan speed at 0%.

The following sensor and control options are available for selection.

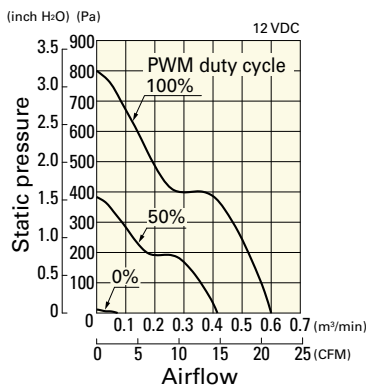
Differs according to the model. Refer to the table on p. 602. Without sensor Lock sensor

The ▶▶ mark indicates Short LeadTime Service applicable models. See p. 626 for details.

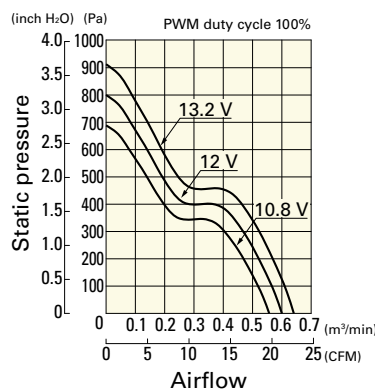
## Airflow - Static Pressure Characteristics / PWM Duty - Speed Characteristics Example

**9GA0312P3K001** With pulse sensor with PWM control function

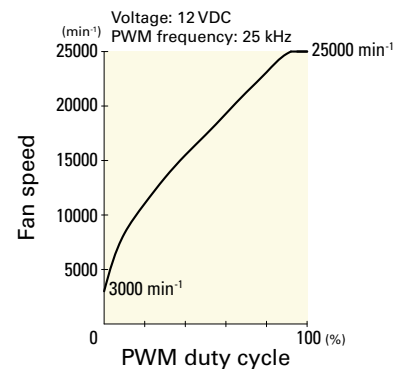
PWM duty cycle



Operating voltage range



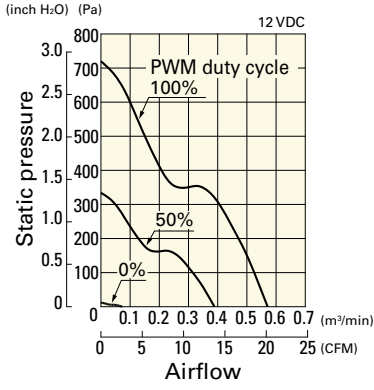
PWM duty - Speed characteristics example



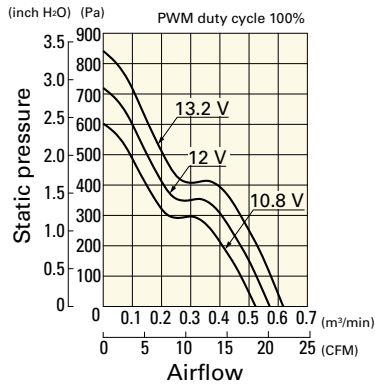
**Airflow - Static Pressure Characteristics / PWM Duty - Speed Characteristics Example**

**9GA0312P3J001** With pulse sensor with PWM control function

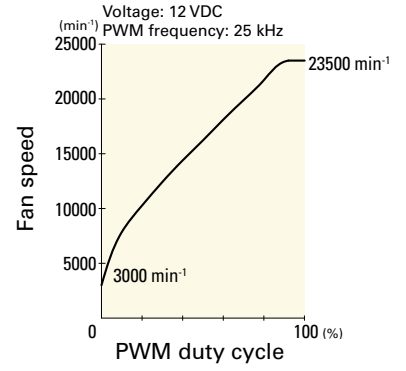
PWM duty cycle



Operating voltage range

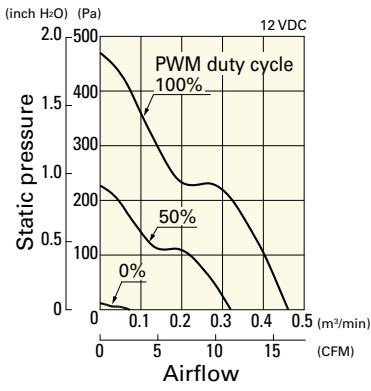


PWM duty - Speed characteristics example

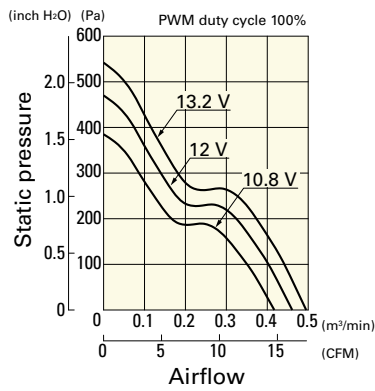


**9GA0312P3G001** With pulse sensor with PWM control function

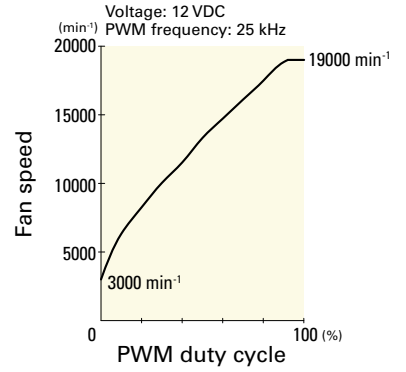
PWM duty cycle



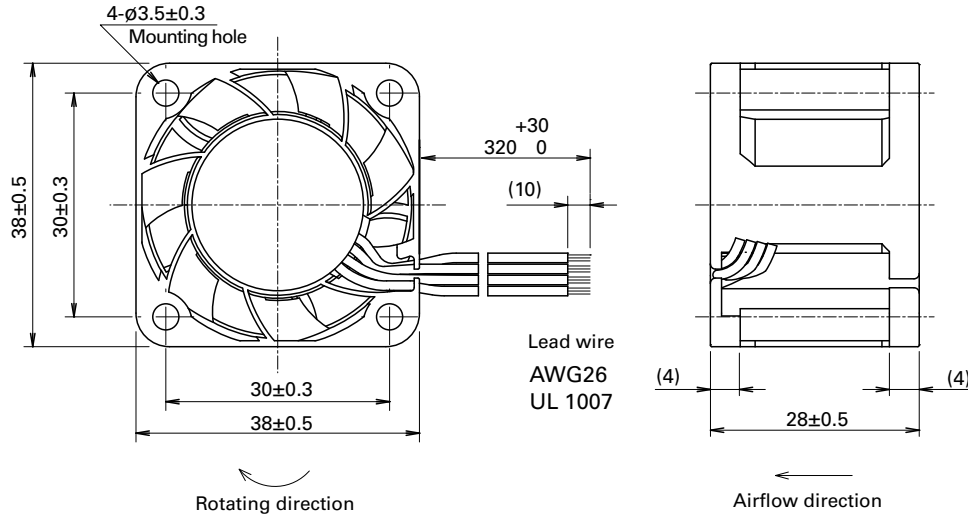
Operating voltage range



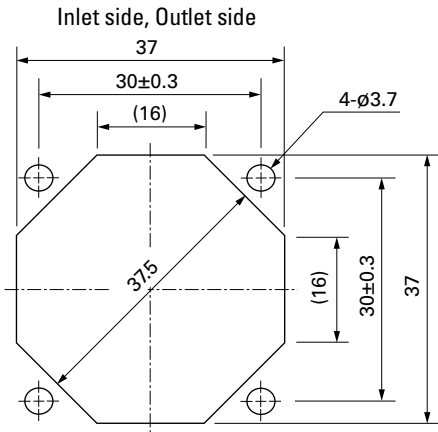
PWM duty - Speed characteristics example



**Dimensions (unit: mm) (With ribs)**



Reference Dimensions of Mounting Holes and Vent Opening (unit: mm)



Options

Finger guards

page: p. 558

Model no.: 109-1065



# 38x38x28 mm

San Ace 38 9GV type

## General Specifications

- Material ..... Frame: Plastic (Flammability: UL 94V-0), Impeller: Plastic (Flammability: UL 94V-1)
- Expected life ..... See the table below. (L10 life: 90% survival rate for continuous operation in free air at 60°C, rated voltage)  
Expected life at 40°C is for reference only.
- Motor protection function ..... Locked rotor burnout protection, Reverse polarity protection  
For details, please refer to p. 573.
- Dielectric strength ..... 50/60 Hz, 500 VAC, for 1 minute (between lead wire conductors and frame)
- Insulation resistance ..... 10 MΩ or more with a 500 VDC megger (between lead wire conductors and frame)
- Sound pressure level (SPL) ..... At 1 m away from the air inlet
- Storage temperature ..... -20 to +70°C (Non-condensing)
- Lead wire ..... ⊕Red ⊖Black Sensor Yellow
- Mass ..... 50 g

## Specifications

The models listed below **have ribs and pulse sensors**. For models without ribs, append "1" to the end of model numbers.

Model no.	Rated voltage [V]	Operating voltage range [V]	Rated current [A]	Rated input [W]	Rated speed [min <sup>-1</sup> ]	Max. airflow [m <sup>3</sup> /min] [CFM]	Max. static pressure [Pa] [inchH <sub>2</sub> O]	SPL [dB (A)]	Operating temperature [°C]	Expected life [h]
9GV0312K301	12	7 to 13.2	0.79	9.48	18200	0.65 23	425 1.707	59	-20 to +60	40000/60°C (70000/40°C)
9GV0312J301			0.6	7.2	15900	0.57 20	315 1.265	54		
9GV0312G301			0.4	4.8	13500	0.48 17	220 0.924	50		
9GV0312E301		4.5 to 13.2	0.21	2.52	10500	0.37 13.1	130 0.522	43		
9GV0312H301			0.16	1.92	7000	0.24 8.5	60 0.241	34		

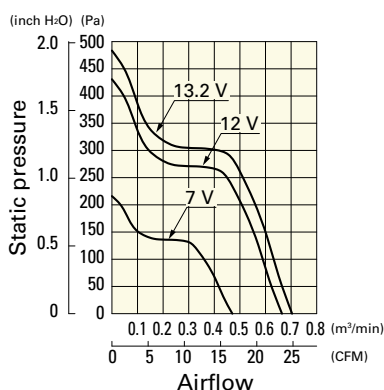
The following sensor and control options are available for selection.

Differs according to the model. Refer to the table on p. 606. Without sensor Lock sensor PWM control

## Airflow - Static Pressure Characteristics

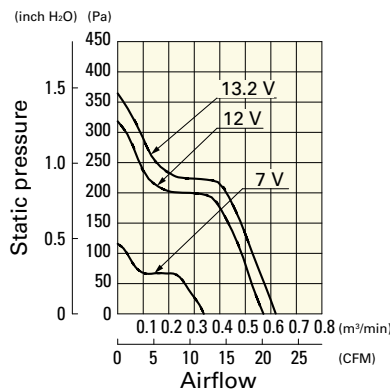
9GV0312K301 With pulse sensor

Operating voltage range



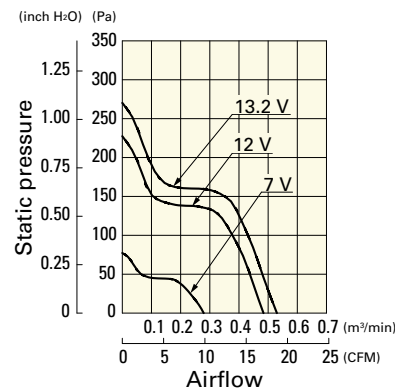
9GV0312J301 With pulse sensor

Operating voltage range



9GV0312G301 With pulse sensor

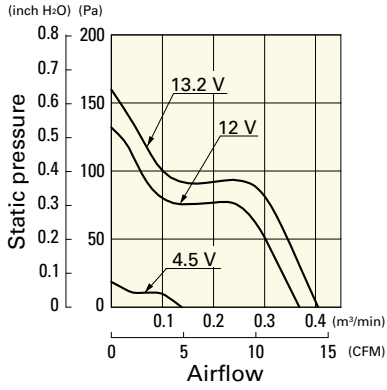
Operating voltage range



**Airflow - Static Pressure Characteristics**

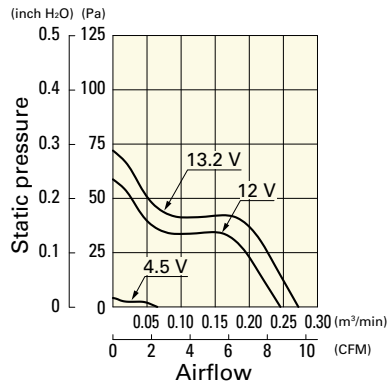
**9GV0312E301** With pulse sensor

Operating voltage range

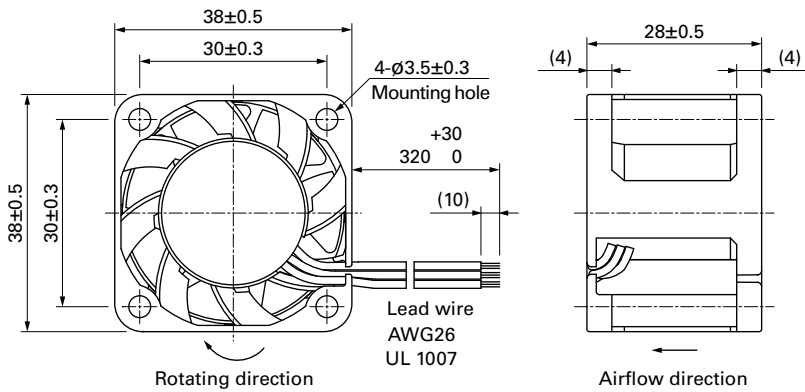


**9GV0312H301** With pulse sensor

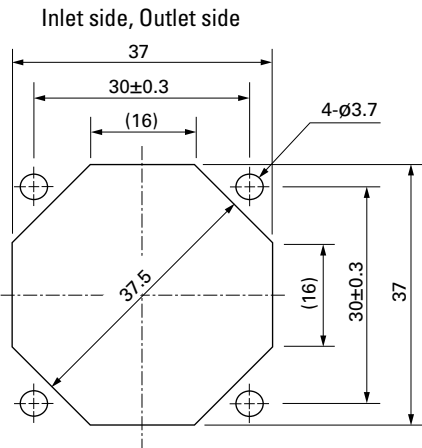
Operating voltage range



**Dimensions (unit: mm)** (With ribs)



**Reference Dimensions of Mounting Holes and Vent Opening (unit: mm)**



**Options**

Finger guards

page: p. 558

Model no.: 109-1065



# 40x40x10 mm

San Ace 40 9P<sub>type</sub>

## General Specifications

- Material ..... Frame: Plastic (Flammability: UL 94V-0), Impeller: Plastic (Flammability: UL 94V-1)
- Expected life ..... See the table below. (L10 life: 90% survival rate for continuous operation in free air at 60°C, rated voltage) Expected life at 40°C is for reference only.
- Motor protection function ..... Locked rotor burnout protection, Reverse polarity protection  
For details, please refer to p. 573.
- Dielectric strength ..... 50/60 Hz, 500 VAC, for 1 minute (between lead wire conductors and frame)
- Insulation resistance ..... 10 MΩ or more with a 500 VDC megger (between lead wire conductors and frame)
- Sound pressure level (SPL) ..... At 1 m away from the air inlet
- Storage temperature ..... -30 to +70°C (Non-condensing)
- Lead wire ..... ⊕Red ⊖Black or Blue  Sensor Yellow
- Mass ..... 19 g

## Specifications

The models listed below **have ribs and pulse sensors.**

Model no.	Rated voltage [V]	Operating voltage range [V]	Rated current [A]	Rated input [W]	Rated speed [min <sup>-1</sup> ]	Max. airflow [m <sup>3</sup> /min] [CFM]	Max. static pressure [Pa] [inchH <sub>2</sub> O]	SPL [dB (A)]	Operating temperature [°C]	Expected life [h]
109P0405H901	5	4.5 to 5.5	0.16	0.8	6200	0.15 5.3	41.2 0.165	25	-10 to +60	40000/60°C (70000/40°C)
109P0405M901			0.11	0.55	5000	0.12 4.2	27 0.108	21		
109P0412H901	12	7 to 13.8	0.07	0.84	6200	0.15 5.3	41.2 0.165	25		
109P0412M901			0.06	0.72	5000	0.12 4.2	27 0.108	21		
109P0424H901			0.04	0.96	6200	0.15 5.3	41.2 0.165	25		

The following sensor and control options are available for selection.

Available for all models. **Without sensor** **Lock sensor**

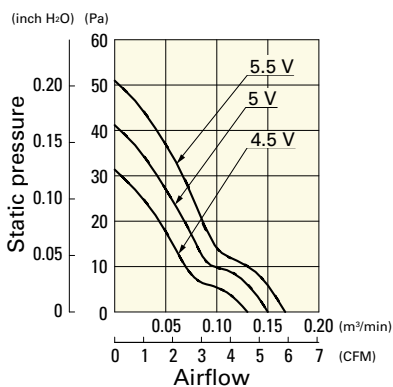
Differs according to the model. Refer to the table on pp. 595 to 596. **PWM control**

The **»** mark indicates Short LeadTime Service applicable models. See p. 626 for details.

## Airflow - Static Pressure Characteristics

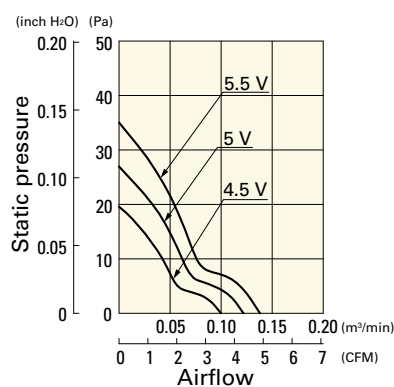
**109P0405H901** With pulse sensor

Operating voltage range



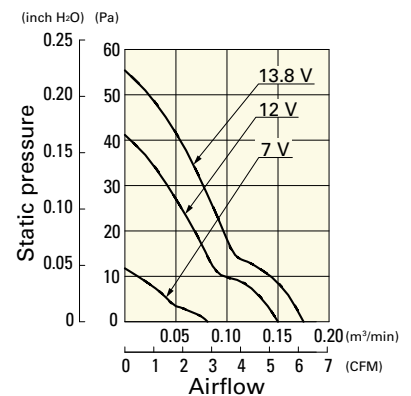
**109P0405M901** With pulse sensor

Operating voltage range



**109P0412H901** With pulse sensor

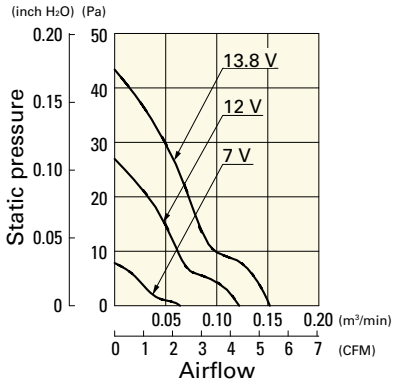
Operating voltage range



**Airflow - Static Pressure Characteristics**

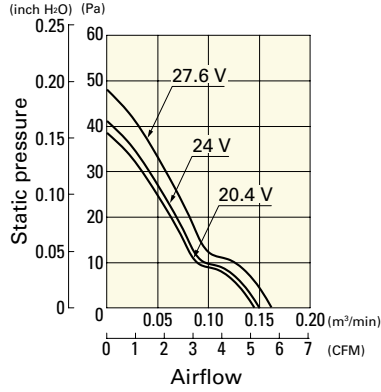
**109P0412M901** With pulse sensor

Operating voltage range

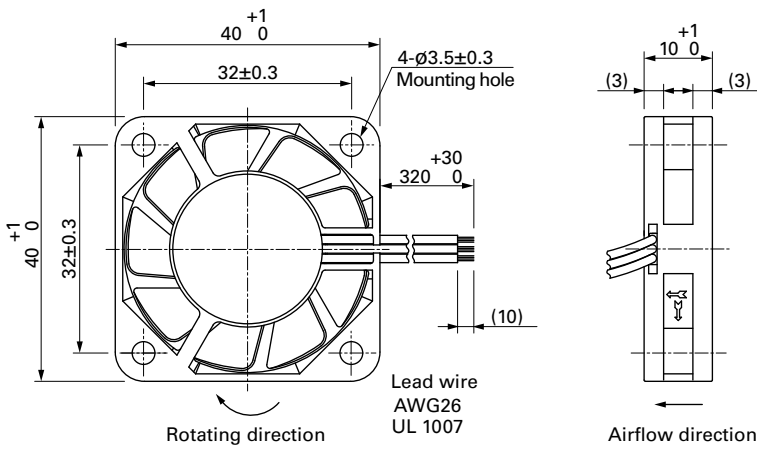


**109P0424H901** With pulse sensor

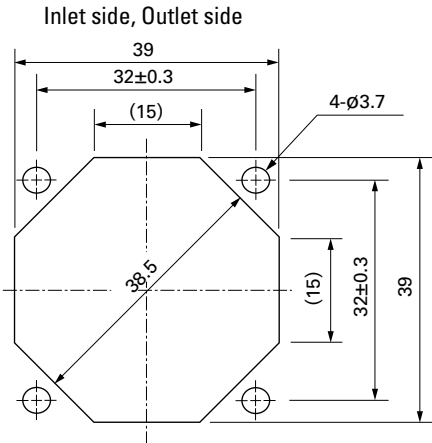
Operating voltage range



**Dimensions (unit: mm)**



**Reference Dimensions of Mounting Holes and Vent Opening (unit: mm)**



**Options**

Finger guards

page: p. 558

Model no.: 109-059, 109-059H





# 40x40x15 mm

**San Ace 40 9GA type** Low Power Consumption Fan

## General Specifications

- Material ..... Frame: Plastic (Flammability: UL 94V-0), Impeller: Plastic (Flammability: UL 94V-0)
- Expected life ..... See the table below. (L10 life: 90% survival rate for continuous operation in free air at 60°C, rated voltage)  
Expected life at 40°C is for reference only.
- Motor protection function ..... Locked rotor burnout protection, Reverse polarity protection  
For details, please refer to p. 573.
- Dielectric strength ..... 50/60 Hz, 500 VAC, for 1 minute (between lead wire conductors and frame)
- Insulation resistance ..... 10 MΩ or more with a 500 VDC megger (between lead wire conductors and frame)
- Sound pressure level (SPL) ..... At 1 m away from the air inlet
- Storage temperature ..... -30 to +70°C (Non-condensing)
- Lead wire ..... ⊕Red ⊖Black (Sensor) Yellow (Control) Brown  
(For models without PWM control function, there is no speed control wiring.)
- Mass ..... 28 g

## Specifications

The models listed below **have ribs and pulse sensors with PWM control function.**

Model no.	Rated voltage [V]	Operating voltage range [V]	PWM duty cycle [%]	Rated current [A]	Rated input [W]	Rated speed [min <sup>-1</sup> ]	Max. airflow [m <sup>3</sup> /min] [CFM]	Max. static pressure [Pa] [inchH <sub>2</sub> O]	SPL [dB (A)]	Operating temperature [°C]	Expected life [h]
9GA0412P7G001	12	10.2 to 13.8	100	0.17	2.04	13100	0.36 12.7	192 0.77	42	-20 to +70	40000/60°C (70000/40°C)

\* PWM input frequency is 25 kHz; models without specifications at 0% PWM duty cycle have zero fan speed at 0%.

The following sensor and control options are available for selection.

Available for all models. **Without sensor** **Pulse sensor** **Lock sensor**

The models listed below **have ribs and pulse sensors.**

Model no.	Rated voltage [V]	Operating voltage range [V]	Rated current [A]	Rated input [W]	Rated speed [min <sup>-1</sup> ]	Max. airflow [m <sup>3</sup> /min] [CFM]	Max. static pressure [Pa] [inchH <sub>2</sub> O]	SPL [dB (A)]	Operating temperature [°C]	Expected life [h]
9GA0412G7001	12	7 to 13.8	0.17	2.04	13100	0.36 12.7	192 0.77	42	-20 to +70	40000/60°C (70000/40°C)
9GA0412H7001			0.06	0.72	7300	0.2 7.1	59.6 0.24	28		

The following sensor and control options are available for selection.

Available for all models. **Without sensor** **Lock sensor**

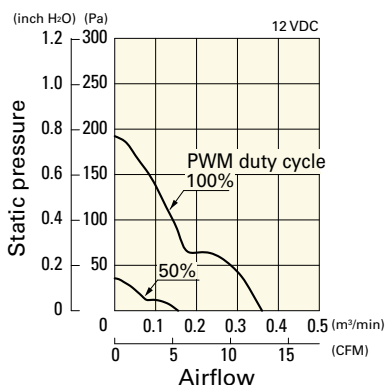
Differs according to the model. Refer to the table on p. 602. **PWM control**

The mark indicates Short LeadTime Service applicable models. See p. 626 for details.

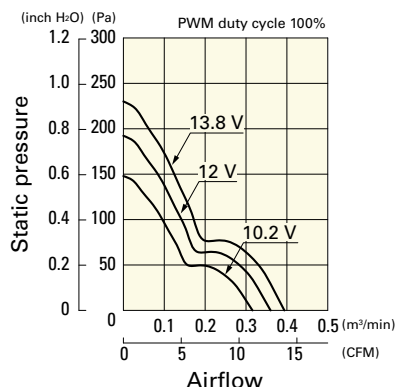
## Airflow - Static Pressure Characteristics / PWM Duty - Speed Characteristics Example

**9GA0412P7G001** With pulse sensor with PWM control function

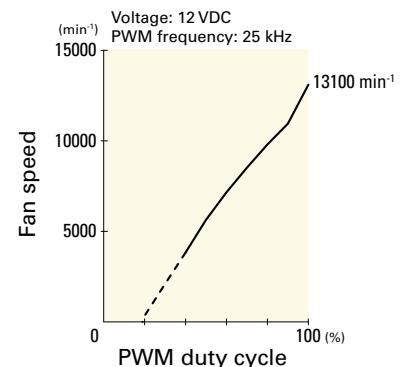
PWM duty cycle



Operating voltage range



PWM duty - Speed characteristics example



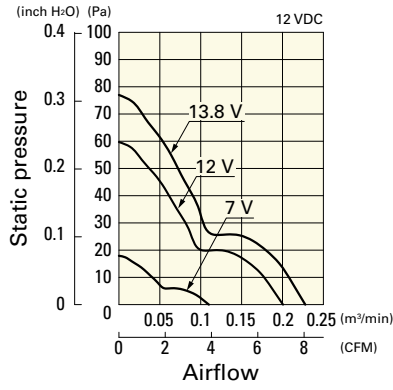
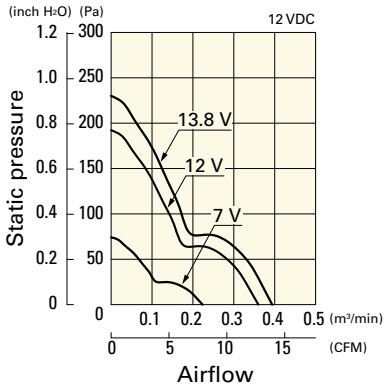
**Airflow - Static Pressure Characteristics**

**9GA0412G7001** With pulse sensor

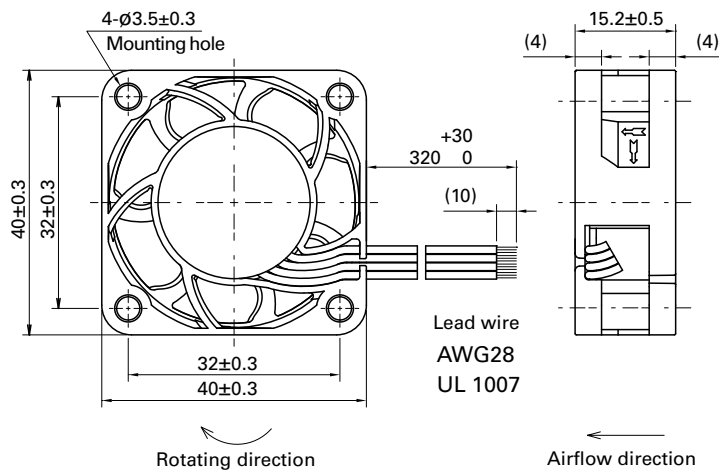
**9GA0412H7001** With pulse sensor

Operating voltage range

Operating voltage range

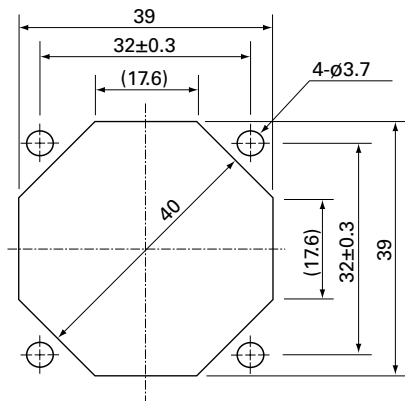


**Dimensions (unit: mm)** (With pulse sensor with PWM control function)



**Reference Dimensions of Mounting Holes and Vent Opening (unit: mm)**

Inlet side, Outlet side



**Options**

Finger guards

page: p. 558

Model no.: 109-059, 109-059H

# 40x40x15 mm



San Ace 40 9P<sub>type</sub>

## General Specifications

- Material ..... Frame: Plastic (Flammability: UL 94V-0), Impeller: Plastic (Flammability: UL 94V-1)
- Expected life ..... See the table below. (L10 life: 90% survival rate for continuous operation in free air at 60°C, rated voltage)  
Expected life at 40°C is for reference only.
- Motor protection function ..... Locked rotor burnout protection, Reverse polarity protection  
For details, please refer to p. 573.
- Dielectric strength ..... 50/60 Hz, 500 VAC, for 1 minute (between lead wire conductors and frame)
- Insulation resistance ..... 10 MΩ or more with a 500 VDC megger (between lead wire conductors and frame)
- Sound pressure level (SPL) ..... At 1 m away from the air inlet
- Storage temperature ..... -30 to +70°C (Non-condensing)
- Lead wire ..... ⊕Red ⊖Black or Blue  Sensor  Yellow
- Mass ..... 32 g

## Specifications

The models listed below **have ribs and pulse sensors.**

Model no.	Rated voltage [V]	Operating voltage range [V]	Rated current [A]	Rated input [W]	Rated speed [min <sup>-1</sup> ]	Max. airflow [m <sup>3</sup> /min] [CFM]	Max. static pressure [Pa] [inchH <sub>2</sub> O]	SPL [dB (A)]	Operating temperature [°C]	Expected life [h]		
» 109P0405H701	5	4.5 to 5.5	0.28	1.4	7700	0.18 6.4	75.5 0.303	28	-20 to +60	60000/60°C (90000/40°C)		
» 109P0405M701			0.21	1.05	6500	0.15 5.3	52.9 0.213	24				
» 109P0412R701	12	7 to 13.8	0.13	1.56	9700	0.227 8.0	111.9 0.449	34			-20 to +70	40000/60°C (70000/40°C)
» 109P0412S701			0.18	2.16	8600	0.2 7.06	92.1 0.369	32				
» 109P0412H701		10.2 to 13.8	0.13	1.56	7700	0.18 6.4	75.5 0.303	28				
» 109P0412M701			0.095	1.14	6500	0.15 5.3	52.9 0.213	24				
» 109P0424H701	24	20.4 to 27.6	0.08	1.92	7700	0.18 6.4	75.5 0.303	28		60000/60°C (90000/40°C)		

The following sensor and control options are available for selection.

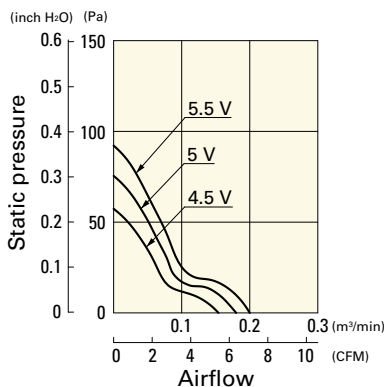
Available for all models.  Without sensor  Lock sensor

The » mark indicates Short Lead Time Service applicable models. See p. 626 for details.

## Airflow - Static Pressure Characteristics

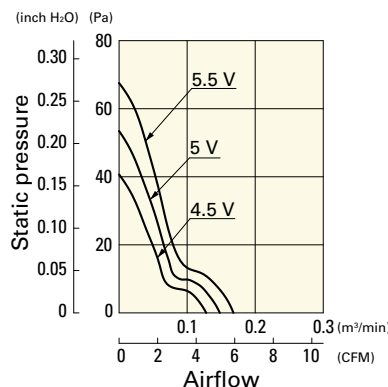
**109P0405H701** With pulse sensor

Operating voltage range



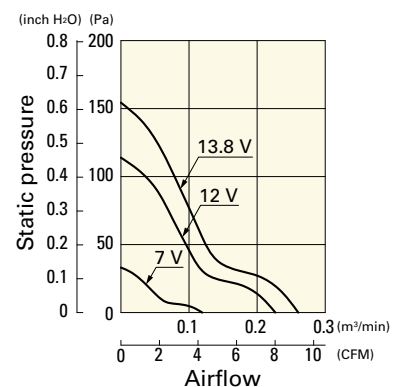
**109P0405M701** With pulse sensor

Operating voltage range



**109P0412R701** With pulse sensor

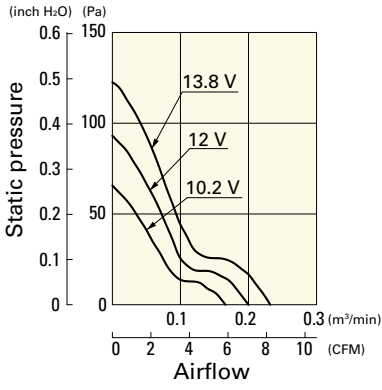
Operating voltage range



## Airflow - Static Pressure Characteristics

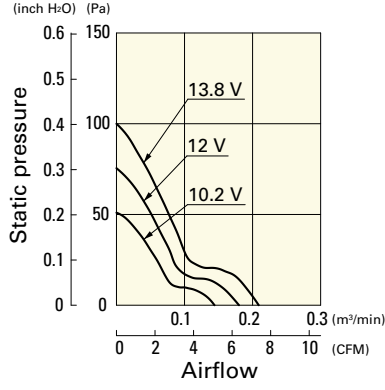
**109P0412S701** With pulse sensor

Operating voltage range



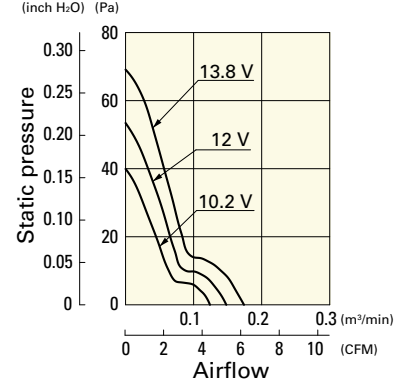
**109P0412H701** With pulse sensor

Operating voltage range



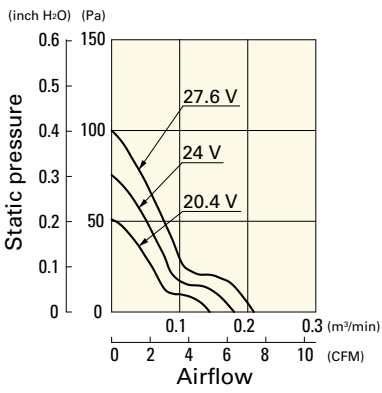
**109P0412M701** With pulse sensor

Operating voltage range

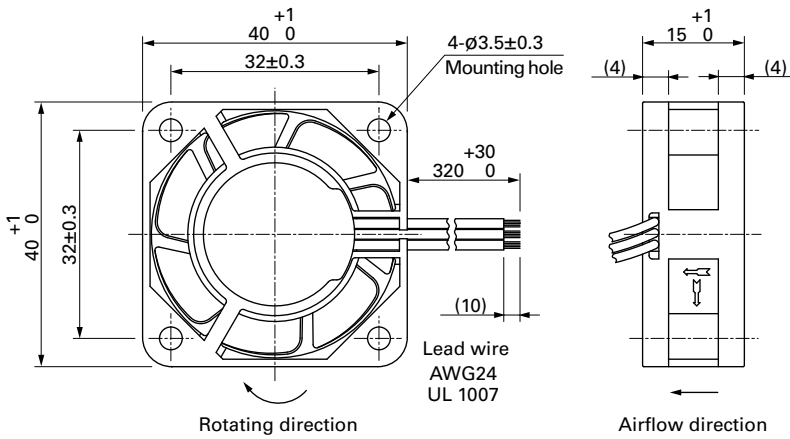


**109P0424H701** With pulse sensor

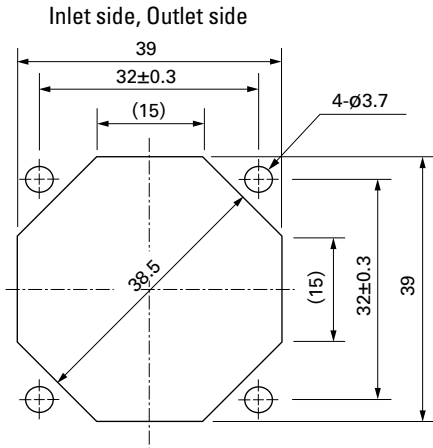
Operating voltage range



## Dimensions (unit: mm)



■ Reference Dimensions of Mounting Holes and Vent Opening (unit: mm)



■ Options

Finger guards page: p. 558

Model no.: 109-059, 109-059H

DC Fan



# 40x40x20 mm

**San Ace 40 9GA type** Low Power Consumption Fan

## General Specifications

- Material ..... Frame: Plastic (Flammability: UL 94V-0), Impeller: Plastic (Flammability: UL 94V-0)
- Expected life ..... See the table below. (L10 life: 90% survival rate for continuous operation in free air at 60°C, rated voltage)  
Expected life at 40°C is for reference only.
- Motor protection function ..... Locked rotor burnout protection, Reverse polarity protection  
For details, please refer to p. 573.
- Dielectric strength ..... 50/60 Hz, 500 VAC, for 1 minute (between lead wire conductors and frame)
- Insulation resistance ..... 10 MΩ or more with a 500 VDC megger (between lead wire conductors and frame)
- Sound pressure level (SPL) ..... At 1 m away from the air inlet
- Storage temperature ..... -30 to +70°C (Non-condensing)
- Lead wire ..... ⊕Red ⊖Black Sensor Yellow Control Brown
- Mass ..... 35 g

## Specifications

The models listed below **have ribs and pulse sensors with PWM control function.**

Model no.	Rated voltage [V]	Operating voltage range [V]	PWM duty cycle* [%]	Rated current [A]	Rated input [W]	Rated speed [min <sup>-1</sup> ]	Max. airflow [m <sup>3</sup> /min] [CFM]	Max. static pressure [Pa] [inchH <sub>2</sub> O]	SPL [dB (A)]	Operating temperature [°C]	Expected life [h]
9GA0405P6H001	5	4.5 to 5.5	100	0.35	1.75	12400	0.33 11.7	191 0.77	40	-20 to +70	40000/60°C (70000/40°C)
9GA0405P6F001			100	0.18	0.9	8000	0.21 7.4	79.5 0.32	28		60000/60°C (90000/40°C)
9GA0412P6G001	12	10.2 to 13.8	100	0.23	2.76	16000	0.42 14.8	318 1.28	47		40000/60°C (70000/40°C)
9GA0412P6H001			0	0.04	0.48	3800	0.1 3.5	17.9 0.07	14		60000/60°C (90000/40°C)
9GA0412P6F001			100	0.14	1.68	12400	0.33 11.7	191 0.77	40		60000/60°C (90000/40°C)
9GA0412P6H001			0	0.04	0.48	3800	0.1 3.5	17.9 0.07	14		60000/60°C (90000/40°C)
9GA0412P6F001			100	0.08	0.96	8000	0.21 7.4	79.5 0.32	28		60000/60°C (90000/40°C)
9GA0412P6F001			0	0.03	0.36	2200	0.06 2.1	6.0 0.02	10		60000/60°C (90000/40°C)
9GA0424P6G001	24	20.4 to 27.6	100	0.13	3.12	16000	0.42 14.8	318 1.28	47		40000/60°C (70000/40°C)
9GA0424P6H001			100	0.08	1.92	12400	0.33 11.7	191 0.77	40		60000/60°C (90000/40°C)
9GA0424P6F001			100	0.04	0.96	8000	0.21 7.4	79.5 0.32	28		60000/60°C (90000/40°C)

\* PWM input frequency is 25 kHz; models without specifications at 0% PWM duty cycle have zero fan speed at 0%.

The following sensor and control options are available for selection.

Available for all models. Without sensor Pulse sensor

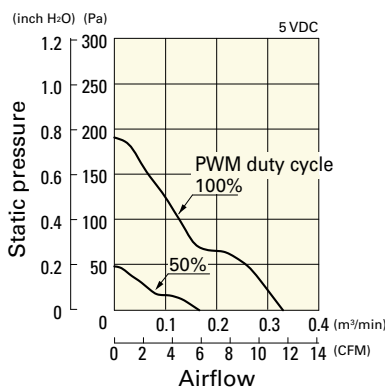
Differs according to the model. Refer to the table on p. 602. Lock sensor

The mark indicates Short LeadTime Service applicable models. See p. 626 for details.

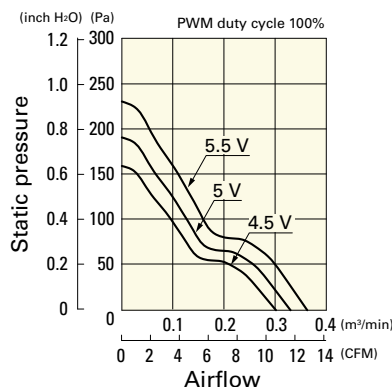
## Airflow - Static Pressure Characteristics / PWM Duty - Speed Characteristics Example

**9GA0405P6H001** With pulse sensor with PWM control function

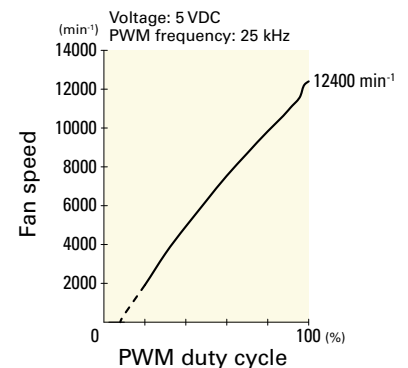
PWM duty cycle



Operating voltage range



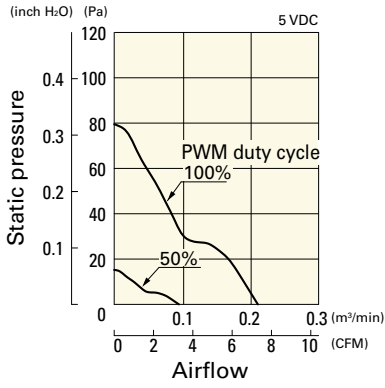
PWM duty - Speed characteristics example



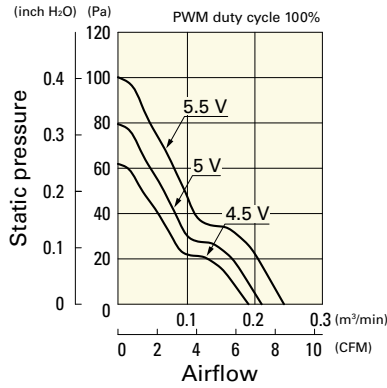
**Airflow - Static Pressure Characteristics / PWM Duty - Speed Characteristics Example**

**9GA0405P6F001** With pulse sensor with PWM control function

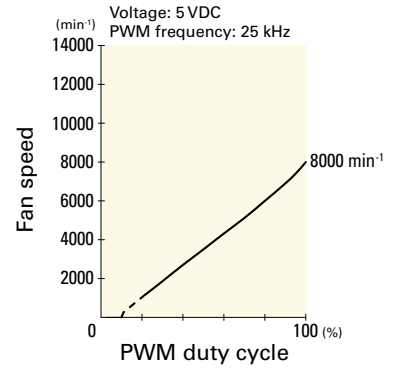
PWM duty cycle



Operating voltage range

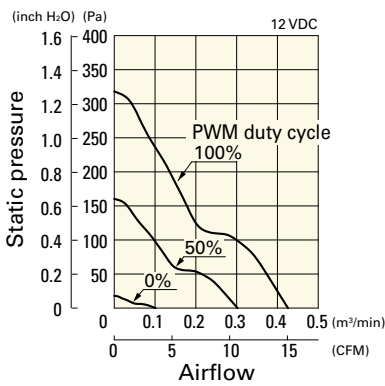


PWM duty - Speed characteristics example

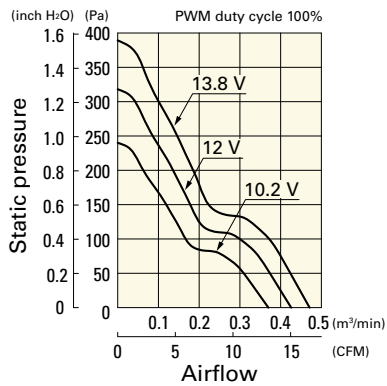


**9GA0412P6G001** With pulse sensor with PWM control function

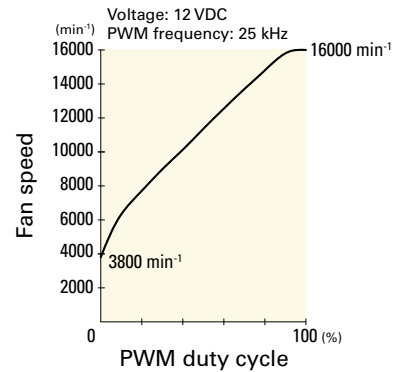
PWM duty cycle



Operating voltage range

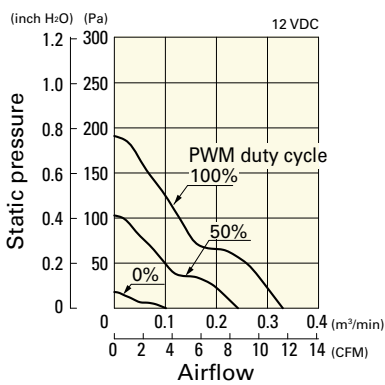


PWM duty - Speed characteristics example

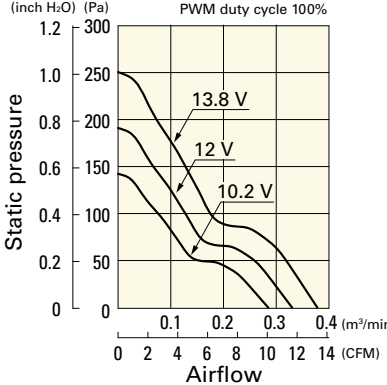


**9GA0412P6H001** With pulse sensor with PWM control function

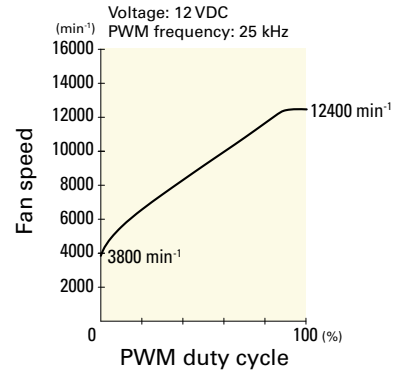
PWM duty cycle



Operating voltage range

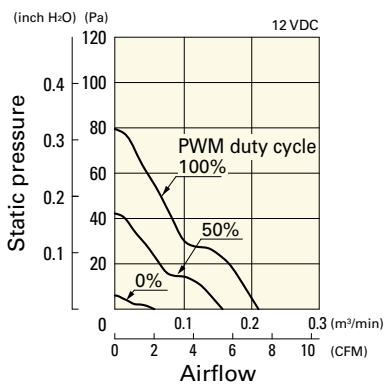


PWM duty - Speed characteristics example

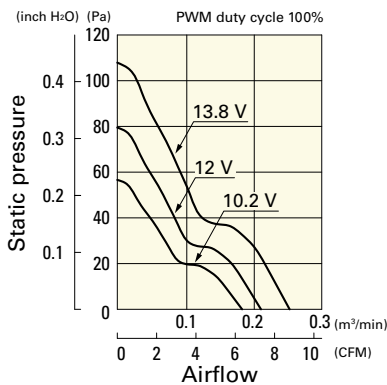


**9GA0412P6F001** With pulse sensor with PWM control function

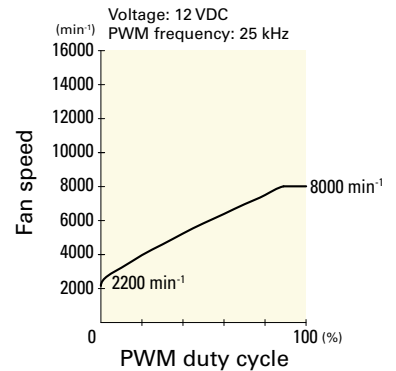
PWM duty cycle



Operating voltage range



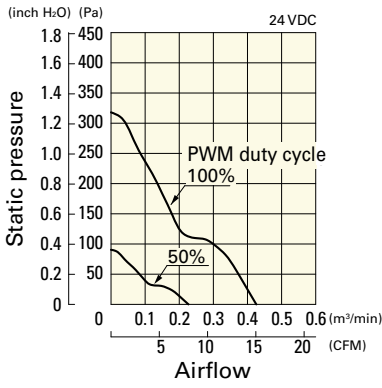
PWM duty - Speed characteristics example



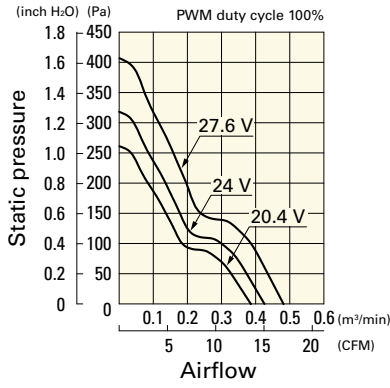
**Airflow - Static Pressure Characteristics / PWM Duty - Speed Characteristics Example**

**9GA0424P6G001** With pulse sensor with PWM control function

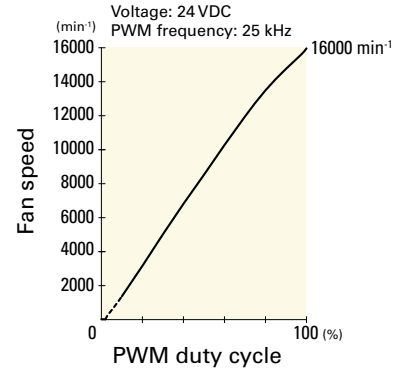
PWM duty cycle



Operating voltage range

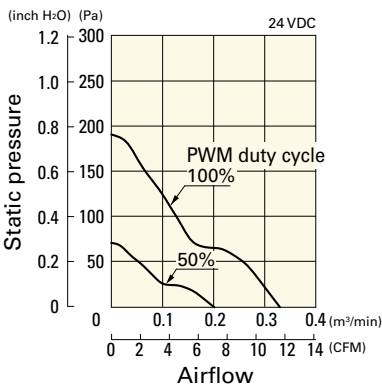


PWM duty - Speed characteristics example

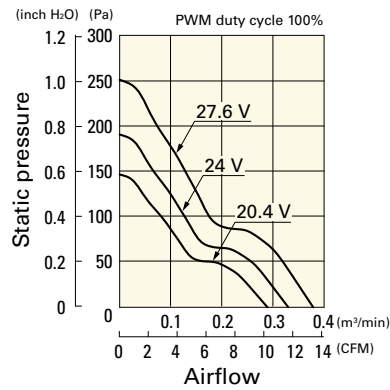


**9GA0424P6H001** With pulse sensor with PWM control function

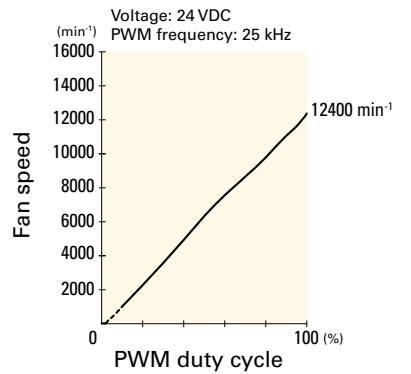
PWM duty cycle



Operating voltage range

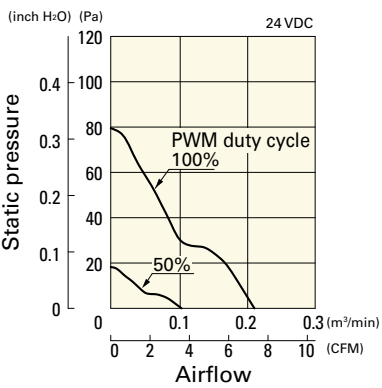


PWM duty - Speed characteristics example

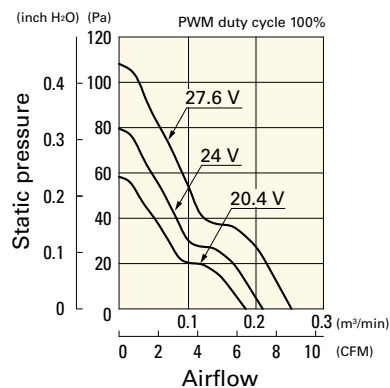


**9GA0424P6F001** With pulse sensor with PWM control function

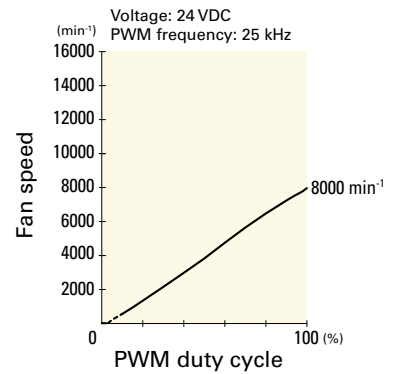
PWM duty cycle



Operating voltage range

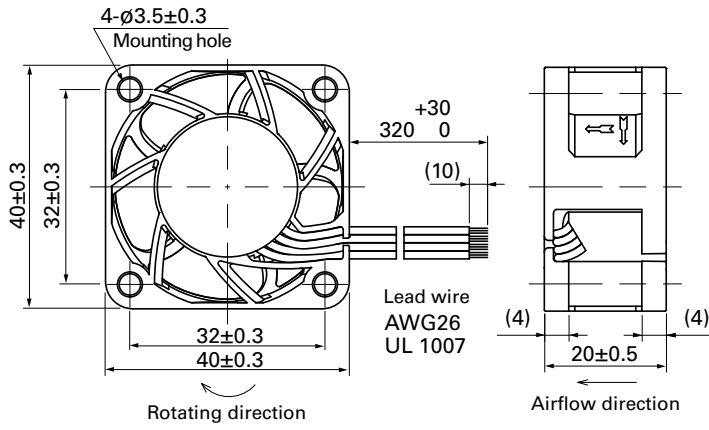


PWM duty - Speed characteristics example

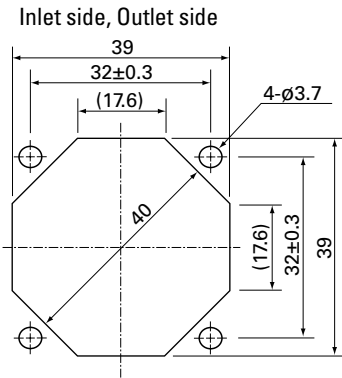




**Dimensions (unit: mm)**



**Reference Dimensions of Mounting Holes and Vent Opening (unit: mm)**



**Options**

Finger guards

page: p. 558

Model no.: 109-059, 109-059H



# 40x40x20 mm

San Ace 40 9P type

## General Specifications

- Material ..... Frame: Plastic (Flammability: UL 94V-0), Impeller: Plastic (Flammability: UL 94V-1)
- Expected life ..... See the table below. (L10 life: 90% survival rate for continuous operation in free air at 60°C, rated voltage)  
Expected life at 40°C is for reference only.
- Motor protection function ..... Locked rotor burnout protection, Reverse polarity protection  
For details, please refer to p. 573.
- Dielectric strength ..... 50/60 Hz, 500 VAC, for 1 minute (between lead wire conductors and frame)
- Insulation resistance ..... 10 MΩ or more with a 500 VDC megger (between lead wire conductors and frame)
- Sound pressure level (SPL) ..... At 1 m away from the air inlet
- Storage temperature ..... -30 to +70°C (Non-condensing)
- Lead wire ..... ⊕Red ⊖Black or Blue Sensor Yellow
- Mass ..... 45 g

## Specifications

The models listed below **have ribs and pulse sensors.**

Model no.	Rated voltage [V]	Operating voltage range [V]	Rated current [A]	Rated input [W]	Rated speed [min <sup>-1</sup> ]	Max. airflow [m <sup>3</sup> /min] [CFM]	Max. static pressure [Pa] [inchH <sub>2</sub> O]	SPL [dB (A)]	Operating temperature [°C]	Expected life [h]
» 109P0405J601	5	4.5 to 5.5	0.46	2.3	9800	0.28 9.9	98.5 0.396	39	-20 to +70	40000/60°C (70000/40°C)
» 109P0405H601			0.32	1.6	8000	0.225 8.0	65.7 0.264	33		
» 109P0405F601			0.25	1.25	6500	0.183 6.5	45.1 0.181	28		
» 109P0405M601			0.12	0.6	5000	0.136 4.8	26.5 0.106	24		
» 109P0412G601	12	7 to 13.8	0.28	3.36	12500	0.35 12.4	153.8 0.618	44	-20 to +60	40000/60°C (70000/40°C)
» 109P0412D601			0.18	2.16	11000	0.31 10.9	124 0.498	42		
» 109P0412E601			0.13	1.56	9200	0.26 9.2	87.3 0.351	37		
» 109P0412H601			0.11	1.32	8000	0.225 8.0	65.7 0.264	33		
» 109P0412F601			0.09	1.08	6500	0.183 6.5	45.1 0.181	28		
» 109P0412M601			0.06	0.72	5000	0.136 4.8	26.5 0.106	24		
» 109P0424G601	24	12 to 27.6	0.15	3.6	12500	0.35 12.4	153.8 0.618	44	-20 to +60	40000/60°C (70000/40°C)
» 109P0424D601			0.13	3.12	11000	0.31 10.9	124 0.498	42		
» 109P0424H601			0.07	1.68	8300	0.233 8.2	69.6 0.28	35		
» 109P0424F601			0.06	1.44	6500	0.183 6.5	45.1 0.181	28		
» 109P0424B601		20.4 to 27.6	0.06	1.44	5200	0.14 4.9	28.3 0.114	25	-20 to +70	60000/60°C (90000/40°C)

The following sensor and control options are available for selection.

Available for all models. Without sensor

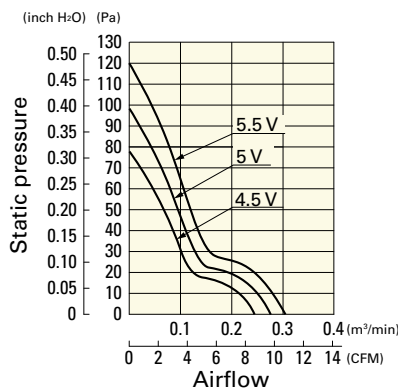
Differs according to the model. Refer to the table on pp. 595 to 596. Lock sensor

The » mark indicates Short Lead Time Service applicable models. See p. 626 for details.

## Airflow - Static Pressure Characteristics

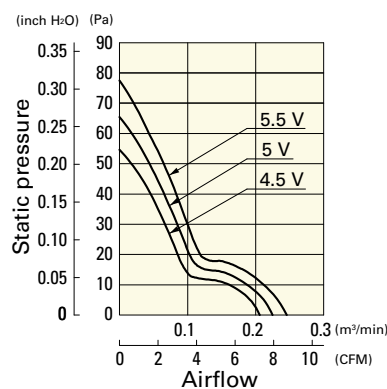
**109P0405J601** With pulse sensor

Operating voltage range



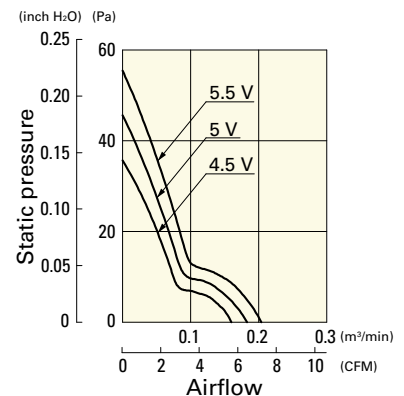
**109P0405H601** With pulse sensor

Operating voltage range



**109P0405F601** With pulse sensor

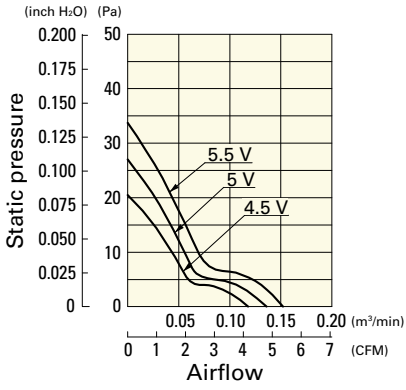
Operating voltage range



# Airflow - Static Pressure Characteristics

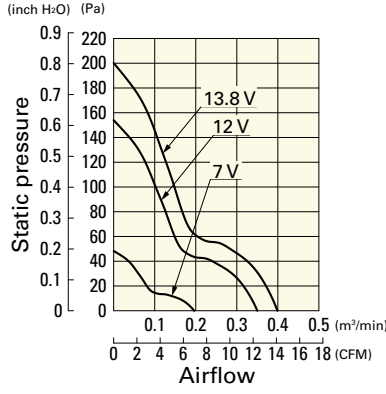
**109P0405M601** With pulse sensor

Operating voltage range



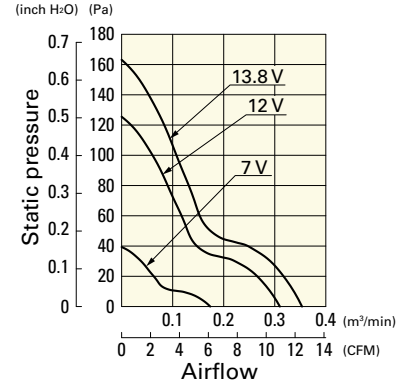
**109P0412G601** With pulse sensor

Operating voltage range



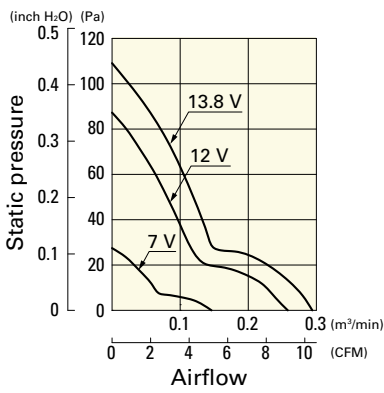
**109P0412D601** With pulse sensor

Operating voltage range



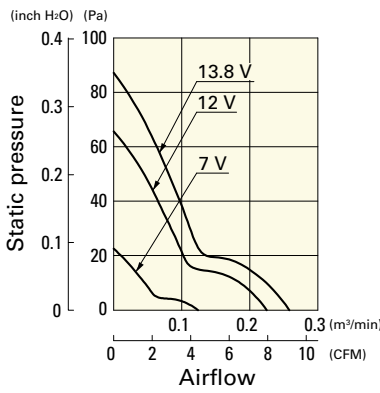
**109P0412E601** With pulse sensor

Operating voltage range



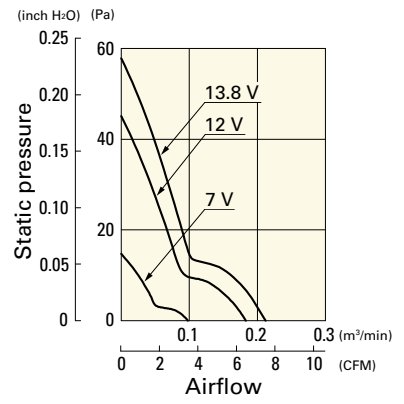
**109P0412H601** With pulse sensor

Operating voltage range



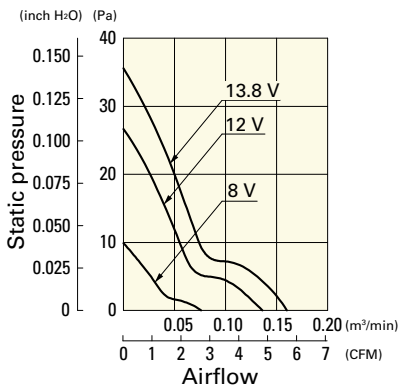
**109P0412F601** With pulse sensor

Operating voltage range



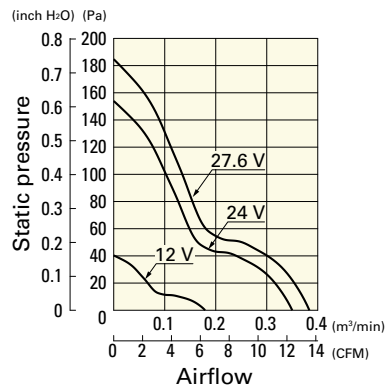
**109P0412M601** With pulse sensor

Operating voltage range



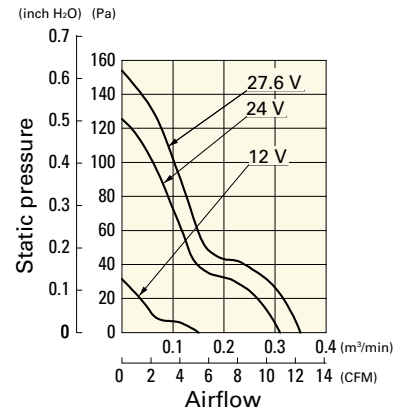
**109P0424G601** With pulse sensor

Operating voltage range



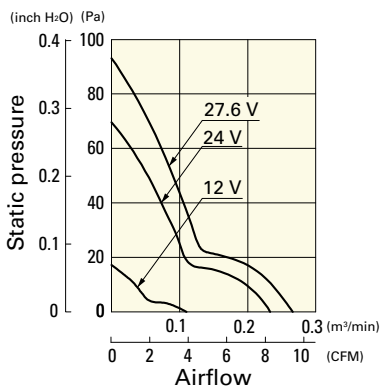
**109P0424D601** With pulse sensor

Operating voltage range



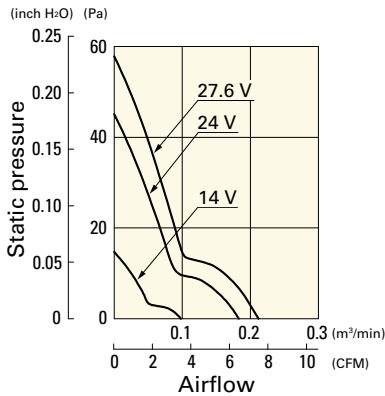
**109P0424H601** With pulse sensor

Operating voltage range



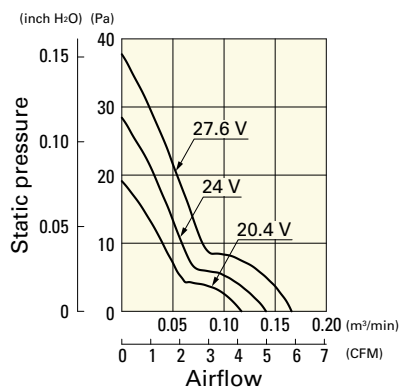
**109P0424F601** With pulse sensor

Operating voltage range

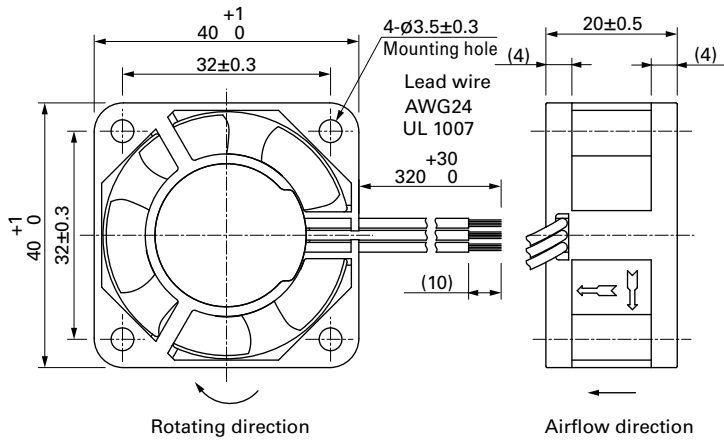


**109P0424B601** With pulse sensor

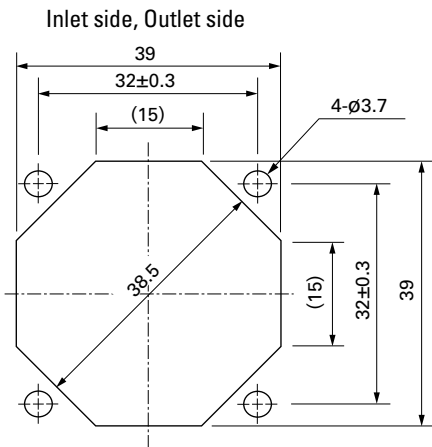
Operating voltage range



**Dimensions (unit: mm)**



**Reference Dimensions of Mounting Holes and Vent Opening (unit: mm)**



**Options**

Finger guards

page: p. 558

Model no.: 109-059, 109-059H



# 40x40x28 mm

San Ace 40 9HV type

## General Specifications

- Material ..... Frame: Aluminum, Impeller: Plastic (Flammability: UL 94V-0)
- Expected life ..... See the table below. (L10 life: 90% survival rate for continuous operation in free air at 60°C, rated voltage)  
Expected life at 40°C is for reference only.
- Motor protection function ..... Locked rotor burnout protection, Reverse polarity protection  
For details, please refer to p. 573.
- Dielectric strength ..... 50/60 Hz, 500 VAC, for 1 minute (between lead wire conductors and frame)
- Insulation resistance ..... 10 MΩ or more with a 500 VDC megger (between lead wire conductors and frame)
- Sound pressure level (SPL) ..... At 1 m away from the air inlet
- Storage temperature ..... -30 to +70°C (Non-condensing)
- Lead wire ..... ⊕Red ⊖Black  Sensor  Yellow  Control  Brown
- Mass ..... 60 g

## Specifications

The models listed below **have pulse sensors with PWM control function.**

Model no.	Rated voltage [V]	Operating voltage range [V]	PWM duty cycle [%]	Rated current [A]	Rated input [W]	Rated speed [min <sup>-1</sup> ]	Max. airflow [m <sup>3</sup> /min] [CFM]	Max. static pressure [Pa] [inchH <sub>2</sub> O]	SPL [dB (A)]	Operating temperature [°C]	Expected life [h]
9HV0412P3K001	12	10.8 to 12.6	100	1.52	18.3	25000	0.83 29.3	1100 4.42	65	-20 to +60	40000/60°C (70000/40°C)
			0	0.2	2.4	7500	0.25 8.8	99 0.4	37		

\* PWM input frequency is 25 kHz; models without specifications at 0% PWM duty cycle have zero fan speed at 0%.

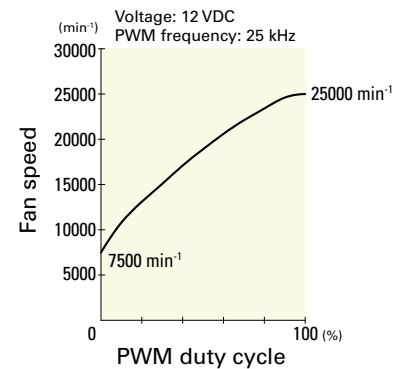
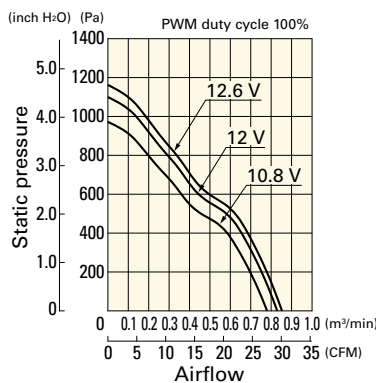
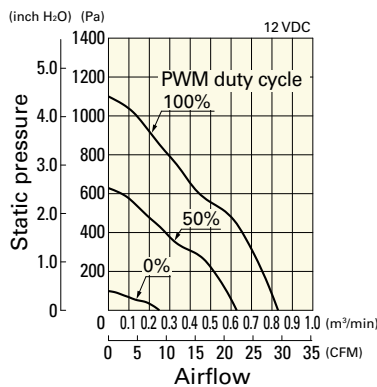
## Airflow - Static Pressure Characteristics / PWM Duty - Speed Characteristics Example

**9HV0412P3K001** With pulse sensor with PWM control function

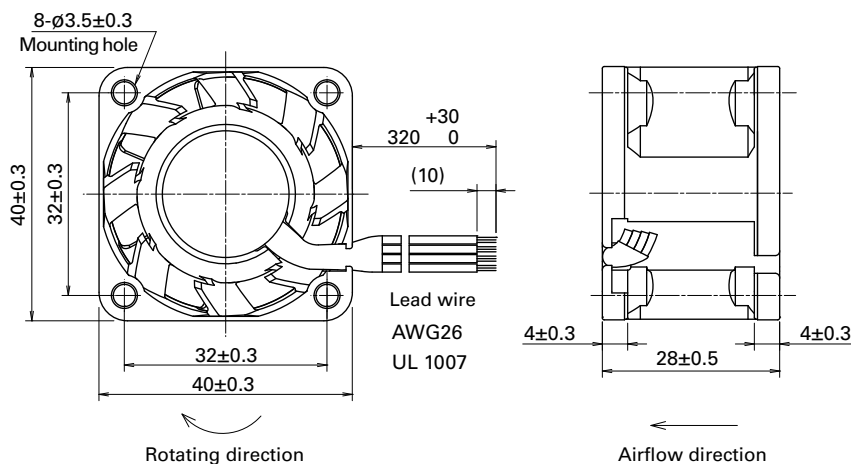
PWM duty cycle

Operating voltage range

PWM duty - Speed characteristics example

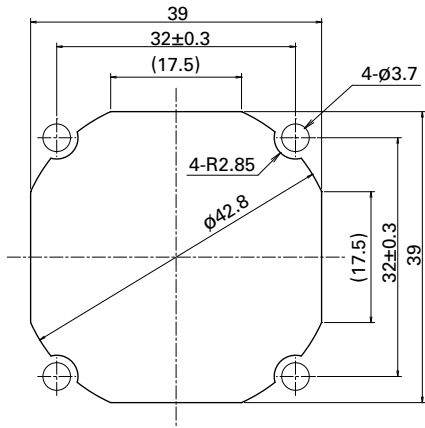


## Dimensions (unit: mm)



## Reference Dimensions of Mounting Holes and Vent Opening (unit: mm)

Inlet side, Outlet side




## Options

Finger guards

page: p. 558

Model no.: 109-059, 109-059H

# 40x40x28 mm

San Ace 40 9GAX type Low Power Consumption Fan 



## General Specifications


- Material ..... Frame: Plastic (Flammability: UL 94V-0), Impeller: Plastic (Flammability: UL 94V-0)
- Expected life ..... See the table below. (L10 life: 90% survival rate for continuous operation in free air at 60°C, rated voltage)  
Expected life at 40°C is for reference only.
- Motor protection function ..... Locked rotor burnout protection, Reverse polarity protection  
For details, please refer to p. 573.
- Dielectric strength ..... 50/60 Hz, 500 VAC, for 1 minute (between lead wire conductors and frame)
- Insulation resistance ..... 10 MΩ or more with a 500 VDC megger (between lead wire conductors and frame)
- Sound pressure level (SPL) ..... At 1 m away from the air inlet
- Storage temperature ..... -30 to +70°C (Non-condensing)
- Lead wire ..... ⊕Red ⊖Black  Sensor  Yellow  Control  Brown
- Mass ..... 53 g

## Specifications

The models listed below **have ribs and pulse sensors with PWM control function.** For models without ribs, append "1" to the end of model numbers.

Model no.	Rated voltage [V]	Operating voltage range [V]	PWM duty cycle [%]	Rated current [A]	Rated input [W]	Rated speed [min <sup>-1</sup> ]	Max. airflow [m <sup>3</sup> /min] [CFM]	Max. static pressure [Pa] [inchH <sub>2</sub> O]	SPL [dB (A)]	Operating temperature [°C]	Expected life [h]		
9GAX0412P3S001	12	10.8 to 12.6	100	1.3	15.6	25000	0.9 31.8	1000 4.02	64	-20 to +60	30000/60°C (53000/40°C)		
			20	0.07	0.84	4400	0.155 5.5	32 0.125	21.5				
9GAX0412P3S003			10.8 to 13.2	100	1.3	15.6	25000	0.9 31.8	1000 4.02			64	
				0	0.11	1.32	7800	0.26 9.2	87 0.35			38	
9GAX0412P3K001				10.8 to 13.2	100	0.92	11.04	22000	0.81 28.6			800 3.21	61
					20	0.07	0.84	4200	0.15 5.3			28 0.11	21
9GAX0412P3K003		10.8 to 13.2			100	0.92	11.04	22000	0.81 28.6			800 3.21	61
					0	0.1	1.2	6500	0.24 8.5			70 0.28	32

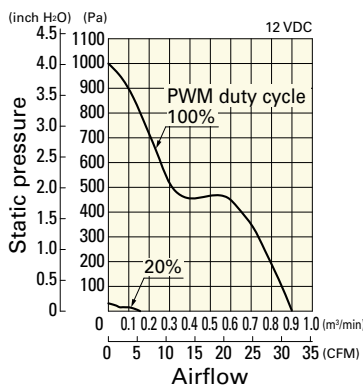
\* PWM input frequency is 25 kHz; models without specifications at 0% PWM duty cycle have zero fan speed at 0%.

The  mark indicates Short LeadTime Service applicable models. See p. 626 for details.

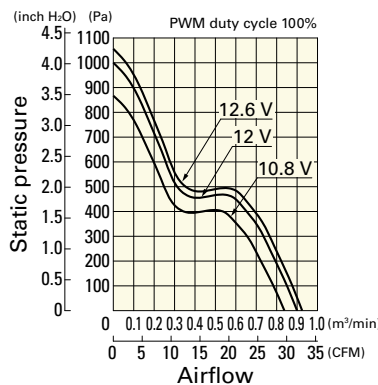
## Airflow - Static Pressure Characteristics / PWM Duty - Speed Characteristics Example

**9GAX0412P3S001** With pulse sensor with PWM control function

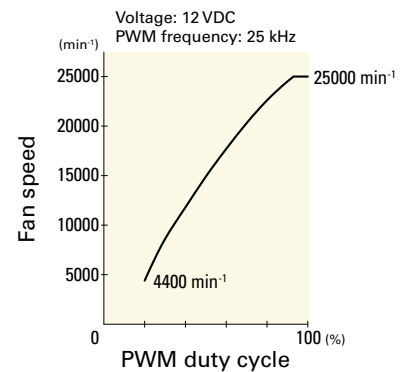
PWM duty cycle



Operating voltage range



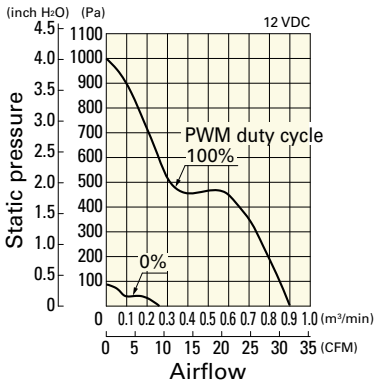
PWM duty - Speed characteristics example



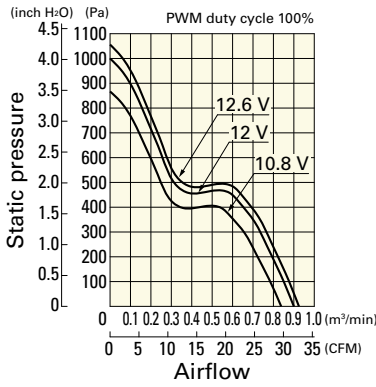
**Airflow - Static Pressure Characteristics / PWM Duty - Speed Characteristics Example**

**9GAX0412P3S003** With pulse sensor with PWM control function

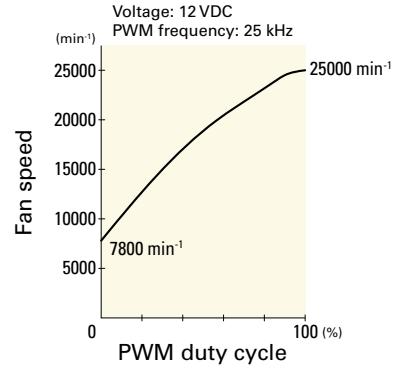
PWM duty cycle



Operating voltage range

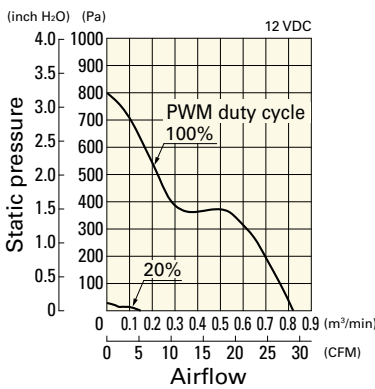


PWM duty - Speed characteristics example

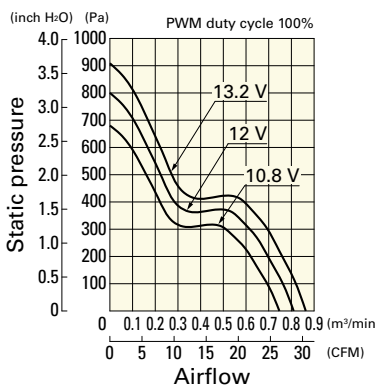


**9GAX0412P3K001** With pulse sensor with PWM control function

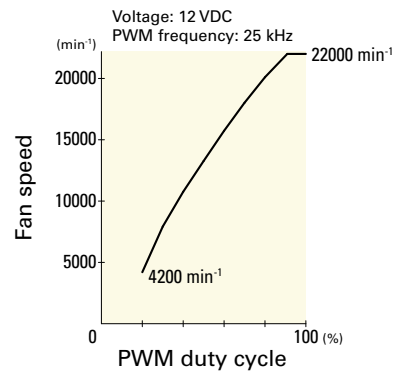
PWM duty cycle



Operating voltage range

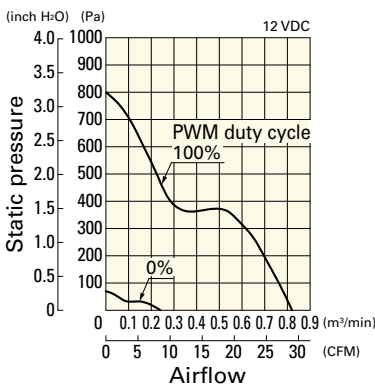


PWM duty - Speed characteristics example

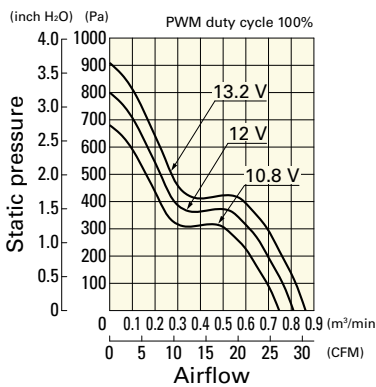


**9GAX0412P3K003** With pulse sensor with PWM control function

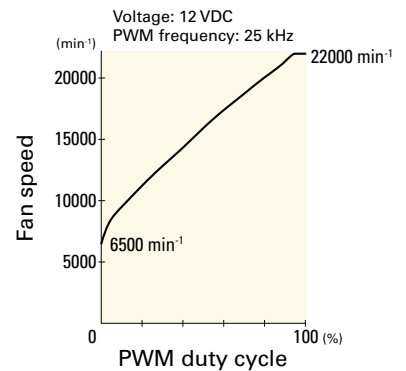
PWM duty cycle



Operating voltage range

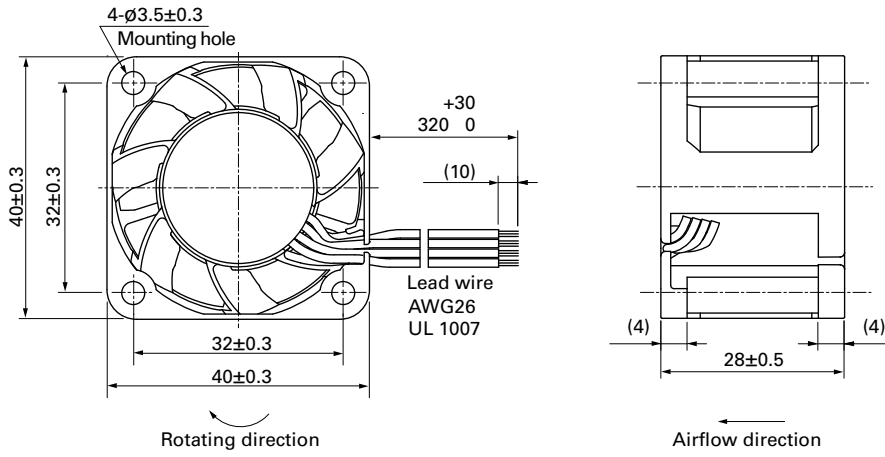


PWM duty - Speed characteristics example

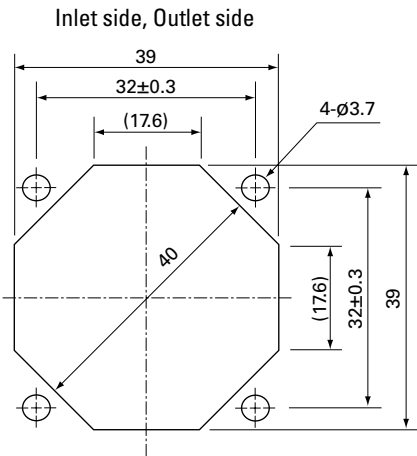




**Dimensions (unit: mm)** (With ribs)



**Reference Dimensions of Mounting Holes and Vent Opening (unit: mm)**



**Options**

Finger guards

page: p. 558

Model no.: 109-059, 109-059H

DC Fan



# 40x40x28 mm

**San Ace 40 9GA** type Low Power Consumption Fan

## General Specifications

- Material ..... Frame: Plastic (Flammability: UL 94V-0), Impeller: Plastic (Flammability: UL 94V-0)
- Expected life ..... See the table below. (L10 life: 90% survival rate for continuous operation in free air at 60°C, rated voltage)  
Expected life at 40°C is for reference only.
- Motor protection function ..... Locked rotor burnout protection, Reverse polarity protection  
For details, please refer to p. 573.
- Dielectric strength ..... 50/60 Hz, 500 VAC, for 1 minute (between lead wire conductors and frame)
- Insulation resistance ..... 10 MΩ or more with a 500 VDC megger (between lead wire conductors and frame)
- Sound pressure level (SPL) ..... At 1 m away from the air inlet
- Storage temperature ..... -30 to +70°C (Non-condensing)
- Lead wire ..... ⊕Red ⊖Black  Sensor  Yellow  Control  Brown
- Mass ..... 53 g

## Specifications

The models listed below **have ribs and pulse sensors with PWM control function**. For models without ribs, append "1" to the end of model numbers.

Model no.	Rated voltage [V]	Operating voltage range [V]	PWM duty cycle [%]	Rated current [A]	Rated input [W]	Rated speed [min <sup>-1</sup> ]	Max. airflow [m <sup>3</sup> /min] [CFM]	Max. static pressure [Pa] [inchH <sub>2</sub> O]	SPL [dB (A)]	Operating temperature [°C]	Expected life [h]				
9GA0412P3K01	12	10.8 to 13.2	100	0.92	11.04	22000	0.81 28.6	799 3.21	61	-20 to +60	30000/60°C (53000/40°C)				
			0	0.1	1.2	6500	0.23 8.12	68 0.27	32						
9GA0412P3J01			100	0.49	5.88	18000	0.67 23.7	535 2.15	54						
			0	0.05	0.6	4500	0.16 5.7	33 0.13	22						
9GA0412P3G01			100	0.39	4.68	16500	0.61 21.5	450 1.81	53						
			0	0.05	0.6	4500	0.16 5.7	33 0.13	22						
9GA0412P3H01			100	0.28	3.36	14500	0.54 19.1	347 1.39	50						
			0	0.04	0.48	3500	0.13 4.6	20 0.08	17						
9GA0412P3M01			100	0.21	2.52	12500	0.46 16.2	258 1.04	47						
			0	0.04	0.48	3500	0.13 4.6	20 0.08	17						
9GA0424P3J001			24	21.6 to 26.4	100	0.27	6.48	18000	0.67 23.7			535 2.15	54	-20 to +70	40000/60°C (70000/40°C)
9GA0424P3G001					100	0.22	5.28	16500	0.61 21.5			450 1.81	53		
9GA0424P3H001	100	0.16			3.84	14500	0.54 19.1	347 1.39	50						
9GA0424P3M001	100	0.11			2.64	12500	0.46 16.2	258 1.04	47						

\* PWM input frequency is 25 kHz; models without specifications at 0% PWM duty cycle have zero fan speed at 0%.

The following sensor and control options are available for selection.

Available for all models.  Without sensor  Pulse sensor

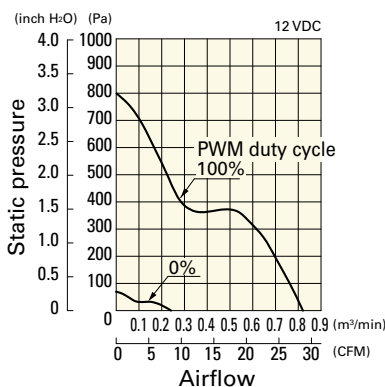
Differs according to the model. Refer to the table on p. 602.  Lock sensor

The mark indicates Short LeadTime Service applicable models. See p. 626 for details.

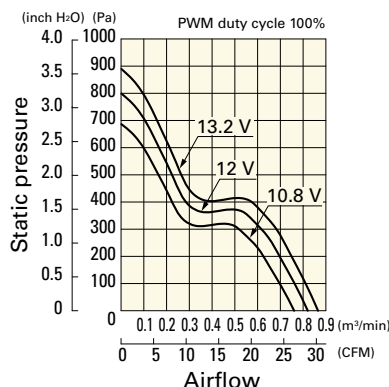
## Airflow - Static Pressure Characteristics / PWM Duty - Speed Characteristics Example

**9GA0412P3K01** With pulse sensor with PWM control function

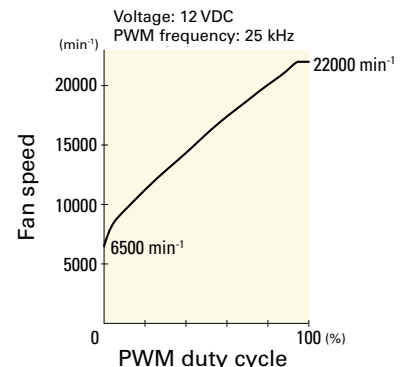
PWM duty cycle



Operating voltage range



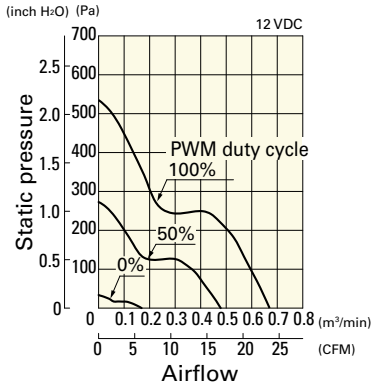
PWM duty - Speed characteristics example



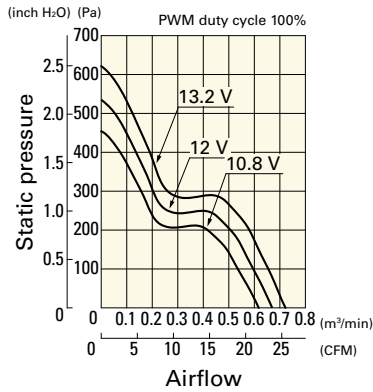
**Airflow - Static Pressure Characteristics / PWM Duty - Speed Characteristics Example**

**9GA0412P3J01** With pulse sensor with PWM control function

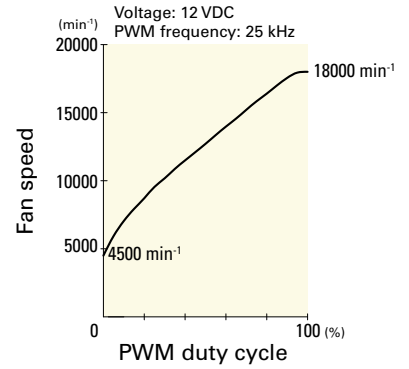
PWM duty cycle



Operating voltage range

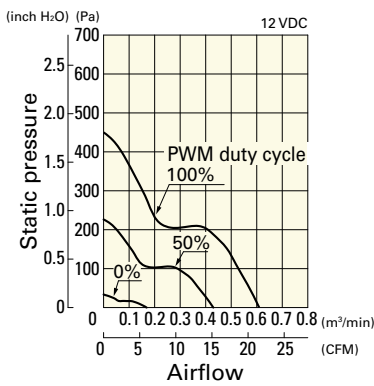


PWM duty - Speed characteristics example

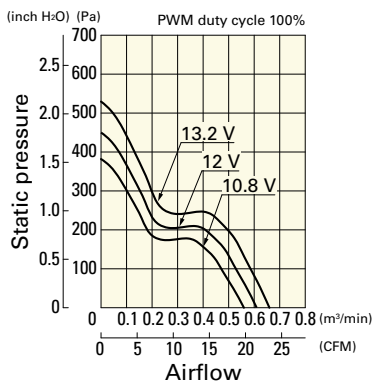


**9GA0412P3G01** With pulse sensor with PWM control function

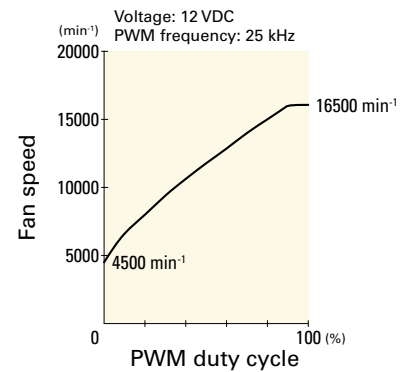
PWM duty cycle



Operating voltage range

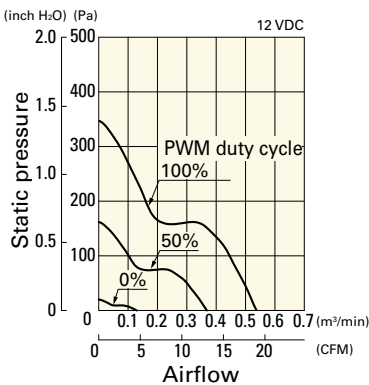


PWM duty - Speed characteristics example

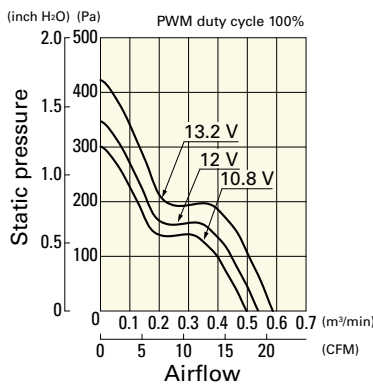


**9GA0412P3H01** With pulse sensor with PWM control function

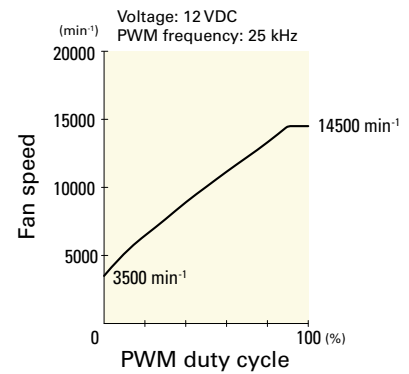
PWM duty cycle



Operating voltage range

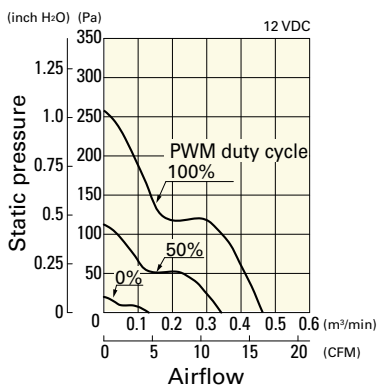


PWM duty - Speed characteristics example

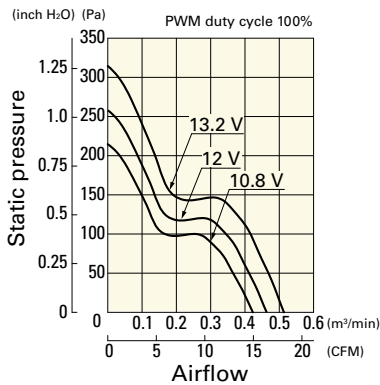


**9GA0412P3M01** With pulse sensor with PWM control function

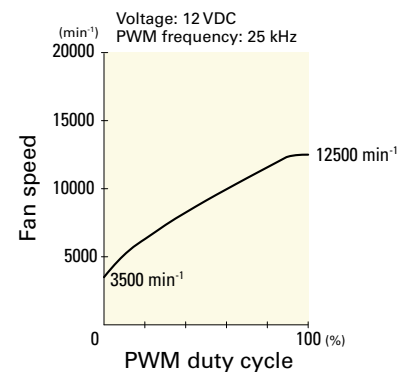
PWM duty cycle



Operating voltage range



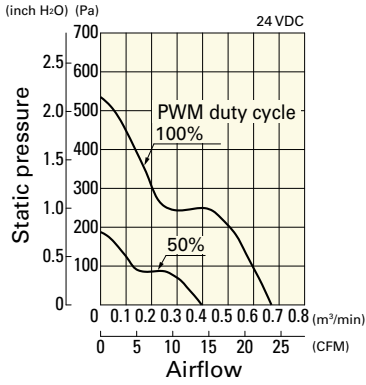
PWM duty - Speed characteristics example



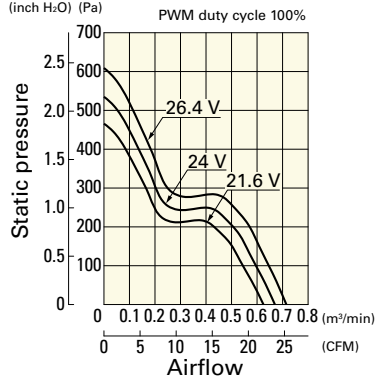
**Airflow - Static Pressure Characteristics / PWM Duty - Speed Characteristics Example**

**9GA0424P3J001** With pulse sensor with PWM control function

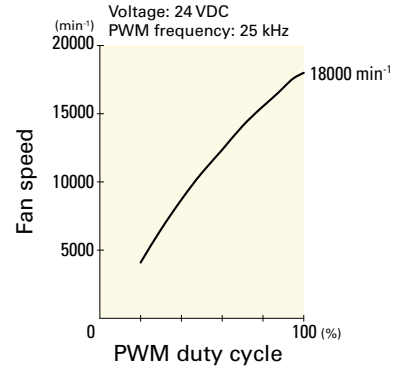
PWM duty cycle



Operating voltage range

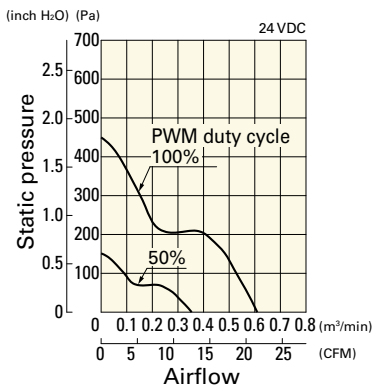


PWM duty - Speed characteristics example

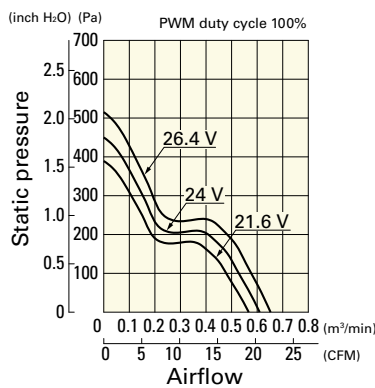


**9GA0424P3G001** With pulse sensor with PWM control function

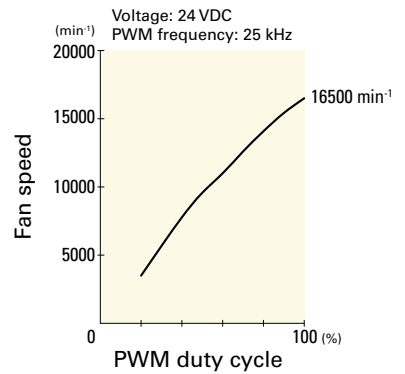
PWM duty cycle



Operating voltage range

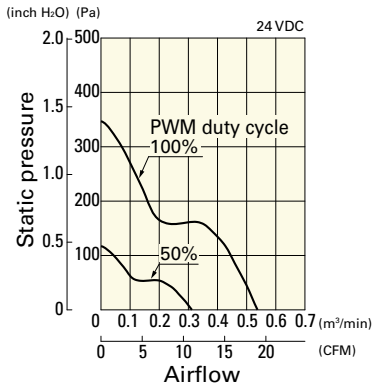


PWM duty - Speed characteristics example

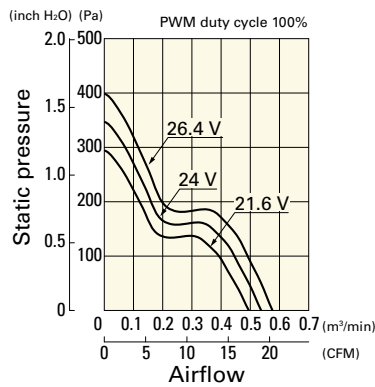


**9GA0424P3H001** With pulse sensor with PWM control function

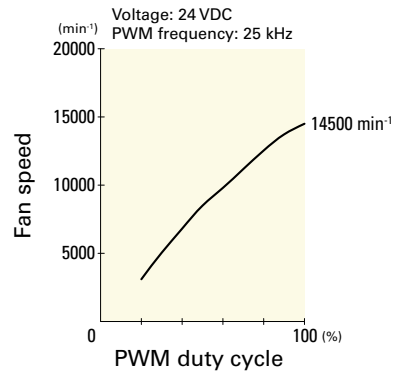
PWM duty cycle



Operating voltage range

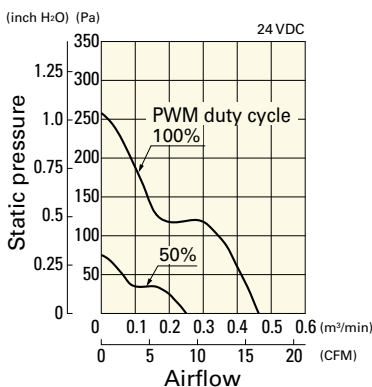


PWM duty - Speed characteristics example

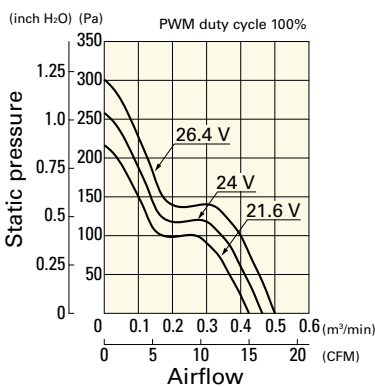


**9GA0424P3M001** With pulse sensor with PWM control function

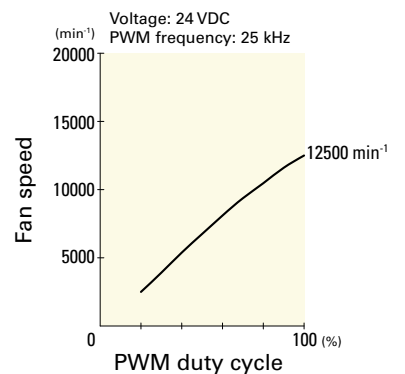
PWM duty cycle



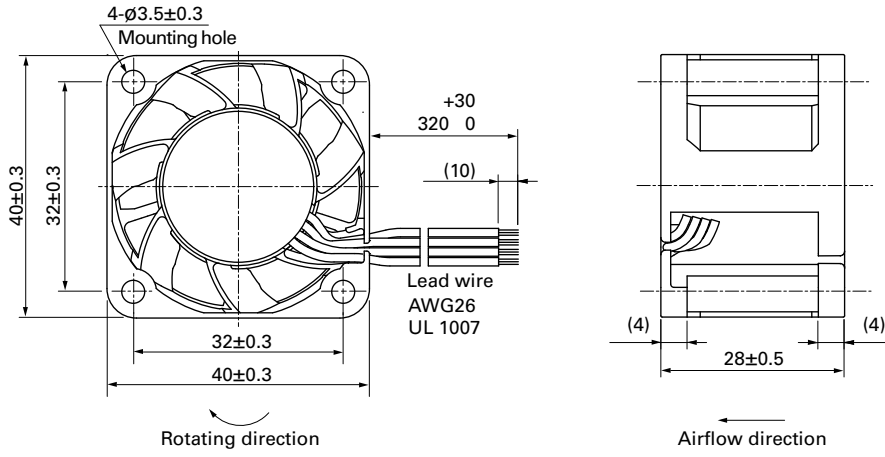
Operating voltage range



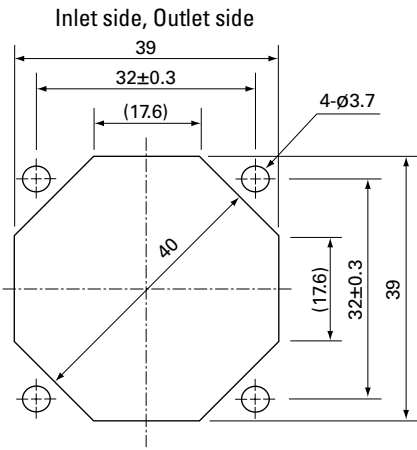
PWM duty - Speed characteristics example



**Dimensions (unit: mm)** (With ribs)



**Reference Dimensions of Mounting Holes and Vent Opening (unit: mm)**



**Options**

Finger guards

page: p. 558

Model no.: 109-059, 109-059H

DC Fan

# 40x40x28 mm

San Ace 40 9GE type



## General Specifications

- Material ..... Frame: Aluminum, Impeller: Plastic (Flammability: UL 94V-0)
- Expected life ..... See the table below. (L10 life: 90% survival rate for continuous operation in free air at 60°C, rated voltage)  
Expected life at 40°C is for reference only.
- Motor protection function ..... Locked rotor burnout protection, Reverse polarity protection  
For details, please refer to p. 573.
- Dielectric strength ..... 50/60 Hz, 500 VAC, for 1 minute (between lead wire conductors and frame)
- Insulation resistance ..... 10 MΩ or more with a 500 VDC megger (between lead wire conductors and frame)
- Sound pressure level (SPL) ..... At 1 m away from the air inlet
- Storage temperature ..... -30 to +70°C (Non-condensing)
- Lead wire ..... ⊕Red ⊖Black  Sensor  Yellow  Control  Brown
- Mass ..... 55 g

## Specifications

The models listed below **have pulse sensors with PWM control function.**

Model no.	Rated voltage [V]	Operating voltage range [V]	PWM duty cycle* [%]	Rated current [A]	Rated input [W]	Rated speed [min <sup>-1</sup> ]	Max. airflow [m <sup>3</sup> /min] [CFM]	Max. static pressure [Pa] [inchH <sub>2</sub> O]	SPL [dB (A)]	Operating temperature [°C]	Expected life [h]
9GE0412P3K03	12	10.8 to 13.2	100	0.84	10.08	16500	0.76 26.8	415 1.666	58	-20 to +60	40000/60°C (70000/40°C)
			0	0.07	0.84	3000	0.13 4.6	13 0.052	17		
9GE0412P3J03			100	0.65	7.8	15000	0.69 24.4	343.0 1.378	56		
			0	0.05	0.6	2650	0.12 4.2	10.7 0.042	14		
9GE0412P3G03			100	0.47	5.64	13000	0.6 21.2	260 1.044	52		
			0	0.05	0.6	2400	0.11 3.9	8.2 0.033	13		

\* PWM input frequency is 25 kHz; models without specifications at 0% PWM duty cycle have zero fan speed at 0%.

The following sensor and control options are available for selection.

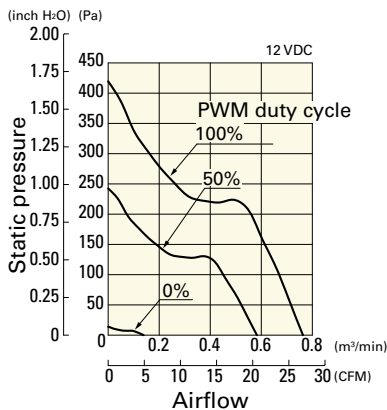
Available for all models. Lock sensor

Differs according to the model. Refer to the table on p. 605. Without sensor Pulse sensor

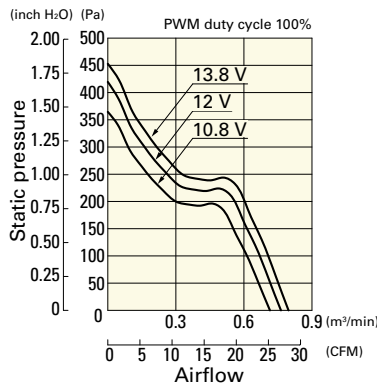
## Airflow - Static Pressure Characteristics / PWM Duty - Speed Characteristics Example

### 9GE0412P3K03 With pulse sensor with PWM control function

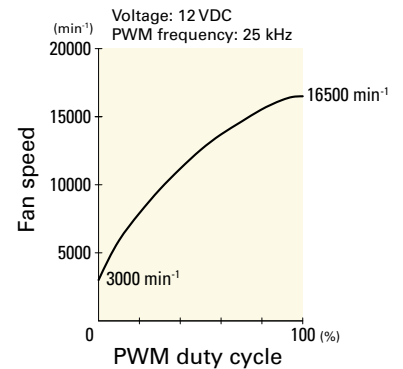
PWM duty cycle



Operating voltage range



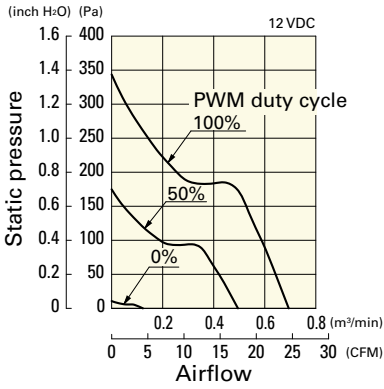
PWM duty - Speed characteristics example



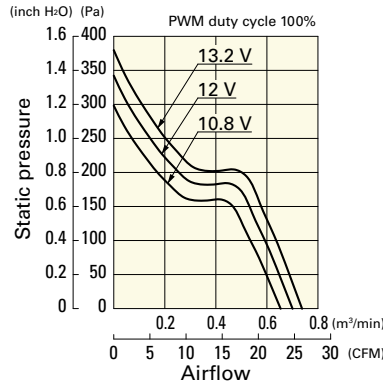
**Airflow - Static Pressure Characteristics / PWM Duty - Speed Characteristics Example**

**9GE0412P3J03** With pulse sensor with PWM control function

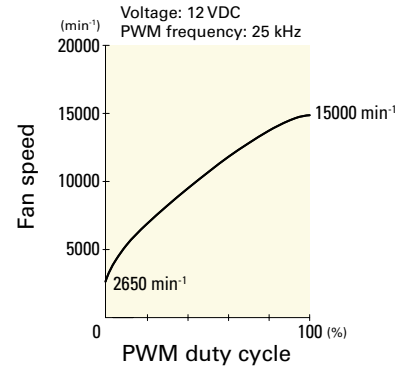
PWM duty cycle



Operating voltage range

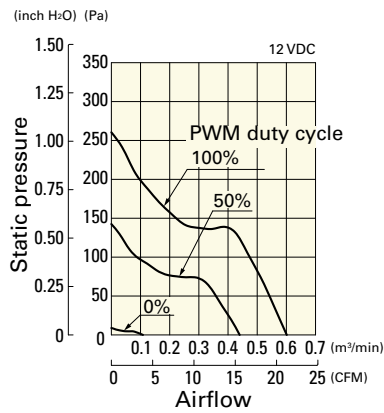


PWM duty - Speed characteristics example

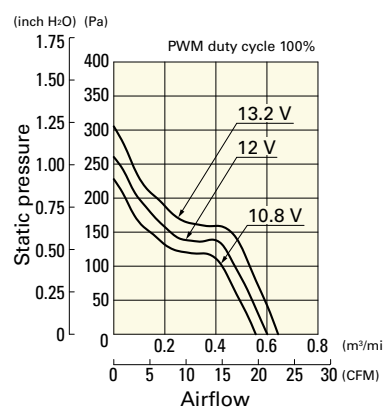


**9GE0412P3G03** With pulse sensor with PWM control function

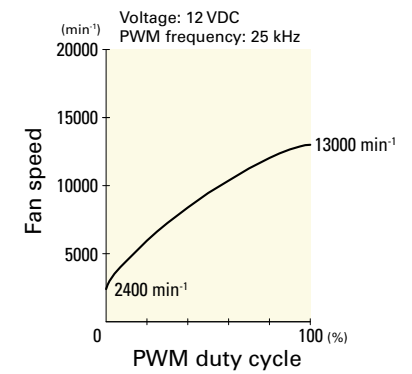
PWM duty cycle



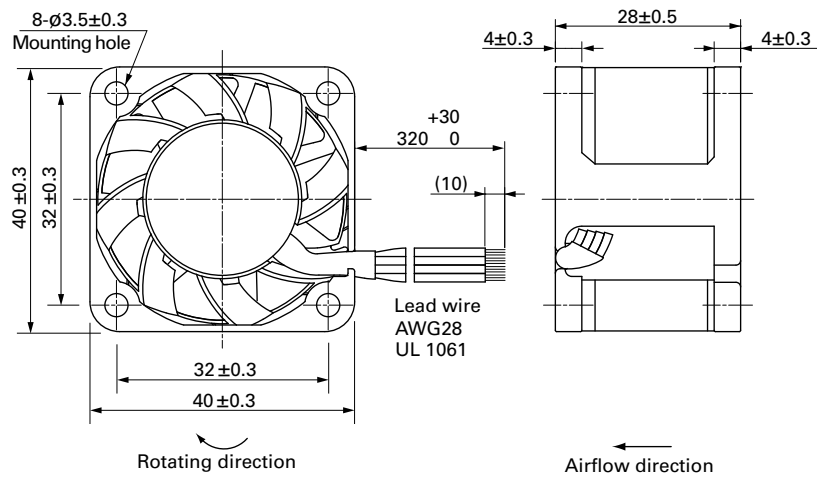
Operating voltage range

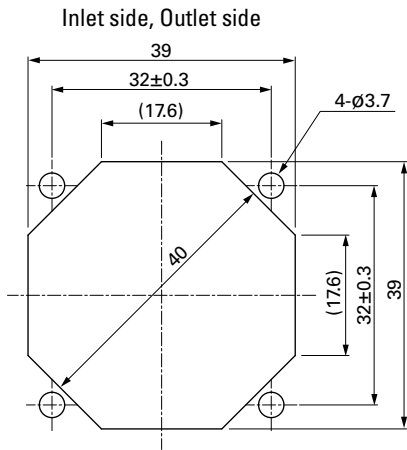


PWM duty - Speed characteristics example



**Dimensions (unit: mm)**



**Reference Dimensions of Mounting Holes and Vent Opening (unit: mm)****Options**

Finger guards

page: p. 558

Model no.: 109-059, 109-059H





# 40x40x28 mm

San Ace 40 9GV type

## General Specifications

- Material ..... Frame: Plastic (Flammability: UL 94V-0), Impeller: Plastic (Flammability: UL 94V-0)
- Expected life ..... See the table below. (L10 life: 90% survival rate for continuous operation in free air at 60°C, rated voltage)  
Expected life at 40°C is for reference only.
- Motor protection function ..... Locked rotor burnout protection, Reverse polarity protection  
For details, please refer to p. 573.
- Dielectric strength ..... 50/60 Hz, 500 VAC, for 1 minute (between lead wire conductors and frame)
- Insulation resistance ..... 10 MΩ or more with a 500 VDC megger (between lead wire conductors and frame)
- Sound pressure level (SPL) ..... At 1 m away from the air inlet
- Storage temperature ..... -20 to +70°C (Non-condensing)
- Lead wire ..... ⊕Red ⊖Black or Blue  Sensor Yellow
- Mass ..... 50 g

## Specifications

The models listed below **have ribs and pulse sensors**. For models without ribs, append "1" to the end of model numbers.

Model no.	Rated voltage [V]	Operating voltage range [V]	Rated current [A]	Rated input [W]	Rated speed [min <sup>-1</sup> ]	Max. airflow [m <sup>3</sup> /min] [CFM]	Max. static pressure [Pa] [inchH <sub>2</sub> O]	SPL [dB (A)]	Operating temperature [°C]	Expected life [h]
9GV0412K301	12	10.8 to 12.6	0.84	10.08	16500	0.76 26.8	415 1.668	58	-20 to +60	40000/60°C (70000/40°C)
9GV0412J301			0.6	7.2	14700	0.68 24.0	330 1.325	55		
9GV0412G301		7 to 13.2	0.47	5.64	13000	0.6 21.1	260 1.044	52		
9GV0412H301			0.31	3.72	11600	0.53 18.7	207 0.831	49		
9GV0412C301			0.15	1.8	8300	0.37 13.1	100 0.402	41	-20 to +70	

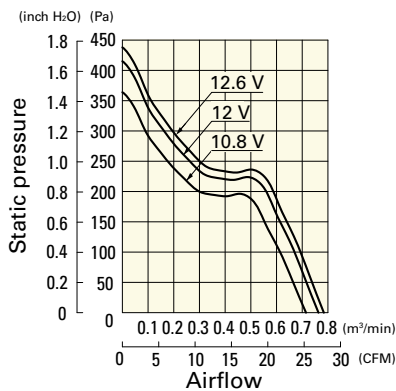
The following sensor and control options are available for selection.

Differs according to the model. Refer to the table on p. 606.  Without sensor  Lock sensor  PWM control

## Airflow - Static Pressure Characteristics

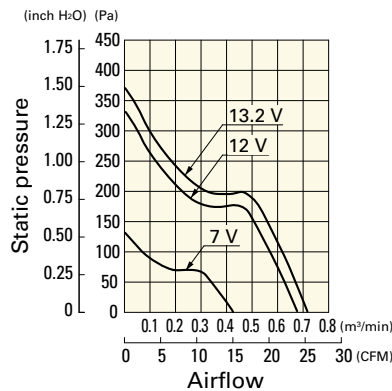
9GV0412K301 With pulse sensor

Operating voltage range



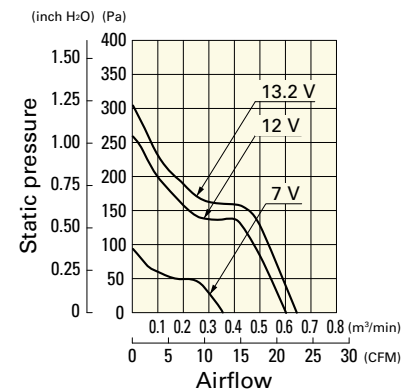
9GV0412J301 With pulse sensor

Operating voltage range



9GV0412G301 With pulse sensor

Operating voltage range



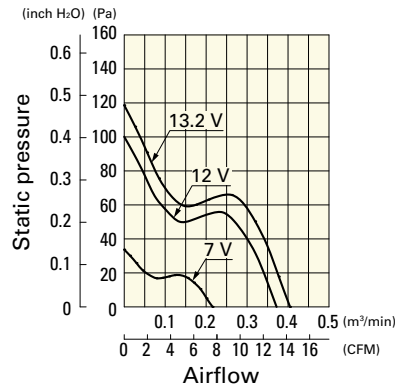
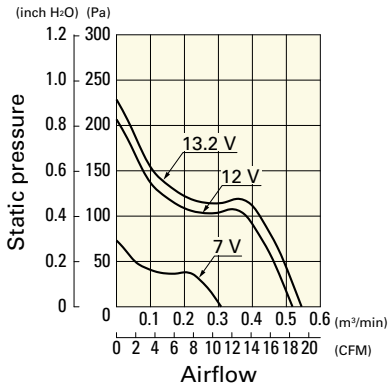
**Airflow - Static Pressure Characteristics**

**9GV0412H301** With pulse sensor

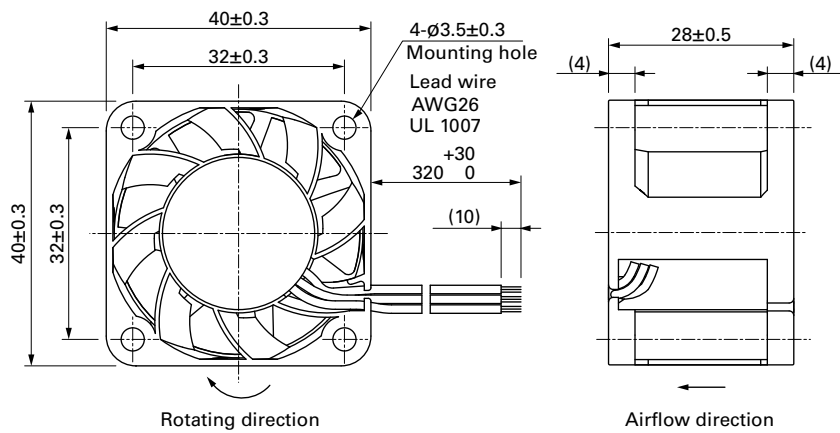
**9GV0412C301** With pulse sensor

Operating voltage range

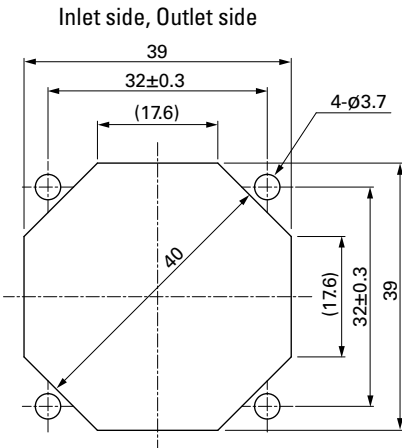
Operating voltage range



**Dimensions (unit: mm)** (With ribs)



**Reference Dimensions of Mounting Holes and Vent Opening (unit: mm)**



**Options**

Finger guards

page: p. 558

Model no.: 109-059, 109-059H

# 40x40x28 mm



San Ace 40 9P<sub>type</sub>

## General Specifications

- Material ..... Frame: Plastic (Flammability: UL 94V-0), Impeller: Plastic (Flammability: UL 94V-1)
- Expected life ..... See the table below. (L10 life: 90% survival rate for continuous operation in free air at 60°C, rated voltage)  
Expected life at 40°C is for reference only.
- Motor protection function ..... Locked rotor burnout protection, Reverse polarity protection  
For details, please refer to p. 573.
- Dielectric strength ..... 50/60 Hz, 500 VAC, for 1 minute (between lead wire conductors and frame)
- Insulation resistance ..... 10 MΩ or more with a 500 VDC megger (between lead wire conductors and frame)
- Sound pressure level (SPL) ..... At 1 m away from the air inlet
- Storage temperature ..... -30 to +70°C (Non-condensing)
- Lead wire ..... ⊕Red ⊖Black or Blue  Sensor  Yellow
- Mass ..... 52 g

## Specifications

The models listed below **have ribs and pulse sensors.**

Model no.	Rated voltage [V]	Operating voltage range [V]	Rated current [A]	Rated input [W]	Rated speed [min <sup>-1</sup> ]	Max. airflow [m <sup>3</sup> /min] [CFM]	Max. static pressure [Pa] [inchH <sub>2</sub> O]	SPL [dB (A)]	Operating temperature [°C]	Expected life [h]
109P0405H3013	5	4.5 to 5.5	0.68	3.4	8700	0.32 11.3	102.9 0.414	37	-20 to +70	40000/60°C (70000/40°C)
109P0405F3013			0.28	1.4	6700	0.244 8.6	58.8 0.236	30		60000/60°C (90000/40°C)
109P0412K3013	12	8 to 13.2	0.55	6.6	15500	0.59 20.8	340 1.365	50	-20 to +60	40000/60°C (70000/40°C)
109P0412J3013		7 to 13.2	0.35	4.2	12500	0.46 16.2	210 0.843	44		
109P0412G3013			0.31	3.72	11500	0.42 14.8	179 0.719	42		
109P0412B3013		7 to 13.8	0.28	3.36	10300	0.38 13.4	143 0.574	40		
109P0412H3013			0.195	2.34	8700	0.32 11.3	102.9 0.414	37		
109P0412F3013		10.2 to 13.8	-20 to +70	0.105	1.26	6700	0.244 8.6	58.8 0.236	30	60000/60°C (90000/40°C)
109P0412M3013				0.045	0.54	4100	0.15 5.3	21.6 0.087	20	
109P0424R3013		24	12 to 26.4	0.25	6	14000	0.51 18.0	263.4 1.057	47	-20 to +60
109P0424J3013	0.18			4.32	12500	0.46 16.2	210 0.843	44		
109P0424G3013	0.19			4.56	11500	0.42 14.8	179 0.719	42		
109P0424B3013	0.13			3.12	10300	0.38 13.4	143 0.574	40		
109P0424H3013	12 to 27.6		-20 to +70	0.095	2.28	8700	0.32 11.3	102.9 0.414	37	60000/60°C (90000/40°C)
109P0424F3013	14 to 27.6			0.055	1.32	6700	0.244 8.6	58.8 0.236	30	

The following sensor and control options are available for selection.

Available for all models.  Without sensor

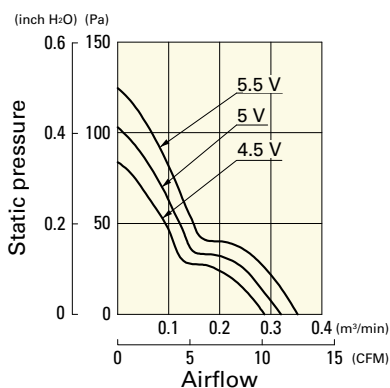
Differs according to the model. Refer to the table on pp. 595 to 596.  Lock sensor  PWM control

The mark indicates Short LeadTime Service applicable models. See p. 626 for details.

## Airflow - Static Pressure Characteristics

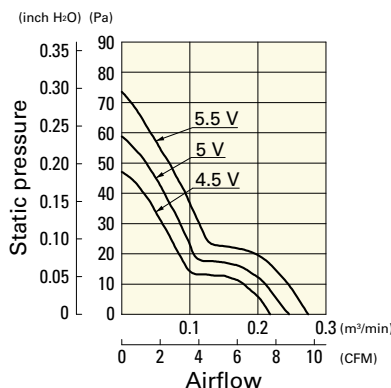
109P0405H3013 With pulse sensor

Operating voltage range



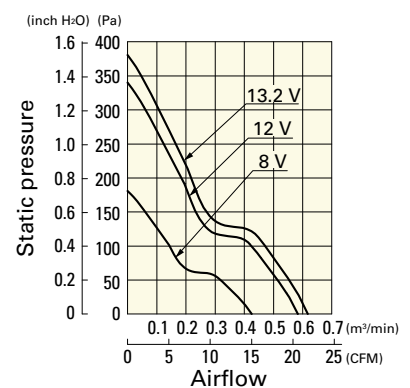
109P0405F3013 With pulse sensor

Operating voltage range



109P0412K3013 With pulse sensor

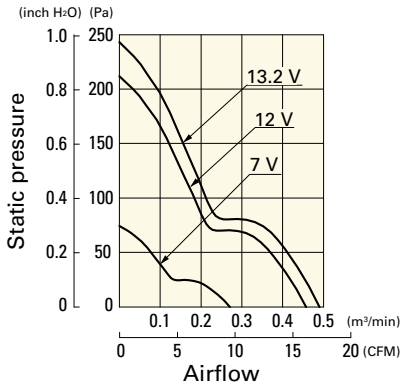
Operating voltage range



**Airflow - Static Pressure Characteristics**

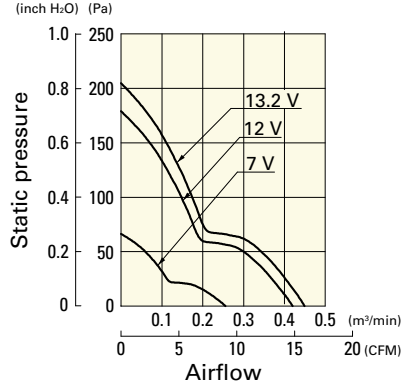
**109P0412J3013** With pulse sensor

Operating voltage range



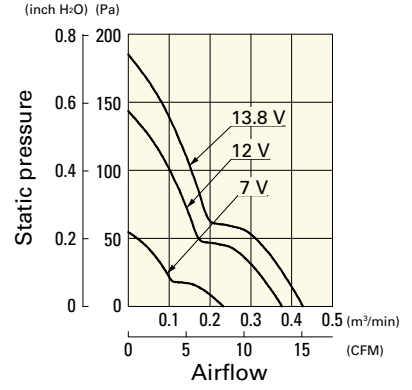
**109P0412G3013** With pulse sensor

Operating voltage range



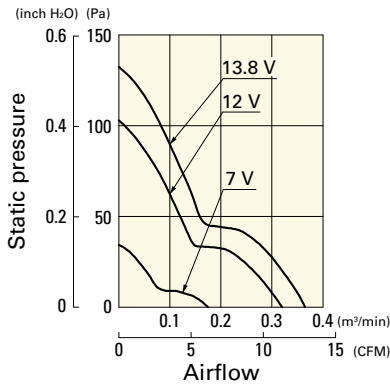
**109P0412B3013** With pulse sensor

Operating voltage range



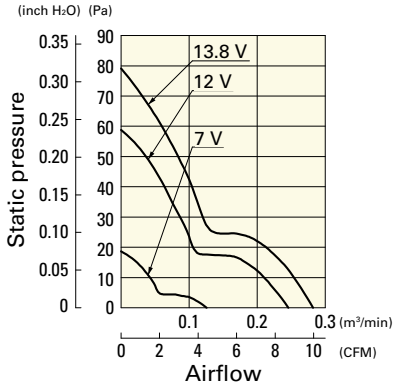
**109P0412H3013** With pulse sensor

Operating voltage range



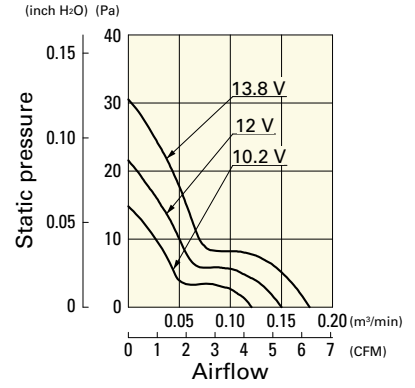
**109P0412F3013** With pulse sensor

Operating voltage range



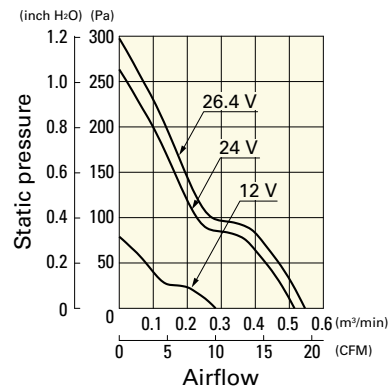
**109P0412M3013** With pulse sensor

Operating voltage range



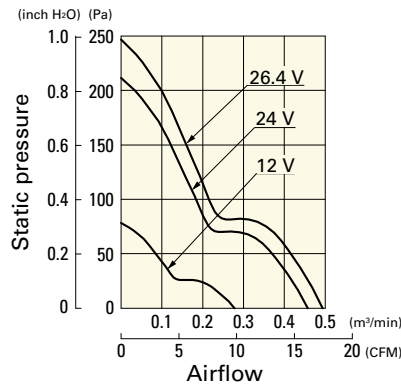
**109P0424R3013** With pulse sensor

Operating voltage range



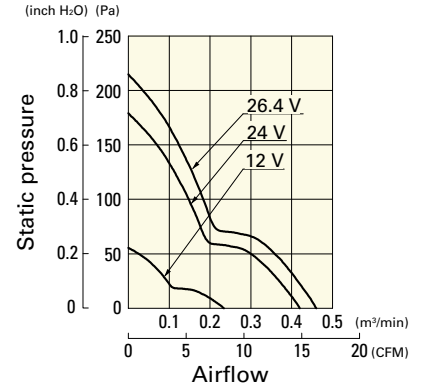
**109P0424J3013** With pulse sensor

Operating voltage range



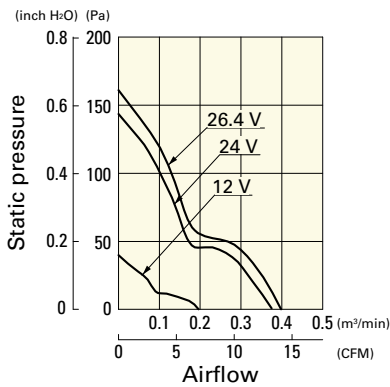
**109P0424G3013** With pulse sensor

Operating voltage range



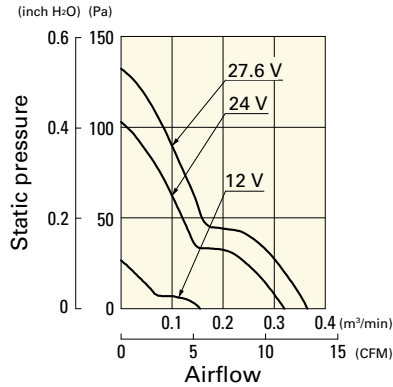
**109P0424B3013** With pulse sensor

Operating voltage range



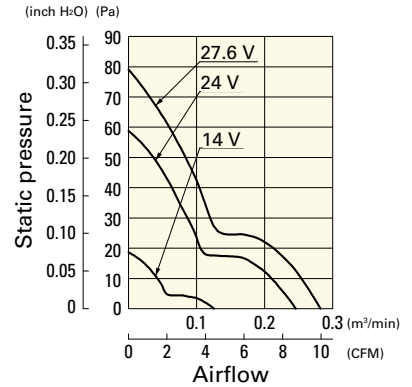
**109P0424H3013** With pulse sensor

Operating voltage range

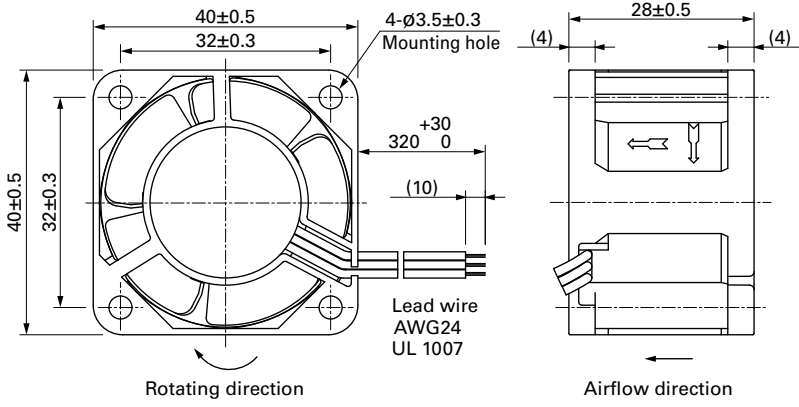


**109P0424F3013** With pulse sensor

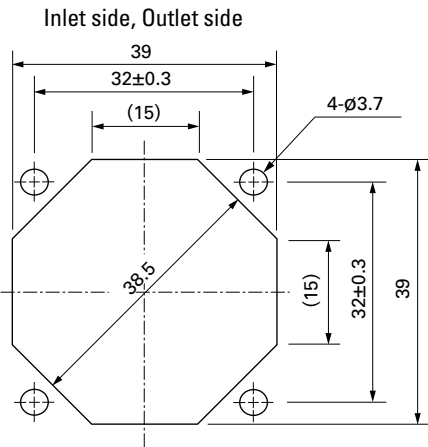
Operating voltage range



**Dimensions (unit: mm)**



**Reference Dimensions of Mounting Holes and Vent Opening (unit: mm)**



**Options**

Finger guards

page: p. 558

Model no.: 109-059, 109-059H

DC Fan



# 52x52x15 mm

**San Ace 52 9GA type** Low Power Consumption Fan

## General Specifications

- Material ..... Frame: Plastic (Flammability: UL 94V-0), Impeller: Plastic (Flammability: UL 94V-0)
- Expected life ..... See the table below. (L10 life: 90% survival rate for continuous operation in free air at 60°C, rated voltage)  
Expected life at 40°C is for reference only.
- Motor protection function ..... Locked rotor burnout protection, Reverse polarity protection  
For details, please refer to p. 573.
- Dielectric strength ..... 50/60 Hz, 500 VAC, for 1 minute (between lead wire conductors and frame)
- Insulation resistance ..... 10 MΩ or more with a 500 VDC megger (between lead wire conductors and frame)
- Sound pressure level (SPL) ..... At 1 m away from the air inlet
- Storage temperature ..... -30 to +70°C (Non-condensing)
- Lead wire ..... ⊕Red ⊖Black Sensor Yellow Control Brown
- Mass ..... 40 g

## Specifications

The models listed below **have ribs and pulse sensors with PWM control function.**

Model no.	Rated voltage [V]	Operating voltage range [V]	PWM duty cycle [%]	Rated current [A]	Rated input [W]	Rated speed [min <sup>-1</sup> ]	Max. airflow [m <sup>3</sup> /min] [CFM]	Max. static pressure [Pa] [inchH <sub>2</sub> O]	SPL [dB (A)]	Operating temperature [°C]	Expected life [h]
» 9GA0512P7G001	12	10.2 to 13.8	100	0.13	1.56	7800	0.5 17.7	91.5 0.367	38	-20 to +70	40000/60°C (70000/40°C)
» 9GA0512P7A001			100	0.08	0.96	6300	0.4 14.1	59 0.237	32		
» 9GA0512P7H001			100	0.05	0.6	4300	0.275 9.7	27.5 0.11	22		
» 9GA0512P7M001			100	0.04	0.48	3400	0.215 7.6	17 0.068	16		
» 9GA0524P7G001	24	20.4 to 27.6	100	0.07	1.68	7800	0.5 17.7	91.5 0.367	38		
» 9GA0524P7A001			100	0.05	1.2	6300	0.4 14.1	59.0 0.237	32		
» 9GA0524P7H001			100	0.03	0.72	4300	0.275 9.7	27.5 0.11	22		
» 9GA0524P7M001			100	0.02	0.48	3400	0.215 7.6	17.0 0.068	16		

\* PWM input frequency is 25 kHz; models without specifications at 0% PWM duty cycle have zero fan speed at 0%.

The following sensor and control options are available for selection.

Available for all models. Without sensor Pulse sensor

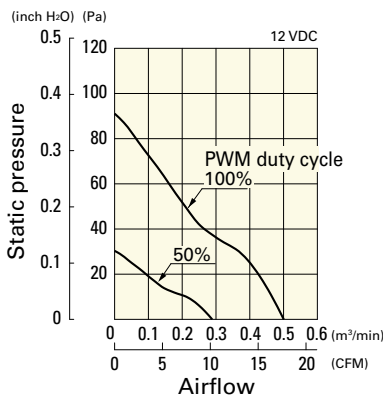
Differs according to the model. Refer to the table on pp. 602 to 603. Lock sensor

The » mark indicates Short Lead Time Service applicable models. See p. 626 for details.

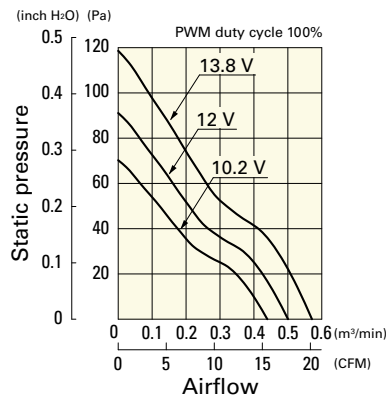
## Airflow - Static Pressure Characteristics / PWM Duty - Speed Characteristics Example

**9GA0512P7G001** With pulse sensor with PWM control function

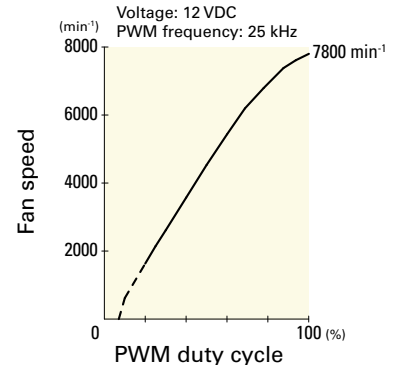
PWM duty cycle



Operating voltage range



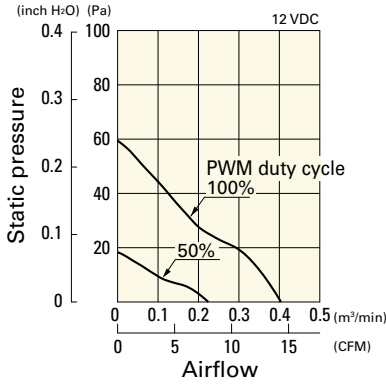
PWM duty - Speed characteristics example



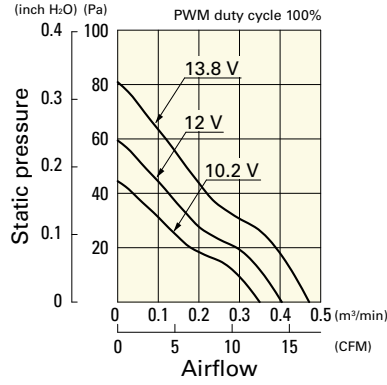
**Airflow - Static Pressure Characteristics / PWM Duty - Speed Characteristics Example**

**9GA0512P7A001** With pulse sensor with PWM control function

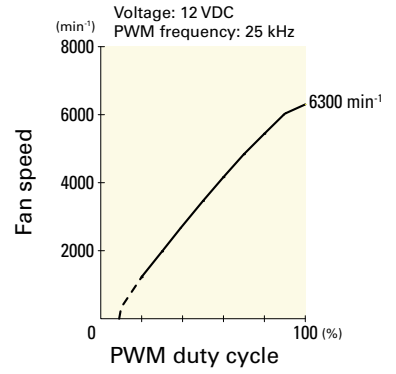
PWM duty cycle



Operating voltage range

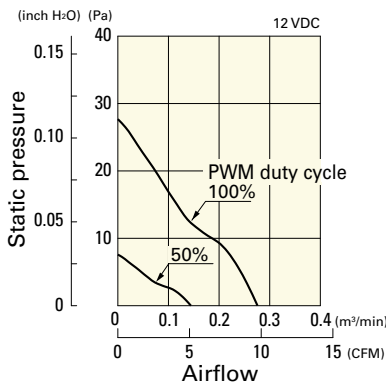


PWM duty - Speed characteristics example

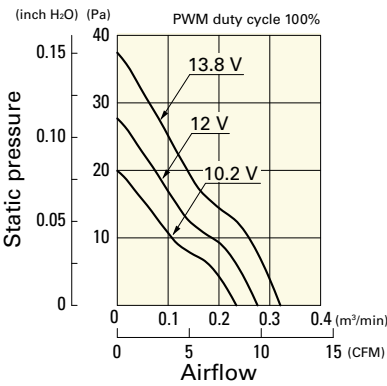


**9GA0512P7H001** With pulse sensor with PWM control function

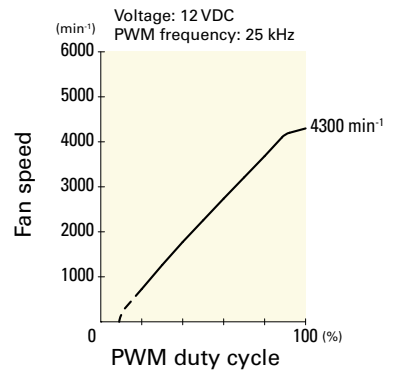
PWM duty cycle



Operating voltage range

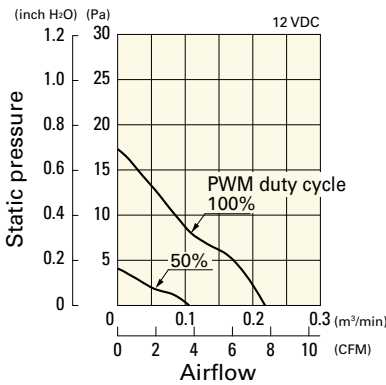


PWM duty - Speed characteristics example

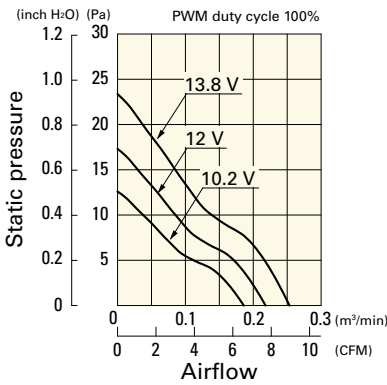


**9GA0512P7M001** With pulse sensor with PWM control function

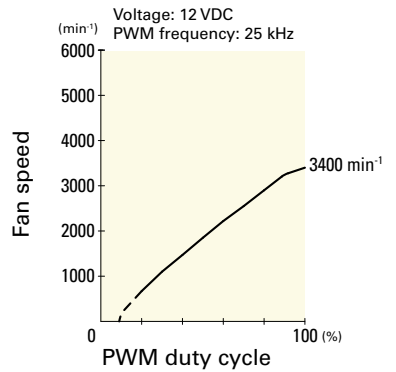
PWM duty cycle



Operating voltage range

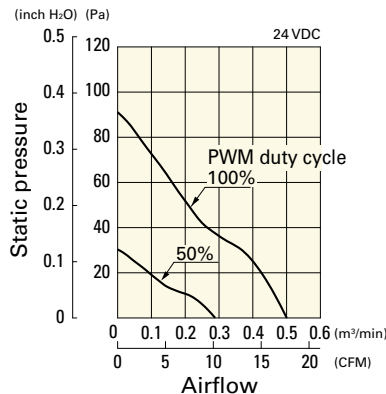


PWM duty - Speed characteristics example

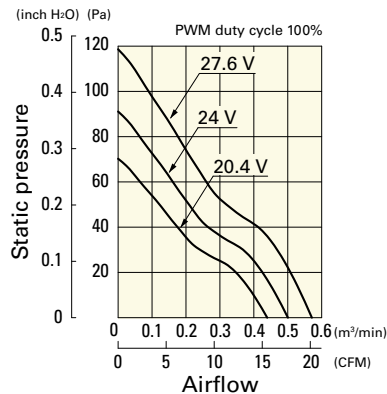


**9GA0524P7G001** With pulse sensor with PWM control function

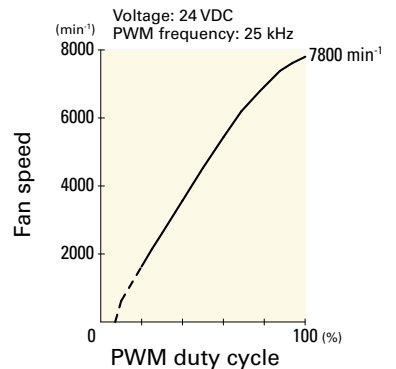
PWM duty cycle



Operating voltage range



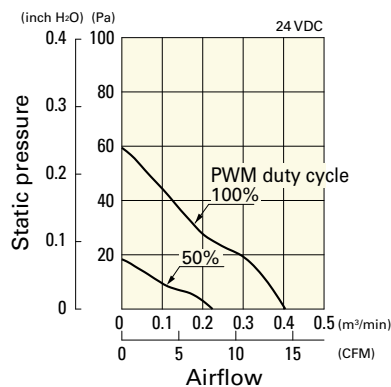
PWM duty - Speed characteristics example



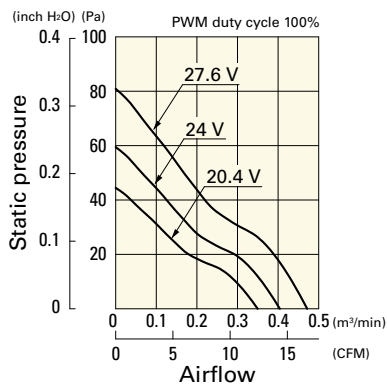
**Airflow - Static Pressure Characteristics / PWM Duty - Speed Characteristics Example**

**9GA0524P7A001** With pulse sensor with PWM control function

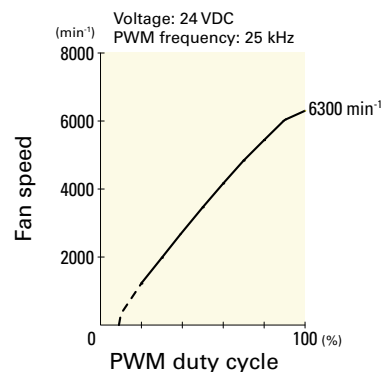
PWM duty cycle



Operating voltage range

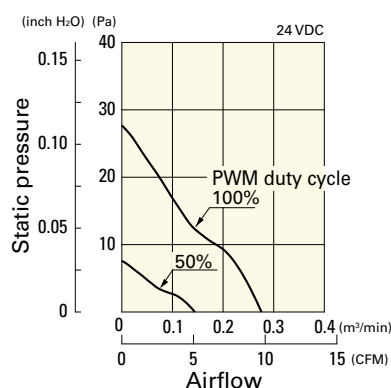


PWM duty - Speed characteristics example

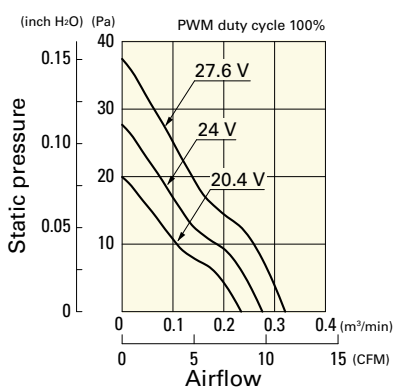


**9GA0524P7H001** With pulse sensor with PWM control function

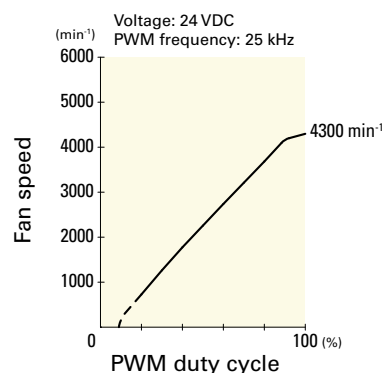
PWM duty cycle



Operating voltage range

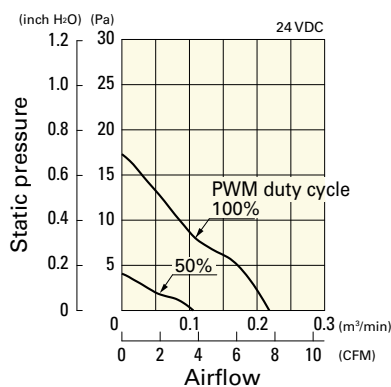


PWM duty - Speed characteristics example

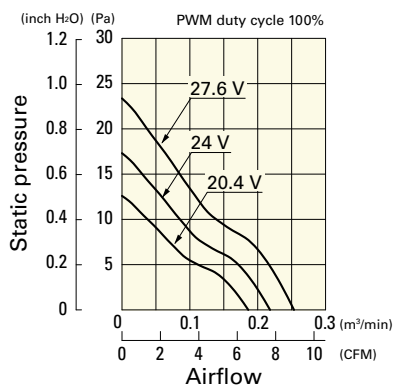


**9GA0524P7M001** With pulse sensor with PWM control function

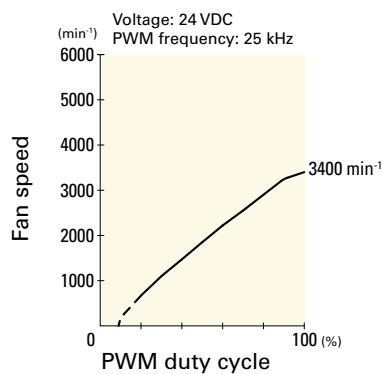
PWM duty cycle



Operating voltage range

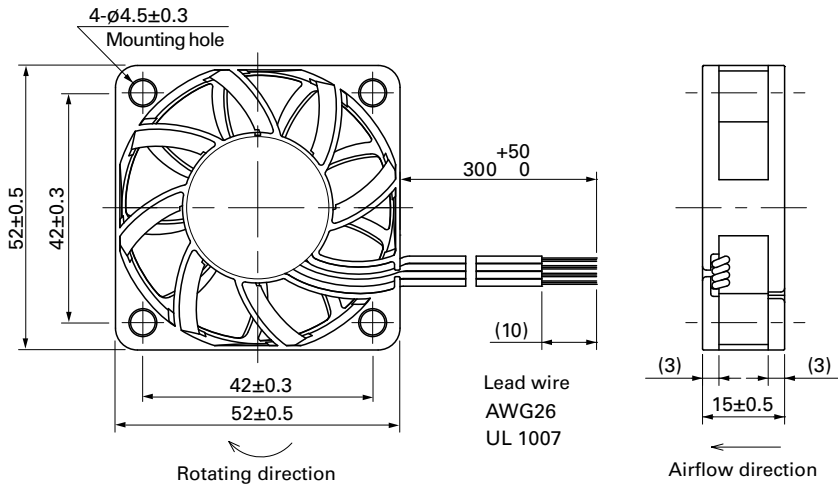


PWM duty - Speed characteristics example

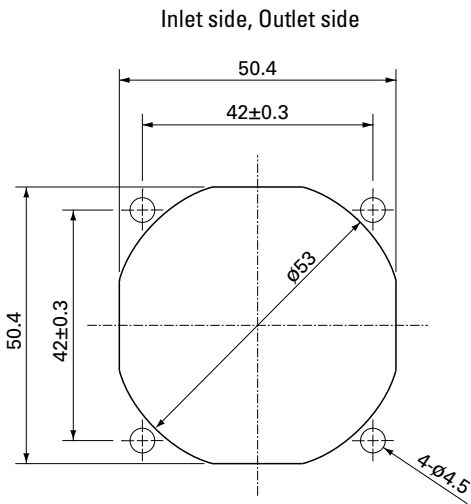




**Dimensions (unit: mm)**



**Reference Dimensions of Mounting Holes and Vent Opening (unit: mm)**



**Options**

Finger guards

page: p. 558

Model no.: 109-149E, 109-149

DC Fan

# 52x52x15 mm

San Ace 52 9P<sub>type</sub>   



## General Specifications

- Material ..... Frame: Plastic (Flammability: UL 94V-0), Impeller: Plastic (Flammability: UL 94V-1)
- Expected life ..... See the table below. (L10 life: 90% survival rate for continuous operation in free air at 60°C, rated voltage)  
Expected life at 40°C is for reference only.
- Motor protection function ..... Locked rotor burnout protection, Reverse polarity protection  
For details, please refer to p. 573.
- Dielectric strength ..... 50/60 Hz, 500 VAC, for 1 minute (between lead wire conductors and frame)
- Insulation resistance ..... 10 MΩ or more with a 500 VDC megger (between lead wire conductors and frame)
- Sound pressure level (SPL) ..... At 1 m away from the air inlet
- Storage temperature ..... -30 to +70°C (Non-condensing)
- Lead wire ..... ⊕Red ⊖Black or Blue Sensor Yellow
- Mass ..... 55 g

## Specifications

The models listed below **have ribs and pulse sensors.**

Model no.	Rated voltage [V]	Operating voltage range [V]	Rated current [A]	Rated input [W]	Rated speed [min <sup>-1</sup> ]	Max. airflow [m <sup>3</sup> /min] [CFM]	Max. static pressure [Pa] [inchH <sub>2</sub> O]	SPL [dB (A)]	Operating temperature [°C]	Expected life [h]
➤ <b>109P0505M701</b>	5	4.5 to 5.5	0.15	0.75	3700	0.205 7.24	21.4 0.086	22	-20 to +70	60000/60°C (90000/40°C)

The following sensor and control options are available for selection.

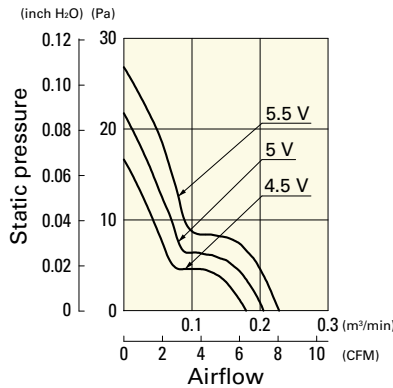
Available for all models. Without sensor Lock sensor

The ➤ mark indicates Short LeadTime Service applicable models. See p. 626 for details.

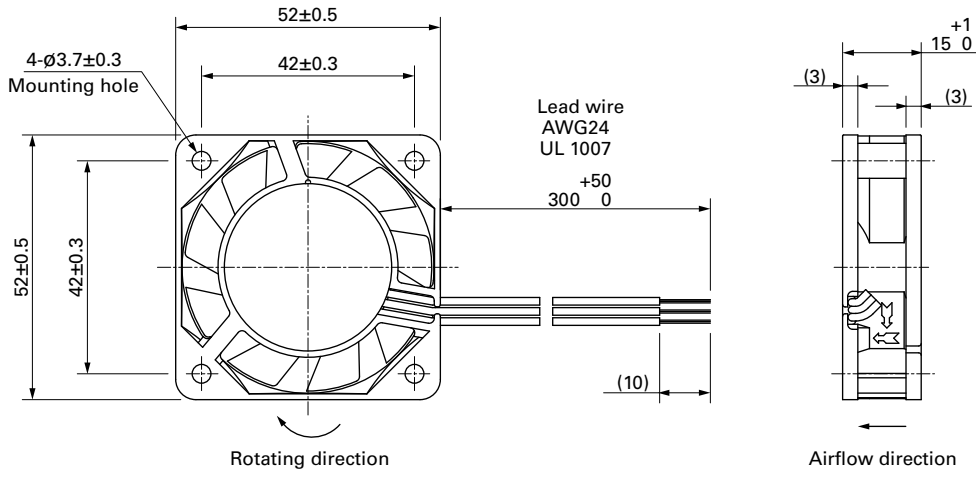
## Airflow - Static Pressure Characteristics

**109P0505M701** With pulse sensor

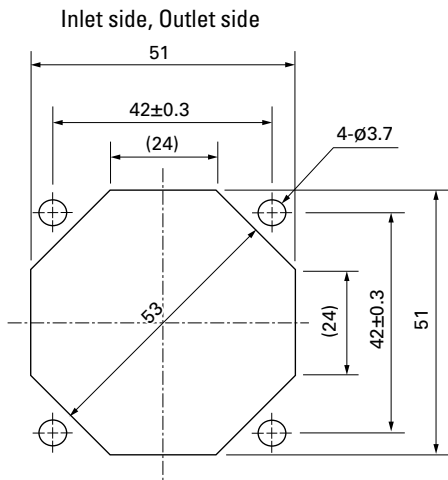
Operating voltage range



**Dimensions (unit: mm)**



**Reference Dimensions of Mounting Holes and Vent Opening (unit: mm)**



**Options**

Finger guards

page: p. 558

Model no.: 109-149E, 109-149



# 60×60×10 mm

**San Ace 60 9GA type** Low Power Consumption Fan

## General Specifications

- Material ..... Frame: Plastic (Flammability: UL 94V-0), Impeller: Plastic (Flammability: UL 94V-0)
- Expected life ..... See the table below. (L10 life: 90% survival rate for continuous operation in free air at 60°C, rated voltage)  
Expected life at 40°C is for reference only.
- Motor protection function ..... Locked rotor burnout protection, Reverse polarity protection  
For details, please refer to p. 573.
- Dielectric strength ..... 50/60 Hz, 500 VAC, for 1 minute (between lead wire conductors and frame)
- Insulation resistance ..... 10 MΩ or more with a 500 VDC megger (between lead wire conductors and frame)
- Sound pressure level (SPL) ..... At 1 m away from the air inlet
- Storage temperature ..... -30 to +70°C (Non-condensing)
- Lead wire ..... ⊕Red ⊖Black Sensor Yellow
- Mass ..... 35 g

## Specifications

The models listed below **have ribs and pulse sensors.**

Model no.	Rated voltage [V]	Operating voltage range [V]	Rated current [A]	Rated input [W]	Rated speed [min <sup>-1</sup> ]	Max. airflow [m <sup>3</sup> /min] [CFM]	Max. static pressure [Pa] [inchH <sub>2</sub> O]	SPL [dB (A)]	Operating temperature [°C]	Expected life [h]
9GA0612G9001	12	7.0 to 13.2	0.27	3.24	6200	0.62 21.9	66 0.26	43	-20 to +60	40000/60°C (70000/40°C)
9GA0612H9001		7.0 to 13.8	0.14	1.68	5000	0.5 17.6	42.9 0.17	37	-20 to +70	
9GA0612L9001			0.03	0.36	2300	0.23 8.1	9.1 0.037	17	-10 to +70	

The following sensor and control options are available for selection.

Available for all models. **Without sensor** **Lock sensor**

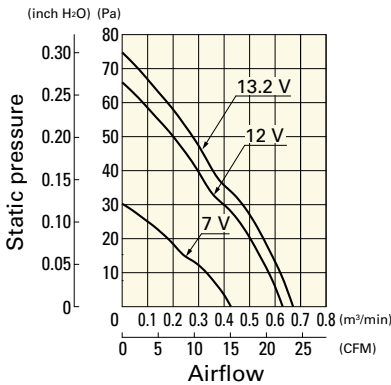
Differs according to the model. Refer to the table on p. 603. **PWM control**

The mark indicates Short LeadTime Service applicable models. See p. 626 for details.

## Airflow - Static Pressure Characteristics

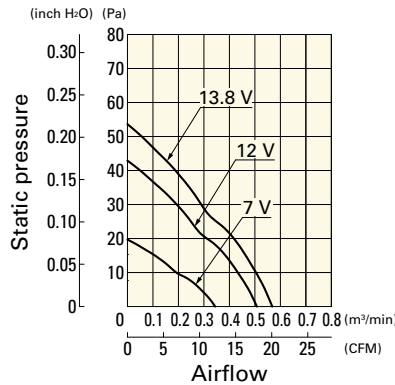
**9GA0612G9001** With pulse sensor

Operating voltage range



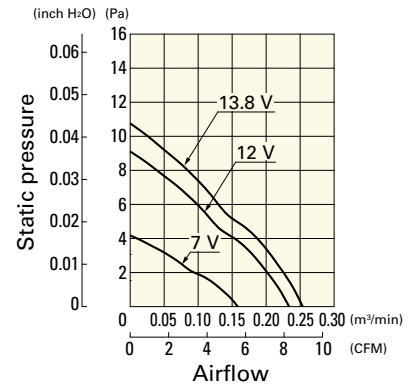
**9GA0612H9001** With pulse sensor

Operating voltage range

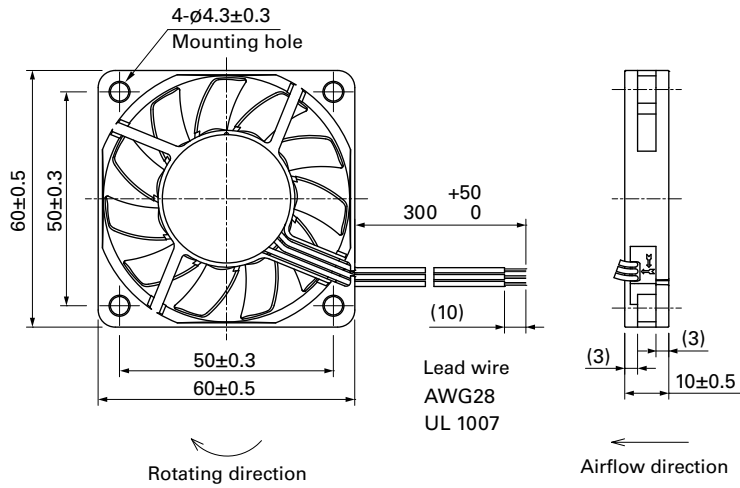


**9GA0612L9001** With pulse sensor

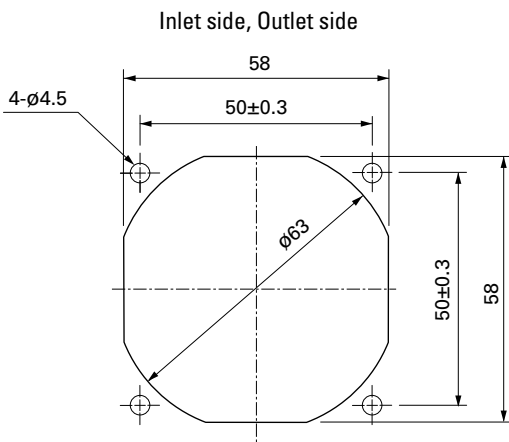
Operating voltage range



**Dimensions (unit: mm)**



**Reference Dimensions of Mounting Holes and Vent Opening (unit: mm)**



**Options**

Finger guards

page: p. 558

Model no.: 109-139E, 109-139H

Resin finger guards

page: p. 565

Model no.: 109-1003G

Resin filter kits

page: p. 566

Model no.: 109-1003F13 (13PPI), 109-1003F20 (20PPI),  
109-1003F30 (30PPI), 109-1003F40 (40PPI)



# 60×60×15 mm

**San Ace 60 9GA** type Low Power Consumption Fan

## General Specifications

- Material ..... Frame: Plastic (Flammability: UL 94V-0), Impeller: Plastic (Flammability: UL 94V-0)
- Expected life ..... See the table below. (L10 life: 90% survival rate for continuous operation in free air at 60°C, rated voltage)  
Expected life at 40°C is for reference only.
- Motor protection function ..... Locked rotor burnout protection, Reverse polarity protection  
For details, please refer to p. 573.
- Dielectric strength ..... 50/60 Hz, 500 VAC, for 1 minute (between lead wire conductors and frame)
- Insulation resistance ..... 10 MΩ or more with a 500 VDC megger (between lead wire conductors and frame)
- Sound pressure level (SPL) ..... At 1 m away from the air inlet
- Storage temperature ..... -30 to +70°C (Non-condensing)
- Lead wire ..... ⊕Red ⊖Black (Sensor) Yellow (Control) Brown  
(For models without PWM control function, there is no speed control wiring.)
- Mass ..... 50 g

## Specifications

The models listed below **have ribs and pulse sensors with PWM control function.**

Model no.	Rated voltage [V]	Operating voltage range [V]	PWM duty cycle [%]	Rated current [A]	Rated input [W]	Rated speed [min <sup>-1</sup> ]	Max. airflow [m <sup>3</sup> /min] [CFM]	Max. static pressure [Pa] [inchH <sub>2</sub> O]	SPL [dB (A)]	Operating temperature [°C]	Expected life [h]
» 9GA0612P7G01	12	10.2 to 13.8	100	0.16	1.92	5900	0.68 24	80 0.32	38	-20 to +70	40000/60°C (70000/40°C)
			0	0.05	0.6	1500	0.17 6.0	5.2 0.02	10		
» 9GA0612P7H01			100	0.1	1.2	4900	0.56 19.7	55.6 0.223	34		
			0	0.03	0.36	1300	0.15 5.3	3.9 0.015	8		
» 9GA0624P7G01	24	20.4 to 27.6	100	0.08	1.92	5900	0.68 24.0	80 0.32	38		

\* PWM input frequency is 25 kHz; models without specifications at 0% PWM duty cycle have zero fan speed at 0%.

The following sensor and control options are available for selection.

Available for all models. **Without sensor**

Differs according to the model. Refer to the table on p. 603. **Pulse sensor** **Lock sensor**

The models listed below **have ribs and pulse sensors.**

Model no.	Rated voltage [V]	Operating voltage range [V]	Rated current [A]	Rated input [W]	Rated speed [min <sup>-1</sup> ]	Max. airflow [m <sup>3</sup> /min] [CFM]	Max. static pressure [Pa] [inchH <sub>2</sub> O]	SPL [dB (A)]	Operating temperature [°C]	Expected life [h]
» 9GA0612G701	12	6 to 13.8	0.16	1.92	5900	0.68 24	80 0.32	38	-20 to +70	40000/60°C (70000/40°C)
» 9GA0612H701			0.1	1.2	4900	0.56 19.7	55.6 0.223	34		
» 9GA0612M701			0.08	0.96	3900	0.45 15.9	35.3 0.142	28		
» 9GA0612L701			0.03	0.36	2800	0.31 10.9	18 0.072	17		
» 9GA0624M701	24	12 to 27.6	0.05	1.2	3900	0.45 15.9	35.3 0.142	28		40000/60°C (70000/40°C)

The following sensor and control options are available for selection.

Available for all models. **Without sensor**

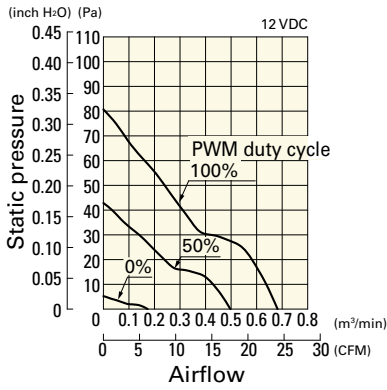
Differs according to the model. Refer to the table on p. 603. **Lock sensor** **PWM control**

The » mark indicates Short Lead Time Service applicable models. See p. 626 for details.

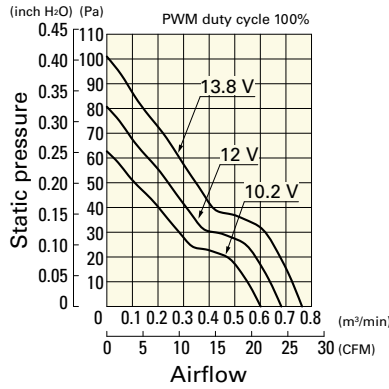
**Airflow - Static Pressure Characteristics / PWM Duty - Speed Characteristics Example**

**9GA0612P7G01** With pulse sensor with PWM control function

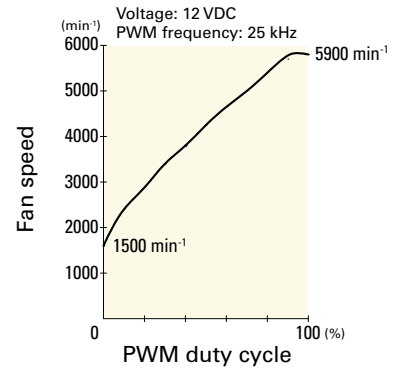
PWM duty cycle



Operating voltage range

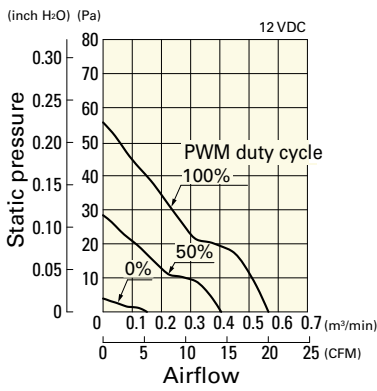


PWM duty - Speed characteristics example

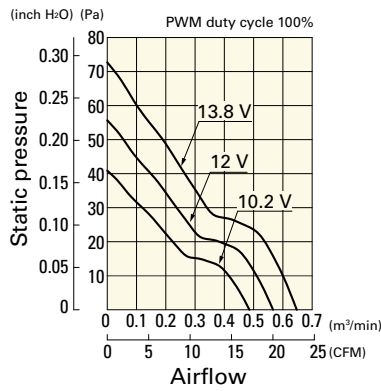


**9GA0612P7H01** With pulse sensor with PWM control function

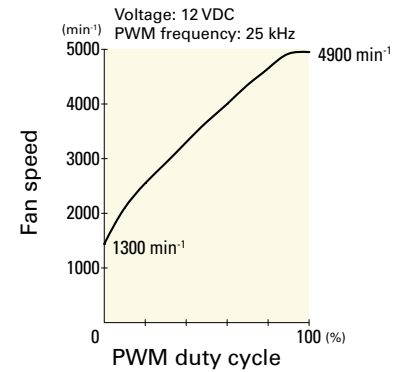
PWM duty cycle



Operating voltage range

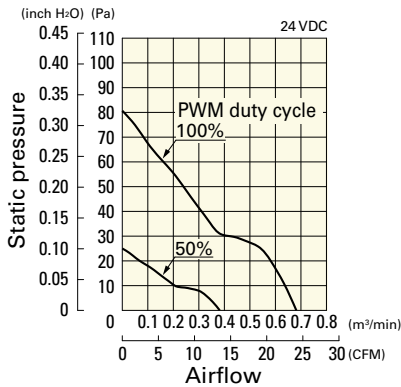


PWM duty - Speed characteristics example

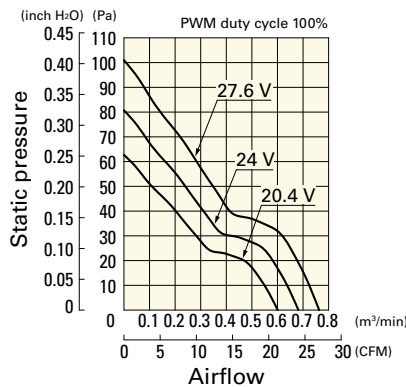


**9GA0624P7G01** With pulse sensor with PWM control function

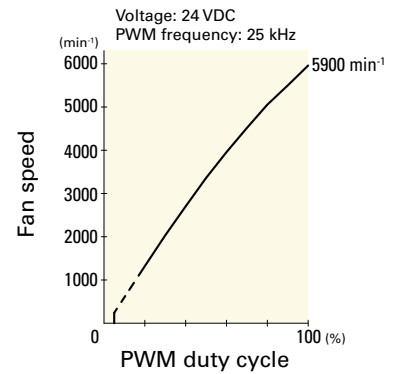
PWM duty cycle



Operating voltage range



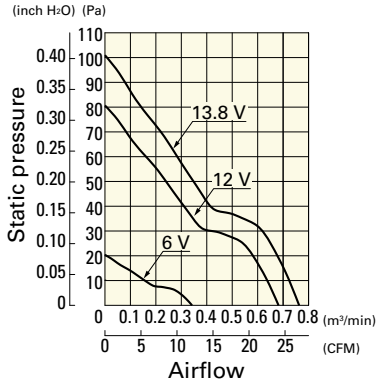
PWM duty - Speed characteristics example



**Airflow - Static Pressure Characteristics**

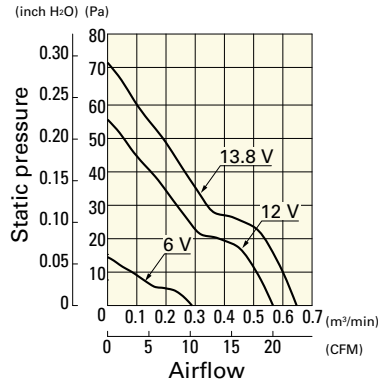
**9GA0612G701** With pulse sensor

Operating voltage range



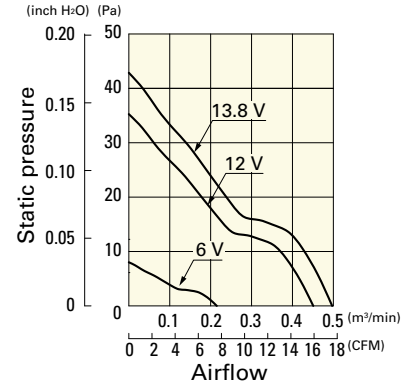
**9GA0612H701** With pulse sensor

Operating voltage range



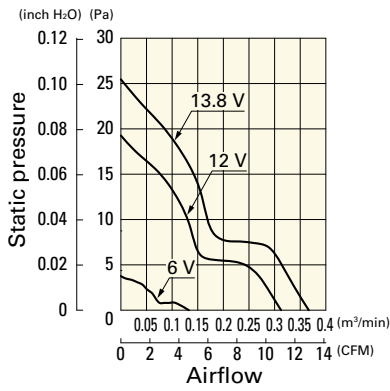
**9GA0612M701** With pulse sensor

Operating voltage range



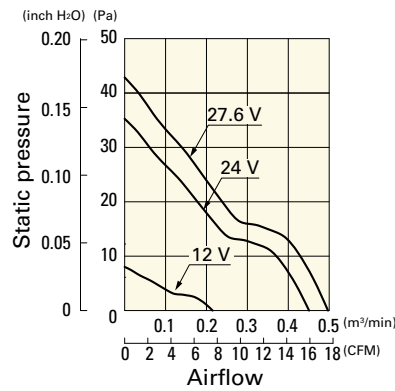
**9GA0612L701** With pulse sensor

Operating voltage range

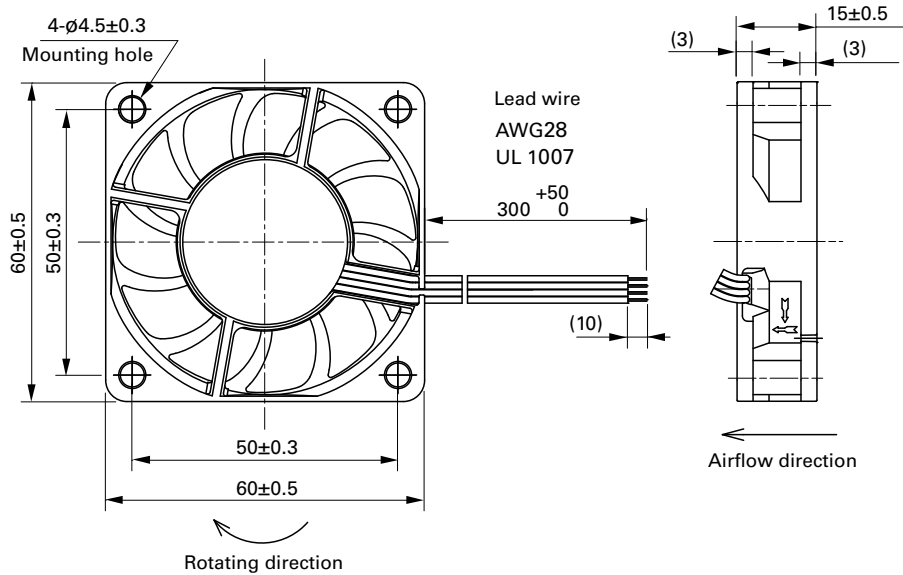


**9GA0624M701** With pulse sensor

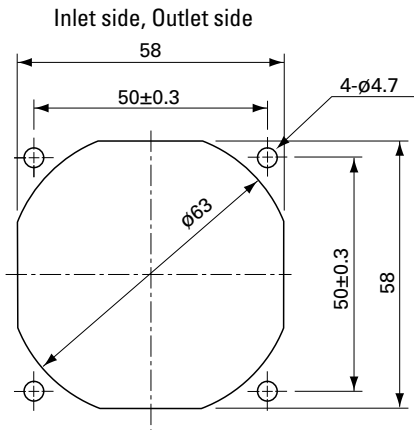
Operating voltage range



**Dimensions (unit: mm)** (With pulse sensor with PWM control function)





**Reference Dimensions of Mounting Holes and Vent Opening (unit: mm)****Options****Finger guards**

page: p. 558

Model no.: 109-139E, 109-139H

**Resin finger guards**

page: p. 565

Model no.: 109-1003G

**Resin filter kits**

page: p. 566

Model no.: 109-1003F13 (13PPI), 109-1003F20 (20PPI),  
109-1003F30 (30PPI), 109-1003F40 (40PPI)



# 60×60×20 mm

**San Ace 60 9GA** type Low Power Consumption Fan

## General Specifications

- Material ..... Frame: Plastic (Flammability: UL 94V-0), Impeller: Plastic (Flammability: UL 94V-0)
- Expected life ..... See the table below. (L10 life: 90% survival rate for continuous operation in free air at 60°C, rated voltage)  
Expected life at 40°C is for reference only.
- Motor protection function ..... Locked rotor burnout protection, Reverse polarity protection  
For details, please refer to p. 573.
- Dielectric strength ..... 50/60 Hz, 500 VAC, for 1 minute (between lead wire conductors and frame)
- Insulation resistance ..... 10 MΩ or more with a 500 VDC megger (between lead wire conductors and frame)
- Sound pressure level (SPL) ..... At 1 m away from the air inlet
- Storage temperature ..... -30 to +70°C (Non-condensing)
- Lead wire ..... ⊕Red ⊖Black (Sensor) Yellow (Control) Brown  
(For models without PWM control function, there is no speed control wiring.)
- Mass ..... 70 g

## Specifications

The models listed below **have ribs and pulse sensors with PWM control function.**

Model no.	Rated voltage [V]	Operating voltage range [V]	PWM duty cycle [%]	Rated current [A]	Rated input [W]	Rated speed [min <sup>-1</sup> ]	Max. airflow [m <sup>2</sup> /min] [CFM]	Max. static pressure [Pa] [inchH <sub>2</sub> O]	SPL [dB (A)]	Operating temperature [°C]	Expected life [h]
9GA0612P6G001	12	10.8 to 13.2	100	0.26	3.12	6850	0.88 31.1	125 0.5	43	-20 to +70	40000/60°C (70000/40°C)
9GA0612P6S001			100	0.15	1.8	5500	0.7 24.7	81 0.33	36		
9GA0624P6G001	24	21.6 to 26.4	100	0.12	2.88	6850	0.88 31.1	125 0.5	43		
9GA0624P6S001			100	0.07	1.68	5500	0.7 24.7	81 0.33	36		

\* PWM input frequency is 25 kHz; models without specifications at 0% PWM duty cycle have zero fan speed at 0%.

The following sensor and control options are available for selection.

Available for all models. **Without sensor**

Differs according to the model. Refer to the table on p. 603. **Pulse sensor** **Lock sensor**

The models listed below **have ribs and pulse sensors.**

Model no.	Rated voltage [V]	Operating voltage range [V]	Rated current [A]	Rated input [W]	Rated speed [min <sup>-1</sup> ]	Max. airflow [m <sup>2</sup> /min] [CFM]	Max. static pressure [Pa] [inchH <sub>2</sub> O]	SPL [dB (A)]	Operating temperature [°C]	Expected life [h]
9GA0612H6001	12	10.8 to 13.2	0.09	1.08	4100	0.52 18.4	45 0.18	29	-20 to +70	60000/60°C (90000/40°C)
9GA0612M6001			0.05	0.6	2700	0.34 12.0	20 0.08	18		
9GA0624H6001	24	21.6 to 26.4	0.04	0.96	4100	0.52 18.4	45 0.18	29		
9GA0624M6001			0.03	0.72	2700	0.34 12.0	20 0.08	18		

The following sensor and control options are available for selection.

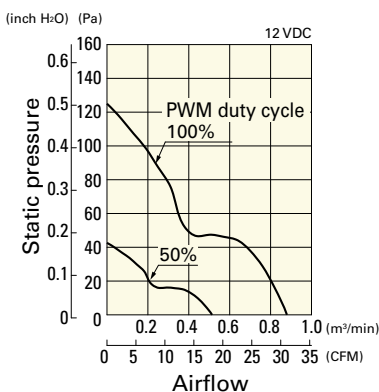
Available for all models. **Without sensor** **Lock sensor**

The mark indicates Short LeadTime Service applicable models. See p. 626 for details.

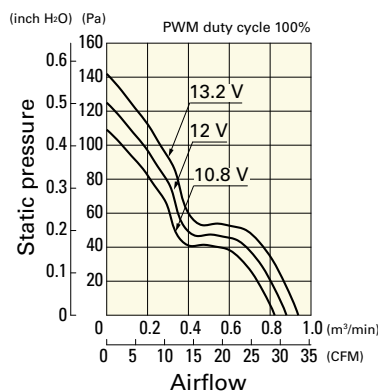
## Airflow - Static Pressure Characteristics / PWM Duty - Speed Characteristics Example

**9GA0612P6G001** With pulse sensor with PWM control function

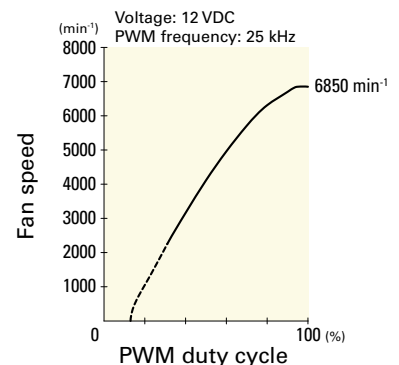
PWM duty cycle



Operating voltage range



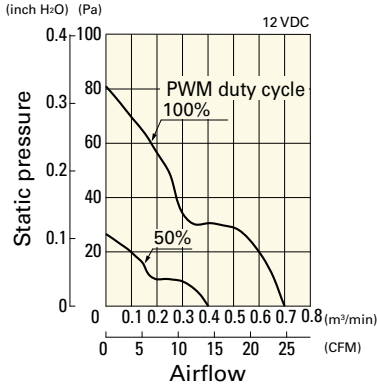
PWM duty - Speed characteristics example



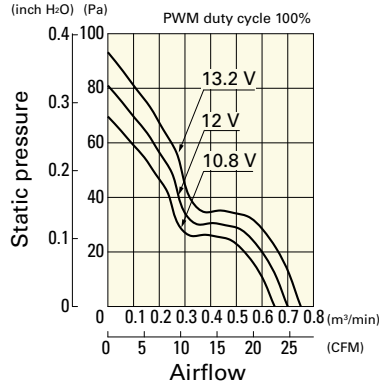
**Airflow - Static Pressure Characteristics / PWM Duty - Speed Characteristics Example**

**9GA0612P6S001** With pulse sensor with PWM control function

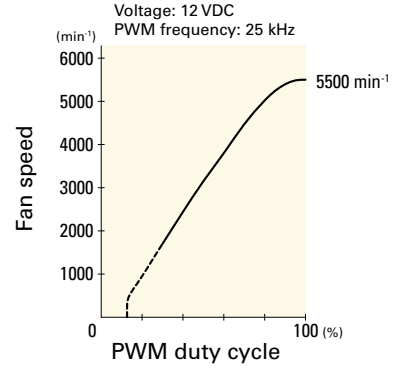
PWM duty cycle



Operating voltage range

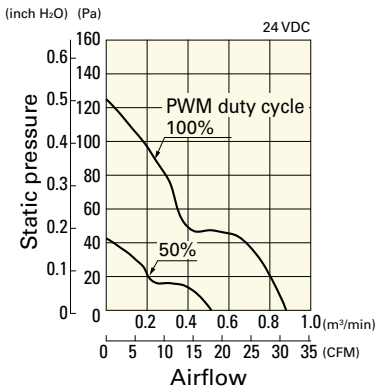


PWM duty - Speed characteristics example

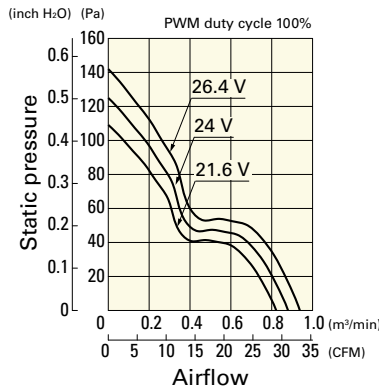


**9GA0624P6G001** With pulse sensor with PWM control function

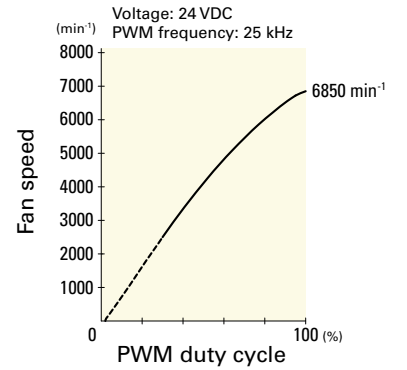
PWM duty cycle



Operating voltage range

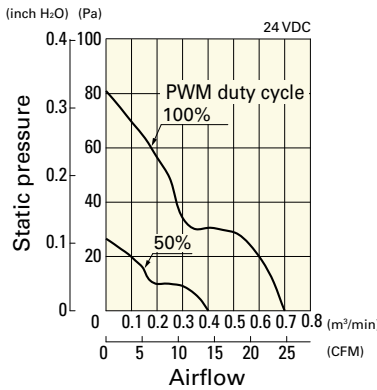


PWM duty - Speed characteristics example

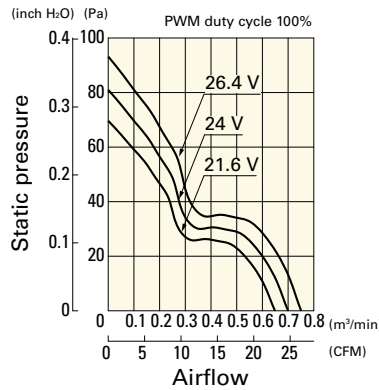


**9GA0624P6S001** With pulse sensor with PWM control function

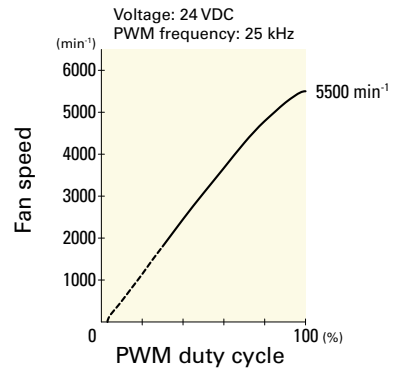
PWM duty cycle



Operating voltage range



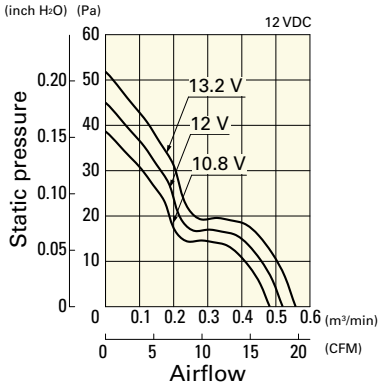
PWM duty - Speed characteristics example



**Airflow - Static Pressure Characteristics**

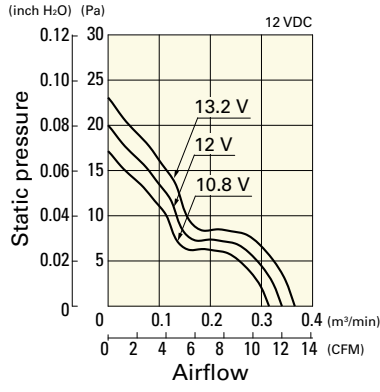
**9GA0612H6001** With pulse sensor

Operating voltage range



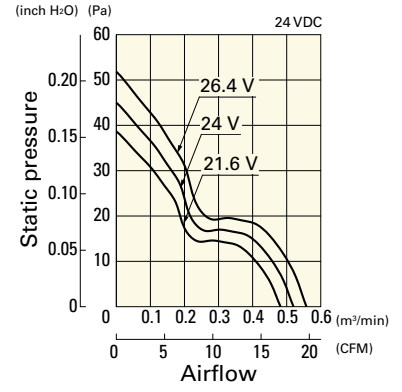
**9GA0612M6001** With pulse sensor

Operating voltage range



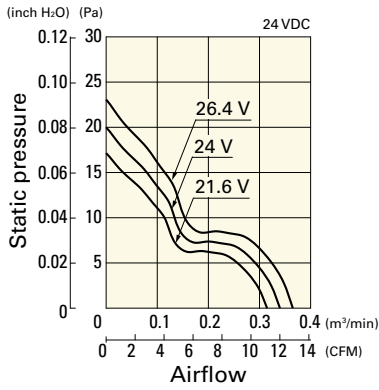
**9GA0624H6001** With pulse sensor

Operating voltage range

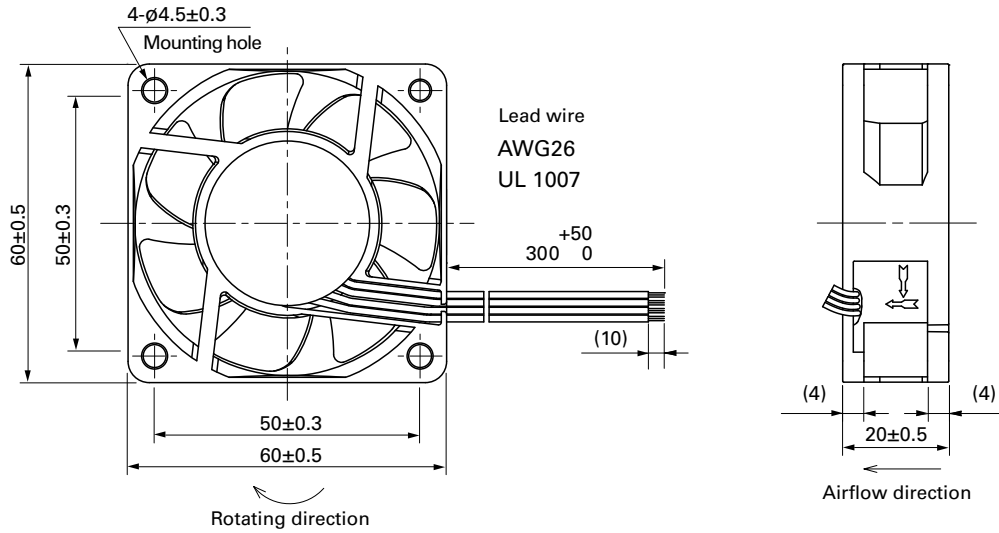


**9GA0624M6001** With pulse sensor

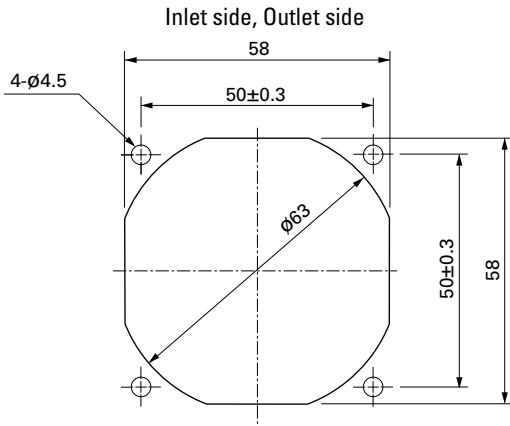
Operating voltage range



**Dimensions (unit: mm)** (With pulse sensor with PWM control function)



**Reference Dimensions of Mounting Holes and Vent Opening (unit: mm)**



**Options**

**Finger guards**

page: p. 558

Model no.: 109-139E, 109-139H

**Resin finger guards**

page: p. 565

Model no.: 109-1003G

**Resin filter kits**

page: p. 566

Model no.: 109-1003F13 (13PPI), 109-1003F20 (20PPI),  
109-1003F30 (30PPI), 109-1003F40 (40PPI)

DC Fan



# 60×60×25 mm

San Ace 60 9G type

## General Specifications

- Material ..... Frame: Plastic (Flammability: UL 94V-0), Impeller: Plastic (Flammability: UL 94V-0)
- Expected life ..... See the table below. (L10 life: 90% survival rate for continuous operation in free air at 60°C, rated voltage)  
Expected life at 40°C is for reference only.
- Motor protection function ..... Locked rotor burnout protection, Reverse polarity protection  
For details, please refer to p. 573.
- Dielectric strength ..... 50/60 Hz, 500 VAC, for 1 minute (between lead wire conductors and frame)
- Insulation resistance ..... 10 MΩ or more with a 500 VDC megger (between lead wire conductors and frame)
- Sound pressure level (SPL) ..... At 1 m away from the air inlet
- Storage temperature ..... -30 to +70°C (Non-condensing)
- Lead wire ..... ⊕Red ⊖Black  Sensor  Yellow  Control  Brown
- Mass ..... 90 g

## Specifications

The models listed below **have ribs and pulse sensors with PWM control function.** For models without ribs, append "1" to the end of model numbers.

Model no.	Rated voltage [V]	Operating voltage range [V]	PWM duty cycle* [%]	Rated current [A]	Rated input [W]	Rated speed [min <sup>-1</sup> ]	Max. airflow [m <sup>3</sup> /min] [CFM]	Max. static pressure [Pa] [inchH <sub>2</sub> O]	SPL [dB (A)]	Operating temperature [°C]	Expected life [h]
9G0612P4S001	12	10.2 to 13.8	100	0.67	8.04	11000	1.4 49.4	300 1.2	53	-20 to +70	40000/60°C (70000/40°C)
9G0612P4H001			0	0.07	0.84	3300	0.42 14.8	27 0.11	19		
9G0612P4H001	24	20.4 to 27.6	100	0.5	6.0	9500	1.21 42.7	224 0.9	49		
9G0624P4S001			0	0.06	0.72	2850	0.36 12.7	20.2 0.08	18		
9G0624P4S001	24	20.4 to 27.6	100	0.34	8.16	11000	1.4 49.4	300 1.2	53		
9G0624P4H001			0	0.04	0.96	3300	0.42 14.8	27 0.11	19		
9G0624P4H001	24	20.4 to 27.6	100	0.25	6.0	9500	1.21 42.7	224 0.9	49		
9G0624P4F001			0	0.04	0.96	2850	0.36 12.7	20.2 0.08	18		
9G0624P4F001	24	20.4 to 27.6	100	0.17	4.08	7800	1.0 35.3	150 0.6	43		
9G0624P4F001			20	0.03	0.72	1800	0.23 8.1	8 0.03	14		
9G0648P4S001	48	36 to 72	100	0.18	8.64	11000	1.4 49.4	305 1.22	53		
9G0648P4S001			0	0.02	0.96	3300	0.42 14.8	27.4 0.11	19		

\* PWM input frequency is 25 kHz; models without specifications at 0% PWM duty cycle have zero fan speed at 0%.

The following sensor and control options are available for selection.

Differs according to the model. Refer to the table on p. 600.  Without sensor  Pulse sensor  Lock sensor

The mark indicates Short Lead Time Service applicable models. See p. 626 for details.

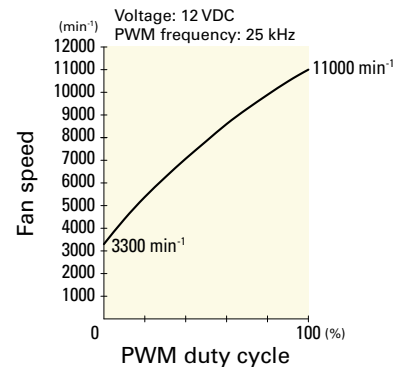
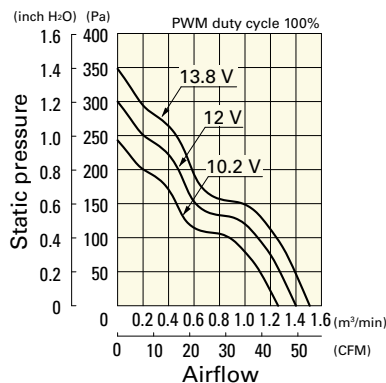
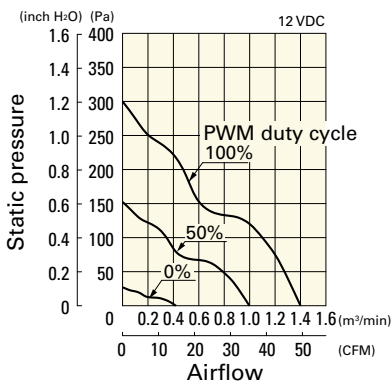
## Airflow - Static Pressure Characteristics / PWM Duty - Speed Characteristics Example

**9G0612P4S001** With pulse sensor with PWM control function

PWM duty cycle

Operating voltage range

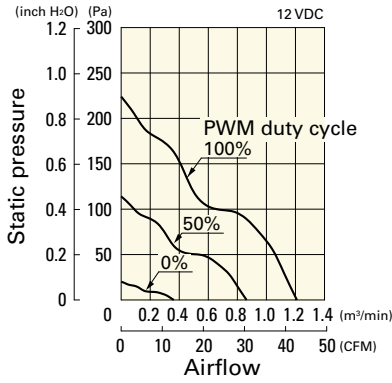
PWM duty - Speed characteristics example



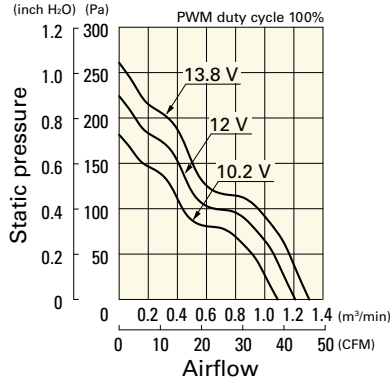
**Airflow - Static Pressure Characteristics / PWM Duty - Speed Characteristics Example**

**9G0612P4H001** With pulse sensor with PWM control function

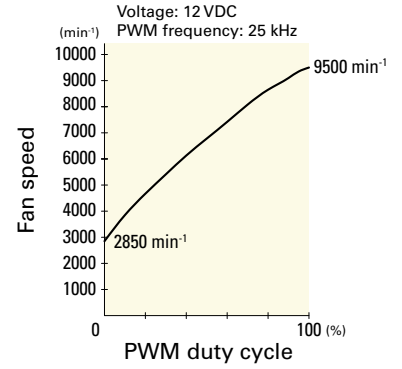
PWM duty cycle



Operating voltage range

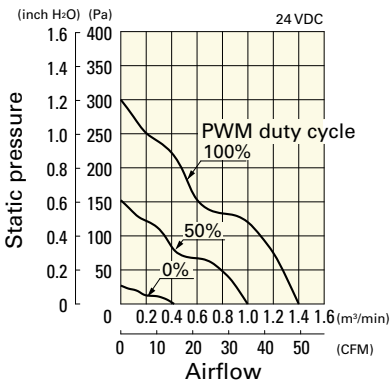


PWM duty - Speed characteristics example

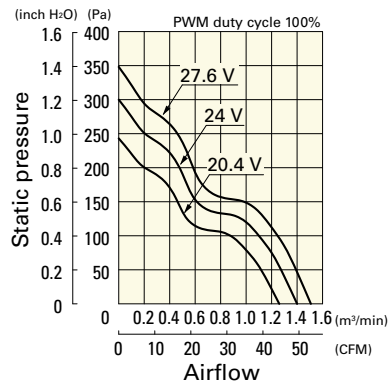


**9G0624P4S001** With pulse sensor with PWM control function

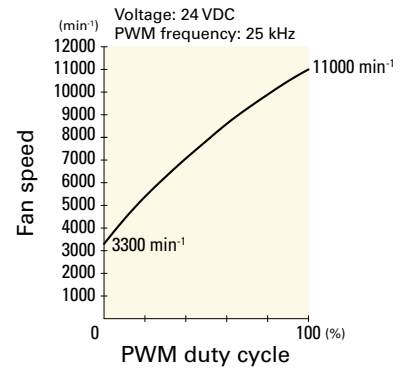
PWM duty cycle



Operating voltage range

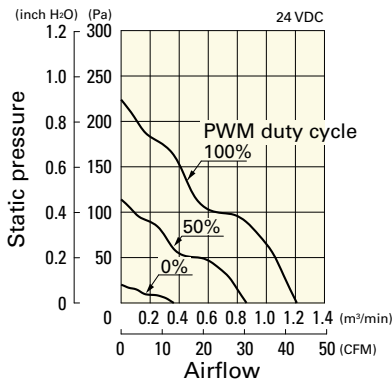


PWM duty - Speed characteristics example

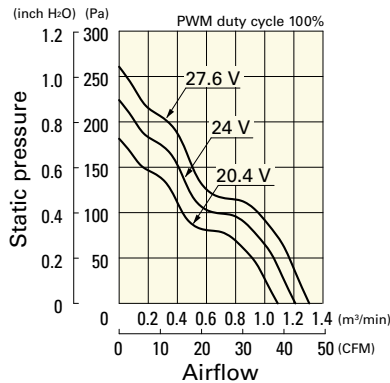


**9G0624P4H001** With pulse sensor with PWM control function

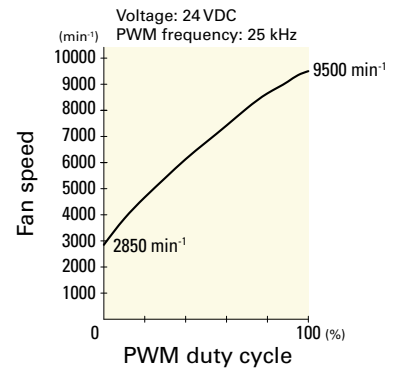
PWM duty cycle



Operating voltage range

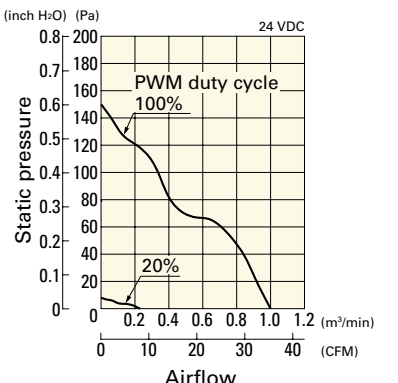


PWM duty - Speed characteristics example

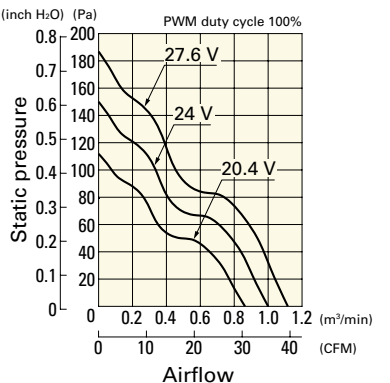


**9G0624P4F001** With pulse sensor with PWM control function

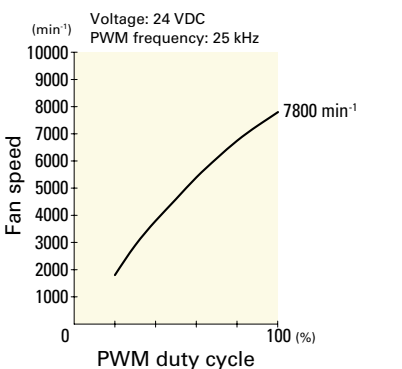
PWM duty cycle



Operating voltage range



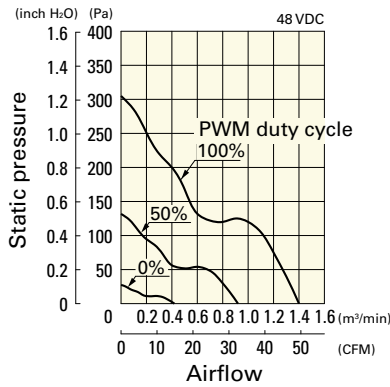
PWM duty - Speed characteristics example



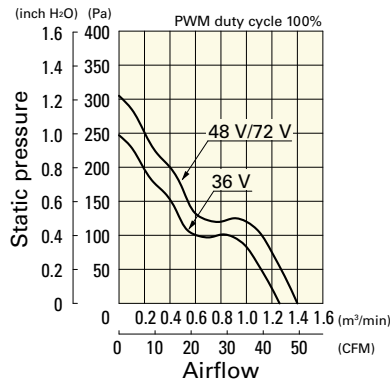
**Airflow - Static Pressure Characteristics / PWM Duty - Speed Characteristics Example**

**9G0648P4S001** With pulse sensor with PWM control function

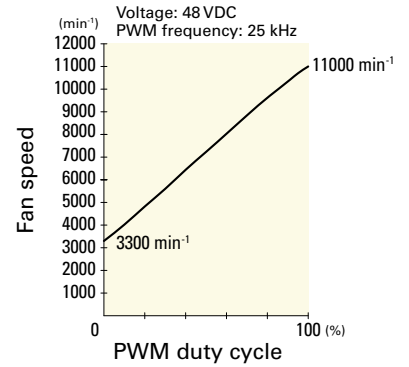
PWM duty cycle



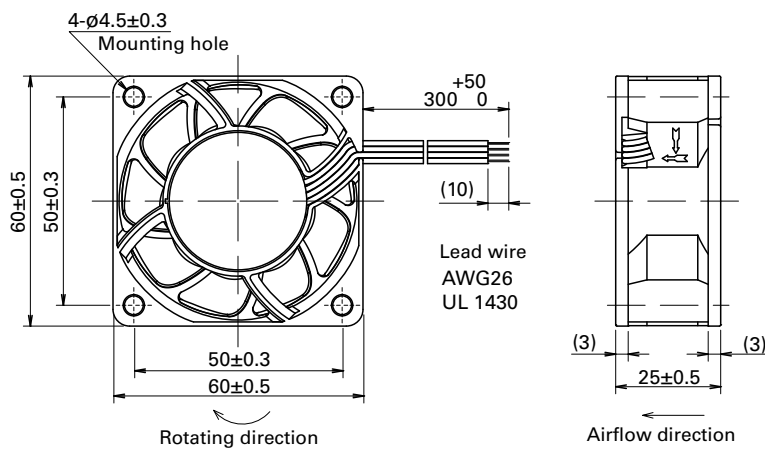
Operating voltage range



PWM duty - Speed characteristics example

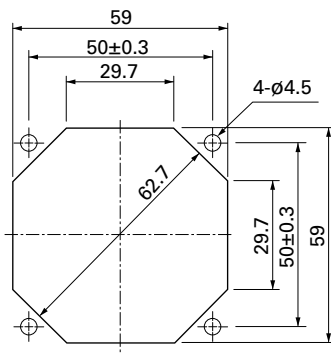


**Dimensions (unit: mm) (With ribs)**



**Reference Dimensions of Mounting Holes and Vent Opening (unit: mm)**

Inlet side, Outlet side



**Options**

Finger guards

page: p. 558

Model no.: 109-139E, 109-139H

Resin finger guards

page: p. 565

Model no.: 109-1003G

Resin filter kits

page: p. 566

Model no.: 109-1003F13 (13PPI), 109-1003F20 (20PPI), 109-1003F30 (30PPI), 109-1003F40 (40PPI)



# 60×60×25 mm

## San Ace 60 9R type



### General Specifications

- Material ..... Frame: Plastic (Flammability: UL 94V-0), Impeller: Plastic (Flammability: UL 94V-1)
- Expected life ..... See the table below. (L10 life: 90% survival rate for continuous operation in free air at 60°C, rated voltage)  
Expected life at 40°C is for reference only.
- Motor protection function ..... Locked rotor burnout protection, Reverse polarity protection  
For details, please refer to p. 573.
- Dielectric strength ..... 50/60 Hz, 500 VAC, for 1 minute (between lead wire conductors and frame)
- Insulation resistance ..... 10 MΩ or more with a 500 VDC megger (between lead wire conductors and frame)
- Sound pressure level (SPL) ..... At 1 m away from the air inlet
- Storage temperature ..... -30 to +70°C (Non-condensing)
- Lead wire ..... ⊕Red ⊖Black or Blue  Sensor Yellow
- Mass ..... 90 g

### Specifications

The models listed below **have ribs and pulse sensors**. For models without ribs, append "1" to the end of model numbers.

Model no.	Rated voltage [V]	Operating voltage range [V]	Rated current [A]	Rated input [W]	Rated speed [min <sup>-1</sup> ]	Max. airflow [m <sup>3</sup> /min] [CFM]		Max. static pressure [Pa] [inchH <sub>2</sub> O]		SPL [dB (A)]	Operating temperature [°C]	Expected life [h]	
» 109R0605H401	5	4.5 to 5.5	0.34	1.7	3800	0.53	18.7	40.2	0.161	28	-20 to +70	60000/60°C (90000/40°C)	
» 109R0605F401			0.2	1.0	3200	0.44	15.5	29.4	0.118	24	-20 to +60		
» 109R0605M401			0.13	0.65	2600	0.36	12.7	19.6	0.079	20	-20 to +70		
» 109R0612J401	12	10.8 to 13.2	0.47	5.64	7600	1.06	37.1	155.0	0.622	44	-20 to +60	40000/60°C (70000/40°C)	
» 109R0612G401			0.24	2.88	5600	0.78	27.5	87.3	0.351	39	-20 to +70		60000/60°C (90000/40°C)
» 109R0612D401		10.2 to 13.8	0.21	2.52	5150	0.72	25.4	73.5	0.295	37			
» 109R0612S401		6 to 13.8	0.17	2.04	4600	0.65	23.0	56.8	0.228	33			
» 109R0612H401			0.11	1.32	3800	0.53	18.7	40.1	0.161	28			
» 109R0612F401			0.09	1.08	3200	0.44	15.5	29.4	0.118	24			
» 109R0612M401		7 to 13.8	0.06	0.72	2600	0.36	12.7	19.6	0.079	20			
» 109R0624J401		24	21.6 to 26.4	0.24	5.76	7600	1.06	37.1	155.0	0.622	44	-20 to +60	40000/60°C (70000/40°C)
» 109R0624G401	20.4 to 27.6		0.13	3.12	5600	0.78	27.5	87.3	0.351	39	-20 to +70	60000/60°C (90000/40°C)	
» 109R0624D401	12 to 27.6		0.12	2.88	5150	0.72	25.4	73.5	0.295	37			
» 109R0624S401			0.08	1.92	4600	0.65	23.0	56.8	0.228	33			
» 109R0624H401			0.06	1.44	3800	0.53	18.7	40.2	0.161	28			
» 109R0624F401	0.05		1.2	3200	0.44	15.5	29.4	0.118	24				
» 109R0624M401	14 to 27.6		0.04	0.96	2600	0.36	12.7	19.6	0.079	20			
» 109R0648J401	48		43.2 to 52.8	0.12	5.76	7600	1.06	37.1	155.0	0.622	44	-20 to +60	40000/60°C (70000/40°C)
» 109R0648G401		43 to 53	0.07	3.36	5600	0.78	27.5	87.3	0.351	39	-20 to +70	60000/60°C (90000/40°C)	
» 109R0648H401		40 to 53	0.04	1.92	3800	0.53	18.7	40.2	0.161	28			

The following sensor and control options are available for selection.

Available for all models. **Without sensor**

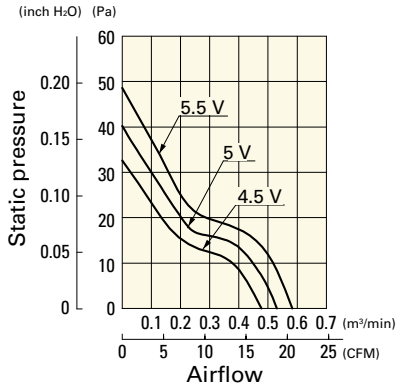
Differs according to the model. Refer to the table on pp. 596 to 597. **Lock sensor** **PWM control**

The » mark indicates Short LeadTime Service applicable models. See p. 626 for details.

**Airflow - Static Pressure Characteristics**

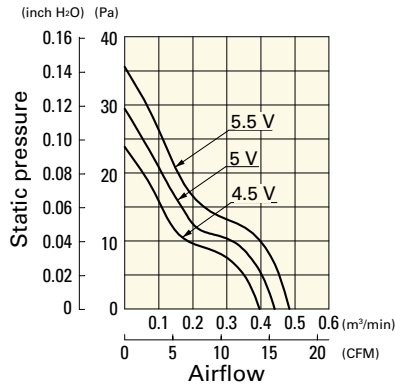
**109R0605H401** With pulse sensor

Operating voltage range



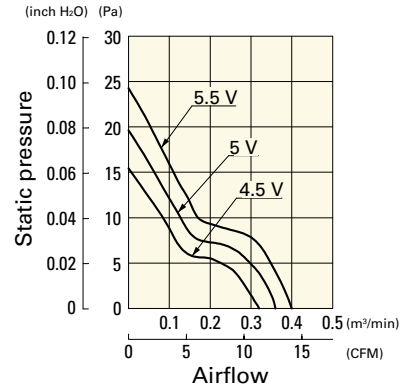
**109R0605F401** With pulse sensor

Operating voltage range



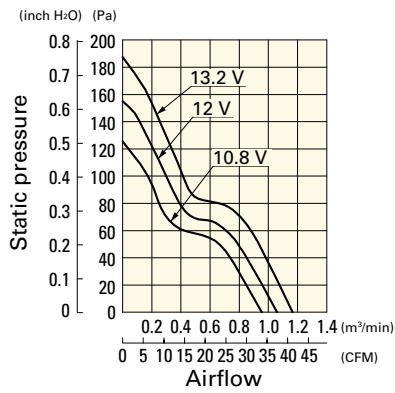
**109R0605M401** With pulse sensor

Operating voltage range



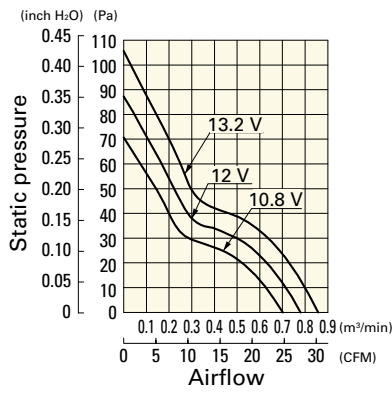
**109R0612J401** With pulse sensor

Operating voltage range



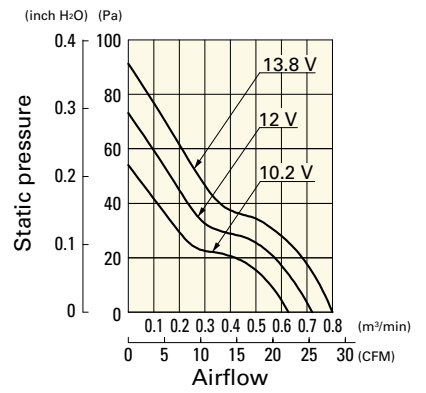
**109R0612G401** With pulse sensor

Operating voltage range



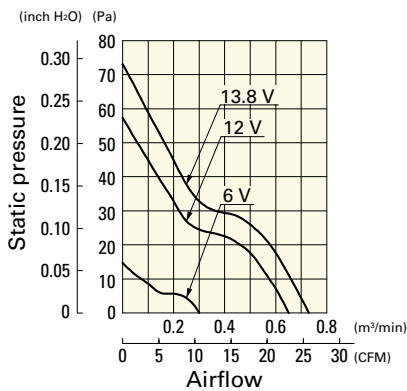
**109R0612D401** With pulse sensor

Operating voltage range



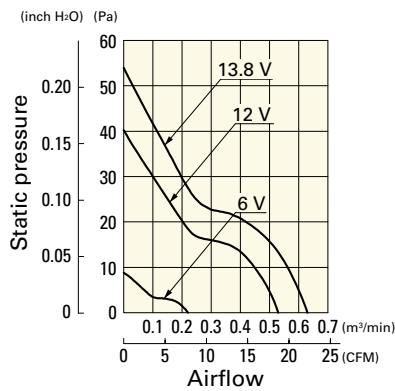
**109R0612S401** With pulse sensor

Operating voltage range



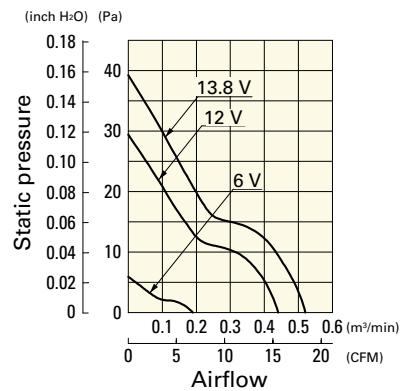
**109R0612H401** With pulse sensor

Operating voltage range



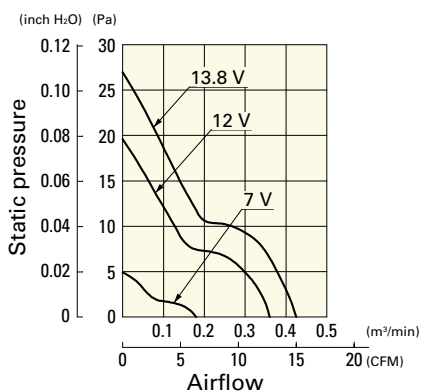
**109R0612F401** With pulse sensor

Operating voltage range



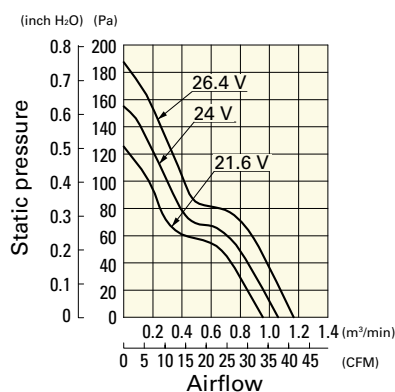
**109R0612M401** With pulse sensor

Operating voltage range



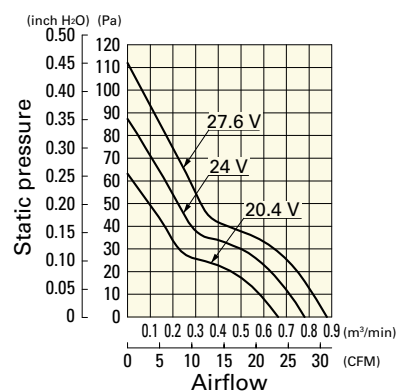
**109R0624J401** With pulse sensor

Operating voltage range



**109R0624G401** With pulse sensor

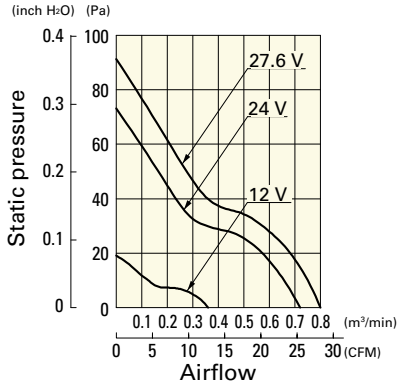
Operating voltage range



**Airflow - Static Pressure Characteristics**

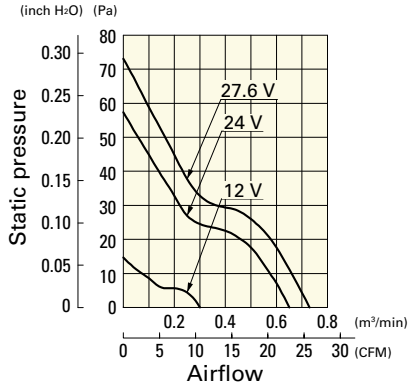
**109R0624D401** With pulse sensor

Operating voltage range



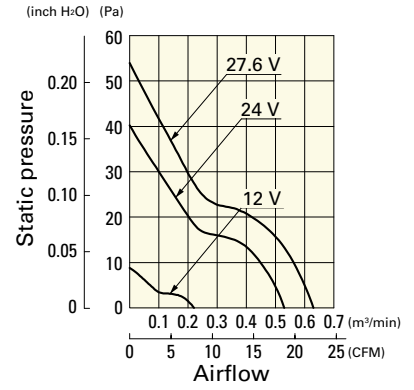
**109R0624S401** With pulse sensor

Operating voltage range



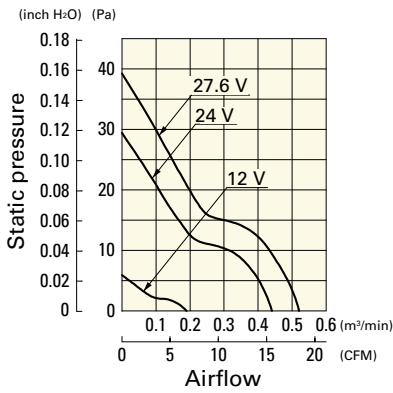
**109R0624H401** With pulse sensor

Operating voltage range



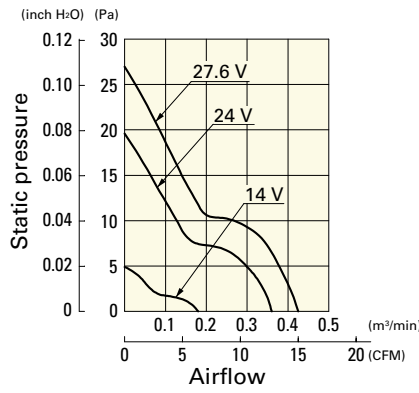
**109R0624F401** With pulse sensor

Operating voltage range



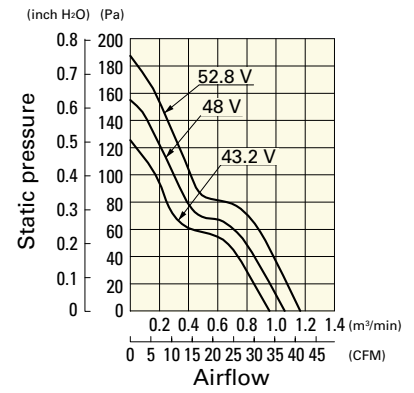
**109R0624M401** With pulse sensor

Operating voltage range



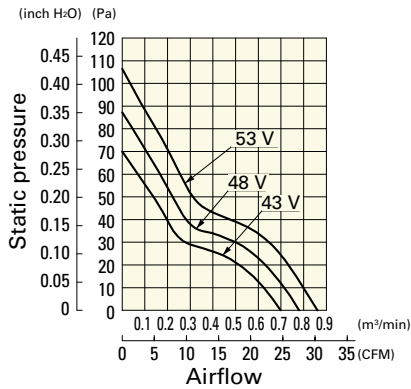
**109R0648J401** With pulse sensor

Operating voltage range



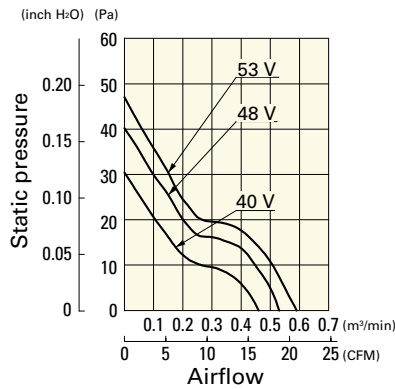
**109R0648G401** With pulse sensor

Operating voltage range

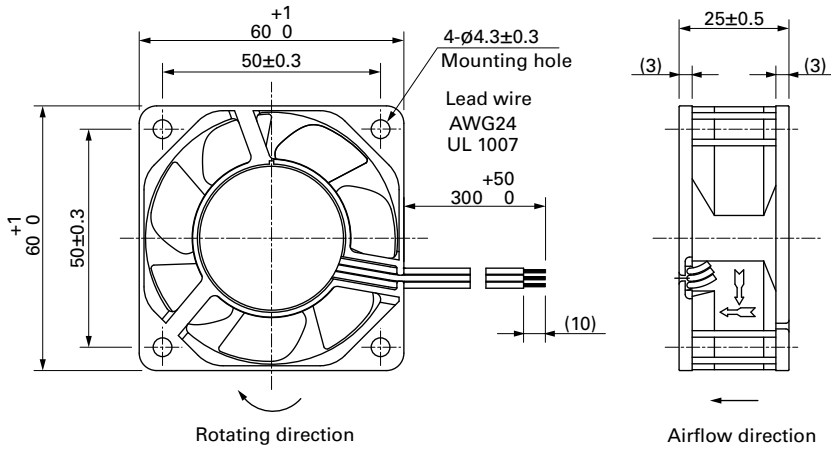


**109R0648H401** With pulse sensor

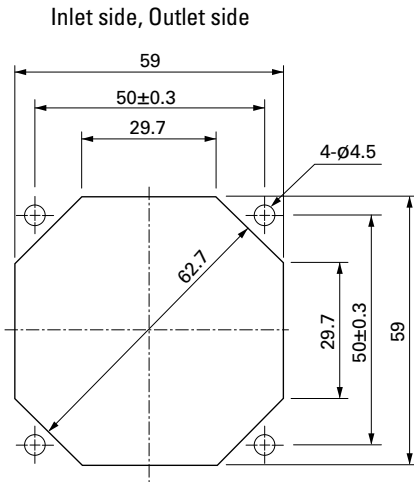
Operating voltage range



**Dimensions (unit: mm)** (With ribs)



**Reference Dimensions of Mounting Holes and Vent Opening (unit: mm)**



**Options**

**Finger guards** page: p. 558  
 Model no.: 109-139E, 109-139H

**Resin finger guards** page: p. 565  
 Model no.: 109-1003G

**Resin filter kits** page: p. 566  
 Model no.: 109-1003F13 (13PPI), 109-1003F20 (20PPI),  
 109-1003F30 (30PPI), 109-1003F40 (40PPI)



# 60×60×25 mm

**San Ace 60 9S** type Silent Fan

## General Specifications

- Material ..... Frame: Plastic (Flammability: UL 94V-0), Impeller: Plastic (Flammability: UL 94V-1)
- Expected life ..... See the table below. (L10 life: 90% survival rate for continuous operation in free air at 60°C, rated voltage)  
Expected life at 40°C is for reference only.
- Motor protection function ..... Locked rotor burnout protection, Reverse polarity protection  
For details, please refer to p. 573.
- Dielectric strength ..... 50/60 Hz, 500 VAC, for 1 minute (between lead wire conductors and frame)
- Insulation resistance ..... 10 MΩ or more with a 500 VDC megger (between lead wire conductors and frame)
- Sound pressure level (SPL) ..... At 1 m away from the air inlet
- Storage temperature ..... -30 to +70°C (Non-condensing)
- Lead wire ..... ⊕Red ⊖Black Sensor Yellow
- Mass ..... 55 g

## Specifications

The models listed below **have ribs and pulse sensors**. For models without ribs, append "1" to the end of model numbers.

Model no.	Rated voltage [V]	Operating voltage range [V]	Rated current [A]	Rated input [W]	Rated speed [min <sup>-1</sup> ]	Max. airflow [m <sup>3</sup> /min] [CFM]	Max. static pressure [Pa] [inchH <sub>2</sub> O]	SPL [dB (A)]	Operating temperature [°C]	Expected life [h]
» 9S0612S401	12	5.0 to 13.8	0.2	2.4	5000	0.74 26.1	65.7 0.26	31	-10 to +70	40000/60°C (70000/40°C)
» 9S0612H401			0.11	1.32	3900	0.58 20.5	40.0 0.16	24		
» 9S0612F401		6.0 to 13.8	0.08	0.96	3300	0.49 17.3	29.3 0.12	20		
» 9S0612M401			0.07	0.84	2700	0.4 14.1	19.7 0.08	16		

The following sensor and control options are available for selection.

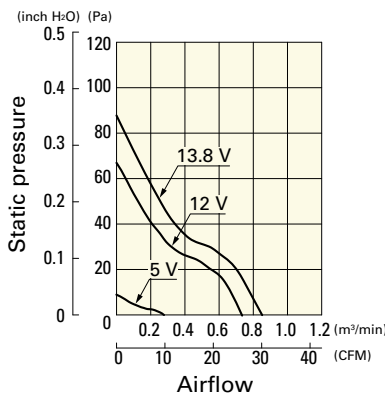
Differs according to the model. Refer to the table on p. 609. Without sensor Lock sensor PWM control

The » mark indicates Short LeadTime Service applicable models. See p. 626 for details.

## Airflow - Static Pressure Characteristics

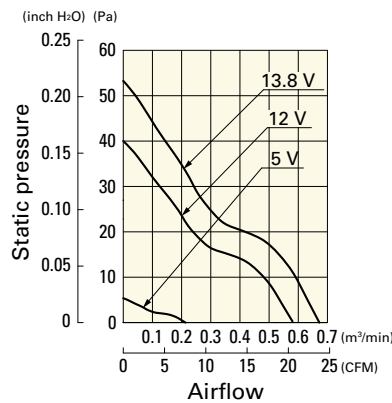
**9S0612S401** With pulse sensor

Operating voltage range



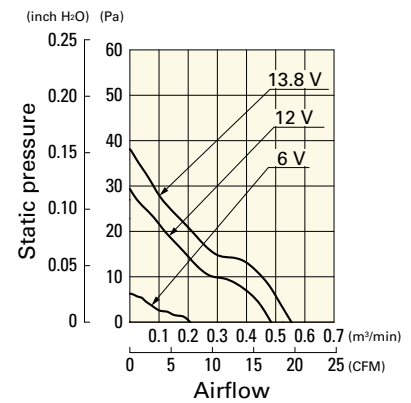
**9S0612H401** With pulse sensor

Operating voltage range



**9S0612F401** With pulse sensor

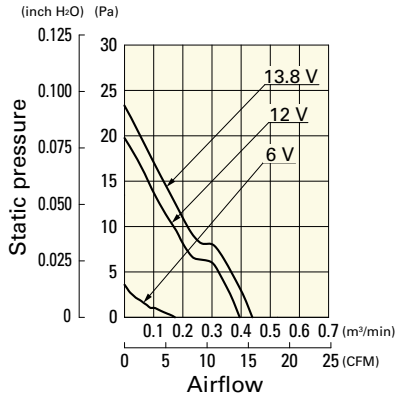
Operating voltage range



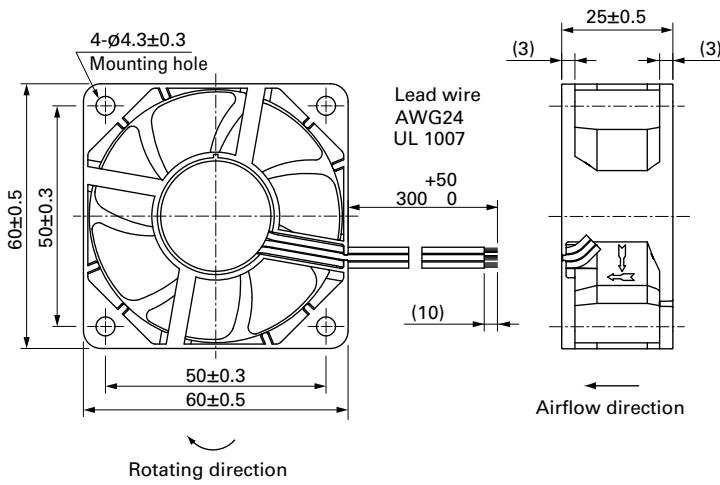
## Airflow - Static Pressure Characteristics

**9S0612M401** With pulse sensor

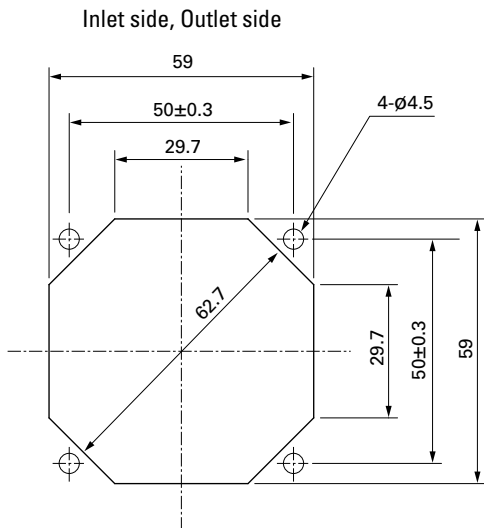
Operating voltage range



## Dimensions (unit: mm) (With ribs)



## Reference Dimensions of Mounting Holes and Vent Opening (unit: mm)



## Options

Finger guards

page: p. 558

Model no.: 109-139E, 109-139H

Resin finger guards

page: p. 565

Model no.: 109-1003G

Resin filter kits

page: p. 566

Model no.: 109-1003F13 (13PPI), 109-1003F20 (20PPI),  
109-1003F30 (30PPI), 109-1003F40 (40PPI)

# 60×60×25 mm

San Cooler 60 9A type   



## General Specifications

- Material ..... Frame: Plastic (Flammability: UL 94V-0), Impeller: Plastic (Flammability: UL 94V-0)
- Expected life ..... See the table below. (L10 life: 90% survival rate for continuous operation in free air at 60°C, rated voltage)  
Expected life at 40°C is for reference only.
- Motor protection function ..... Locked rotor burnout protection, Reverse polarity protection  
For details, please refer to p. 573.
- Dielectric strength ..... 50/60 Hz, 500 VAC, for 1 minute (between lead wire conductors and frame)
- Insulation resistance ..... 10 MΩ or more with a 500 VDC megger (between lead wire conductors and frame)
- Sound pressure level (SPL) ..... At 1 m away from the air inlet
- Storage temperature ..... -30 to +70°C (Non-condensing)
- Lead wire ..... ⊕Red ⊖Black or Blue  Sensor Yellow
- Mass ..... 80 g

## Specifications

The models listed below **have ribs and pulse sensors**. For models without ribs, append "1" to the end of model numbers.

Model no.	Rated voltage [V]	Operating voltage range [V]	Rated current [A]	Rated input [W]	Rated speed [min <sup>-1</sup> ]	Max. airflow [m <sup>3</sup> /min] [CFM]	Max. static pressure [Pa] [inchH <sub>2</sub> O]	SPL [dB (A)]	Operating temperature [°C]	Expected life [h]
▶▶ 9A0612G401	12	6 to 13.2	0.24	2.88	5600	0.78 27.6	87.3 0.351	39	-20 to +60	30000/60°C (53000/40°C)
▶▶ 9A0612S401			0.17	2.04	4600	0.65 23.0	56.8 0.228	33		
▶▶ 9A0612H401		6 to 13.8	0.11	1.32	3800	0.53 18.7	40.2 0.161	28	-20 to +70	40000/60°C (70000/40°C)
▶▶ 9A0612F401			0.09	1.08	3200	0.44 15.5	29.4 0.118	24		
▶▶ 9A0612M401			0.06	0.72	2600	0.36 12.7	19.6 0.079	20		
▶▶ 9A0624G401	24	12 to 27.6	0.13	3.12	5600	0.78 27.6	87.3 0.351	39	-20 to +60	30000/60°C (53000/40°C)
▶▶ 9A0624S401			0.08	1.92	4600	0.65 23.0	56.8 0.228	33		
▶▶ 9A0624H401		12 to 27.6	0.06	1.44	3800	0.53 18.7	40.2 0.161	28	-20 to +70	40000/60°C (70000/40°C)
▶▶ 9A0624F401			0.05	1.2	3200	0.44 15.5	29.4 0.118	24		
▶▶ 9A0624M401			0.04	0.96	2600	0.36 12.7	19.6 0.079	20		

The following sensor and control options are available for selection.

Available for all models. **Without sensor**

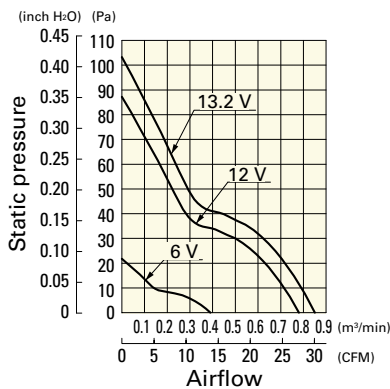
Differs according to the model. Refer to the table on pp. 597 to 598. **Lock sensor** **PWM control**

The ▶▶ mark indicates Short Lead Time Service applicable models. See p. 626 for details.

## Airflow - Static Pressure Characteristics

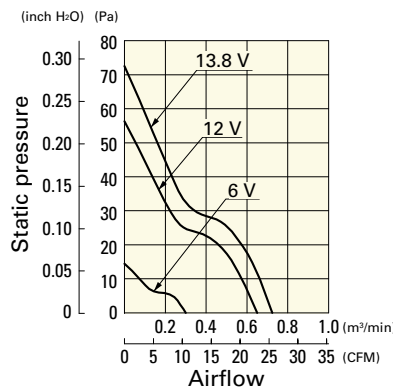
**9A0612G401** With pulse sensor

Operating voltage range



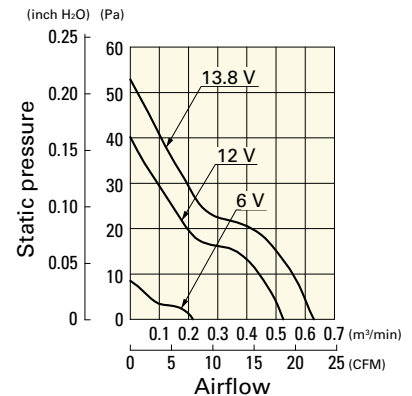
**9A0612S401** With pulse sensor

Operating voltage range



**9A0612H401** With pulse sensor

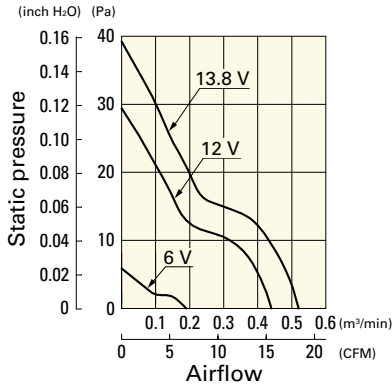
Operating voltage range



**Airflow - Static Pressure Characteristics**

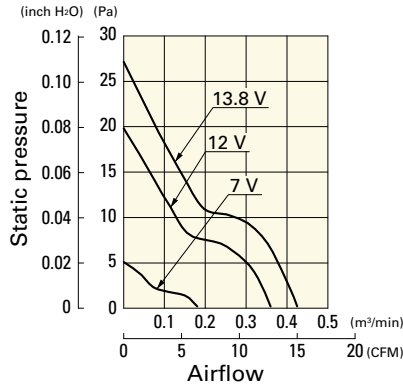
**9A0612F401** With pulse sensor

Operating voltage range



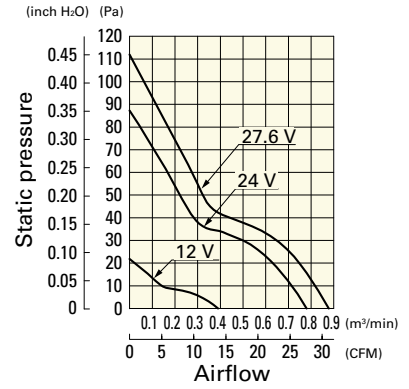
**9A0612M401** With pulse sensor

Operating voltage range



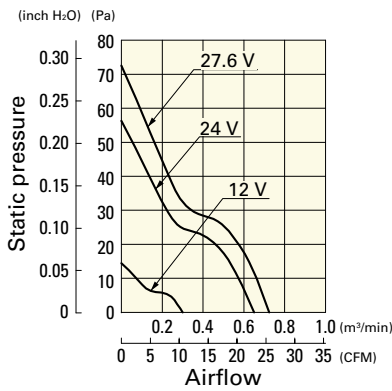
**9A0624G401** With pulse sensor

Operating voltage range



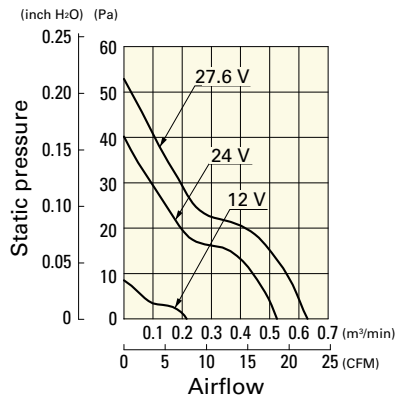
**9A0624S401** With pulse sensor

Operating voltage range



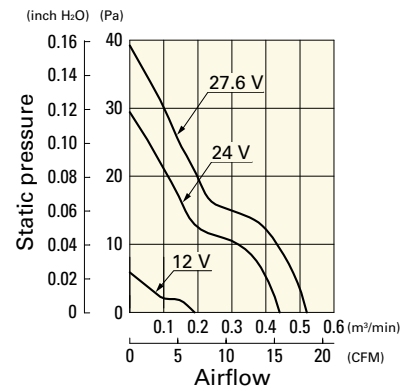
**9A0624H401** With pulse sensor

Operating voltage range



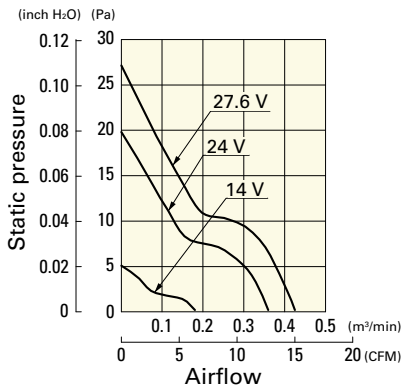
**9A0624F401** With pulse sensor

Operating voltage range



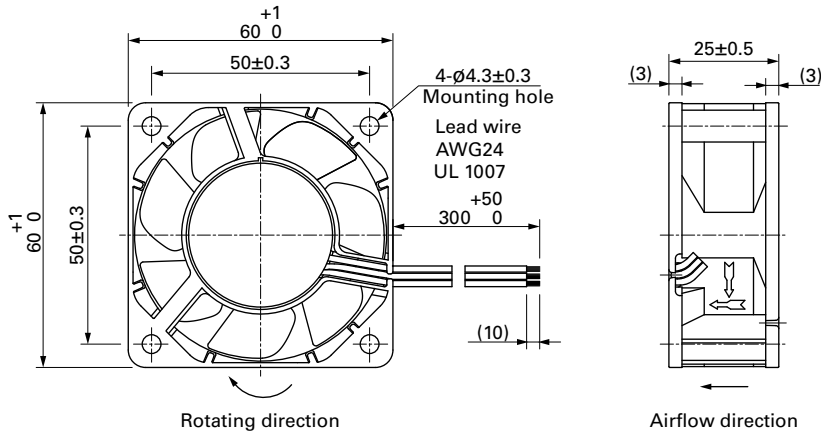
**9A0624M401** With pulse sensor

Operating voltage range

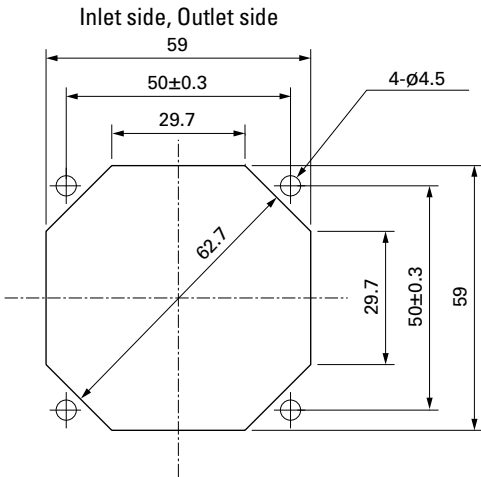




**Dimensions (unit: mm)** (With ribs)



**Reference Dimensions of Mounting Holes and Vent Opening (unit: mm)**



**Options**

**Finger guards** page: p. 558  
Model no.: 109-139E, 109-139H

**Resin finger guards** page: p. 565  
Model no.: 109-1003G

**Resin filter kits** page: p. 566  
Model no.: 109-1003F13 (13PPI), 109-1003F20 (20PPI),  
109-1003F30 (30PPI), 109-1003F40 (40PPI)

DC Fan



# 60×60×38 mm

San Ace 60 9HV type

## General Specifications

- Material ..... Frame: Plastic (Flammability: UL 94V-0), Impeller: Plastic (Flammability: UL 94V-0)
- Expected life ..... See the table below. (L10 life: 90% survival rate for continuous operation in free air at 60°C, rated voltage)  
Expected life at 40°C is for reference only.
- Motor protection function ..... Locked rotor burnout protection, Reverse polarity protection  
For details, please refer to p. 573.
- Dielectric strength ..... 50/60 Hz, 500 VAC, for 1 minute (between lead wire conductors and frame)
- Insulation resistance ..... 10 MΩ or more with a 500 VDC megger (between lead wire conductors and frame)
- Sound pressure level (SPL) ..... At 1 m away from the air inlet
- Storage temperature ..... -30 to +70°C (Non-condensing)
- Lead wire ..... ⊕Red ⊖Black  Sensor  Yellow  Control  Brown
- Mass ..... 135 g

## Specifications

The models listed below **have ribs and pulse sensors with PWM control function.** For models without ribs, append "1" to the end of model numbers.

Model no.	Rated voltage [V]	Operating voltage range [V]	PWM duty cycle* [%]	Rated current [A]	Rated input [W]	Rated speed [min <sup>-1</sup> ]	Max. airflow [m <sup>3</sup> /min] [CFM]	Max. static pressure [Pa] [inchH <sub>2</sub> O]	SPL [dB (A)]	Operating temperature [°C]	Expected life [h]
▶▶ 9HV0612P1J001	12	10.8 to 12.6	100	2.7	32.4	21700	1.88 66.4	1750 7.0	68	-20 to +70	40000/60°C (70000/40°C)
			20	0.17	2.04	5300	0.43 15.2	102 0.41	34		

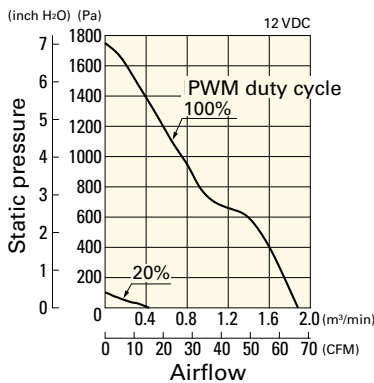
\* PWM input frequency is 25 kHz; models without specifications at 0% PWM duty cycle have zero fan speed at 0%.

The ▶▶ mark indicates Short Lead Time Service applicable models. See p. 626 for details.

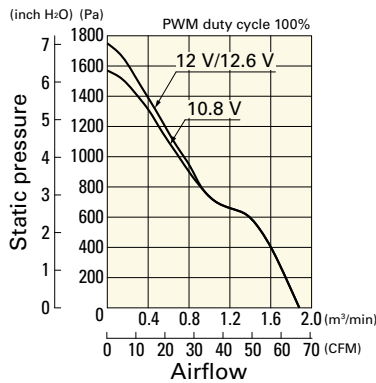
## Airflow - Static Pressure Characteristics / PWM Duty - Speed Characteristics Example

**9HV0612P1J001** With pulse sensor with PWM control function

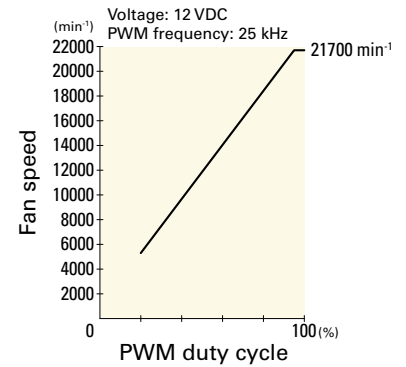
PWM duty cycle



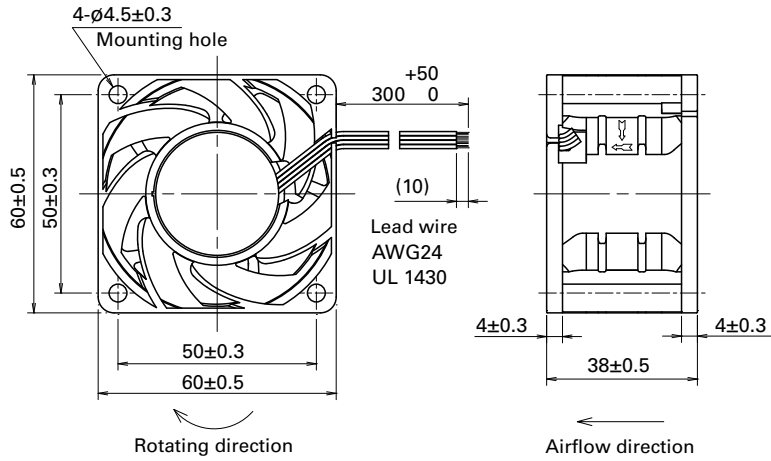
Operating voltage range



PWM duty - Speed characteristics example

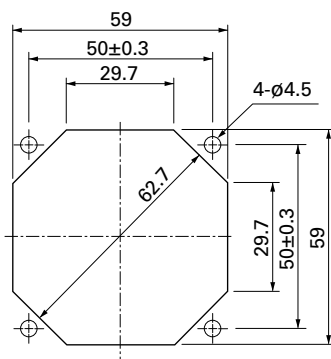


**Dimensions (unit: mm)** (With ribs)



**Reference Dimensions of Mounting Holes and Vent Opening (unit: mm)**

Inlet side, Outlet side



**Options**

**Finger guards**

page: p. 558

Model no.: 109-139E, 109-139H

**Resin finger guards**

page: p. 565

Model no.: 109-1003G

**Resin filter kits**

page: p. 566

Model no.: 109-1003F13 (13PPI), 109-1003F20 (20PPI),  
109-1003F30 (30PPI), 109-1003F40 (40PPI)

DC Fan



# 60×60×38 mm

**San Ace 60 9GA** type Low Power Consumption Fan

## General Specifications

- Material ..... Frame: Plastic (Flammability: UL 94V-0), Impeller: Plastic (Flammability: UL 94V-0)
- Expected life ..... See the table below. (L10 life: 90% survival rate for continuous operation in free air at 60°C, rated voltage)  
Expected life at 40°C is for reference only.
- Motor protection function ..... Locked rotor burnout protection, Reverse polarity protection  
For details, please refer to p. 573.
- Dielectric strength ..... 50/60 Hz, 500 VAC, for 1 minute (between lead wire conductors and frame)
- Insulation resistance ..... 10 MΩ or more with a 500 VDC megger (between lead wire conductors and frame)
- Sound pressure level (SPL) ..... At 1 m away from the air inlet
- Storage temperature ..... -30 to +70°C (Non-condensing)
- Lead wire ..... ⊕Red ⊖Black Sensor Yellow Control Brown
- Mass ..... 130 g

## Specifications

The models listed below **have ribs and pulse sensors with PWM control function.** For models without ribs, append "1" to the end of model numbers.

Model no.	Rated voltage [V]	Operating voltage range [V]	PWM duty cycle* [%]	Rated current [A]	Rated input [W]	Rated speed [min <sup>-1</sup> ]	Max. airflow [m <sup>3</sup> /min] [CFM]	Max. static pressure [Pa] [inchH <sub>2</sub> O]	SPL [dB (A)]	Operating temperature [°C]	Expected life [h]	
9GA0612P1J03	12	10.8 to 12.6	100	1.5	18.0	17500	1.75 62	820 3.3	63	-20 to +60	40000/60°C (70000/40°C)	
			20	0.1	1.2	4000	0.4 14	43 0.17	24			
9GA0612P1K03		10.8 to 13.2	100	0.95	11.4	14800	1.5 53	600 2.4	59			-20 to +70
			20	0.1	1.2	4000	0.4 14	43 0.17	24			
9GA0612P1K60		10.8 to 13.2	100	0.95	11.4	14800	1.5 53	675 2.7	59			-20 to +60
			0	0.05	0.6	1480	0.134 4.7	8.3 0.03	16			
9GA0612P1H03		10.8 to 13.2	100	0.55	6.6	11500	1.15 40	375 1.5	52	-20 to +70		
			20	0.06	0.72	2600	0.27 9.5	20 0.08	19			
9GA0624P1J03		24	21.6 to 25.2	100	0.75	18.0	17500	1.75 62	820 3.3	63		-20 to +60
				20	0.1	2.4	6200	0.63 22	104 0.42	35		
9GA0624P1K03			21.6 to 26.4	100	0.5	12	14800	1.5 53.0	600 2.4	59		-20 to +70
				20	0.06	1.44	5000	0.5 17.7	70 0.28	28		

\* PWM input frequency is 25 kHz; models without specifications at 0% PWM duty cycle have zero fan speed at 0%.

The following sensor and control options are available for selection.

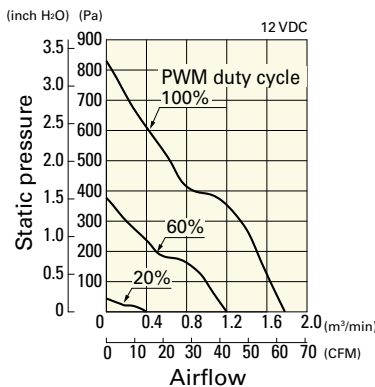
Differs according to the model. Refer to the table on p. 603. Without sensor Pulse sensor Lock sensor

The mark indicates Short Lead Time Service applicable models. See p. 626 for details.

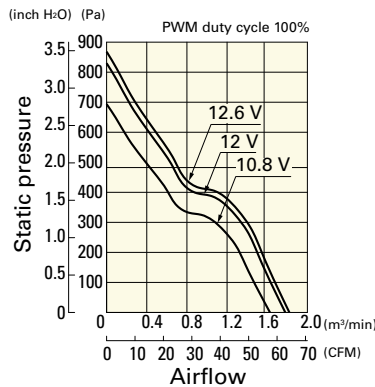
## Airflow - Static Pressure Characteristics / PWM Duty - Speed Characteristics Example

**9GA0612P1J03** With pulse sensor with PWM control function

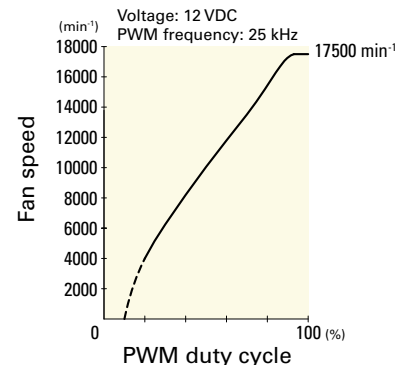
PWM duty cycle



Operating voltage range



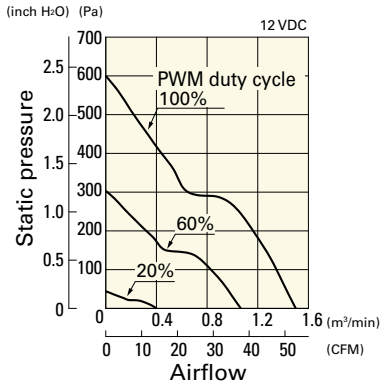
PWM duty - Speed characteristics example



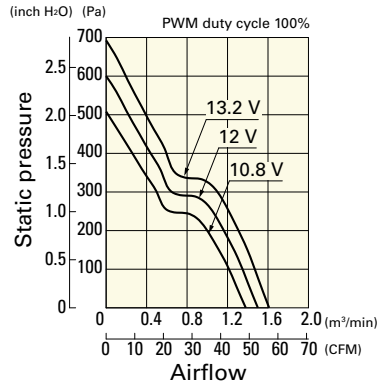
**Airflow - Static Pressure Characteristics / PWM Duty - Speed Characteristics Example**

**9GA0612P1K03** With pulse sensor with PWM control function

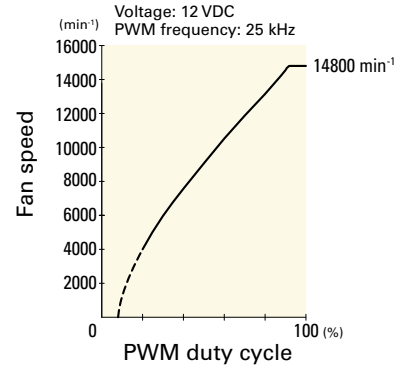
PWM duty cycle



Operating voltage range

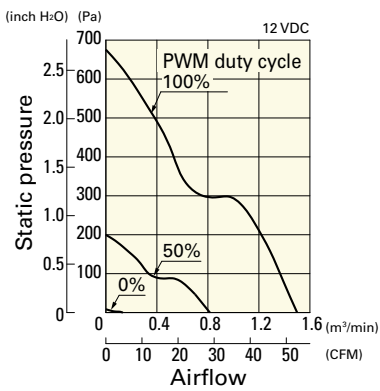


PWM duty - Speed characteristics example

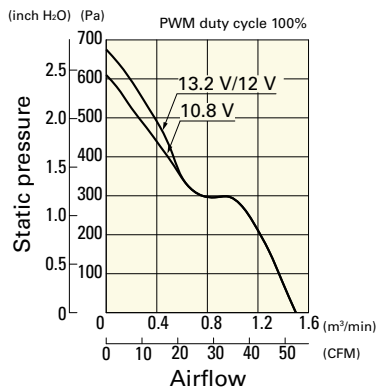


**9GA0612P1K60** With pulse sensor with PWM control function

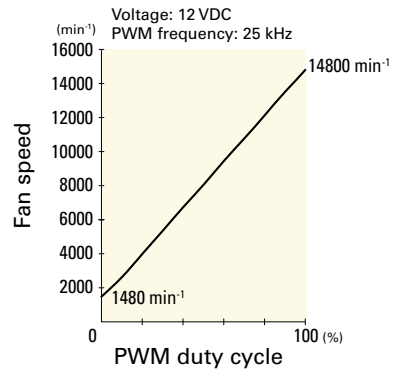
PWM duty cycle



Operating voltage range

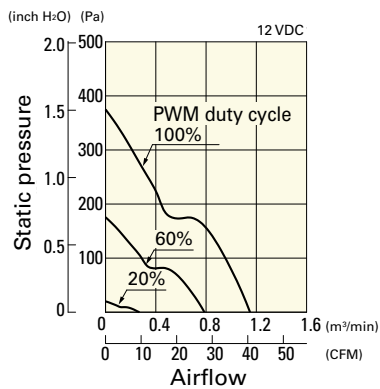


PWM duty - Speed characteristics example

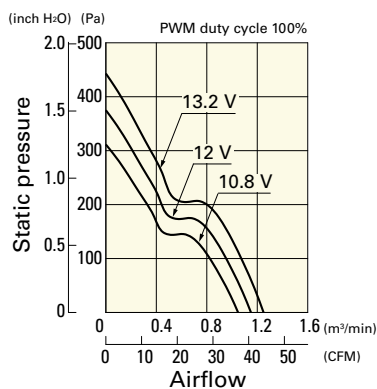


**9GA0612P1H03** With pulse sensor with PWM control function

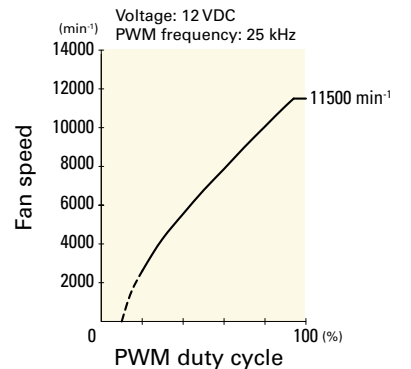
PWM duty cycle



Operating voltage range

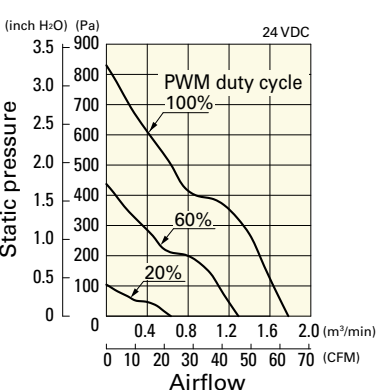


PWM duty - Speed characteristics example

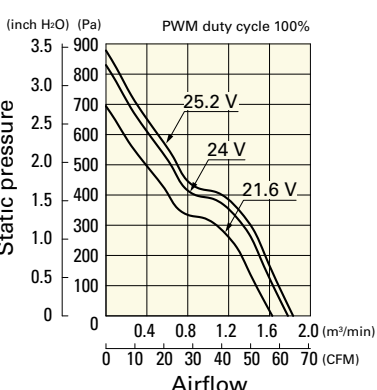


**9GA0624P1J03** With pulse sensor with PWM control function

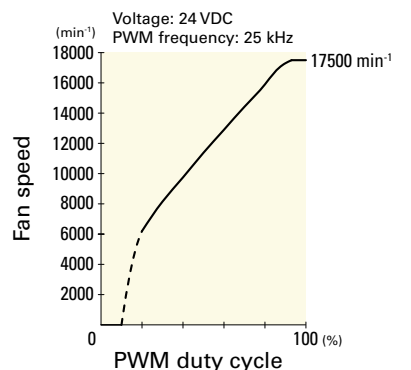
PWM duty cycle



Operating voltage range



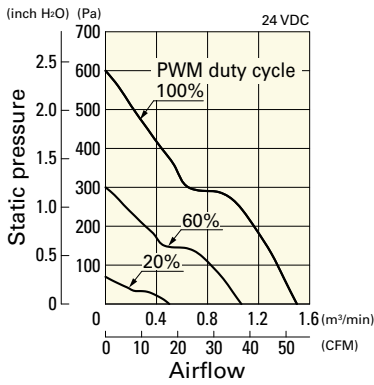
PWM duty - Speed characteristics example



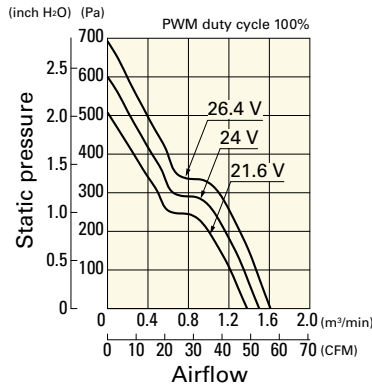
**Airflow - Static Pressure Characteristics / PWM Duty - Speed Characteristics Example**

**9GA0624P1K03** With pulse sensor with PWM control function

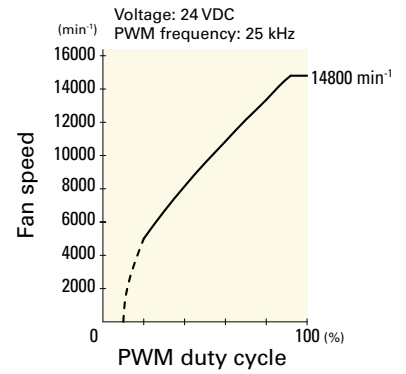
PWM duty cycle



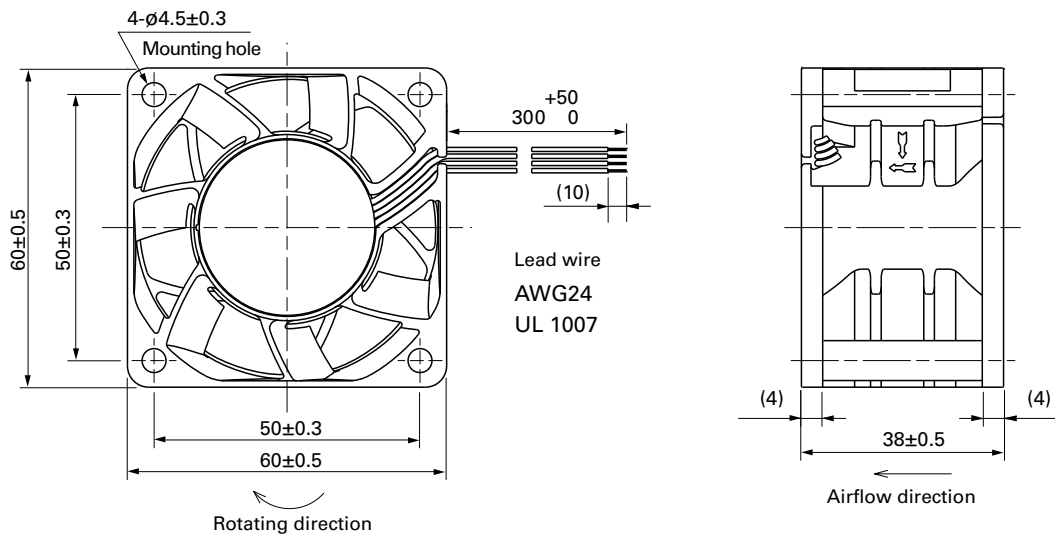
Operating voltage range



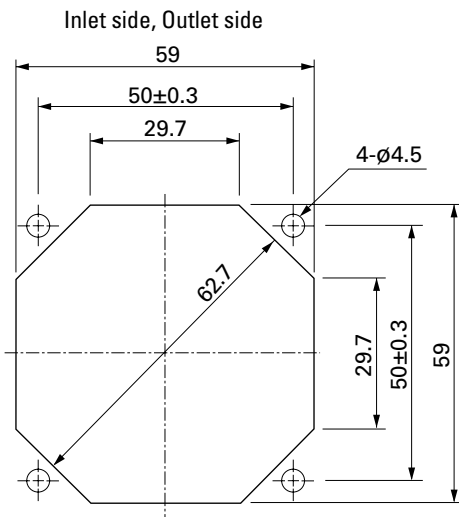
PWM duty - Speed characteristics example



**Dimensions (unit: mm) (With ribs)**



**Reference Dimensions of Mounting Holes and Vent Opening (unit: mm)**



**Options**

Finger guards

page: p. 558

Model no.: 109-139E, 109-139H

Resin finger guards

page: p. 565

Model no.: 109-1003G

Resin filter kits

page: p. 566

Model no.: 109-1003F13 (13PPI), 109-1003F20 (20PPI),  
109-1003F30 (30PPI), 109-1003F40 (40PPI)



# 60×60×38 mm

San Ace 60 9GV type

## General Specifications

- Material ..... Frame: Plastic (Flammability: UL 94V-0), Impeller: Plastic (Flammability: UL 94V-1)
- Expected life ..... See the table below. (L10 life: 90% survival rate for continuous operation in free air at 60°C, rated voltage)  
Expected life at 40°C is for reference only.
- Motor protection function ..... Locked rotor burnout protection, Reverse polarity protection  
For details, please refer to p. 573.
- Dielectric strength ..... 50/60 Hz, 500 VAC, for 1 minute (between lead wire conductors and frame)
- Insulation resistance ..... 10 MΩ or more with a 500 VDC megger (between lead wire conductors and frame)
- Sound pressure level (SPL) ..... At 1 m away from the air inlet
- Storage temperature ..... -30 to +70°C (Non-condensing)
- Lead wire ..... ⊕Red ⊖Black Sensor Yellow Control Brown
- Mass ..... 130 g

## Specifications

The models listed below **have ribs and pulse sensors with PWM control function.** For models without ribs, append "1" to the end of model numbers.

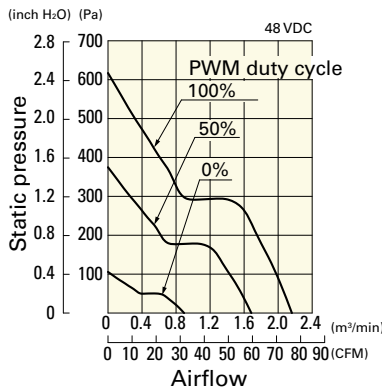
Model no.	Rated voltage [V]	Operating voltage range [V]	PWM duty cycle* [%]	Rated current [A]	Rated input [W]	Rated speed [min <sup>-1</sup> ]	Max. airflow [m <sup>3</sup> /min] [CFM]	Max. static pressure [Pa] [inchH <sub>2</sub> O]	SPL [dB (A)]	Operating temperature [°C]	Expected life [h]
9GV0648P1H03	48	38 to 57	100	0.5	24	14500	2.15 76	617 2.48	63	-20 to +70	40000/60°C (70000/40°C)
			0	0.08	3.84	6000	0.89 31	105 0.42	38		

\* PWM input frequency is 25 kHz; models without specifications at 0% PWM duty cycle have zero fan speed at 0%.

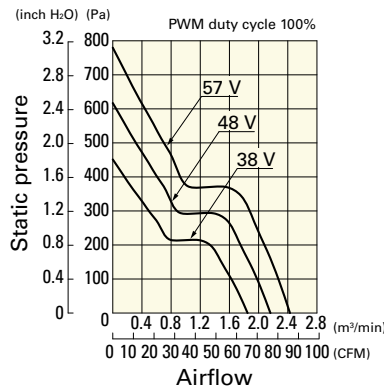
## Airflow - Static Pressure Characteristics / PWM Duty - Speed Characteristics Example

**9GV0648P1H03** With pulse sensor with PWM control function

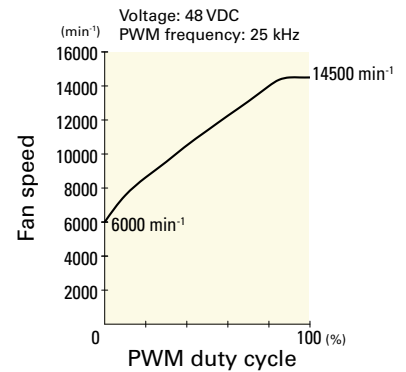
PWM duty cycle



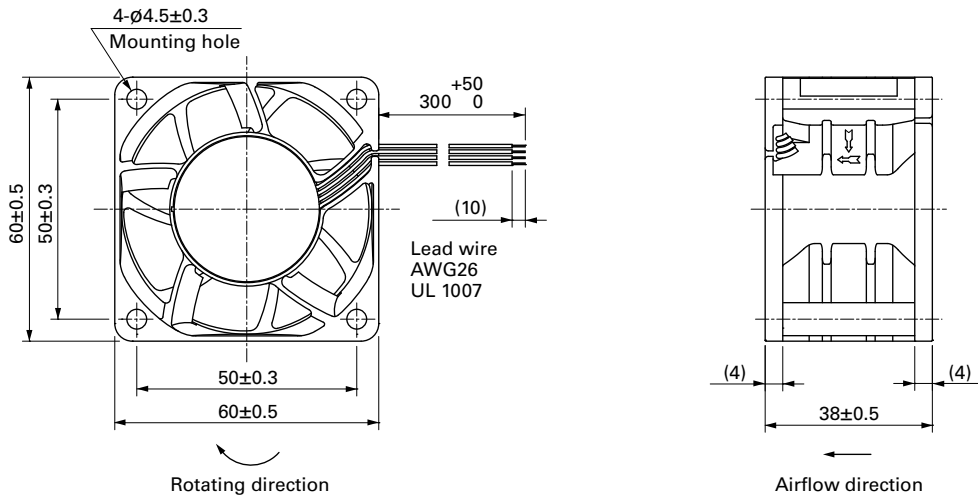
Operating voltage range



PWM duty - Speed characteristics example

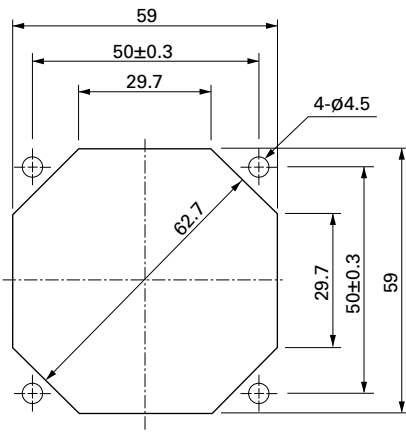


**Dimensions (unit: mm)** (With ribs)



**Reference Dimensions of Mounting Holes and Vent Opening (unit: mm)**

Inlet side, Outlet side



**Options**

**Finger guards**

page: p. 558

Model no.: 109-139E, 109-139H

**Resin finger guards**

page: p. 565

Model no.: 109-1003G

**Resin filter kits**

page: p. 566

Model no.: 109-1003F13 (13PPI), 109-1003F20 (20PPI),  
109-1003F30 (30PPI), 109-1003F40 (40PPI)





# 70x70x38 mm

**San Ace 70 9GA type** Low Power Consumption Fan

## General Specifications

- Material ..... Frame: Plastic (Flammability: UL 94V-0), Impeller: Plastic (Flammability: UL 94V-0)
- Expected life ..... See the table below. (L10 life: 90% survival rate for continuous operation in free air at 60°C, rated voltage)  
Expected life at 40°C is for reference only.
- Motor protection function ..... Locked rotor burnout protection, Reverse polarity protection  
For details, please refer to p. 573.
- Dielectric strength ..... 50/60 Hz, 500 VAC, for 1 minute (between lead wire conductors and frame)
- Insulation resistance ..... 10 MΩ or more with a 500 VDC megger (between lead wire conductors and frame)
- Sound pressure level (SPL) ..... At 1 m away from the air inlet
- Storage temperature ..... -30 to +70°C (Non-condensing)
- Lead wire ..... ⊕Red ⊖Black  Sensor  Yellow  Control  Brown
- Mass ..... 170 g

## Specifications

The models listed below **have ribs and pulse sensors with PWM control function.** For models without ribs, append "1" to the end of model numbers.

Model no.	Rated voltage [V]	Operating voltage range [V]	PWM duty cycle* [%]	Rated current [A]	Rated input [W]	Rated speed [min <sup>-1</sup> ]	Max. airflow [m <sup>3</sup> /min] [CFM]	Max. static pressure [Pa] [inchH <sub>2</sub> O]	SPL [dB (A)]	Operating temperature [°C]	Expected life [h]
9GA0712P1G001	12	10.8 to 13.2	100	2.6	31.2	16500	2.65 93.6	860 3.45	65	-20 to +70	40000/60°C (70000/40°C)
			0	0.16	1.92	4400	0.7 24.7	61 0.24	30		
9GA0712P1H001	12	10.8 to 13.2	100	1.1	13.2	12000	1.92 67.8	455 1.83	57		
			0	0.07	0.84	2500	0.4 14.1	20 0.08	19		

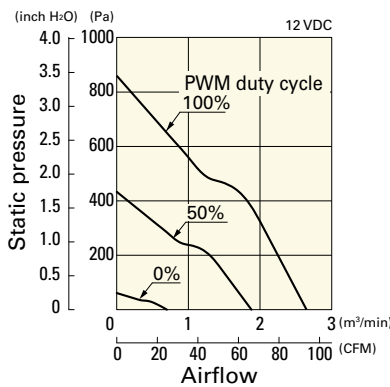
\* PWM input frequency is 25 kHz; models without specifications at 0% PWM duty cycle have zero fan speed at 0%.

The mark indicates Short LeadTime Service applicable models. See p. 626 for details.

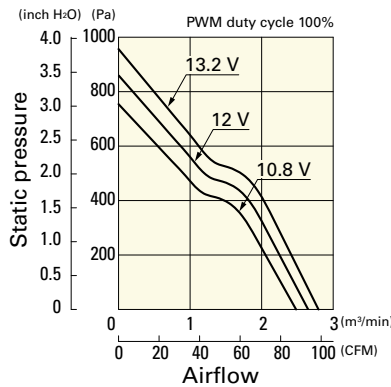
## Airflow - Static Pressure Characteristics / PWM Duty - Speed Characteristics Example

**9GA0712P1G001** With pulse sensor with PWM control function

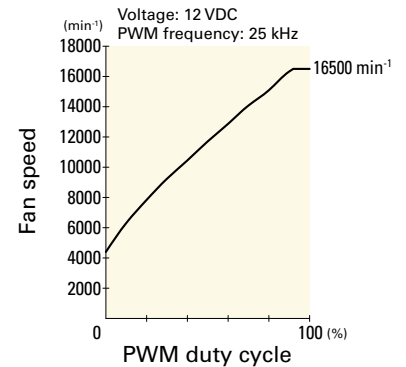
PWM duty cycle



Operating voltage range



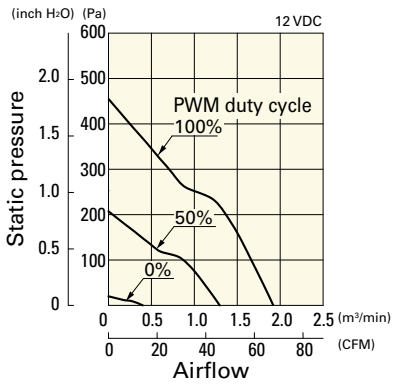
PWM duty - Speed characteristics example



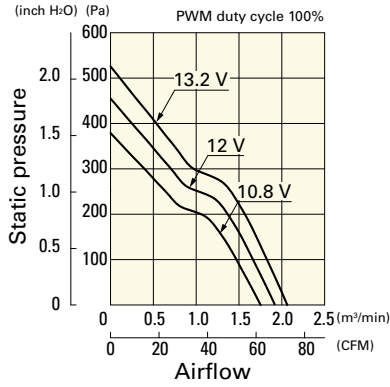
**Airflow - Static Pressure Characteristics / PWM Duty - Speed Characteristics Example**

**9GA0712P1H001** With pulse sensor with PWM control function

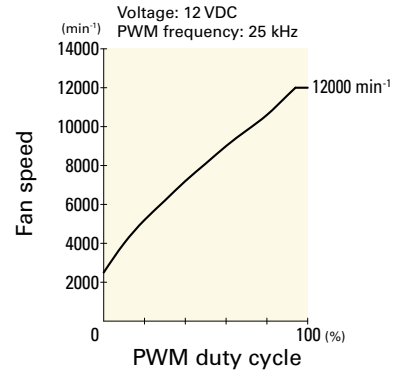
PWM duty cycle



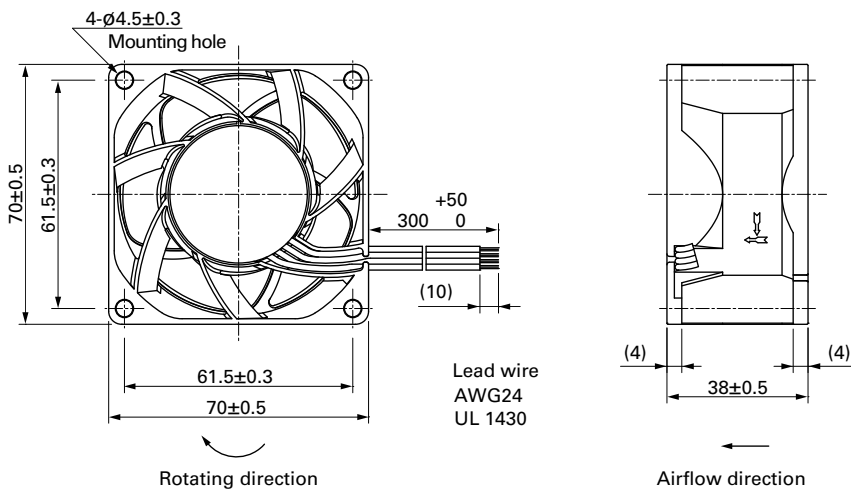
Operating voltage range



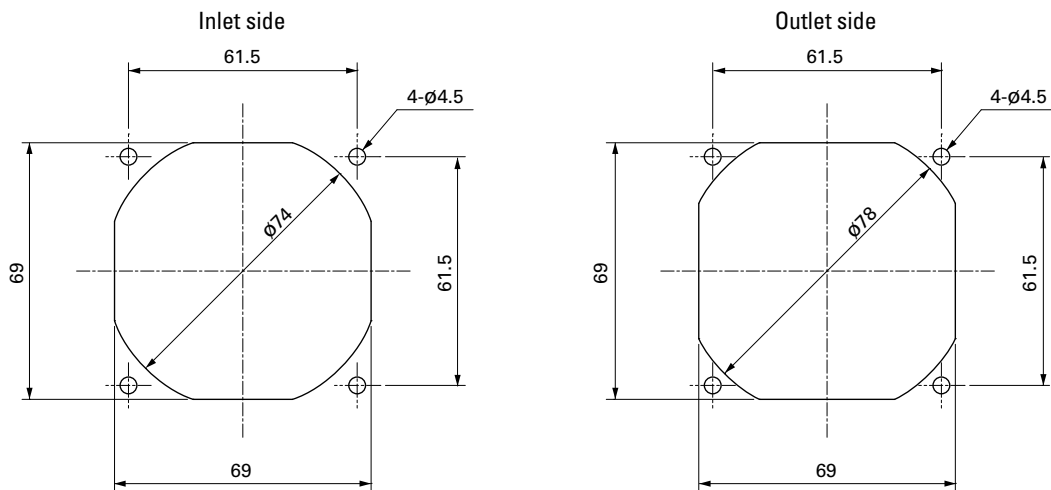
PWM duty - Speed characteristics example



**Dimensions (unit: mm) (With ribs)**



**Reference Dimensions of Mounting Holes and Vent Opening (unit: mm)**




**Options**

Finger guards page: p. 558

Model no.: 109-1128

# 80x80x15 mm

San Ace 80 9GA type Low Power Consumption Fan 



## General Specifications

- Material ..... Frame: Plastic (Flammability: UL 94V-0), Impeller: Plastic (Flammability: UL 94V-0)
- Expected life ..... See the table below. (L10 life: 90% survival rate for continuous operation in free air at 60°C, rated voltage) Expected life at 40°C is for reference only.
- Motor protection function ..... Locked rotor burnout protection, Reverse polarity protection  
For details, please refer to p. 573.
- Dielectric strength ..... 50/60 Hz, 500 VAC, for 1 minute (between lead wire conductors and frame)
- Insulation resistance ..... 10 MΩ or more with a 500 VDC megger (between lead wire conductors and frame)
- Sound pressure level (SPL) ..... At 1 m away from the air inlet
- Storage temperature ..... -30 to +70°C (Non-condensing)
- Lead wire ..... ⊕Red ⊖Black (Sensor) Yellow (Control) Brown  
(For models without PWM control function, there is no speed control wiring.)
- Mass ..... 65 g

## Specifications

The models listed below **have ribs and pulse sensors with PWM control function.**

Model no.	Rated voltage [V]	Operating voltage range [V]	PWM duty cycle [%]	Rated current [A]	Rated input [W]	Rated speed [min <sup>-1</sup> ]	Max. airflow [m <sup>3</sup> /min] [CFM]	Max. static pressure [Pa] [inchH <sub>2</sub> O]	SPL [dB (A)]	Operating temperature [°C]	Expected life [h]
9GA0812P7G001	12	10.2 to 13.8	100	0.29	3.48	6100	1.44 50.9	84.0 0.34	41	-20 to +70	40000/60°C (70000/40°C)
9GA0812P7S001			100	0.17	2.04	5000	1.18 41.7	56.4 0.23	37		
9GA0824P7G001	24	20.4 to 27.6	100	0.13	3.12	6100	1.44 50.9	84.0 0.34	41		
9GA0824P7S001			100	0.08	1.92	5000	1.18 41.7	56.4 0.23	37		

\* PWM input frequency is 25 kHz; models without specifications at 0% PWM duty cycle have zero fan speed at 0%.

The following sensor and control options are available for selection.


Differs according to the model. Refer to the table on p. 604. Without sensor Pulse sensor Lock sensor

The models listed below **have ribs and pulse sensors.**

Model no.	Rated voltage [V]	Operating voltage range [V]	Rated current [A]	Rated input [W]	Rated speed [min <sup>-1</sup> ]	Max. airflow [m <sup>3</sup> /min] [CFM]	Max. static pressure [Pa] [inchH <sub>2</sub> O]	SPL [dB (A)]	Operating temperature [°C]	Expected life [h]
9GA0812H7001	12	6 to 13.2	0.09	1.08	3800	0.89 31.4	32.6 0.13	29	-20 to +70	40000/60°C (70000/40°C)
9GA0824H7001	24	12 to 26.4	0.05	1.2	3800	0.89 31.4	32.6 0.13	29		

The following sensor and control options are available for selection.

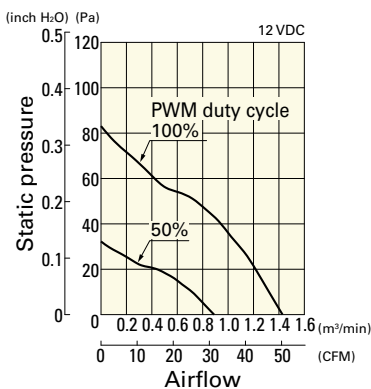
Available for all models. Without sensor Lock sensor

The  mark indicates Short Lead Time Service applicable models. See p. 626 for details.

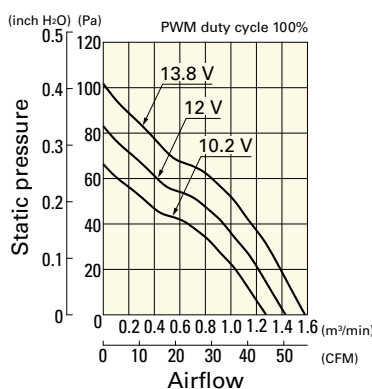
## Airflow - Static Pressure Characteristics / PWM Duty - Speed Characteristics Example

**9GA0812P7G001** With pulse sensor with PWM control function

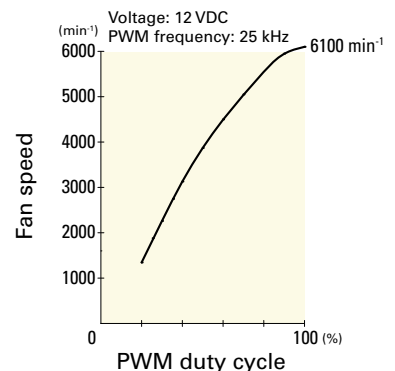
PWM duty cycle



Operating voltage range



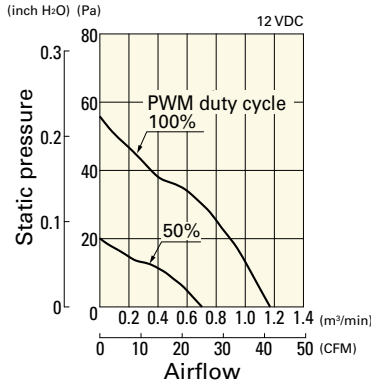
PWM duty - Speed characteristics example



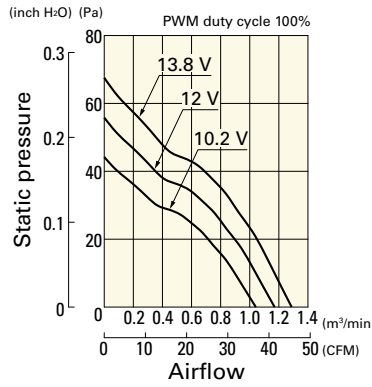
**Airflow - Static Pressure Characteristics / PWM Duty - Speed Characteristics Example**

**9GA0812P7S001** With pulse sensor with PWM control function

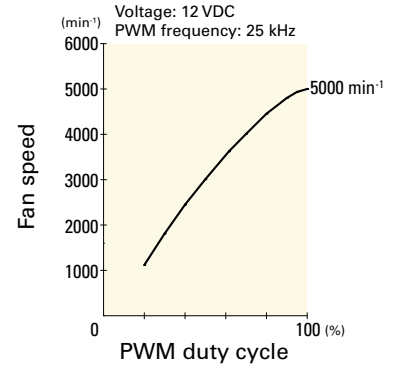
PWM duty cycle



Operating voltage range

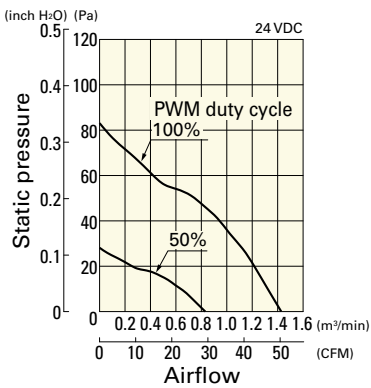


PWM duty - Speed characteristics example

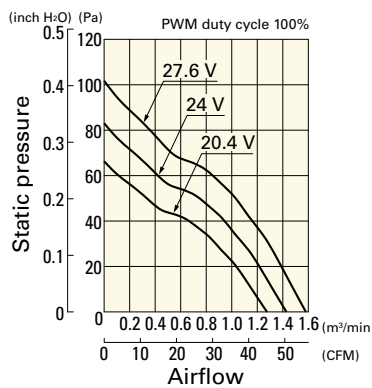


**9GA0824P7G001** With pulse sensor with PWM control function

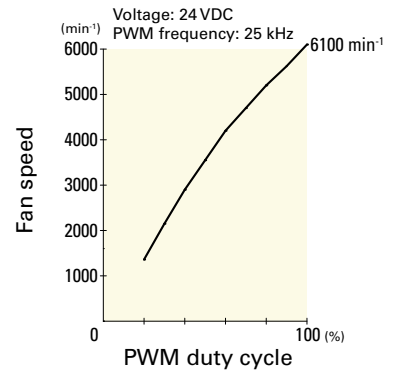
PWM duty cycle



Operating voltage range

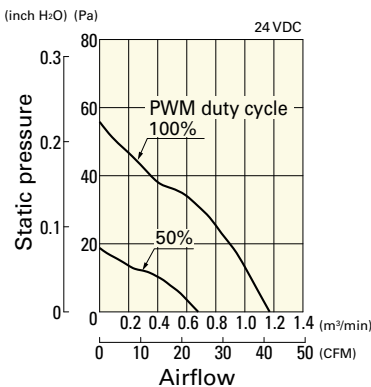


PWM duty - Speed characteristics example

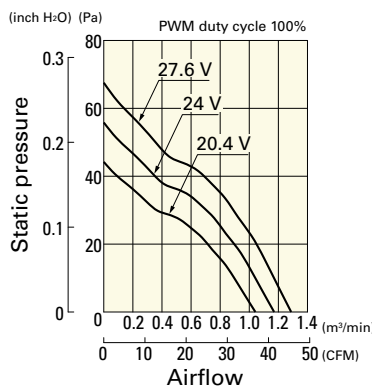


**9GA0824P7S001** With pulse sensor with PWM control function

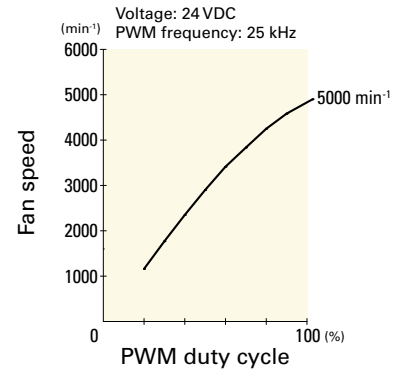
PWM duty cycle



Operating voltage range



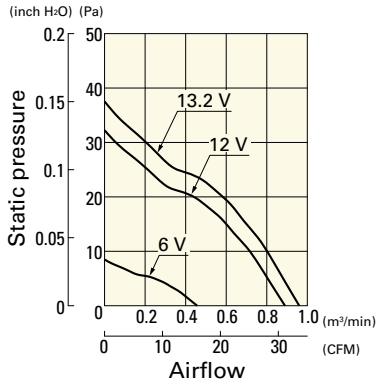
PWM duty - Speed characteristics example



**Airflow - Static Pressure Characteristics**

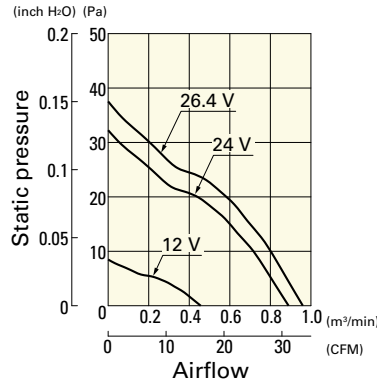
**9GA0812H7001** With pulse sensor

Operating voltage range

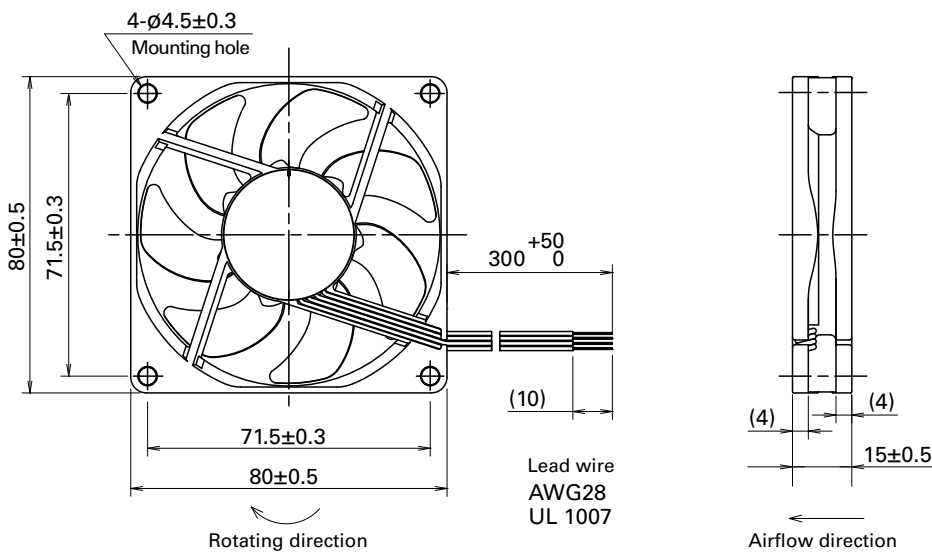


**9GA0824H7001** With pulse sensor

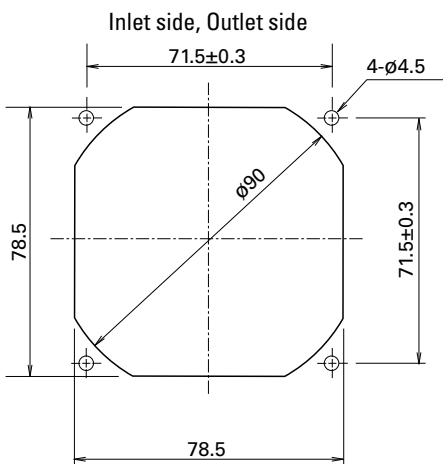
Operating voltage range



**Dimensions (unit: mm)** (With pulse sensor with PWM control function)



**Reference Dimensions of Mounting Holes and Vent Opening (unit: mm)**



**Options**

Finger guards

page: p. 558

Model no.: 109-049E, 109-049H, 109-049C

Resin finger guards

page: p. 565

Model no.: 109-1002G

Resin filter kits

page: p. 566

Model no.: 109-1002F13 (13PPI), 109-1002F20 (20PPI),  
109-1002F30 (30PPI), 109-1002F40 (40PPI)

DC Fan

# 80×80×15 mm

San Ace 80 9P<sub>type</sub>   



## General Specifications

- Material ..... Frame: Plastic (Flammability: UL 94V-0), Impeller: Plastic (Flammability: UL 94V-1)
- Expected life ..... See the table below. (L10 life: 90% survival rate for continuous operation in free air at 60°C, rated voltage)  
Expected life at 40°C is for reference only.
- Motor protection function ..... Locked rotor burnout protection, Reverse polarity protection  
For details, please refer to p. 573.
- Dielectric strength ..... 50/60 Hz, 500 VAC, for 1 minute (between lead wire conductors and frame)
- Insulation resistance ..... 10 MΩ or more with a 500 VDC megger (between lead wire conductors and frame)
- Sound pressure level (SPL) ..... At 1 m away from the air inlet
- Storage temperature ..... -30 to +70°C (Non-condensing)
- Lead wire ..... ⊕Red ⊖Black or Blue Sensor Yellow
- Mass ..... 68 g

## Specifications

The models listed below **have ribs and pulse sensors.**

Model no.	Rated voltage [V]	Operating voltage range [V]	Rated current [A]	Rated input [W]	Rated speed [min <sup>-1</sup> ]	Max. airflow [m <sup>3</sup> /min] [CFM]	Max. static pressure [Pa] [inchH <sub>2</sub> O]	SPL [dB (A)]	Operating temperature [°C]	Expected life [h]
▶▶ 109P0812H701	12	7 to 13.8	0.2	2.4	3100	0.91 32.1	29.4 0.118	31	-20 to +70	40000/60°C (70000/40°C)
▶▶ 109P0812M701			0.09	1.08	2000	0.57 20.1	12.6 0.051	21		60000/60°C (90000/40°C)
▶▶ 109P0824H701	24	14 to 27.6	0.1	2.4	3100	0.91 32.1	29.4 0.118	31		40000/60°C (70000/40°C)
▶▶ 109P0824M701			0.05	1.2	2000	0.57 20.1	12.6 0.051	21		60000/60°C (90000/40°C)

The following sensor and control options are available for selection.

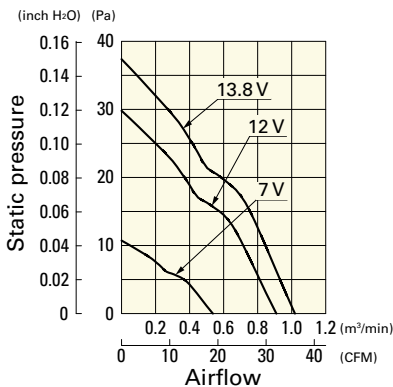
Available for all models. Without sensor Lock sensor

The ▶▶ mark indicates Short LeadTime Service applicable models. See p. 626 for details.

## Airflow - Static Pressure Characteristics

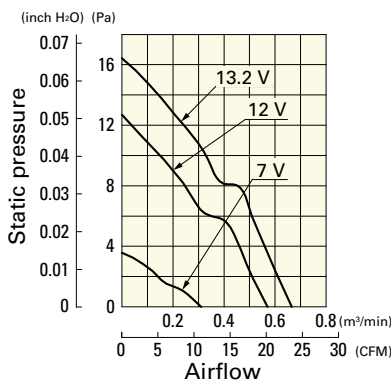
**109P0812H701** With pulse sensor

Operating voltage range



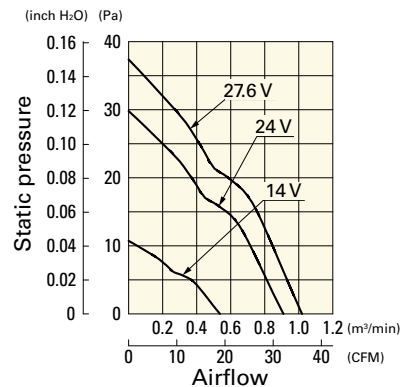
**109P0812M701** With pulse sensor

Operating voltage range



**109P0824H701** With pulse sensor

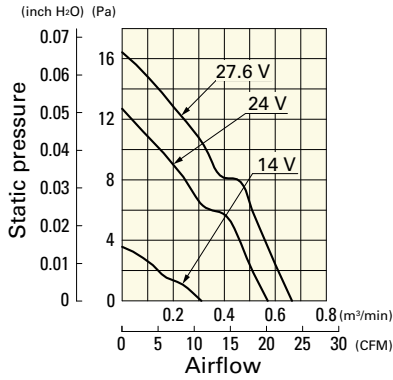
Operating voltage range



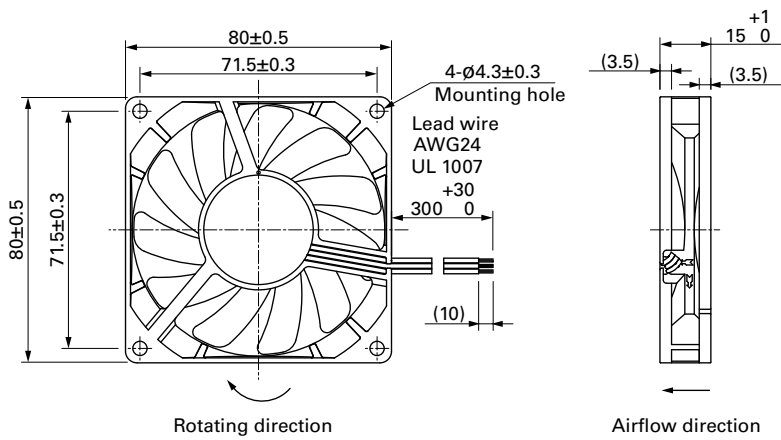
**Airflow - Static Pressure Characteristics**

**109P0824M701** With pulse sensor

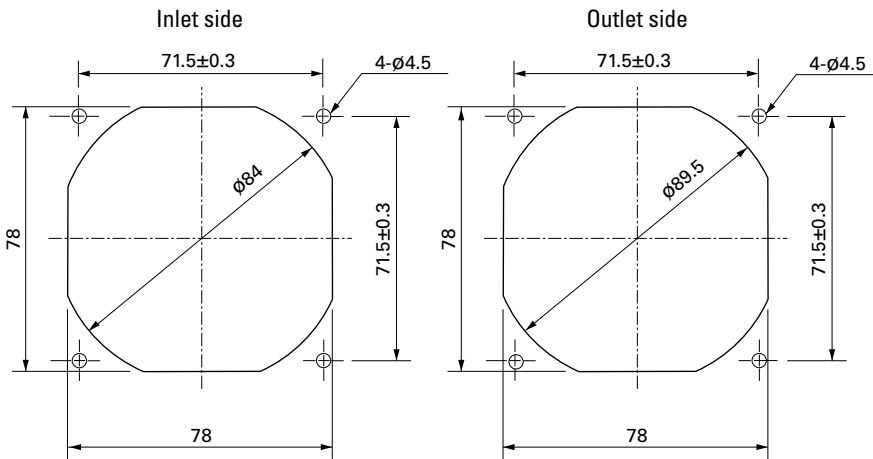
Operating voltage range



**Dimensions (unit: mm)**



**Reference Dimensions of Mounting Holes and Vent Opening (unit: mm)**



**Options**

Finger guards

page: p. 558

Model no.: 109-049E, 109-049H, 109-049C

Resin finger guards

page: p. 565

Model no.: 109-1002G

Resin filter kits

page: p. 566

Model no.: 109-1002F13 (13PPI), 109-1002F20 (20PPI),  
109-1002F30 (30PPI), 109-1002F40 (40PPI)



# 80x80x20 mm

**San Ace 80 9GA type** Low Power Consumption Fan

## General Specifications

- Material ..... Frame: Plastic (Flammability: UL 94V-0), Impeller: Plastic (Flammability: UL 94V-0)
- Expected life ..... See the table below. (L10 life: 90% survival rate for continuous operation in free air at 60°C, rated voltage)  
Expected life at 40°C is for reference only.
- Motor protection function ..... Locked rotor burnout protection, Reverse polarity protection  
For details, please refer to p. 573.
- Dielectric strength ..... 50/60 Hz, 500 VAC, for 1 minute (between lead wire conductors and frame)
- Insulation resistance ..... 10 MΩ or more with a 500 VDC megger (between lead wire conductors and frame)
- Sound pressure level (SPL) ..... At 1 m away from the air inlet
- Storage temperature ..... -30 to +70°C (Non-condensing)
- Lead wire ..... ⊕Red ⊖Black  Sensor  Yellow  Control  Brown
- Mass ..... 80 g

## Specifications

The models listed below **have ribs and pulse sensors with PWM control function.**

Model no.	Rated voltage [V]	Operating voltage range [V]	PWM duty cycle* [%]	Rated current [A]	Rated input [W]	Rated speed [min <sup>-1</sup> ]	Max. airflow [m <sup>3</sup> /min] [CFM]	Max. static pressure [Pa] [inchH <sub>2</sub> O]	SPL [dB (A)]	Operating temperature [°C]	Expected life [h]
9GA0812P6G001	12	10.2 to 13.8	100	0.3	3.6	5850	1.72 60.78	110 0.44	45	-20 to +70	40000/60°C (70000/40°C)
9GA0812P6M001			100	0.06	0.72	2900	0.84 29.68	27 0.11	26.5		60000/60°C (90000/40°C)
9GA0824P6G001	24	20.4 to 27.6	100	0.15	3.6	5850	1.72 60.78	110 0.44	45		40000/60°C (70000/40°C)
9GA0824P6M001			100	0.03	0.72	2900	0.84 29.68	27 0.11	26.5		60000/60°C (90000/40°C)

\* PWM input frequency is 25 kHz; models without specifications at 0% PWM duty cycle have zero fan speed at 0%.

The following sensor and control options are available for selection.

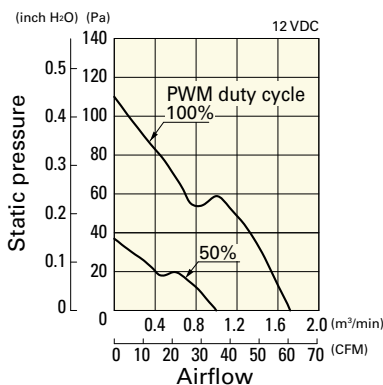
Available for all models.  Without sensor  Pulse sensor

The mark indicates Short LeadTime Service applicable models. See p. 626 for details.

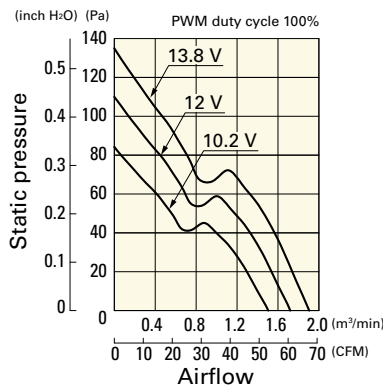
## Airflow - Static Pressure Characteristics / PWM Duty - Speed Characteristics Example

**9GA0812P6G001** With pulse sensor with PWM control function

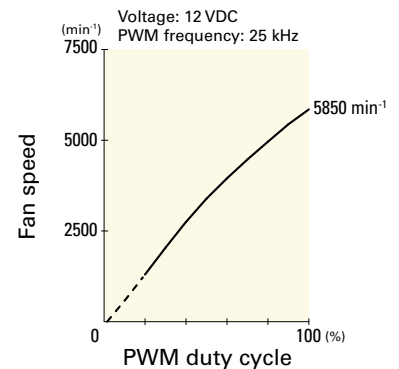
PWM duty cycle



Operating voltage range



PWM duty - Speed characteristics example

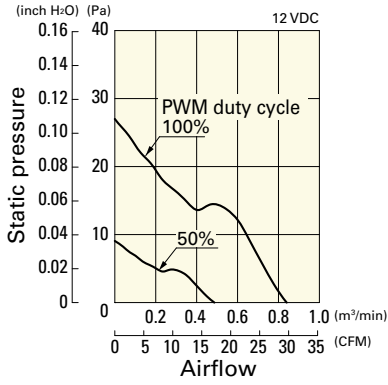




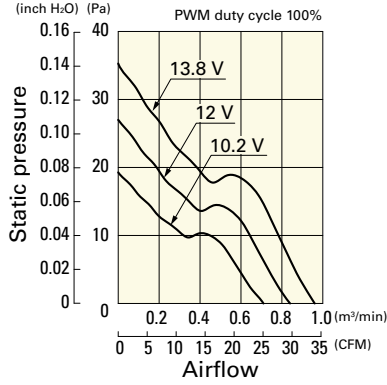
**Airflow - Static Pressure Characteristics / PWM Duty - Speed Characteristics Example**

**9GA0812P6M001** With pulse sensor with PWM control function

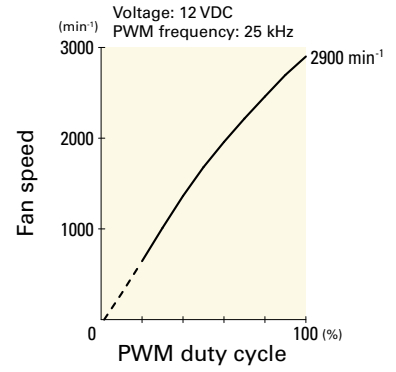
PWM duty cycle



Operating voltage range

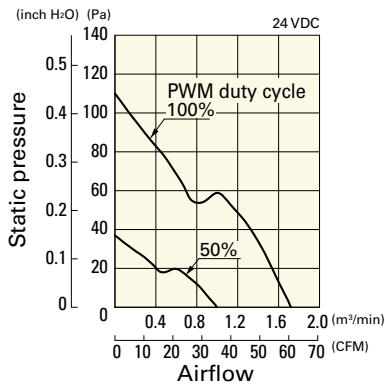


PWM duty - Speed characteristics example

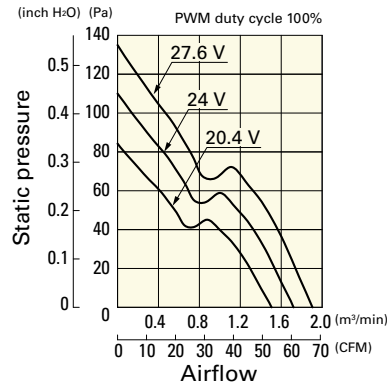


**9GA0824P6G001** With pulse sensor with PWM control function

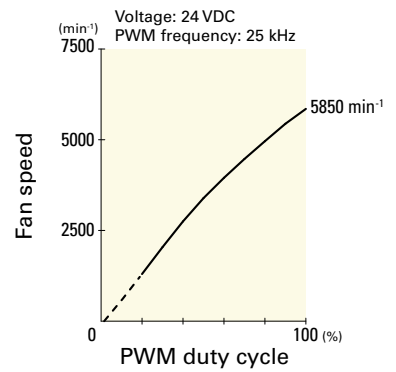
PWM duty cycle



Operating voltage range

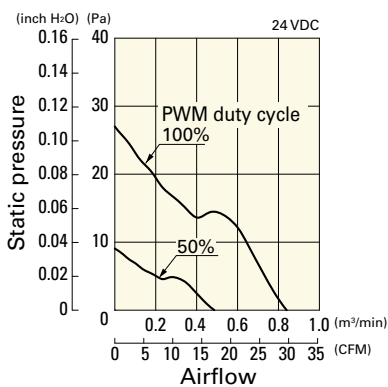


PWM duty - Speed characteristics example

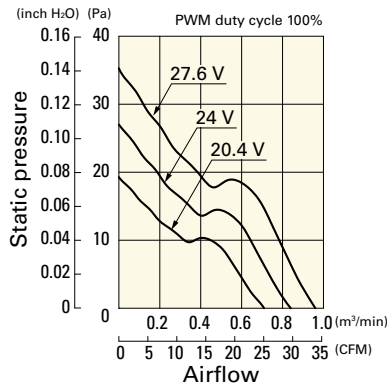


**9GA0824P6M001** With pulse sensor with PWM control function

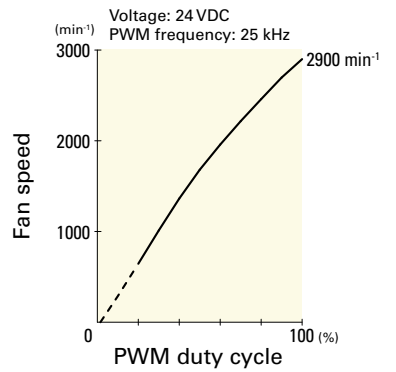
PWM duty cycle



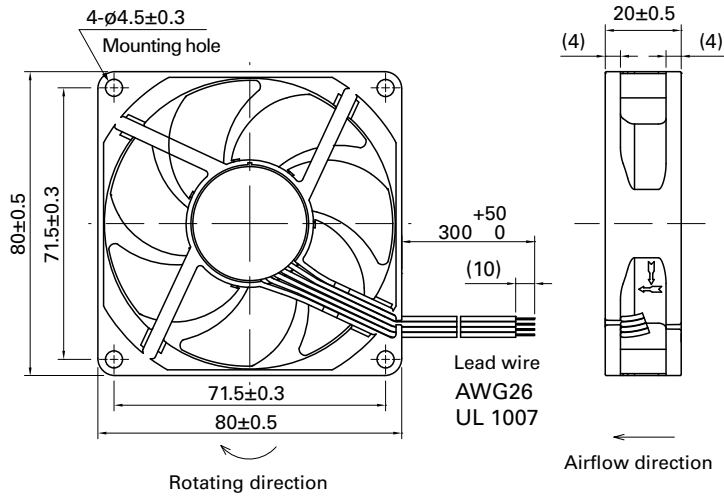
Operating voltage range



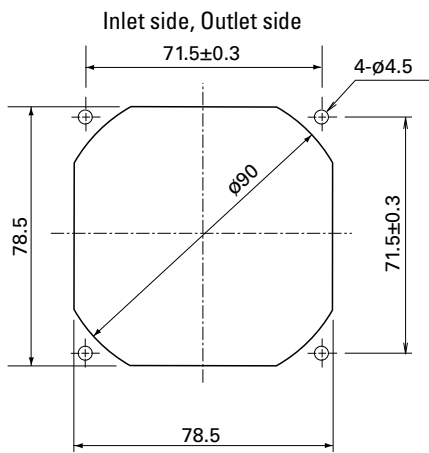
PWM duty - Speed characteristics example



**Dimensions (unit: mm)**



**Reference Dimensions of Mounting Holes and Vent Opening (unit: mm)**



**Options**

**Finger guards**

page: p. 558

Model no.: 109-049E, 109-049H, 109-049C

**Resin finger guards**

page: p. 565

Model no.: 109-1002G

**Resin filter kits**

page: p. 566

Model no.: 109-1002F13 (13PPI), 109-1002F20 (20PPI),  
109-1002F30 (30PPI), 109-1002F40 (40PPI)

# 80x80x20 mm

San Ace 80 9P<sub>type</sub>   



## General Specifications

- Material ..... Frame: Plastic (Flammability: UL 94V-0), Impeller: Plastic (Flammability: UL 94V-1)
- Expected life ..... See the table below. (L10 life: 90% survival rate for continuous operation in free air at 60°C, rated voltage)  
Expected life at 40°C is for reference only.
- Motor protection function ..... Locked rotor burnout protection, Reverse polarity protection  
For details, please refer to p. 573.
- Dielectric strength ..... 50/60 Hz, 500 VAC, for 1 minute (between lead wire conductors and frame)
- Insulation resistance ..... 10 MΩ or more with a 500 VDC megger (between lead wire conductors and frame)
- Sound pressure level (SPL) ..... At 1 m away from the air inlet
- Storage temperature ..... -30 to +70°C (Non-condensing)
- Lead wire ..... ⊕Red ⊖Black or Blue Sensor Yellow
- Mass ..... 100 g

## Specifications


The models listed below **have ribs and pulse sensors.**

Model no.	Rated voltage [V]	Operating voltage range [V]	Rated current [A]	Rated input [W]	Rated speed [min <sup>-1</sup> ]	Max. airflow [m <sup>3</sup> /min] [CFM]	Max. static pressure [Pa] [inchH <sub>2</sub> O]	SPL [dB (A)]	Operating temperature [°C]	Expected life [h]
109P0812C601	12	10.2 to 13.8	0.29	3.48	3700	1.07 37.8	46 0.185	39	-20 to +60	60000/60°C (90000/40°C)
109P0812H601			0.21	2.52	2900	0.84 29.7	29.4 0.118	31		
109P0812M601			0.13	1.56	2300	0.67 23.7	18.6 0.075	25		
109P0824H601	24	20.4 to 27.6	0.12	2.88	2900	0.84 29.7	29.4 0.118	31	-20 to +70	
109P0824M601			0.07	1.68	2300	0.67 23.7	18.6 0.075	25		
109P0848C601	48	38 to 57.6	0.08	3.84	3700	1.07 37.8	46 0.185	39	-20 to +60	
109P0848H601			0.05	2.4	2900	0.84 29.7	29.4 0.118	31		

The following sensor and control options are available for selection.

Available for all models. Lock sensor

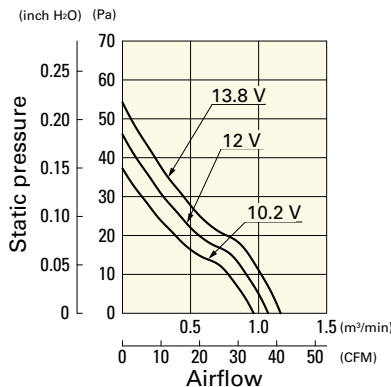
Differs according to the model. Refer to the table on p. 596. Without sensor

The  mark indicates Short Lead Time Service applicable models. See p. 626 for details.

## Airflow - Static Pressure Characteristics

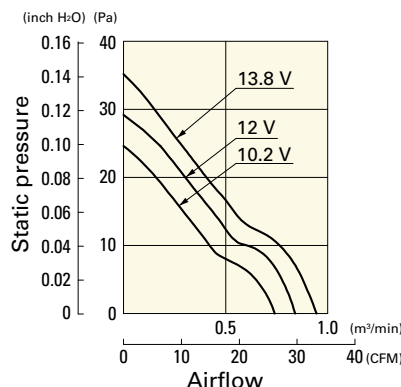
**109P0812C601** With pulse sensor

Operating voltage range



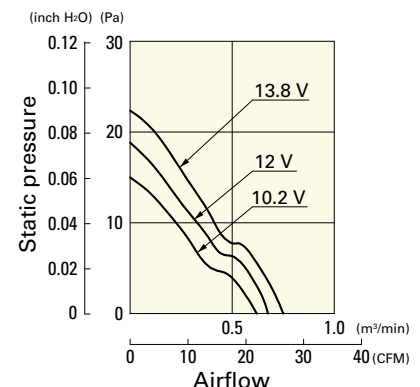
**109P0812H601** With pulse sensor

Operating voltage range



**109P0812M601** With pulse sensor

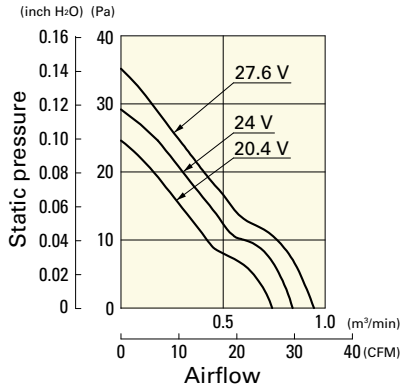
Operating voltage range



**Airflow - Static Pressure Characteristics**

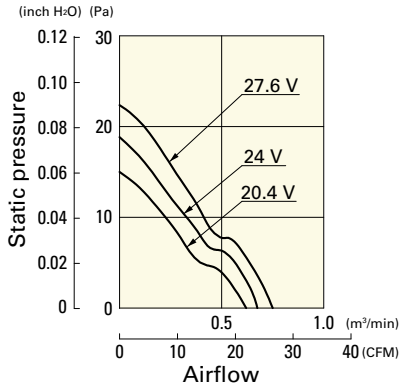
**109P0824H601** With pulse sensor

Operating voltage range



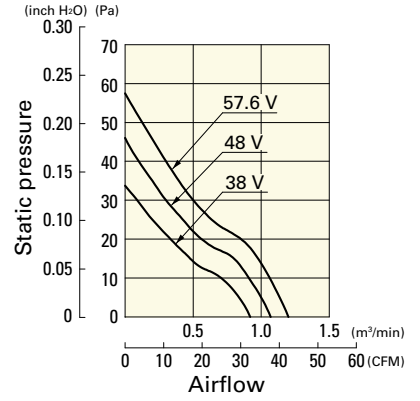
**109P0824M601** With pulse sensor

Operating voltage range



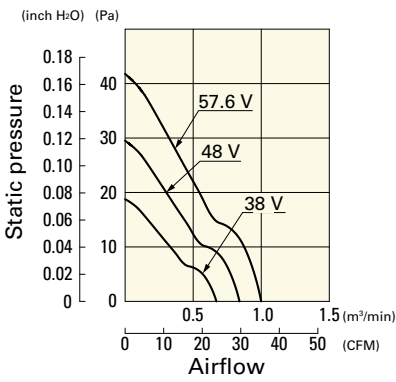
**109P0848C601** With pulse sensor

Operating voltage range

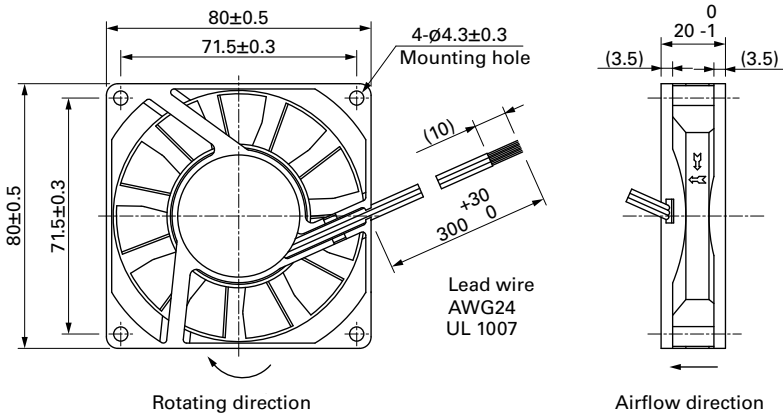


**109P0848H601** With pulse sensor

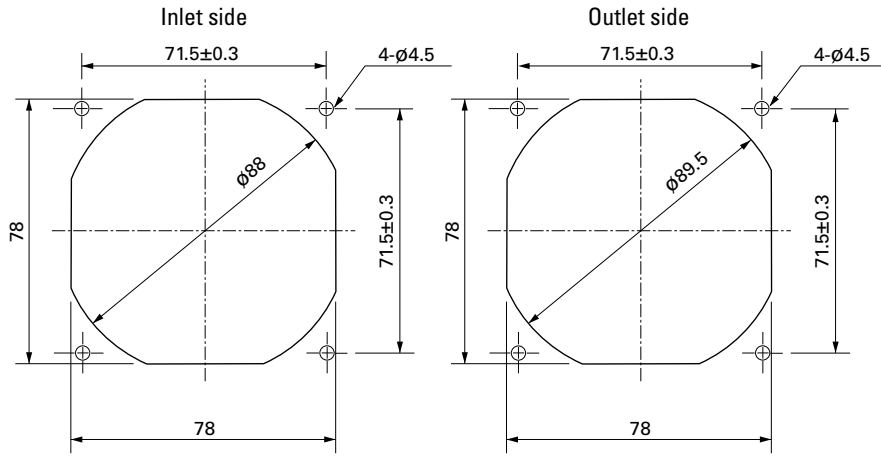
Operating voltage range



**Dimensions (unit: mm)**



**Reference Dimensions of Mounting Holes and Vent Opening (unit: mm)**



**Options**

**Finger guards**

page: p. 558

Model no.: 109-049E, 109-049H, 109-049C

**Resin finger guards**

page: p. 565

Model no.: 109-1002G

**Resin filter kits**

page: p. 566

Model no.: 109-1002F13 (13PPI), 109-1002F20 (20PPI),  
109-1002F30 (30PPI), 109-1002F40 (40PPI)

DC Fan



# 80x80x25 mm

**San Ace 80 9GA** type Low Power Consumption Fan

## General Specifications

- Material ..... Frame: Plastic (Flammability: UL 94V-0), Impeller: Plastic (Flammability: UL 94V-0)
- Expected life ..... See the table below. (L10 life: 90% survival rate for continuous operation in free air at 60°C, rated voltage)  
Expected life at 40°C is for reference only.
- Motor protection function ..... Locked rotor burnout protection, Reverse polarity protection  
For details, please refer to p. 573.
- Dielectric strength ..... 50/60 Hz, 500 VAC, for 1 minute (between lead wire conductors and frame)
- Insulation resistance ..... 10 MΩ or more with a 500 VDC megger (between lead wire conductors and frame)
- Sound pressure level (SPL) ..... At 1 m away from the air inlet
- Storage temperature ..... -30 to +70°C (Non-condensing)
- Lead wire ..... ⊕Red ⊖Black  Sensor  Yellow  Control  Brown
- Mass ..... 110 g

## Specifications

The models listed below **have ribs and pulse sensors with PWM control function.** For models without ribs, append "1" to the end of model numbers.

Model no.	Rated voltage [V]	Operating voltage range [V]	PWM duty cycle* [%]	Rated current [A]	Rated input [W]	Rated speed [min <sup>-1</sup> ]	Max. airflow [m <sup>3</sup> /min] [CFM]	Max. static pressure [Pa] [inchH <sub>2</sub> O]	SPL [dB (A)]	Operating temperature [°C]	Expected life [h]
9GA0812P4J001	12	10.8 to 13.2	100	0.6	7.2	7400	2.07 73.0	177.6 0.7	48	-20 to +70	40000/60°C (70000/40°C)
			25	0.08	0.96	2500	0.69 24.3	20.2 0.08	21		
9GA0812P4G001			100	0.48	5.76	6800	1.91 67.4	150 0.6	45		
			25	0.06	0.72	1500	0.42 14.8	7.2 0.02	17		
9GA0812P4H001			100	0.22	2.64	5200	1.46 51.5	87.7 0.35	37		
			25	0.06	0.72	1600	0.44 15.5	8.3 0.03	17		
9GA0824P4J001	24	21.6 to 26.4	100	0.28	6.72	7400	2.07 73.0	177.6 0.7	48		
			25	0.06	1.44	2800	0.78 27.5	25.4 0.1	23		
9GA0824P4G001			100	0.21	5.04	6800	1.91 67.4	150 0.6	45		
			25	0.04	0.96	2100	0.58 20.4	14.3 0.05	19		
9GA0824P4H001			100	0.1	2.4	5200	1.46 51.5	87.7 0.35	37		
			25	0.02	0.48	1500	0.42 14.8	7.2 0.02	17		

\* PWM input frequency is 25 kHz; models without specifications at 0% PWM duty cycle have zero fan speed at 0%.

The following sensor and control options are available for selection.

Available for all models.  Without sensor  Pulse sensor

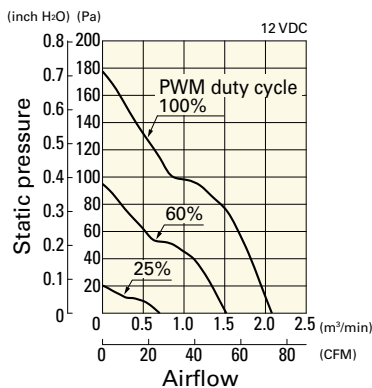
Differs according to the model. Refer to the table on pp. 603 to 604.  Lock sensor

The mark indicates Short LeadTime Service applicable models. See p. 626 for details.

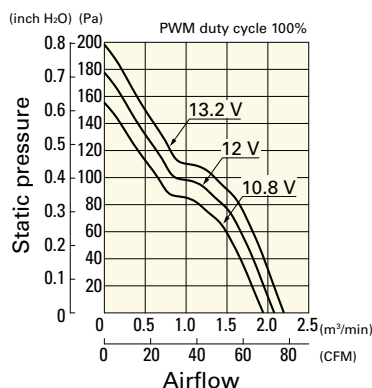
## Airflow - Static Pressure Characteristics / PWM Duty - Speed Characteristics Example

**9GA0812P4J001** With pulse sensor with PWM control function

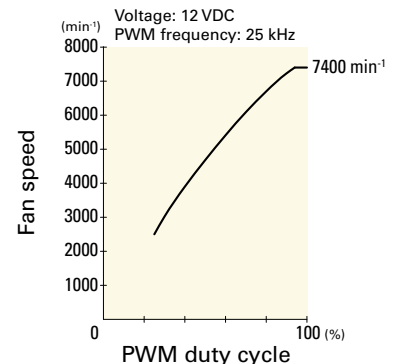
PWM duty cycle



Operating voltage range



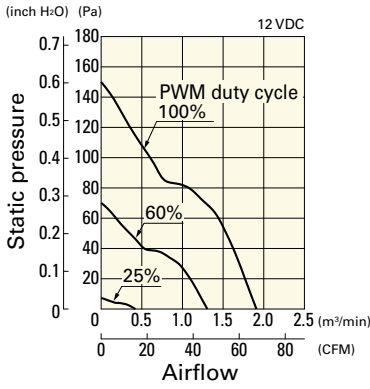
PWM duty - Speed characteristics example



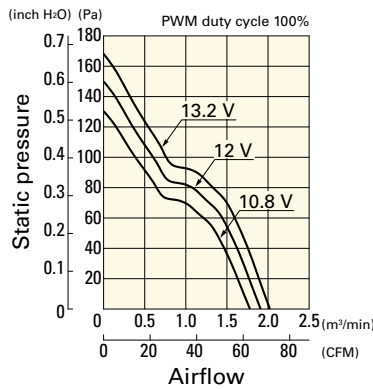
### Airflow - Static Pressure Characteristics / PWM Duty - Speed Characteristics Example

**9GA0812P4G001** With pulse sensor with PWM control function

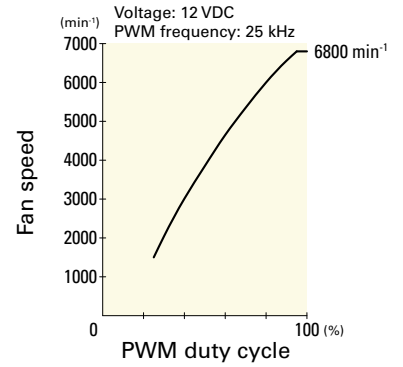
PWM duty cycle



Operating voltage range

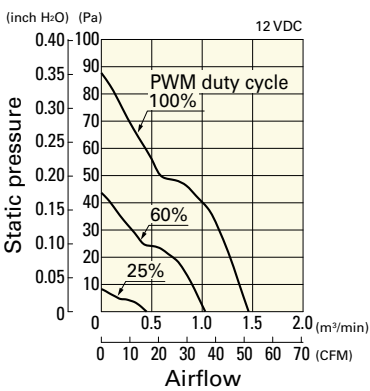


PWM duty - Speed characteristics example

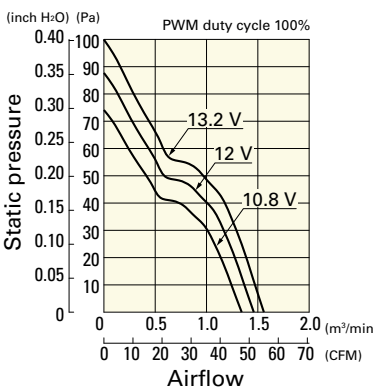


**9GA0812P4H001** With pulse sensor with PWM control function

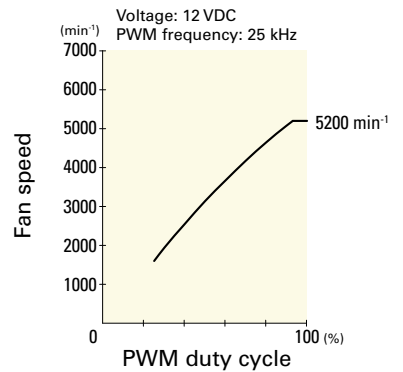
PWM duty cycle



Operating voltage range

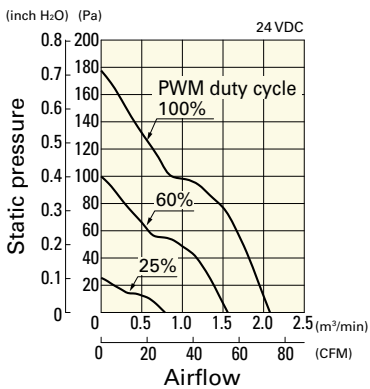


PWM duty - Speed characteristics example

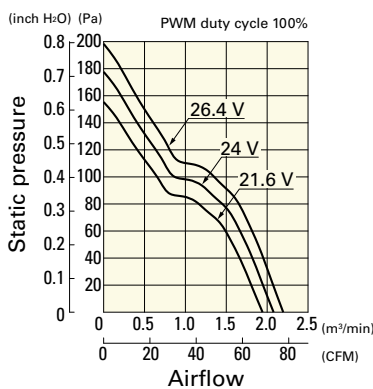


**9GA0824P4J001** With pulse sensor with PWM control function

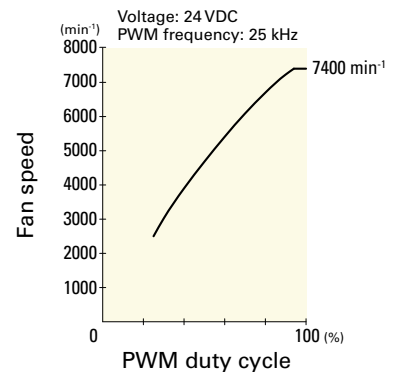
PWM duty cycle



Operating voltage range

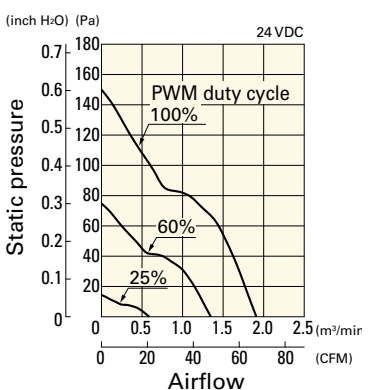


PWM duty - Speed characteristics example

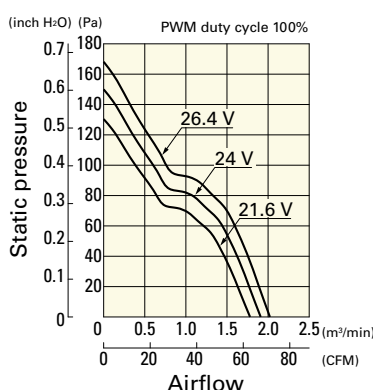


**9GA0824P4G001** With pulse sensor with PWM control function

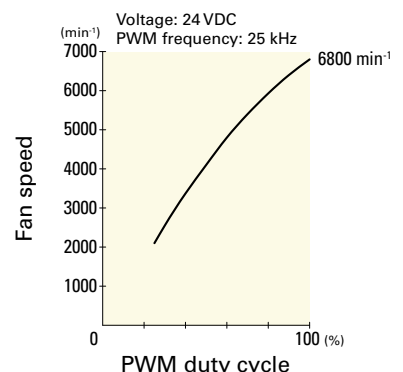
PWM duty cycle



Operating voltage range



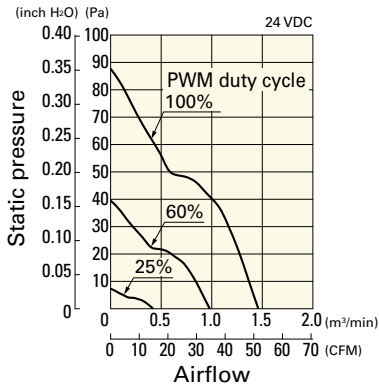
PWM duty - Speed characteristics example



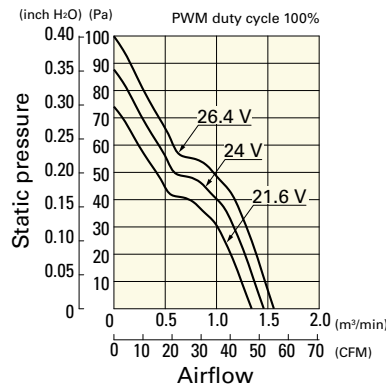
**Airflow - Static Pressure Characteristics / PWM Duty - Speed Characteristics Example**

**9GA0824P4H001** With pulse sensor with PWM control function

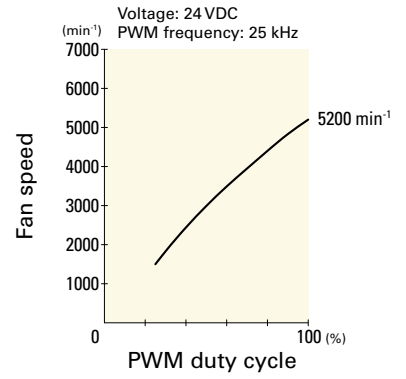
PWM duty cycle



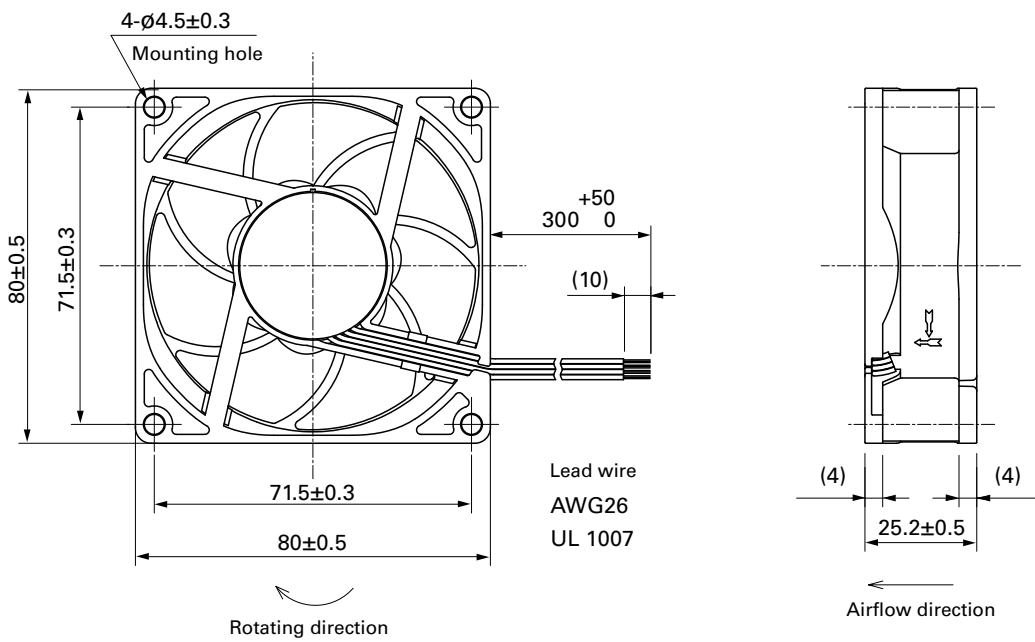
Operating voltage range



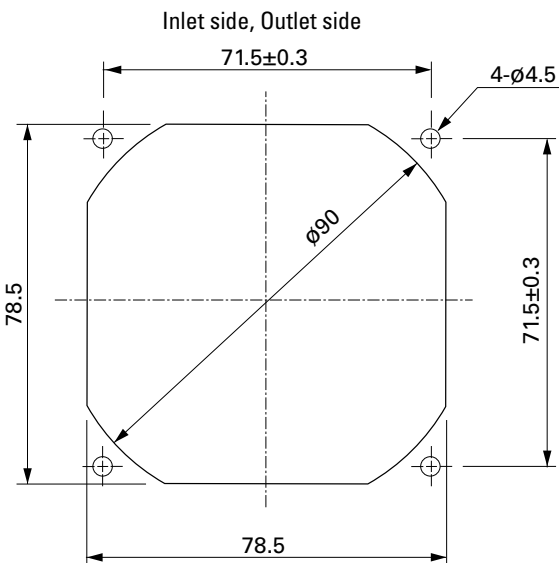
PWM duty - Speed characteristics example



**Dimensions (unit: mm) (With ribs)**



**Reference Dimensions of Mounting Holes and Vent Opening (unit: mm)**





## Options

### Finger guards

page: p. 558

Model no.: 109-049E, 109-049H, 109-049C

### Resin finger guards

page: p. 565

Model no.: 109-1002G

### Resin filter kits

page: p. 566

Model no.: 109-1002F13 (13PPI), 109-1002F20 (20PPI),  
109-1002F30 (30PPI), 109-1002F40 (40PPI)



# 80×80×25 mm

**San Ace 80 9GV** type

## General Specifications

- Material ..... Frame: Plastic (Flammability: UL 94V-0), Impeller: Plastic (Flammability: UL 94V-1)
- Expected life ..... See the table below. (L10 life: 90% survival rate for continuous operation in free air at 60°C, rated voltage)  
Expected life at 40°C is for reference only.
- Motor protection function ..... Locked rotor burnout protection, Reverse polarity protection  
For details, please refer to p. 573.
- Dielectric strength ..... 50/60 Hz, 500 VAC, for 1 minute (between lead wire conductors and frame)
- Insulation resistance ..... 10 MΩ or more with a 500 VDC megger (between lead wire conductors and frame)
- Sound pressure level (SPL) ..... At 1 m away from the air inlet
- Storage temperature ..... -30 to +70°C (Non-condensing)
- Lead wire ..... ⊕Red ⊖Black Sensor Yellow Control Brown
- Mass ..... 125 g

## Specifications

The models listed below **have ribs and pulse sensors with PWM control function.** For models without ribs, append "1" to the end of model numbers.

Model no.	Rated voltage [V]	Operating voltage range [V]	PWM duty cycle* [%]	Rated current [A]	Rated input [W]	Rated speed [min <sup>-1</sup> ]	Max. airflow [m <sup>3</sup> /min] [CFM]	Max. static pressure [Pa] [inchH <sub>2</sub> O]	SPL [dB (A)]	Operating temperature [°C]	Expected life [h]
9GV0848P4K03	48	43 to 53	100	0.22	10.56	5600	2.12 74.8	173.0 0.69	52	-20 to +70	40000/60°C (70000/40°C)
			0	0.04	1.92	1500	0.57 20.1	12.4 0.05	19		

\* PWM input frequency is 25 kHz; models without specifications at 0% PWM duty cycle have zero fan speed at 0%.

The following sensor and control options are available for selection.

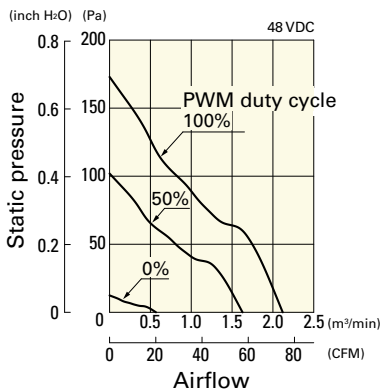
Differs according to the model. Refer to the table on p. 606. Pulse sensor

The mark indicates Short LeadTime Service applicable models. See p. 626 for details.

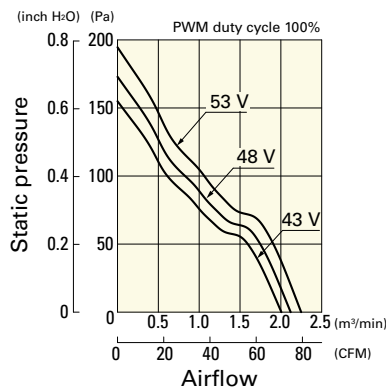
## Airflow - Static Pressure Characteristics / PWM Duty - Speed Characteristics Example

**9GV0848P4K03** With pulse sensor with PWM control function

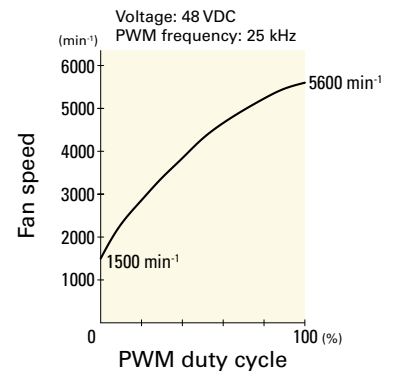
PWM duty cycle



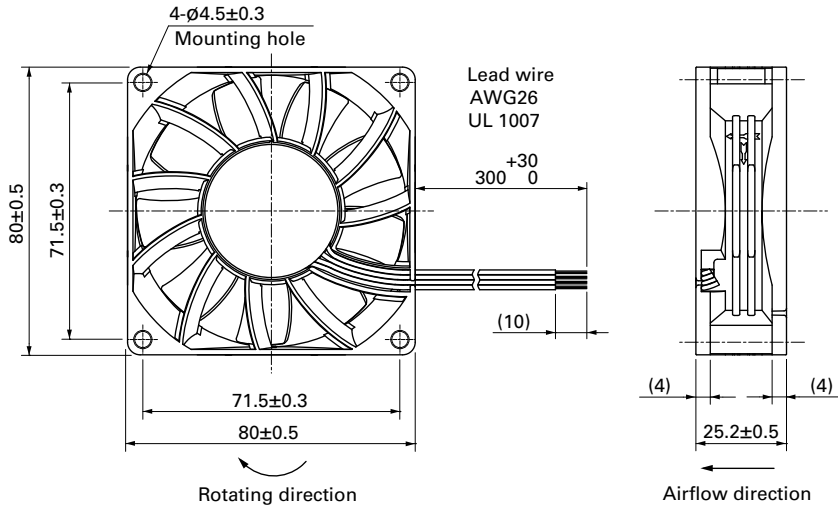
Operating voltage range



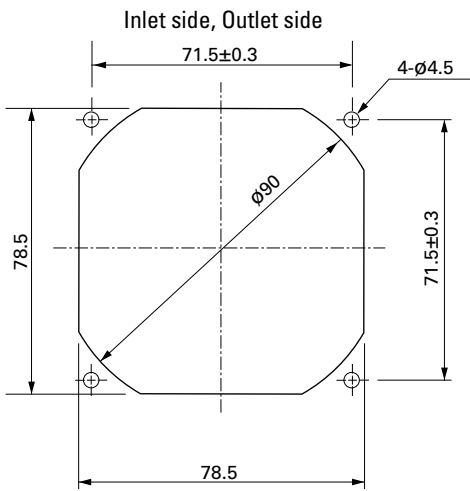
PWM duty - Speed characteristics example



**Dimensions (unit: mm)** (With ribs)



**Reference Dimensions of Mounting Holes and Vent Opening (unit: mm)**



**Options**

**Finger guards**

page: p. 558

Model no.: 109-049E, 109-049H, 109-049C

**Resin finger guards**

page: p. 565

Model no.: 109-1002G

**Resin filter kits**

page: p. 566

Model no.: 109-1002F13 (13PPI), 109-1002F20 (20PPI),  
109-1002F30 (30PPI), 109-1002F40 (40PPI)

DC Fan

# 80×80×25 mm

**San Ace 80 9R** type    Model 109R0812E401 is not certified.



## General Specifications

- Material ..... Frame: Plastic (Flammability: UL 94V-0), Impeller: Plastic (Flammability: UL 94V-1)
- Expected life ..... See the table below. (L10 life: 90% survival rate for continuous operation in free air at 60°C, rated voltage)  
Expected life at 40°C is for reference only.
- Motor protection function ..... Locked rotor burnout protection, Reverse polarity protection  
For details, please refer to p. 573.
- Dielectric strength ..... 50/60 Hz, 500 VAC, for 1 minute (between lead wire conductors and frame)
- Insulation resistance ..... 10 MΩ or more with a 500 VDC megger (between lead wire conductors and frame)
- Sound pressure level (SPL) ..... At 1 m away from the air inlet
- Storage temperature ..... -30 to +70°C (Non-condensing)
- Lead wire ..... ⊕Red ⊖Black or Blue Sensor Yellow
- Mass ..... 110 g

## Specifications

The models listed below **have ribs and pulse sensors**. For models without ribs, append "1" to the end of model numbers.

Model no.	Rated voltage [V]	Operating voltage range [V]	Rated current [A]	Rated input [W]	Rated speed [min <sup>-1</sup> ]	Max. airflow [m <sup>3</sup> /min] [CFM]	Max. static pressure [Pa] [inchH <sub>2</sub> O]	SPL [dB (A)]	Operating temperature [°C]	Expected life [h]			
» 109R0805F401	5	4.5 to 5.5	0.25	1.25	2600	0.92 32.5	28.4 0.114	26	-20 to +70	60000/60°C (90000/40°C)			
» 109R0805M401			0.17	0.85	2350	0.83 29.3	22.5 0.09	23					
» 109R0812G401	12	10.8 to 13.2	0.37	4.44	4500	1.5 53.0	80.4 0.323	40	-20 to +60	40000/60°C (70000/40°C)			
» 109R0812E401			0.24	2.88	3700	1.31 46.3	57.8 0.232	35					
» 109R0812S401		6 to 13.8	0.18	2.16	3400	1.2 42.4	48.0 0.193	34	-20 to +70	60000/60°C (90000/40°C)			
» 109R0812H401			0.13	1.56	2900	1.03 36.4	35.3 0.142	29					
» 109R0812F401			0.11	1.32	2600	0.92 32.5	28.4 0.114	26					
» 109R0812M401			0.09	1.08	2350	0.83 29.3	22.5 0.09	23					
» 109R0812L401			7 to 13.8	0.06	0.72	1850	0.65 23.0	14.7 0.059			20		
» 109R0824G401				20.4 to 26.4	0.2	4.8	4500	1.5 53.0			80.4 0.323	40	-20 to +60
» 109R0824S401		12 to 27.6	0.1		2.4	3400	1.2 42.4	48.0 0.193	34				
» 109R0824H401			0.07		1.68	2900	1.03 36.4	35.3 0.142	29				
» 109R0824F401	0.06		1.44		2600	0.92 32.5	28.4 0.114	26					
» 109R0824M401	0.05		1.2		2350	0.83 29.3	22.5 0.09	23					
» 109R0824L401	14 to 27.6	0.04	0.96		1850	0.65 23.0	14.7 0.059	20	-20 to +70	60000/60°C (90000/40°C)			
» 109R0848K401	48	40.8 to 55.2	0.1		4.8	4600	1.56 55.1	88.4 0.355			41	-20 to +60	
» 109R0848S401			0.06		2.88	3400	1.2 42.4	48.0 0.193	34	-20 to +70	60000/60°C (90000/40°C)		

The following sensor and control options are available for selection.

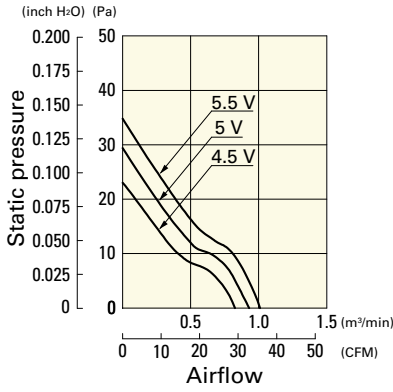
Differs according to the model. Refer to the table on p. 597. Without sensor Lock sensor

The » mark indicates Short LeadTime Service applicable models. See p. 626 for details.

# Airflow - Static Pressure Characteristics

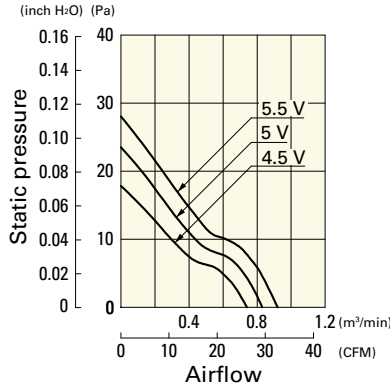
**109R0805F401** With pulse sensor

Operating voltage range



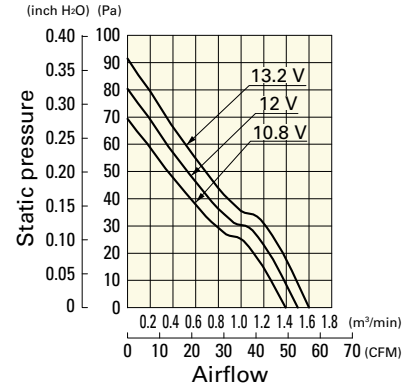
**109R0805M401** With pulse sensor

Operating voltage range



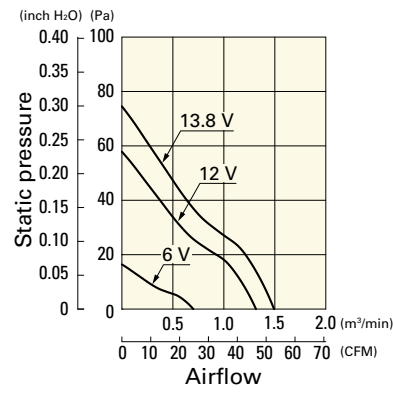
**109R0812G401** With pulse sensor

Operating voltage range



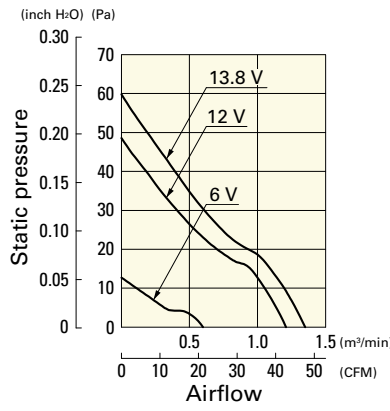
**109R0812E401** With pulse sensor

Operating voltage range



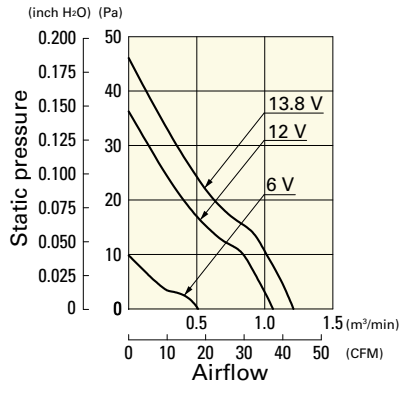
**109R0812S401** With pulse sensor

Operating voltage range



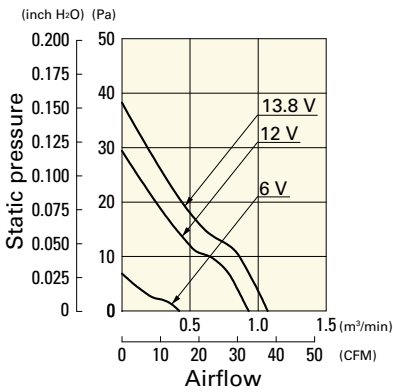
**109R0812H401** With pulse sensor

Operating voltage range



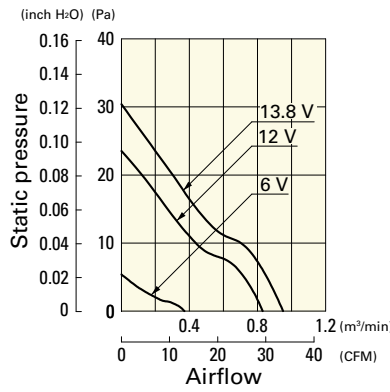
**109R0812F401** With pulse sensor

Operating voltage range



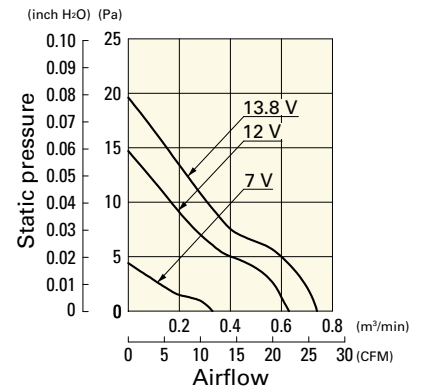
**109R0812M401** With pulse sensor

Operating voltage range



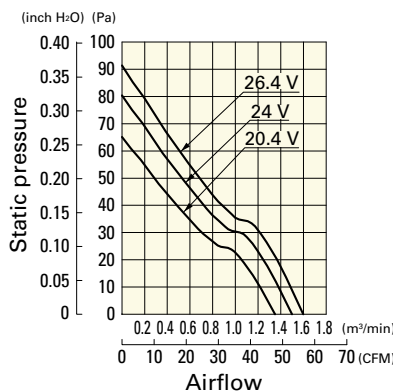
**109R0812L401** With pulse sensor

Operating voltage range



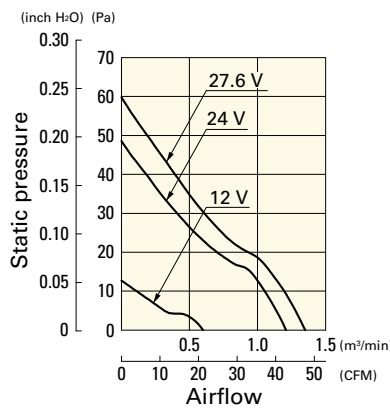
**109R0824G401** With pulse sensor

Operating voltage range



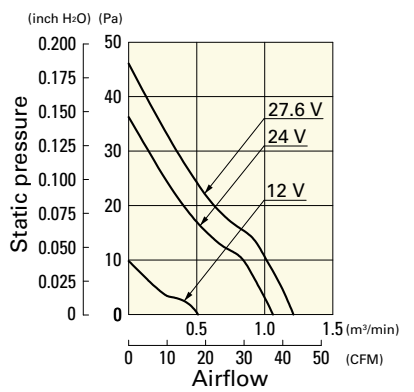
**109R0824S401** With pulse sensor

Operating voltage range



**109R0824H401** With pulse sensor

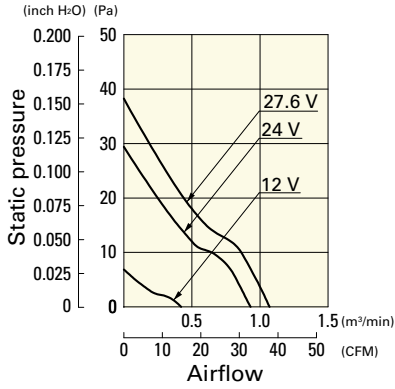
Operating voltage range



**Airflow - Static Pressure Characteristic**

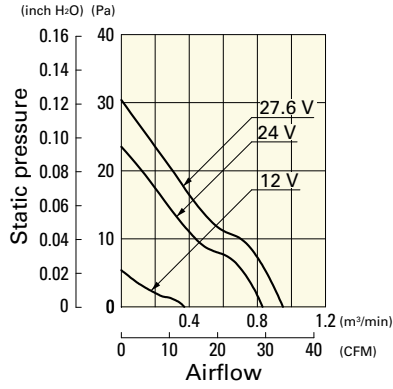
**109R0824F401** With pulse sensor

Operating voltage range



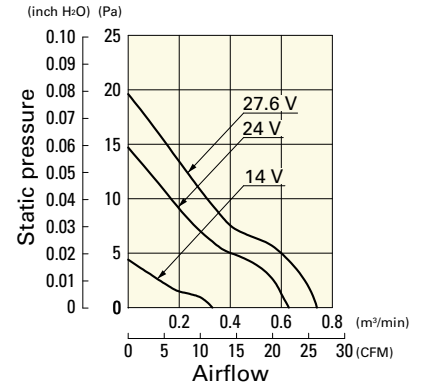
**109R0824M401** With pulse sensor

Operating voltage range



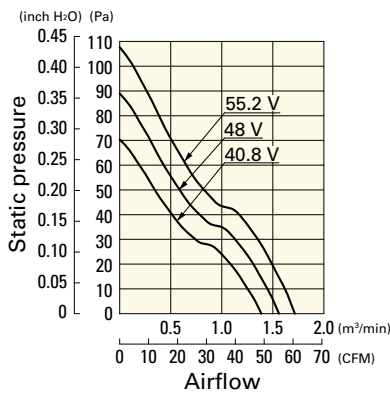
**109R0824L401** With pulse sensor

Operating voltage range



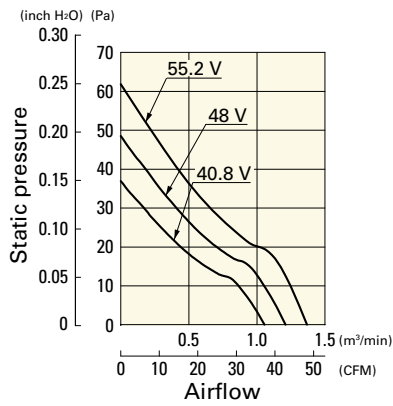
**109R0848K401** With pulse sensor

Operating voltage range

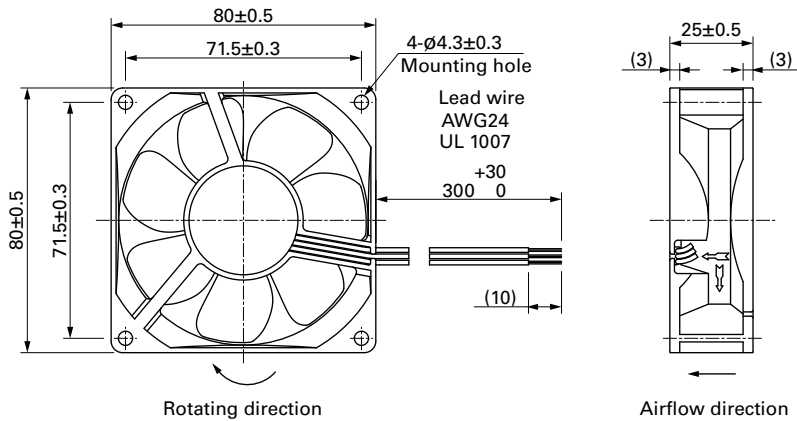


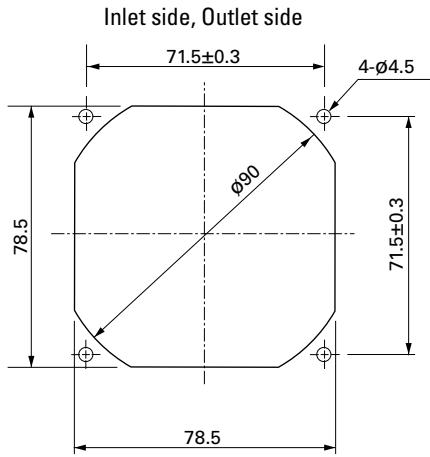
**109R0848S401** With pulse sensor

Operating voltage range



**Dimensions (unit: mm)** (With ribs)



**Reference Dimensions of Mounting Holes and Vent Opening (unit: mm)****Options****Finger guards**

page: p. 558

Model no.: 109-049E, 109-049H, 109-049C

**Resin finger guards**

page: p. 565

Model no.: 109-1002G


**Resin filter kits**

page: p. 566

Model no.: 109-1002F13 (13PPI), 109-1002F20 (20PPI),  
109-1002F30 (30PPI), 109-1002F40 (40PPI)

DC Fan

# 80×80×25 mm

**San Ace 80 9S** type Silent Fan  **US** Model 9S0812H401 is not TÜV certified.



## General Specifications

- Material ..... Frame: Plastic (Flammability: UL 94V-0), Impeller: Plastic (Flammability: UL 94V-1)
- Expected life ..... See the table below. (L10 life: 90% survival rate for continuous operation in free air at 60°C, rated voltage)  
Expected life at 40°C is for reference only.
- Motor protection function ..... Locked rotor burnout protection, Reverse polarity protection  
For details, please refer to p. 573.
- Dielectric strength ..... 50/60 Hz, 500 VAC, for 1 minute (between lead wire conductors and frame)
- Insulation resistance ..... 10 MΩ or more with a 500 VDC megger (between lead wire conductors and frame)
- Sound pressure level (SPL) ..... At 1 m away from the air inlet
- Storage temperature ..... -30 to +70°C (Non-condensing)
- Lead wire ..... ⊕Red ⊖Black Sensor Yellow
- Mass ..... 75 g

## Specifications

The models listed below **have ribs and pulse sensors**. For models without ribs, append "1" to the end of model numbers.

Model no.	Rated voltage [V]	Operating voltage range [V]	Rated current [A]	Rated input [W]	Rated speed [min <sup>-1</sup> ]	Max. airflow [m <sup>3</sup> /min] [CFM]	Max. static pressure [Pa] [inchH <sub>2</sub> O]	SPL [dB (A)]	Operating temperature [°C]	Expected life [h]
» 9S0812H401	12	5.0 to 13.2	0.23	2.76	3400	1.12 39.5	52.15 0.2	31	-10 to +70	40000/60°C (70000/40°C)
» 9S0812F401		5.0 to 13.8	0.11	1.32	2800	0.93 32.8	35.5 0.143	24		
» 9S0812M401			0.08	0.96	2500	0.83 29.3	27.5 0.11	22		
» 9S0812L401		6.0 to 13.8	0.05	0.6	2000	0.66 23.3	18.1 0.073	16		
» 9S0824M401	24	10 to 26.4	0.06	1.44	2500	0.83 29.3	27.5 0.11	22		
» 9S0824L401			0.04	0.96	2000	0.66 23.3	18.1 0.073	16		

The following sensor and control options are available for selection.

Available for all models. **Lock sensor**

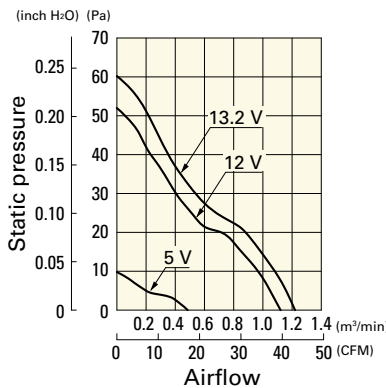
Differs according to the model. Refer to the table on p. 609. **Without sensor** **PWM control**

The » mark indicates Short Lead Time Service applicable models. See p. 626 for details.

## Airflow - Static Pressure Characteristics

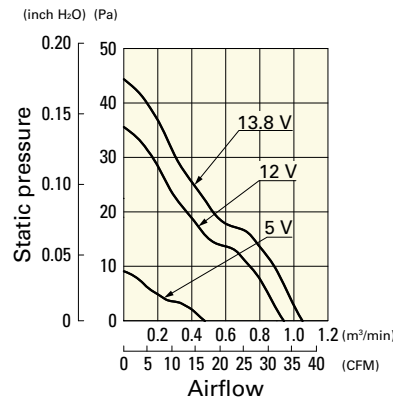
**9S0812H401** With pulse sensor

Operating voltage range



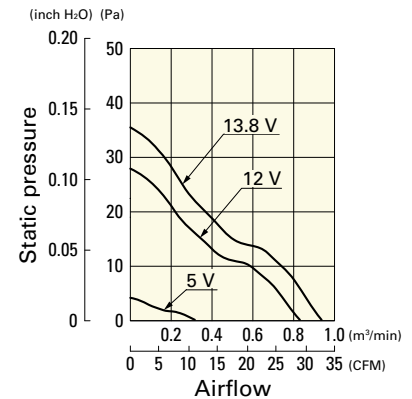
**9S0812F401** With pulse sensor

Operating voltage range



**9S0812M401** With pulse sensor

Operating voltage range

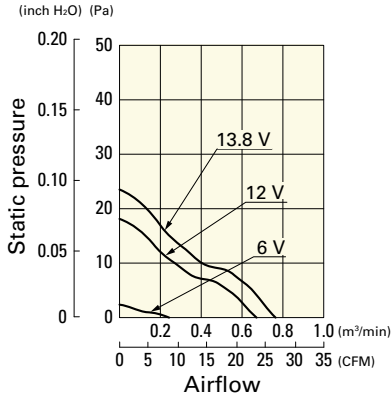




## Airflow - Static Pressure Characteristics

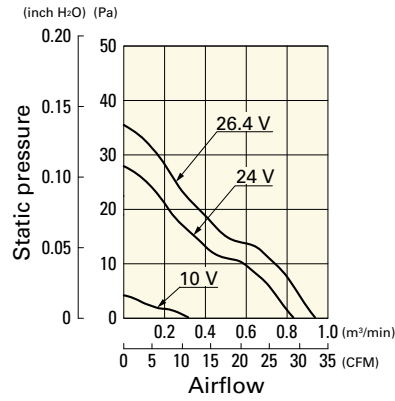
**9S0812L401** With pulse sensor

Operating voltage range



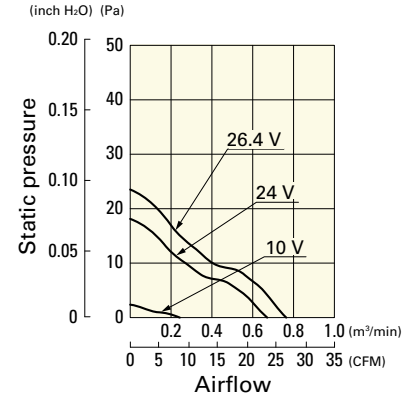
**9S0824M401** With pulse sensor

Operating voltage range

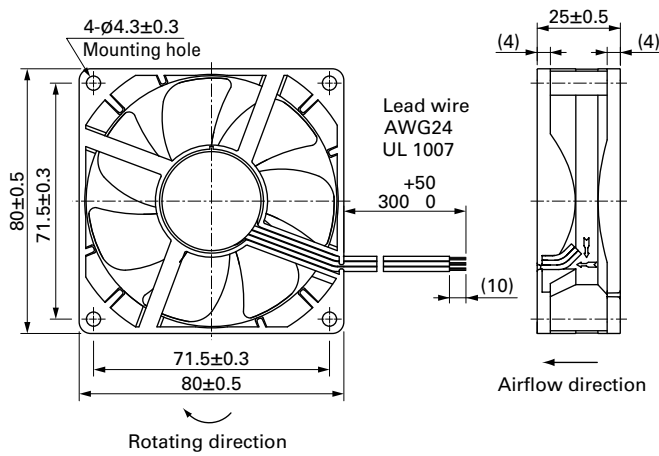


**9S0824L401** With pulse sensor

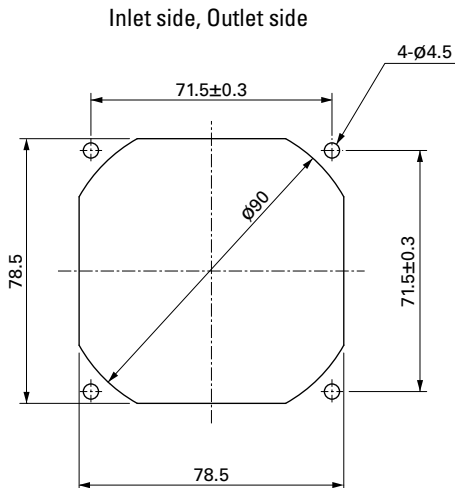
Operating voltage range



## Dimensions (unit: mm) (With ribs)



## Reference Dimensions of Mounting Holes and Vent Opening (unit: mm)



## Options

Finger guards

page: p. 558

Model no.: 109-049E, 109-049H, 109-049C

Resin finger guards

page: p. 565

Model no.: 109-1002G




Resin filter kits

page: p. 566

Model no.: 109-1002F13 (13PPI), 109-1002F20 (20PPI),  
109-1002F30 (30PPI), 109-1002F40 (40PPI)

DC Fan

# 80×80×25 mm

San Cooler 80 9A type   



## General Specifications

- Material ..... Frame: Plastic (Flammability: UL 94V-0), Impeller: Plastic (Flammability: UL 94V-0)
- Expected life ..... See the table below. (L10 life: 90% survival rate for continuous operation in free air at 60°C, rated voltage)  
Expected life at 40°C is for reference only.
- Motor protection function ..... Locked rotor burnout protection, Reverse polarity protection  
For details, please refer to p. 573.
- Dielectric strength ..... 50/60 Hz, 500 VAC, for 1 minute (between lead wire conductors and frame)
- Insulation resistance ..... 10 MΩ or more with a 500 VDC megger (between lead wire conductors and frame)
- Sound pressure level (SPL) ..... At 1 m away from the air inlet
- Storage temperature ..... -30 to +70°C (Non-condensing)
- Lead wire ..... ⊕Red ⊖Black or Blue Sensor Yellow
- Mass ..... 90 g

## Specifications

The models listed below **have ribs and pulse sensors**. For models without ribs, append "1" to the end of model numbers.

Model no.	Rated voltage [V]	Operating voltage range [V]	Rated current [A]	Rated input [W]	Rated speed [min <sup>-1</sup> ]	Max. airflow [m <sup>3</sup> /min] [CFM]	Max. static pressure [Pa] [inchH <sub>2</sub> O]	SPL [dB (A)]	Operating temperature [°C]	Expected life [h]		
9A0812G401	12	6 to 13.2	0.38	4.56	4500	1.5 53.0	80.3 0.323	40	-20 to +60	30000/60°C (53000/40°C)		
9A0812S401			0.18	2.16	3400	1.2 42.4	48 0.193	34				
9A0812H401		6 to 13.8	0.13	1.56	2900	1.03 36.4	35.3 0.142	29			-20 to +70	40000/60°C (70000/40°C)
9A0812F401			0.11	1.32	2600	0.92 32.5	28.4 0.114	26				
9A0812M401			0.09	1.08	2350	0.83 29.3	22.5 0.09	23				
9A0812L401			0.06	0.72	1850	0.65 23.0	14.7 0.059	20				
9A0824G401	24	12 to 26.4	0.21	5.04	4500	1.5 53.0	80.3 0.323	40	-20 to +60	30000/60°C (53000/40°C)		
9A0824S401			0.1	2.4	3400	1.2 42.4	48 0.193	34				
9A0824H401		12 to 27.6	0.07	1.68	2900	1.03 36.4	35.3 0.142	29			-20 to +70	40000/60°C (70000/40°C)
9A0824F401			0.06	1.44	2600	0.92 32.5	28.4 0.114	26				
9A0824M401			0.05	1.2	2350	0.83 29.3	22.5 0.09	23				
9A0824L401			0.04	0.96	1850	0.65 23.0	14.7 0.059	20				

The following sensor and control options are available for selection.

Available for all models. Without sensor Lock sensor

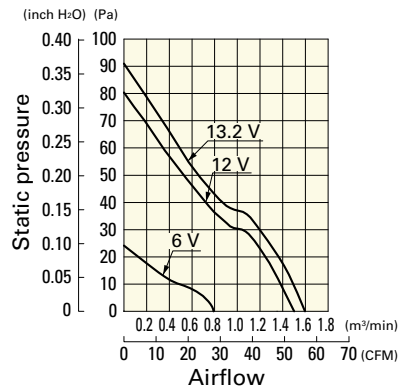
Differs according to the model. Refer to the table on p. 598. PWM control

The ⊗ mark indicates Short LeadTime Service applicable models. See p. 626 for details.

## Airflow - Static Pressure Characteristics

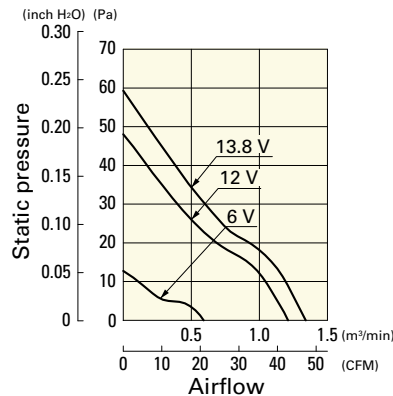
**9A0812G401** With pulse sensor

Operating voltage range



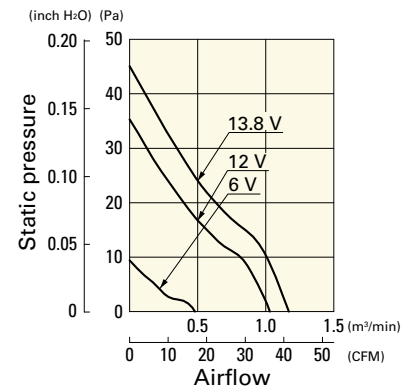
**9A0812S401** With pulse sensor

Operating voltage range



**9A0812H401** With pulse sensor

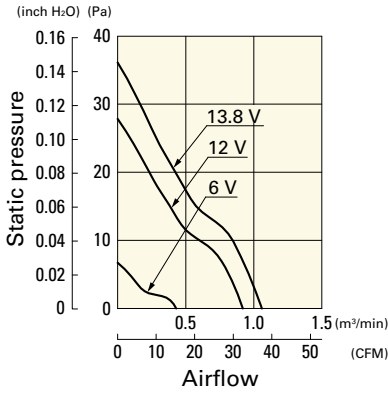
Operating voltage range



# Airflow - Static Pressure Characteristics

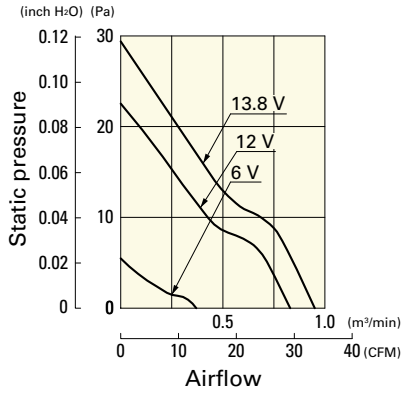
**9A0812F401** With pulse sensor

Operating voltage range



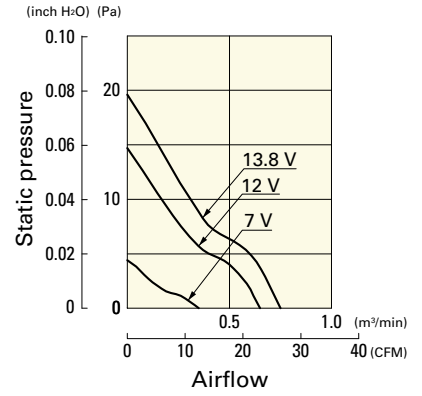
**9A0812M401** With pulse sensor

Operating voltage range



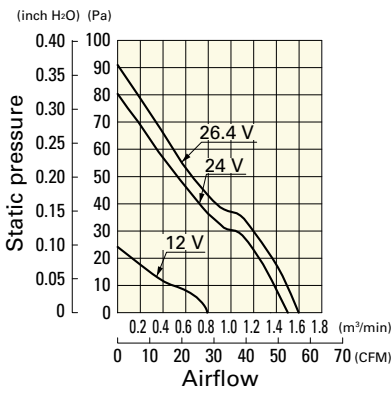
**9A0812L401** With pulse sensor

Operating voltage range



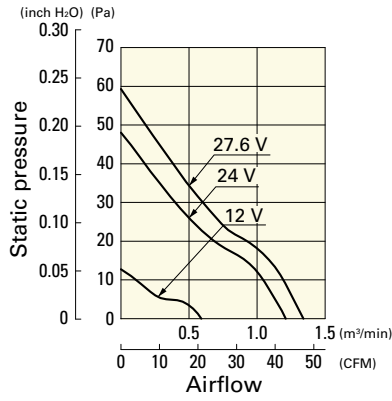
**9A0824G401** With pulse sensor

Operating voltage range



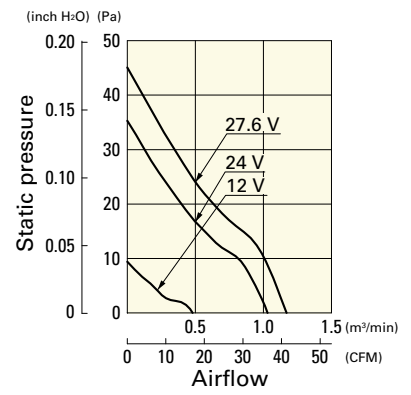
**9A0824S401** With pulse sensor

Operating voltage range



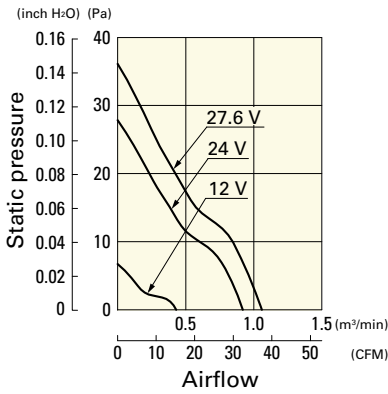
**9A0824H401** With pulse sensor

Operating voltage range



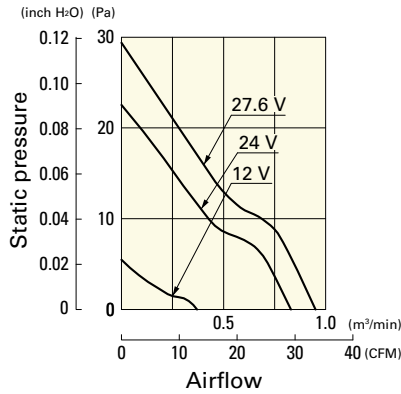
**9A0824F401** With pulse sensor

Operating voltage range



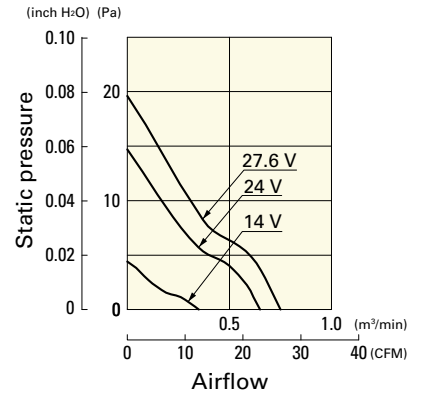
**9A0824M401** With pulse sensor

Operating voltage range

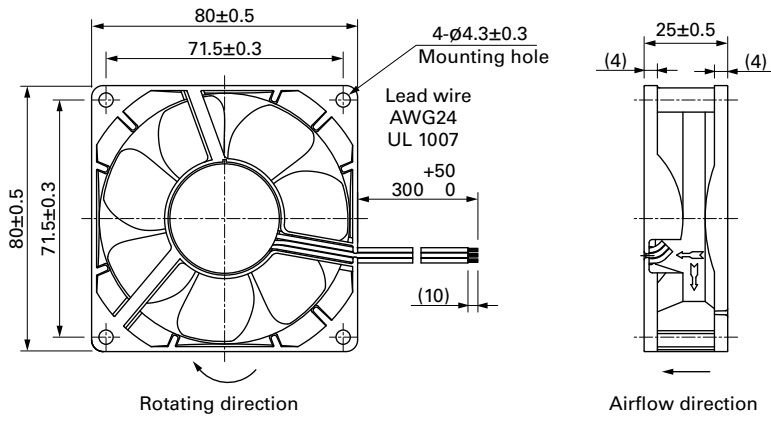


**9A0824L401** With pulse sensor

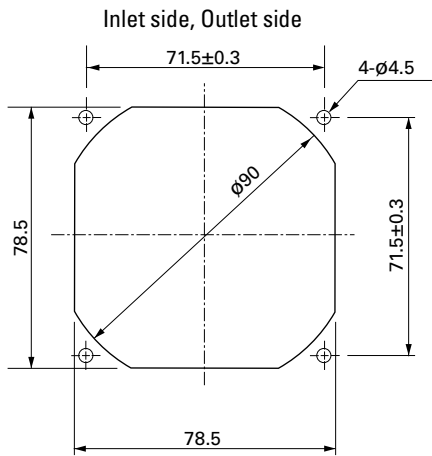
Operating voltage range



**Dimensions (unit: mm)** (With ribs)



**Reference Dimensions of Mounting Holes and Vent Opening (unit: mm)**



**Options**

**Finger guards**

page: p. 558

Model no.: 109-049E, 109-049H, 109-049C

**Resin finger guards**

page: p. 565

Model no.: 109-1002G

**Resin filter kits**

page: p. 566

Model no.: 109-1002F13 (13PPI), 109-1002F20 (20PPI),  
109-1002F30 (30PPI), 109-1002F40 (40PPI)

# 80×80×32 mm



## San Ace 80 9GA type Low Power Consumption Fan



### General Specifications

- Material ..... Frame: Plastic (Flammability: UL 94V-0), Impeller: Plastic (Flammability: UL 94V-0)
- Expected life ..... See the table below. (L10 life: 90% survival rate for continuous operation in free air at 60°C, rated voltage)  
Expected life at 40°C is for reference only.
- Motor protection function ..... Locked rotor burnout protection, Reverse polarity protection  
For details, please refer to p. 573.
- Dielectric strength ..... 50/60 Hz, 500 VAC, for 1 minute (between lead wire conductors and frame)
- Insulation resistance ..... 10 MΩ or more with a 500 VDC megger (between lead wire conductors and frame)
- Sound pressure level (SPL) ..... At 1 m away from the air inlet
- Storage temperature ..... -30 to +70°C (Non-condensing)
- Lead wire ..... ⊕Red ⊖Black (Sensor) Yellow (Control) Brown  
(For models without PWM control function, there is no speed control wiring.)
- Mass ..... 130 g

### Specifications

The models listed below **have ribs and pulse sensors with PWM control function.** For models without ribs, append "1" to the end of model numbers.

Model no.	Rated voltage [V]	Operating voltage range [V]	PWM duty cycle [%]	Rated current [A]	Rated input [W]	Rated speed [min <sup>-1</sup> ]	Max. airflow [m <sup>3</sup> /min] [CFM]		Max. static pressure [Pa] [inchH <sub>2</sub> O]		SPL [dB (A)]	Operating temperature [°C]	Expected life [h]
» 9GA0812P2S001	12	10.2 to 13.8	100	0.83	9.96	9700	2.45	86.5	360	1.45	57	-20 to +70	40000/60°C (70000/40°C)
» 9GA0812P2H001			0	0.08	0.96	2800	0.71	25.1	30	0.12	24		
» 9GA0812P2M001			100	0.59	7.08	8700	2.2	77.7	294	1.18	54		
» 9GA0812P2M001			0	0.05	0.6	2600	0.66	23.3	26	0.105	21		
» 9GA0824P2S001	24	20.4 to 27.6	100	0.35	4.2	6700	1.69	59.6	171	0.68	47	-20 to +55	
» 9GA0824P2S001			0	0.04	0.48	1400	0.35	12.3	7.5	0.03	10		
» 9GA0824P2S001	24	20.4 to 27.6	100	0.42	10.1	9700	2.45	86.5	360	1.45	57	-20 to +70	
» 9GA0824P2S001			0	0.05	1.2	2800	0.71	25.1	30	0.12	24		
» 9GA0848P2S001	48	40.8 to 55.2	100	0.22	10.56	9700	2.45	86.5	360	1.45	57	-10 to +70	
» 9GA0848P2S001			0	0.04	1.92	2800	0.71	25.1	30	0.12	24		

\* PWM input frequency is 25 kHz; models without specifications at 0% PWM duty cycle have zero fan speed at 0%.

The following sensor and control options are available for selection.

Differs according to the model. Refer to the table on pp. 603 to 604. Without sensor Pulse sensor

The models listed below **have ribs and pulse sensors.** For models without ribs, append "1" to the end of model numbers.

Model no.	Rated voltage [V]	Operating voltage range [V]	Rated current [A]	Rated input [W]	Rated speed [min <sup>-1</sup> ]	Max. airflow [m <sup>3</sup> /min] [CFM]		Max. static pressure [Pa] [inchH <sub>2</sub> O]		SPL [dB (A)]	Operating temperature [°C]	Expected life [h]
» 9GA0812A2001	12	6 to 13.2	0.31	3.72	6000	1.51	53.4	137.7	0.55	44	-20 to +70	40000/60°C (70000/40°C)
» 9GA0812B2001		6 to 13.8	0.13	1.56	4000	1.01	35.7	61.2	0.25	33		
» 9GA0812L2001		7 to 13.8	0.08	0.96	2600	0.66	23.3	26	0.1	21		
» 9GA0824A2001	24	12 to 26.4	0.15	3.6	6000	1.51	53.4	137.7	0.55	44		
» 9GA0824B2001		12 to 27.6	0.08	1.92	4000	1.01	35.7	61.2	0.25	33		
» 9GA0824L2001		14 to 27.6	0.05	1.2	2600	0.66	23.3	26	0.1	21		

The following sensor and control options are available for selection.

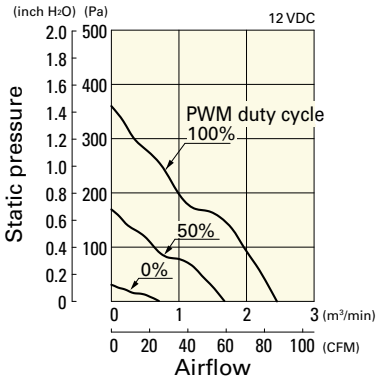
Available for all models. Without sensor Lock sensor

The » mark indicates Short Lead Time Service applicable models. See p. 626 for details.

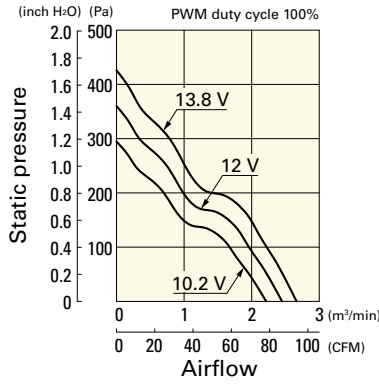
**Airflow - Static Pressure Characteristics / PWM Duty - Speed Characteristics Example**

**9GA0812P2S001** With pulse sensor with PWM control function

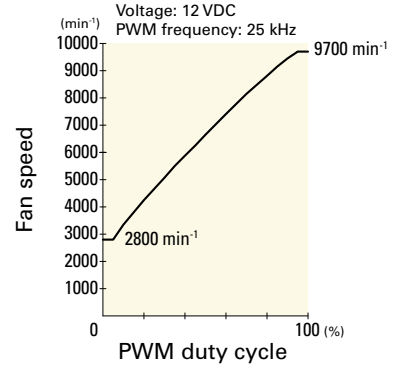
PWM duty cycle



Operating voltage range

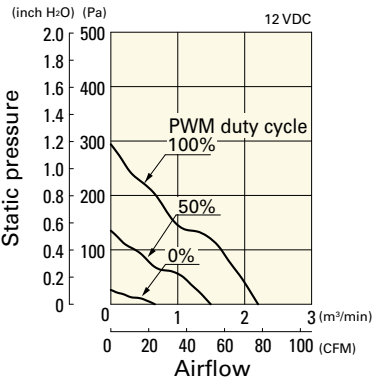


PWM duty - Speed characteristics example

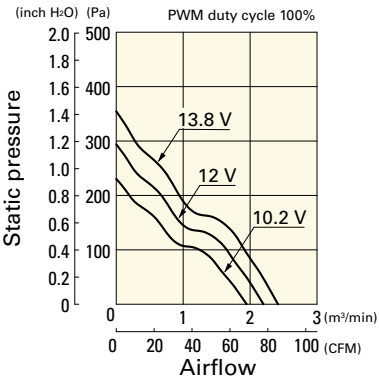


**9GA0812P2H001** With pulse sensor with PWM control function

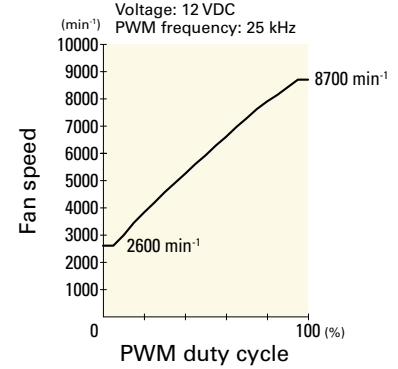
PWM duty cycle



Operating voltage range

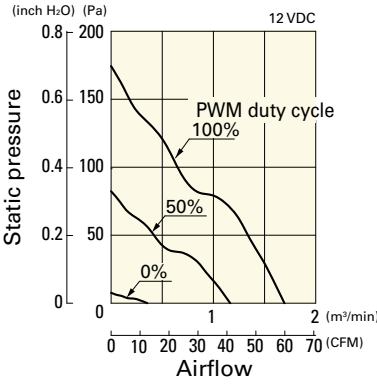


PWM duty - Speed characteristics example

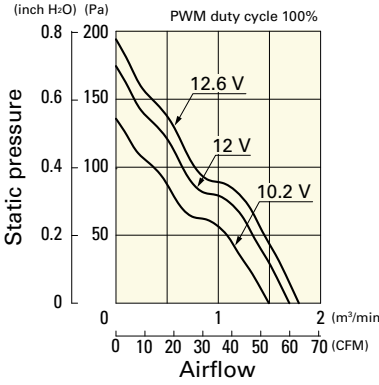


**9GA0812P2M001** With pulse sensor with PWM control function

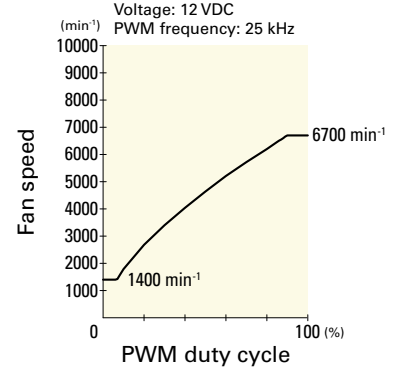
PWM duty cycle



Operating voltage range

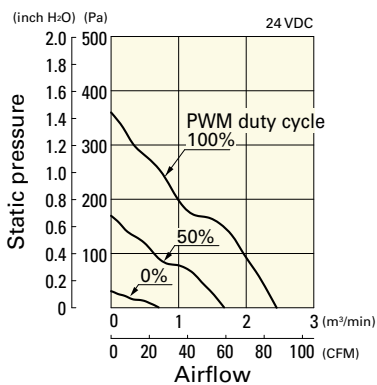


PWM duty - Speed characteristics example

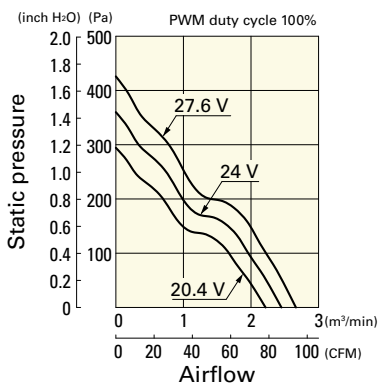


**9GA0824P2S001** With pulse sensor with PWM control function

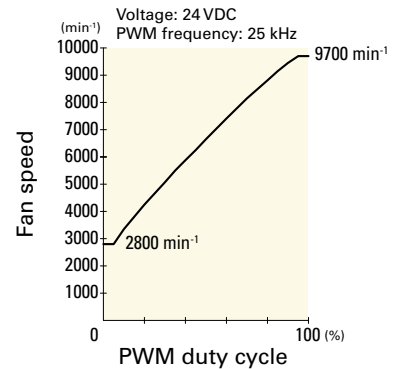
PWM duty cycle



Operating voltage range



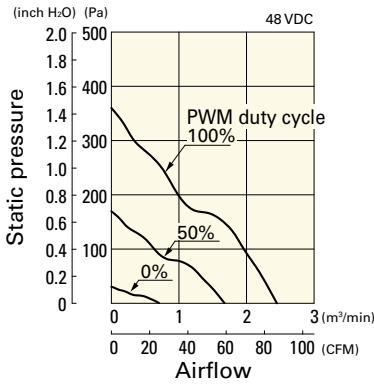
PWM duty - Speed characteristics example



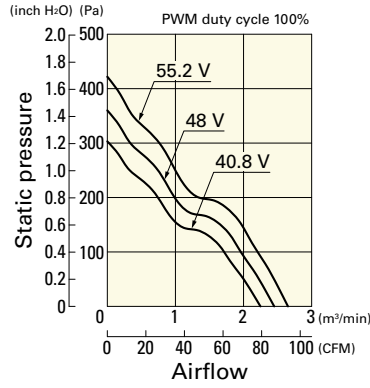
**Airflow - Static Pressure Characteristics / PWM Duty - Speed Characteristics Example**

**9GA0848P2S001** With pulse sensor with PWM control function

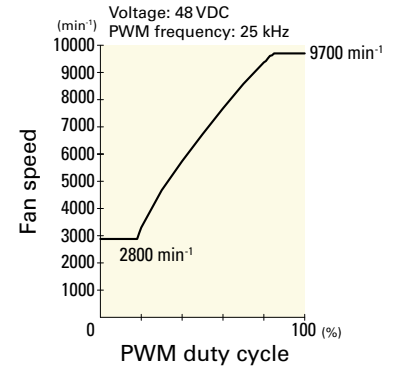
PWM duty cycle



Operating voltage range



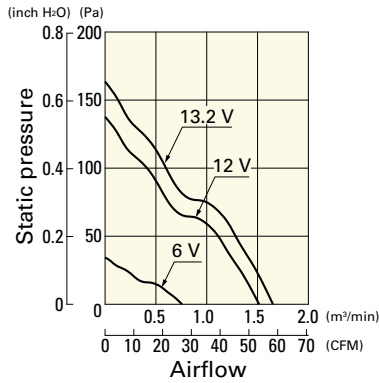
PWM duty - Speed characteristics example



**Airflow - Static Pressure Characteristics**

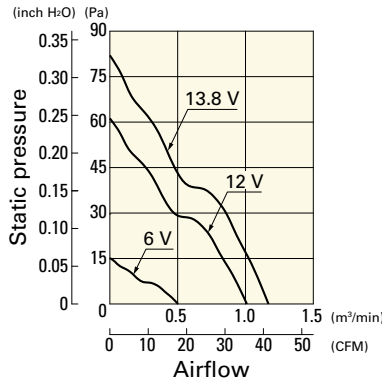
**9GA0812A2001** With pulse sensor

Operating voltage range



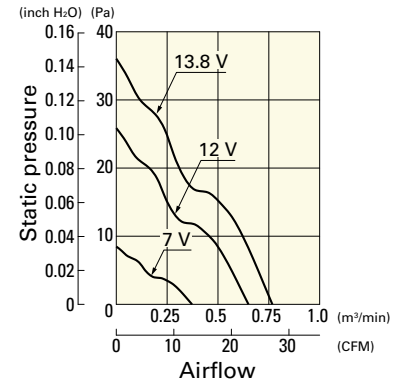
**9GA0812B2001** With pulse sensor

Operating voltage range



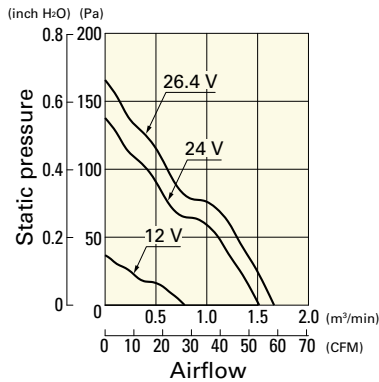
**9GA0812L2001** With pulse sensor

Operating voltage range



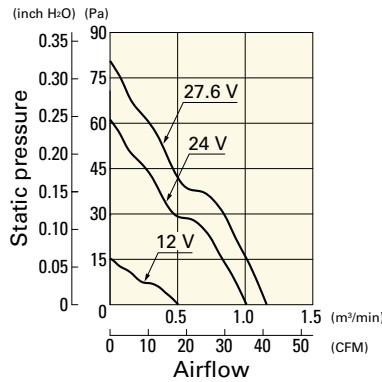
**9GA0824A2001** With pulse sensor

Operating voltage range



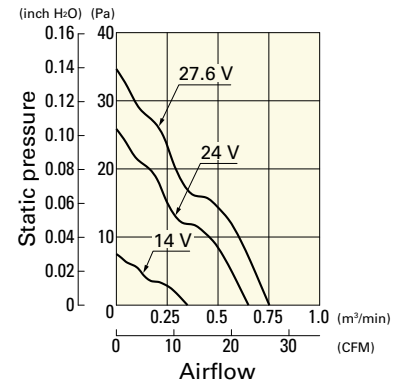
**9GA0824B2001** With pulse sensor

Operating voltage range

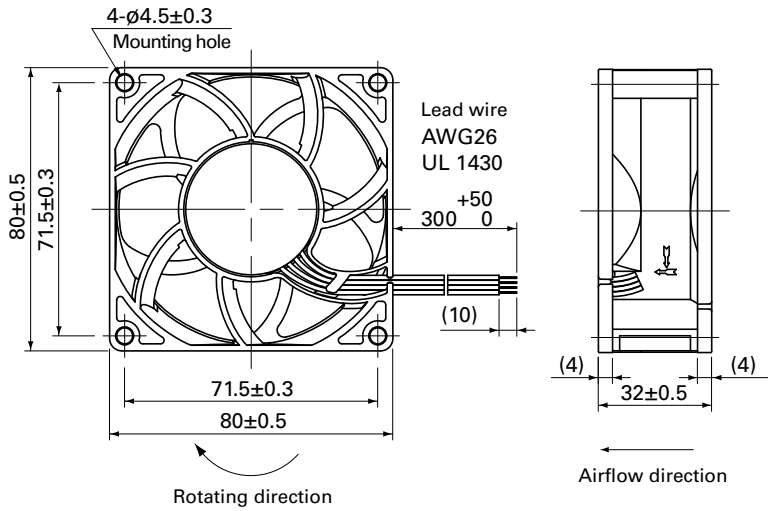


**9GA0824L2001** With pulse sensor

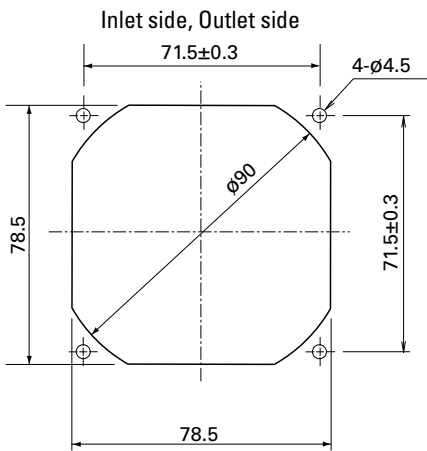
Operating voltage range



**Dimensions (unit: mm)** (With ribs)



**Reference Dimensions of Mounting Holes and Vent Opening (unit: mm)**



**Options**

Finger guards

page: p. 558

Model no.: 109-049E, 109-049H, 109-049C

Resin finger guards

page: p. 565

Model no.: 109-1002G

Resin filter kits

page: p. 566

Model no.: 109-1002F13 (13PPI), 109-1002F20 (20PPI),  
109-1002F30 (30PPI), 109-1002F40 (40PPI)





# 80×80×38 mm

San Ace 80 9HVA type US

## General Specifications

- Material ..... Frame: Plastic (Flammability: UL 94V-0), Impeller: Plastic (Flammability: UL 94V-0)
- Expected life ..... See the table below. (L10 life: 90% survival rate for continuous operation in free air at 60°C, rated voltage)  
Expected life at 40°C is for reference only.
- Motor protection function ..... Locked rotor burnout protection, Reverse polarity protection  
For details, please refer to p. 573.
- Dielectric strength ..... 50/60 Hz, 500 VAC, for 1 minute (between lead wire conductors and frame)
- Insulation resistance ..... 10 MΩ or more with a 500 VDC megger (between lead wire conductors and frame)
- Sound pressure level (SPL) ..... At 1 m away from the air inlet
- Storage temperature ..... -30 to +70°C (Non-condensing)
- Lead wire ..... ⊕Red ⊖Black  Sensor  Yellow  Control  Brown
- Mass ..... 220 g

## Specifications

The models listed below **have ribs and pulse sensors with PWM control function.** For models without ribs, append "1" to the end of model numbers.

Model no.	Rated voltage [V]	Operating voltage range [V]	PWM duty cycle [%]	Rated current [A]	Rated input [W]	Rated speed [min <sup>-1</sup> ]	Max. airflow [m <sup>3</sup> /min] [CFM]	Max. static pressure [Pa] [inchH <sub>2</sub> O]	SPL [dB (A)]	Operating temperature [°C]	Expected life [h]
9HVA0812P1G001	12	10.8 to 13.2	100	3.5	42	16100	3.75 132	1350 5.4	73	-20 to +70	40000/60°C (70000/40°C)
			20	0.2	2.4	4200	0.96 33.9	105 0.42	44		
9HVA0848P1G601	48	36 to 57	100	0.9	43.2	16100	3.75 132	1250 5.0	73		
			20	0.07	3.36	4200	0.96 33.9	105 0.42	44		

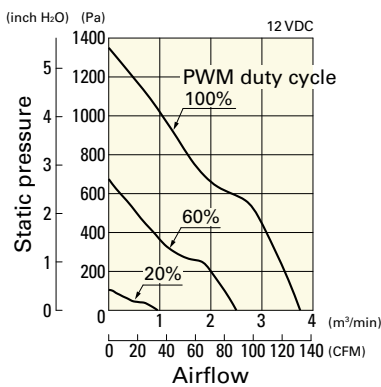
\* PWM input frequency is 25 kHz; models without specifications at 0% PWM duty cycle have zero fan speed at 0%.

The mark indicates Short LeadTime Service applicable models. See p. 626 for details.

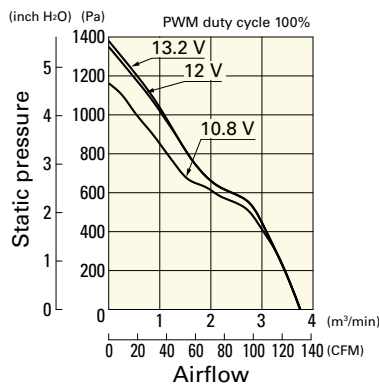
## Airflow - Static Pressure Characteristics / PWM Duty - Speed Characteristics Example

**9HVA0812P1G001** With pulse sensor with PWM control function

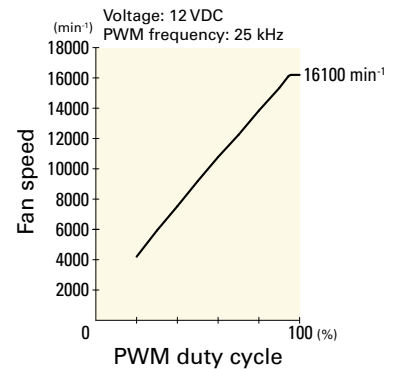
PWM duty cycle



Operating voltage range



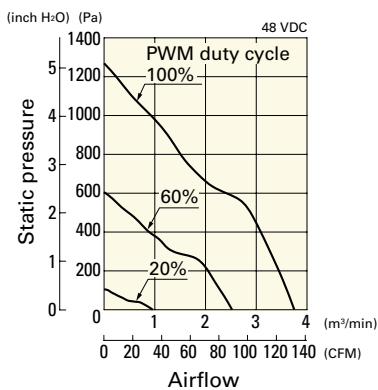
PWM duty - Speed characteristics example



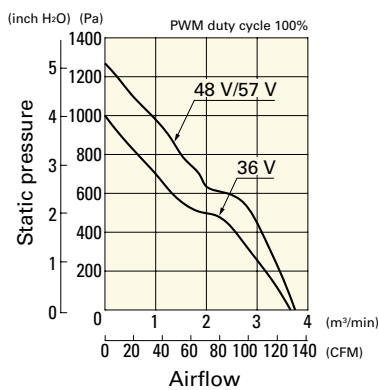
**Airflow - Static Pressure Characteristics / PWM Duty - Speed Characteristics Example**

**9HVA0848P1G601** With pulse sensor with PWM control function

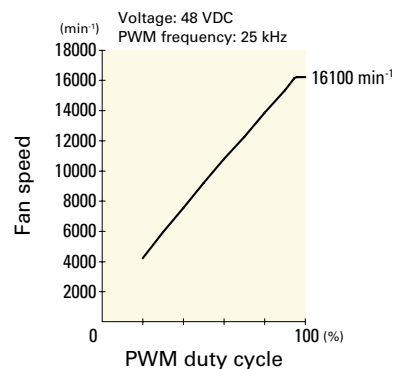
PWM duty cycle



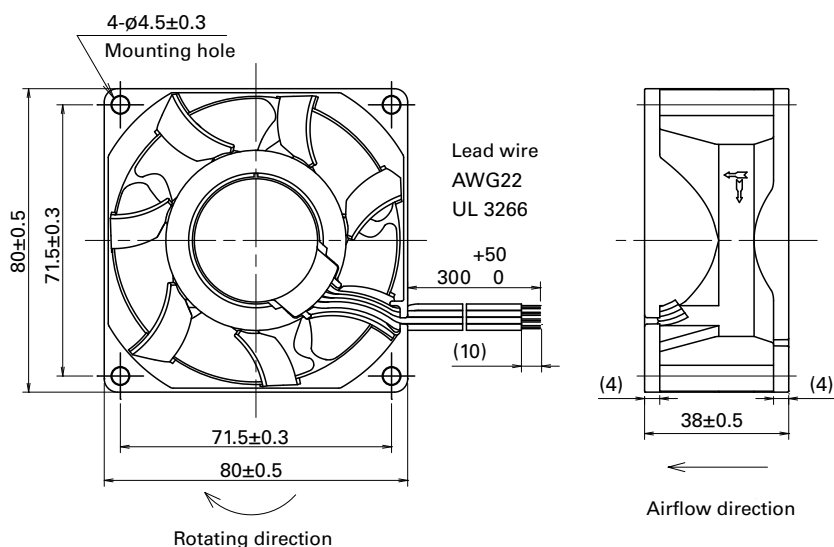
Operating voltage range



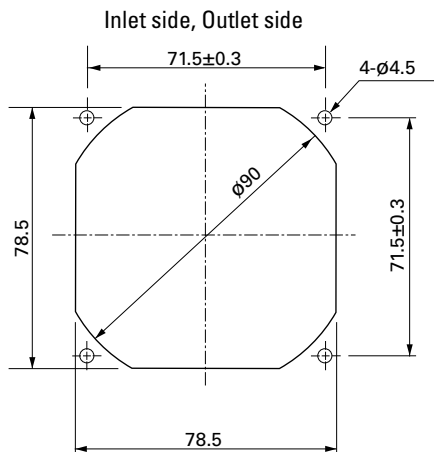
PWM duty - Speed characteristics example



**Dimensions (unit: mm)** (With ribs)



**Reference Dimensions of Mounting Holes and Vent Opening (unit: mm)**



**Options**

**Finger guards** page: p. 558  
Model no.: 109-049E, 109-049H, 109-049C

**Resin finger guards** page: p. 565  
Model no.: 109-1002G

**Resin filter kits** page: p. 566  
Model no.: 109-1002F13 (13PPI), 109-1002F20 (20PPI),  
109-1002F30 (30PPI), 109-1002F40 (40PPI)



# 80x80x38 mm

San Ace 80 9HV type

## General Specifications

- Material ..... Frame: Plastic (Flammability: UL 94V-0), Impeller: Plastic (Flammability: UL 94V-0)
- Expected life ..... See the table below. (L10 life: 90% survival rate for continuous operation in free air at 60°C, rated voltage)  
Expected life at 40°C is for reference only.
- Motor protection function ..... Locked rotor burnout protection, Reverse polarity protection  
For details, please refer to p. 573.
- Dielectric strength ..... 50/60 Hz, 500 VAC, for 1 minute (between lead wire conductors and frame)
- Insulation resistance ..... 10 MΩ or more with a 500 VDC megger (between lead wire conductors and frame)
- Sound pressure level (SPL) ..... At 1 m away from the air inlet
- Storage temperature ..... -30 to +70°C (Non-condensing)
- Lead wire ..... ⊕Red ⊖Black  Sensor  Yellow  Control  Brown
- Mass ..... 230 g

## Specifications

The models listed below **have ribs and pulse sensors with PWM control function.** For models without ribs, append "1" to the end of model numbers.

Model no.	Rated voltage [V]	Operating voltage range [V]	PWM duty cycle* [%]	Rated current [A]	Rated input [W]	Rated speed [min <sup>-1</sup> ]	Max. airflow [m <sup>3</sup> /min] [CFM]	Max. static pressure [Pa] [inchH <sub>2</sub> O]	SPL [dB (A)]	Operating temperature [°C]	Expected life [h]
9HV0812P1G601	12	10.8 to 13.2	100	3.4	40.8	14900	3.7 130.7	1000 4.0	69	-20 to +70	40000/60°C (70000/40°C)
			0	0.25	3	4400	1.06 37.5	87.2 0.35	40		
9HV0824P1G003	24	21.6 to 26.4	100	1.7	40.8	14900	3.7 130.7	1000 4.0	69	-10 to +70	
9HV0848P1G001	48	36 to 57	100	0.85	40.8	14900	3.7 130.7	1000 4.0	69		
			0	0.13	6.24	4400	1.06 37.5	87.2 0.35	40		

\* PWM input frequency is 25 kHz; models without specifications at 0% PWM duty cycle have zero fan speed at 0%.  
The model number of the ribless model for 9HV0824P1G003 is 9HV0824P1G0011.

The following sensor and control options are available for selection.

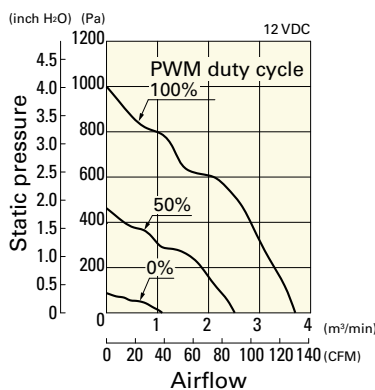
Differs according to the model. Refer to the table on p. 607.  Without sensor  Pulse sensor  Lock sensor

The mark indicates Short Lead Time Service applicable models. See p. 626 for details.

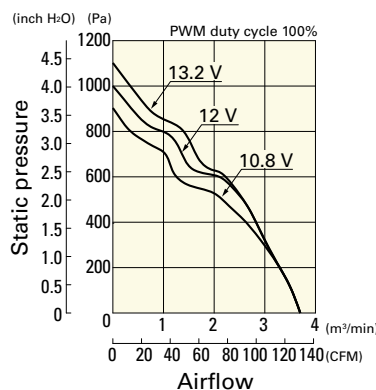
## Airflow - Static Pressure Characteristics / PWM Duty - Speed Characteristics Example

**9HV0812P1G601** With pulse sensor with PWM control function

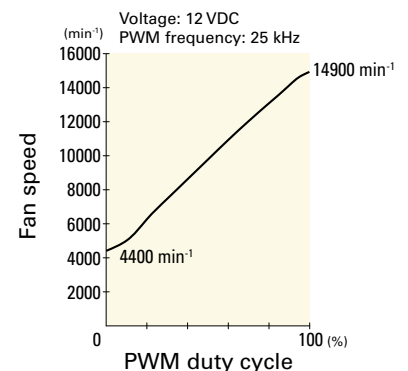
PWM duty cycle



Operating voltage range



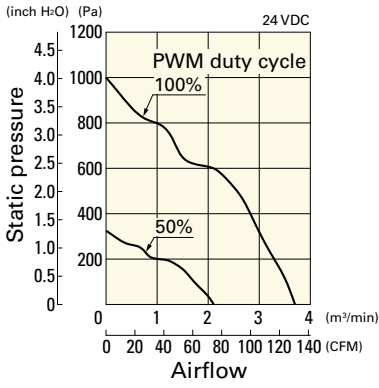
PWM duty - Speed characteristics example



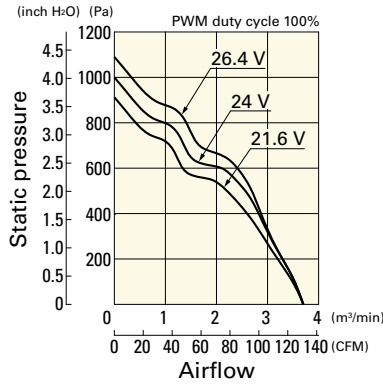
**Airflow - Static Pressure Characteristics / PWM Duty - Speed Characteristics Example**

**9HV0824P1G003** With pulse sensor with PWM control function

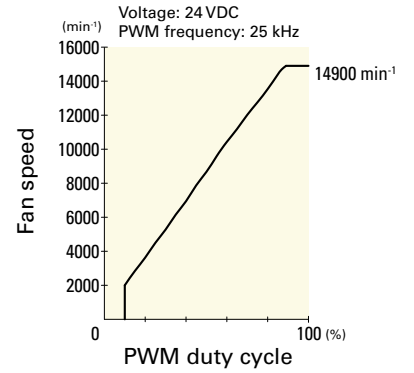
PWM duty cycle



Operating voltage range

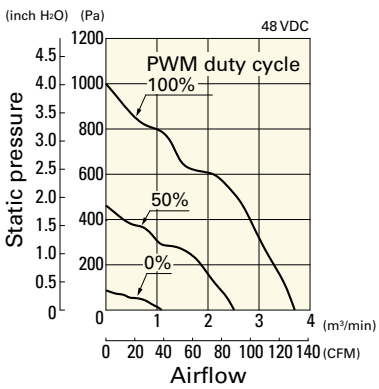


PWM duty - Speed characteristics example

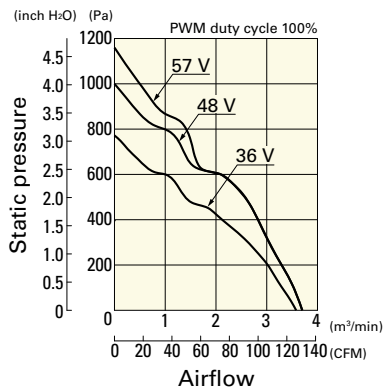


**9HV0848P1G001** With pulse sensor with PWM control function

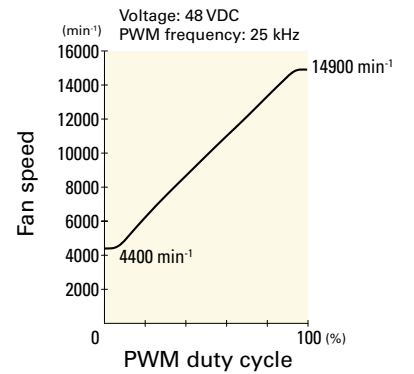
PWM duty cycle



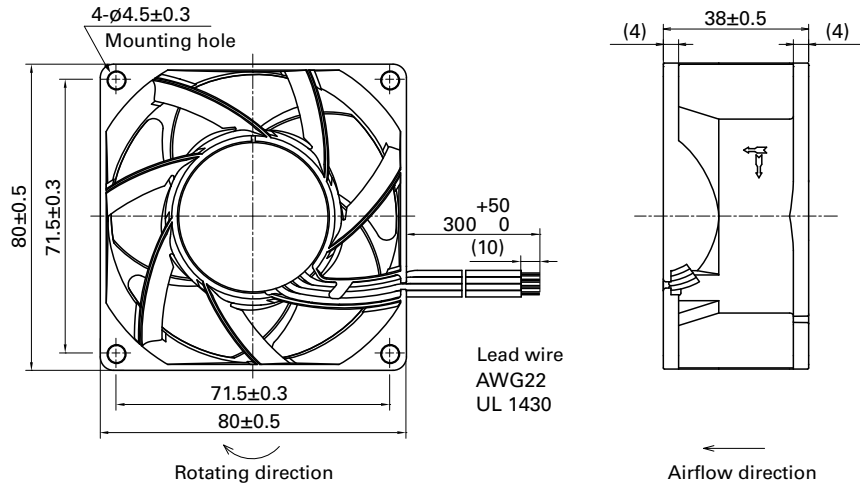
Operating voltage range



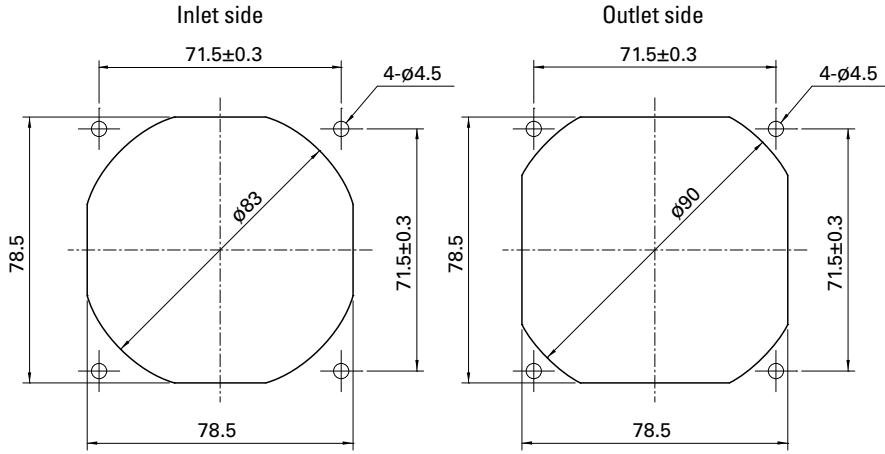
PWM duty - Speed characteristics example



**Dimensions (unit: mm)** (With ribs)



**Reference Dimensions of Mounting Holes and Vent Opening (unit: mm)**



**Options**

**Finger guards**

page: p. 558

Model no.: 109-049E, 109-049H, 109-049C

**Resin finger guards**

page: p. 565

Model no.: 109-1002G

**Resin filter kits**

page: p. 566

Model no.: 109-1002F13 (13PPI), 109-1002F20 (20PPI),  
109-1002F30 (30PPI), 109-1002F40 (40PPI)

DC Fan



# 80×80×38 mm

**San Ace 80 9GA type** Low Power Consumption Fan

## General Specifications

- Material ..... Frame: Plastic (Flammability: UL 94V-0), Impeller: Plastic (Flammability: UL 94V-0)
- Expected life ..... See the table below. (L10 life: 90% survival rate for continuous operation in free air at 60°C, rated voltage)  
Expected life at 40°C is for reference only.
- Motor protection function ..... Locked rotor burnout protection, Reverse polarity protection  
For details, please refer to p. 573.
- Dielectric strength ..... 50/60 Hz, 500 VAC, for 1 minute (between lead wire conductors and frame)
- Insulation resistance ..... 10 MΩ or more with a 500 VDC megger (between lead wire conductors and frame)
- Sound pressure level (SPL) ..... At 1 m away from the air inlet
- Storage temperature ..... -30 to +70°C (Non-condensing)
- Lead wire ..... ⊕Red ⊖Black Sensor Yellow Control Brown
- Mass ..... 160 g

## Specifications

The models listed below **have ribs and pulse sensors with PWM control function.** For models without ribs, append "1" to the end of model numbers.

Model no.	Rated voltage [V]	Operating voltage range [V]	PWM duty cycle* [%]	Rated current [A]	Rated input [W]	Rated speed [min <sup>-1</sup> ]	Max. airflow [m <sup>3</sup> /min] [CFM]	Max. static pressure [Pa] [inchH <sub>2</sub> O]	SPL [dB (A)]	Operating temperature [°C]	Expected life [h]		
9GA0812P1G61	12	10.8 to 13.2	100	1.2	14.4	10500	2.85 100.6	480 1.93	60	-20 to +70	40000/60°C (70000/40°C)		
			0	0.04	0.48	2000	0.51 18.0	28.7 0.11	21				
9GA0812P1S61			100	0.94	11.28	9550	2.6 91.8	480 1.93	59				
			0	0.1	1.2	2900	0.74 26.1	60 0.24	27				
9GA0812P1H61			100	0.6	7.2	8250	2.25 79.4	380 1.53	55				
			0	0.08	0.96	2500	0.64 22.6	45 0.18	24				
9GA0824P1S61		24	20.4 to 27.6	100	0.47	11.28	9550	2.6 91.8	480 1.93			59	
				0	0.06	1.44	2900	0.74 26.1	60 0.24			27	
				9GA0824P1H61	100	0.3	7.2	8250	2.25 79.4			380 1.53	55
					0	0.05	1.2	2500	0.64 22.6			45 0.18	24
9GA0848P1S61			48	40.8 to 55.2	100	0.25	12	9550	2.6 91.8			480 1.93	59
					0	0.04	1.92	2900	0.74 26.1			60 0.24	27

\* PWM input frequency is 25 kHz; models without specifications at 0% PWM duty cycle have zero fan speed at 0%.

The following sensor and control options are available for selection.

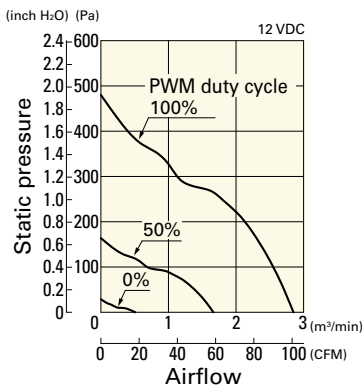
Differs according to the model. Refer to the table on pp. 603 to 604. Without sensor Pulse sensor Lock sensor

The mark indicates Short Lead Time Service applicable models. See p. 626 for details.

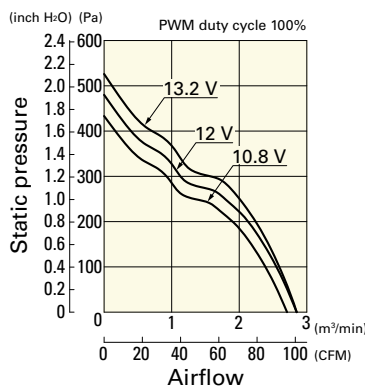
## Airflow - Static Pressure Characteristics / PWM Duty - Speed Characteristics Example

**9GA0812P1G61** With pulse sensor with PWM control function

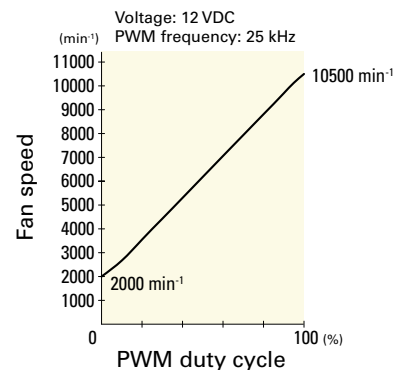
PWM duty cycle



Operating voltage range



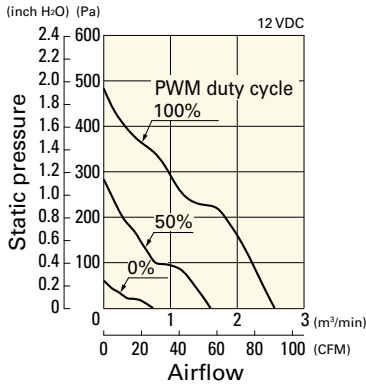
PWM duty - Speed characteristics example



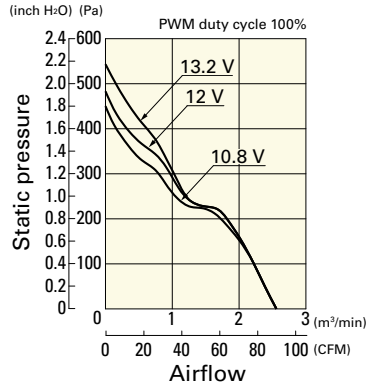
**Airflow - Static Pressure Characteristics / PWM Duty - Speed Characteristics Example**

**9GA0812P1S61** With pulse sensor with PWM control function

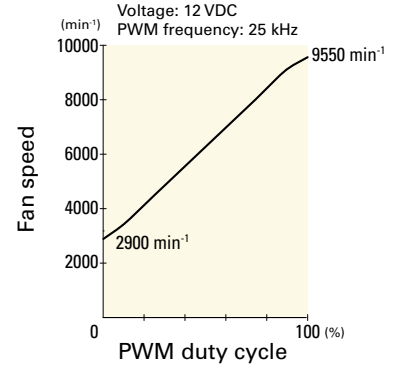
PWM duty cycle



Operating voltage range

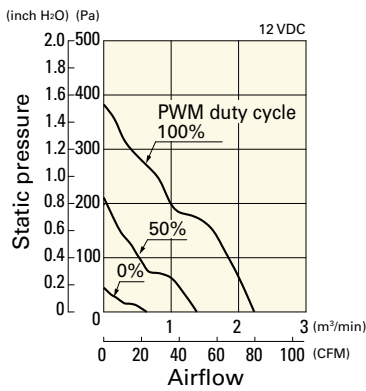


PWM duty - Speed characteristics example

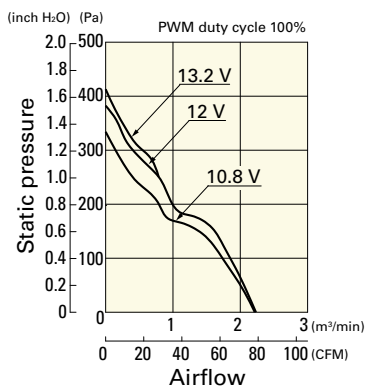


**9GA0812P1H61** With pulse sensor with PWM control function

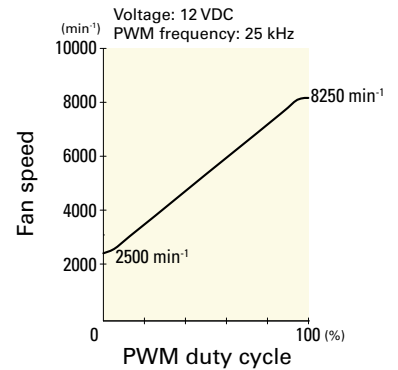
PWM duty cycle



Operating voltage range

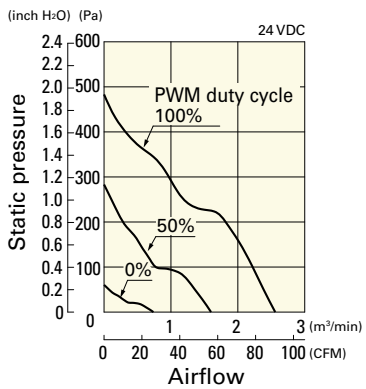


PWM duty - Speed characteristics example

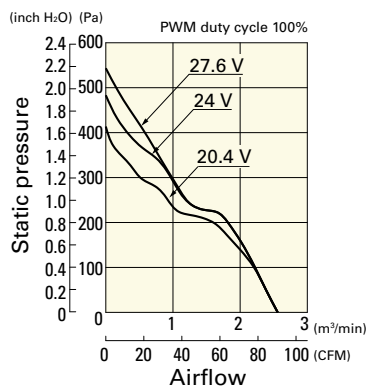


**9GA0824P1S61** With pulse sensor with PWM control function

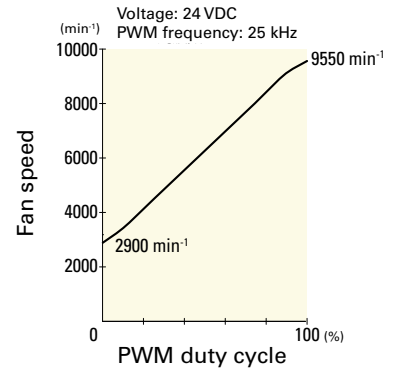
PWM duty cycle



Operating voltage range

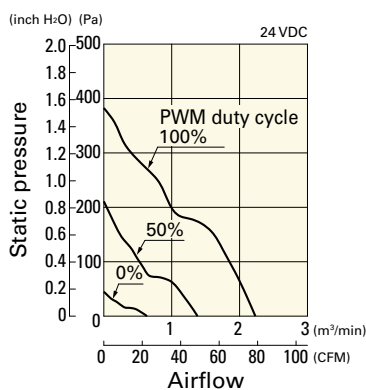


PWM duty - Speed characteristics example

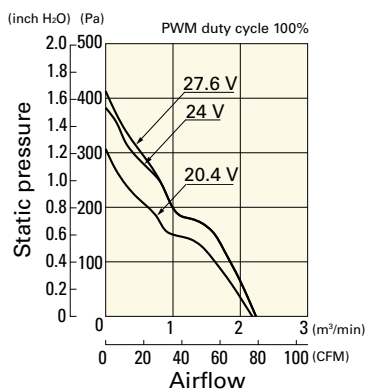


**9GA0824P1H61** With pulse sensor with PWM control function

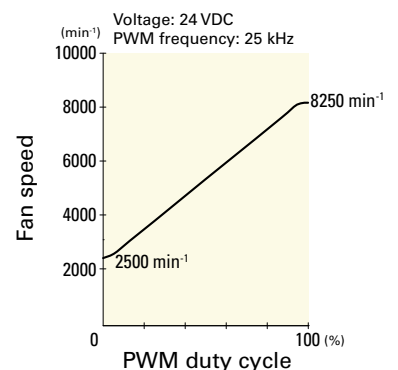
PWM duty cycle



Operating voltage range



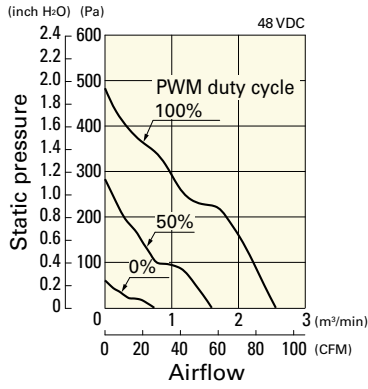
PWM duty - Speed characteristics example



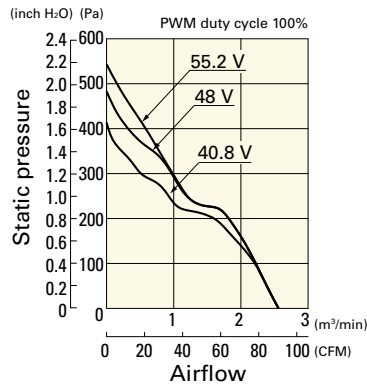
**Airflow - Static Pressure Characteristics / PWM Duty - Speed Characteristics Example**

**9GA0848P1S61** With pulse sensor with PWM control function

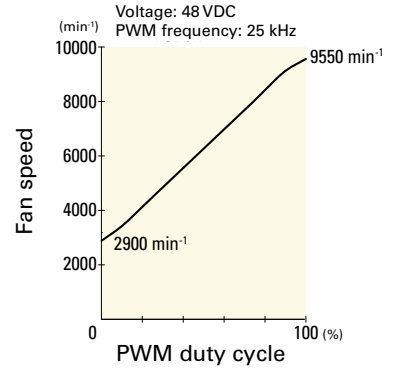
PWM duty cycle



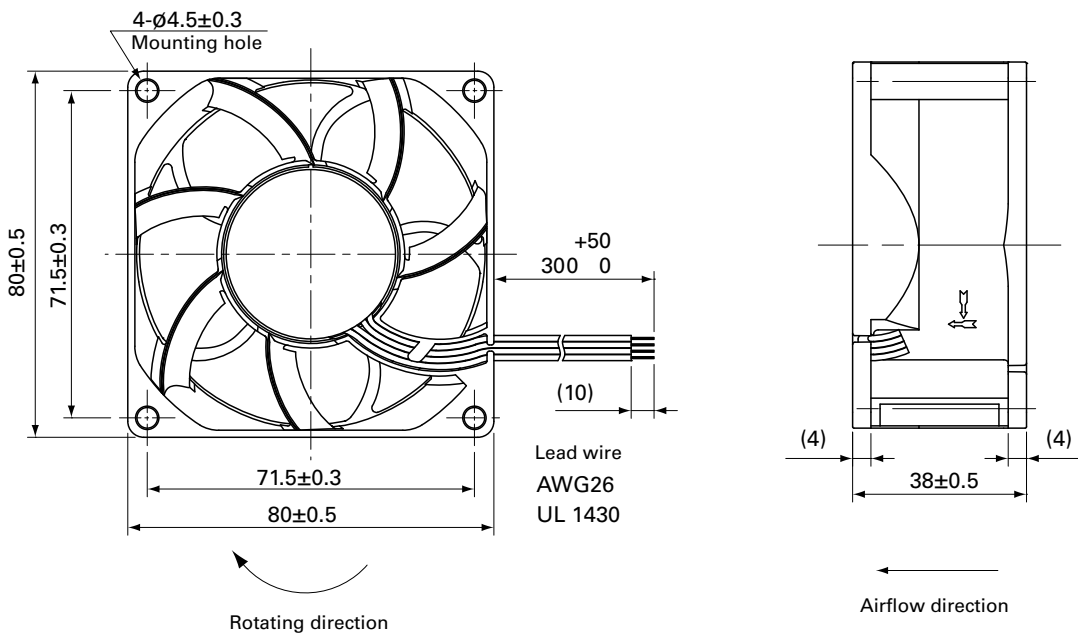
Operating voltage range



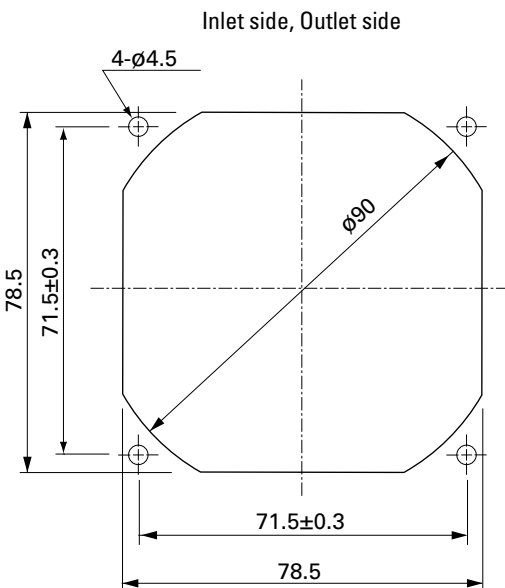
PWM duty - Speed characteristics example



**Dimensions (unit: mm) (With ribs)**



**Reference Dimensions of Mounting Holes and Vent Opening (unit: mm)**





## Options

---

### Finger guards

page: p. 558

Model no.: 109-049E, 109-049H, 109-049C

### Resin finger guards

page: p. 565

Model no.: 109-1002G

### Resin filter kits

page: p. 566

Model no.: 109-1002F13 (13PPI), 109-1002F20 (20PPI),  
109-1002F30 (30PPI), 109-1002F40 (40PPI)

DC Fan



# 80×80×38 mm

**San Ace 80 9GV** type

## General Specifications

- Material ..... Frame: Plastic (Flammability: UL 94V-0), Impeller: Plastic (Flammability: UL 94V-1)
- Expected life ..... See the table below. (L10 life: 90% survival rate for continuous operation in free air at 60°C, rated voltage)  
Expected life at 40°C is for reference only.
- Motor protection function ..... Locked rotor burnout protection, Reverse polarity protection  
For details, please refer to p. 573.
- Dielectric strength ..... 50/60 Hz, 500 VAC, for 1 minute (between lead wire conductors and frame)
- Insulation resistance ..... 10 MΩ or more with a 500 VDC megger (between lead wire conductors and frame)
- Sound pressure level (SPL) ..... At 1 m away from the air inlet
- Storage temperature ..... -30 to +70°C (Non-condensing)
- Lead wire ..... ⊕Red ⊖Black  Sensor  Yellow  Control  Brown
- Mass ..... 220 g

## Specifications

The models listed below **have ribs and pulse sensors with PWM control function.** For models without ribs, append "1" to the end of model numbers.

Model no.	Rated voltage [V]	Operating voltage range [V]	PWM duty cycle* [%]	Rated current [A]	Rated input [W]	Rated speed [min <sup>-1</sup> ]	Max. airflow [m <sup>3</sup> /min] [CFM]	Max. static pressure [Pa] [inchH <sub>2</sub> O]	SPL [dB (A)]	Operating temperature [°C]	Expected life [h]
9GV0812P1G03	12	10.8 to 13.2	100	3.8	45.6	10200	3.9 138.0	490.0 1.97	65	-20 to +70	40000/60°C (70000/40°C)
			0	0.32	3.84	3000	1.15 40.6	42.4 0.17	34		
9GV0812P1H03	12	10.8 to 13.2	100	3.0	36.0	9700	3.7 131.0	440.0 1.77	63		
			0	0.2	2.4	2900	1.11 39.2	39.0 0.16	34		
9GV0812P1F03	12	10.2 to 13.8	100	1.5	18	8000	3.05 108.0	301.0 1.21	58		
			0	0.12	1.44	2400	0.92 32.0	27.1 0.11	26		
9GV0812P1M03	12	10.2 to 13.8	100	0.75	9	6000	2.29 81.0	169.0 0.68	51		
			0	0.09	1.08	1700	0.65 23.0	13.6 0.05	19		
9GV0824P1G03	24	20.4 to 27.6	100	1.6	38.4	10200	3.9 138.0	490.0 1.97	65		
			0	0.3	7.2	4700	1.79 63.2	104.0 0.41	44		
9GV0848P1G03	48	40.8 to 55.2	100	0.84	40.32	10200	3.9 138.0	490.0 1.97	65		
			0	0.15	7.2	4700	1.79 63.2	104.0 0.41	44		

\* PWM input frequency is 25 kHz; models without specifications at 0% PWM duty cycle have zero fan speed at 0%.

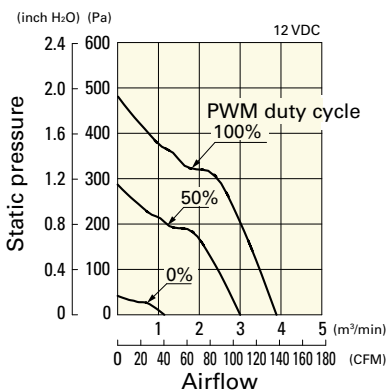
The following sensor and control options are available for selection.

Differs according to the model. Refer to the table on p. 606. Without sensor Pulse sensor Lock sensor

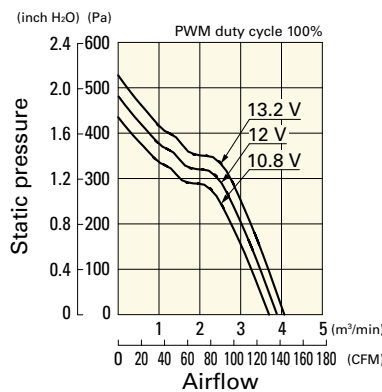
## Airflow - Static Pressure Characteristics / PWM Duty - Speed Characteristics Example

**9GV0812P1G03** With pulse sensor with PWM control function

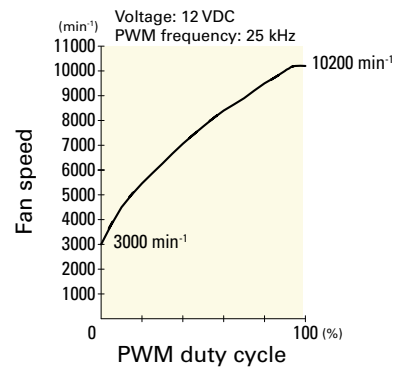
PWM duty cycle



Operating voltage range



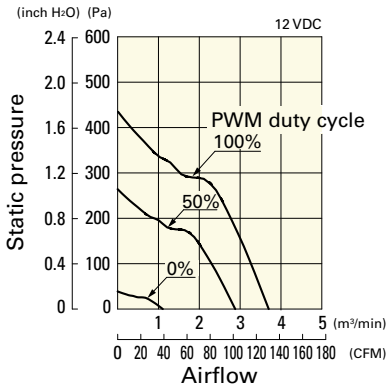
PWM duty - Speed characteristics example



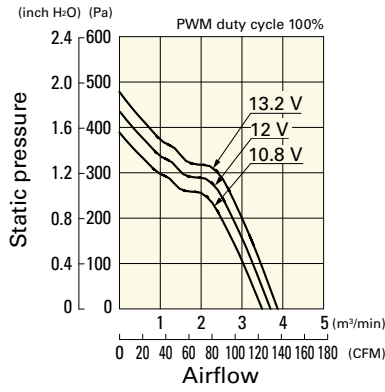
**Airflow - Static Pressure Characteristics / PWM Duty - Speed Characteristics Example**

**9GV0812P1H03** With pulse sensor with PWM control function

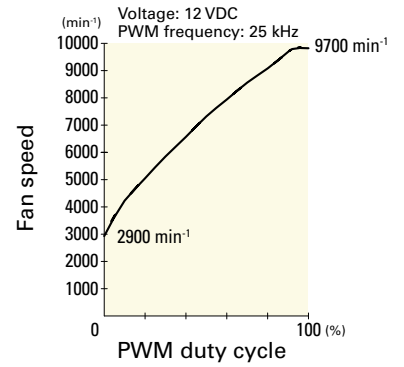
PWM duty cycle



Operating voltage range

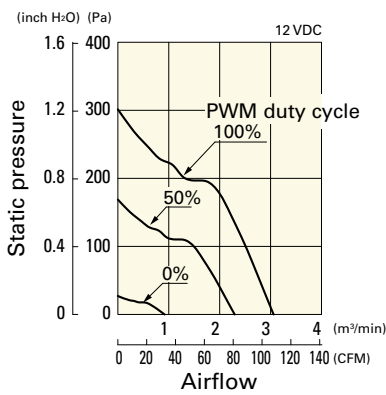


PWM duty - Speed characteristics example

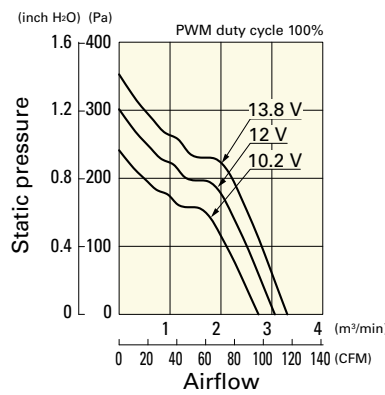


**9GV0812P1F03** With pulse sensor with PWM control function

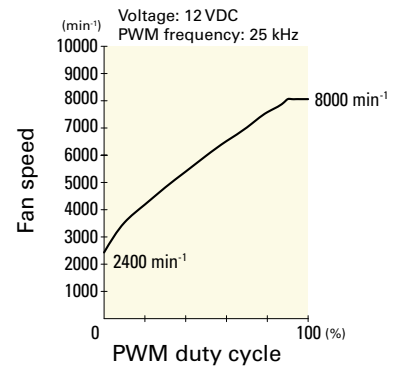
PWM duty cycle



Operating voltage range

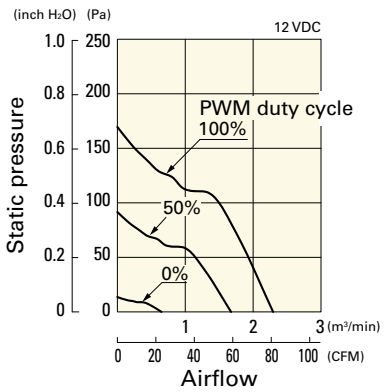


PWM duty - Speed characteristics example

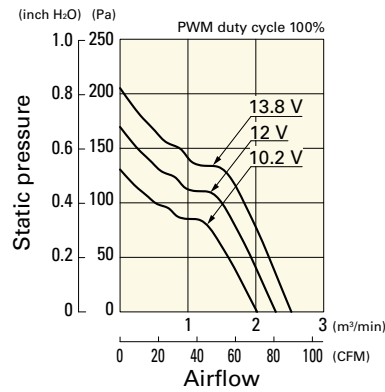


**9GV0812P1M03** With pulse sensor with PWM control function

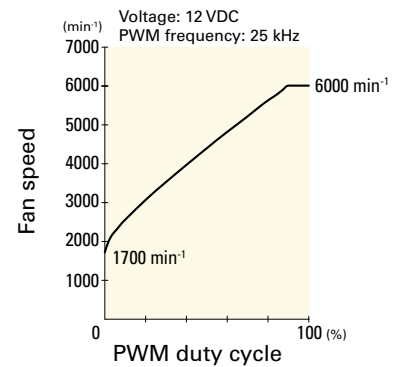
PWM duty cycle



Operating voltage range

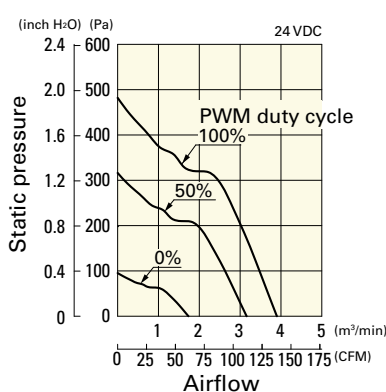


PWM duty - Speed characteristics example

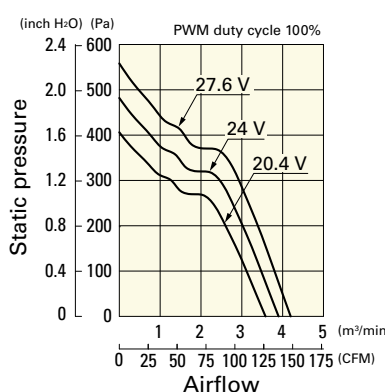


**9GV0824P1G03** With pulse sensor with PWM control function

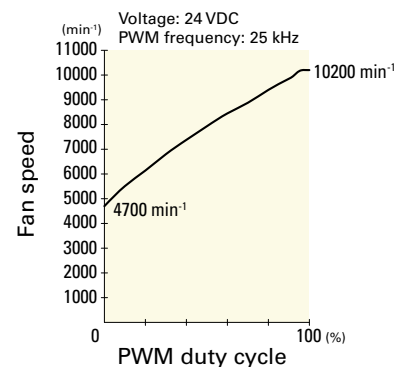
PWM duty cycle



Operating voltage range



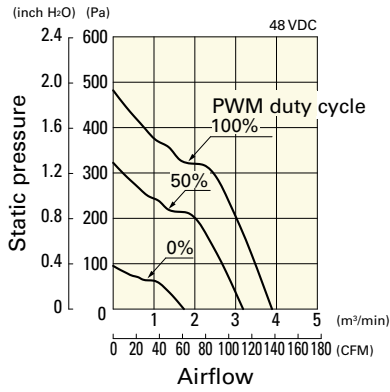
PWM duty - Speed characteristics example



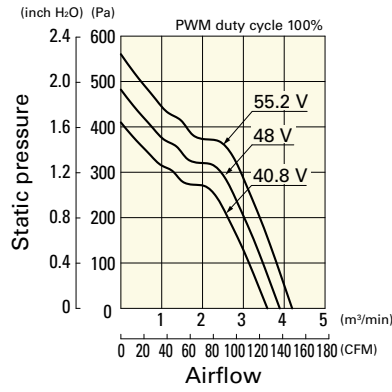
## Airflow - Static Pressure Characteristics / PWM Duty - Speed Characteristics Example

**9GV0848P1G03** With pulse sensor with PWM control function

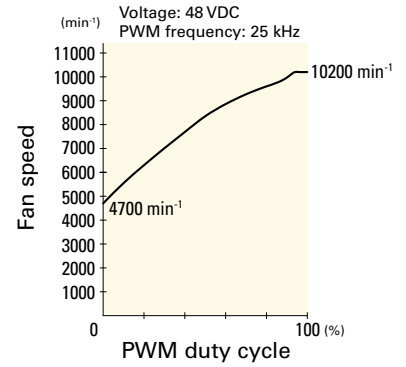
PWM duty cycle



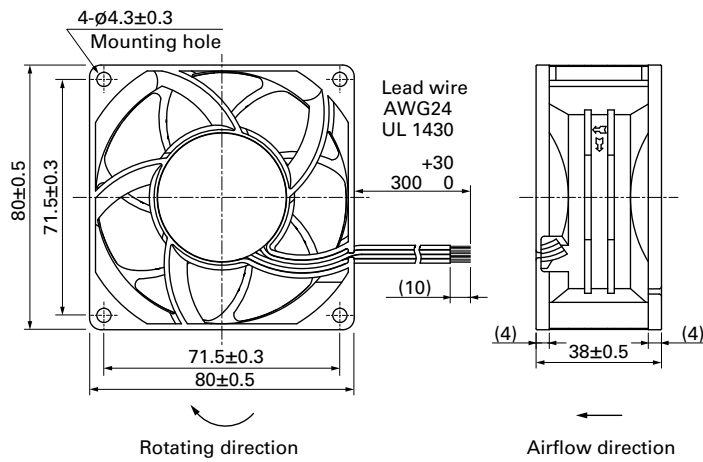
Operating voltage range



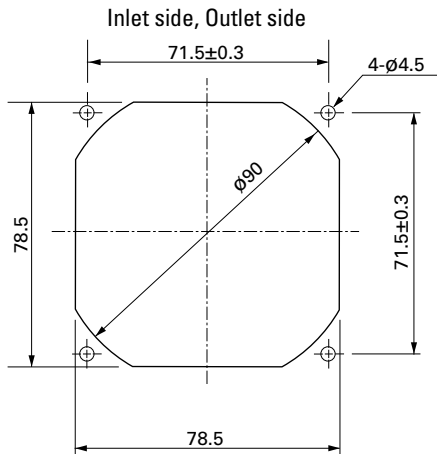
PWM duty - Speed characteristics example



## Dimensions (unit: mm) (With ribs)



## Reference Dimensions of Mounting Holes and Vent Opening (unit: mm)



## Options

Finger guards

page: p. 558

Model no.: 109-049E, 109-049H, 109-049C

Resin finger guards

page: p. 565

Model no.: 109-1002G

Resin filter kits

page: p. 566

Model no.: 109-1002F13 (13PPI), 109-1002F20 (20PPI),  
109-1002F30 (30PPI), 109-1002F40 (40PPI)



# 80×80×38 mm

San Ace 80 9G type

## General Specifications

- Material ..... Frame: Plastic (Flammability: UL 94V-0), Impeller: Plastic (Flammability: UL 94V-0)
- Expected life ..... See the table below. (L10 life: 90% survival rate for continuous operation in free air at 60°C, rated voltage)  
Expected life at 40°C is for reference only.
- Motor protection function ..... Locked rotor burnout protection, Reverse polarity protection  
For details, please refer to p. 573.
- Dielectric strength ..... 50/60 Hz, 500 VAC, for 1 minute (between lead wire conductors and frame)
- Insulation resistance ..... 10 MΩ or more with a 500 VDC megger (between lead wire conductors and frame)
- Sound pressure level (SPL) ..... At 1 m away from the air inlet
- Storage temperature ..... -30 to +70°C (Non-condensing)
- Lead wire ..... ⊕Red ⊖Black Sensor Yellow
- Mass ..... 170 g

## Specifications

The models listed below **have ribs and pulse sensors**. For models without ribs, append "1" to the end of model numbers.

Model no.	Rated voltage [V]	Operating voltage range [V]	Rated current [A]	Rated input [W]	Rated speed [min <sup>-1</sup> ]	Max. airflow [m <sup>3</sup> /min] [CFM]	Max. static pressure [Pa] [inchH <sub>2</sub> O]	SPL [dB (A)]	Operating temperature [°C]	Expected life [h]
9G0812K101	12	10.8 to 13.2	1.8	21.6	7800	3.1 107.3	310 1.285	58	-20 to +60	40000/60°C (70000/40°C)
9G0812G101		7 to 13.8	1.1	13.2	6300	2.55 90	211 0.847	51		
9G0812H101			0.9	10.8	5700	2.28 80	171 0.687	49		
9G0824G101	24	20.4 to 27.6	0.56	13.4	6300	2.55 90	211 0.847	51		
9G0824H101			0.42	10.1	5700	2.28 80	171 0.687	49		
9G0848G101	48	40.8 to 55.2	0.27	13.0	6300	2.55 90	211 0.847	51		
9G0848H101			0.2	9.6	5700	2.28 80	171 0.687	49		

The following sensor and control options are available for selection.

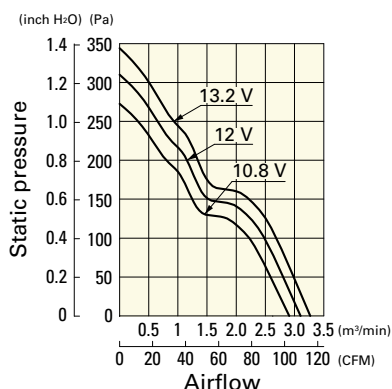
Available for all models. **Without sensor**

Differs according to the model. Refer to the table on p. 600. **Lock sensor** **PWM control**

## Airflow - Static Pressure Characteristics

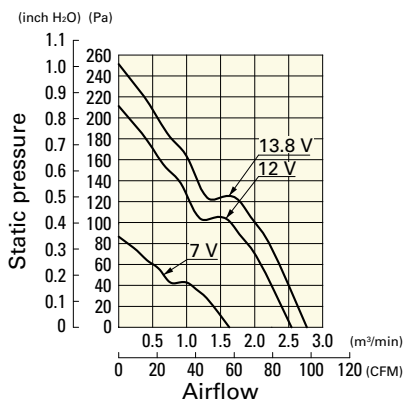
**9G0812K101** With pulse sensor

Operating voltage range



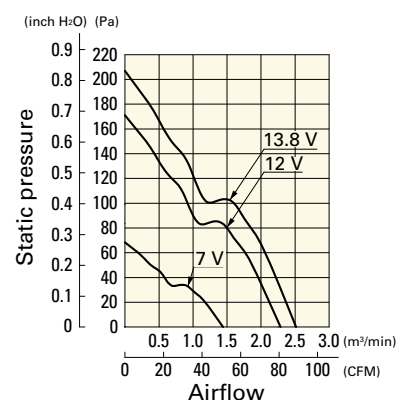
**9G0812G101** With pulse sensor

Operating voltage range



**9G0812H101** With pulse sensor

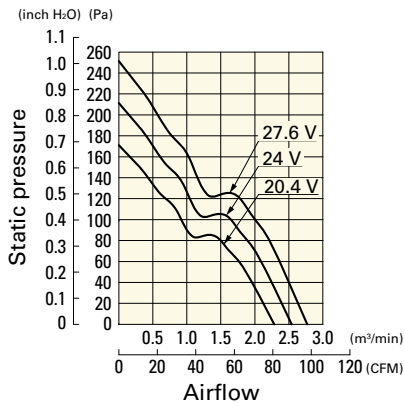
Operating voltage range



**Airflow - Static Pressure Characteristics**

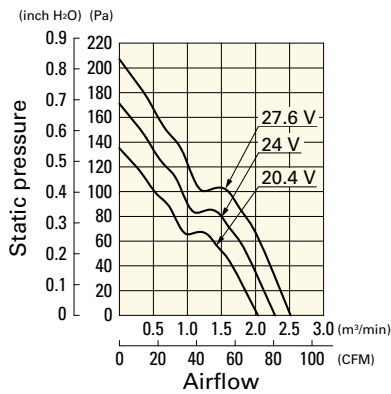
**9G0824G101** With pulse sensor

Operating voltage range



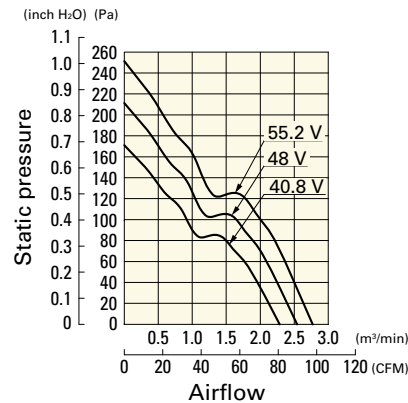
**9G0824H101** With pulse sensor

Operating voltage range



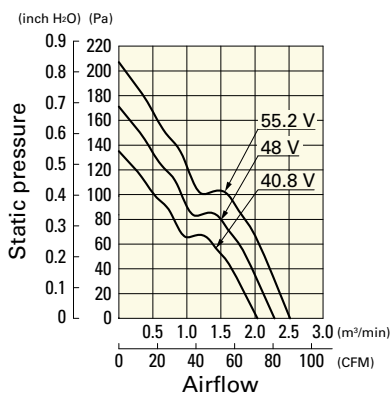
**9G0848G101** With pulse sensor

Operating voltage range

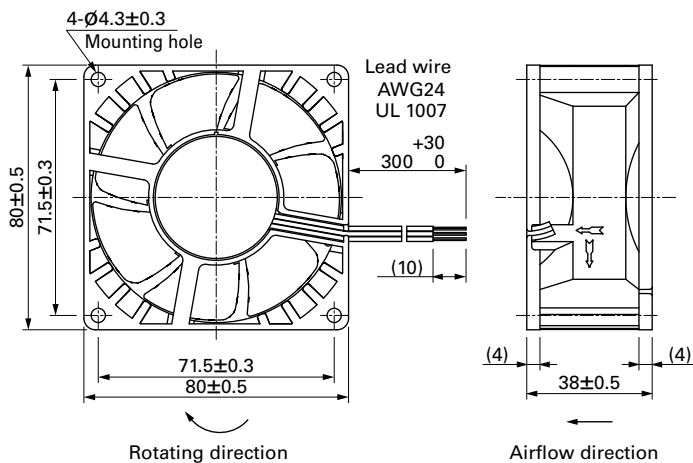


**9G0848H101** With pulse sensor

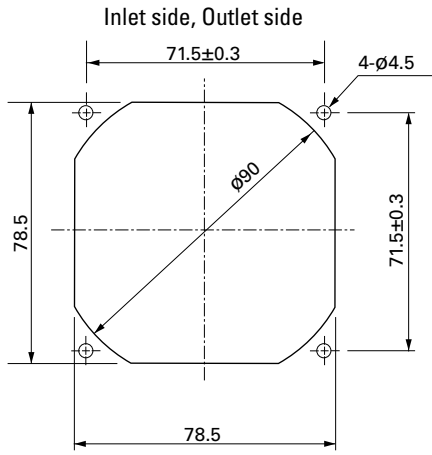
Operating voltage range



**Dimensions (unit: mm)** (With ribs)



**Reference Dimensions of Mounting Holes and Vent Opening (unit: mm)**



**Options**

**Finger guards** page: p. 558

Model no.: 109-049E, 109-049H, 109-049C

**Resin finger guards** page: p. 565

Model no.: 109-1002G

**Resin filter kits** page: p. 566

Model no.: 109-1002F13 (13PPI), 109-1002F20 (20PPI),  
109-1002F30 (30PPI), 109-1002F40 (40PPI)



# 92x92x25 mm

**San Ace 92 9GA** type Low Power Consumption Fan

## General Specifications

- Material ..... Frame: Plastic (Flammability: UL 94V-0), Impeller: Plastic (Flammability: UL 94V-0)
- Expected life ..... See the table below. (L10 life: 90% survival rate for continuous operation in free air at 60°C, rated voltage)  
Expected life at 40°C is for reference only.
- Motor protection function ..... Locked rotor burnout protection, Reverse polarity protection  
For details, please refer to p. 573.
- Dielectric strength ..... 50/60 Hz, 500 VAC, for 1 minute (between lead wire conductors and frame)
- Insulation resistance ..... 10 MΩ or more with a 500 VDC megger (between lead wire conductors and frame)
- Sound pressure level (SPL) ..... At 1 m away from the air inlet
- Storage temperature ..... -30 to +70°C (Non-condensing)
- Lead wire ..... ⊕Red ⊖Black (Sensor) Yellow (Control) Brown  
(For models without PWM control function, there is no speed control wiring.)
- Mass ..... 125 g

## Specifications

The models listed below **have ribs and pulse sensors with PWM control function.** For models without ribs, append "1" to the end of model numbers.

Model no.	Rated voltage [V]	Operating voltage range [V]	PWM duty cycle [%]	Rated current [A]	Rated input [W]	Rated speed [min <sup>-1</sup> ]	Max. airflow [m <sup>3</sup> /min] [CFM]	Max. static pressure [Pa] [inchH <sub>2</sub> O]	SPL [dB (A)]	Operating temperature [°C]	Expected life [h]
» 9GA0912P4J03	12	10.2 to 13.8	100	0.39	4.68	5000	2.2 77.7	105 0.42	43	-20 to +70	60000/60°C (90000/40°C)
» 9GA0912P4G03			0	0.06	0.72	1500	0.65 23.3	9.4 0.04	14		
» 9GA0912P4S03			100	0.28	3.36	4400	1.93 68.2	81 0.33	39		
» 9GA0924P4J03			0	0.06	0.72	1500	0.65 23.3	9.4 0.04	14		
» 9GA0924P4G03			100	0.2	2.4	3800	1.67 59.0	60.6 0.24	35		
» 9GA0924P4S03			0	0.06	0.72	1500	0.65 23.3	9.4 0.04	14		
» 9GA0924P4J03	24	20.4 to 27.6	100	0.2	4.8	5000	2.2 77.7	105 0.42	43		
» 9GA0924P4G03			0	0.04	0.96	1500	0.65 23.3	9.4 0.04	14		
» 9GA0924P4S03			100	0.15	3.6	4400	1.93 68.2	81 0.33	39		
» 9GA0924P4J03			0	0.04	0.96	1500	0.65 23.3	9.4 0.04	14		
» 9GA0924P4G03			100	0.12	2.88	3800	1.67 59.0	60.6 0.24	35		
» 9GA0924P4S03			0	0.04	0.96	1500	0.65 23.3	9.4 0.04	14		

\* PWM input frequency is 25 kHz; models without specifications at 0% PWM duty cycle have zero fan speed at 0%.

The following sensor and control options are available for selection.

Available for all models. **Without sensor** **Pulse sensor**

Differs according to the model. Refer to the table on pp. 604 to 605. **Lock sensor**

The models listed below **have ribs and pulse sensors.** For models without ribs, append "1" to the end of model numbers.

Model no.	Rated voltage [V]	Operating voltage range [V]	Rated current [A]	Rated input [W]	Rated speed [min <sup>-1</sup> ]	Max. airflow [m <sup>3</sup> /min] [CFM]	Max. static pressure [Pa] [inchH <sub>2</sub> O]	SPL [dB (A)]	Operating temperature [°C]	Expected life [h]
» 9GA0912H401	12	10.2 to 13.8	0.19	2.28	3300	1.45 51.2	45.6 0.18	31	-20 to +70	60000/60°C (90000/40°C)
» 9GA0912W401		7 to 16	0.19	2.28	3300	1.45 51.2	45.6 0.18	31		
» 9GA0912F401		10.2 to 13.8	0.14	1.68	2800	1.23 43.5	32.9 0.13	28		
» 9GA0912M401			0.11	1.32	2400	1.05 37.1	24 0.096	24		
» 9GA0912L401			0.09	1.08	2000	0.87 30.7	16.7 0.067	21		
» 9GA0924H401		24	20.4 to 27.6	0.09	2.16	3300	1.45 51.2	45.6 0.18		
» 9GA0924W401	12 to 28.8		0.09	2.16	3300	1.45 51.2	45.6 0.18	31		
» 9GA0924F401	16 to 27.6		0.08	1.92	2800	1.23 43.5	32.9 0.13	28		
» 9GA0924M401	14 to 27.6		0.05	1.2	2400	1.05 37.1	24 0.096	24		
» 9GA0924L401			0.03	0.72	2000	0.87 30.7	16.7 0.067	21		

The following sensor and control options are available for selection.

Available for all models. **Without sensor** **Lock sensor**

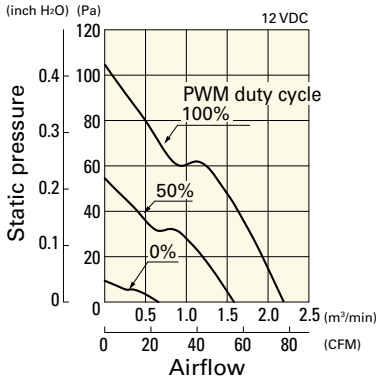
The » mark indicates Short Lead Time Service applicable models. See p. 626 for details.



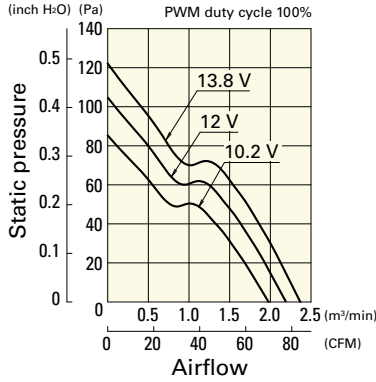
**Airflow - Static Pressure Characteristics / PWM Duty - Speed Characteristics Example**

**9GA0912P4J03** With pulse sensor with PWM control function

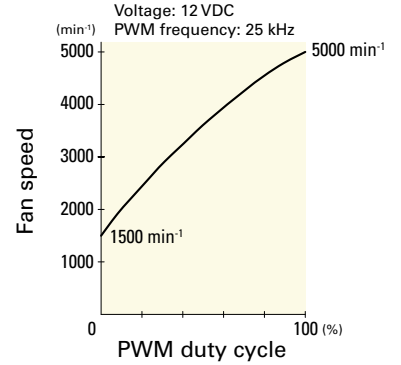
PWM duty cycle



Operating voltage range

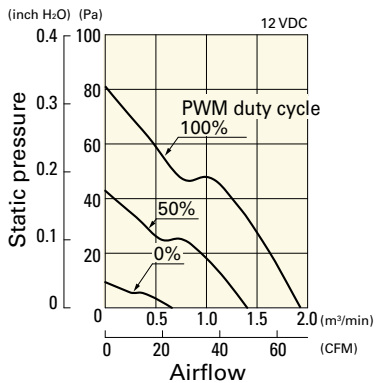


PWM duty - Speed characteristics example

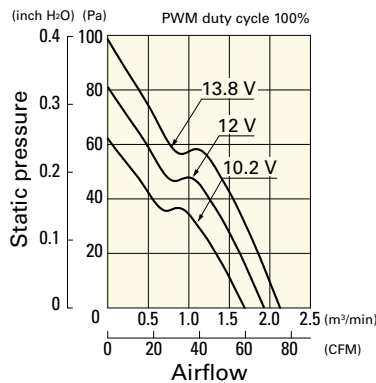


**9GA0912P4G03** With pulse sensor with PWM control function

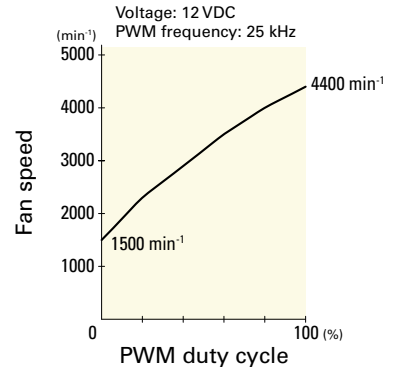
PWM duty cycle



Operating voltage range

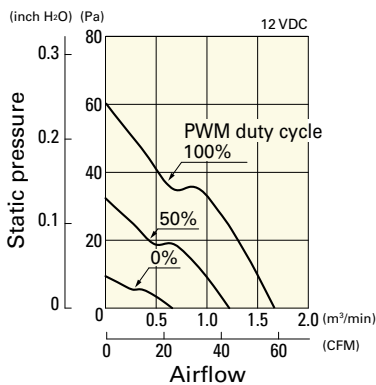


PWM duty - Speed characteristics example

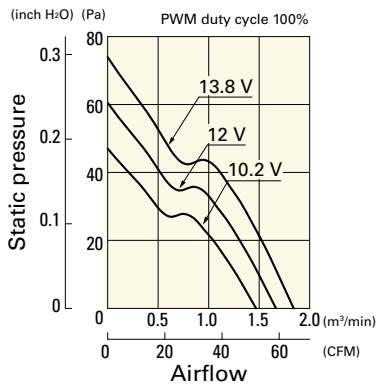


**9GA0912P4S03** With pulse sensor with PWM control function

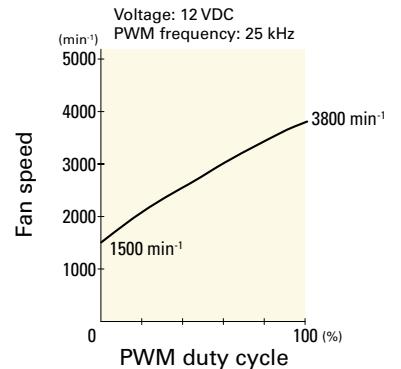
PWM duty cycle



Operating voltage range

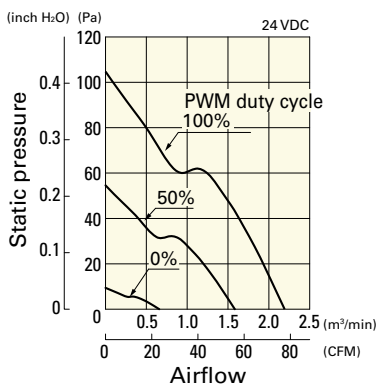


PWM duty - Speed characteristics example

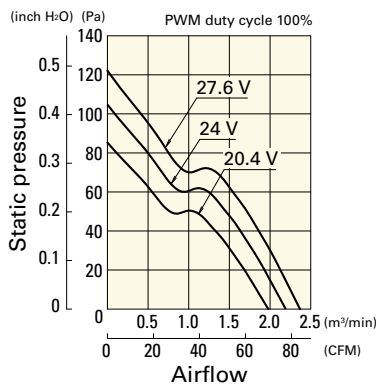


**9GA0924P4J03** With pulse sensor with PWM control function

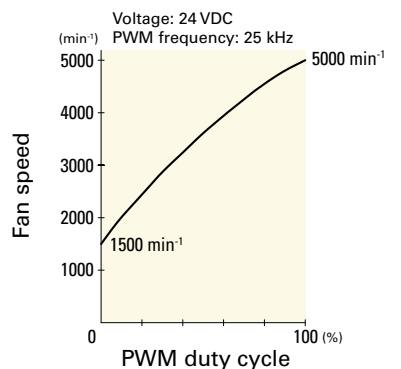
PWM duty cycle



Operating voltage range



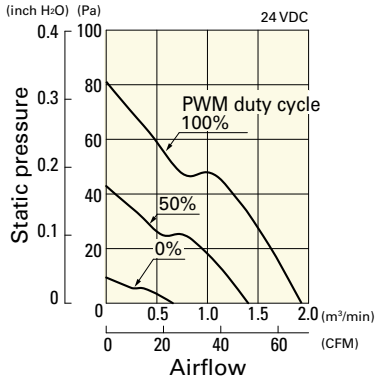
PWM duty - Speed characteristics example



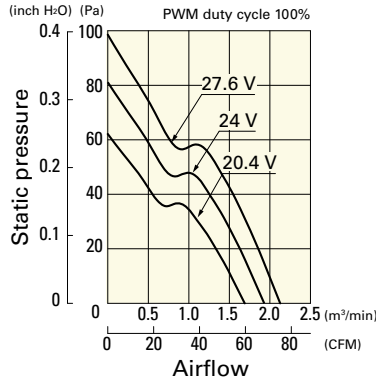
**Airflow - Static Pressure Characteristics / PWM Duty - Speed Characteristics Example**

**9GA0924P4G03** With pulse sensor with PWM control function

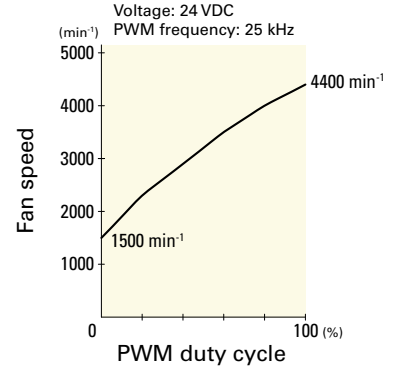
PWM duty cycle



Operating voltage range

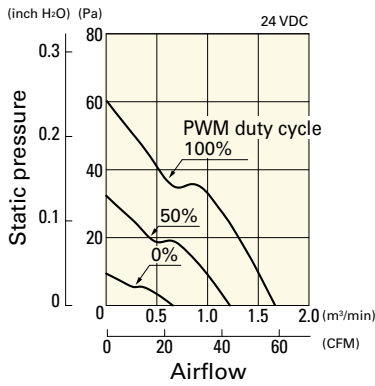


PWM duty - Speed characteristics example

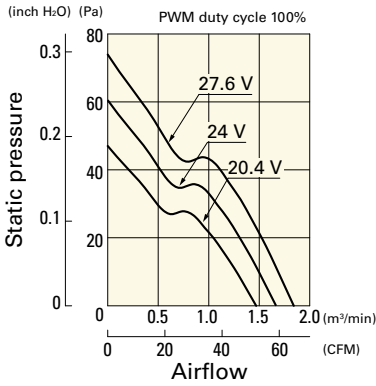


**9GA0924P4S03** With pulse sensor with PWM control function

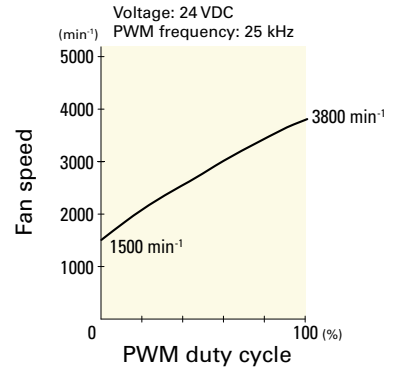
PWM duty cycle



Operating voltage range



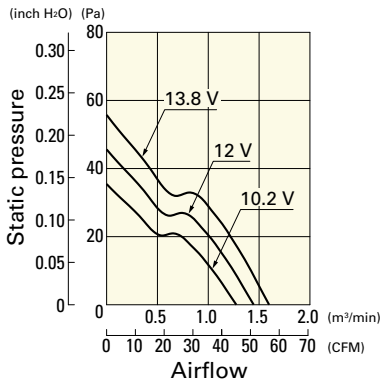
PWM duty - Speed characteristics example



**Airflow - Static Pressure Characteristics**

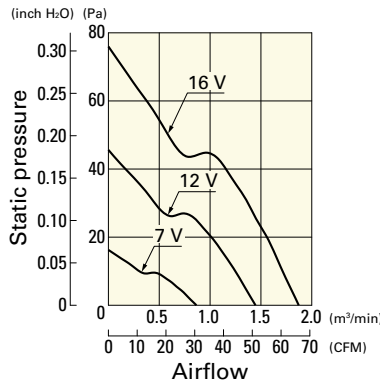
**9GA0912H401** With pulse sensor

Operating voltage range



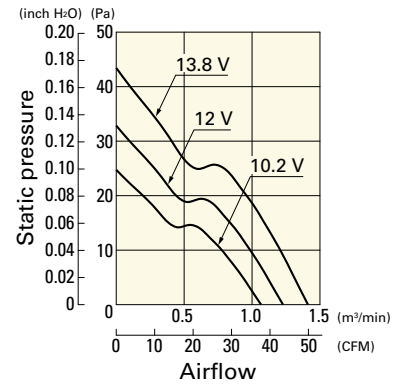
**9GA0912W401** With pulse sensor

Operating voltage range



**9GA0912F401** With pulse sensor

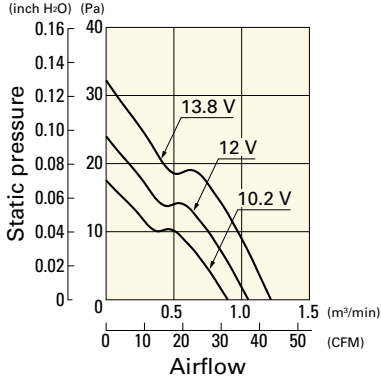
Operating voltage range



**Airflow - Static Pressure Characteristics**

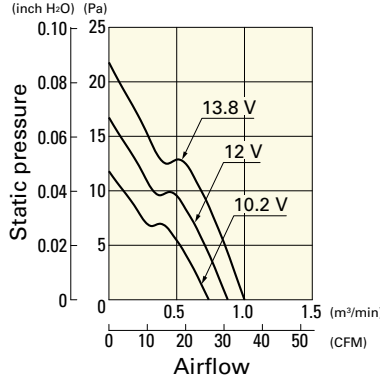
**9GA0912M401** With pulse sensor

Operating voltage range



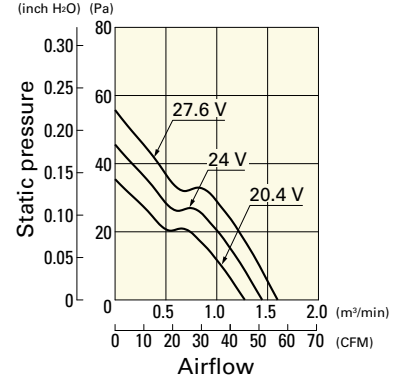
**9GA0912L401** With pulse sensor

Operating voltage range



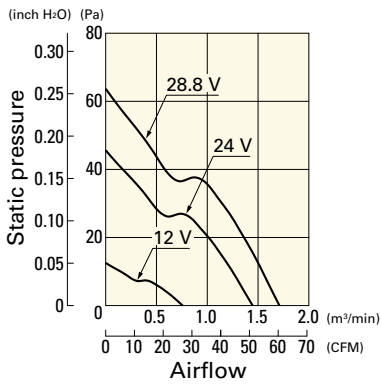
**9GA0924H401** With pulse sensor

Operating voltage range



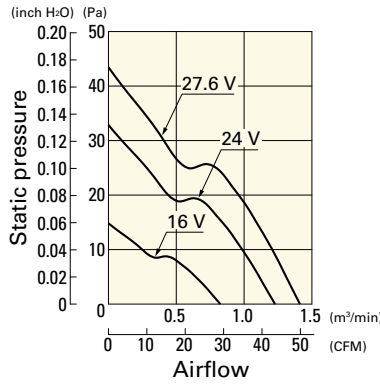
**9GA0924W401** With pulse sensor

Operating voltage range



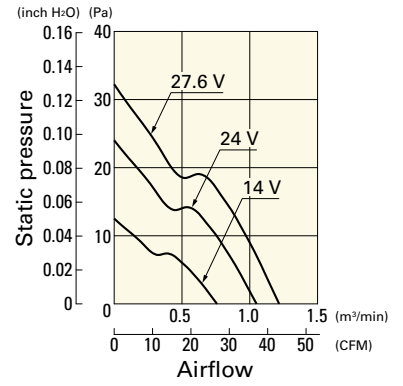
**9GA0924F401** With pulse sensor

Operating voltage range



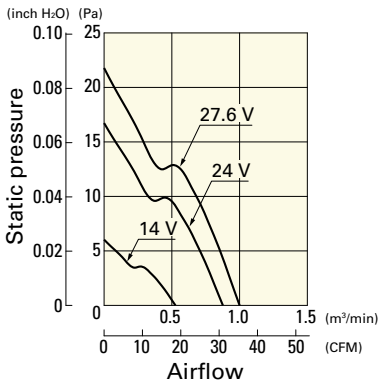
**9GA0924M401** With pulse sensor

Operating voltage range

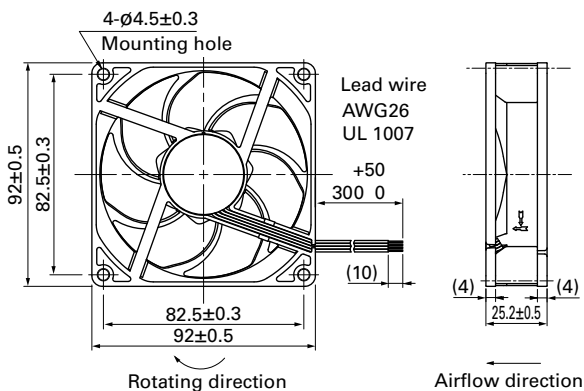


**9GA0924L401** With pulse sensor

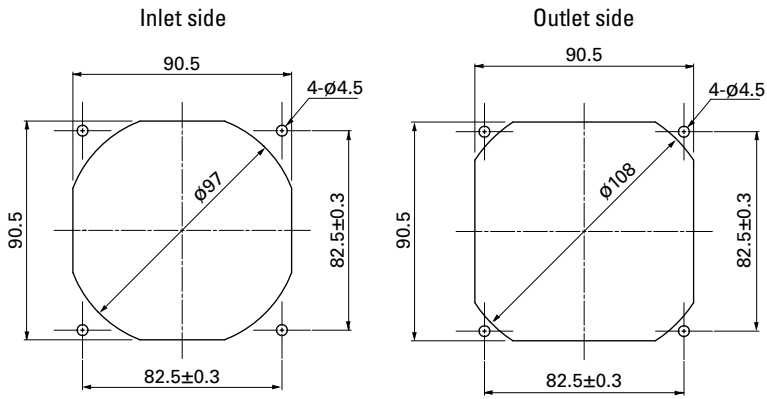
Operating voltage range



**Dimensions (unit: mm)** (With ribs)



Reference Dimensions of Mounting Holes and Vent Opening (unit: mm)



Options

Finger guards

page: p. 558

Model no.: 109-099E, 109-099H, 109-099C

Resin finger guards

page: p. 565

Model no.: 109-1001G

Resin filter kits

page: p. 566

Model no.: 109-1001F13 (13PPI), 109-1001F20 (20PPI),  
109-1001F30 (30PPI), 109-1001F40 (40PPI)

# 92x92x25 mm

San Ace 92 9S type Silent Fan 



## General Specifications

- Material ..... Frame: Plastic (Flammability: UL 94V-0), Impeller: Plastic (Flammability: UL 94V-1)
- Expected life ..... See the table below. (L10 life: 90% survival rate for continuous operation in free air at 60°C, rated voltage)  
Expected life at 40°C is for reference only.
- Motor protection function ..... Locked rotor burnout protection, Reverse polarity protection  
For details, please refer to p. 573.
- Dielectric strength ..... 50/60 Hz, 500 VAC, for 1 minute (between lead wire conductors and frame)
- Insulation resistance ..... 10 MΩ or more with a 500 VDC megger (between lead wire conductors and frame)
- Sound pressure level (SPL) ..... At 1 m away from the air inlet
- Storage temperature ..... -30 to +70°C (Non-condensing)
- Lead wire ..... ⊕Red ⊖Black Sensor Yellow
- Mass ..... 100 g

## Specifications

The models listed below **have ribs and pulse sensors**. For models without ribs, append "1" to the end of model numbers.

Model no.	Rated voltage [V]	Operating voltage range [V]	Rated current [A]	Rated input [W]	Rated speed [min <sup>-1</sup> ]	Max. airflow [m <sup>3</sup> /min] [CFM]	Max. static pressure [Pa] [inchH <sub>2</sub> O]	SPL [dB (A)]	Operating temperature [°C]	Expected life [h]
» 9S0912F401	12	5.0 to 13.8	0.14	1.68	2650	1.26 44.5	30.0 0.12	27	-10 to +70	40000/60°C (70000/40°C)
» 9S0912M401			0.11	1.32	2250	1.07 37.8	21.6 0.087	22		
» 9S0912L401		6.0 to 13.8	0.07	0.84	1750	0.83 29.3	13.1 0.053	17		
» 9S0924F401	24	14 to 26.4	0.09	2.16	2650	1.26 44.5	30.0 0.12	27		
» 9S0924M401			0.07	1.68	2250	1.07 37.8	21.6 0.087	22		
» 9S0924L401			0.04	0.96	1750	0.83 29.3	13.1 0.053	17		

The following sensor and control options are available for selection.

Available for all models. Without sensor

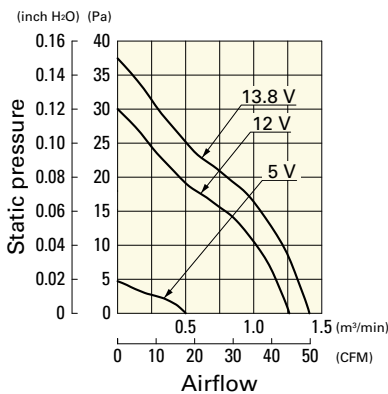
Differs according to the model. Refer to the table on pp. 609 to 610. Lock sensor PWM control

The » mark indicates Short LeadTime Service applicable models. See p. 626 for details.

## Airflow - Static Pressure Characteristics

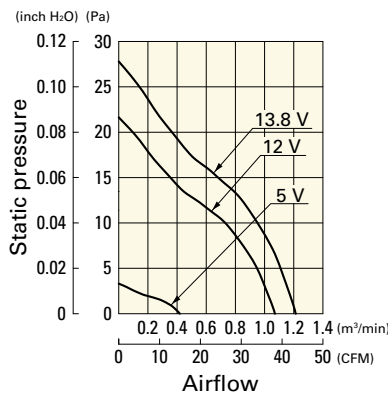
**9S0912F401** With pulse sensor

Operating voltage range



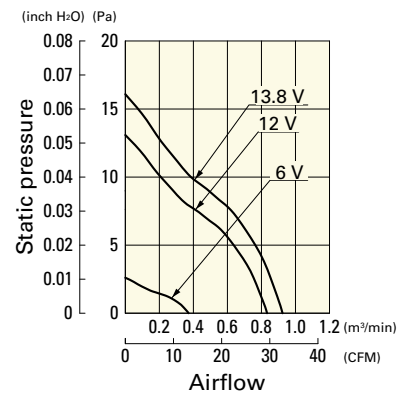
**9S0912M401** With pulse sensor

Operating voltage range



**9S0912L401** With pulse sensor

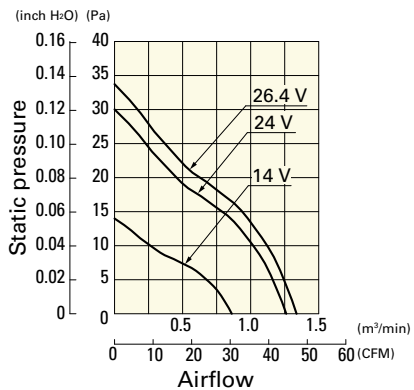
Operating voltage range



**Airflow - Static Pressure Characteristics**

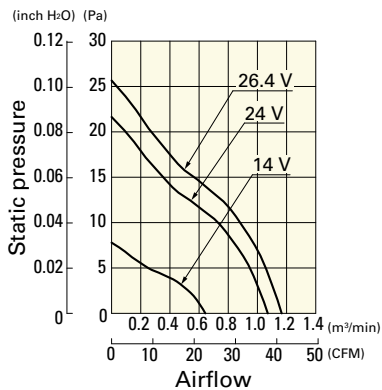
**9S0924F401** With pulse sensor

Operating voltage range



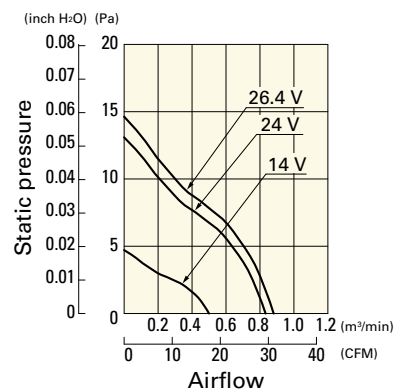
**9S0924M401** With pulse sensor

Operating voltage range

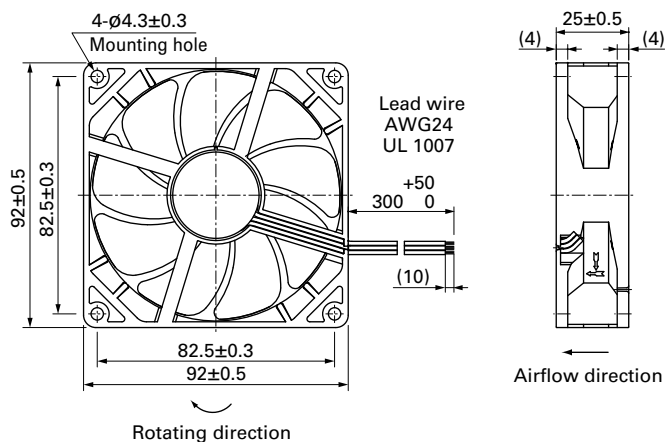


**9S0924L401** With pulse sensor

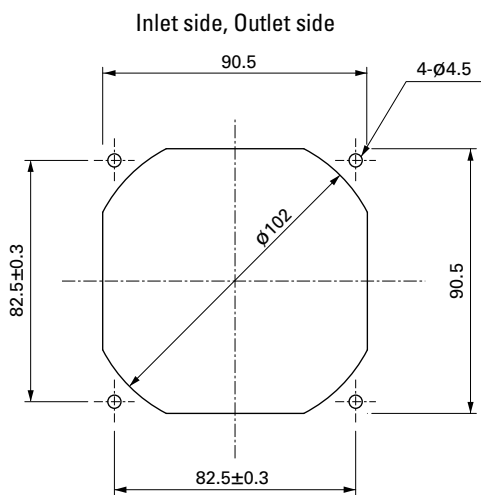
Operating voltage range



**Dimensions (unit: mm)** (With ribs)



**Reference Dimensions of Mounting Holes and Vent Opening (unit: mm)**



**Options**

Finger guards

page: p. 558

Model no.: 109-099E, 109-099H, 109-099C

Resin finger guards

page: p. 565




Model no.: 109-1001G

Resin filter kits

page: p. 566

Model no.: 109-1001F13 (13PPI), 109-1001F20 (20PPI), 109-1001F30 (30PPI), 109-1001F40 (40PPI)

# 92x92x25 mm

San Cooler 92 9A type   



## General Specifications

- Material ..... Frame: Plastic (Flammability: UL 94V-0), Impeller: Plastic (Flammability: UL 94V-0)
- Expected life ..... See the table below. (L10 life: 90% survival rate for continuous operation in free air at 60°C, rated voltage)  
Expected life at 40°C is for reference only.
- Motor protection function ..... Locked rotor burnout protection, Reverse polarity protection  
For details, please refer to p. 573.
- Dielectric strength ..... 50/60 Hz, 500 VAC, for 1 minute (between lead wire conductors and frame)
- Insulation resistance ..... 10 MΩ or more with a 500 VDC megger (between lead wire conductors and frame)
- Sound pressure level (SPL) ..... At 1 m away from the air inlet
- Storage temperature ..... -30 to +70°C (Non-condensing)
- Lead wire ..... ⊕Red ⊖Black or Blue Sensor Yellow
- Mass ..... 100 g

## Specifications

The models listed below **have ribs and pulse sensors**. For models without ribs, append "1" to the end of model numbers.

Model no.	Rated voltage [V]	Operating voltage range [V]	Rated current [A]	Rated input [W]	Rated speed [min <sup>-1</sup> ]	Max. airflow [m <sup>3</sup> /min] [CFM]	Max. static pressure [Pa] [inchH <sub>2</sub> O]	SPL [dB (A)]	Operating temperature [°C]	Expected life [h]
9A0912G401	12	6 to 13.8	0.39	4.68	3900	1.76 62.1	66.5 0.267	43	-20 to +60	30000/60°C (53000/40°C)
9A0912S401			0.27	3.24	3550	1.66 58.6	56.1 0.225	39		
9A0912H401			0.21	2.52	3150	1.45 51.2	44 0.177	33		
9A0912F401			0.14	1.68	2650	1.24 43.8	32.2 0.129	30		
9A0912M401			0.12	1.44	2250	1.04 36.7	22.6 0.091	27		
9A0912L401		7 to 13.8	0.07	0.84	1750	0.8 28.2	13.4 0.054	23		
9A0924G401	24	12 to 27.6	0.19	4.56	3900	1.76 62.1	66.5 0.267	43	-20 to +60	30000/60°C (53000/40°C)
9A0924S401			0.15	3.6	3550	1.66 58.6	56.1 0.225	39		
9A0924H401			0.1	2.4	3150	1.45 51.2	44 0.177	33		
9A0924F401			0.08	1.92	2650	1.24 43.8	32.2 0.129	30		
9A0924M401			0.05	1.2	2250	1.04 36.7	22.6 0.091	27		
9A0924L401		14 to 27.6	0.04	0.96	1750	0.8 28.2	13.4 0.054	23		
9A0948S401	48	40.5 to 53	0.08	3.84	3550	1.66 58.6	56.1 0.225	39	-20 to +60	

The following sensor and control options are available for selection.

Available for all models. Without sensor

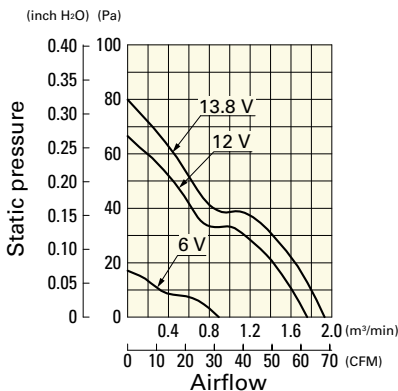
Differs according to the model. Refer to the table on p. 598. Lock sensor PWM control

The ⊗ mark indicates Short LeadTime Service applicable models. See p. 626 for details.

## Airflow - Static Pressure Characteristics

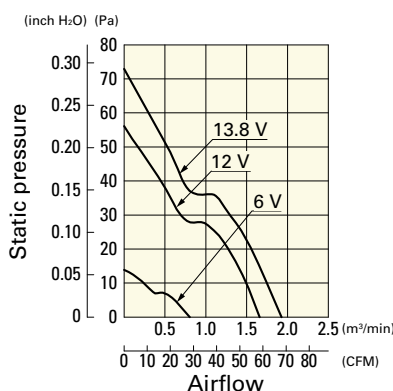
**9A0912G401** With pulse sensor

Operating voltage range



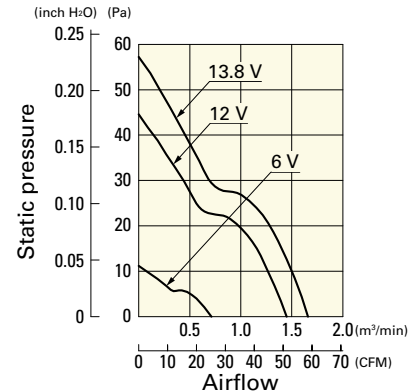
**9A0912S401** With pulse sensor

Operating voltage range



**9A0912H401** With pulse sensor

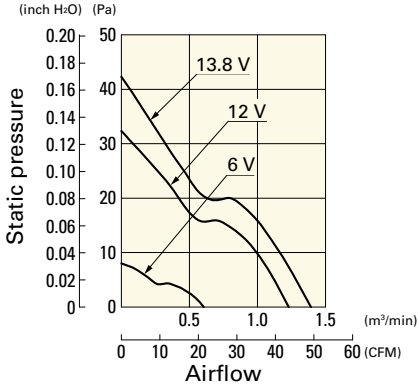
Operating voltage range



**Airflow - Static Pressure Characteristics**

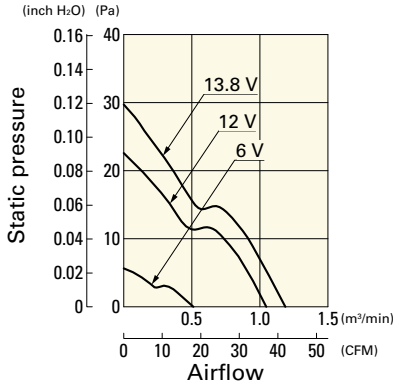
**9A0912F401** With pulse sensor

Operating voltage range



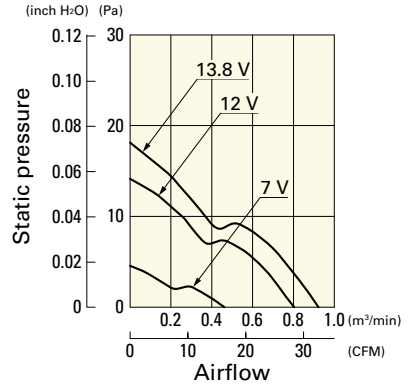
**9A0912M401** With pulse sensor

Operating voltage range



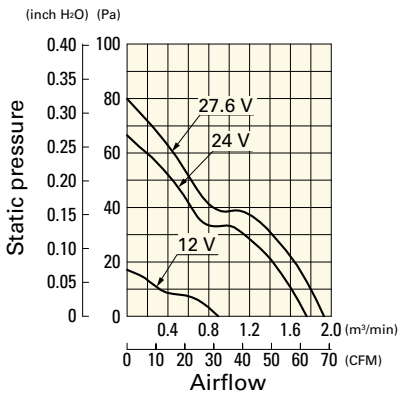
**9A0912L401** With pulse sensor

Operating voltage range



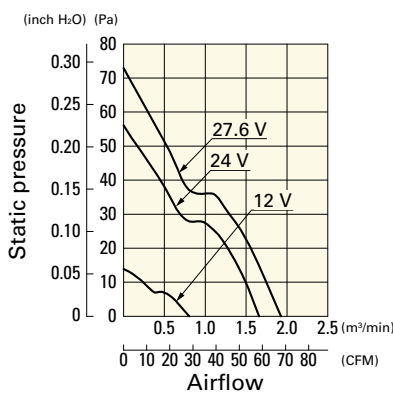
**9A0924G401** With pulse sensor

Operating voltage range



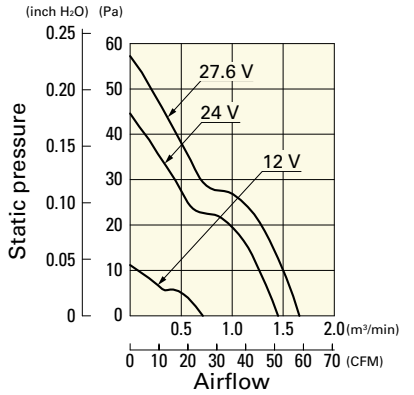
**9A0924S401** With pulse sensor

Operating voltage range



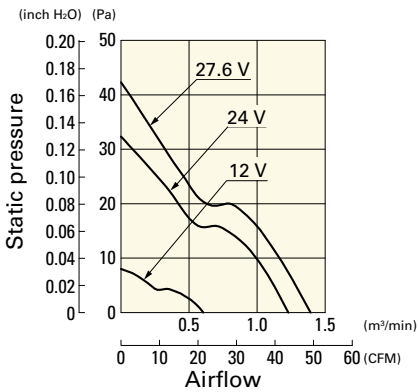
**9A0924H401** With pulse sensor

Operating voltage range



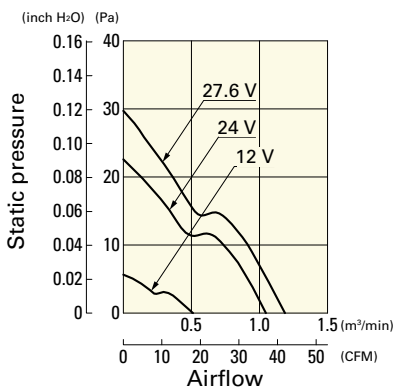
**9A0924F401** With pulse sensor

Operating voltage range



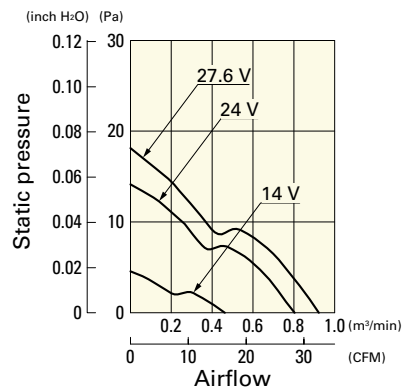
**9A0924M401** With pulse sensor

Operating voltage range



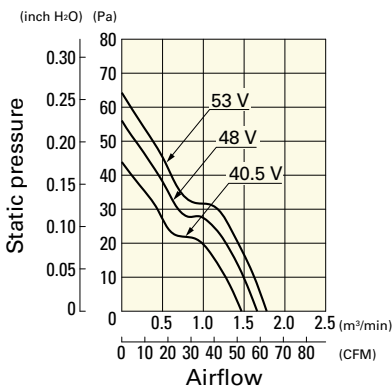
**9A0924L401** With pulse sensor

Operating voltage range



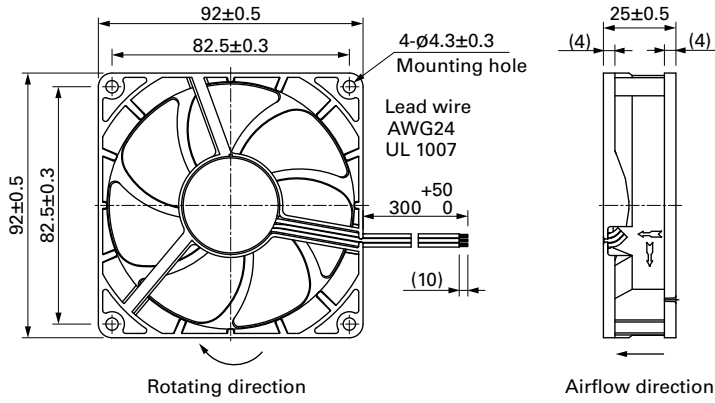
**9A0948S401** With pulse sensor

Operating voltage range

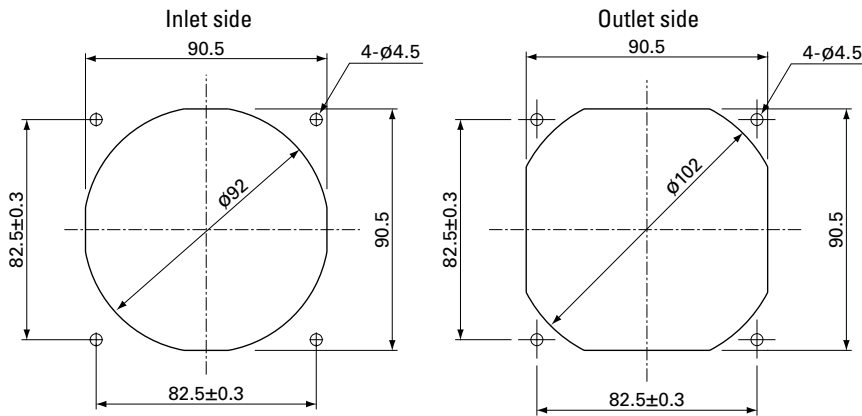




**Dimensions (unit: mm)** (With ribs)



**Reference Dimensions of Mounting Holes and Vent Opening (unit: mm)**



**Options**

**Finger guards**

page: p. 558

Model no.: 109-099E, 109-099H, 109-099C

**Resin finger guards**

page: p. 565

Model no.: 109-1001G

**Resin filter kits**

page: p. 566

Model no.: 109-1001F13 (13PPI), 109-1001F20 (20PPI),  
109-1001F30 (30PPI), 109-1001F40 (40PPI)

DC Fan



# 92x92x32 mm

San Ace 92 9G type

## General Specifications

- Material ..... Frame: Plastic (Flammability: UL 94V-0), Impeller: Plastic (Flammability: UL 94V-1)
- Expected life ..... See the table below. (L10 life: 90% survival rate for continuous operation in free air at 60°C, rated voltage)  
Expected life at 40°C is for reference only.
- Motor protection function ..... Locked rotor burnout protection, Reverse polarity protection  
For details, please refer to p. 573.
- Dielectric strength ..... 50/60 Hz, 500 VAC, for 1 minute (between lead wire conductors and frame)
- Insulation resistance ..... 10 MΩ or more with a 500 VDC megger (between lead wire conductors and frame)
- Sound pressure level (SPL) ..... At 1 m away from the air inlet
- Storage temperature ..... -30 to +70°C (Non-condensing)
- Lead wire ..... ⊕Red ⊖Black or Blue  Sensor Yellow
- Mass ..... 170 g

## Specifications

The models listed below **have ribs and pulse sensors**. For models without ribs, append "1" to the end of model numbers.

Model no.	Rated voltage [V]	Operating voltage range [V]	Rated current [A]	Rated input [W]	Rated speed [min <sup>-1</sup> ]	Max. airflow [m <sup>3</sup> /min] [CFM]	Max. static pressure [Pa] [inchH <sub>2</sub> O]	SPL [dB (A)]	Operating temperature [°C]	Expected life [h]
9G0912A201	12	10.2 to 13.8	0.58	6.96	4300	2.5 88.3	115 0.462	44	-20 to +70	40000/60°C (70000/40°C)
9G0912S201			0.38	4.56	3500	2.0 70.7	77 0.309	38		
9G0912H201			0.23	2.76	2850	1.59 56.2	51 0.205	32		
9G0912M201			0.13	1.56	2100	1.2 42.4	27 0.108	25		
9G0924A201	24	20.4 to 27.6	0.3	7.2	4300	2.5 88.3	115 0.462	44	-20 to +60	
9G0924S201			0.19	4.56	3500	2.0 70.7	77 0.309	38		
9G0924H201			0.12	2.88	2850	1.59 56.2	51 0.205	32		
9G0924M201			0.08	1.92	2100	1.2 42.4	27 0.108	25		
9G0948A201	48	40.8 to 55.2	0.16	7.68	4300	2.5 88.3	115 0.462	44	-20 to +70	
9G0948S201			0.11	5.28	3500	2.0 70.7	77 0.309	38		
9G0948H201			0.08	3.84	2850	1.59 56.2	51 0.205	32		
9G0948M201			0.05	2.4	2100	1.2 42.4	27 0.108	25		

The following sensor and control options are available for selection.

Available for all models. Without sensor Lock sensor

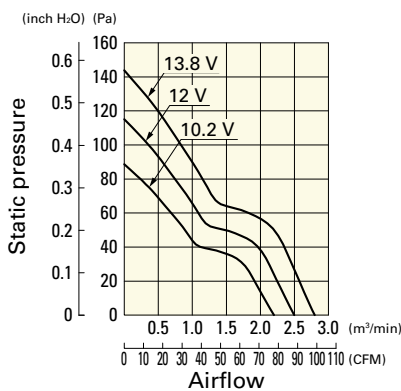
Differs according to the model. Refer to the table on pp. 600 to 601. PWM control

The ☞ mark indicates Short LeadTime Service applicable models. See p. 626 for details.

## Airflow - Static Pressure Characteristics

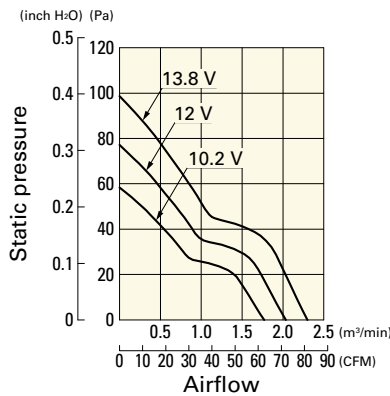
**9G0912A201** With pulse sensor

Operating voltage range



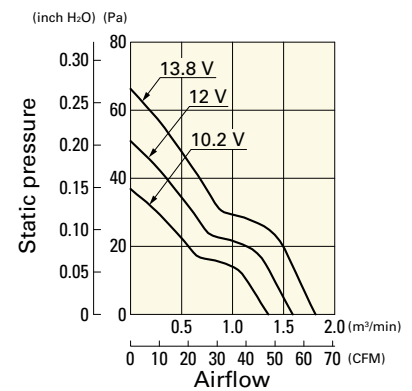
**9G0912S201** With pulse sensor

Operating voltage range



**9G0912H201** With pulse sensor

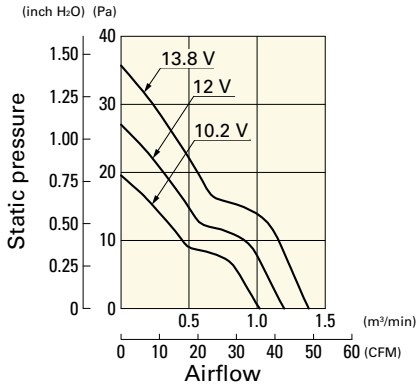
Operating voltage range



# Airflow - Static Pressure Characteristics

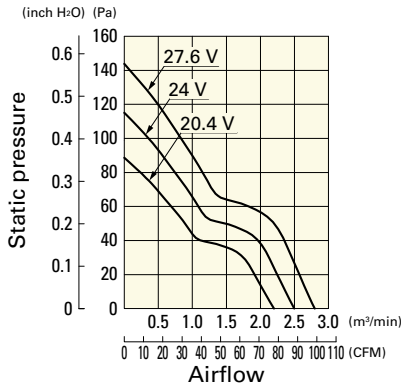
**9G0912M201** With pulse sensor

Operating voltage range



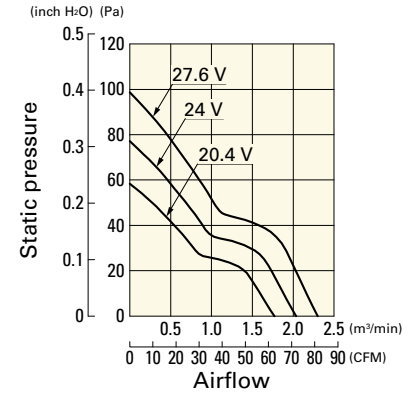
**9G0924A201** With pulse sensor

Operating voltage range



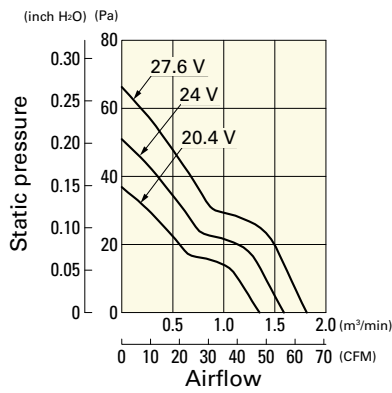
**9G0924S201** With pulse sensor

Operating voltage range



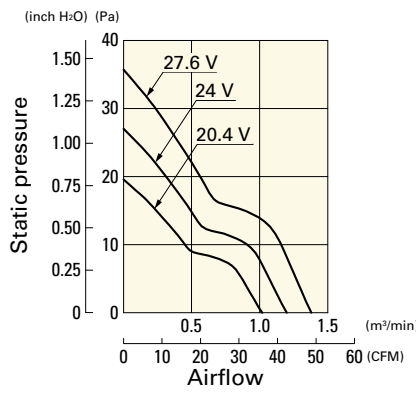
**9G0924H201** With pulse sensor

Operating voltage range



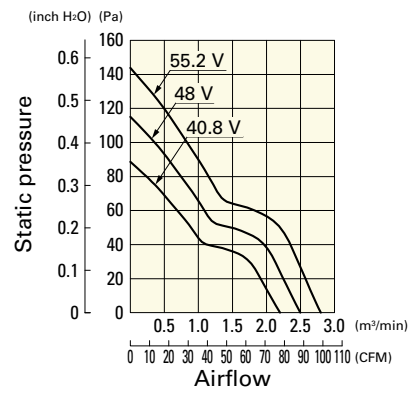
**9G0924M201** With pulse sensor

Operating voltage range



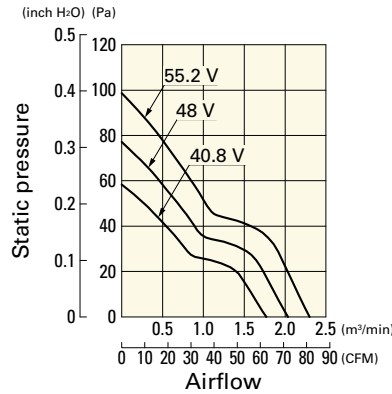
**9G0948A201** With pulse sensor

Operating voltage range



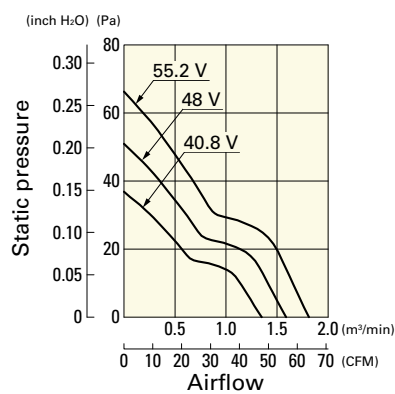
**9G0948S201** With pulse sensor

Operating voltage range



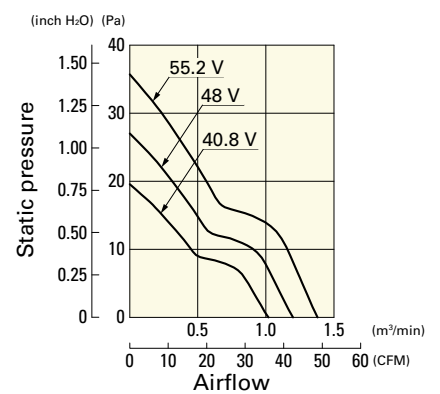
**9G0948H201** With pulse sensor

Operating voltage range

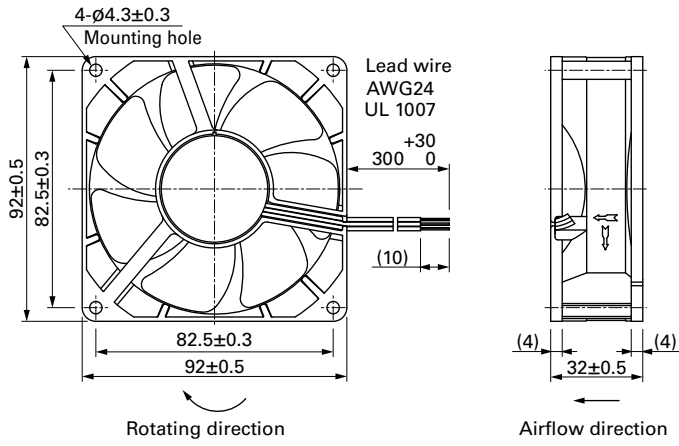


**9G0948M201** With pulse sensor

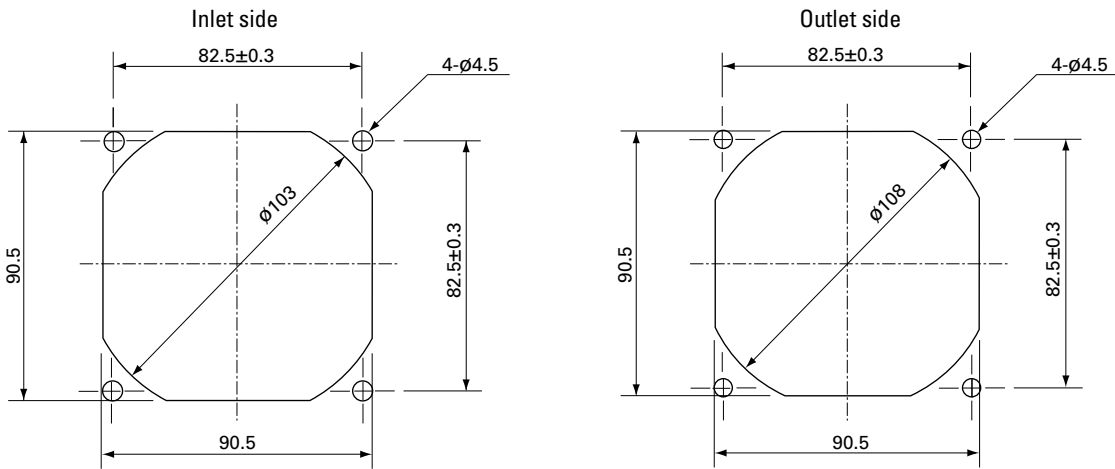
Operating voltage range



**Dimensions (unit: mm)** (With ribs)



**Reference Dimensions of Mounting Holes and Vent Opening (unit: mm)**



**Options**

**Finger guards** page: p. 558  
Model no.: 109-099E, 109-099H, 109-099C

**Resin finger guards** page: p. 565  
Model no.: 109-1001G

**Resin filter kits** page: p. 566  
Model no.: 109-1001F13 (13PPI), 109-1001F20 (20PPI),  
109-1001F30 (30PPI), 109-1001F40 (40PPI)



# 92x92x38 mm

San Ace 92 9HV type

## General Specifications

- Material ..... Frame: Plastic (Flammability: UL 94V-0), Impeller: Plastic (Flammability: UL 94V-1)
- Expected life ..... See the table below. (L10 life: 90% survival rate for continuous operation in free air at 60°C, rated voltage)  
Expected life at 40°C is for reference only.
- Motor protection function ..... Locked rotor burnout protection, Reverse polarity protection  
For details, please refer to p. 573.
- Dielectric strength ..... 50/60 Hz, 500 VAC, for 1 minute (between lead wire conductors and frame)
- Insulation resistance ..... 10 MΩ or more with a 500 VDC megger (between lead wire conductors and frame)
- Sound pressure level (SPL) ..... At 1 m away from the air inlet
- Storage temperature ..... -30 to +70°C (Non-condensing)
- Lead wire ..... ⊕Red ⊖Black  Sensor  Yellow  Control  Brown
- Mass ..... 250 g

## Specifications

The models listed below **have ribs and pulse sensors with PWM control function.** For models without ribs, append "1" to the end of model numbers.

Model no.	Rated voltage [V]	Operating voltage range [V]	PWM duty cycle [%]	Rated current [A]	Rated input [W]	Rated speed [min <sup>-1</sup> ]	Max. airflow [m <sup>3</sup> /min] [CFM]	Max. static pressure [Pa] [inchH <sub>2</sub> O]	SPL [dB (A)]	Operating temperature [°C]	Expected life [h]
▶▶ 9HV0912P1G001	12	8 to 12.6	100	5.2	62.4	14900	5.1 180	1100 4.42	72	-20 to +70	40000/60°C (70000/40°C)
			0	0.8	9.6	4500	1.54 54.4	160 0.64	44		
▶▶ 9HV0924P1G001	24	20.4 to 27.6	100	2.50	60.0	14900	5.1 180	1100 4.42	72		
			0	0.34	8.16	4500	1.54 54.4	160 0.64	44		
▶▶ 9HV0948P1G001	48	36 to 60	100	1.2	57.6	14900	5.1 180	1100 4.42	72		
			0	0.15	7.2	4500	1.54 54.4	160 0.64	44		

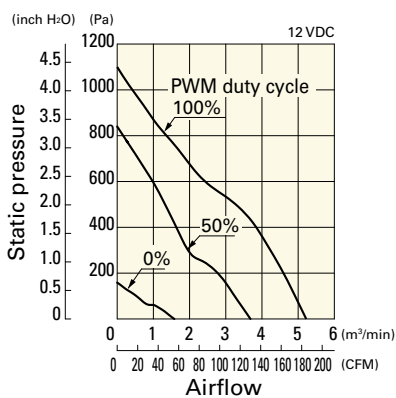
\* PWM input frequency is 25 kHz; models without specifications at 0% PWM duty cycle have zero fan speed at 0%.

The ▶▶ mark indicates Short LeadTime Service applicable models. See p. 626 for details.

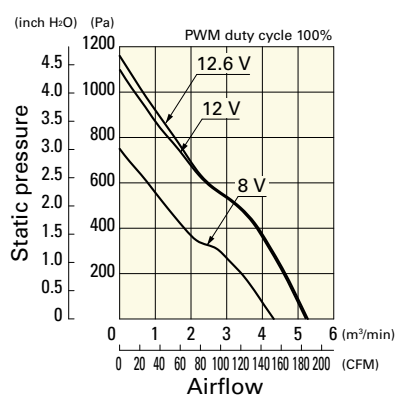
## Airflow - Static Pressure Characteristics / PWM Duty - Speed Characteristics Example

**9HV0912P1G001** With pulse sensor with PWM control function

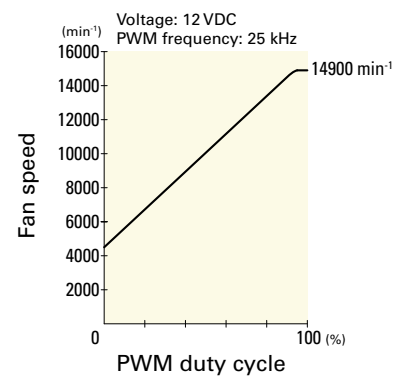
PWM duty cycle



Operating voltage range



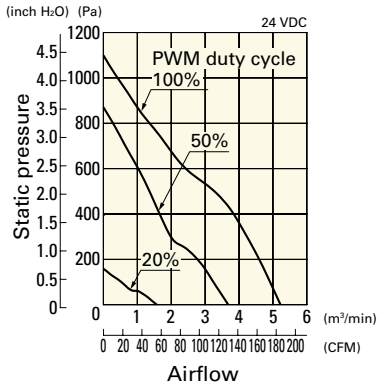
PWM duty - Speed characteristics example



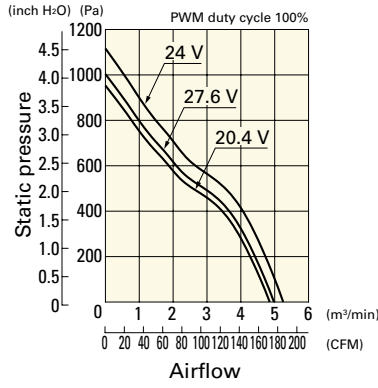
**Airflow - Static Pressure Characteristics / PWM Duty - Speed Characteristics Example**

**9HV0924P1G001** With pulse sensor with PWM control function

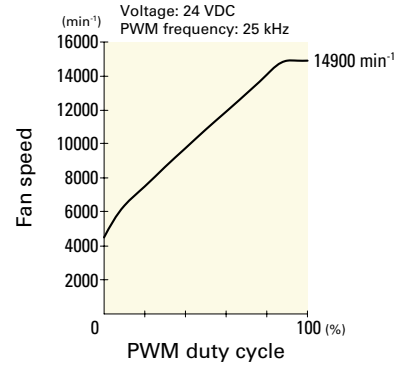
PWM duty cycle



Operating voltage range

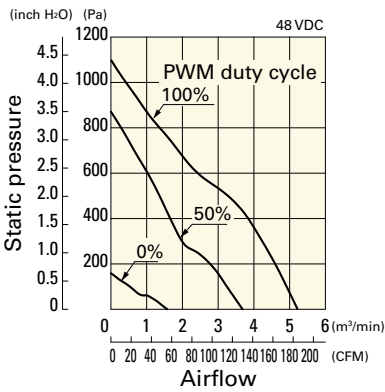


PWM duty - Speed characteristics example

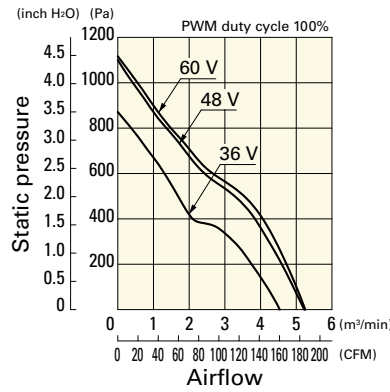


**9HV0948P1G001** With pulse sensor with PWM control function

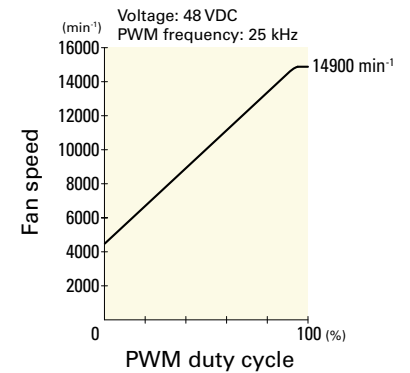
PWM duty cycle



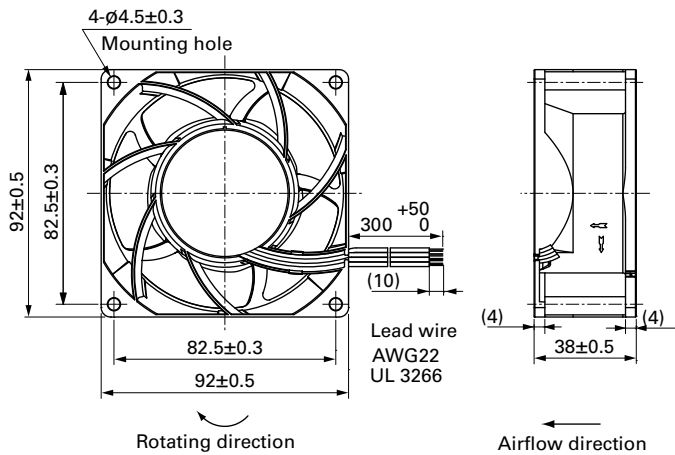
Operating voltage range



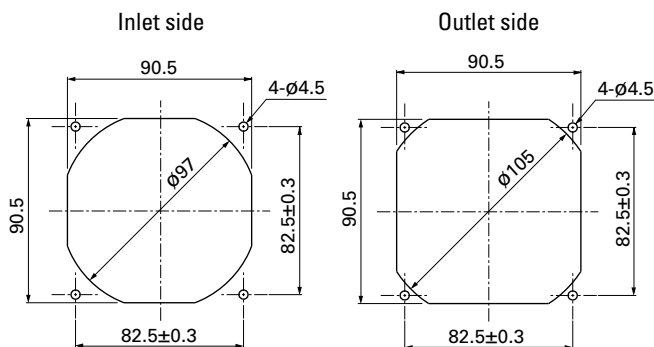
PWM duty - Speed characteristics example



**Dimensions (unit: mm)** (With ribs)



**Reference Dimensions of Mounting Holes and Vent Opening (unit: mm)**



## Options

---

### Finger guards

page: p. 558

Model no.: 109-099E, 109-099H, 109-099C

### Resin finger guards

page: p. 565

Model no.: 109-1001G

### Resin filter kits

page: p. 566

Model no.: 109-1001F13 (13PPI), 109-1001F20 (20PPI),  
109-1001F30 (30PPI), 109-1001F40 (40PPI)

DC Fan



# 92x92x38 mm

**San Ace 92 9GA** type Low Power Consumption Fan

## General Specifications

- Material ..... Frame: Plastic (Flammability: UL 94V-0), Impeller: Plastic (Flammability: UL 94V-0)
- Expected life ..... See the table below. (L10 life: 90% survival rate for continuous operation in free air at 60°C, rated voltage)  
Expected life at 40°C is for reference only.
- Motor protection function ..... Locked rotor burnout protection, Reverse polarity protection  
For details, please refer to p. 573.
- Dielectric strength ..... 50/60 Hz, 500 VAC, for 1 minute (between lead wire conductors and frame)
- Insulation resistance ..... 10 MΩ or more with a 500 VDC megger (between lead wire conductors and frame)
- Sound pressure level (SPL) ..... At 1 m away from the air inlet
- Storage temperature ..... -30 to +70°C (Non-condensing)
- Lead wire ..... ⊕Red ⊖Black  Sensor  Yellow  Control  Brown
- Mass ..... 240 g

## Specifications

The models listed below **have ribs and pulse sensors with PWM control function.** For models without ribs, append "1" to the end of model numbers.

Model no.	Rated voltage [V]	Operating voltage range [V]	PWM duty cycle* [%]	Rated current [A]	Rated input [W]	Rated speed [min <sup>-1</sup> ]	Max. airflow [m <sup>3</sup> /min] [CFM]	Max. static pressure [Pa] [inchH <sub>2</sub> O]	SPL [dB (A)]	Operating temperature [°C]	Expected life [h]
9GA0912P1H03	12	10.2 to 13.8	100	2.1	25.2	9700	4.0 141	500 2.01	63	-20 to +70	40000/60°C (70000/40°C)
			0	0.16	1.92	2500	0.97 34.3	33 0.13	29		
9GA0924P1H01	24	20.4 to 27.6	100	1.1	26.4	9700	4.0 141	500 2.01	63	-10 to +70	
			0	0.07	1.68	2500	0.97 34.3	33 0.13	29		
9GA0948P1H03	48	40.8 to 55.2	100	0.55	26.4	9700	4.0 141	500 2.01	63	-20 to +70	

\* PWM input frequency is 25 kHz; models without specifications at 0% PWM duty cycle have zero fan speed at 0%.

The following sensor and control options are available for selection.

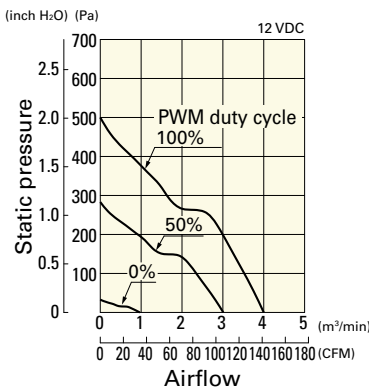
Differs according to the model. Refer to the table on pp. 604 to 605.  Without sensor  Pulse sensor  Lock sensor

The mark indicates Short LeadTime Service applicable models. See p. 626 for details.

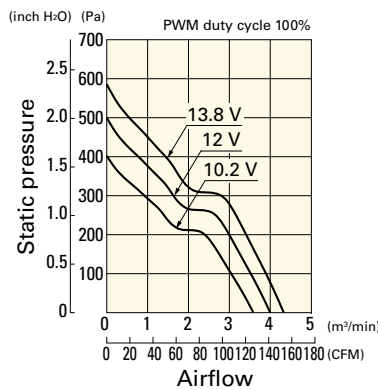
## Airflow - Static Pressure Characteristics / PWM Duty - Speed Characteristics Example

**9GA0912P1H03** With pulse sensor with PWM control function

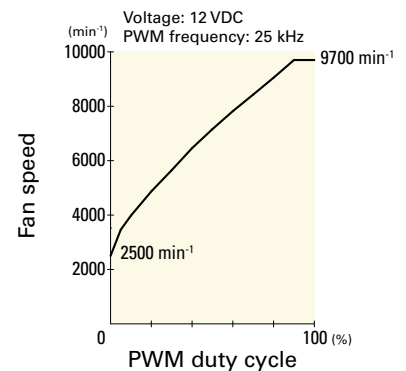
PWM duty cycle



Operating voltage range



PWM duty - Speed characteristics example

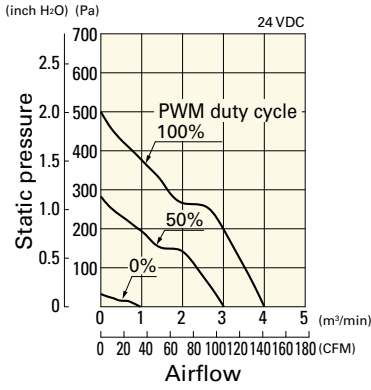




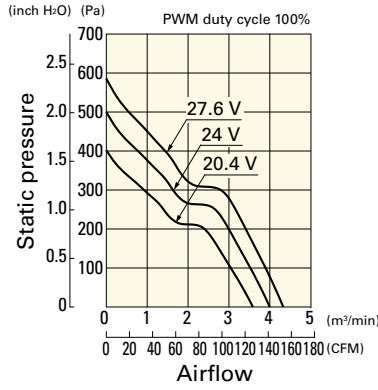
**Airflow - Static Pressure Characteristics / PWM Duty - Speed Characteristics Example**

**9GA0924P1H01** With pulse sensor with PWM control function

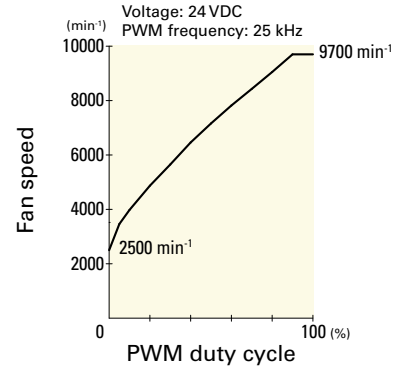
PWM duty cycle



Operating voltage range

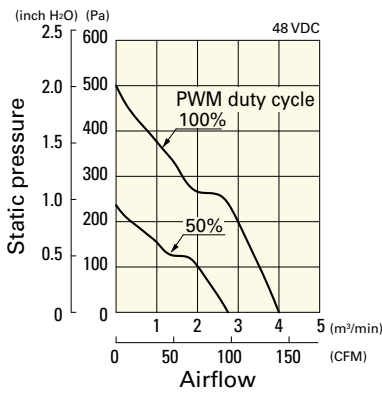


PWM duty - Speed characteristics example

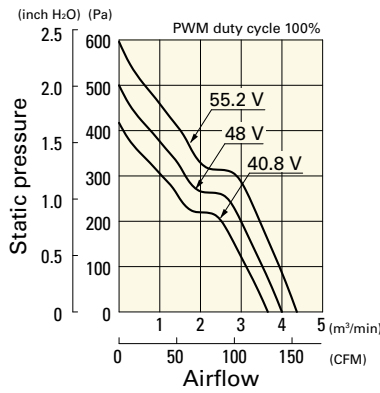


**9GA0948P1H03** With pulse sensor with PWM control function

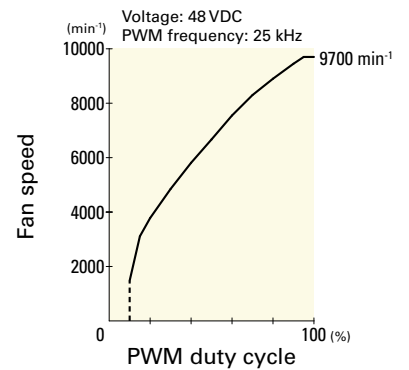
PWM duty cycle



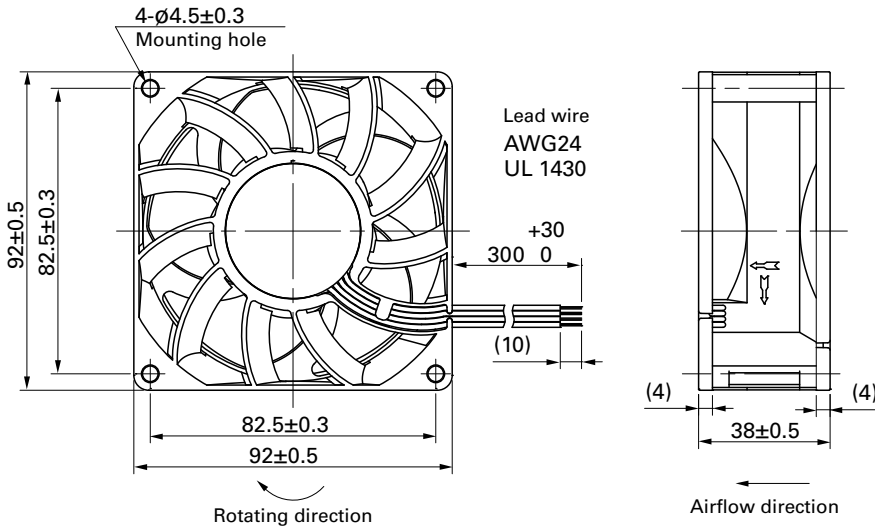
Operating voltage range



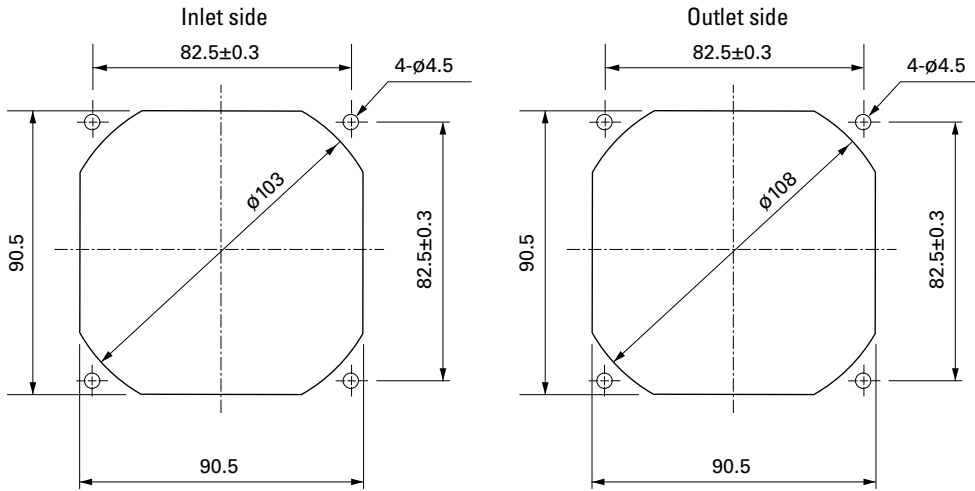
PWM duty - Speed characteristics example



**Dimensions (unit: mm)** (With ribs)



Reference Dimensions of Mounting Holes and Vent Opening (unit: mm)



Options

Finger guards

page: p. 558

Model no.: 109-099E, 109-099H, 109-099C

Resin finger guards

page: p. 565

Model no.: 109-1001G

Resin filter kits

page: p. 566

Model no.: 109-1001F13 (13PPI), 109-1001F20 (20PPI),  
109-1001F30 (30PPI), 109-1001F40 (40PPI)



# 92x92x38 mm

San Ace 92 9GV type

## General Specifications

- Material ..... Frame: Plastic (Flammability: UL 94V-0), Impeller: Plastic (Flammability: UL 94V-1)
- Expected life ..... See the table below. (L10 life: 90% survival rate for continuous operation in free air at 60°C, rated voltage)  
Expected life at 40°C is for reference only.
- Motor protection function ..... Locked rotor burnout protection, Reverse polarity protection  
For details, please refer to p. 573.
- Dielectric strength ..... 50/60 Hz, 500 VAC, for 1 minute (between lead wire conductors and frame)
- Insulation resistance ..... 10 MΩ or more with a 500 VDC megger (between lead wire conductors and frame)
- Sound pressure level (SPL) ..... At 1 m away from the air inlet
- Storage temperature ..... -30 to +70°C (Non-condensing)
- Lead wire ..... ⊕Red ⊖Black  Sensor  Yellow  Control  Brown
- Mass ..... 250 g

## Specifications

The models listed below **have ribs and pulse sensors with PWM control function.** For models without ribs, append "1" to the end of model numbers.

Model no.	Rated voltage [V]	Operating voltage range [V]	PWM duty cycle* [%]	Rated current [A]	Rated input [W]	Rated speed [min <sup>-1</sup> ]	Max. airflow [m <sup>3</sup> /min] [CFM]	Max. static pressure [Pa] [inchH <sub>2</sub> O]	SPL [dB (A)]	Operating temperature [°C]	Expected life [h]		
9GV0912P1G03	12	10.8 to 13.2	100	4.1	49.2	9000	5.35 189.0	430.0 1.73	68	-20 to +70	40000/60°C (70000/40°C)		
			0	0.33	4.0	2900	1.72 60.8	44.6 0.18	37				
9GV0912P1H03		10.2 to 13.8	100	3.5	42.0	8500	5.05 178.0	385.0 1.55	64				
			0	0.29	3.5	2700	1.6 56.5	38.8 0.16	34				
9GV0912P1F03		48	40.8 to 55.2	100	1.9	22.8	7000	4.15 146.6	261 1.05			59	-10 to +70
				0	0.16	1.92	2200	1.3 45.9	25.7 0.1			31	
9GV0948P1H03	100		0.82	39.4	8500	5.05 178.0	385.0 1.55	64	-20 to +70				
			0	0.14	6.7	4000	2.37 83.7	85.2 0.34		45			
9GV0948P1F03	100		0.48	23.04	7000	4.15 146.6	261 1.05	59	-10 to +70				
			0	0.12	5.76	3500	2.07 73.1	65.2 0.26		42			

\* PWM input frequency is 25 kHz; models without specifications at 0% PWM duty cycle have zero fan speed at 0%.

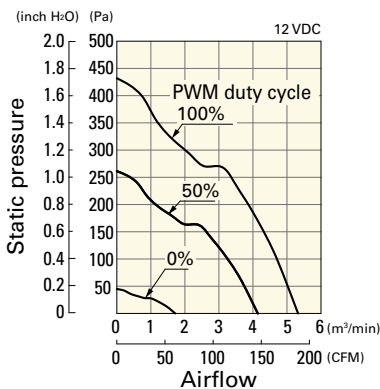
The following sensor and control options are available for selection.

Differs according to the model. Refer to the table on p. 606.  Without sensor  Pulse sensor  Lock sensor

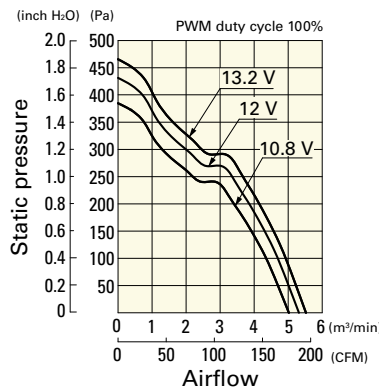
## Airflow - Static Pressure Characteristics / PWM Duty - Speed Characteristics Example

**9GV0912P1G03** With pulse sensor with PWM control function

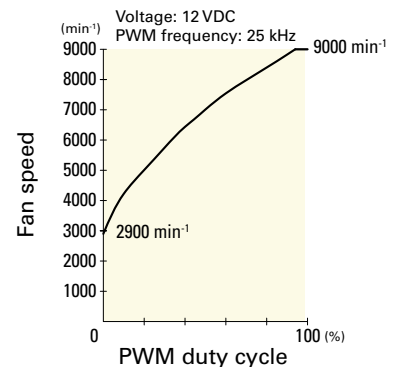
PWM duty cycle



Operating voltage range



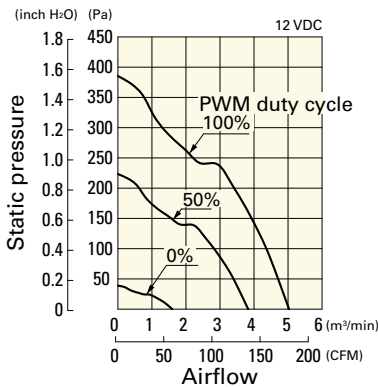
PWM duty - Speed characteristics example



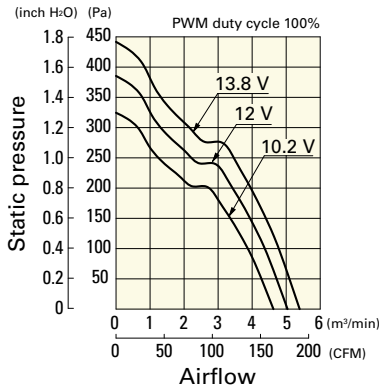
**Airflow - Static Pressure Characteristics / PWM Duty - Speed Characteristics Example**

**9GV0912P1H03** With pulse sensor with PWM control function

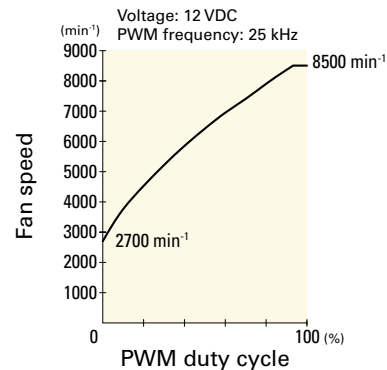
PWM duty cycle



Operating voltage range

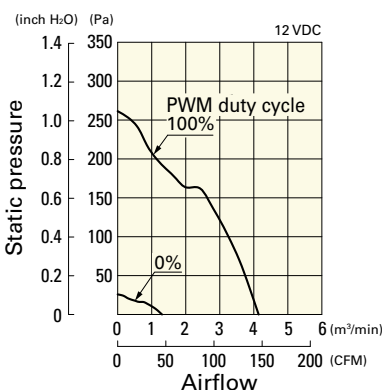


PWM duty - Speed characteristics example

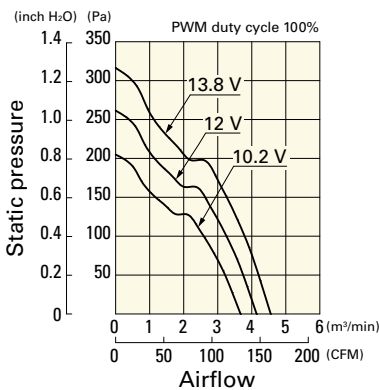


**9GV0912P1F03** With pulse sensor with PWM control function

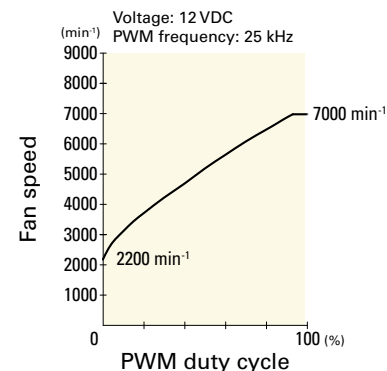
PWM duty cycle



Operating voltage range

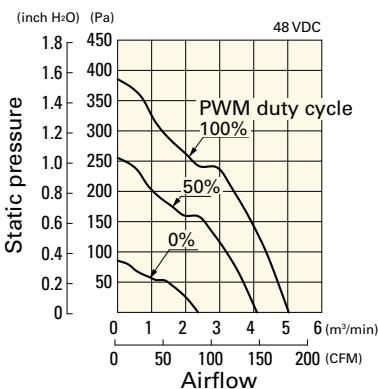


PWM duty - Speed characteristics example

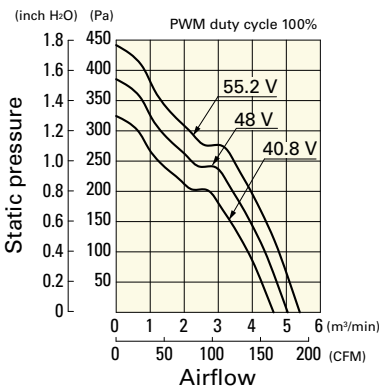


**9GV0948P1H03** With pulse sensor with PWM control function

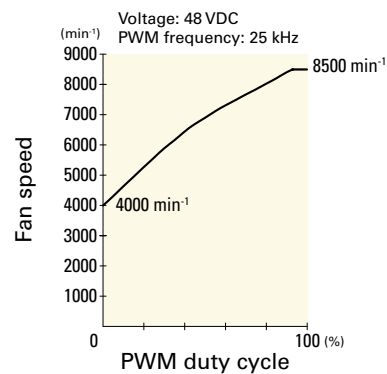
PWM duty cycle



Operating voltage range

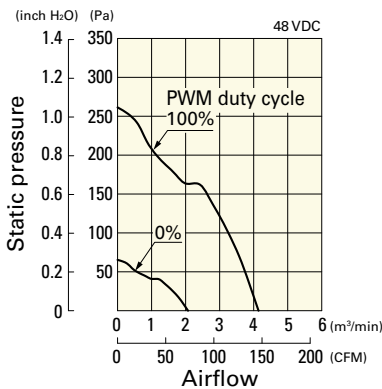


PWM duty - Speed characteristics example

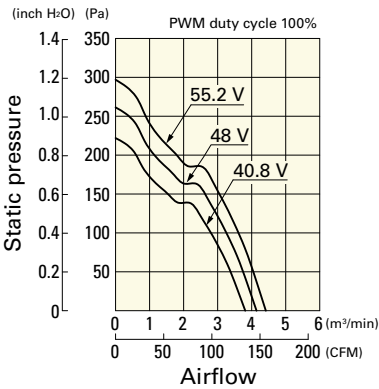


**9GV0948P1F03** With pulse sensor with PWM control function

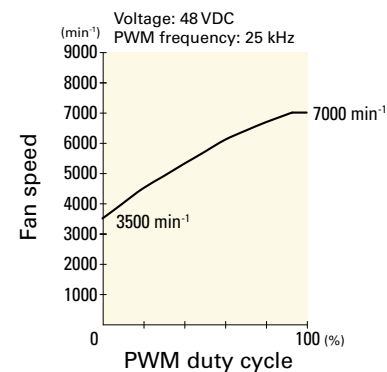
PWM duty cycle



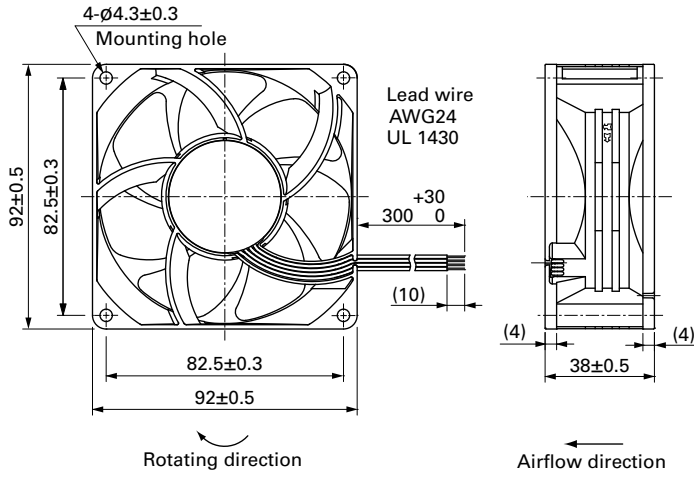
Operating voltage range



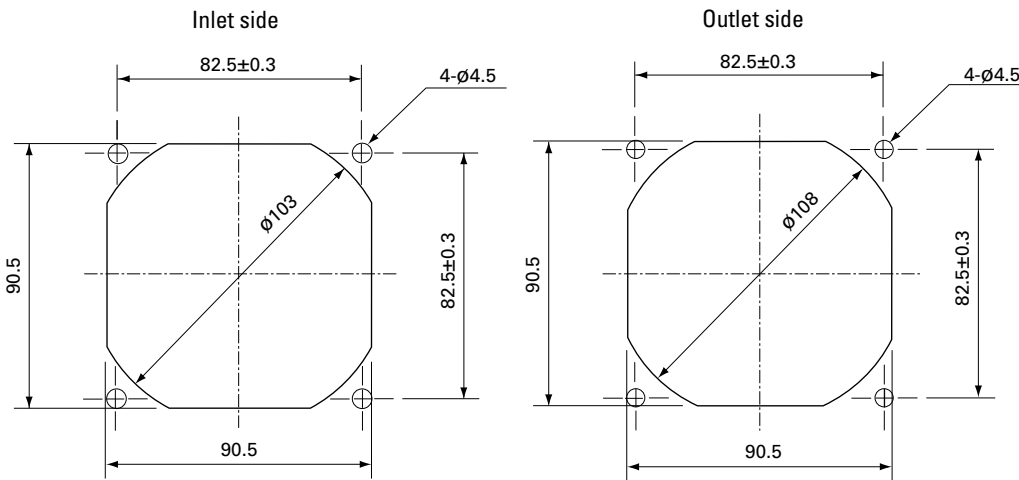
PWM duty - Speed characteristics example



**Dimensions (unit: mm)** (With ribs)



**Reference Dimensions of Mounting Holes and Vent Opening (unit: mm)**



**Options**

**Finger guards**

page: p. 558

Model no.: 109-099E, 109-099H, 109-099C

**Resin finger guards**

page: p. 565

Model no.: 109-1001G

**Resin filter kits**

page: p. 566

Model no.: 109-1001F13 (13PPI), 109-1001F20 (20PPI),  
109-1001F30 (30PPI), 109-1001F40 (40PPI)

DC Fan



# 92x92x38 mm

San Ace 92 9G type

## General Specifications

- Material ..... Frame: Plastic (Flammability: UL 94V-0), Impeller: Plastic (Flammability: UL 94V-0)
- Expected life ..... See the table below. (L10 life: 90% survival rate for continuous operation in free air at 60°C, rated voltage)  
Expected life at 40°C is for reference only.
- Motor protection function ..... Locked rotor burnout protection, Reverse polarity protection  
For details, please refer to p. 573.
- Dielectric strength ..... 50/60 Hz, 500 VAC, for 1 minute (between lead wire conductors and frame)
- Insulation resistance ..... 10 MΩ or more with a 500 VDC megger (between lead wire conductors and frame)
- Sound pressure level (SPL) ..... At 1 m away from the air inlet
- Storage temperature ..... -30 to +70°C (Non-condensing)
- Lead wire ..... ⊕Red ⊖Black Sensor Yellow
- Mass ..... 180 g

## Specifications

The models listed below **have ribs and pulse sensors**. For models without ribs, append "1" to the end of model numbers.

Model no.	Rated voltage [V]	Operating voltage range [V]	Rated current [A]	Rated input [W]	Rated speed [min <sup>-1</sup> ]	Max. airflow [m <sup>3</sup> /min] [CFM]	Max. static pressure [Pa] [inchH <sub>2</sub> O]	SPL [dB (A)]	Operating temperature [°C]	Expected life [h]	
9G0912G101	12	7.0 to 13.8	1.1	13.2	5000	3.1 110	150 0.602	50	-20 to +60	40000/60°C (70000/40°C)	
9G0912H101			0.58	6.96	4000	2.54 90	100 0.402	43			
9G0924G101	24	20.4 to 27.6	0.55	13.2	5000	3.1 110	150 0.602	50			
9G0924H101			0.3	7.2	4000	2.54 90	100 0.402	43			
9G0948J101	48	40.8 to 55.2	0.32	15.36	5500	3.41 120.49	178 0.715	55			-20 to +70
9G0948G101			0.27	12.96	5000	3.1 110	150 0.602	50			-20 to +60
9G0948H101			0.16	7.68	4000	2.54 90	100 0.402	43	-20 to +60		

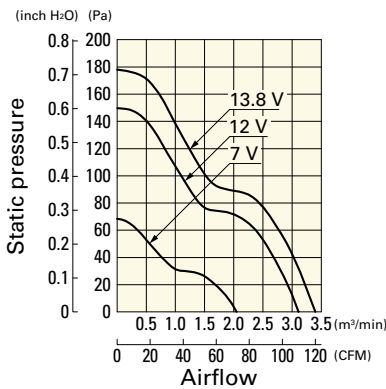
The following sensor and control options are available for selection.

Differs according to the model. Refer to the table on pp. 600 to 601. Without sensor Lock sensor PWM control

## Airflow - Static Pressure Characteristics

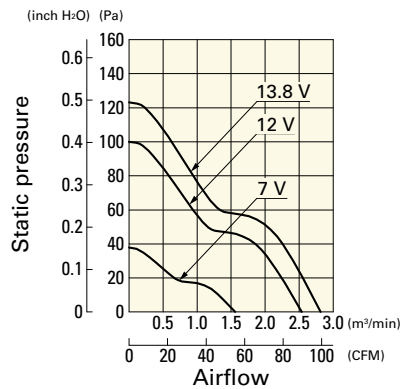
**9G0912G101** With pulse sensor

Operating voltage range



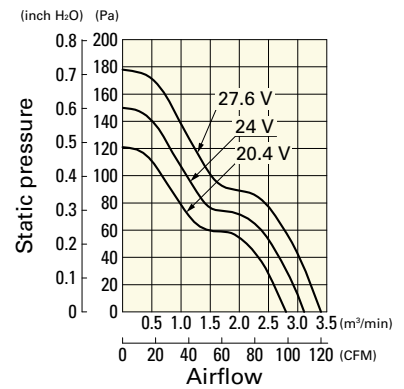
**9G0912H101** With pulse sensor

Operating voltage range



**9G0924G101** With pulse sensor

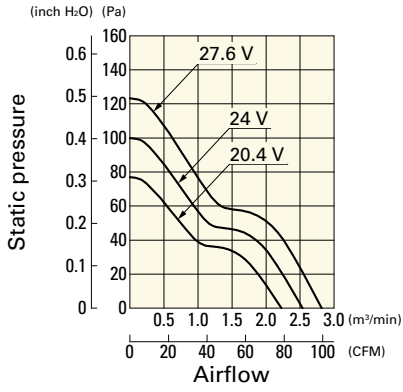
Operating voltage range



**Airflow - Static Pressure Characteristics**

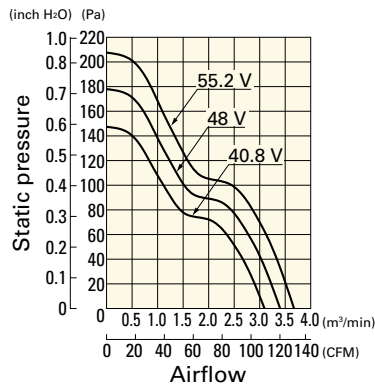
**9G0924H101** With pulse sensor

Operating voltage range



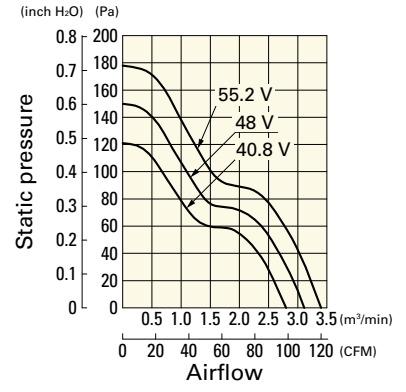
**9G0948J101** With pulse sensor

Operating voltage range



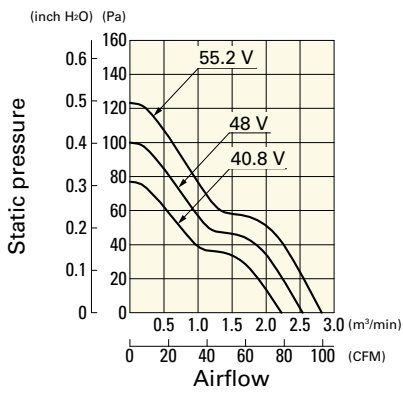
**9G0948G101** With pulse sensor

Operating voltage range

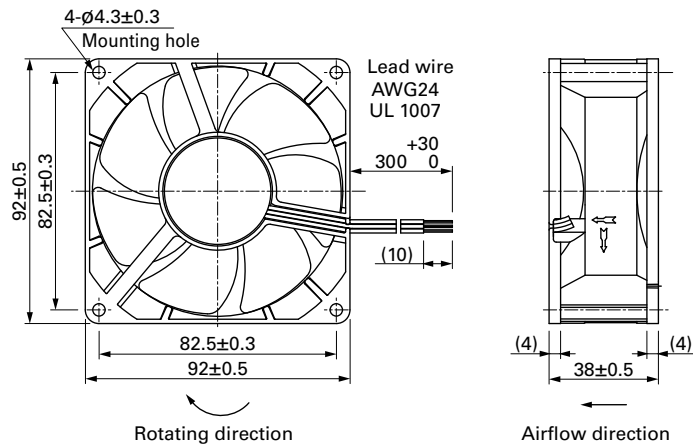


**9G0948H101** With pulse sensor

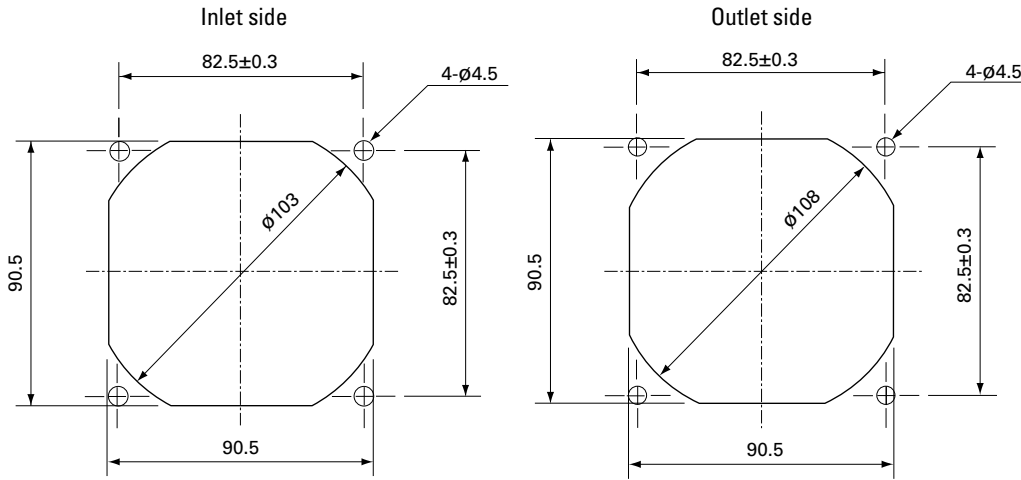
Operating voltage range



**Dimensions (unit: mm)** (With ribs)



## Reference Dimensions of Mounting Holes and Vent Opening (unit: mm)



## Options

### Finger guards

page: p. 558

Model no.: 109-099E, 109-099H, 109-099C

### Resin finger guards

page: p. 565

Model no.: 109-1001G

### Resin filter kits




page: p. 566

Model no.: 109-1001F13 (13PPI), 109-1001F20 (20PPI),  
109-1001F30 (30PPI), 109-1001F40 (40PPI)





# 120×120×25 mm

**San Ace 120 9GA** type Low Power Consumption Fan   

## General Specifications

- Material ..... Frame: Plastic (Flammability: UL 94V-0), Impeller: Plastic (Flammability: UL 94V-0)
- Expected life ..... See the table below. (L10 life: 90% survival rate for continuous operation in free air at 60°C, rated voltage)  
Expected life at 40°C is for reference only.
- Motor protection function ..... Locked rotor burnout protection, Reverse polarity protection  
For details, please refer to p. 573.
- Dielectric strength ..... 50/60 Hz, 500 VAC, for 1 minute (between lead wire conductors and frame)
- Insulation resistance ..... 10 MΩ or more with a 500 VDC megger (between lead wire conductors and frame)
- Sound pressure level (SPL) ..... At 1 m away from the air inlet
- Storage temperature ..... -30 to +70°C (Non-condensing)
- Lead wire ..... ⊕Red ⊖Black (Sensor) Yellow (Control) Brown  
(For models without PWM control function, there is no speed control wiring.)
- Mass ..... 280 g

## Specifications

The models listed below **have ribs and pulse sensors with PWM control function**. For models without ribs, append "1" to the end of model numbers.

Model no.	Rated voltage [V]	Operating voltage range [V]	PWM duty cycle [%]	Rated current [A]	Rated input [W]	Rated speed [min <sup>-1</sup> ]	Max. airflow [m <sup>3</sup> /min] [CFM]	Max. static pressure [Pa] [inchH <sub>2</sub> O]	SPL [dB (A)]	Operating temperature [°C]	Expected life [h]	
» 9GA1212P4G001	12	10.2 to 13.8	100	0.93	11.16	6400	3.8 134	365 1.47	57	-20 to +70	40000/60°C (70000/40°C)	
» 9GA1212P4S001			25	0.16	1.92	2550	1.5 53	60 0.24	34			
» 9GA1224P4G001	24	20.4 to 27.6	100	0.47	11.28	6400	3.8 134	365 1.47	57			
» 9GA1224P4S001			25	0.1	2.4	2550	1.5 53	60 0.24	34			
» 9GA1248P4G001	48	40.8 to 53	100	0.24	11.52	6400	3.8 134	365 1.47	57			
» 9GA1248P4S001			25	0.08	3.84	2550	1.5 53	60 0.24	34			
» 9GA1212G4001	12	7 to 13.8	0.93	11.16	6400	3.8 134	365 1.47	57	-20 to +70			40000/60°C (70000/40°C)
» 9GA1212S4001			0.61	7.32	5400	3.2 113	260 1.04	54				
» 9GA1224G4001	24	14 to 27.6	0.47	11.28	6400	3.8 134	365 1.47	57				
» 9GA1224S4001			0.31	7.44	5400	3.2 113	260 1.04	54				
» 9GA1248G4001	48	36 to 53	0.24	11.52	6400	3.8 134	365 1.47	57				
» 9GA1248S4001			0.16	7.68	5400	3.2 113	260 1.04	54				

\* PWM input frequency is 25 kHz; models without specifications at 0% PWM duty cycle have zero fan speed at 0%.

The following sensor and control options are available for selection.

Available for all models. **Pulse sensor**

Differs according to the model. Refer to the table on p. 605. **Without sensor** **Lock sensor**

The models listed below **have ribs and pulse sensors**. For models without ribs, append "1" to the end of model numbers.

Model no.	Rated voltage [V]	Operating voltage range [V]	Rated current [A]	Rated input [W]	Rated speed [min <sup>-1</sup> ]	Max. airflow [m <sup>3</sup> /min] [CFM]	Max. static pressure [Pa] [inchH <sub>2</sub> O]	SPL [dB (A)]	Operating temperature [°C]	Expected life [h]
» 9GA1212G4001	12	7 to 13.8	0.93	11.16	6400	3.8 134	365 1.47	57	-20 to +70	40000/60°C (70000/40°C)
» 9GA1212S4001			0.61	7.32	5400	3.2 113	260 1.04	54		
» 9GA1224G4001	24	14 to 27.6	0.47	11.28	6400	3.8 134	365 1.47	57		
» 9GA1224S4001			0.31	7.44	5400	3.2 113	260 1.04	54		
» 9GA1248G4001	48	36 to 53	0.24	11.52	6400	3.8 134	365 1.47	57		
» 9GA1248S4001			0.16	7.68	5400	3.2 113	260 1.04	54		

The following sensor and control options are available for selection.

Available for all models. **PWM control**

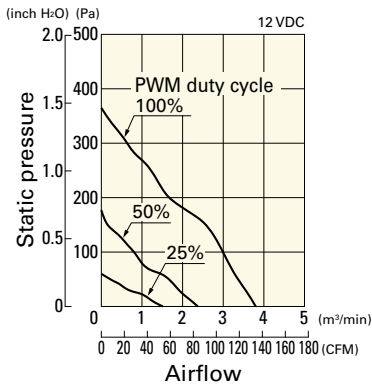
Differs according to the model. Refer to the table on p. 605. **Without sensor** **Lock sensor**

The » mark indicates Short LeadTime Service applicable models. See p. 626 for details.

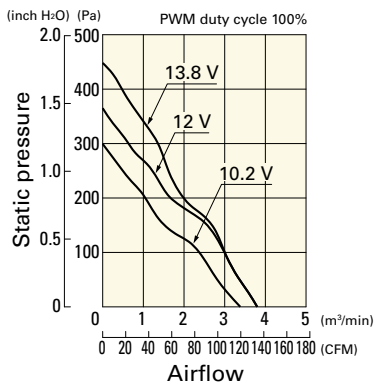
**Airflow - Static Pressure Characteristics / PWM Duty - Speed Characteristics Example**

**9GA1212P4G001** With pulse sensor with PWM control function

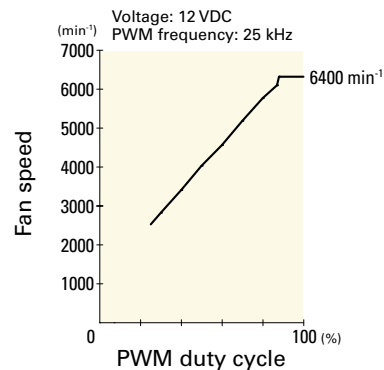
PWM duty cycle



Operating voltage range

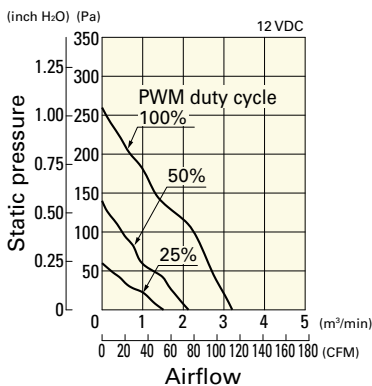


PWM duty - Speed characteristics example

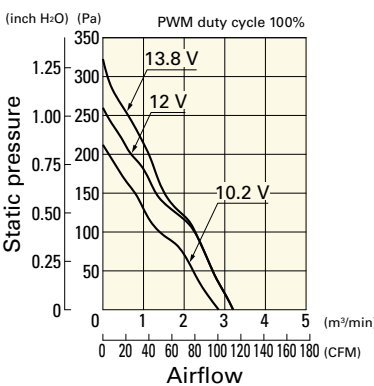


**9GA1212P4S001** With pulse sensor with PWM control function

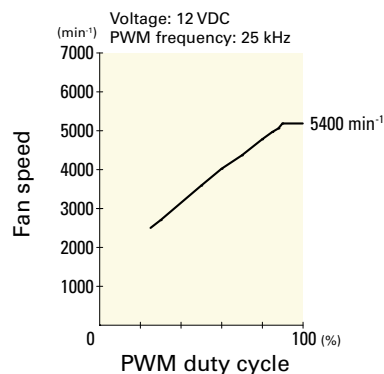
PWM duty cycle



Operating voltage range

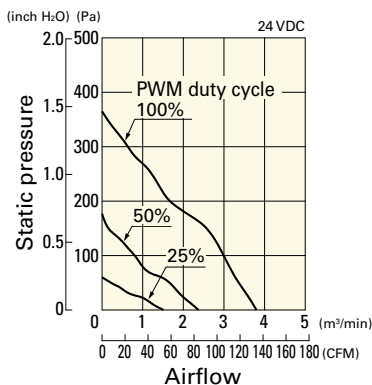


PWM duty - Speed characteristics example

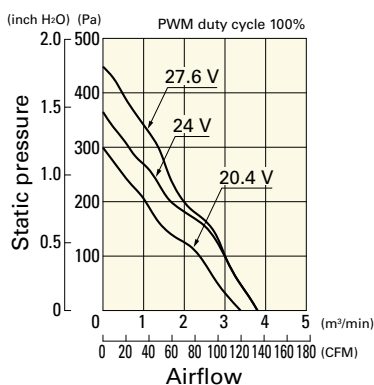


**9GA1224P4G001** With pulse sensor with PWM control function

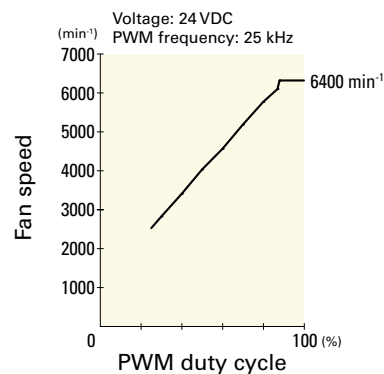
PWM duty cycle



Operating voltage range

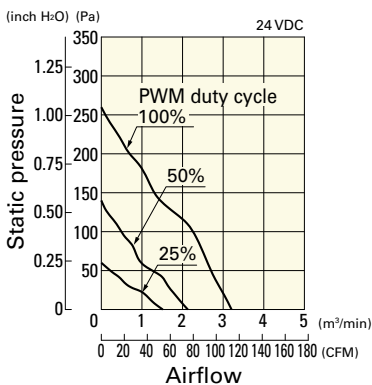


PWM duty - Speed characteristics example

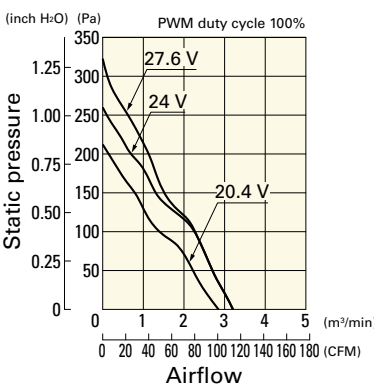


**9GA1224P4S001** With pulse sensor with PWM control function

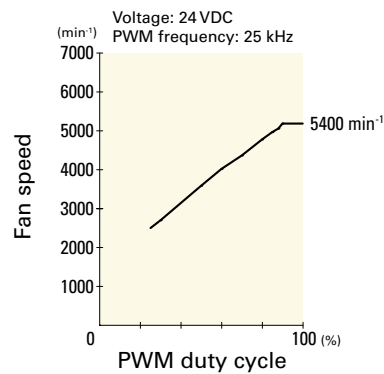
PWM duty cycle



Operating voltage range



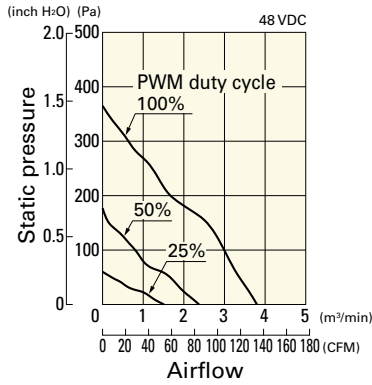
PWM duty - Speed characteristics example



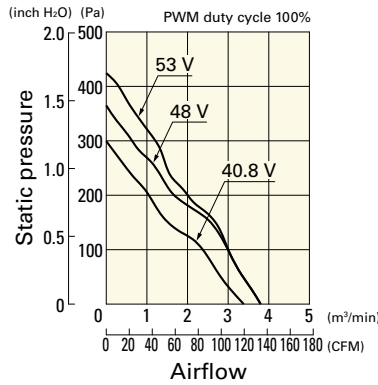
**Airflow - Static Pressure Characteristics / PWM Duty - Speed Characteristics Example**

**9GA1248P4G001** With pulse sensor with PWM control function

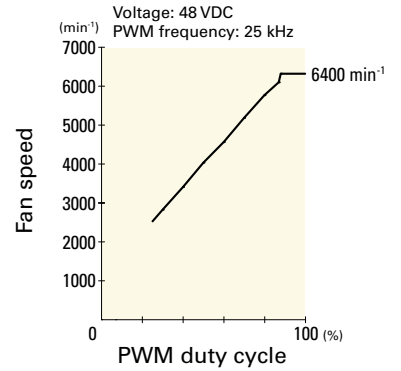
PWM duty cycle



Operating voltage range

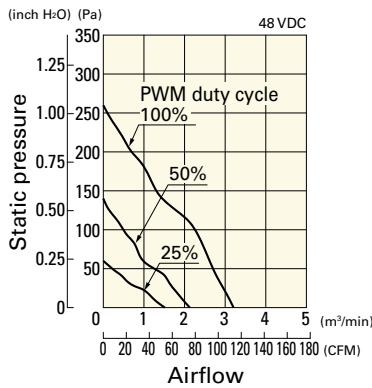


PWM duty - Speed characteristics example

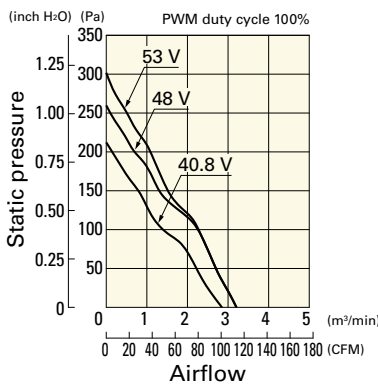


**9GA1248P4S001** With pulse sensor with PWM control function

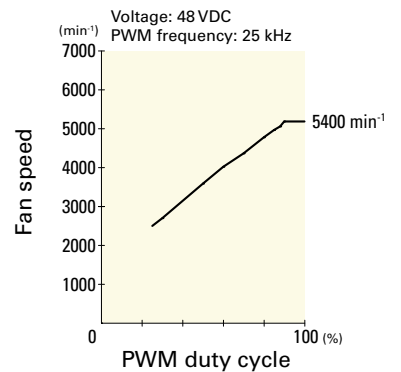
PWM duty cycle



Operating voltage range



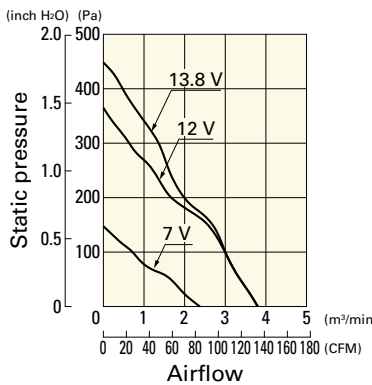
PWM duty - Speed characteristics example



**Airflow - Static Pressure Characteristics**

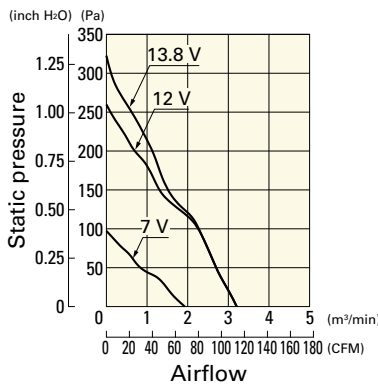
**9GA1212G4001** With pulse sensor

Operating voltage range



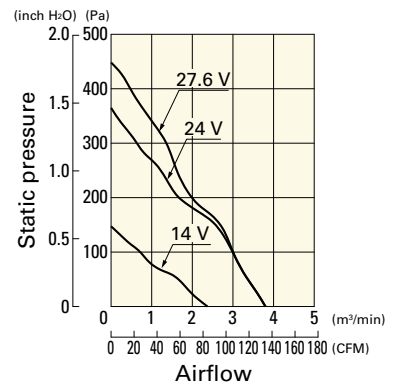
**9GA1212S4001** With pulse sensor

Operating voltage range



**9GA1224G4001** With pulse sensor

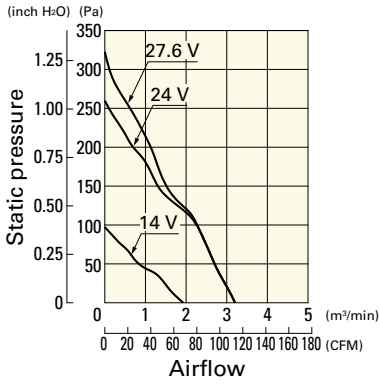
Operating voltage range



**Airflow - Static Pressure Characteristics**

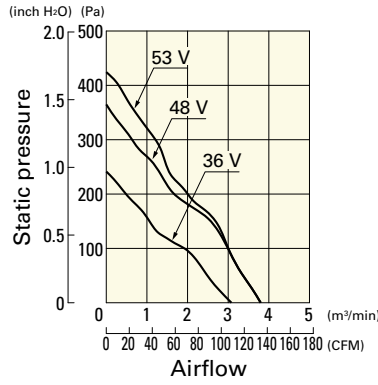
**9GA1224S4001** With pulse sensor

Operating voltage range



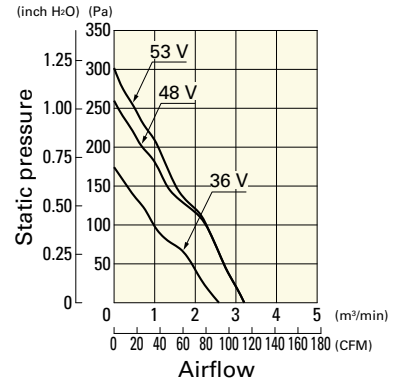
**9GA1248G4001** With pulse sensor

Operating voltage range

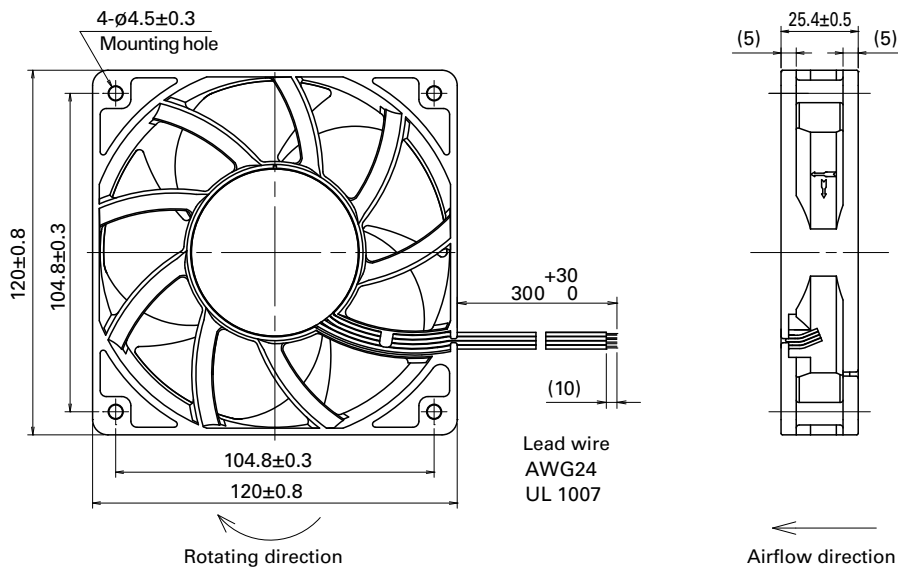


**9GA1248S4001** With pulse sensor

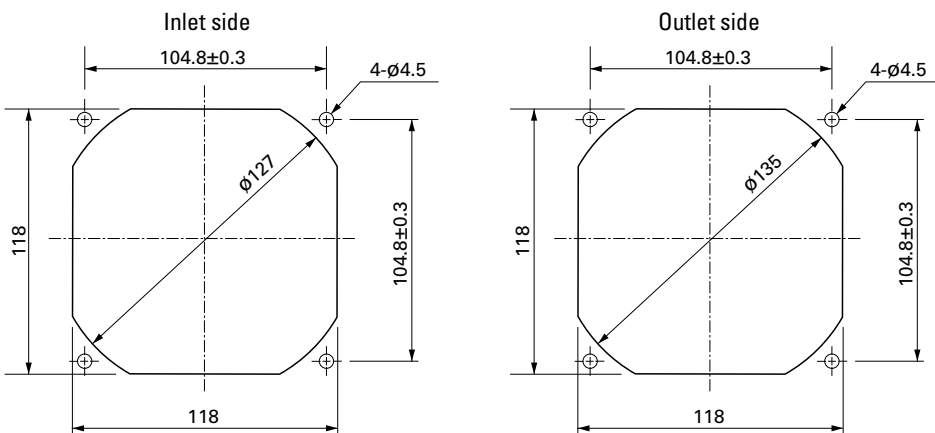
Operating voltage range



**Dimensions (unit: mm)** (With pulse sensor with PWM control function)



**Reference Dimensions of Mounting Holes and Vent Opening (unit: mm)**



**Options**

Finger guards

page: p. 559

Model no.: 109-019E, 109-019K, 109-019C, 109-019H

Resin finger guards

page: p. 565

Model no.: 109-1000G

Resin filter kits

page: p. 566

Model no.: 109-1000F13 (13PPI), 109-1000F20 (20PPI), 109-1000F30 (30PPI), 109-1000F40 (40PPI)



# 120x120x25 mm

San Ace 120 9GV type

## General Specifications

- Material ..... Frame: Plastic (Flammability: UL 94V-0), Impeller: Plastic (Flammability: UL 94V-1)
- Expected life ..... See the table below. (L10 life: 90% survival rate for continuous operation in free air at 60°C, rated voltage)  
Expected life at 40°C is for reference only.
- Motor protection function ..... Locked rotor burnout protection, Reverse polarity protection  
For details, please refer to p. 573.
- Dielectric strength ..... 50/60 Hz, 500 VAC, for 1 minute (between lead wire conductors and frame)
- Insulation resistance ..... 10 MΩ or more with a 500 VDC megger (between lead wire conductors and frame)
- Sound pressure level (SPL) ..... At 1 m away from the air inlet
- Storage temperature ..... -30 to +70°C (Non-condensing)
- Lead wire ..... ⊕Red ⊖Black  Sensor  Yellow  Control  Brown
- Mass ..... 260 g

## Specifications

The models listed below **have ribs and pulse sensors with PWM control function.** For models without ribs, append "1" to the end of model numbers.

Model no.	Rated voltage [V]	Operating voltage range [V]	PWM duty cycle* [%]	Rated current [A]	Rated input [W]	Rated speed [min <sup>-1</sup> ]	Max. airflow [m <sup>3</sup> /min] [CFM]	Max. static pressure [Pa] [inchH <sub>2</sub> O]	SPL [dB (A)]	Operating temperature [°C]	Expected life [h]
9GV1212P4G01	12	10.2 to 13.8	100	1.68	20.16	5100	4.83 171	224 0.9	58	-20 to +70	40000/60°C (70000/40°C)
			0	0.18	2.16	1650	1.56 55.1	23.5 0.09	30		
9GV1224P4G01	24	20.4 to 27.6	100	0.84	20.16	5100	4.83 171	224 0.9	58		
			0	0.13	3.12	1650	1.56 55.1	23.5 0.09	30		
9GV1248P4J01	48	40.8 to 55.2	100	0.5	24.0	5400	5.11 180	251 1.01	59		
			0	0.15	7.2	3000	2.84 100	77.5 0.31	47		
9GV1248P4G01	48	40.8 to 60.0	100	0.42	20.16	5100	4.83 171	224 0.9	58		
			0	0.07	3.36	1650	1.56 55.1	23.5 0.09	30		
9GV1248P4H01	48	40.8 to 60.0	100	0.33	15.84	4600	4.35 154	182 0.73	55		
			0	0.07	3.36	1650	1.56 55.1	23.5 0.09	30		

\* PWM input frequency is 25 kHz; models without specifications at 0% PWM duty cycle have zero fan speed at 0%.

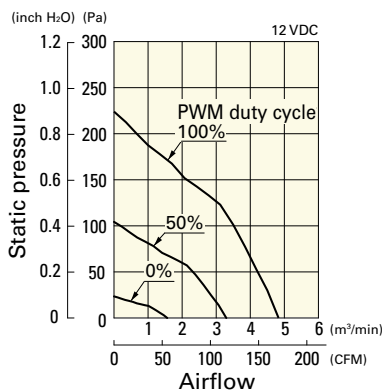
The following sensor and control options are available for selection.

Differs according to the model. Refer to the table on p. 607.  Without sensor  Pulse sensor  Lock sensor

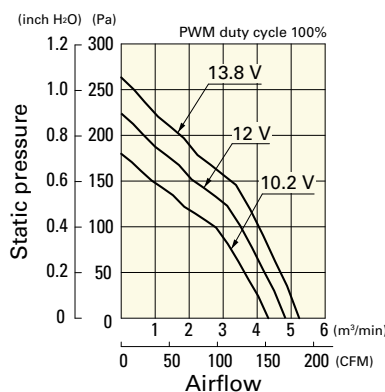
## Airflow - Static Pressure Characteristics / PWM Duty - Speed Characteristics Example

**9GV1212P4G01** With pulse sensor with PWM control function

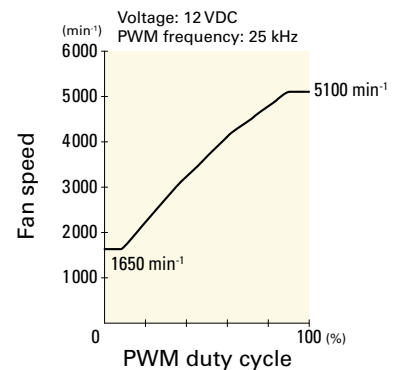
PWM duty cycle



Operating voltage range



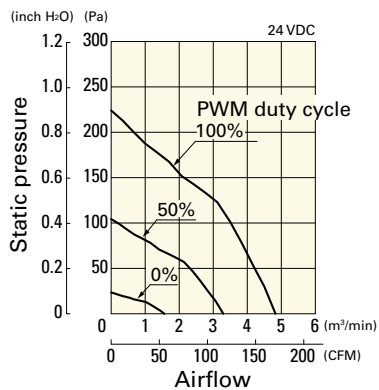
PWM duty - Speed characteristics example



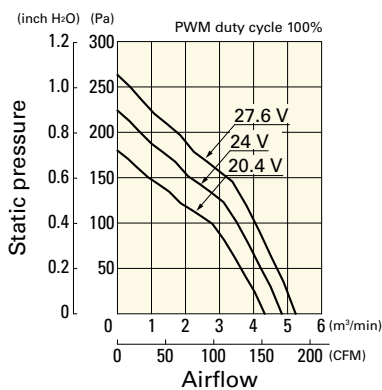
**Airflow - Static Pressure Characteristics / PWM Duty - Speed Characteristics Example**

**9GV1224P4G01** With pulse sensor with PWM control function

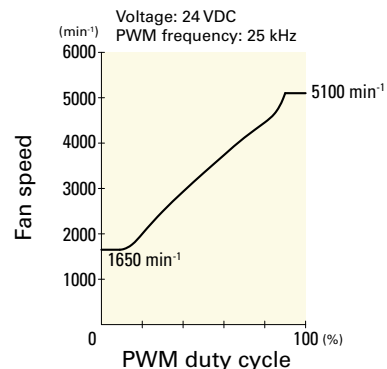
PWM duty cycle



Operating voltage range

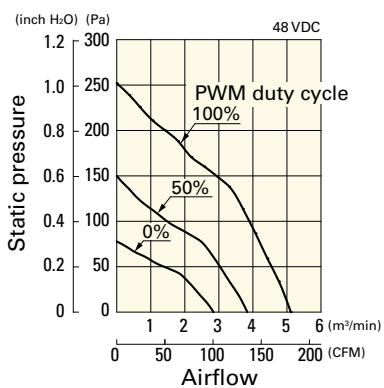


PWM duty - Speed characteristics example

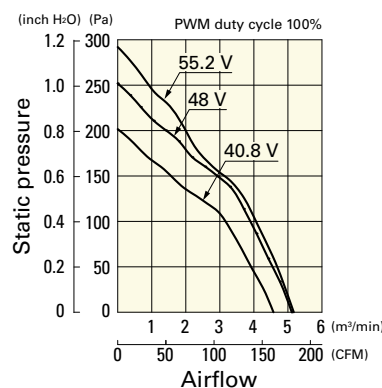


**9GV1248P4J01** With pulse sensor with PWM control function

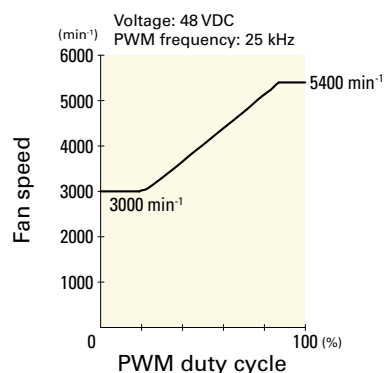
PWM duty cycle



Operating voltage range

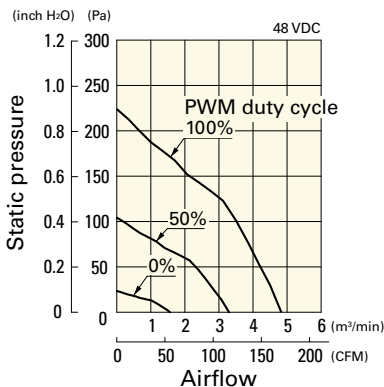


PWM duty - Speed characteristics example

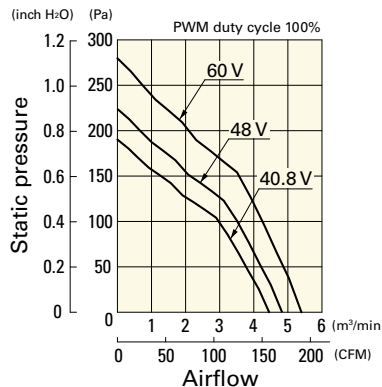


**9GV1248P4G01** With pulse sensor with PWM control function

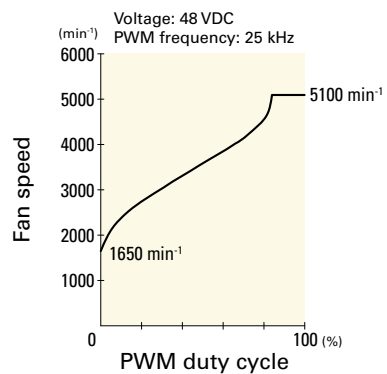
PWM duty cycle



Operating voltage range

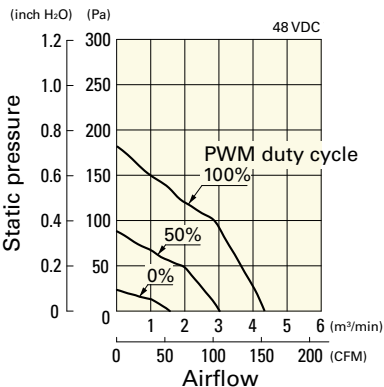


PWM duty - Speed characteristics example

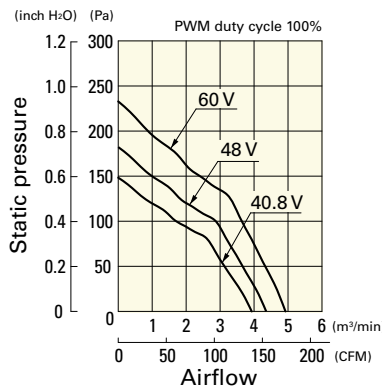


**9GV1248P4H01** With pulse sensor with PWM control function

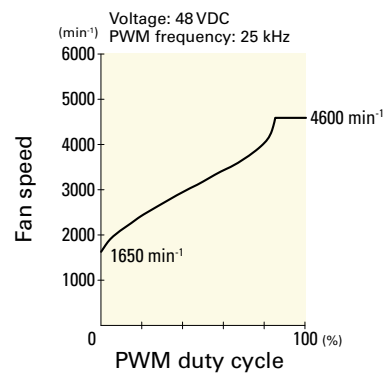
PWM duty cycle



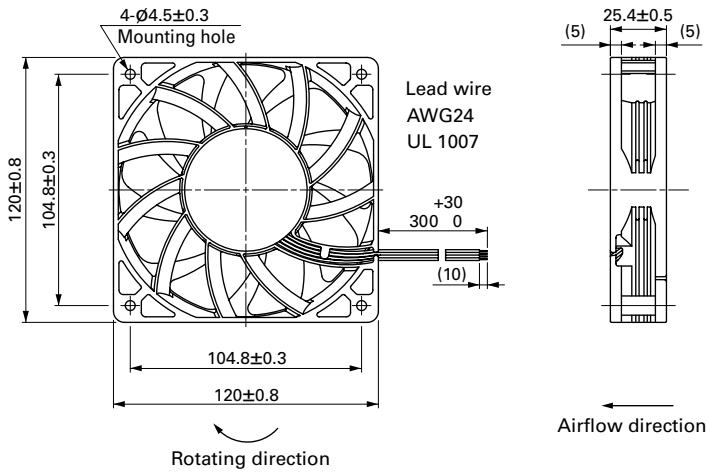
Operating voltage range



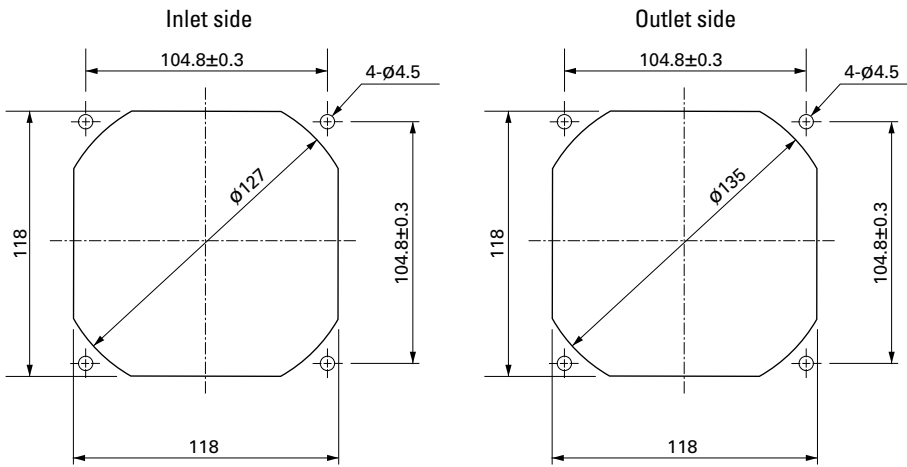
PWM duty - Speed characteristics example



**Dimensions (unit: mm)** (With ribs)



**Reference Dimensions of Mounting Holes and Vent Opening (unit: mm)**



**Options**

**Finger guards**

page: p. 559

Model no.: 109-019E, 109-019K, 109-019C, 109-019H

**Resin finger guards**

page: p. 565

Model no.: 109-1000G

**Resin filter kits**

page: p. 566

Model no.: 109-1000F13 (13PPI), 109-1000F20 (20PPI),  
109-1000F30 (30PPI), 109-1000F40 (40PPI)

DC Fan



# 120x120x25 mm

**San Ace 120 9G type** Model 9G1212B401 is not certified.

## General Specifications

- Material ..... Frame: Plastic (Flammability: UL 94V-0), Impeller: Plastic (Flammability: UL 94V-1)
- Expected life ..... See the table below. (L10 life: 90% survival rate for continuous operation in free air at 60°C, rated voltage)  
Expected life at 40°C is for reference only.
- Motor protection function ..... Locked rotor burnout protection, Reverse polarity protection  
For details, please refer to p. 573.
- Dielectric strength ..... 50/60 Hz, 500 VAC, for 1 minute (between lead wire conductors and frame)
- Insulation resistance ..... 10 MΩ or more with a 500 VDC megger (between lead wire conductors and frame)
- Sound pressure level (SPL) ..... At 1 m away from the air inlet
- Storage temperature ..... -30 to +70°C (Non-condensing)
- Lead wire ..... ⊕Red ⊖Black or Blue Sensor Yellow
- Mass ..... 240 g

## Specifications

The models listed below **have ribs and pulse sensors**. For models without ribs, append "1" to the end of model numbers.

Model no.	Rated voltage [V]	Operating voltage range [V]	Rated current [A]	Rated input [W]	Rated speed [min <sup>-1</sup> ]	Max. airflow [m <sup>3</sup> /min] [CFM]	Max. static pressure [Pa] [inchH <sub>2</sub> O]	SPL [dB (A)]	Operating temperature [°C]	Expected life [h]	
» 9G1212G401	12	10.2 to 13.8	0.9	10.8	4100	3.68 130	120 0.482	51	-20 to +70	40000/60°C (70000/40°C)	
» 9G1212E401			0.58	6.96	3650	3.25 115	98 0.394	48			
» 9G1212A401			0.4	4.8	3150	2.83 100	77 0.309	44			
» 9G1212H401		6 to 13.8	0.31	3.72	2850	2.5 88	64 0.257	40			
» 9G1212F401		7 to 13.8	0.19	2.28	2250	1.98 70	42 0.169	35			
» 9G1212M401			0.14	1.68	1950	1.66 59	31 0.124	29			
» 9G1212B401		10.2 to 13.8	0.06	0.72	1000	0.88 31	9.6 0.039	18			
» 9G1224G401		24	20.4 to 27.6	0.47	11.28	4100	3.68 130	120 0.482			51
» 9G1224E401				0.37	8.88	3650	3.25 115	98 0.394			48
» 9G1224A401				0.21	5.04	3150	2.83 100	77 0.309			44
» 9G1224H401	12 to 27.6		0.17	4.08	2850	2.5 88	64 0.257	40			
» 9G1224F401	20.4 to 27.6		0.1	2.4	2250	1.98 70	42 0.169	35			
» 9G1224M401			0.08	1.92	1950	1.66 59	31 0.124	29			
» 9G1248G401	48		40.8 to 55.2	0.23	11.04	4100	3.68 130	120 0.482	51		
» 9G1248E401				0.16	7.68	3650	3.25 115	98 0.394	48		
» 9G1248A401				0.13	6.24	3150	2.83 100	77 0.309	44		
» 9G1248H401				0.1	4.8	2850	2.5 88	64 0.257	40		
» 9G1248F401		0.06		2.88	2250	1.98 70	42 0.169	35			
» 9G1248M401		0.05		2.4	1950	1.66 59	31 0.124	29			

The following sensor and control options are available for selection.

Differs according to the model. Refer to the table on pp. 601 to 602. Without sensor Lock sensor PWM control

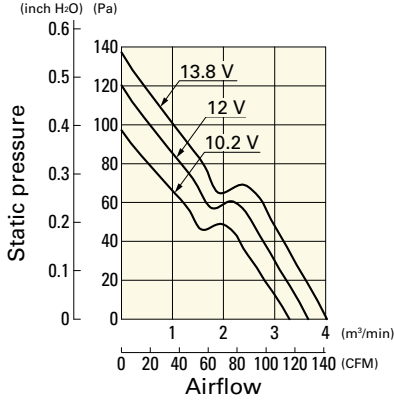
The » mark indicates Short LeadTime Service applicable models. See p. 626 for details.



**Airflow - Static Pressure Characteristics**

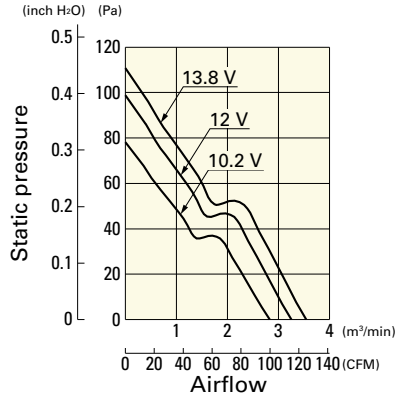
**9G1212G401** With pulse sensor

Operating voltage range



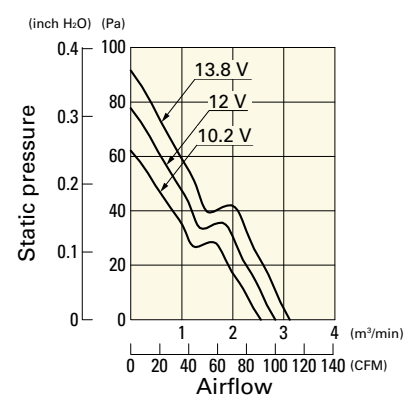
**9G1212E401** With pulse sensor

Operating voltage range



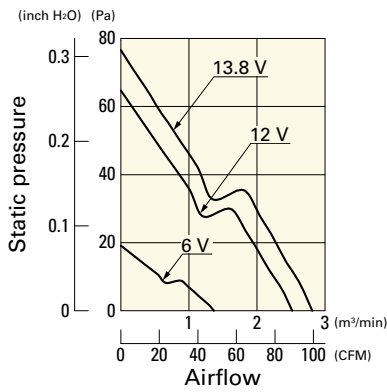
**9G1212A401** With pulse sensor

Operating voltage range



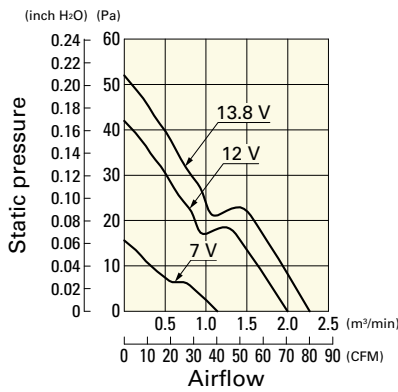
**9G1212H401** With pulse sensor

Operating voltage range



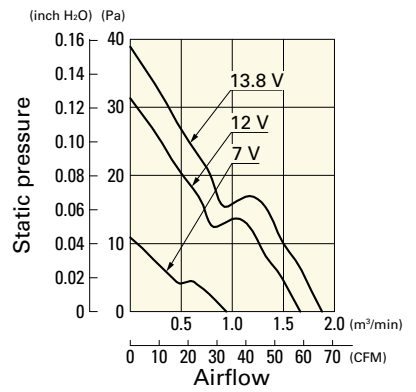
**9G1212F401** With pulse sensor

Operating voltage range



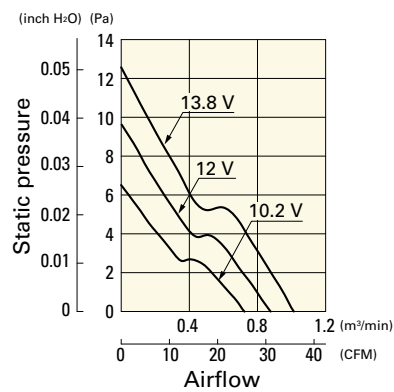
**9G1212M401** With pulse sensor

Operating voltage range



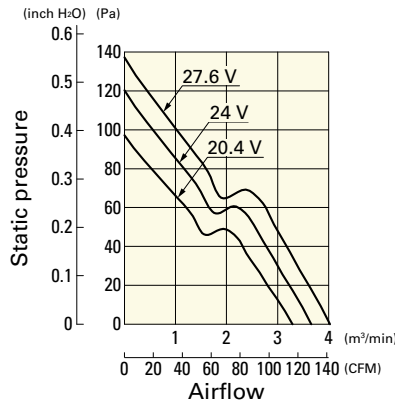
**9G1212B401** With pulse sensor

Operating voltage range



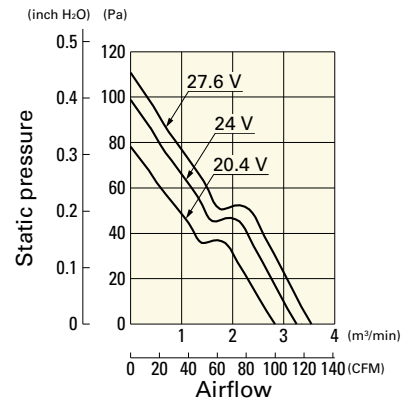
**9G1224G401** With pulse sensor

Operating voltage range



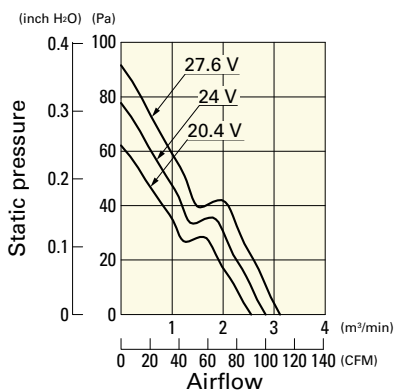
**9G1224E401** With pulse sensor

Operating voltage range



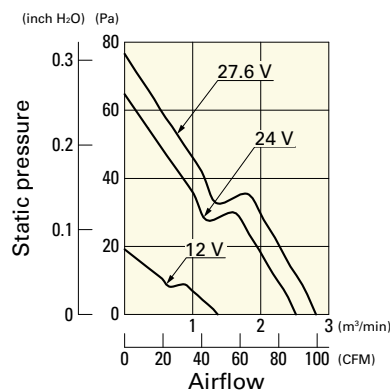
**9G1224A401** With pulse sensor

Operating voltage range



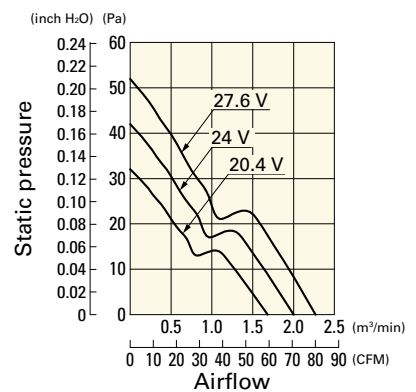
**9G1224H401** With pulse sensor

Operating voltage range



**9G1224F401** With pulse sensor

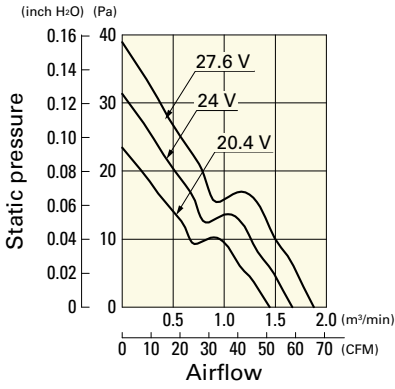
Operating voltage range



**Airflow - Static Pressure Characteristics**

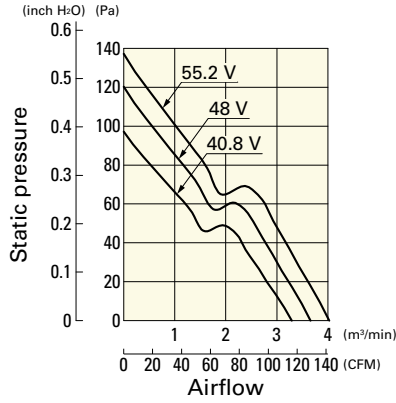
**9G1224M401** With pulse sensor

Operating voltage range



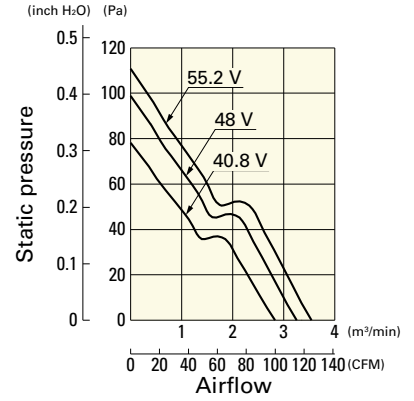
**9G1248G401** With pulse sensor

Operating voltage range



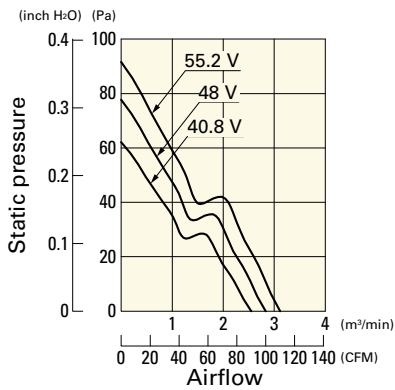
**9G1248E401** With pulse sensor

Operating voltage range



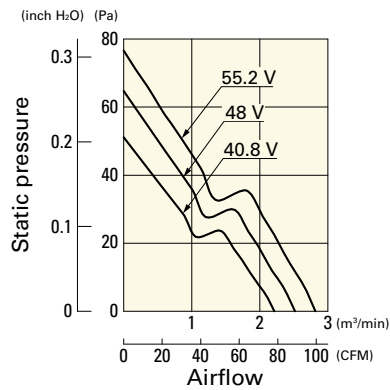
**9G1248A401** With pulse sensor

Operating voltage range



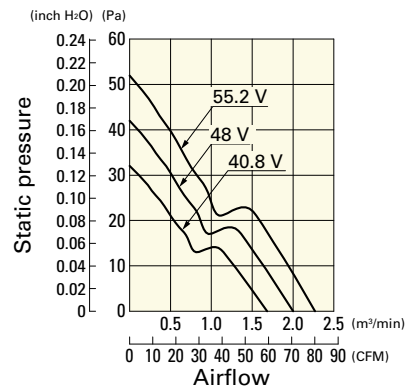
**9G1248H401** With pulse sensor

Operating voltage range



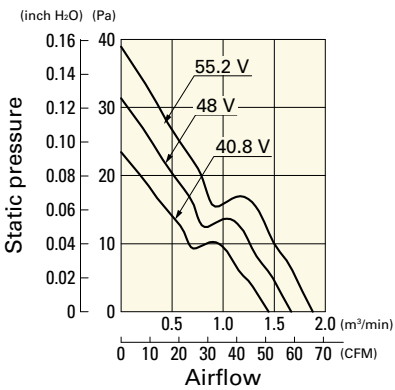
**9G1248F401** With pulse sensor

Operating voltage range

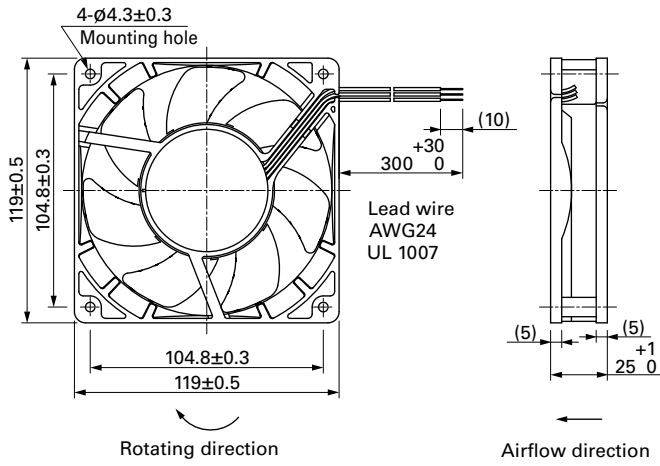


**9G1248M401** With pulse sensor

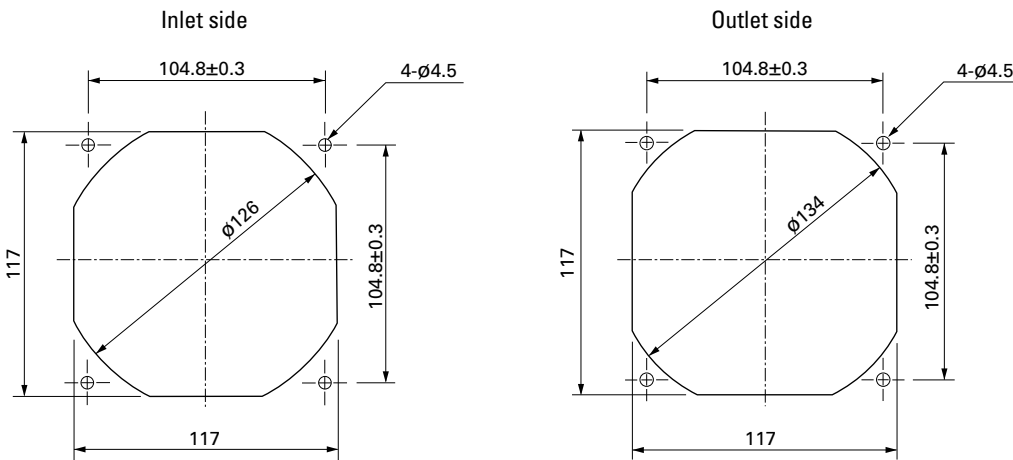
Operating voltage range



**Dimensions (unit: mm)** (With ribs)



**Reference Dimensions of Mounting Holes and Vent Opening (unit: mm)**



**Options**

Finger guards

page: p. 559

Model no.: 109-019E, 109-019K, 109-019C, 109-019H

Resin finger guards

page: p. 565

Model no.: 109-1000G

Resin filter kits

page: p. 566

Model no.: 109-1000F13 (13PPI), 109-1000F20 (20PPI),  
109-1000F30 (30PPI), 109-1000F40 (40PPI)

DC Fan

# 120x120x25 mm



**San Ace 120 9S** type Silent Fan

## General Specifications

- Material ..... Frame: Plastic (Flammability: UL 94V-0), Impeller: Plastic (Flammability: UL 94V-1)
- Expected life ..... See the table below. (L10 life: 90% survival rate for continuous operation in free air at 60°C, rated voltage)  
Expected life at 40°C is for reference only.
- Motor protection function ..... Locked rotor burnout protection, Reverse polarity protection  
For details, please refer to p. 573.
- Dielectric strength ..... 50/60 Hz, 500 VAC, for 1 minute (between lead wire conductors and frame)
- Insulation resistance ..... 10 MΩ or more with a 500 VDC megger (between lead wire conductors and frame)
- Sound pressure level (SPL) ..... At 1 m away from the air inlet
- Storage temperature ..... -30 to +70°C (Non-condensing)
- Lead wire ..... ⊕Red ⊖Black Sensor Yellow
- Mass ..... 140 g

## Specifications

The models listed below **have ribs and pulse sensors**. For models without ribs, append "1" to the end of model numbers.

Model no.	Rated voltage [V]	Operating voltage range [V]	Rated current [A]	Rated input [W]	Rated speed [min <sup>-1</sup> ]	Max. airflow [m <sup>3</sup> /min] [CFM]	Max. static pressure [Pa] [inchH <sub>2</sub> O]	SPL [dB (A)]	Operating temperature [°C]	Expected life [h]
» 9S1212H401	12	5.0 to 13.2	0.39	4.68	2700	2.45 86.5	45.2 0.18	36	-10 to +60	40000/60°C (70000/40°C)
» 9S1212F401		5.0 to 13.8	0.19	2.28	2200	2.0 70.6	30.0 0.12	30		
» 9S1212M401		6.0 to 13.8	0.13	1.56	1850	1.66 58.6	22.7 0.09	24		
» 9S1212L401		7.0 to 13.8	0.08	0.96	1500	1.36 48.1	14.9 0.06	17		
» 9S1224M401		24	14 to 26.4	0.06	1.44	1850	1.66 58.6	22.7 0.09		

The following sensor and control options are available for selection.

Available for all models. **Without sensor**

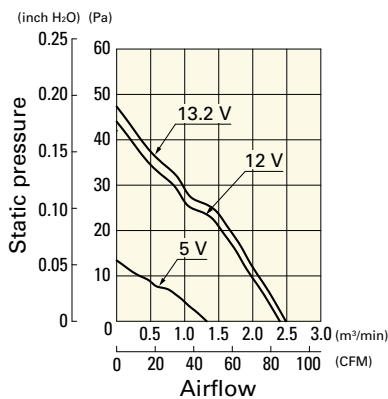
Differs according to the model. Refer to the table on p. 610. **Lock sensor** **PWM control**

The » mark indicates Short Lead Time Service applicable models. See p. 626 for details.

## Airflow - Static Pressure Characteristics

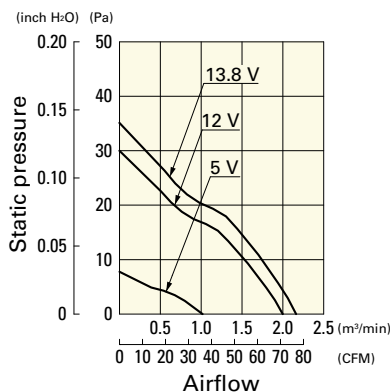
**9S1212H401** With pulse sensor

Operating voltage range



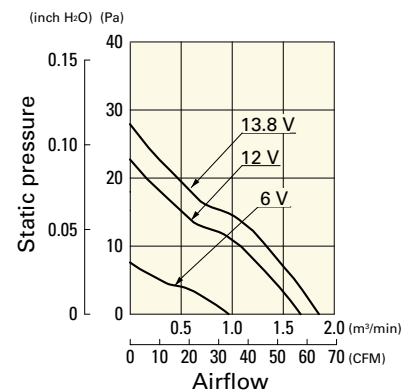
**9S1212F401** With pulse sensor

Operating voltage range



**9S1212M401** With pulse sensor

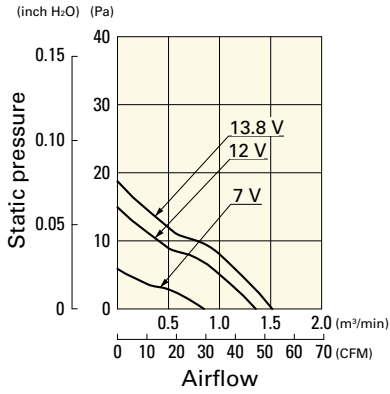
Operating voltage range



**Airflow - Static Pressure Characteristics**

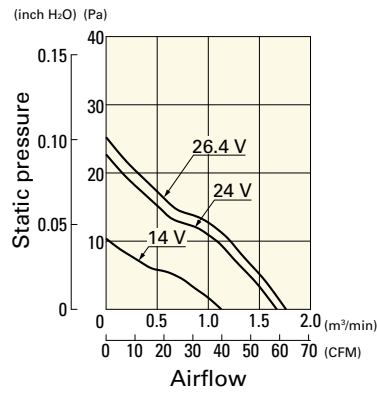
**9S1212L401** With pulse sensor

Operating voltage range

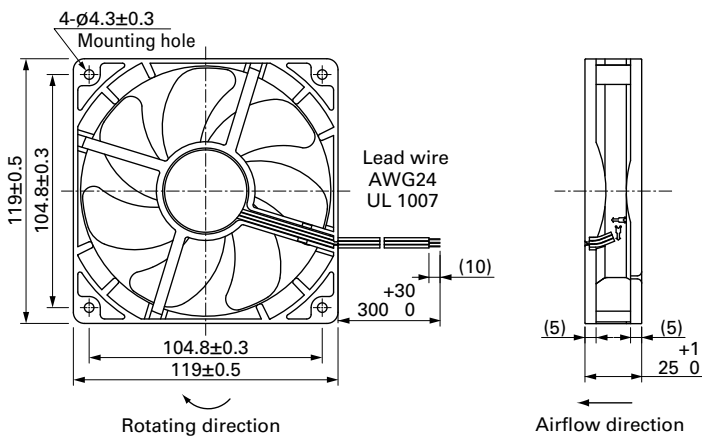


**9S1224M401** With pulse sensor

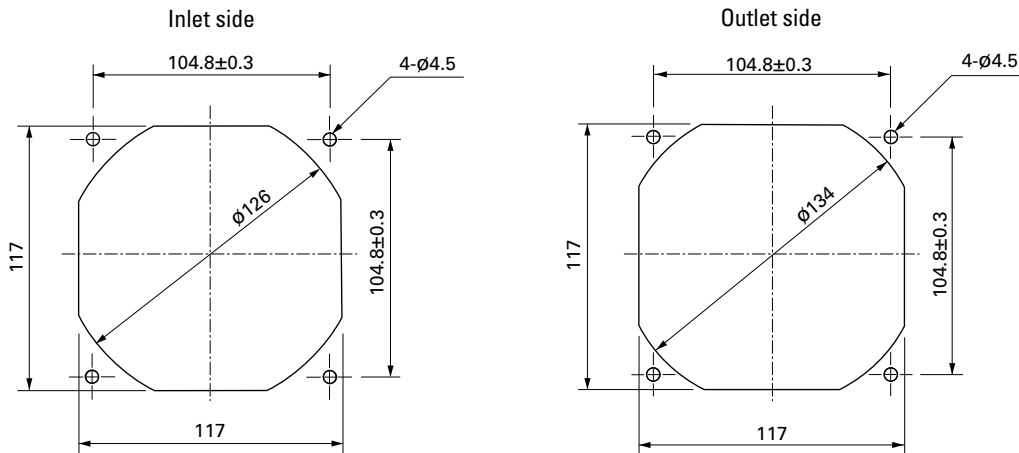
Operating voltage range



**Dimensions (unit: mm)** (With ribs)



**Reference Dimensions of Mounting Holes and Vent Opening (unit: mm)**



**Options**

Finger guards page: p. 559

Model no.: 109-019E, 109-019K, 109-019C, 109-019H

Resin finger guards page: p. 565

Model no.: 109-1000G

Resin filter kits page: p. 566

Model no.: 109-1000F13 (13PPI), 109-1000F20 (20PPI),  
109-1000F30 (30PPI), 109-1000F40 (40PPI)

DC Fan

# 120×120×38 mm



**San Ace 120 9HV** type

## General Specifications

- Material ..... Frame: Aluminum, Impeller: Plastic (Flammability: UL 94V-1)
- Expected life ..... See the table below. (L10 life: 90% survival rate for continuous operation in free air at 60°C, rated voltage)  
Expected life at 40°C is for reference only.
- Motor protection function ..... Locked rotor burnout protection, Reverse polarity protection  
For details, please refer to p. 573.
- Dielectric strength ..... 50/60 Hz, 500 VAC, for 1 minute (between lead wire conductors and frame)
- Insulation resistance ..... 10 MΩ or more with a 500 VDC megger (between lead wire conductors and frame)
- Sound pressure level (SPL) ..... At 1 m away from the air inlet
- Storage temperature ..... -30 to +70°C (Non-condensing)
- Lead wire ..... ⊕Red ⊖Black  Sensor  Yellow  Control  Brown
- Mass ..... 460 g

## Specifications

The models listed below **have pulse sensors with PWM control function.**

Model no.	Rated voltage [V]	Operating voltage range [V]	PWM duty cycle* [%]	Rated current [A]	Rated input [W]	Rated speed [min <sup>-1</sup> ]	Max. airflow [m <sup>3</sup> /min] [CFM]	Max. static pressure [Pa] [inchH <sub>2</sub> O]	SPL [dB (A)]	Operating temperature [°C]	Expected life [h]
9HV1224P1A001	24	21.6 to 26.4	100	2.4	57.6	9600	7.0 247	950 3.82	71	-20 to +70	40000/60°C (70000/40°C)
			0	0.37	8.88	3800	2.7 95	161 0.65	46		
9HV1248P1G001	48	36 to 60	100	2.0	96	11500	8.3 293	1300 5.22	75		
			0	0.23	11	3800	2.7 95	161 0.65	46		
9HV1248P1H001	48	36 to 60	100	1.4	67	10000	7.2 254	1050 4.22	72		
			0	0.23	11	3800	2.7 95	161 0.65	46		

\* PWM input frequency is 25 kHz; models without specifications at 0% PWM duty cycle have zero fan speed at 0%.

The following sensor and control options are available for selection.

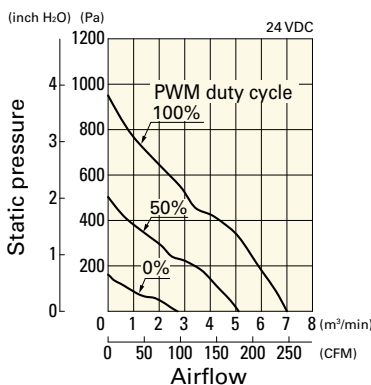
Differs according to the model. Refer to the table on p. 607.  Without sensor  Pulse sensor  Lock sensor

The mark indicates Short LeadTime Service applicable models. See p. 626 for details.

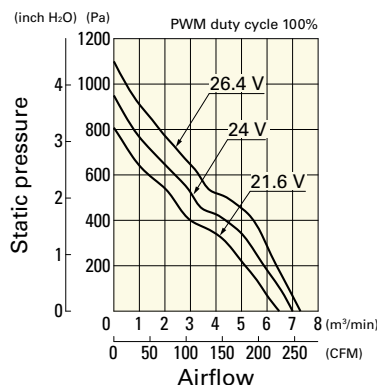
## Airflow - Static Pressure Characteristics / PWM Duty - Speed Characteristics Example

**9HV1224P1A001** With pulse sensor with PWM control function

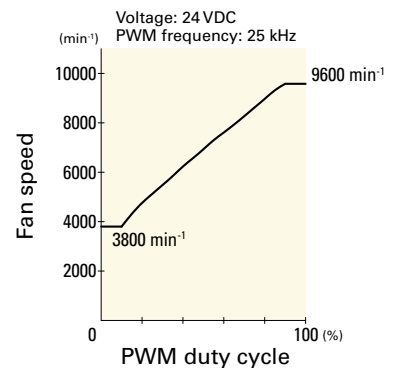
PWM duty cycle



Operating voltage range



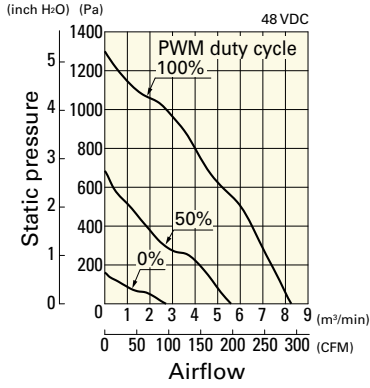
PWM duty - Speed characteristics example



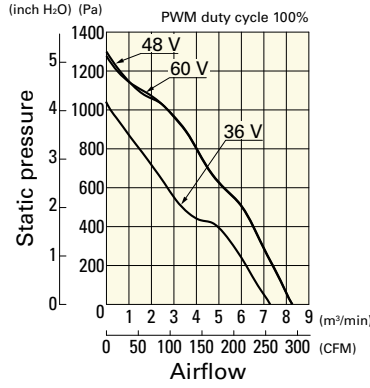
**Airflow - Static Pressure Characteristics / PWM Duty - Speed Characteristics Example**

**9HV1248P1G001** With pulse sensor with PWM control function

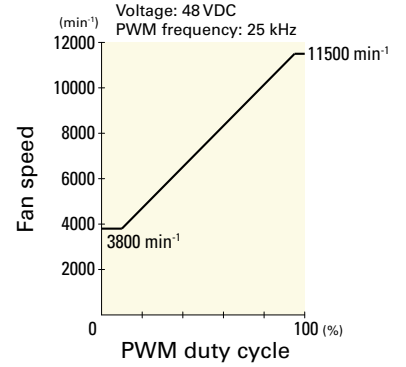
PWM duty cycle



Operating voltage range

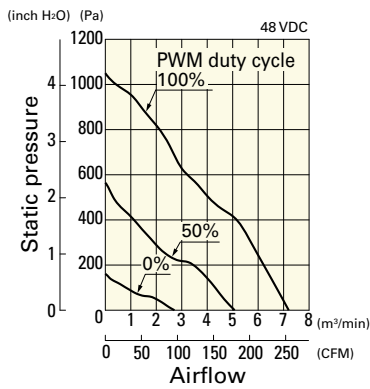


PWM duty - Speed characteristics example

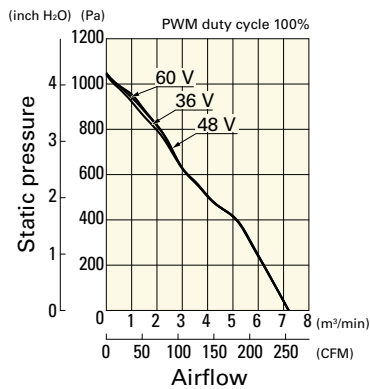


**9HV1248P1H001** With pulse sensor with PWM control function

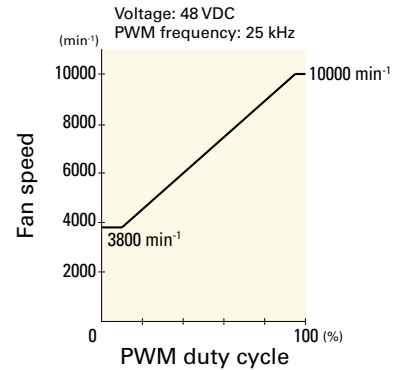
PWM duty cycle



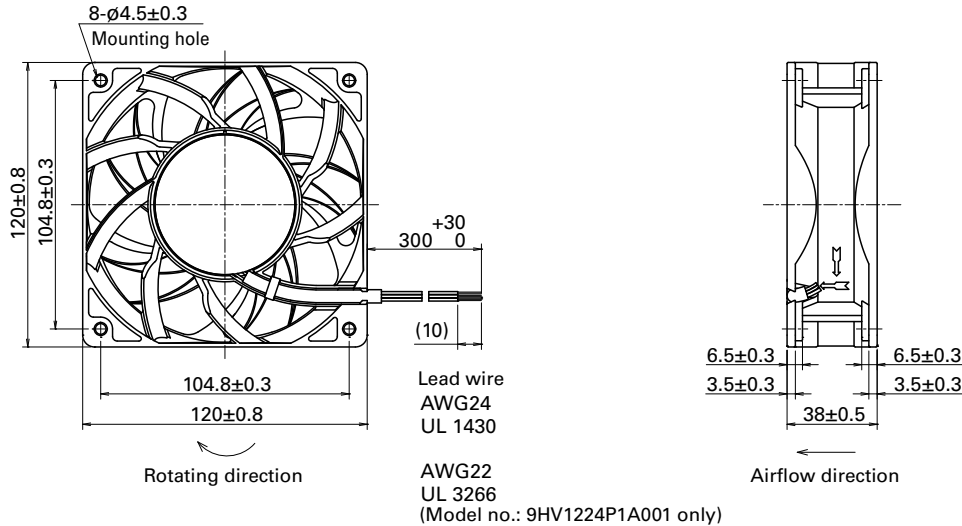
Operating voltage range



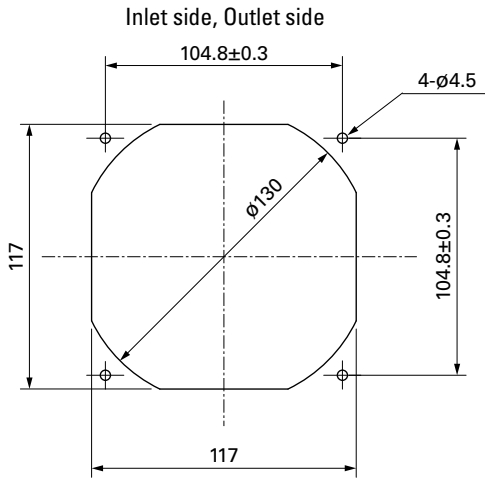
PWM duty - Speed characteristics example



**Dimensions (unit: mm)**



## Reference Dimensions of Mounting Holes and Vent Opening (unit: mm)



## Options

### Finger guards

page: p. 559

Model no.: 109-019E, 109-019K, 109-019C, 109-019H

### Resin finger guards

page: p. 565

Model no.: 109-1000G

### Resin filter kits

page: p. 566

Model no.: 109-1000F13 (13PPI), 109-1000F20 (20PPI),  
109-1000F30 (30PPI), 109-1000F40 (40PPI)





# 120×120×38 mm

San Ace 120 9GV type US

## General Specifications

- Material ..... Frame: Plastic (Flammability: UL 94V-0), Impeller: Plastic (Flammability: UL 94V-1)
- Expected life ..... See the table below. (L10 life: 90% survival rate for continuous operation in free air at 60°C, rated voltage)  
Expected life at 40°C is for reference only.
- Motor protection function ..... Locked rotor burnout protection, Reverse polarity protection  
For details, please refer to p. 573.
- Dielectric strength ..... 50/60 Hz, 500 VAC, for 1 minute (between lead wire conductors and frame)
- Insulation resistance ..... 10 MΩ or more with a 500 VDC megger (between lead wire conductors and frame)
- Sound pressure level (SPL) ..... At 1 m away from the air inlet
- Storage temperature ..... -30 to +70°C (Non-condensing)
- Lead wire ..... ⊕Red ⊖Black  Sensor  Yellow  Control  Brown
- Mass ..... 360 g

## Specifications

The models listed below **have ribs and pulse sensors with PWM control function.** For models without ribs, append "1" to the end of model numbers.

Model no.	Rated voltage [V]	Operating voltage range [V]	PWM duty cycle [%]	Rated current [A]	Rated input [W]	Rated speed [min <sup>-1</sup> ]	Max. airflow [m <sup>3</sup> /min] [CFM]	Max. static pressure [Pa] [inchH <sub>2</sub> O]	SPL [dB (A)]	Operating temperature [°C]	Expected life [h]
9GV1212P1J01	12	10.2 to 13.8	100	3.0	36.0	6400	6.35 224.0	360.0 1.45	64	-20 to +70	40000/60°C (70000/40°C)
			0	0.19	2.28	1500	1.49 52.6	19.8 0.08	33		
9GV1212P1G01	12	10.2 to 13.8	100	2.1	25.2	5500	5.45 192.6	265 1.06	60		
			0	0.19	2.28	1500	1.49 52.6	19.8 0.08	33		
9GV1224P1J01	24	20.4 to 27.6	100	1.5	36.0	6400	6.35 224.0	360 1.45	64		
9GV1224P1H01			100	0.8	19.2	5200	5.16 182.3	237 0.95	58		
9GV1248P1J01	48	40.8 to 55.2	100	0.75	36.0	6400	6.35 224.0	360.0 1.45	64		
			0	0.06	2.88	1500	1.49 52.6	26.1 0.106	33		

\* PWM input frequency is 25 kHz; models without specifications at 0% PWM duty cycle have zero fan speed at 0%.

The following sensor and control options are available for selection.

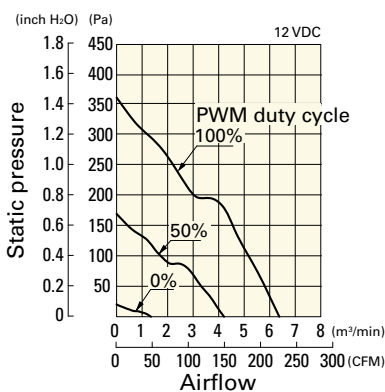
Differs according to the model. Refer to the table on pp. 606 to 607.  Without sensor  Pulse sensor  Lock sensor

The mark indicates Short Lead Time Service applicable models. See p. 626 for details.

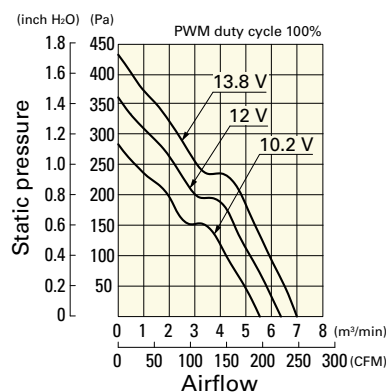
## Airflow - Static Pressure Characteristics / PWM Duty - Speed Characteristics Example

**9GV1212P1J01** With pulse sensor with PWM control function

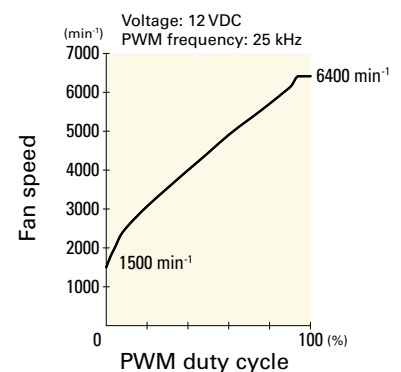
PWM duty cycle



Operating voltage range



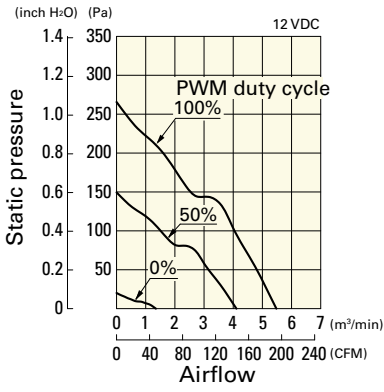
PWM duty - Speed characteristics example



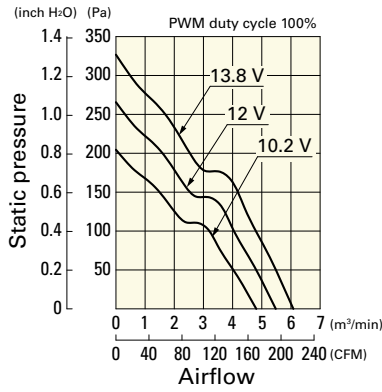
**Airflow - Static Pressure Characteristics / PWM Duty - Speed Characteristics Example**

**9GV1212P1G01** With pulse sensor with PWM control function

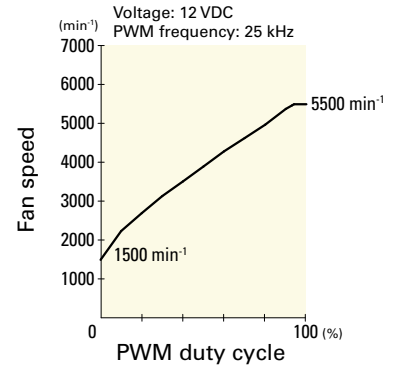
PWM duty cycle



Operating voltage range

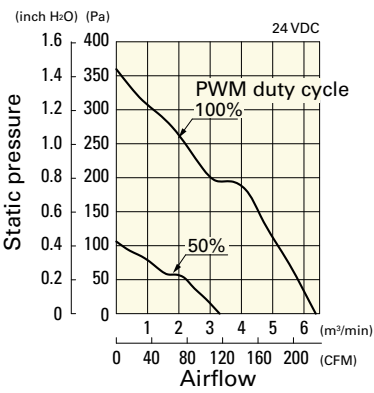


PWM duty - Speed characteristics example

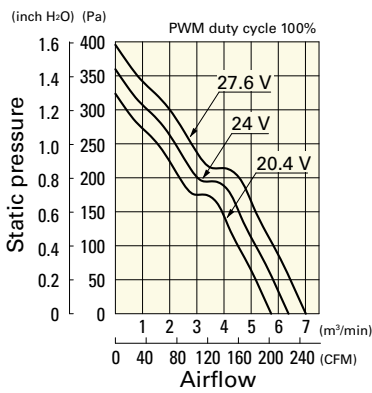


**9GV1224P1J01** With pulse sensor with PWM control function

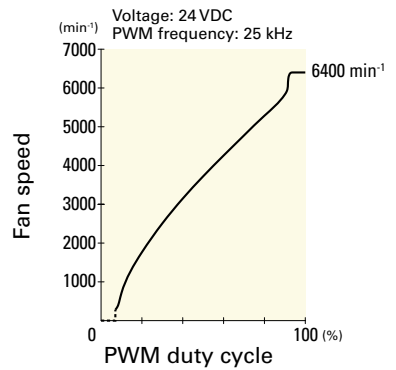
PWM duty cycle



Operating voltage range

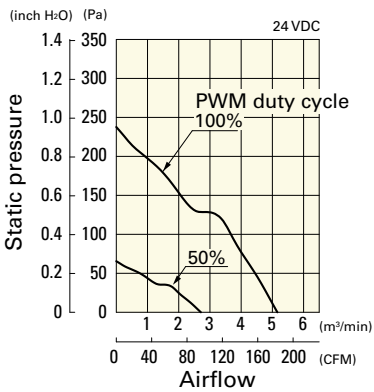


PWM duty - Speed characteristics example

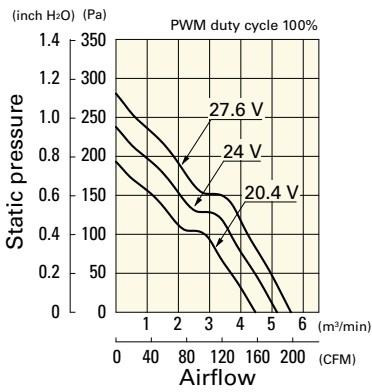


**9GV1224P1H01** With pulse sensor with PWM control function

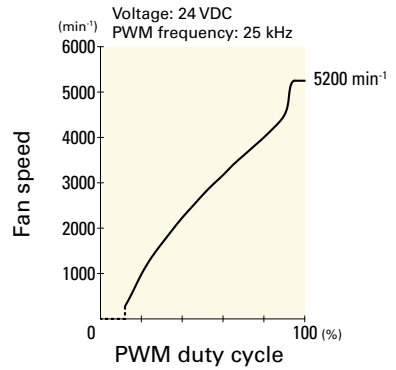
PWM duty cycle



Operating voltage range

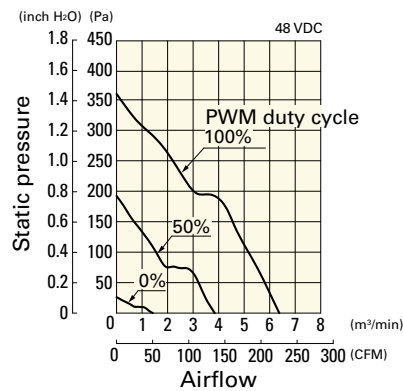


PWM duty - Speed characteristics example

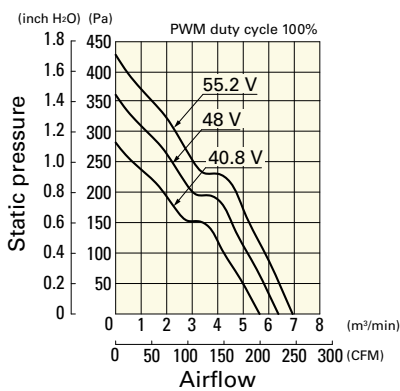


**9GV1248P1J01** With pulse sensor with PWM control function

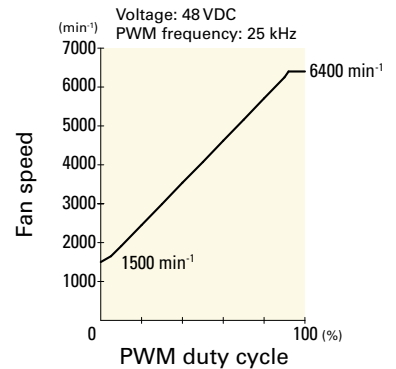
PWM duty cycle



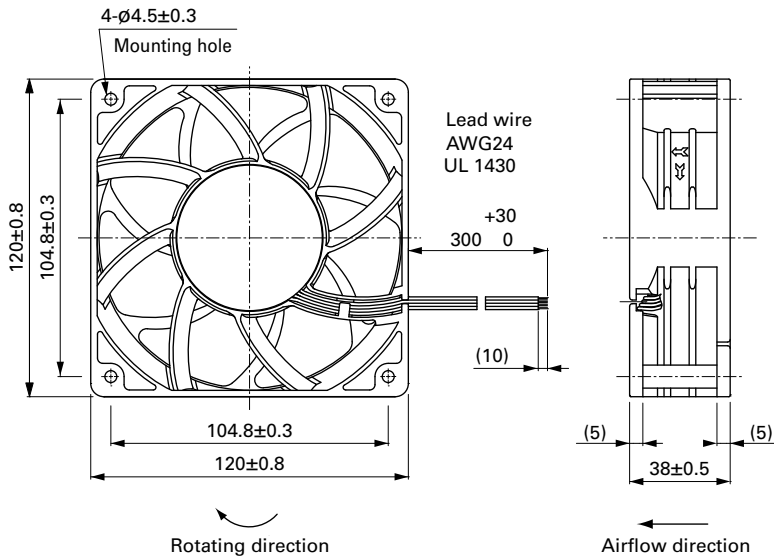
Operating voltage range



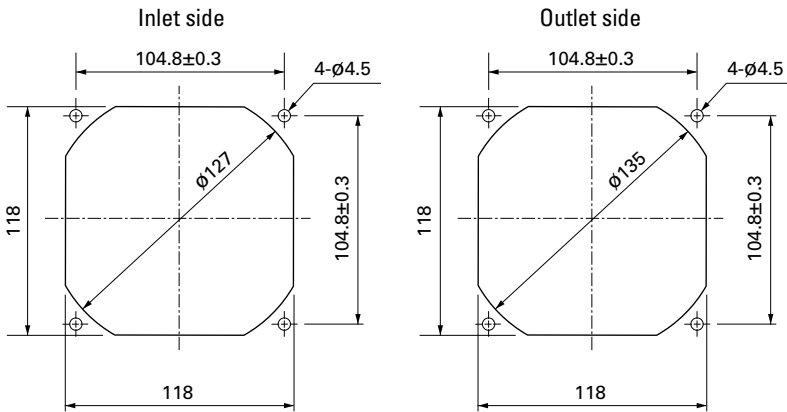
PWM duty - Speed characteristics example



**Dimensions (unit: mm)** (With ribs)



**Reference Dimensions of Mounting Holes and Vent Opening (unit: mm)**



**Options**

**Finger guards** page: p. 559

Model no.: 109-019E, 109-019K, 109-019C, 109-019H

**Resin finger guards** page: p. 565

Model no.: 109-1000G

**Resin filter kits** page: p. 566

Model no.: 109-1000F13 (13PPI), 109-1000F20 (20PPI),  
109-1000F30 (30PPI), 109-1000F40 (40PPI)

# 120×120×38 mm



**San Ace 120 9SG type** Model 9SG1224H101 is not certified.

## General Specifications

- Material ..... Frame: Aluminum, Impeller: Plastic (Flammability: UL 94V-1)
- Expected life ..... See the table below. (L10 life: 90% survival rate for continuous operation in free air at 60°C, rated voltage)  
Expected life at 40°C is for reference only.
- Motor protection function ..... Locked rotor burnout protection, Reverse polarity protection  
For details, please refer to p. 573.
- Dielectric strength ..... 50/60 Hz, 500 VAC, for 1 minute (between lead wire conductors and frame)
- Insulation resistance ..... 10 MΩ or more with a 500 VDC megger (between lead wire conductors and frame)
- Sound pressure level (SPL) ..... At 1 m away from the air inlet
- Storage temperature ..... -30 to +70°C (Non-condensing)
- Lead wire ..... ⊕Red ⊖Black or Blue Sensor Yellow
- Mass ..... 400 g

## Specifications

The models listed below **have pulse sensors.**

Model no.	Rated voltage [V]	Operating voltage range [V]	Rated current [A]	Rated input [W]	Rated speed [min <sup>-1</sup> ]	Max. airflow [m <sup>3</sup> /min] [CFM]	Max. static pressure [Pa] [inchH <sub>2</sub> O]	SPL [dB (A)]	Operating temperature [°C]	Expected life [h]
» 9SG1212G101	24	20.4 to 27.6	4.0	48.0	6000	7.35 260	340 1.37	64	-20 to +70	40000/60°C (70000/40°C)
» 9SG1224G101			2.0	48.0	6000	7.35 260	340 1.37	64		
» 9SG1224H101			0.46	11.0	3400	4.02 142	126 0.51	48		
» 9SG1248G101	1.0	48.0	6000	7.35 260	340 1.37	64				

The following sensor and control options are available for selection.

Available for all models. Without sensor

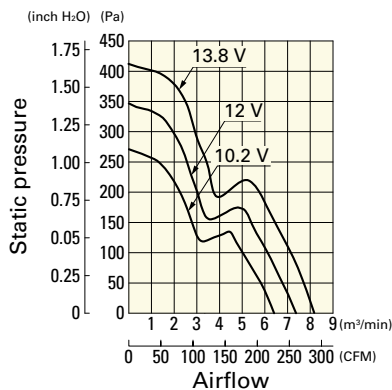
Differs according to the model. Refer to the table on p. 610. Lock sensor PWM control

The » mark indicates Short LeadTime Service applicable models. See p. 626 for details.

## Airflow - Static Pressure Characteristics

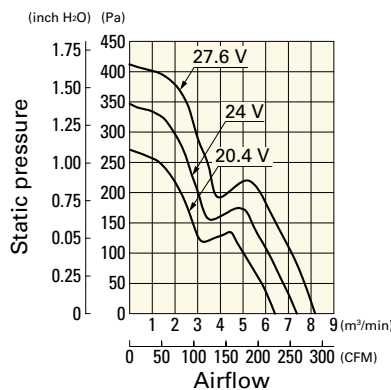
**9SG1212G101** With pulse sensor

Operating voltage range



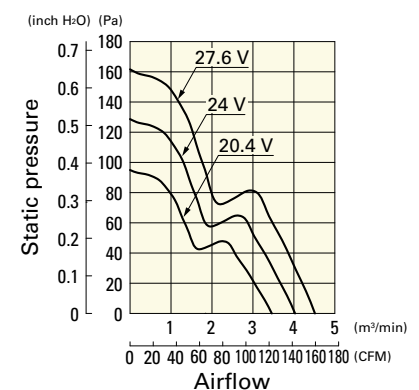
**9SG1224G101** With pulse sensor

Operating voltage range



**9SG1224H101** With pulse sensor

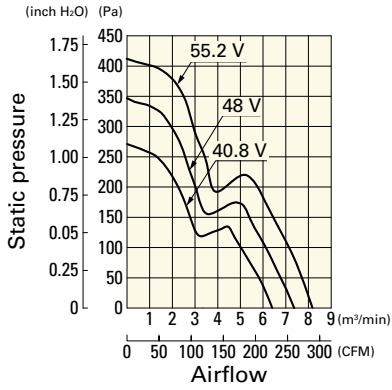
Operating voltage range



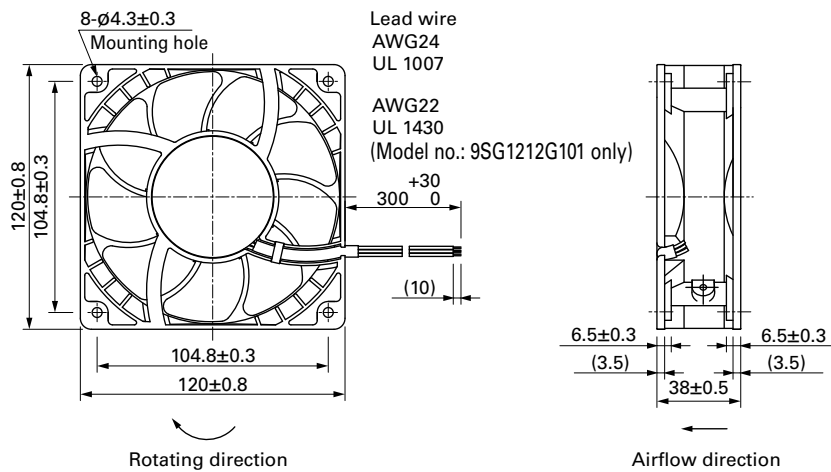
## Airflow - Static Pressure Characteristics

**9SG1248G101** With pulse sensor

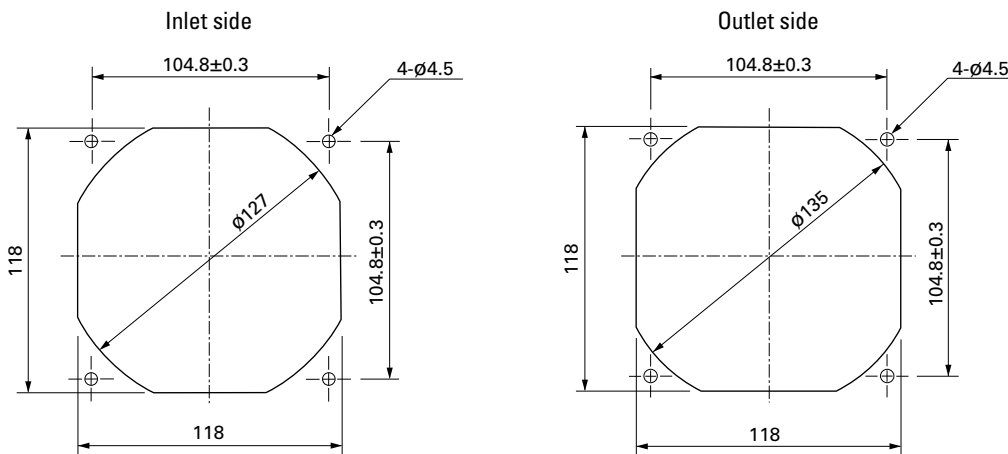
Operating voltage range



## Dimensions (unit: mm)



## Reference Dimensions of Mounting Holes and Vent Opening (unit: mm)



## Options

Finger guards

page: p. 559

Model no.: 109-019E, 109-019K, 109-019C, 109-019H

Resin finger guards

page: p. 565

Model no.: 109-1000G

Resin filter kits

page: p. 566

Model no.: 109-1000F13 (13PPI), 109-1000F20 (20PPI),  
109-1000F30 (30PPI), 109-1000F40 (40PPI)

DC Fan

# 120×120×38 mm



San Ace 120 9G type

## General Specifications

- Material ..... Frame: Plastic (Flammability: UL 94V-0), Impeller: Plastic (Flammability: UL 94V-1)
- Expected life ..... See the table below. (L10 life: 90% survival rate for continuous operation in free air at 60°C, rated voltage)  
Expected life at 40°C is for reference only.
- Motor protection function ..... Locked rotor burnout protection, Reverse polarity protection  
For details, please refer to p. 573.
- Dielectric strength ..... 50/60 Hz, 500 VAC, for 1 minute (between lead wire conductors and frame)
- Insulation resistance ..... 10 MΩ or more with a 500 VDC megger (between lead wire conductors and frame)
- Sound pressure level (SPL) ..... At 1 m away from the air inlet
- Storage temperature ..... -30 to +70°C (Non-condensing)
- Lead wire ..... ⊕Red ⊖Black or Blue Sensor Yellow
- Mass ..... 330 g

## Specifications

The models listed below **have ribs and pulse sensors**. For models without ribs, append "1" to the end of model numbers.

Model no.	Rated voltage [V]	Operating voltage range [V]	Rated current [A]	Rated input [W]	Rated speed [min <sup>-1</sup> ]	Max. airflow [m <sup>3</sup> /min] [CFM]	Max. static pressure [Pa] [inchH <sub>2</sub> O]	SPL [dB (A)]	Operating temperature [°C]	Expected life [h]
9G1212G101	12	10.2 to 13.8	0.98	11.76	3600	3.88 137	135 0.542	49	-20 to +70	40000/60°C (70000/40°C)
9G1212E101			0.61	7.32	3100	3.34 118	100 0.402	46		
9G1212H101		7 to 13.8	0.38	4.56	2600	2.8 99	70.4 0.283	39		
9G1212F101			0.28	3.36	2280	2.45 87	54.2 0.218	36		
9G1212M101			0.21	2.52	1950	2.1 74	39.6 0.159	32		
9G1224G101			24	20.4 to 27.6	0.5	12	3600	3.88 137		
9G1224E101	0.34	8.16			3100	3.34 118	100 0.402	46		
9G1224H101	14 to 27.6	0.22		5.28	2600	2.8 99	70.4 0.283	39		
9G1224F101		0.16		3.84	2280	2.45 87	54.2 0.218	36		
9G1224M101		0.11		2.64	1950	2.1 74	39.6 0.159	32		
9G1248G101		48		40.8 to 55.2	0.25	12	3600	3.88 137		
9G1248E101	0.17		8.16		3100	3.34 118	100 0.402	46		
9G1248H101	0.11		5.28		2600	2.8 99	70.4 0.283	39		
9G1248F101	0.09		4.32		2280	2.45 87	54.2 0.218	36		
9G1248M101	0.07		3.36		1950	2.1 74	39.6 0.159	32		

The following sensor and control options are available for selection.

Available for all models. Without sensor

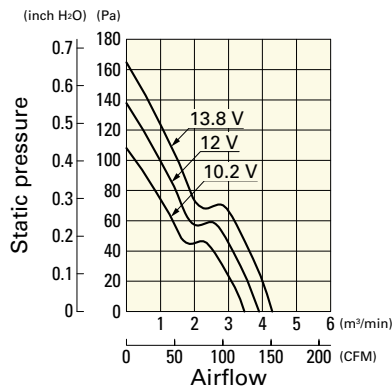
Differs according to the model. Refer to the table on pp. 601 to 602. Lock sensor PWM control

The mark indicates Short Lead Time Service applicable models. See p. 626 for details.

## Airflow - Static Pressure Characteristics

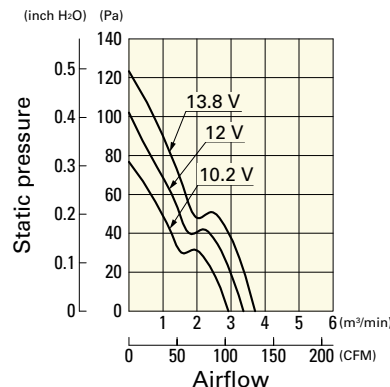
**9G1212G101** With pulse sensor

Operating voltage range



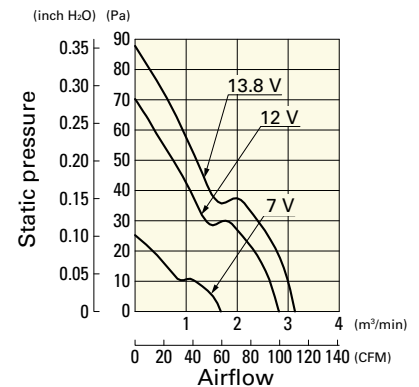
**9G1212E101** With pulse sensor

Operating voltage range



**9G1212H101** With pulse sensor

Operating voltage range

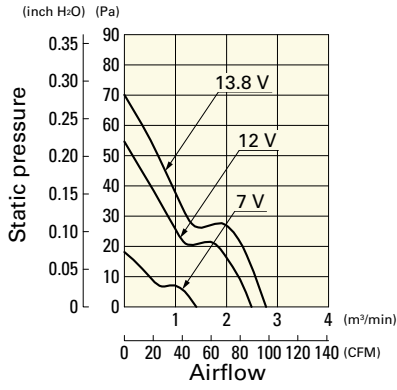


# Airflow - Static Pressure Characteristics

DC Fan 120 mm sq.

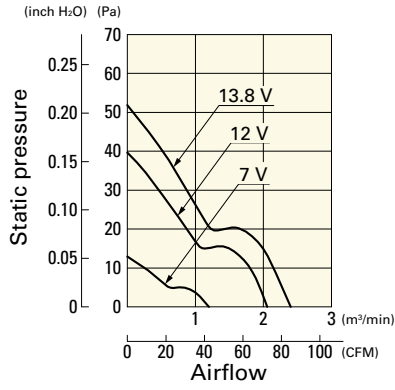
**9G1212F101** With pulse sensor

Operating voltage range



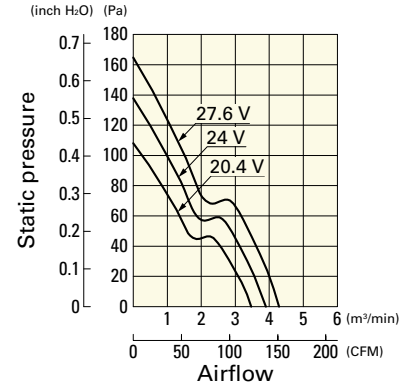
**9G1212M101** With pulse sensor

Operating voltage range



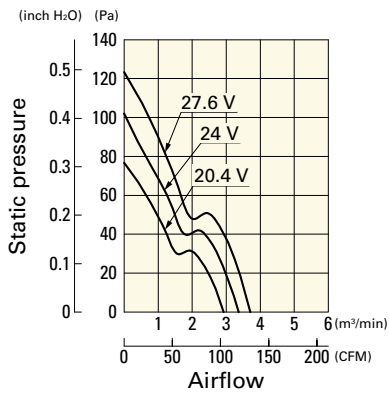
**9G1224G101** With pulse sensor

Operating voltage range



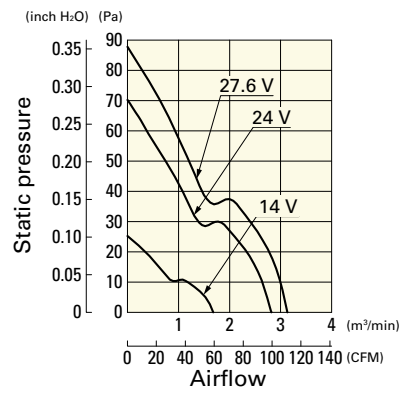
**9G1224E101** With pulse sensor

Operating voltage range



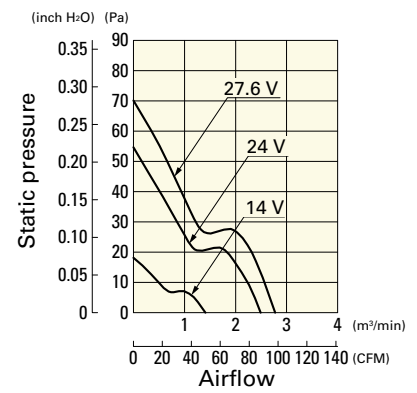
**9G1224H101** With pulse sensor

Operating voltage range



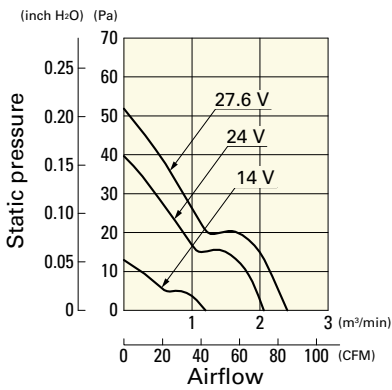
**9G1224F101** With pulse sensor

Operating voltage range



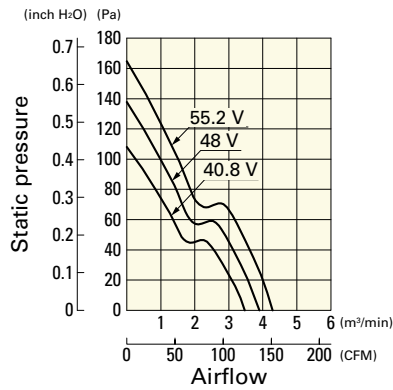
**9G1224M101** With pulse sensor

Operating voltage range



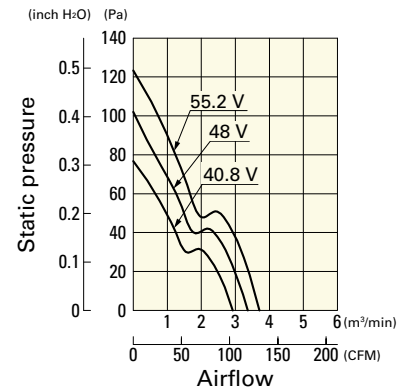
**9G1248G101** With pulse sensor

Operating voltage range



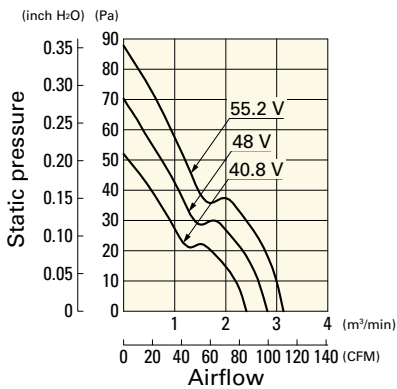
**9G1248E101** With pulse sensor

Operating voltage range



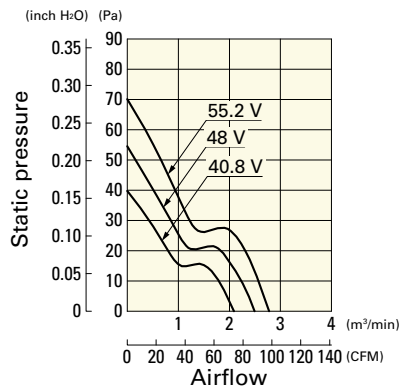
**9G1248H101** With pulse sensor

Operating voltage range



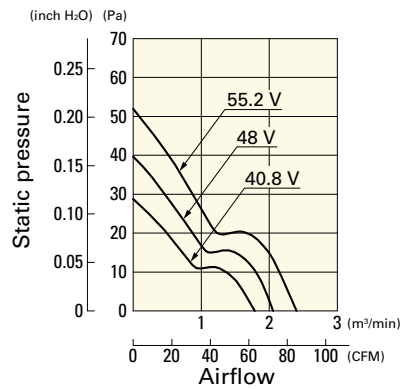
**9G1248F101** With pulse sensor

Operating voltage range

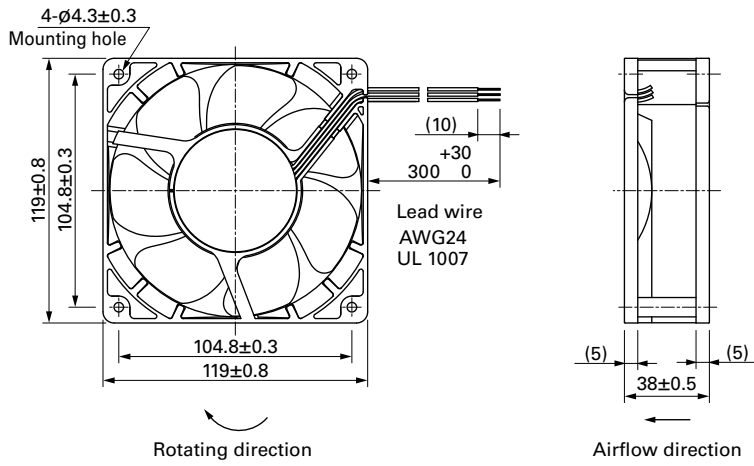


**9G1248M101** With pulse sensor

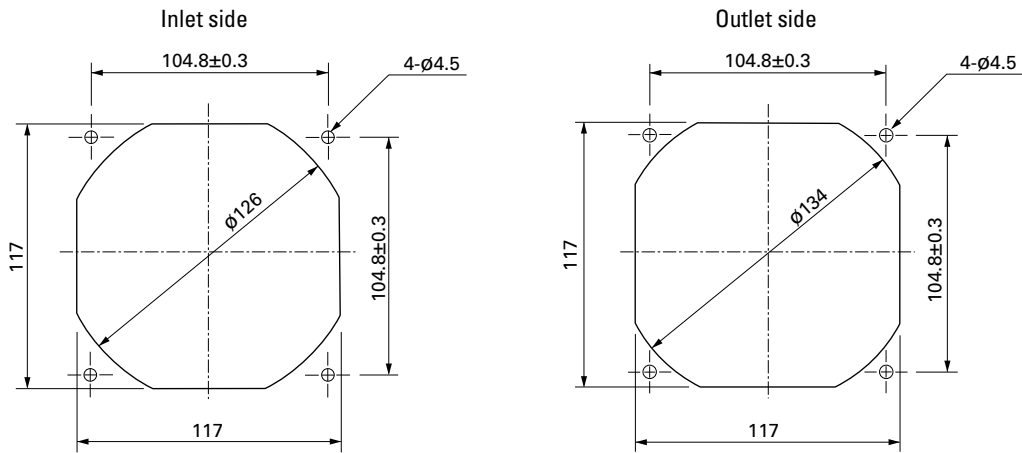
Operating voltage range



**Dimensions (unit: mm)** (With ribs)



**Reference Dimensions of Mounting Holes and Vent Opening (unit: mm)**



**Options**

**Finger guards**

page: p. 559

Model no.: 109-019E, 109-019K, 109-019C, 109-019H

**Resin finger guards**

page: p. 565

Model no.: 109-1000G

**Resin filter kits**



page: p. 566

Model no.: 109-1000F13 (13PPI), 109-1000F20 (20PPI),  
109-1000F30 (30PPI), 109-1000F40 (40PPI)



# 127×127×38 mm



San Ace 127 9E type   

## General Specifications

- Material ..... Frame: Aluminum, Impeller: Plastic (Flammability: UL 94V-0)
- Expected life ..... See the table below. (L10 life: 90% survival rate for continuous operation in free air at 60°C, rated voltage)  
Expected life at 40°C is for reference only.
- Motor protection function ..... Locked rotor burnout protection, Reverse polarity protection  
For details, please refer to p. 573.
- Dielectric strength ..... 50/60 Hz, 500 VAC, for 1 minute (between lead wire conductors and frame)
- Insulation resistance ..... 10 MΩ or more with a 500 VDC megger (between lead wire conductors and frame)
- Sound pressure level (SPL) ..... At 1 m away from the air inlet
- Storage temperature ..... -30 to +70°C (Non-condensing)
- Lead wire ..... ⊕Red ⊖Black or Blue  Sensor Yellow
- Mass ..... 400 g

## Specifications

The models listed below **have pulse sensors.**

Model no.	Rated voltage [V]	Operating voltage range [V]	Rated current [A]	Rated input [W]	Rated speed [min <sup>-1</sup> ]	Max. airflow [m <sup>3</sup> /min] [CFM]	Max. static pressure [Pa] [inchH <sub>2</sub> O]	SPL [dB (A)]	Operating temperature [°C]	Expected life [h]
<b>109E1312A101</b>	12	10.2 to 13.8	1.4	16.8	3850	4.81 170	155 0.622	52	-20 to +70	60000/60°C (90000/40°C)
<b>109E1312S101</b>			1.2	14.4	3450	4.37 154	125 0.502	49		
<b>109E1324G101</b>	24	20.4 to 27.6	1.1	26.4	4550	5.66 200	216 0.867	57	-20 to +60	40000/60°C (70000/40°C)
<b>109E1324A101</b>			0.7	16.8	3850	4.81 170	155 0.622	52		
<b>109E1324S101</b>			0.53	12.7	3450	4.37 154	125 0.502	49		
<b>109E1348G101</b>	48	40.8 to 55.2	0.54	25.9	4550	5.66 200	216 0.867	57	-20 to +60	40000/60°C (90000/40°C)
<b>109E1348A101</b>			0.36	17.3	3850	4.81 170	155 0.622	52		
<b>109E1348S101</b>			0.28	13.4	3450	4.37 154	125 0.502	49		

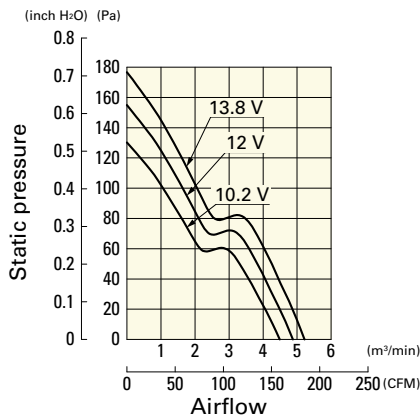
The following sensor and control options are available for selection.

Available for all models.  Without sensor  Lock sensor

## Airflow - Static Pressure Characteristics

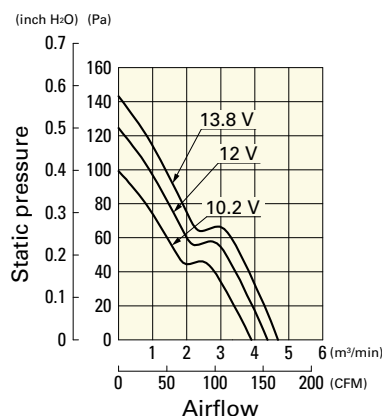
**109E1312A101** With pulse sensor

Operating voltage range



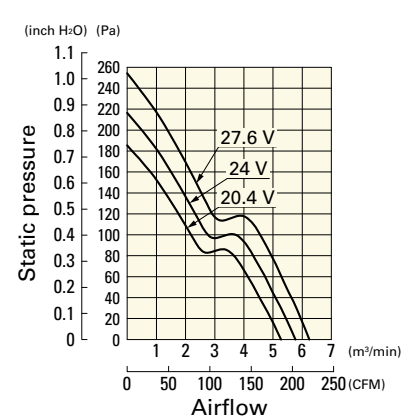
**109E1312S101** With pulse sensor

Operating voltage range



**109E1324G101** With pulse sensor

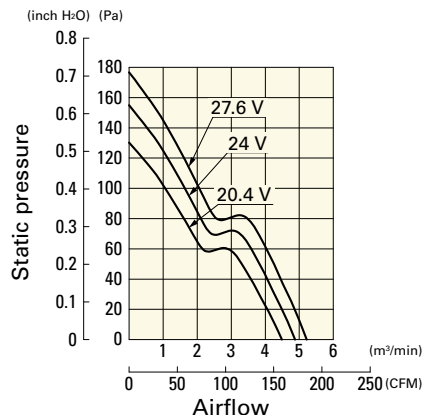
Operating voltage range



**Airflow - Static Pressure Characteristics**

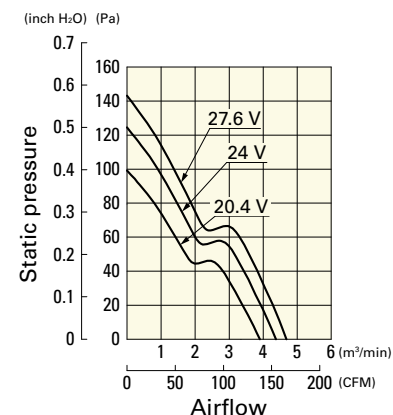
**109E1324A101** With pulse sensor

Operating voltage range



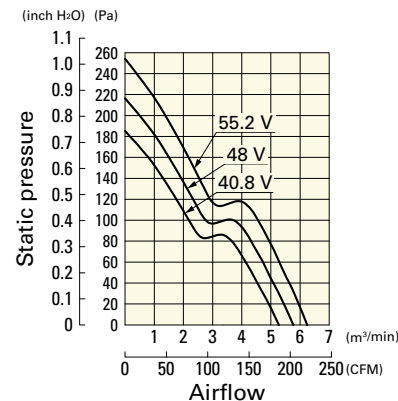
**109E1324S101** With pulse sensor

Operating voltage range



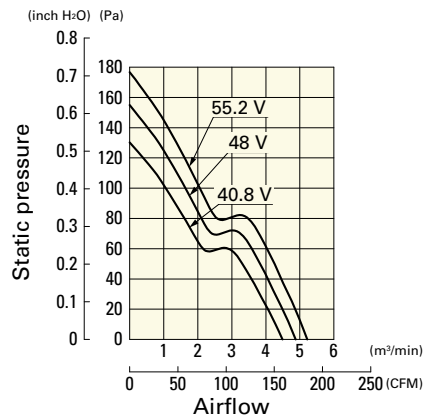
**109E1348G101** With pulse sensor

Operating voltage range



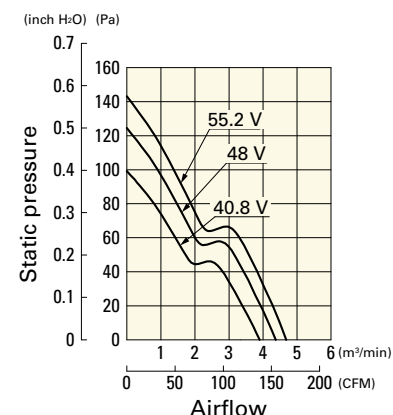
**109E1348A101** With pulse sensor

Operating voltage range

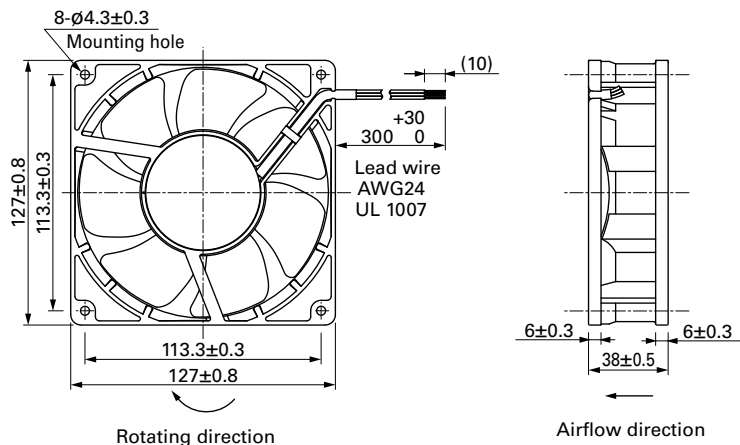


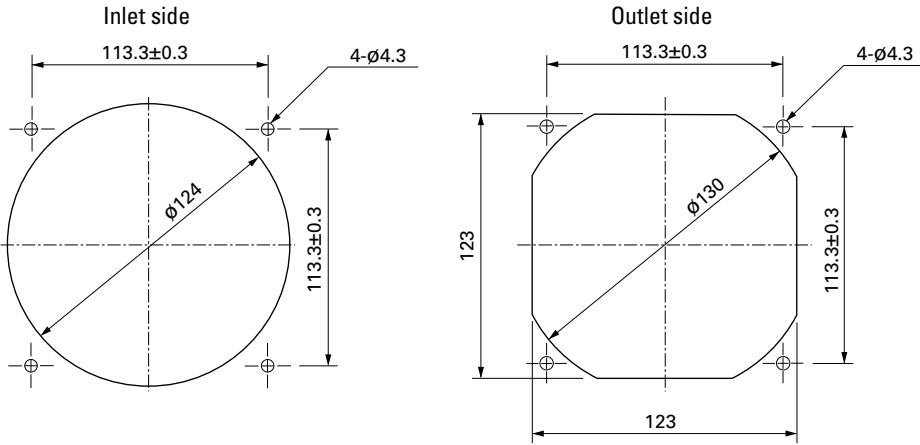
**109E1348S101** With pulse sensor

Operating voltage range



**Dimensions (unit: mm)**



**Reference Dimensions of Mounting Holes and Vent Opening (unit: mm)****Options**




Finger guards

page: p. 559

Model no.: 109-722, 109-722H, 109-723

DC Fan

# 127×127×38 mm

San Ace 127 9P type   



## General Specifications

- Material ..... Frame: Plastic (Flammability: UL 94V-0), Impeller: Plastic (Flammability: UL 94V-1)
- Expected life ..... See the table below. (L10 life: 90% survival rate for continuous operation in free air at 60°C, rated voltage)  
Expected life at 40°C is for reference only.
- Motor protection function ..... Locked rotor burnout protection, Reverse polarity protection  
For details, please refer to p. 573.
- Dielectric strength ..... 50/60 Hz, 500 VAC, for 1 minute (between lead wire conductors and frame)
- Insulation resistance ..... 10 MΩ or more with a 500 VDC megger (between lead wire conductors and frame)
- Sound pressure level (SPL) ..... At 1 m away from the air inlet
- Storage temperature ..... -30 to +70°C (Non-condensing)
- Lead wire ..... ⊕Red ⊖Black or Blue Sensor Yellow
- Mass ..... 350 g

## Specifications

The models listed below **have ribs and pulse sensors**. For models without ribs, append "1" to the end of model numbers.

Model no.	Rated voltage [V]	Operating voltage range [V]	Rated current [A]	Rated input [W]	Rated speed [min <sup>-1</sup> ]	Max. airflow [m <sup>3</sup> /min] [CFM]	Max. static pressure [Pa] [inchH <sub>2</sub> O]	SPL [dB (A)]	Operating temperature [°C]	Expected life [h]
<b>109P1312S101</b>	12	10.2 to 13.8	1.3	15.6	3300	4.2 148	117.6 0.472	47	-20 to +60	40000/60°C (70000/40°C)
<b>109P1312H101</b>			0.82	9.84	2950	3.8 134	98 0.394	45		
<b>109P1324S101</b>	24	20.4 to 27.6	0.55	13.2	3300	4.2 148	117.6 0.472	47		
<b>109P1324H101</b>			0.41	9.84	2950	3.8 134	98 0.394	45		
<b>109P1348S101</b>	48	40.8 to 55.2	0.3	14.4	3300	4.2 148	117.6 0.472	47		
<b>109P1348H101</b>			0.2	9.6	2950	3.8 134	98 0.394	45		

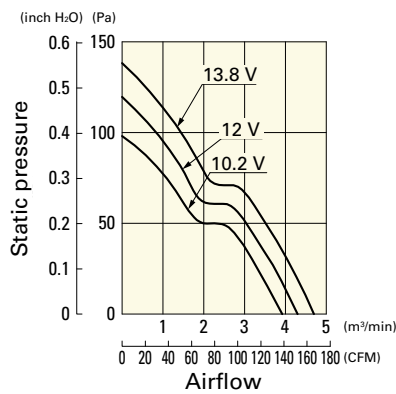
The following sensor and control options are available for selection.

Available for all models. Without sensor Lock sensor

## Airflow - Static Pressure Characteristics

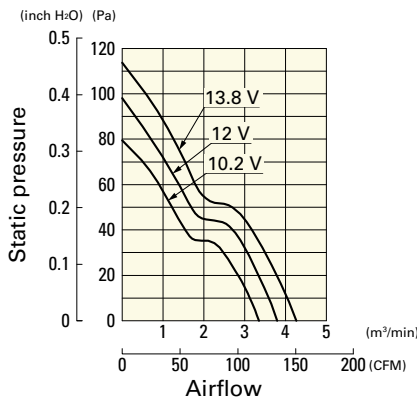
**109P1312S101** With pulse sensor

Operating voltage range



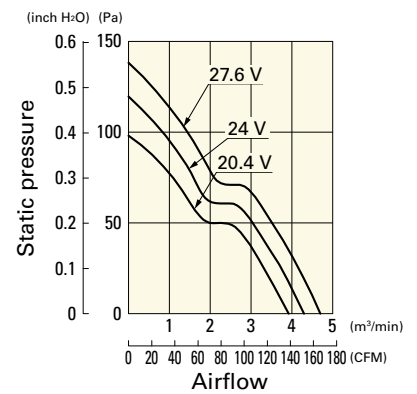
**109P1312H101** With pulse sensor

Operating voltage range



**109P1324S101** With pulse sensor

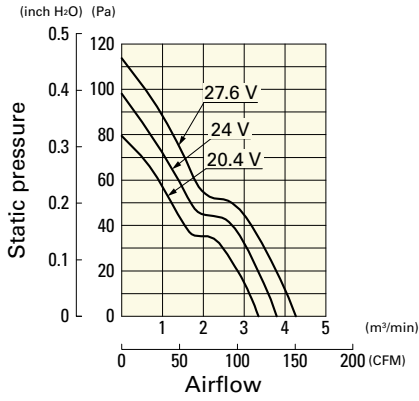
Operating voltage range



**Airflow - Static Pressure Characteristics**

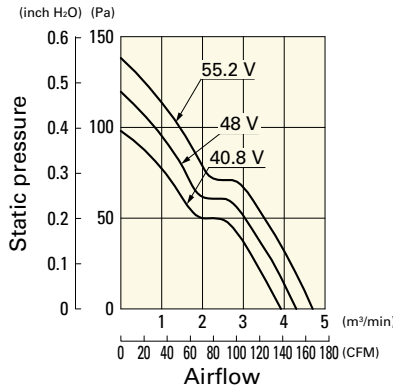
**109P1324H101** With pulse sensor

Operating voltage range



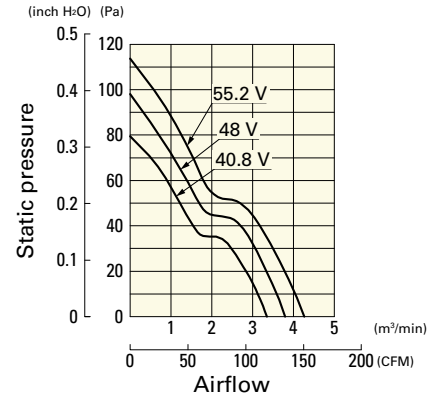
**109P1348S101** With pulse sensor

Operating voltage range

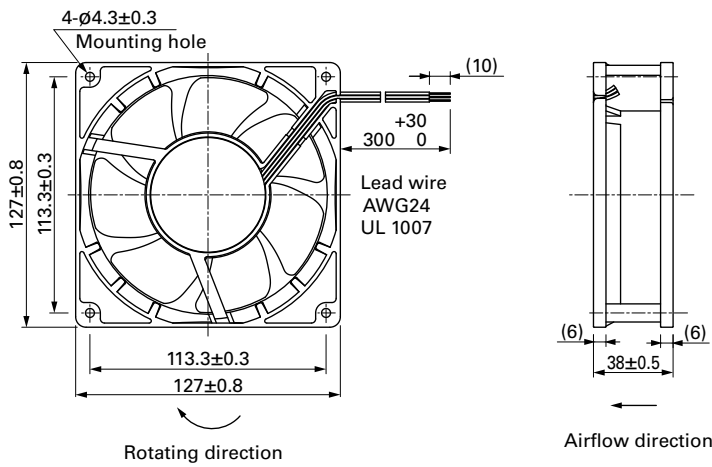


**109P1348H101** With pulse sensor

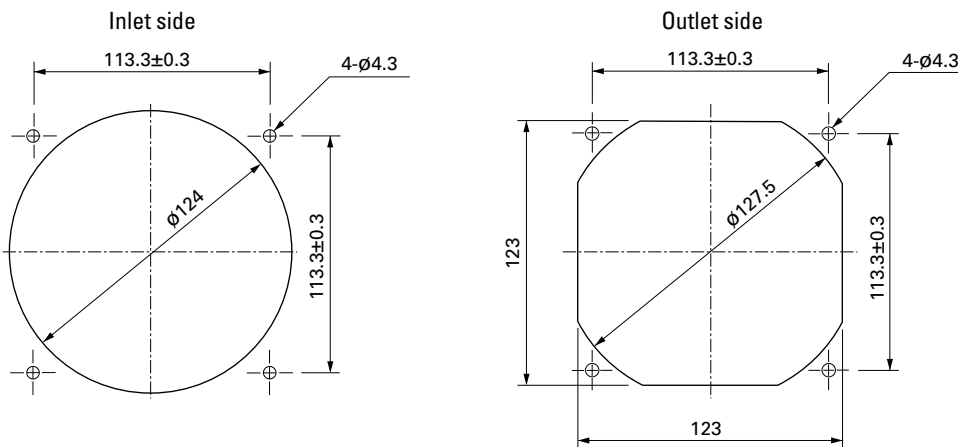
Operating voltage range



**Dimensions (unit: mm)** (With ribs)



**Reference Dimensions of Mounting Holes and Vent Opening (unit: mm)**



**Options**

Finger guards

page: p. 559

Model no.: 109-722, 109-722H, 109-723



# 140x140x38 mm

**San Ace 140 9GV** type

## General Specifications

- Material ..... Frame: Aluminum, Impeller: Plastic (Flammability: UL 94V-1)
- Expected life ..... See the table below. (L10 life: 90% survival rate for continuous operation in free air at 60°C, rated voltage)  
Expected life at 40°C is for reference only.
- Motor protection function ..... Locked rotor burnout protection, Reverse polarity protection  
For details, please refer to p. 573.
- Dielectric strength ..... 50/60 Hz, 500 VAC, for 1 minute (between lead wire conductors and frame)
- Insulation resistance ..... 10 MΩ or more with a 500 VDC megger (between lead wire conductors and frame)
- Sound pressure level (SPL) ..... At 1 m away from the air inlet
- Storage temperature ..... -30 to +70°C (Non-condensing)
- Lead wire ..... ⊕Red ⊖Black  Sensor  Yellow  Control  Brown
- Mass ..... 630 g

## Specifications

The models listed below **have pulse sensors with PWM control function.**

Model no.	Rated voltage [V]	Operating voltage range [V]	PWM duty cycle* [%]	Rated current [A]	Rated input [W]	Rated speed [min <sup>-1</sup> ]	Max. airflow [m <sup>3</sup> /min] [CFM]	Max. static pressure [Pa] [inchH <sub>2</sub> O]	SPL [dB (A)]	Operating temperature [°C]	Expected life [h]	
» 9GV1412P1G001	12	10.8 to 13.2	100	4.6	55.2	7600	8.8 310	640 2.57	70	-20 to +70	40000/60°C (70000/40°C)	
			20	0.26	3.12	2300	2.66 93	80 0.32	39			
» 9GV1412P1S001			100	3.1	37.2	6650	7.7 272	480 1.93	67			
			20	0.26	3.12	2300	2.66 93	80 0.32	39			
» 9GV1412P1H001			100	1.7	20.4	5200	6.0 212	300 1.2	62			
			20	0.26	3.12	2300	2.66 93	80 0.32	39			
» 9GV1424P1G001		24	21.6 to 26.4	100	2.3	55.2	7600	8.8 310	640 2.57			70
				20	0.13	3.12	2300	2.66 93	80 0.32			39
» 9GV1424P1S001				100	1.55	37.2	6650	7.7 272	480 1.93			67
				20	0.13	3.12	2300	2.66 93	80 0.32			39
» 9GV1424P1H001				100	0.85	20.4	5200	6.0 212	300 1.2			62
				20	0.13	3.12	2300	2.66 93	80 0.32			39
» 9GV1448P1G001	48	36 to 60	100	1.15	55.2	7600	8.8 310	640 2.57	70			
			20	0.11	5.28	2300	2.66 93	80 0.32	39			
» 9GV1448P1S001			100	0.78	37.44	6650	7.7 272	480 1.93	67			
			20	0.11	5.28	2300	2.66 93	80 0.32	39			
» 9GV1448P1H001			100	0.42	20.16	5200	6.0 212	300 1.2	62			
			20	0.11	5.28	2300	2.66 93	80 0.32	39			

\* PWM input frequency is 25 kHz; models without specifications at 0% PWM duty cycle have zero fan speed at 0%.

The following sensor and control options are available for selection.

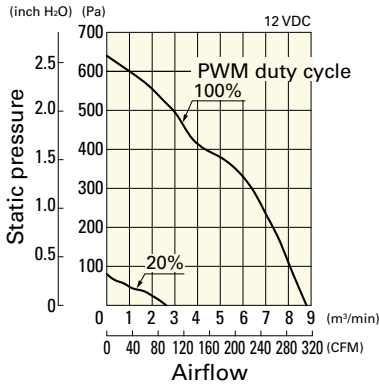
Differs according to the model. Refer to the table on p. 607.  Without sensor  Lock sensor

The » mark indicates Short LeadTime Service applicable models. See p. 626 for details.

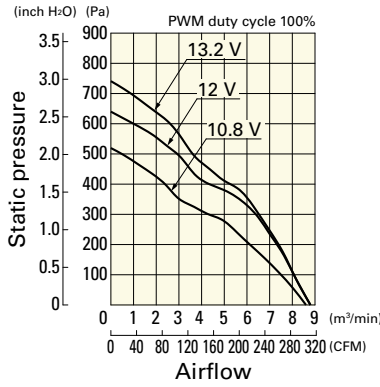
**Airflow - Static Pressure Characteristics / PWM Duty - Speed Characteristics Example**

**9GV1412P1G001** With pulse sensor with PWM control function

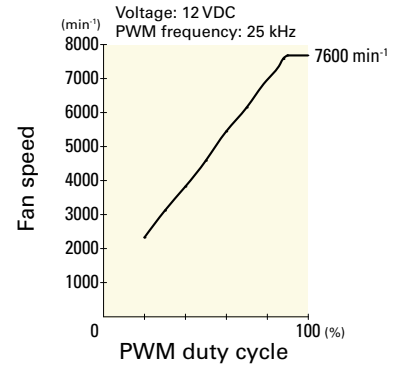
PWM duty cycle



Operating voltage range

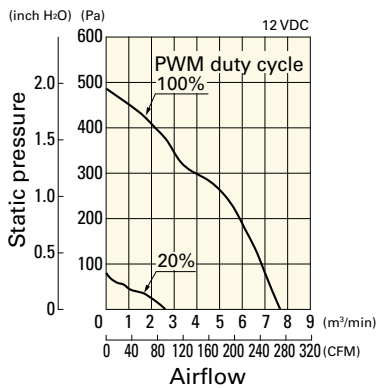


PWM duty - Speed characteristics example

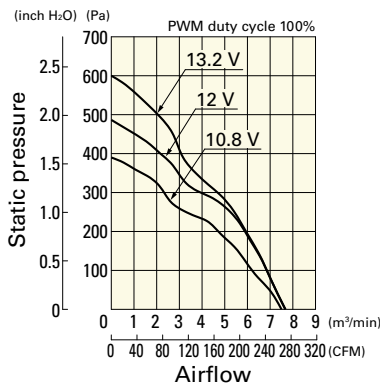


**9GV1412P1S001** With pulse sensor with PWM control function

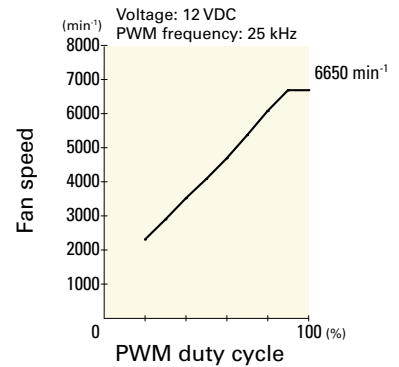
PWM duty cycle



Operating voltage range

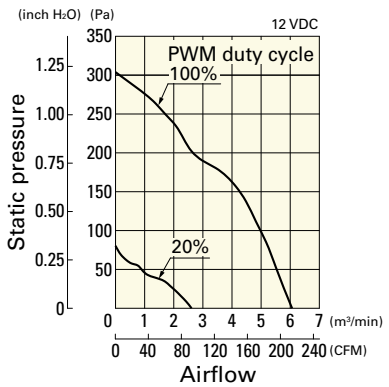


PWM duty - Speed characteristics example

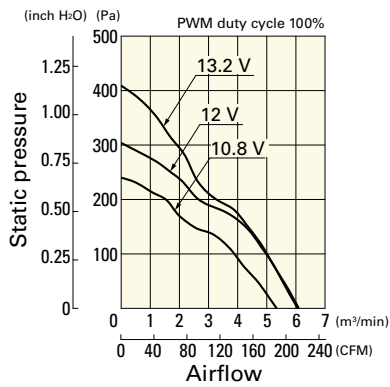


**9GV1412P1H001** With pulse sensor with PWM control function

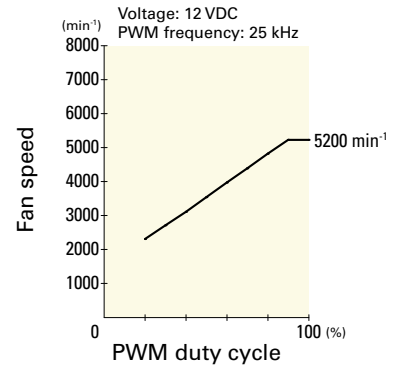
PWM duty cycle



Operating voltage range

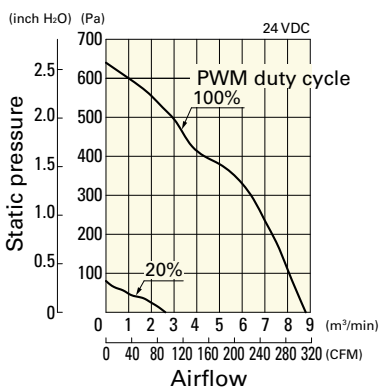


PWM duty - Speed characteristics example

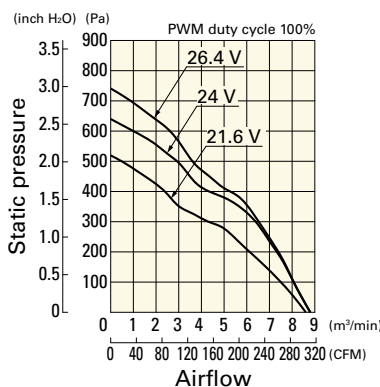


**9GV1424P1G001** With pulse sensor with PWM control function

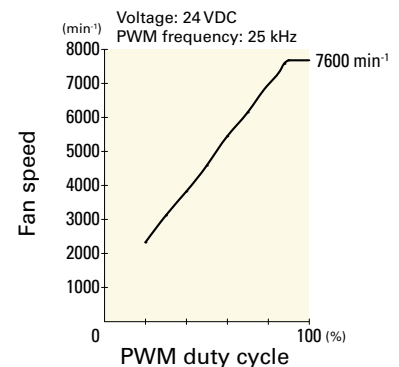
PWM duty cycle



Operating voltage range



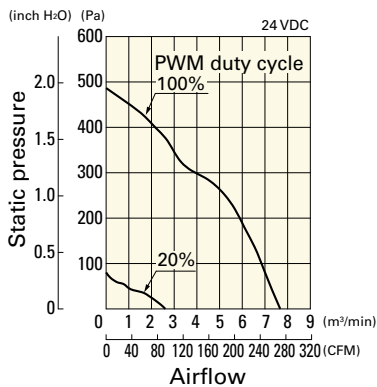
PWM duty - Speed characteristics example



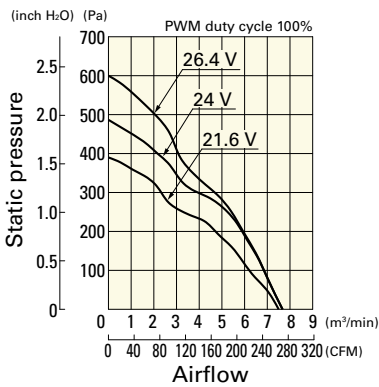
**Airflow - Static Pressure Characteristics / PWM Duty - Speed Characteristics Example**

**9GV1424P1S001** With pulse sensor with PWM control function

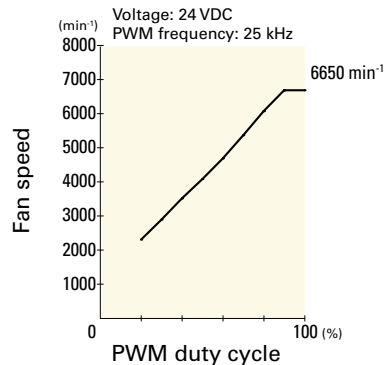
PWM duty cycle



Operating voltage range

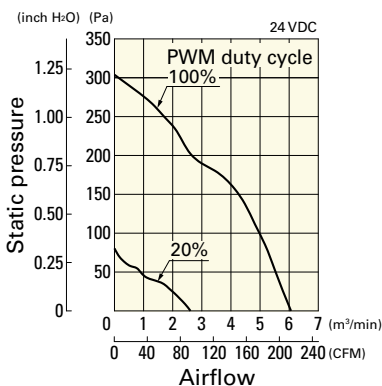


PWM duty - Speed characteristics example

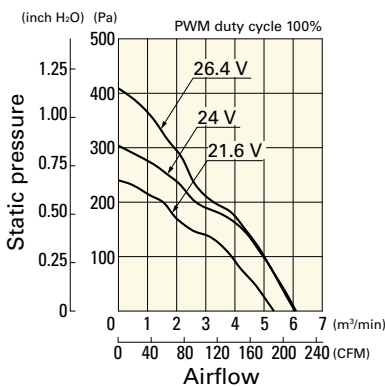


**9GV1424P1H001** With pulse sensor with PWM control function

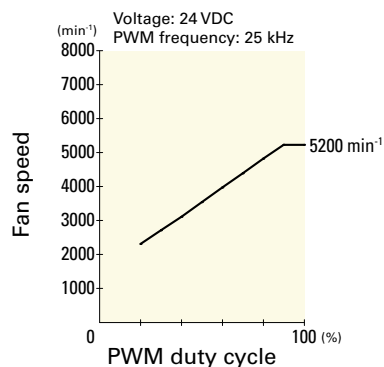
PWM duty cycle



Operating voltage range

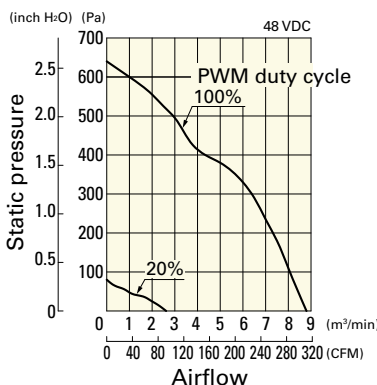


PWM duty - Speed characteristics example

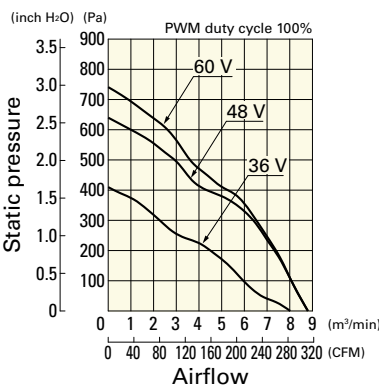


**9GV1448P1G001** With pulse sensor with PWM control function

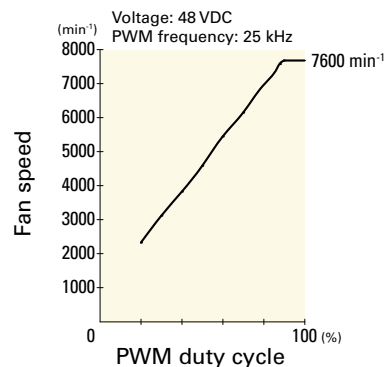
PWM duty cycle



Operating voltage range

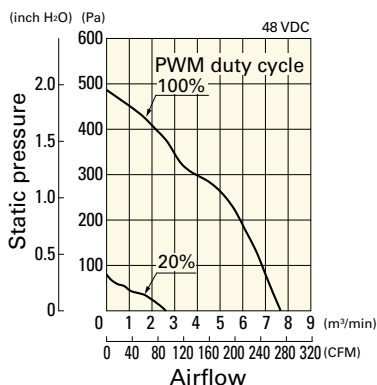


PWM duty - Speed characteristics example

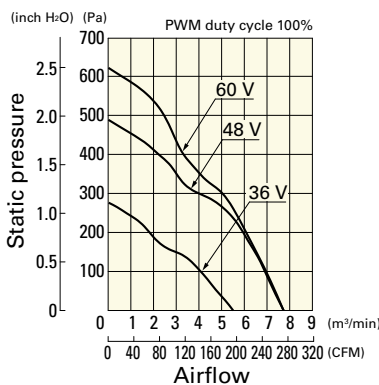


**9GV1448P1S001** With pulse sensor with PWM control function

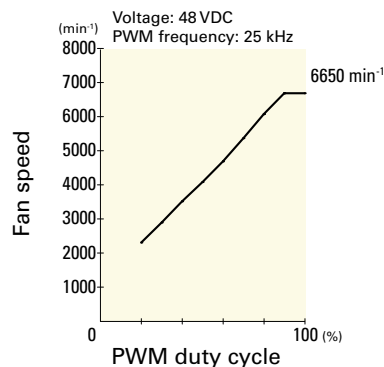
PWM duty cycle



Operating voltage range



PWM duty - Speed characteristics example

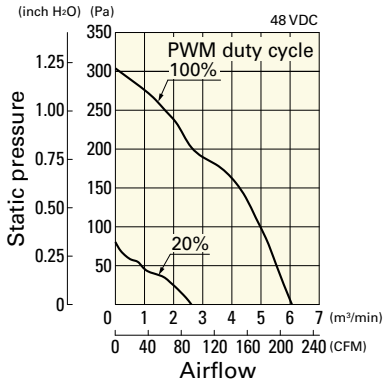




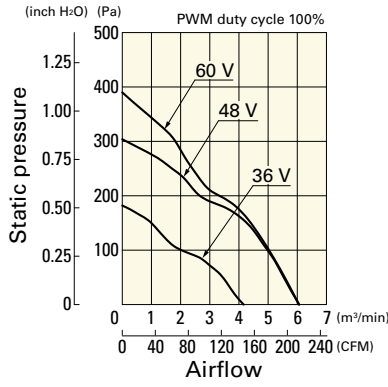
**Airflow - Static Pressure Characteristics / PWM Duty - Speed Characteristics Example**

**9GV1448P1H001** With pulse sensor with PWM control function

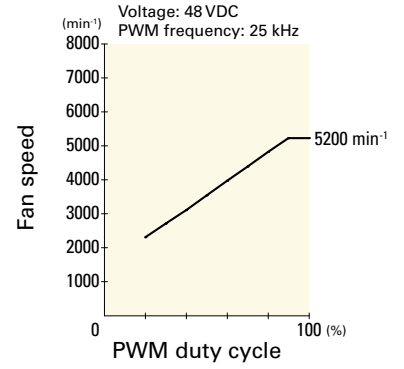
PWM duty cycle



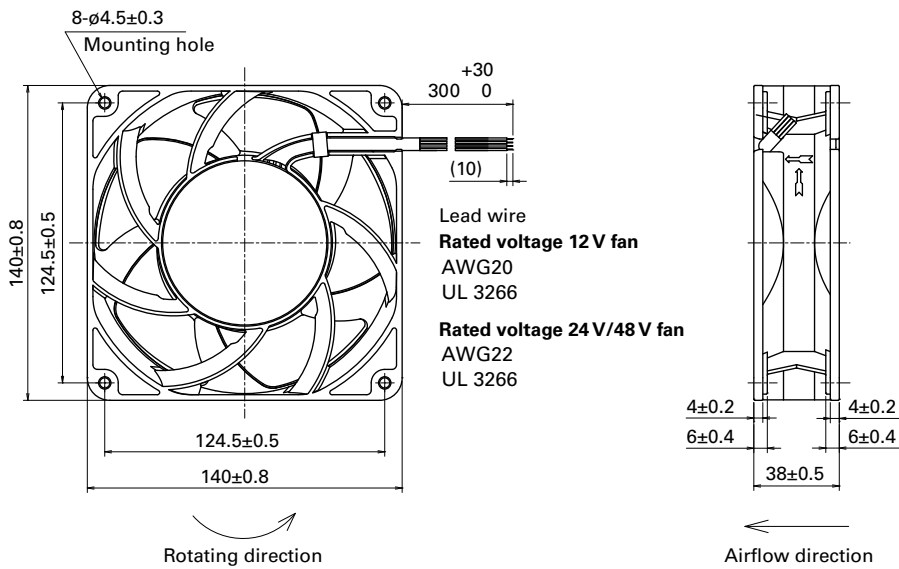
Operating voltage range



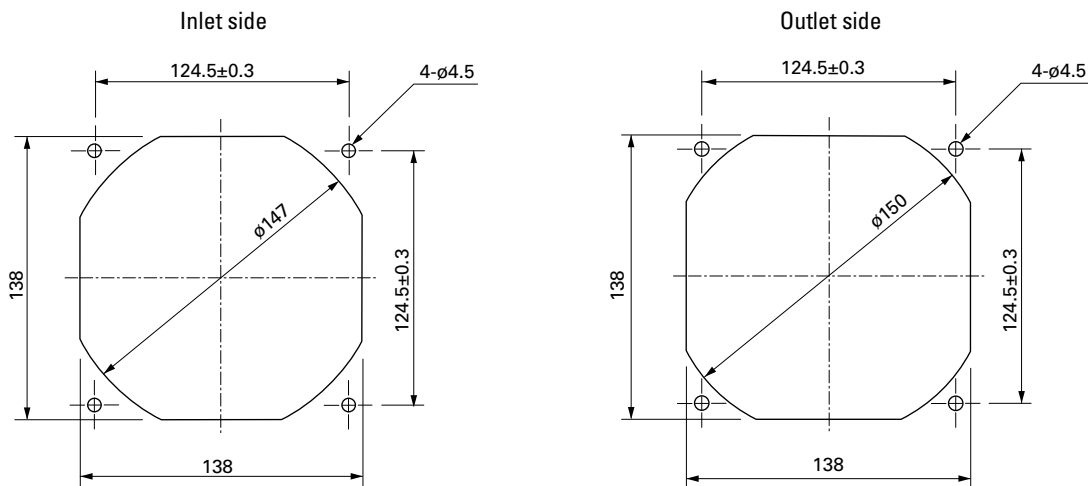
PWM duty - Speed characteristics example



**Dimensions (unit: mm)**



**Reference Dimensions of Mounting Holes and Vent Opening (unit: mm)**



**Options**

Finger guards

page: p. 559

Model no.: 109-719, 109-719H

DC Fan

# 140×140×38 mm



## San Ace 140 9P type

### General Specifications

- Material ..... Frame: Plastic (Flammability: UL 94V-0), Impeller: Plastic (Flammability: UL 94V-1)
- Expected life ..... See the table below. (L10 life: 90% survival rate for continuous operation in free air at 60°C, rated voltage)  
Expected life at 40°C is for reference only.
- Motor protection function ..... Locked rotor burnout protection, Reverse polarity protection  
For details, please refer to p. 573.
- Dielectric strength ..... 50/60 Hz, 500 VAC, for 1 minute (between lead wire conductors and frame)
- Insulation resistance ..... 10 MΩ or more with a 500 VDC megger (between lead wire conductors and frame)
- Sound pressure level (SPL) ..... At 1 m away from the air inlet
- Storage temperature ..... -30 to +70°C (Non-condensing)
- Lead wire ..... ⊕Red ⊖Black or Blue Sensor Yellow
- Mass ..... 450 g

### Specifications

The models listed below **have ribs and pulse sensors.**

Model no.	Rated voltage [V]	Operating voltage range [V]	Rated current [A]	Rated input [W]	Rated speed [min <sup>-1</sup> ]	Max. airflow [m <sup>3</sup> /min] [CFM]	Max. static pressure [Pa] [inchH <sub>2</sub> O]	SPL [dB (A)]	Operating temperature [°C]	Expected life [h]
<b>109P1412H101</b>	12	10.2 to 13.8	0.73	8.76	2600	4.5 159	94 0.378	46	-20 to +70	40000/60°C (70000/40°C)
<b>109P1412M101</b>			0.33	3.96	1900	3.3 117	52 0.209	38		
<b>109P1424H101</b>	24	20.4 to 27.6	0.37	8.88	2600	4.5 159	94 0.378	46		
<b>109P1424M101</b>			0.16	3.84	1900	3.3 117	52 0.209	38		
<b>109P1448H101</b>	48	40.8 to 55.2	0.2	9.6	2600	4.5 159	94 0.378	46		
<b>109P1448M101</b>			0.09	4.32	1900	3.3 117	52 0.209	38		

The following sensor and control options are available for selection.

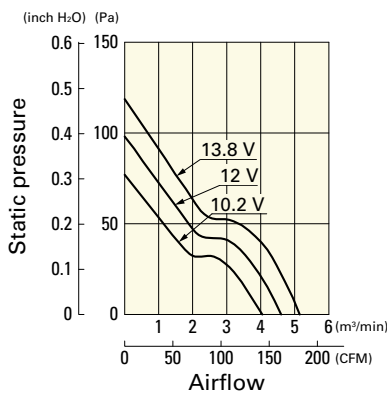
Available for all models. Without sensor

Differs according to the model. Refer to the table on p. 596. Lock sensor

### Airflow - Static Pressure Characteristics

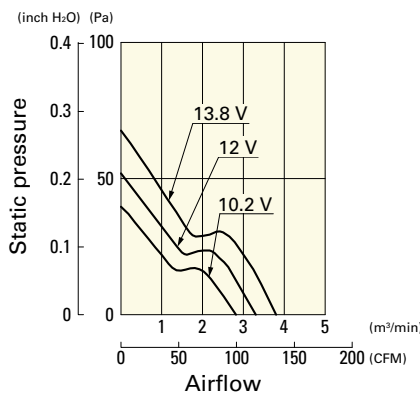
**109P1412H101** With pulse sensor

Operating voltage range



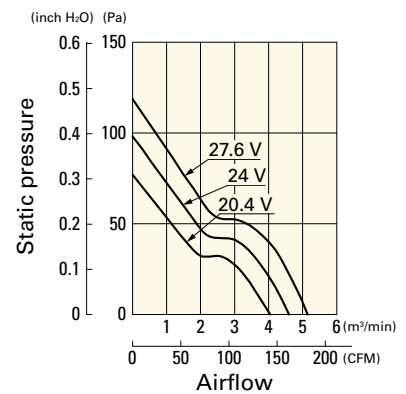
**109P1412M101** With pulse sensor

Operating voltage range



**109P1424H101** With pulse sensor

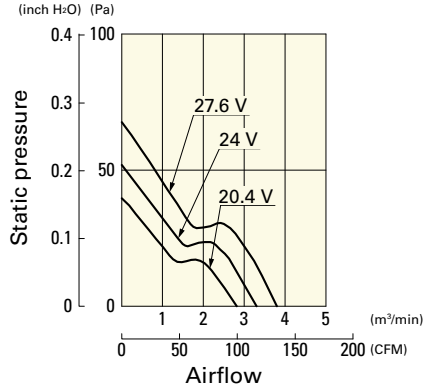
Operating voltage range



**Airflow - Static Pressure Characteristics**

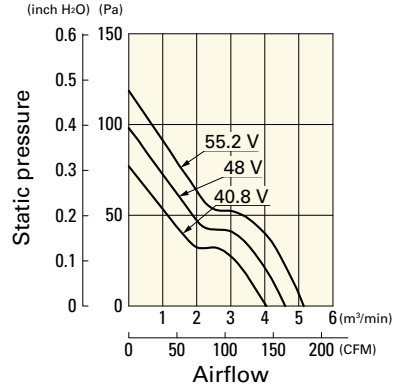
**109P1424M101** With pulse sensor

Operating voltage range



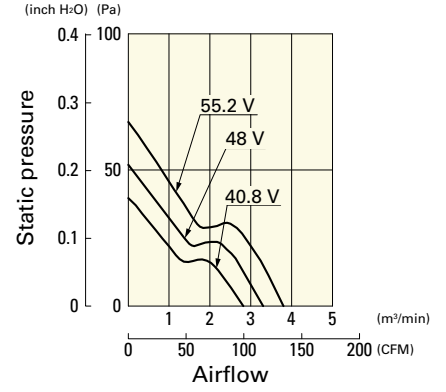
**109P1448H101** With pulse sensor

Operating voltage range

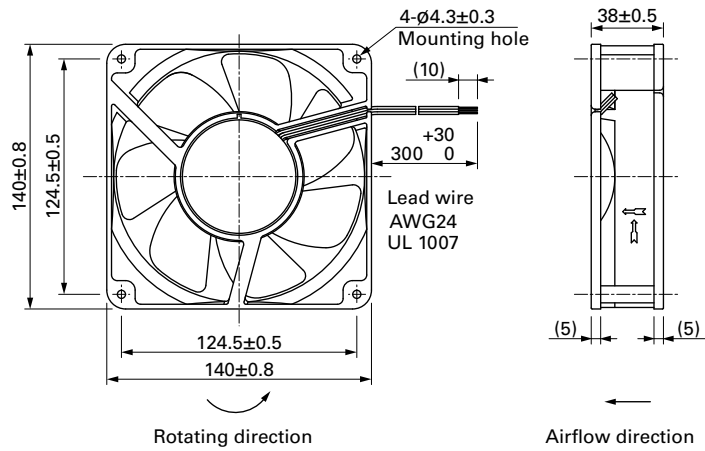


**109P1448M101** With pulse sensor

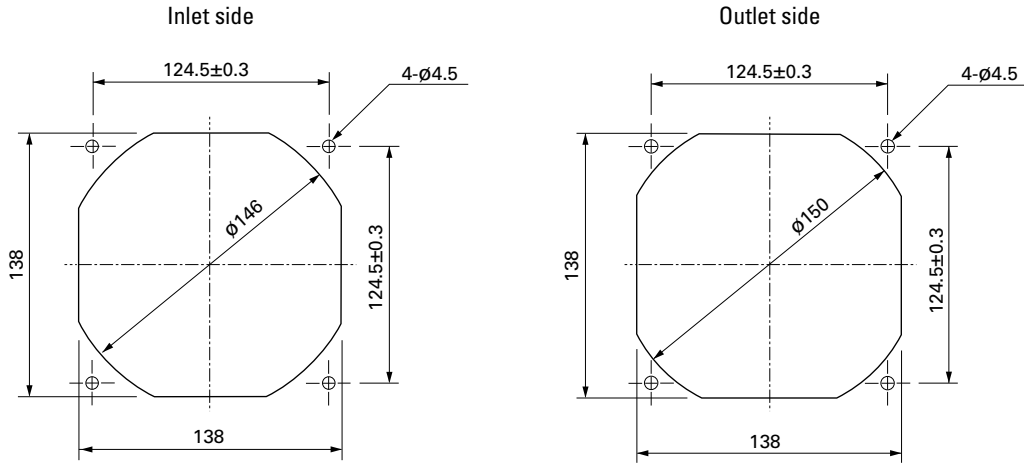
Operating voltage range



**Dimensions (unit: mm)**



**Reference Dimensions of Mounting Holes and Vent Opening (unit: mm)**



**Options**

Finger guards page: p. 559

Model no.: 109-719, 109-719H

DC Fan



# 150×150×50 mm

San Ace 150 9GV type

## General Specifications

- Material ..... Frame: Plastic (Flammability: UL 94V-0), Impeller: Plastic (Flammability: UL 94V-1)
- Expected life ..... See the table below. (L10 life: 90% survival rate for continuous operation in free air at 60°C, rated voltage)  
Expected life at 40°C is for reference only.
- Motor protection function ..... Locked rotor burnout protection, Reverse polarity protection  
For details, please refer to p. 573.
- Dielectric strength ..... 50/60 Hz, 500 VAC, for 1 minute (between lead wire conductors and frame)
- Insulation resistance ..... 10 MΩ or more with a 500 VDC megger (between lead wire conductors and frame)
- Sound pressure level (SPL) ..... At 1 m away from the air inlet
- Storage temperature ..... -30 to +70°C (Non-condensing)
- Lead wire ..... ⊕Red ⊖Black or Blue Sensor Yellow
- Mass ..... 450 g

## Specifications

The models listed below **have ribs and pulse sensors**. For models without ribs, append "1" to the end of model numbers.

Model no.	Rated voltage [V]	Operating voltage range [V]	Rated current [A]	Rated input [W]	Rated speed [min <sup>-1</sup> ]	Max. airflow [m <sup>3</sup> /min] [CFM]	Max. static pressure [Pa] [inchH <sub>2</sub> O]	SPL [dB (A)]	Operating temperature [°C]	Expected life [h]
<b>9GV1512H501</b>	12	10.2 to 13.8	2.9	34.8	3900	8.54 300	210 0.84	61	-20 to +70	40000/60°C (70000/40°C)
<b>9GV1512M501</b>			1.2	14.4	3000	6.35 224	132 0.53	53		
<b>9GV1524M501</b>	24	20.4 to 27.6	0.6	14.4	3000	6.35 224	132 0.53	53		

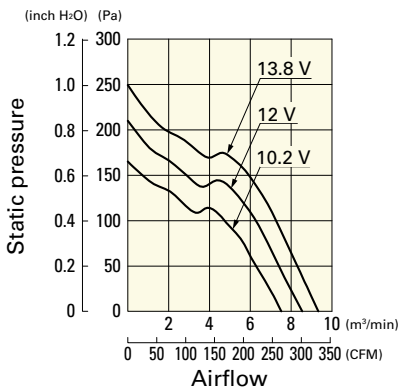
The following sensor and control options are available for selection.

Differs according to the model. Refer to the table on p. 607. Without sensor Lock sensor PWM control

## Airflow - Static Pressure Characteristics

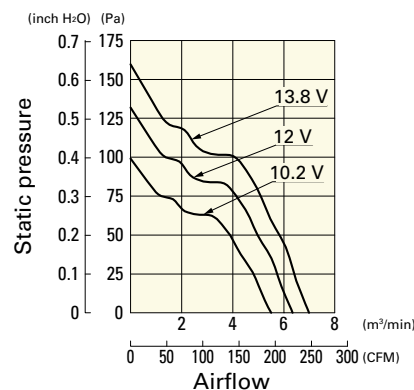
**9GV1512H501** With pulse sensor

Operating voltage range



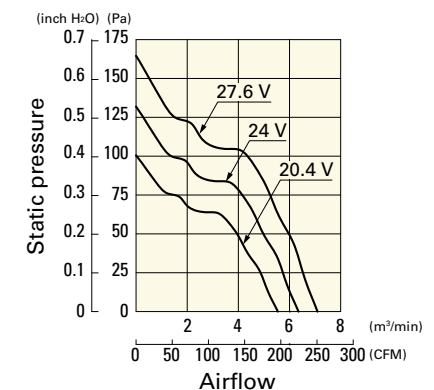
**9GV1512M501** With pulse sensor

Operating voltage range

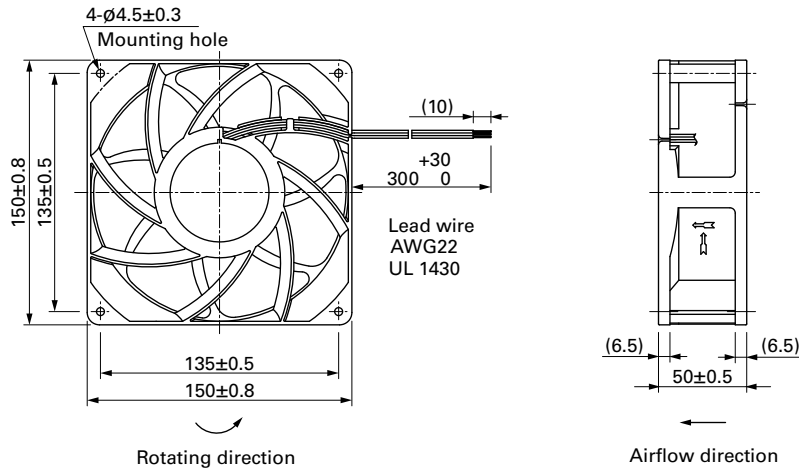


**9GV1524M501** With pulse sensor

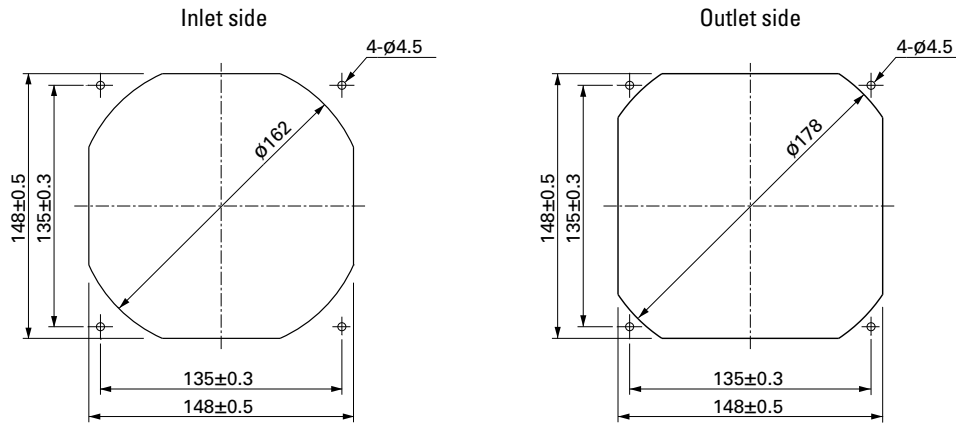
Operating voltage range



**Dimensions (unit: mm)** (With ribs)



**Reference Dimensions of Mounting Holes and Vent Opening (unit: mm)**



**Options**

Finger guards

page: p. 559

Model no.: 109-1051, 109-1052

DC Fan

# Ø 172x147x25 mm



**San Ace 172 9E** type

Sidecut type

## General Specifications

- Material ..... Frame: Aluminum, Impeller: Plastic (Flammability: UL 94V-1)
- Expected life ..... See the table below. (L10 life: 90% survival rate for continuous operation in free air at 60°C, rated voltage)  
Expected life at 40°C is for reference only.
- Motor protection function ..... Locked rotor burnout protection, Reverse polarity protection  
For details, please refer to p. 573.
- Dielectric strength ..... 50/60 Hz, 500 VAC, for 1 minute (between lead wire conductors and frame)
- Insulation resistance ..... 10 MΩ or more with a 500 VDC megger (between lead wire conductors and frame)
- Sound pressure level (SPL) ..... At 1 m away from the air inlet
- Storage temperature ..... -30 to +70°C (Non-condensing)
- Lead wire ..... ⊕Red ⊖Black or Blue Sensor Yellow
- Mass ..... 500 g

## Specifications

The models listed below **have pulse sensors.**

Model no.	Rated voltage [V]	Operating voltage range [V]	Rated current [A]	Rated input [W]	Rated speed [min <sup>-1</sup> ]	Max. airflow [m <sup>3</sup> /min] [CFM]	Max. static pressure [Pa] [inchH <sub>2</sub> O]	SPL [dB (A)]	Operating temperature [°C]	Expected life [h]
<b>109E4712M401</b>	12	10.2 to 13.8	1.3	15.6	2800	5.2 183	92 0.369	51	-20 to +60	40000/60°C (70000/40°C)
<b>109E4712L401</b>			1.0	12.0	2500	4.6 162	73 0.293	48		
<b>109E4724H401</b>	24	20.4 to 27.6	1.0	24.0	3400	6.4 226	135 0.542	57		
<b>109E4724F401</b>			0.79	19.0	3100	5.8 204	112 0.45	54		
<b>109E4724M401</b>			0.58	13.9	2800	5.2 183	92 0.369	51		
<b>109E4724L401</b>			0.44	10.6	2500	4.6 162	73 0.293	48		
<b>109E4748S401</b>	48	40.8 to 55.2	0.62	29.8	3650	6.8 240	156 0.627	58		
<b>109E4748H401</b>			0.52	25.0	3400	6.4 226	135 0.542	57		
<b>109E4748F401</b>			0.4	19.2	3100	5.8 204	112 0.45	54		
<b>109E4748M401</b>			0.32	15.4	2800	5.2 183	92 0.369	51		
<b>109E4748L401</b>			0.25	12.0	2500	4.6 162	73 0.293	48		

The following sensor and control options are available for selection.

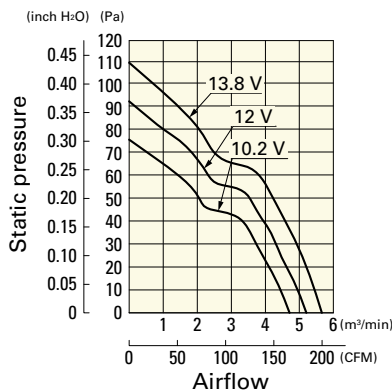
Available for all models. Without sensor Lock sensor

Differs according to the model. Refer to the table on p. 594. PWM control

## Airflow - Static Pressure Characteristics

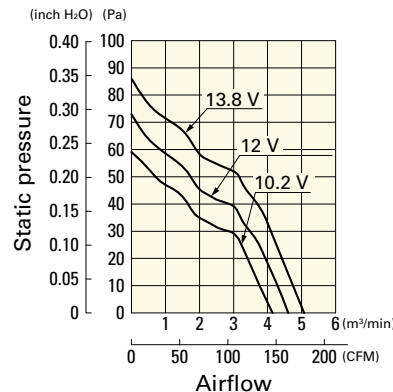
**109E4712M401** With pulse sensor

Operating voltage range



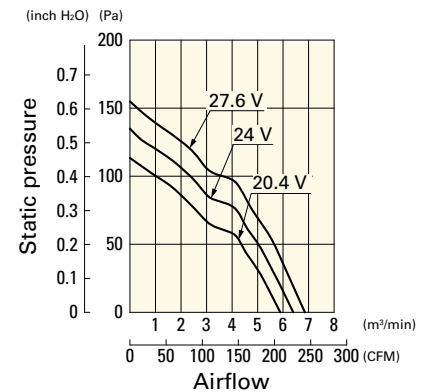
**109E4712L401** With pulse sensor

Operating voltage range



**109E4724H401** With pulse sensor

Operating voltage range

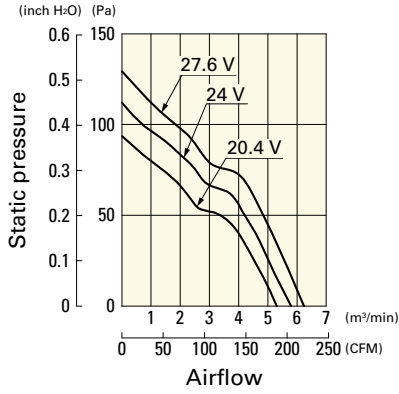


# Airflow - Static Pressure Characteristics

DC Fan ø172 mm

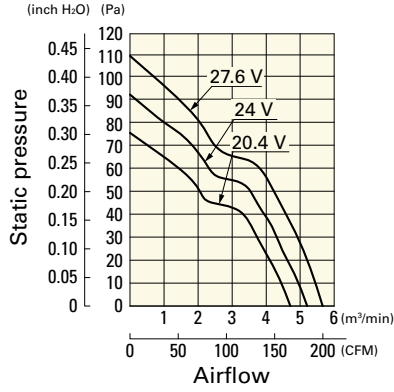
**109E4724F401** With pulse sensor

Operating voltage range



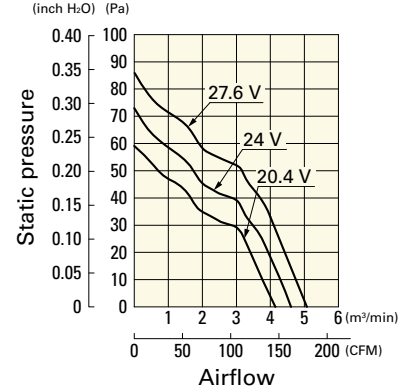
**109E4724M401** With pulse sensor

Operating voltage range



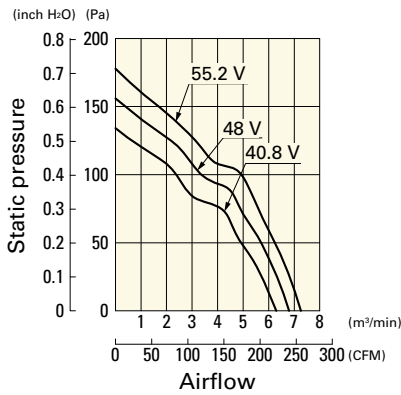
**109E4724L401** With pulse sensor

Operating voltage range



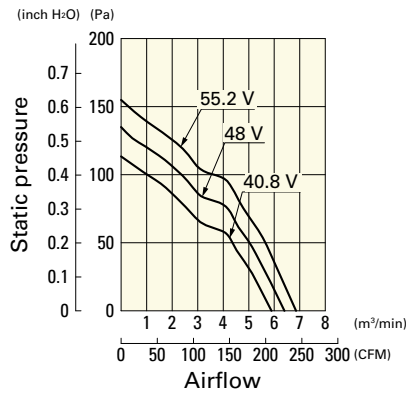
**109E4748S401** With pulse sensor

Operating voltage range



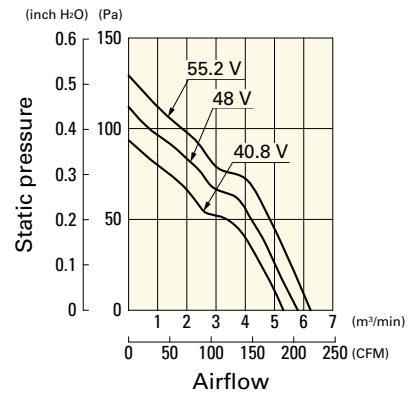
**109E4748H401** With pulse sensor

Operating voltage range



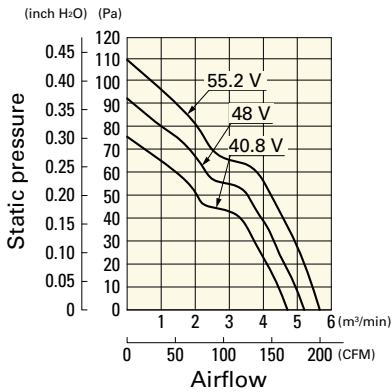
**109E4748F401** With pulse sensor

Operating voltage range



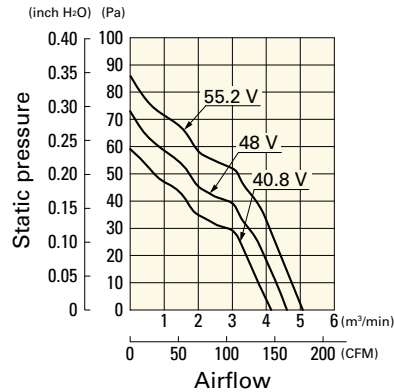
**109E4748M401** With pulse sensor

Operating voltage range

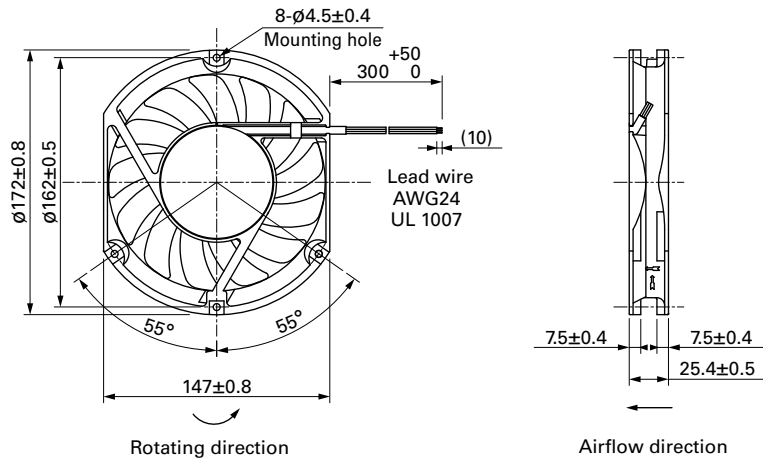


**109E4748L401** With pulse sensor

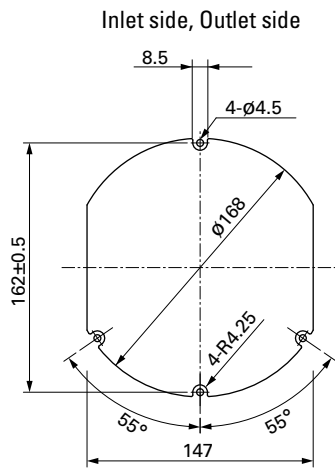
Operating voltage range



**Dimensions (unit: mm)**



**Reference Dimensions of Mounting Holes and Vent Opening (unit: mm)**



**Options**

Finger guards

page: p. 560

Model no.: 109-319E, 109-319H, 109-320





# ∅172x150x51 mm

San Ace 172 9HV type US

Sidecut type

## General Specifications

- Material ..... Frame: Aluminum, Impeller: Plastic (Flammability: UL 94V-1)
- Expected life ..... See the table below. (L10 life: 90% survival rate for continuous operation in free air at 60°C, rated voltage)  
Expected life at 40°C is for reference only.
- Motor protection function ..... Locked rotor burnout protection, Reverse polarity protection  
For details, please refer to p. 573.
- Dielectric strength ..... 50/60 Hz, 500 VAC, for 1 minute (between lead wire conductors and frame)
- Insulation resistance ..... 10 MΩ or more with a 500 VDC megger (between lead wire conductors and frame)
- Sound pressure level (SPL) ..... At 1 m away from the air inlet
- Storage temperature ..... -30 to +70°C (Non-condensing)
- Lead wire ..... ⊕Red ⊖Black  Sensor  Yellow  Control  Brown
- Mass ..... 800 g

## Specifications

The models listed below **have pulse sensors with PWM control function.**

Model no.	Rated voltage [V]	Operating voltage range [V]	PWM duty cycle [%]	Rated current [A]	Rated input [W]	Rated speed [min <sup>-1</sup> ]	Max. airflow [m <sup>3</sup> /min] [CFM]	Max. static pressure [Pa] [inchH <sub>2</sub> O]	SPL [dB (A)]	Operating temperature [°C]	Expected life [h]
▶▶ 9HV5724P5H001	24	16 to 30	100	5.0	120	8000	12.3 434	1000 4.02	77	-20 to +70	40000/60°C (70000/40°C)
			20	0.5	12.0	3000	4.6 162	175 0.7	51		
▶▶ 9HV5748P5G001	48	36 to 72	100	5.0	240	10500	16.1 568	1600 6.43	83		
			20	0.41	19.7	3700	5.6 198	250 1.01	57		

\* PWM input frequency is 25 kHz; models without specifications at 0% PWM duty cycle have zero fan speed at 0%.

The following sensor and control options are available for selection.

Differs according to the model. Refer to the table on p. 607.  Without sensor  Pulse sensor  Lock sensor

The ▶▶ mark indicates Short LeadTime Service applicable models. See p. 626 for details.

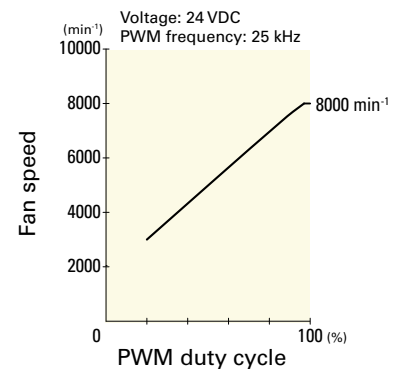
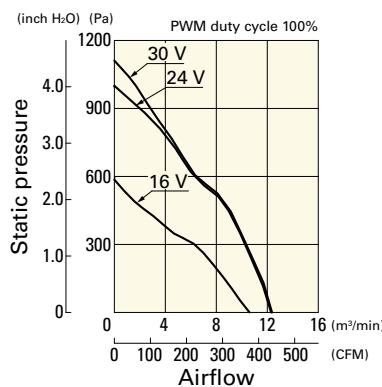
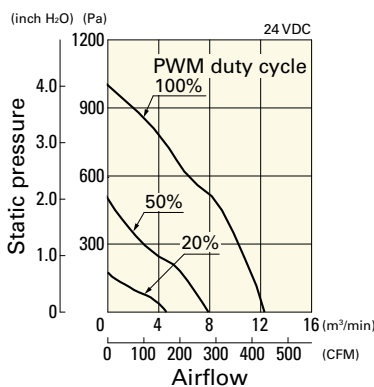
## Airflow - Static Pressure Characteristics / PWM Duty - Speed Characteristics Example

**9HV5724P5H001** With pulse sensor with PWM control function

PWM duty cycle

Operating voltage range

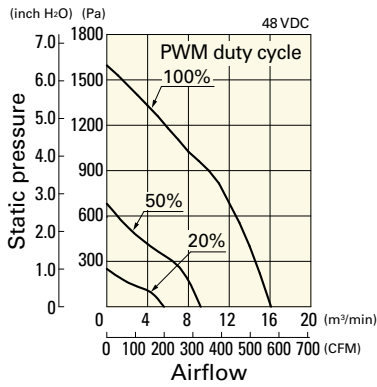
PWM duty - Speed characteristics example



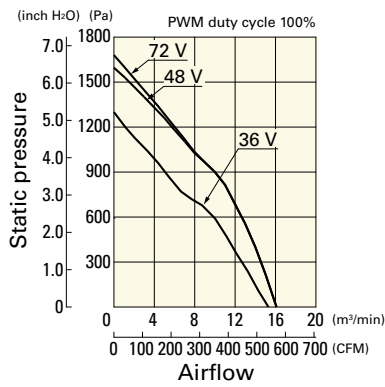
**Airflow - Static Pressure Characteristics / PWM Duty - Speed Characteristics Example**

**9HV5748P5G001** With pulse sensor with PWM control function

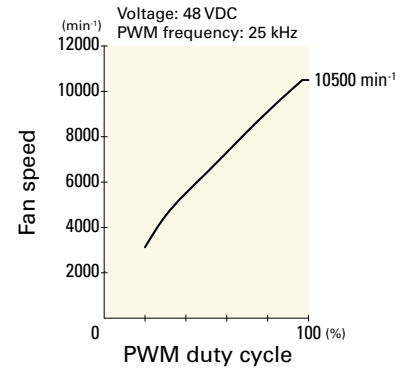
PWM duty cycle



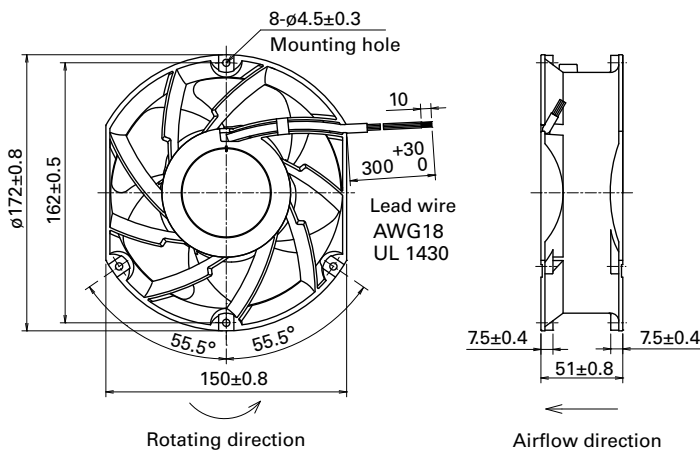
Operating voltage range



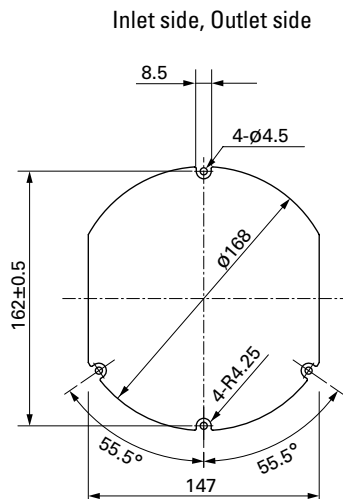
PWM duty - Speed characteristics example



**Dimensions (unit: mm)**



**Reference Dimensions of Mounting Holes and Vent Opening (unit: mm)**



**Options**

Finger guards

page: p. 560

Model no.: 109-319J, 109-319E, 109-319H, 109-320



# ∅172x150x51 mm

San Ace 172 9SG type US

Sidecut type

## General Specifications

- Material ..... Frame: Aluminum, Impeller: Plastic (Flammability: UL 94V-1)
- Expected life ..... See the table below. (L10 life: 90% survival rate for continuous operation in free air at 60°C, rated voltage) Expected life at 40°C is for reference only.
- Motor protection function ..... Locked rotor burnout protection, Reverse polarity protection  
For details, please refer to p. 573.
- Dielectric strength ..... 50/60 Hz, 500 VAC, for 1 minute (between lead wire conductors and frame)
- Insulation resistance ..... 10 MΩ or more with a 500 VDC megger (between lead wire conductors and frame)
- Sound pressure level (SPL) ..... At 1 m away from the air inlet
- Storage temperature ..... -30 to +70°C (Non-condensing)
- Lead wire ..... ⊕Red ⊖Black Sensor Yellow Control Brown
- Mass ..... 760 g

## Specifications

The models listed below **have pulse sensors with PWM control function.**

Model no.	Rated voltage [V]	Operating voltage range [V]	PWM duty cycle [%]	Rated current [A]	Rated input [W]	Rated speed [min <sup>-1</sup> ]	Max. airflow [m <sup>3</sup> /min] [CFM]	Max. static pressure [Pa] [inchH <sub>2</sub> O]	SPL [dB (A)]	Operating temperature [°C]	Expected life [h]
▶▶ 9SG5724P5H61	24	20.4 to 27.6	100	2.8	67.2	6500	11.6 410	540 2.16	71	-20 to +70	40000/60°C (70000/40°C)
			0	0.18	4.32	1300	2.32 81.9	30 0.12	28		
▶▶ 9SG5748P5G01	48	36 to 72	100	2.91	140	8600	15.46 546	1000 4.02	78	-20 to +60	
			0	0.21	10.1	2000	3.59 127	75.1 0.3	40		
▶▶ 9SG5748P5H01			100	1.62	78	6500	11.6 410	770 3.09	71		
			0	0.21	10.1	2000	3.59 127	75.1 0.3	40		

\* PWM input frequency is 25 kHz; models without specifications at 0% PWM duty cycle have zero fan speed at 0%.

The following sensor and control options are available for selection.

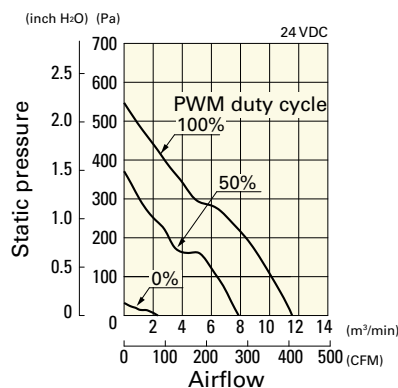
Differs according to the model. Refer to the table on p. 610. **Without sensor**

The ▶▶ mark indicates Short LeadTime Service applicable models. See p. 626 for details.

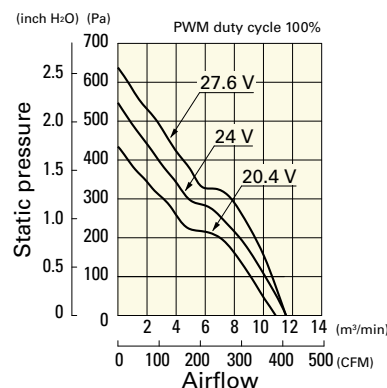
## Airflow - Static Pressure Characteristics / PWM Duty - Speed Characteristics Example

**9SG5724P5H61** With pulse sensor with PWM control function

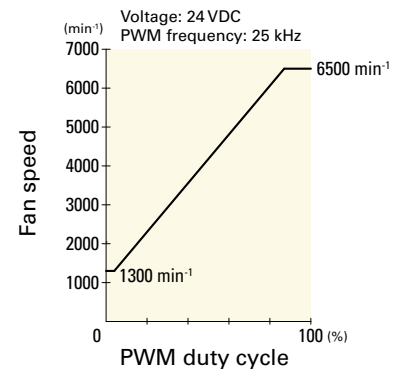
PWM duty cycle



Operating voltage range



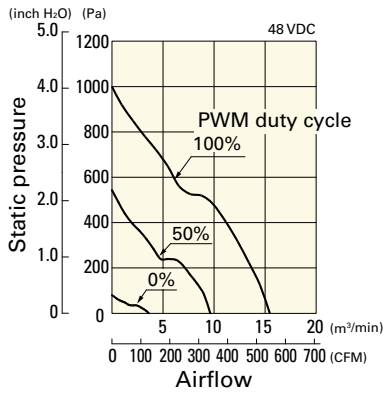
PWM duty - Speed characteristics example



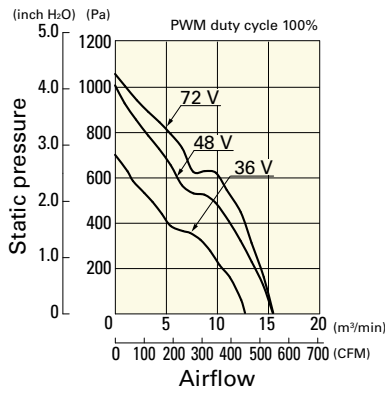
**Airflow - Static Pressure Characteristics / PWM Duty - Speed Characteristics Example**

**9SG5748P5G01** With pulse sensor with PWM control function

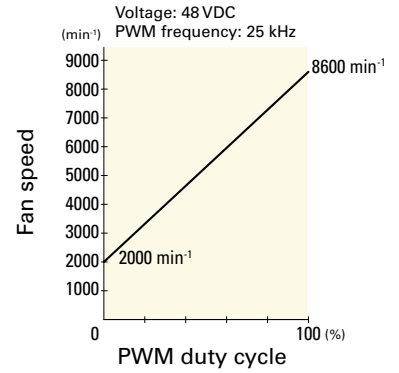
PWM duty cycle



Operating voltage range

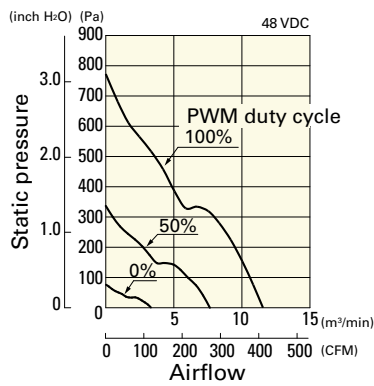


PWM duty - Speed characteristics example

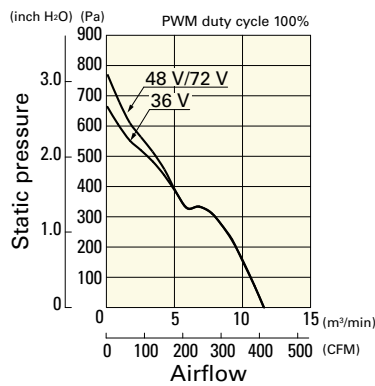


**9SG5748P5H01** With pulse sensor with PWM control function

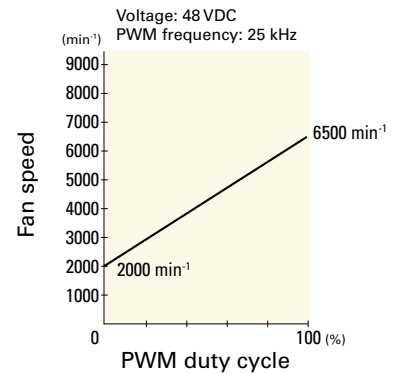
PWM duty cycle



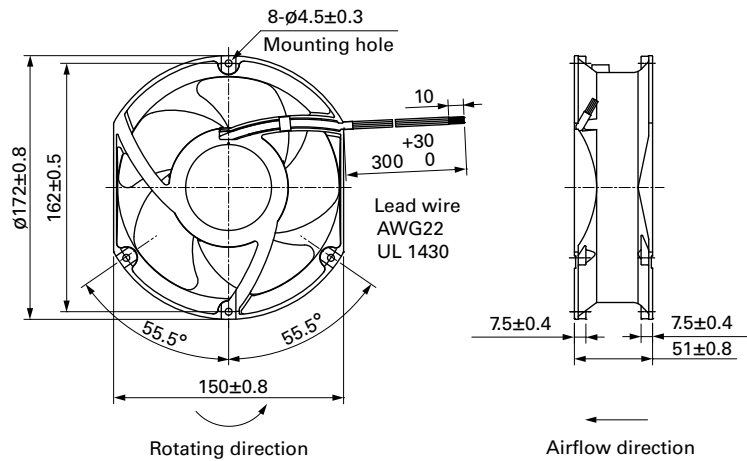
Operating voltage range

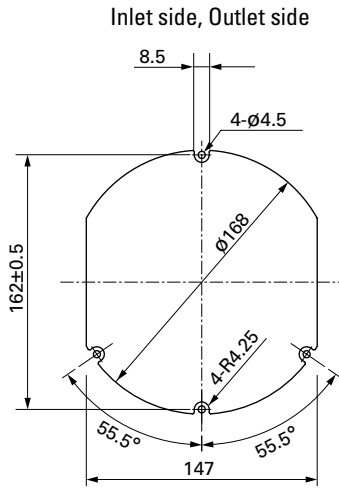


PWM duty - Speed characteristics example



**Dimensions (unit: mm)**



**Reference Dimensions of Mounting Holes and Vent Opening (unit: mm)****Options**

Finger guards

page: p. 560

Model no.: 109-319J, 109-319E, 109-319H, 109-320

DC Fan



# Ø 172x150x51 mm

**San Ace 172 9GV** type

Sidecut type

## General Specifications

- Material ..... Frame: Aluminum, Impeller: Plastic (Flammability: UL 94V-1)
- Expected life ..... See the table below. (L10 life: 90% survival rate for continuous operation in free air at 60°C, rated voltage)  
Expected life at 40°C is for reference only.
- Motor protection function ..... Locked rotor burnout protection, Reverse polarity protection  
For details, please refer to p. 573.
- Dielectric strength ..... 50/60 Hz, 500 VAC, for 1 minute (between lead wire conductors and frame)
- Insulation resistance ..... 10 MΩ or more with a 500 VDC megger (between lead wire conductors and frame)
- Sound pressure level (SPL) ..... At 1 m away from the air inlet
- Storage temperature ..... -30 to +70°C (Non-condensing)
- Lead wire ..... ⊕Red ⊖Black  Sensor  Yellow
- Mass ..... 800 g

## Specifications

The models listed below **have pulse sensors**.

Model no.	Rated voltage [V]	Operating voltage range [V]	Rated current [A]	Rated input [W]	Rated speed [min <sup>-1</sup> ]	Max. airflow [m <sup>3</sup> /min] [CFM]	Max. static pressure [Pa] [inchH <sub>2</sub> O]	SPL [dB (A)]	Operating temperature [°C]	Expected life [h]
<b>9GV5724H501</b>	24	20.4 to 27.6	4.0	96	6300	11.32 400	690 2.77	74	-20 to +70	40000/60°C (70000/40°C)
<b>9GV5748H501</b>	48	40.8 to 55.2	2.0	96	6300	11.32 400	690 2.77	74		

The following sensor and control options are available for selection.

Available for all models.  Without sensor  PWM control

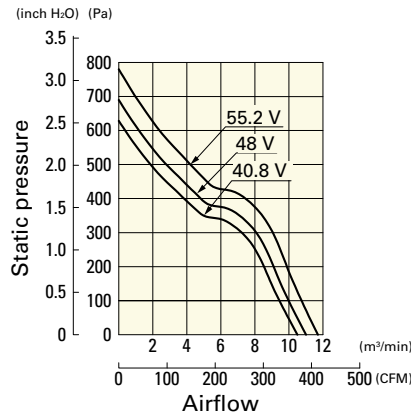
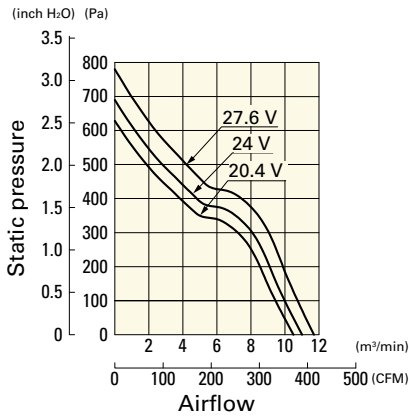
## Airflow - Static Pressure Characteristics

**9GV5724H501** With pulse sensor

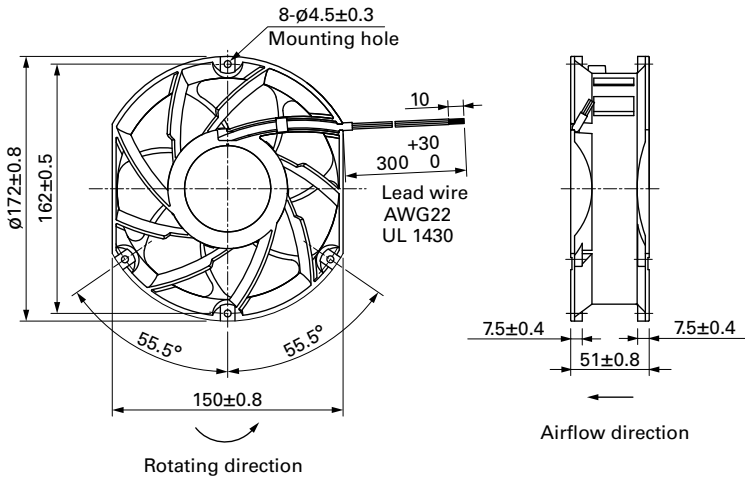
**9GV5748H501** With pulse sensor

Operating voltage range

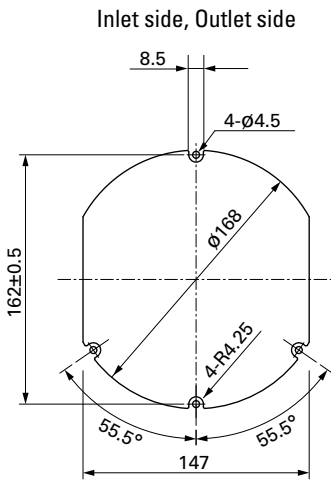
Operating voltage range



**Dimensions (unit: mm)**



**Reference Dimensions of Mounting Holes and Vent Opening (unit: mm)**



**Options**

Finger guards

page: p. 560

Model no.: 109-319J, 109-319E, 109-319H, 109-320

DC Fan

# Ø 172x150x51 mm



**San Ace 172 9E** type

Sidecut type

## General Specifications

- Material ..... Frame: Aluminum, Impeller: Plastic (Flammability: UL 94V-1)
- Expected life ..... See the table below. (L10 life: 90% survival rate for continuous operation in free air at 60°C, rated voltage)  
Expected life at 40°C is for reference only.
- Motor protection function ..... Locked rotor burnout protection, Reverse polarity protection  
For details, please refer to p. 573.
- Dielectric strength ..... 50/60 Hz, 500 VAC, for 1 minute (between lead wire conductors and frame)
- Insulation resistance ..... 10 MΩ or more with a 500 VDC megger (between lead wire conductors and frame)
- Sound pressure level (SPL) ..... At 1 m away from the air inlet
- Storage temperature ..... -30 to +70°C (Non-condensing)
- Lead wire ..... ⊕Red ⊖Black or Blue Sensor Yellow
- Mass ..... 760 g

## Specifications

The models listed below **have pulse sensors**.

Model no.	Rated voltage [V]	Operating voltage range [V]	Rated current [A]	Rated input [W]	Rated speed [min <sup>-1</sup> ]	Max. airflow [m <sup>3</sup> /min] [CFM]	Max. static pressure [Pa] [inchH <sub>2</sub> O]	SPL [dB (A)]	Operating temperature [°C]	Expected life [h]
» 109E5712K501	12	10.2 to 13.8	2.9	34.8	4100	8.5 300	243.0 0.976	60	-20 to +60	40000/60°C (70000/40°C)
» 109E5712Y501			2.3	27.6	3800	8 282	210 0.84	60		
» 109E5712H501			1.2	14.4	3050	6.4 226	137.2 0.551	52		
» 109E5712F501			0.68	8.16	2500	5.1 180	95 0.38	47		
» 109E5712M501			0.48	5.76	2000	4.2 148	67.6 0.271	41		
» 109E5724C501	24	20.4 to 27.6	2.3	55.2	4800	9.9 350	308.0 1.237	66	-20 to +70	
» 109E5724K501			1.3	31.2	4100	8.5 300	243.0 0.976	60		
» 109E5724H501			0.58	13.92	3050	6.4 226	137.2 0.551	52		
» 109E5724F501			0.35	8.4	2500	5.1 180	95 0.38	47		
» 109E5724M501			0.2	4.8	2000	4.2 148	67.6 0.271	41		
» 109E5748C501	48	40.8 to 55.2	1.2	57.6	4800	9.9 350	308.0 1.237	66	-20 to +60	
» 109E5748K501			0.7	33.6	4100	8.5 300	243.0 0.976	60		
» 109E5748H501			0.28	13.44	3050	6.4 226	137.2 0.551	52		
» 109E5748F501			0.19	9.12	2500	5.1 180	95 0.38	47		
» 109E5748M501			0.11	5.28	2000	4.2 148	67.6 0.271	41		

The following sensor and control options are available for selection.

Available for all models. Without sensor

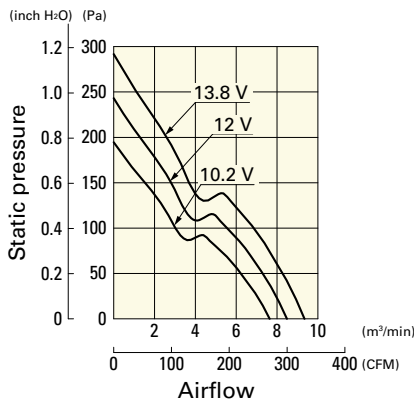
Differs according to the model. Refer to the table on p. 595. Lock sensor PWM control

The » mark indicates Short LeadTime Service applicable models. See p. 626 for details.

## Airflow - Static Pressure Characteristics

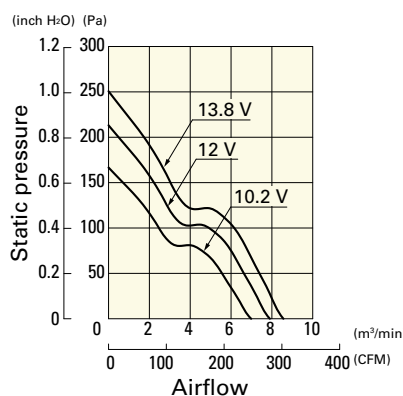
**109E5712K501** With pulse sensor

Operating voltage range



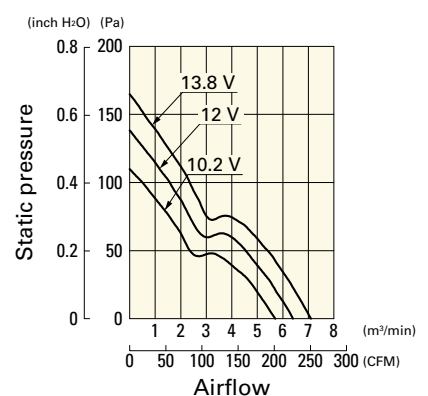
**109E5712Y501** With pulse sensor

Operating voltage range



**109E5712H501** With pulse sensor

Operating voltage range



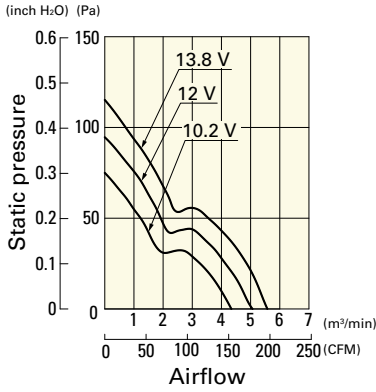


# Airflow - Static Pressure Characteristics

DC Fan ø172 mm

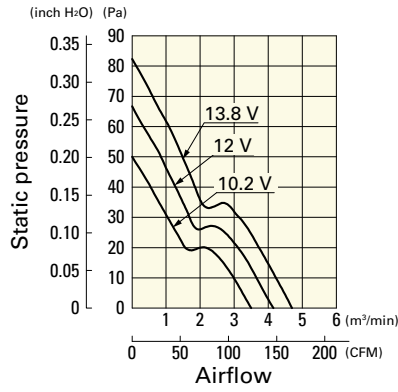
**109E5712F501** With pulse sensor

Operating voltage range



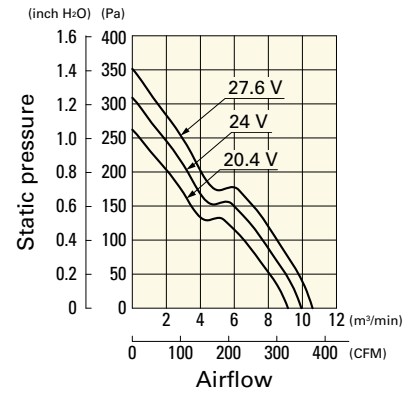
**109E5712M501** With pulse sensor

Operating voltage range



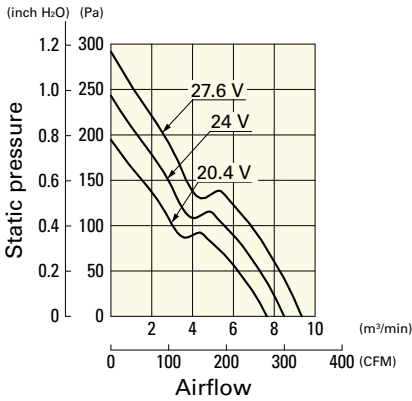
**109E5724C501** With pulse sensor

Operating voltage range



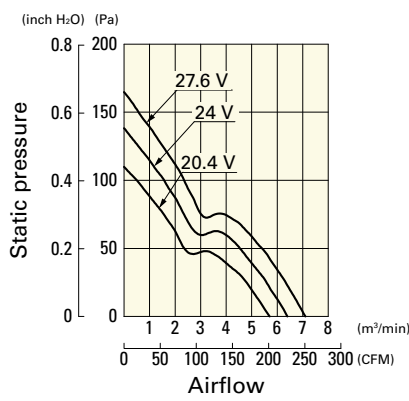
**109E5724K501** With pulse sensor

Operating voltage range



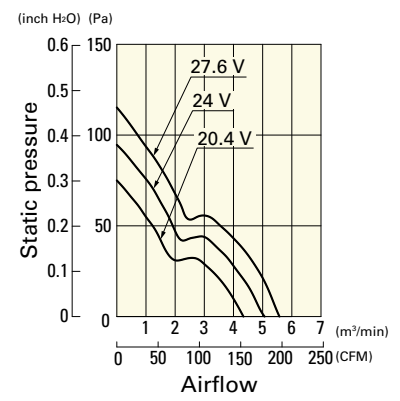
**109E5724H501** With pulse sensor

Operating voltage range



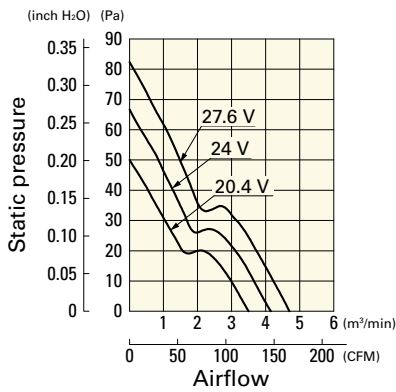
**109E5724F501** With pulse sensor

Operating voltage range



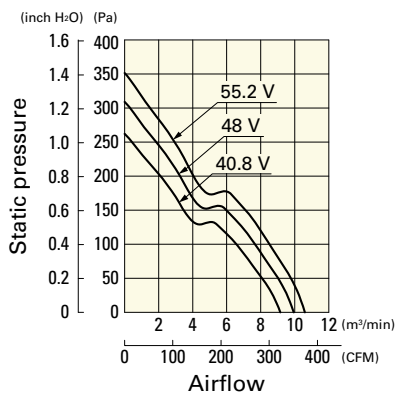
**109E5724M501** With pulse sensor

Operating voltage range



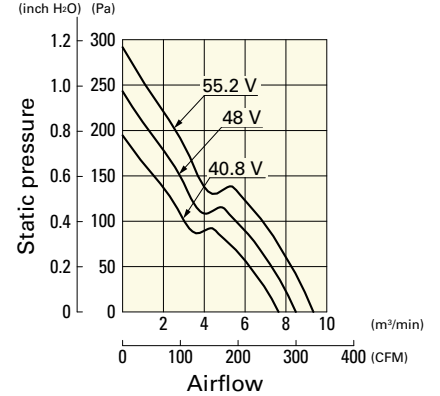
**109E5748C501** With pulse sensor

Operating voltage range



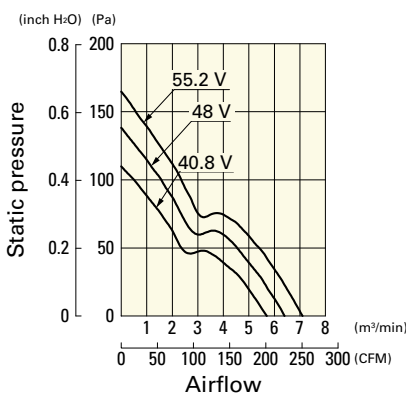
**109E5748K501** With pulse sensor

Operating voltage range



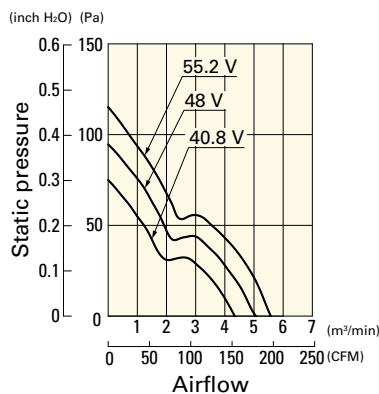
**109E5748H501** With pulse sensor

Operating voltage range



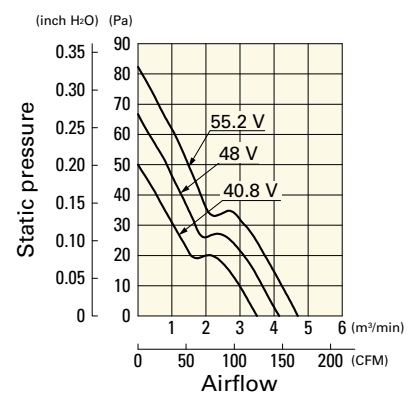
**109E5748F501** With pulse sensor

Operating voltage range

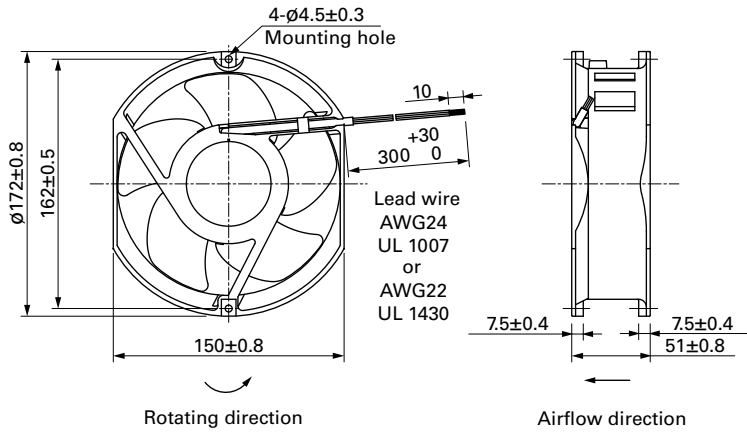


**109E5748M501** With pulse sensor

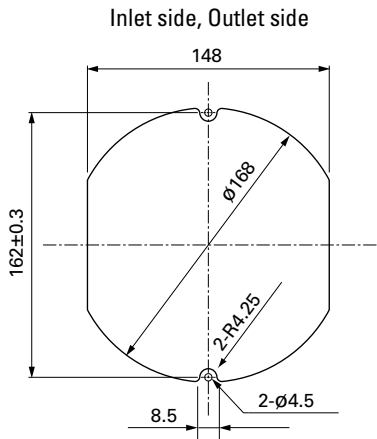
Operating voltage range



**Dimensions (unit: mm)**



**Reference Dimensions of Mounting Holes and Vent Opening (unit: mm)**



**Options**

Finger guards

page: p. 560

Model no.: 109-319E, 109-319H, 109-320

Ø **172x51** mm

**San Ace 172 9E** type   

Round type



**General Specifications**

- Material ..... Frame: Aluminum, Impeller: Plastic (Flammability: UL 94V-1)
- Expected life ..... See the table below. (L10 life: 90% survival rate for continuous operation in free air at 60°C, rated voltage)  
Expected life at 40°C is for reference only.
- Motor protection function ..... Locked rotor burnout protection, Reverse polarity protection  
For details, please refer to p. 573.
- Dielectric strength ..... 50/60 Hz, 500 VAC, for 1 minute (between lead wire conductors and frame)
- Insulation resistance ..... 10 MΩ or more with a 500 VDC megger (between lead wire conductors and frame)
- Sound pressure level (SPL) ..... At 1 m away from the air inlet
- Storage temperature ..... -30 to +70°C (Non-condensing)
- Lead wire ..... ⊕Red ⊖Black or Blue Sensor Yellow
- Mass ..... 780 g

**Specifications**

The models listed below **have pulse sensors**.

Model no.	Rated voltage [V]	Operating voltage range [V]	Rated current [A]	Rated input [W]	Rated speed [min <sup>-1</sup> ]	Max. airflow [m <sup>3</sup> /min] [CFM]	Max. static pressure [Pa] [inchH <sub>2</sub> O]	SPL [dB (A)]	Operating temperature [°C]	Expected life [h]
» 109E1712K501	12	10.2 to 13.8	2.9	34.8	4100	8.5 300	243.0 0.976	55	-20 to +60	40000/60°C (70000/40°C)
» 109E1712Y501			2.3	27.6	3800	7.8 276	210.0 0.843	53		
» 109E1712H501			1.2	14.4	3050	6.4 226	137.2 0.551	47		
» 109E1712F501			0.68	10.8	2500	5.1 180	95.0 0.382	42		
» 109E1712M501			0.48	5.76	2000	4.2 148	67.6 0.271	36		
» 109E1724C501	24	20.4 to 27.6	2.3	55.2	4800	9.9 350	308.0 1.237	60	-20 to +70	
» 109E1724K501			1.3	31.2	4100	8.5 300	243.0 0.976	55		
» 109E1724H501			0.58	13.92	3050	6.4 226	137.2 0.551	47		
» 109E1724F501			0.35	8.4	2500	5.1 180	95 0.382	42		
» 109E1724M501			0.2	4.8	2000	4.2 148	67.6 0.271	36		
» 109E1748C501	48	40.8 to 55.2	1.2	57.6	4800	9.9 350	308.0 1.237	60	-20 to +60	
» 109E1748K501			0.7	33.6	4100	8.5 300	243.0 0.976	55		
» 109E1748H501			0.28	13.44	3050	6.4 226	137.2 0.551	47		
» 109E1748F501			0.19	9.12	2500	5.1 180	95 0.382	42		
» 109E1748M501			0.11	5.28	2000	4.2 148	67.6 0.271	36		

The following sensor and control options are available for selection.

Available for all models. Without sensor

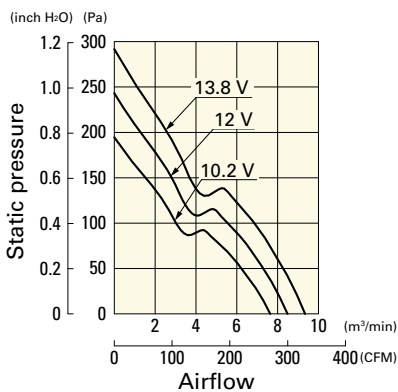
Differs according to the model. Refer to the table on p. 594. Lock sensor PWM control

The » mark indicates Short LeadTime Service applicable models. See p. 626 for details.

**Airflow - Static Pressure Characteristics**

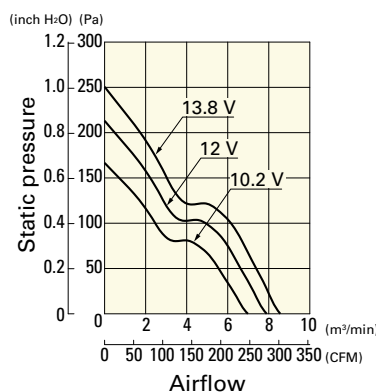
**109E1712K501** With pulse sensor

Operating voltage range



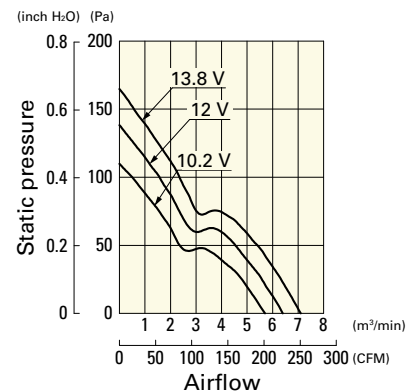
**109E1712Y501** With pulse sensor

Operating voltage range



**109E1712H501** With pulse sensor

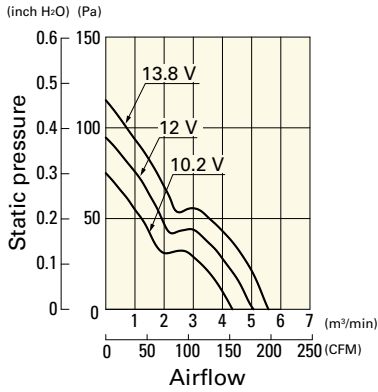
Operating voltage range



**Airflow - Static Pressure Characteristics**

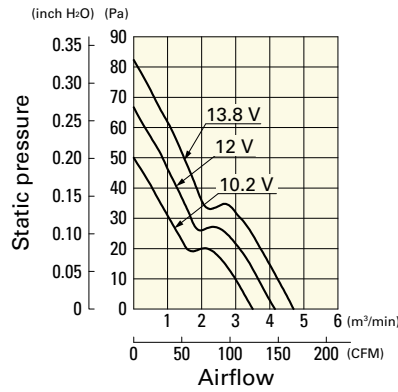
**109E1712F501** With pulse sensor

Operating voltage range



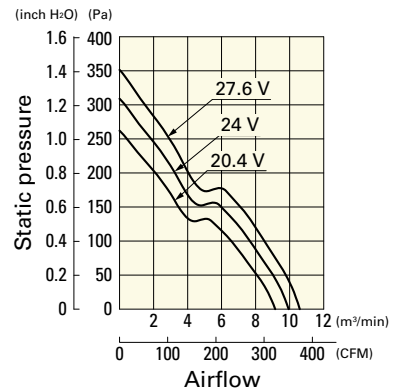
**109E1712M501** With pulse sensor

Operating voltage range



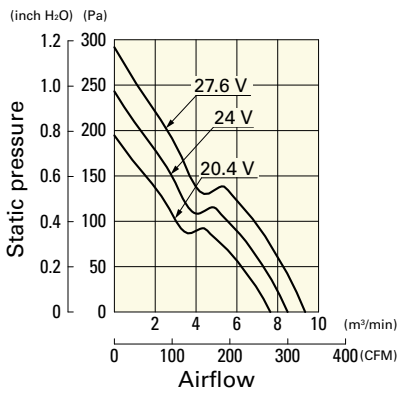
**109E1724C501** With pulse sensor

Operating voltage range



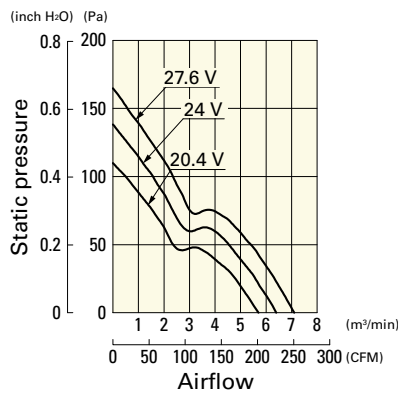
**109E1724K501** With pulse sensor

Operating voltage range



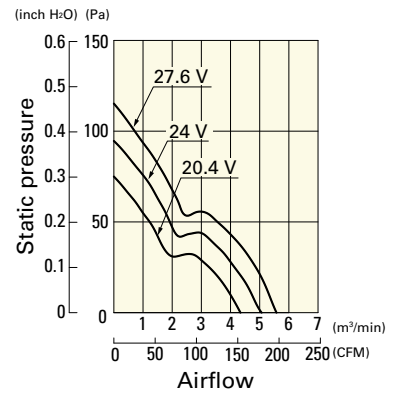
**109E1724H501** With pulse sensor

Operating voltage range



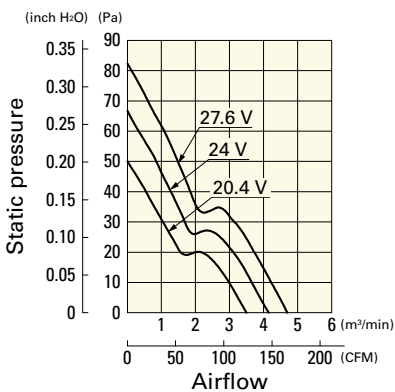
**109E1724F501** With pulse sensor

Operating voltage range



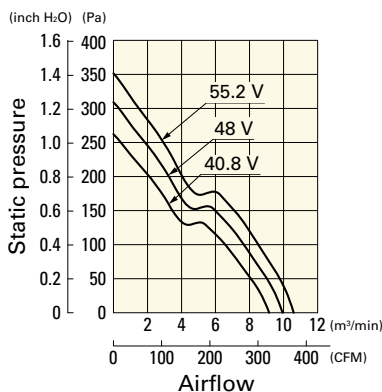
**109E1724M501** With pulse sensor

Operating voltage range



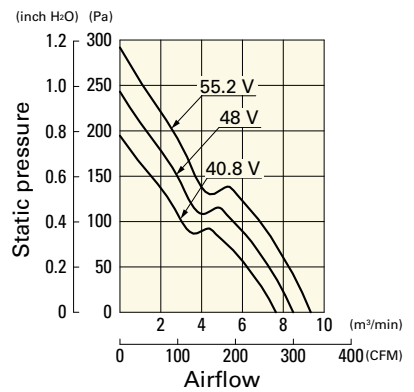
**109E1748C501** With pulse sensor

Operating voltage range



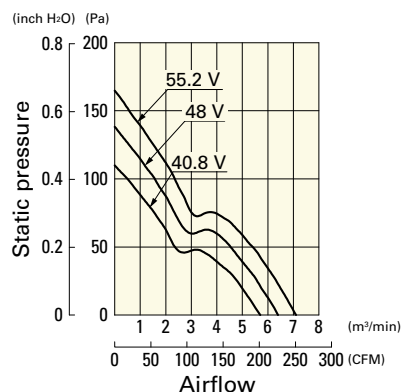
**109E1748K501** With pulse sensor

Operating voltage range



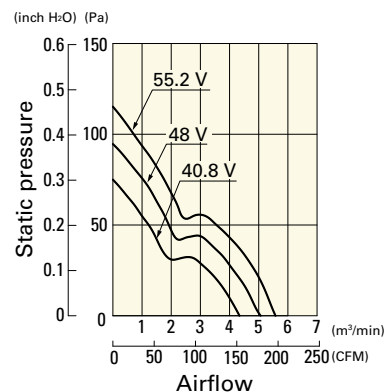
**109E1748H501** With pulse sensor

Operating voltage range



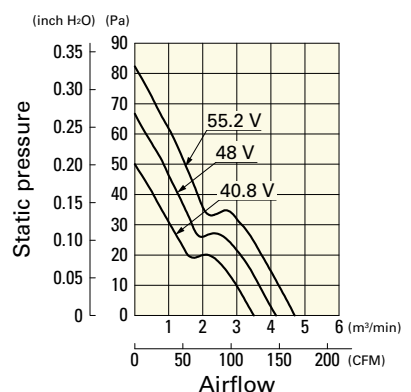
**109E1748F501** With pulse sensor

Operating voltage range

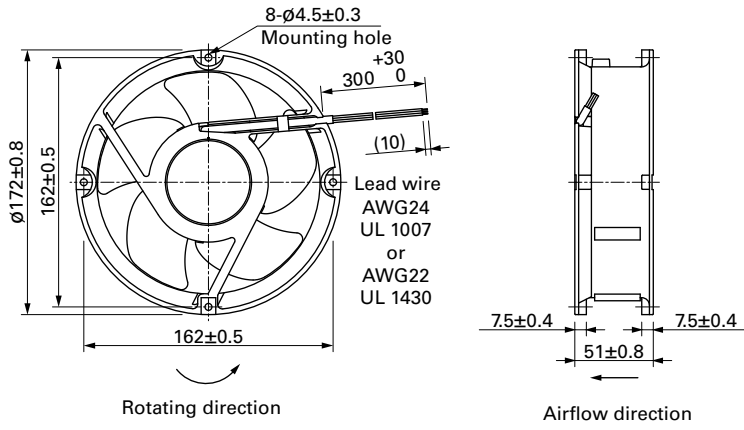


**109E1748M501** With pulse sensor

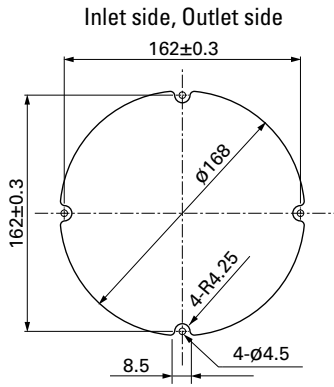
Operating voltage range



**Dimensions (unit: mm)**



**Reference Dimensions of Mounting Holes and Vent Opening (unit: mm)**



**Options**

Finger guards

page: p. 560

Model no.: 109-1066, 109-1068, 109-319E, 109-319H, 109-320



# Ø200x70 mm

**San Ace 200 9GV** type

## General Specifications

- Material ..... Frame: Aluminum, Impeller: Plastic (Flammability: UL 94V-1)
- Expected life ..... See the table below. (L10 life: 90% survival rate for continuous operation in free air at 60°C, rated voltage)  
Expected life at 40°C is for reference only.
- Motor protection function ..... Locked rotor burnout protection, Reverse polarity protection  
For details, please refer to p. 573.
- Dielectric strength ..... 50/60 Hz, 500 VAC, for 1 minute (between lead wire conductors and frame)
- Insulation resistance ..... 10 MΩ or more with a 500 VDC megger (between lead wire conductors and frame)
- Sound pressure level (SPL) ..... At 1 m away from the air inlet
- Storage temperature ..... -30 to +70°C (Non-condensing)
- Lead wire ..... ⊕Red ⊖Black  Sensor  Yellow  Control  Brown
- Mass ..... 1800 g

Once the fan stops, wait for at least 15 seconds before restarting the fan.

## Specifications

The models listed below **have pulse sensors with PWM control function.**

Model no.	Rated voltage [V]	Operating voltage range [V]	PWM duty cycle* [%]	Rated current [A]	Rated input [W]	Rated speed [min <sup>-1</sup> ]	Max. airflow [m <sup>3</sup> /min] [CFM]	Max. static pressure [Pa] [inchH <sub>2</sub> O]	SPL [dB (A)]	Operating temperature [°C]	Expected life [h]
<b>9GV2048P0G201</b>	48	36 to 72	100	12.5	600	8000	31.5 1112	1400 5.62	81	-20 to +70	40000/60°C (70000/40°C)

\* PWM input frequency is 1 kHz; models without specifications at 0% PWM duty cycle have zero fan speed at 0%.

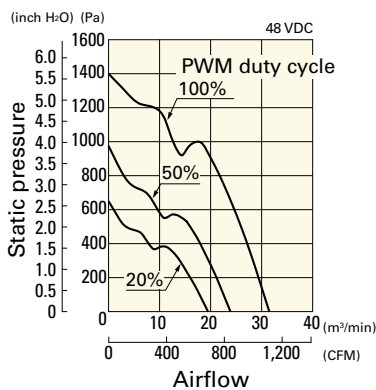
The following sensor and control options are available for selection.

Available for all models. Without sensor

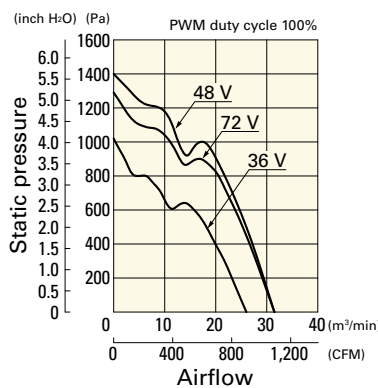
## Airflow - Static Pressure Characteristics / PWM Duty - Speed Characteristics Example

**9GV2048P0G201** With pulse sensor with PWM control function

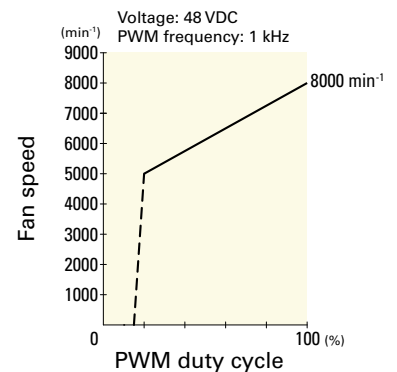
PWM duty cycle



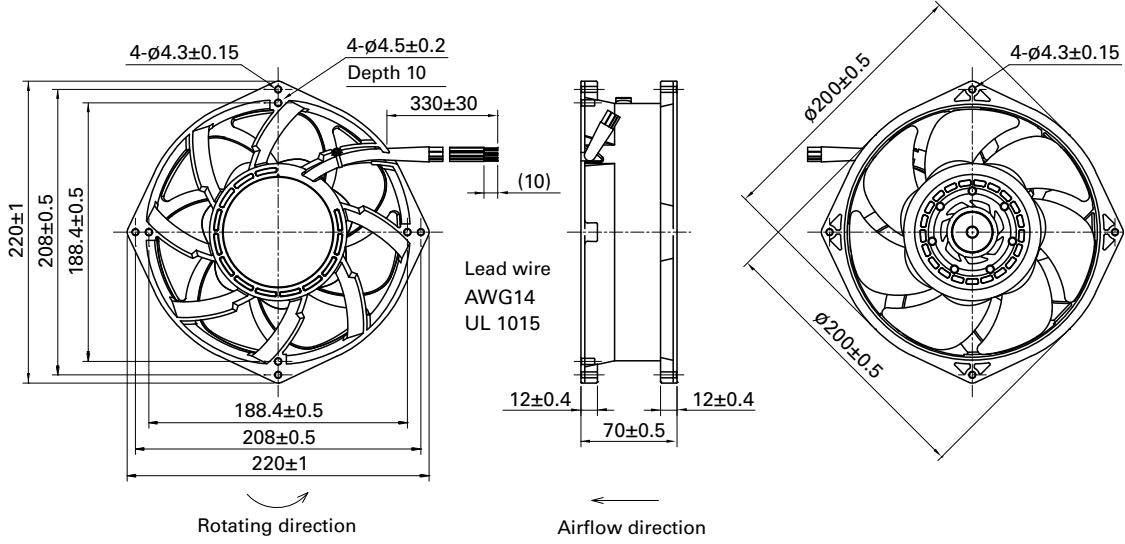
Operating voltage range



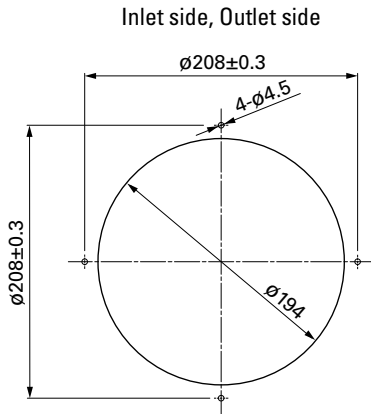
PWM duty - Speed characteristics example



**Dimensions (unit: mm)**



**Reference Dimensions of Mounting Holes and Vent Opening (unit: mm)**



**Options**

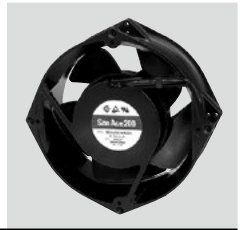
Finger guards

page: p. 561

Model no.: 109-1102, 109-1103

DC Fan

# Ø200x70 mm



**San Ace 200 9EC type** Model 9EC2048J001 is not certified.

## General Specifications

- Material ..... Frame: Aluminum (Black coating), Impeller: Plastic (Flammability: UL 94V-1)
- Expected life ..... See the table below. (L10 life: 90% survival rate for continuous operation in free air at 60°C, rated voltage)  
Expected life at 40°C is for reference only.
- Motor protection function ..... Locked rotor burnout protection, Reverse polarity protection  
For details, please refer to p. 573.
- Dielectric strength ..... 50/60 Hz, 500 VAC, for 1 minute (between lead wire conductors and frame)
- Insulation resistance ..... 10 MΩ or more with a 500 VDC megger (between lead wire conductors and frame)
- Sound pressure level (SPL) ..... At 1 m away from the air inlet
- Storage temperature ..... -30 to +70°C (Non-condensing)
- Lead wire ..... ⊕Red ⊖Black or Blue Sensor Yellow
- Mass ..... 1800 g

Once the fan stops, wait for at least 10 seconds before restarting the fan.

## Specifications

The models listed below **have pulse sensors**.

Model no.	Rated voltage [V]	Operating voltage range [V]	Rated current [A]	Rated input [W]	Rated speed [min <sup>-1</sup> ]	Max. airflow [m <sup>3</sup> /min] [CFM]	Max. static pressure [Pa] [inchH <sub>2</sub> O]	SPL [dB (A)]	Operating temperature [°C]	Expected life [h]
<b>9EC2024H001</b>	24	20.4 to 26.4	2.0	48.0	3600	11.0 388	360 1.446	60	-20 to +60	40000/60°C (70000/40°C)
<b>9EC2048J001</b>	48	40.8 to 55.2	4.4	211.2	6100	18.3 646	1000 4.016	75		
<b>9EC2048A001</b>		43.0 to 51.0	2.2	105.6	4800	14.7 519	640 2.57	68		
<b>9EC2048H001</b>		40.8 to 52.8	1.2	57.6	3600	11.0 388	360 1.446	60		

The following sensor and control options are available for selection.

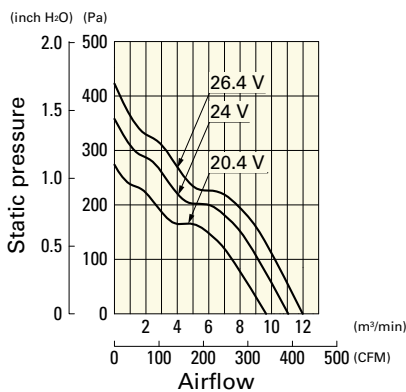
Available for all models. Without sensor

Differs according to the model. Refer to the table on p. 600. Lock sensor PWM control

## Airflow - Static Pressure Characteristics

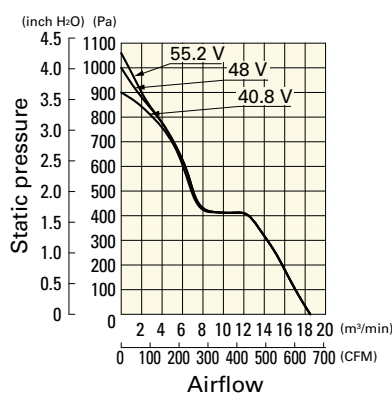
**9EC2024H001** With pulse sensor

Operating voltage range



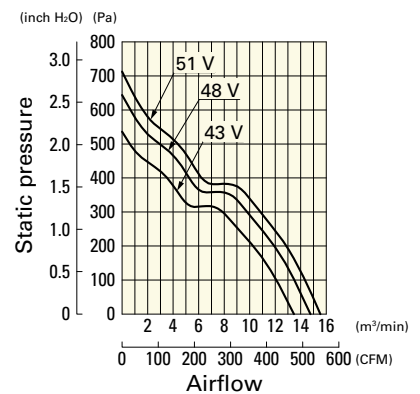
**9EC2048J001** With pulse sensor

Operating voltage range



**9EC2048A001** With pulse sensor

Operating voltage range

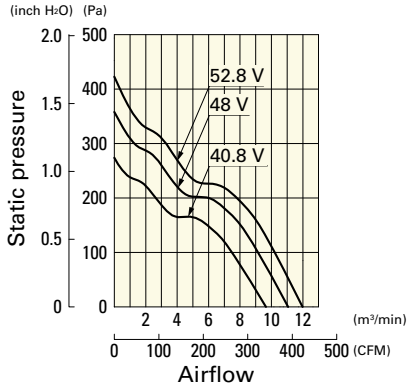




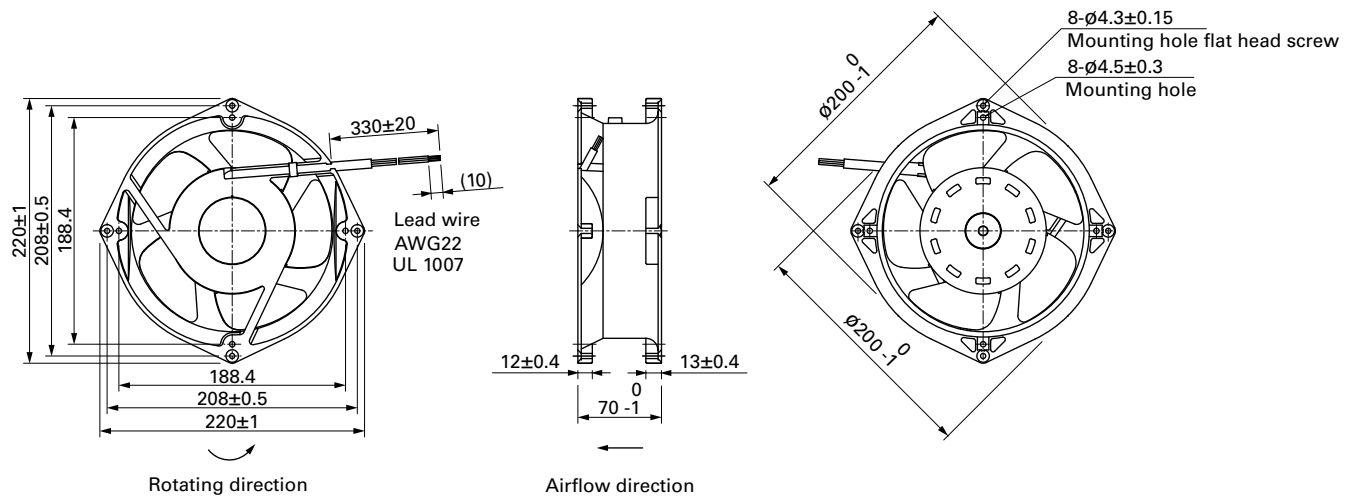
**Airflow - Static Pressure Characteristics**

**9EC2048H001** With pulse sensor

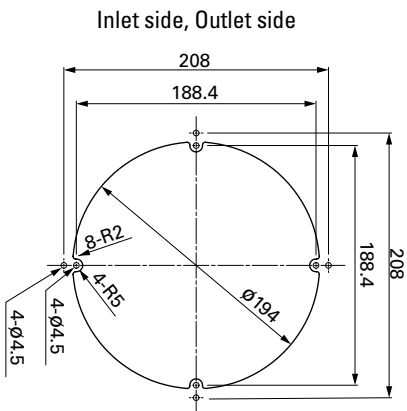
Operating voltage range



**Dimensions (unit: mm)**



**Reference Dimensions of Mounting Holes and Vent Opening (unit: mm)**



**Options**

Finger guards

page: p. 561

Model no.: 109-720, 109-720H, 109-721, 109-721H



# Counter Rotating Fan

Counter rotating fans feature high airflow and high static pressure.  
Related product: Long Life Fan pp. 381, 383, 390

**Model Numbering System** Not every combination of the following codes or characters is available. Contact us for an available combination.

<b>9CRA</b>	<b>04</b>	<b>12</b>	<b>K</b>	<b>4</b>	<b>01</b>
Type name	Frame size	Voltage	Speed code	Frame thickness	Sensor specifications

Fans with PWM control function

<b>9CRA</b>	<b>03</b>	<b>12</b>	<b>P</b>	<b>4</b>	<b>K</b>	<b>03</b>
Type name	Frame size	Voltage	PWM control function	Frame thickness	Speed code	Individual customer's spec (2 to 3 digits)

Type name	9CRA 9CRH etc.					
Frame size (mm)	03	04	06	08	12	57
	38×38	40×40	60×60	80×80	120×120	∅172×150 (sidecut)
Voltage (V)	12	48				
	12	48				
Speed code	G H J K S etc.					
Frame thickness (mm)	0	4	5	6	8	9
	76	48	51, 56	56	80	102
Sensor specifications	01, 001		02, 002		D01, D001	
	With a pulse sensor		Without a sensor		With a lock sensor	

# 38x38x48 mm



San Ace 38 9CRA type

## General Specifications

- Material ..... Frame: Plastic (Flammability: UL 94V-0), Impeller: Plastic (Flammability: UL 94V-1)
- Expected life ..... See the table below. (L10 life: 90% survival rate for continuous operation in free air at 60°C, rated voltage) Expected life at 40°C is for reference only.
- Motor protection function ..... Locked rotor burnout protection, Reverse polarity protection  
For details, please refer to p. 573.
- Dielectric strength ..... 50/60 Hz, 500 VAC, for 1 minute (between lead wire conductors and frame)
- Insulation resistance ..... 10 MΩ or more with a 500 VDC megger (between lead wire conductors and frame)
- Sound pressure level (SPL) ..... At 1 m away from the air inlet
- Storage temperature ..... -30 to +70°C (Non-condensing)
- Lead wire ..... Inlet ⊕Red ⊖Black (Sensor) Yellow (Control) Brown  
Outlet ⊕Orange ⊖Gray (Sensor) Purple (Control) White
- Mass ..... 80 g

## Specifications

The models listed below **have pulse sensors with PWM control function.**

Model no.	Rated voltage [V]	Operating voltage range [V]	PWM duty cycle [%]	Rated current [A]	Rated input [W]	Rated speed [min <sup>-1</sup> ]		Max. airflow [m <sup>3</sup> /min] [CFM]		Max. static pressure [Pa] [inchH <sub>2</sub> O]		SPL [dB (A)]	Operating temperature [°C]	Expected life [h]
						Inlet	Outlet	Inlet	Outlet	Inlet	Outlet			
9CRA0312P4K03	12	10.8 to 13.2	100	1.5	18.0	17600	14520	0.77	27.2	700.0	2.81	64	-20 to +70	40000/60°C (70000/40°C)
			0	0.2	2.4	5280	4200	0.22	7.8	54.9	0.22	33		
100			1.1	13.2	16000	13200	0.7	24.7	560.0	2.25	62			
0			0.18	2.2	4800	3960	0.21	7.4	50.4	0.2	31			

\* PWM input frequency is 25 kHz; models without specifications at 0% PWM duty cycle have zero fan speed at 0%.

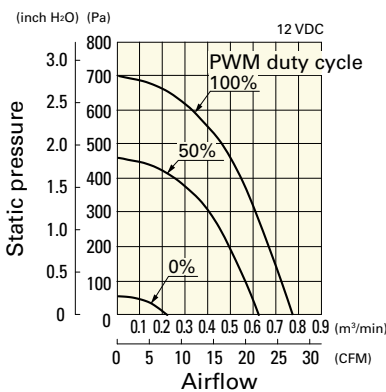
The following sensor and control options are available for selection.

Differs according to the model. Refer to the table on p. 599. Without sensor Pulse sensor

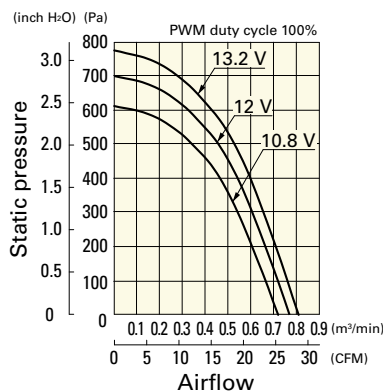
## Airflow - Static Pressure Characteristics / PWM Duty - Speed Characteristics Example

**9CRA0312P4K03** With pulse sensor with PWM control function

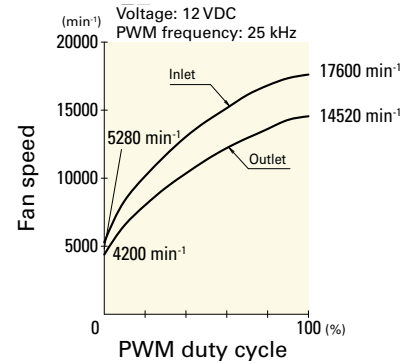
PWM duty cycle



Operating voltage range



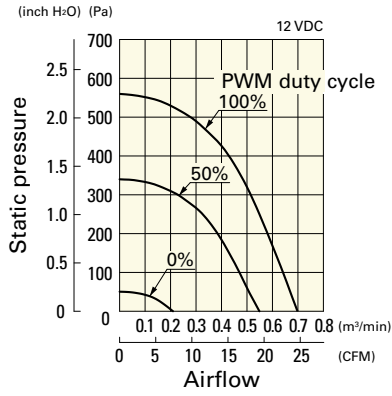
PWM duty - Speed characteristics example



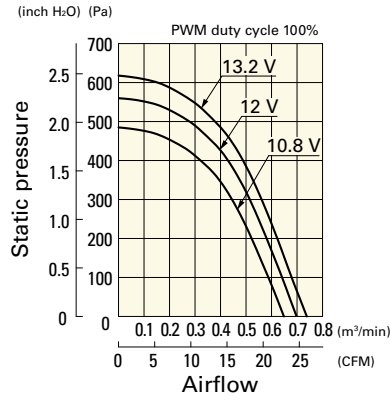
## Airflow - Static Pressure Characteristics / PWM Duty - Speed Characteristics Example

9CRA0312P4J03 With pulse sensor with PWM control function

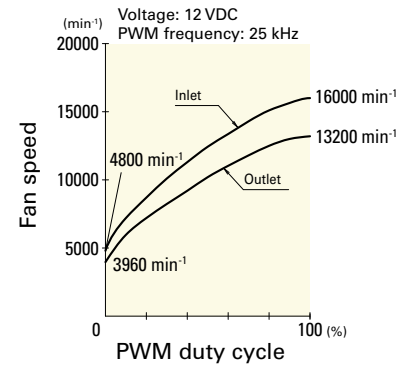
PWM duty cycle



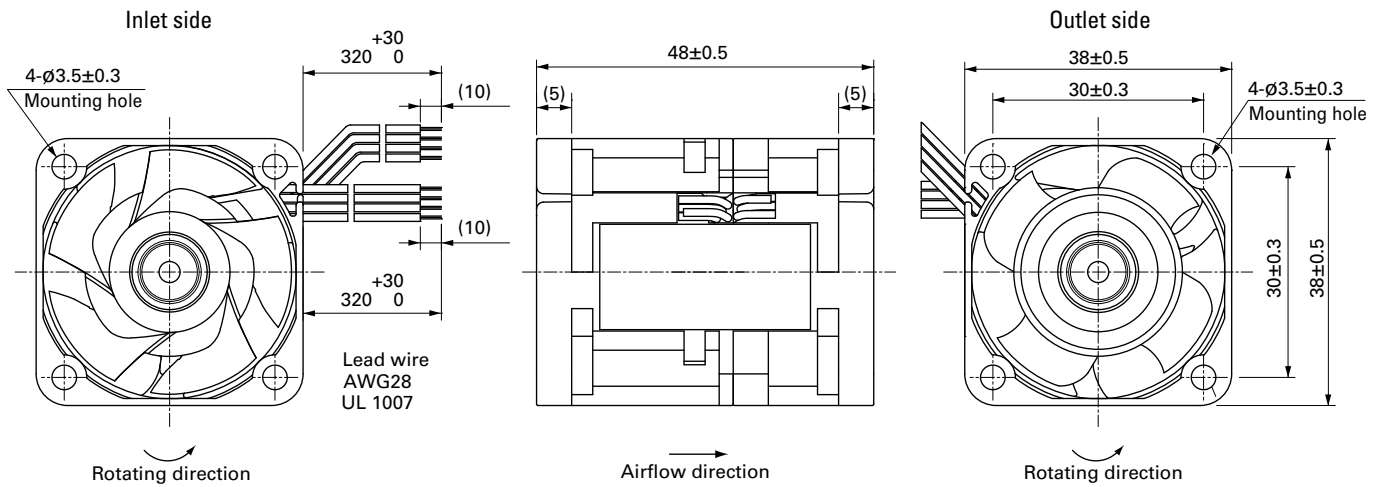
Operating voltage range



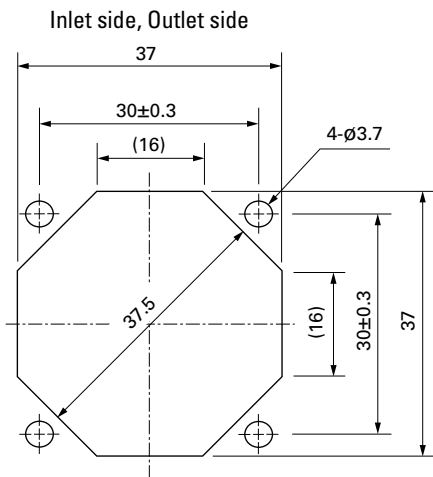
PWM duty - Speed characteristics example



## Dimensions (unit: mm)



## Reference Dimensions of Mounting Holes and Vent Opening (unit: mm)



## Options

Finger guards

page: p. 558

Model no.: 109-1065



# 40x40x48 mm

San Ace 40 9CRA type

## General Specifications

- Material ..... Frame: Plastic (Flammability: UL 94V-0), Impeller: Plastic (Flammability: UL 94V-1)
- Expected life ..... See the table below. (L10 life: 90% survival rate for continuous operation in free air at 60°C, rated voltage)  
Expected life at 40°C is for reference only.
- Motor protection function ..... Locked rotor burnout protection, Reverse polarity protection  
For details, please refer to p. 573.
- Dielectric strength ..... 50/60 Hz, 500 VAC, for 1 minute (between lead wire conductors and frame)
- Insulation resistance ..... 10 MΩ or more with a 500 VDC megger (between lead wire conductors and frame)
- Sound pressure level (SPL) ..... At 1 m away from the air inlet
- Storage temperature ..... -30 to +70°C (Non-condensing)
- Lead wire ..... Inlet ⊕Red ⊖Black (Sensor) Yellow (Control) Brown  
Outlet ⊕Orange ⊖Gray (Sensor) Purple (Control) White
- Mass ..... 80 g

## Specifications

The models listed below **have pulse sensors with PWM control function.**

Model no.	Rated voltage [V]	Operating voltage range [V]	PWM duty cycle [%]	Rated current [A]	Rated input [W]	Rated speed [min <sup>-1</sup> ]		Max. airflow [m <sup>3</sup> /min] [CFM]		Max. static pressure [Pa] [inchH <sub>2</sub> O]		SPL [dB (A)]	Operating temperature [°C]	Expected life [h]
						Inlet	Outlet	Inlet	Outlet	Inlet	Outlet			
9CRA0412P4K03	12	10.8 to 13.2	100	1.6	19.2	17500	11700	0.92	32.5	650.0	2.61	64	-20 to +70	40000/60°C (70000/40°C)
			0	0.19	2.28	5250	3510	0.276	9.75	58.5	0.235	33		
9CRA0412P4J03			100	1.2	14.4	16200	10800	0.85	30.0	560.0	2.25	62		
			0	0.15	1.8	4500	3000	0.236	8.33	43.2	0.173	28		
9CRA0412P4G03			100	1.0	12.0	14700	9800	0.77	27.2	460.0	1.85	59		
			0	0.15	1.8	4410	2940	0.231	8.16	41.4	0.166	28		

\* PWM input frequency is 25 kHz; models without specifications at 0% PWM duty cycle have zero fan speed at 0%.

The following sensor and control options are available for selection.

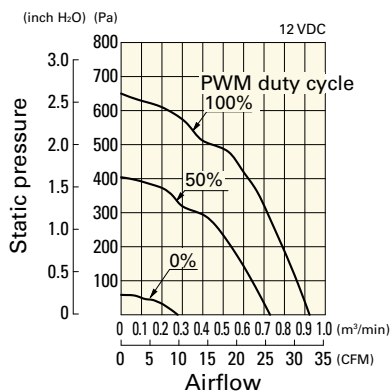
Available for all models. **Without sensor**

Differs according to the model. Refer to the table on p. 599. **Pulse sensor**

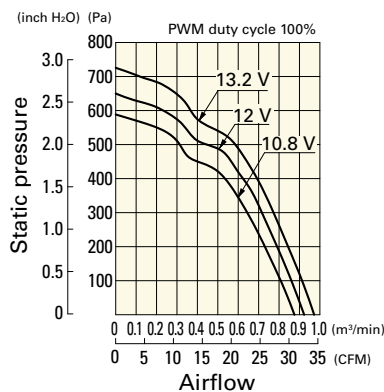
## Airflow - Static Pressure Characteristics / PWM Duty - Speed Characteristics Example

**9CRA0412P4K03** With pulse sensor with PWM control function

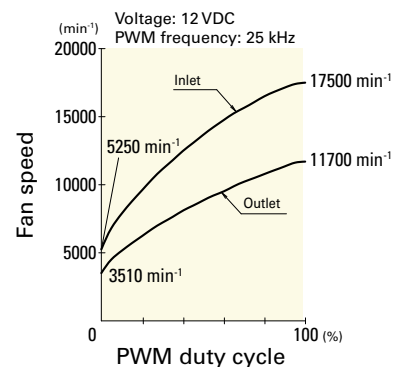
PWM duty cycle



Operating voltage range



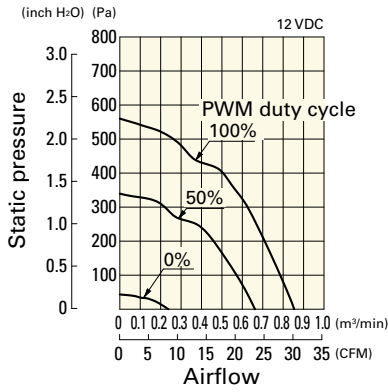
PWM duty - Speed characteristics example



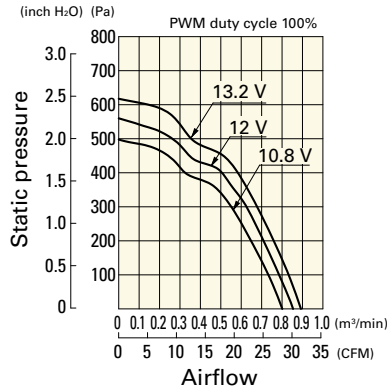
## Airflow - Static Pressure Characteristics / PWM Duty - Speed Characteristics Example

9CRA0412P4J03 With pulse sensor with PWM control function

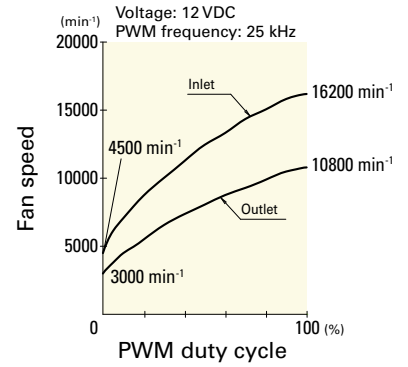
PWM duty cycle



Operating voltage range

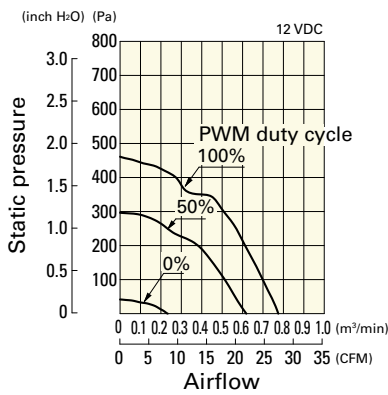


PWM duty - Speed characteristics example

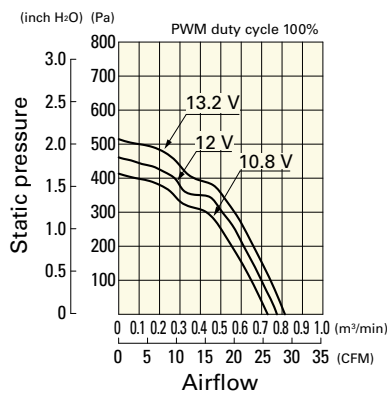


9CRA0412P4G03 With pulse sensor with PWM control function

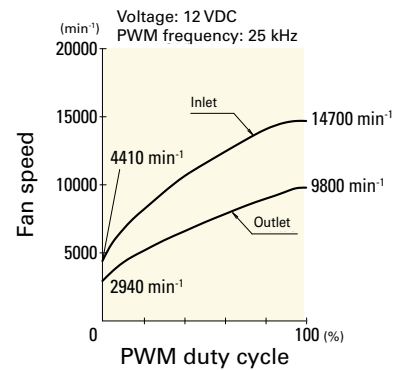
PWM duty cycle



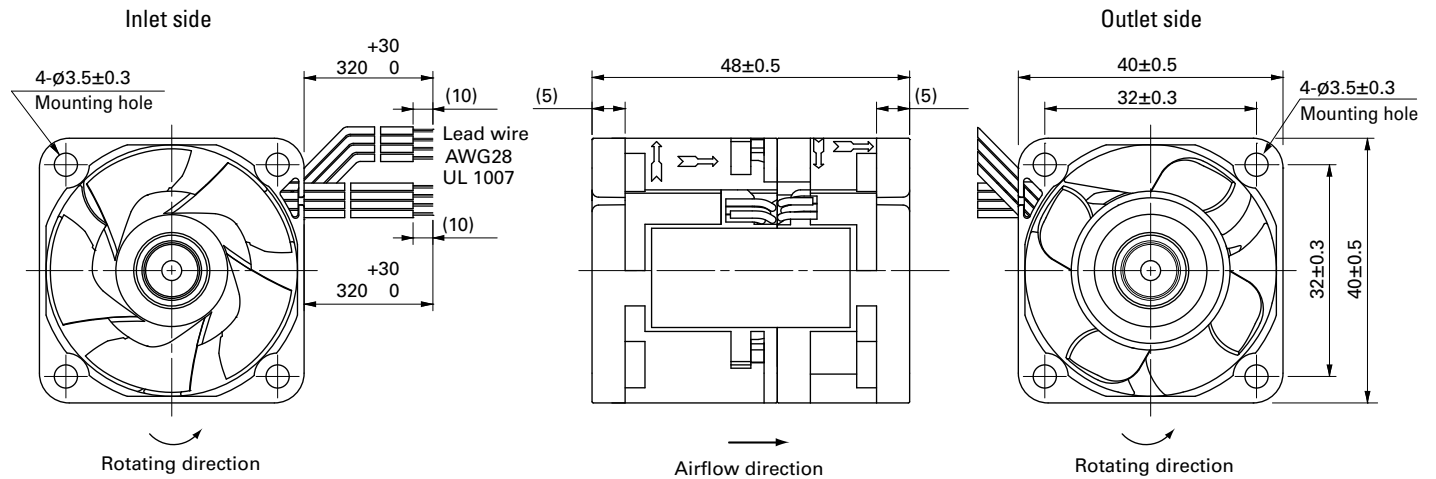
Operating voltage range



PWM duty - Speed characteristics example

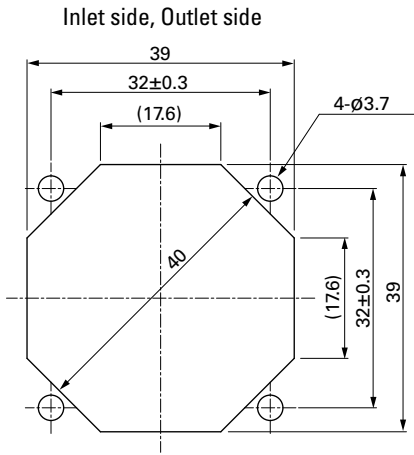


## Dimensions (unit: mm)



DC Counter Rotating Fan 40 mm sq.

**Reference Dimensions of Mounting Holes and Vent Opening (unit: mm)**



**Options**

Finger guards

page: p. 558

Model no.: 109-059, 109-059H





# 40x40x56 mm

San Ace 40 9CRH type

## General Specifications

- Material ..... Frame: Plastic (Flammability: UL 94V-0), Impeller: Plastic (Flammability: UL 94V-0)
- Expected life ..... See the table below. (L10 life: 90% survival rate for continuous operation in free air at 60°C, rated voltage) Expected life at 40°C is for reference only.
- Motor protection function ..... Locked rotor burnout protection, Reverse polarity protection For details, please refer to p. 573.
- Dielectric strength ..... 50/60 Hz, 500 VAC, for 1 minute (between lead wire conductors and frame)
- Insulation resistance ..... 10 MΩ or more with a 500 VDC megger (between lead wire conductors and frame)
- Sound pressure level (SPL) ..... At 1 m away from the air inlet
- Storage temperature ..... -30 to +70°C (Non-condensing)
- Lead wire ..... Inlet ⊕Red ⊖Black (Sensor) Yellow (Control) Brown  
Outlet ⊕Orange ⊖Gray (Sensor) Purple (Control) White
- Mass ..... 110 g

## Specifications

The models listed below **have pulse sensors with PWM control function.**

Model no.	Rated voltage [V]	Operating voltage range [V]	PWM duty cycle [%]	Rated current [A]	Rated input [W]	Rated speed [min <sup>-1</sup> ]		Max. airflow [m <sup>3</sup> /min] [CFM]		Max. static pressure [Pa] [inchH <sub>2</sub> O]		SPL [dB (A)]	Operating temperature [°C]	Expected life [h]
						Inlet	Outlet							
9CRH0412P5J001	12	10.8 to 12.6	100	2.52	30.24	29500	25500	0.93	32.9	1700	6.83	70	-20 to +70	30000/60°C (53000/40°C)
			20	0.06	0.72	3000	2600	0.08	2.8	17	0.07	20		

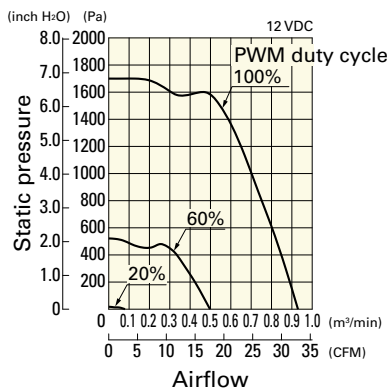
\* PWM input frequency is 25 kHz; models without specifications at 0% PWM duty cycle have zero fan speed at 0%.

The mark indicates Short LeadTime Service applicable models. See p. 626 for details.

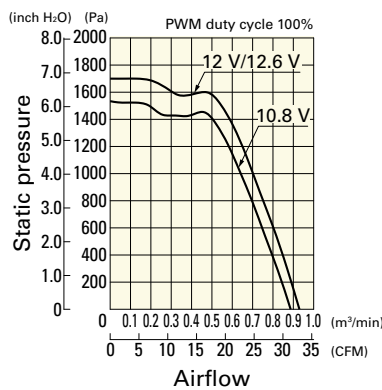
## Airflow - Static Pressure Characteristics / PWM Duty - Speed Characteristics Example

**9CRH0412P5J001** With pulse sensor with PWM control function

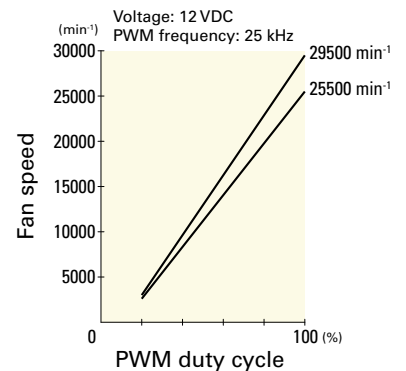
PWM duty cycle



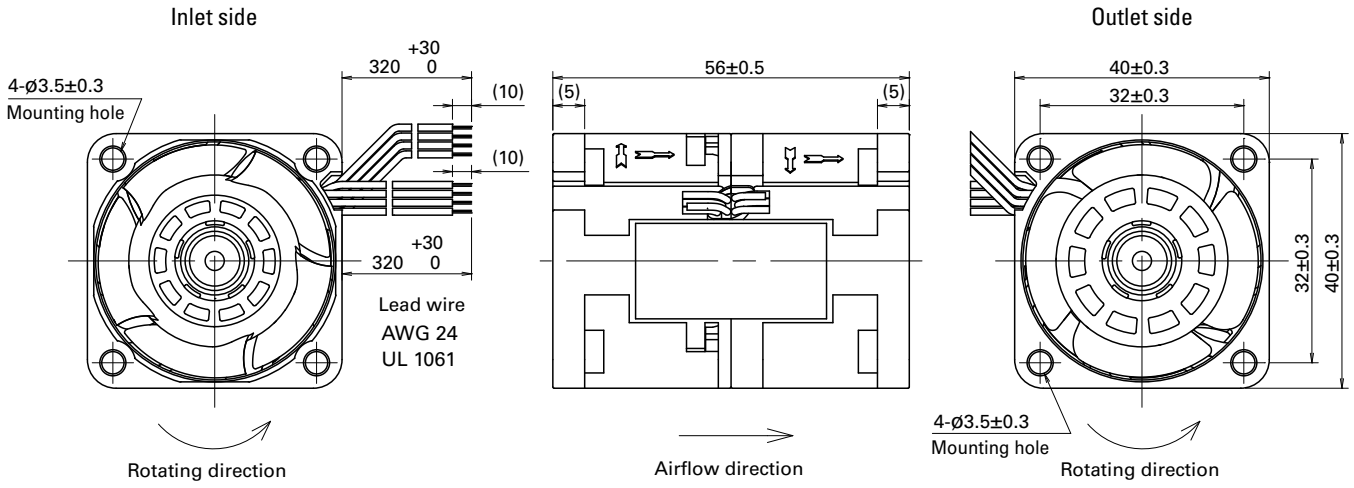
Operating voltage range



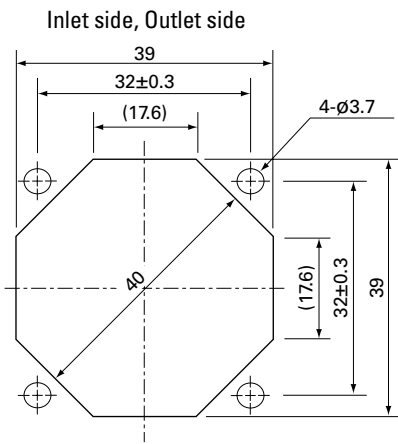
PWM duty - Speed characteristics example



**Dimensions (unit: mm)**



**Reference Dimensions of Mounting Holes and Vent Opening (unit: mm)**



**Options**

Finger guards

page: p. 558

Model no.: 109-059, 109-059H

# 40x40x56 mm



San Ace 40 9CRV type

## General Specifications

- Material ..... Frame: Plastic (Flammability: UL 94V-0), Impeller: Plastic (Flammability: UL 94V-0)
- Expected life ..... See the table below. (L10 life: 90% survival rate for continuous operation in free air at 60°C, rated voltage) Expected life at 40°C is for reference only.
- Motor protection function ..... Locked rotor burnout protection, Reverse polarity protection For details, please refer to p. 573.
- Dielectric strength ..... 50/60 Hz, 500 VAC, for 1 minute (between lead wire conductors and frame)
- Insulation resistance ..... 10 MΩ or more with a 500 VDC megger (between lead wire conductors and frame)
- Sound pressure level (SPL) ..... At 1 m away from the air inlet
- Storage temperature ..... -30 to +70°C (Non-condensing)
- Lead wire ..... Inlet ⊕Red ⊖Black (Sensor) Yellow (Control) Brown  
Outlet ⊕Orange ⊖Gray (Sensor) Purple (Control) White
- Mass ..... 100 g

## Specifications

The models listed below **have pulse sensors with PWM control function.**

Model no.	Rated voltage [V]	Operating voltage range [V]	PWM duty cycle [%]	Rated current [A]	Rated input [W]	Rated speed [min <sup>-1</sup> ]		Max. airflow [m <sup>3</sup> /min] [CFM]		Max. static pressure [Pa] [inchH <sub>2</sub> O]		SPL [dB (A)]	Operating temperature [°C]	Expected life [h]
						Inlet	Outlet							
9CRV0412P5J201	12	10.8 to 13.2	100	1.8	21.6	22500	20000	0.9	31.8	1050	4.22	68	-20 to +70	40000/60°C (70000/40°C)
			0	0.11	1.32	3800	3500	0.14	4.9	30	0.12	26		

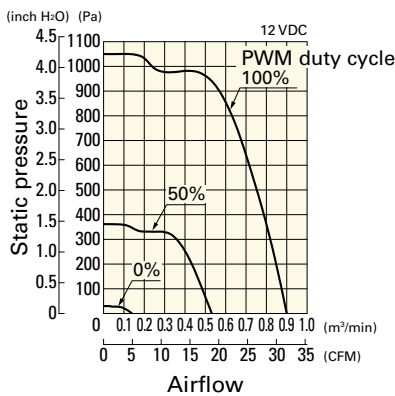
\* PWM input frequency is 25 kHz; models without specifications at 0% PWM duty cycle have zero fan speed at 0%.

The mark indicates Short Lead Time Service applicable models. See p. 626 for details.

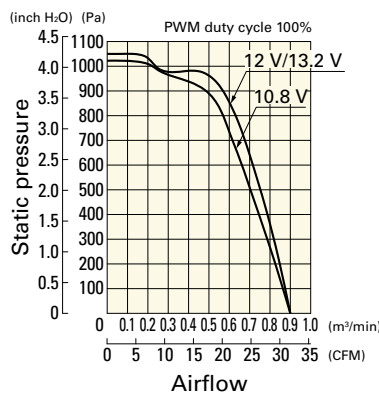
## Airflow - Static Pressure Characteristics / PWM Duty - Speed Characteristics Example

**9CRV0412P5J201** With pulse sensor with PWM control function

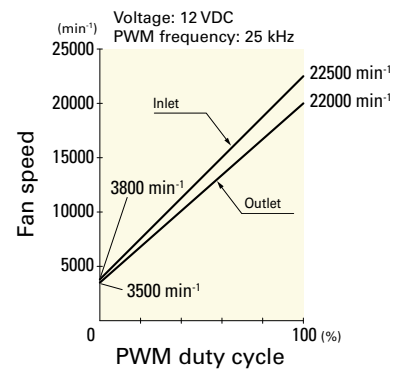
PWM duty cycle



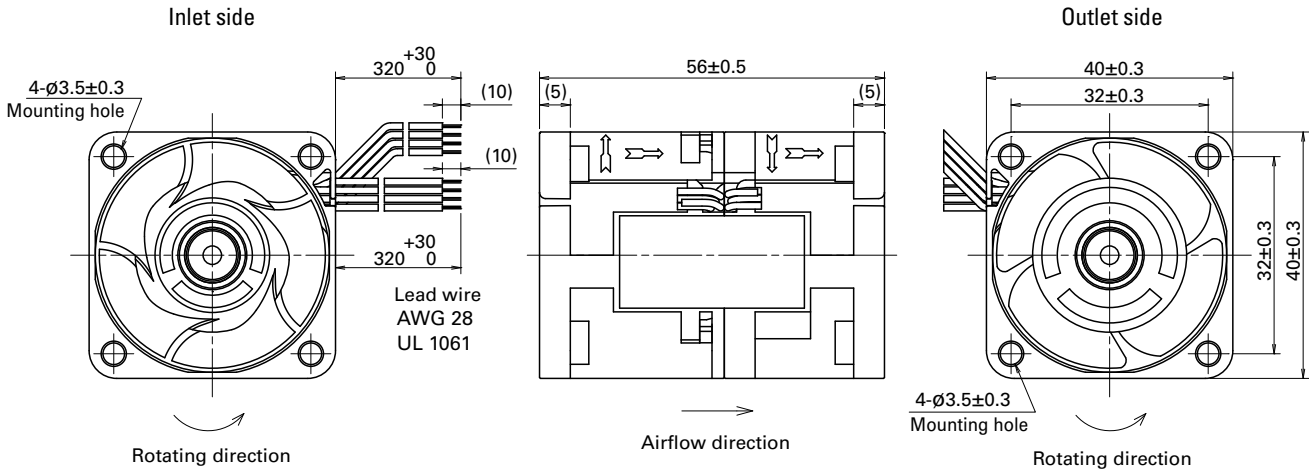
Operating voltage range



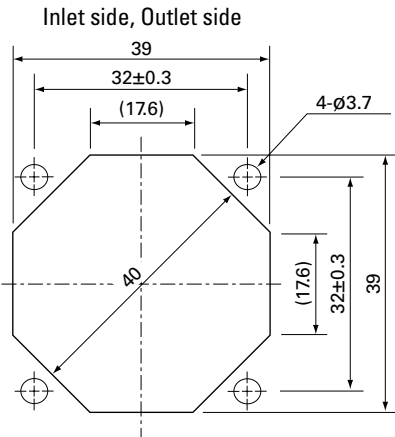
PWM duty - Speed characteristics example



**Dimensions (unit: mm)**



**Reference Dimensions of Mounting Holes and Vent Opening (unit: mm)**



**Options**

Finger guards

page: p. 558

Model no.: 109-059, 109-059H

# 40x40x56 mm



San Ace 40 9CRD type

## General Specifications

- Material ..... Frame: Plastic (Flammability: UL 94V-0), Impeller: Plastic (Flammability: UL 94V-0)
- Expected life ..... See the table below. (L10 life: 90% survival rate for continuous operation in free air at 60°C, rated voltage) Expected life at 40°C is for reference only.
- Motor protection function ..... Locked rotor burnout protection, Reverse polarity protection For details, please refer to p. 573.
- Dielectric strength ..... 50/60 Hz, 500 VAC, for 1 minute (between lead wire conductors and frame)
- Insulation resistance ..... 10 MΩ or more with a 500 VDC megger (between lead wire conductors and frame)
- Sound pressure level (SPL) ..... At 1 m away from the air inlet
- Storage temperature ..... -30 to +70°C (Non-condensing)
- Lead wire ..... Inlet ⊕Red ⊖Black (Sensor) Yellow (Control) Brown  
Outlet ⊕Orange ⊖Gray (Sensor) Purple (Control) White
- Mass ..... 90 g

## Specifications

The models listed below **have pulse sensors with PWM control function.**

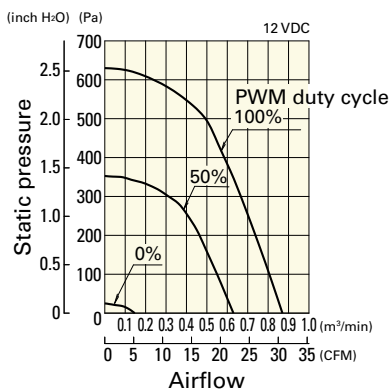
Model no.	Rated voltage [V]	Operating voltage range [V]	PWM duty cycle [%]	Rated current [A]	Rated input [W]	Rated speed [min <sup>-1</sup> ]		Max. airflow [m <sup>3</sup> /min] [CFM]		Max. static pressure [Pa] [inchH <sub>2</sub> O]		SPL [dB (A)]	Operating temperature [°C]	Expected life [h]
						Inlet	Outlet	Inlet	Outlet	Inlet	Outlet			
9CRD0412P5J03	12	10.8 to 13.2	100	1.15	13.8	19000	12600	0.87	30.72	630	2.53	61	-20 to +70	40000/60°C (70000/40°C)
			0	0.12	1.44	3700	2500	0.15	5.3	25	0.1	22		
9CRD0412P5G03			100	0.9	10.8	16700	11250	0.77	27.19	500	2.01	58		
			0	0.1	1.2	3350	2250	0.13	4.59	21	0.08	21		
9CRD0412P5H03			100	0.6	7.2	15000	10000	0.7	24.72	410	1.65	56		
			0	0.09	1.08	3000	2000	0.12	4.24	16	0.06	20		
9CRD0412P5M03			100	0.52	6.24	14000	9300	0.65	22.95	360	1.45	54		
			0	0.07	0.84	2000	1300	0.07	2.47	7	0.03	15		

\* PWM input frequency is 25 kHz; models without specifications at 0% PWM duty cycle have zero fan speed at 0%.

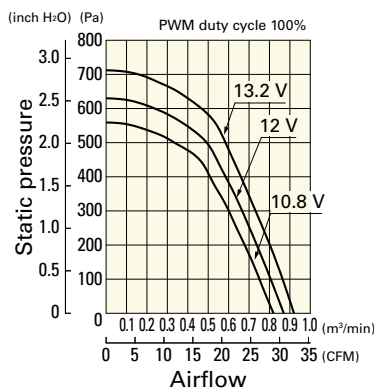
## Airflow - Static Pressure Characteristics / PWM Duty - Speed Characteristics Example

**9CRD0412P5J03** With pulse sensor with PWM control function

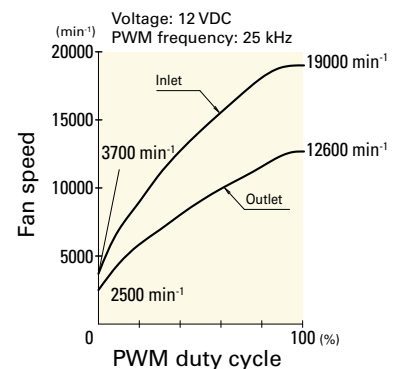
PWM duty cycle



Operating voltage range



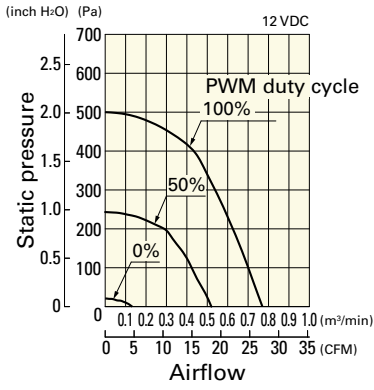
PWM duty - Speed characteristics example



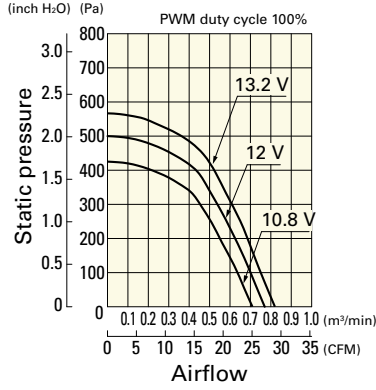
**Airflow - Static Pressure Characteristics / PWM Duty - Speed Characteristics Example**

**9CRD0412P5G03** With pulse sensor with PWM control function

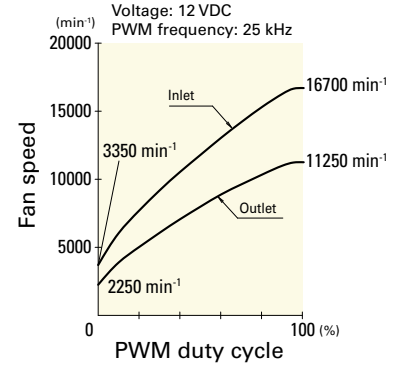
PWM duty cycle



Operating voltage range

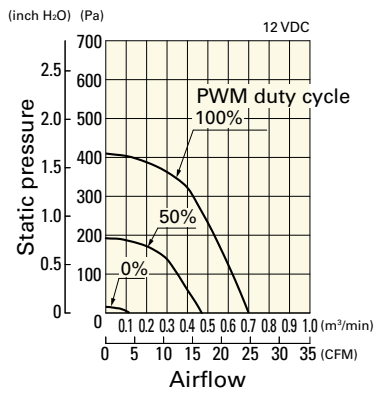


PWM duty - Speed characteristics example

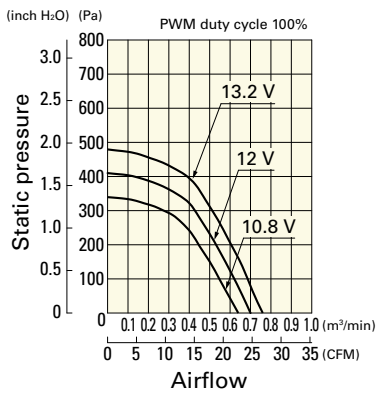


**9CRD0412P5H03** With pulse sensor with PWM control function

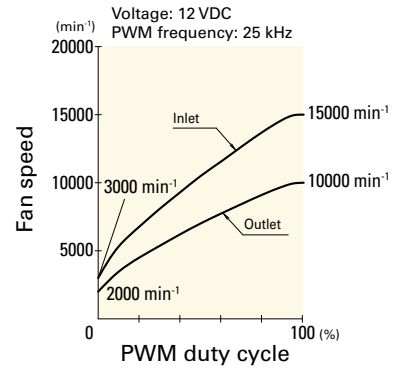
PWM duty cycle



Operating voltage range

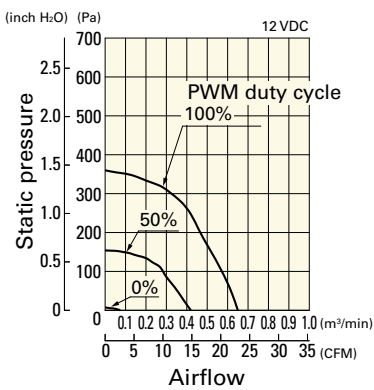


PWM duty - Speed characteristics example

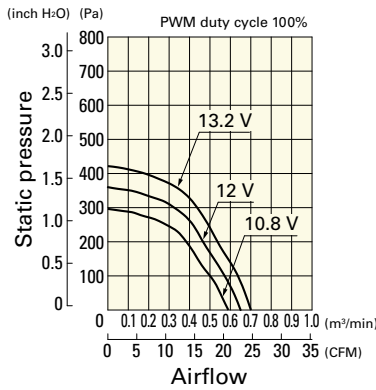


**9CRD0412P5M03** With pulse sensor with PWM control function

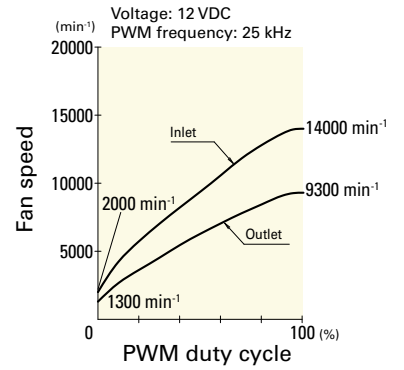
PWM duty cycle



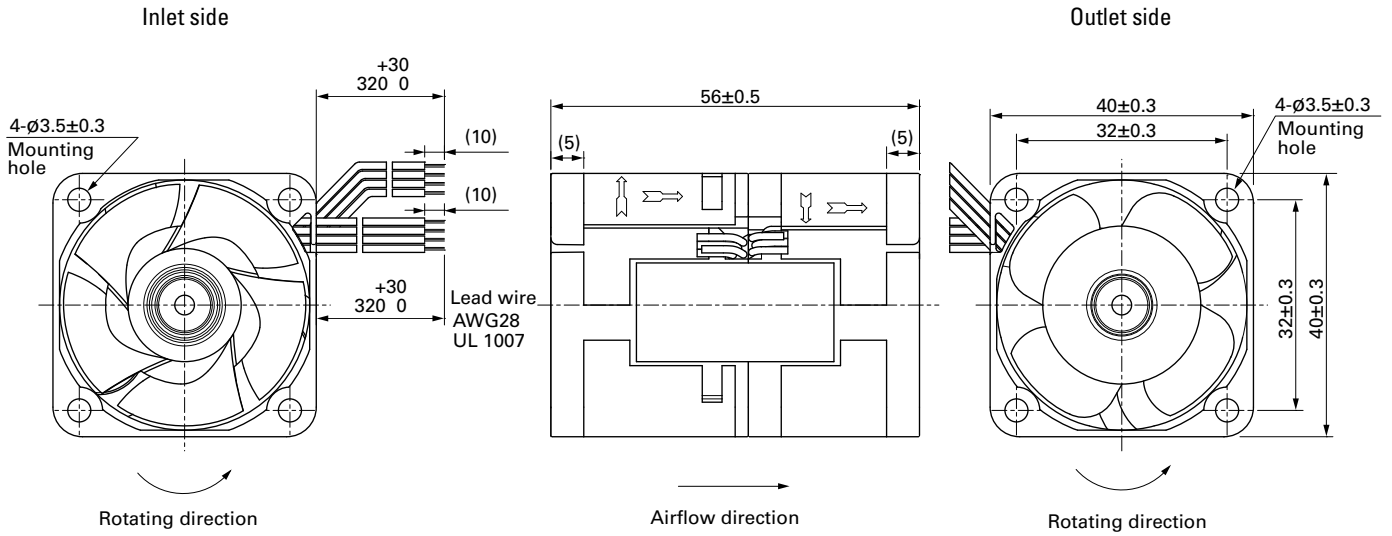
Operating voltage range



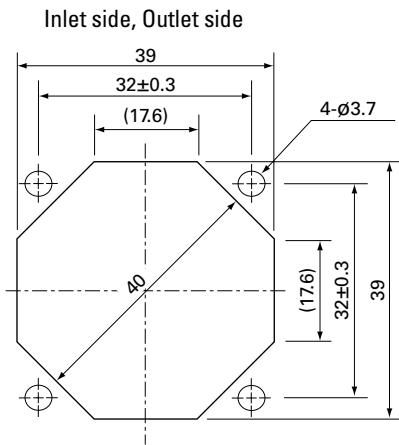
PWM duty - Speed characteristics example



**Dimensions (unit: mm)**



**Reference Dimensions of Mounting Holes and Vent Opening (unit: mm)**



**Options**

Finger guards

page: p. 558

Model no.: 109-059, 109-059H



# 40x40x56 mm

San Ace 40 9CRE type

## General Specifications

- Material ..... Frame: Aluminum, Impeller: Plastic (Flammability: UL 94V-0)
- Expected life ..... See the table below. (L10 life: 90% survival rate for continuous operation in free air at 60°C, rated voltage) Expected life at 40°C is for reference only.
- Motor protection function ..... Locked rotor burnout protection, Reverse polarity protection For details, please refer to p. 573.
- Dielectric strength ..... 50/60 Hz, 500 VAC, for 1 minute (between lead wire conductors and frame)
- Insulation resistance ..... 10 MΩ or more with a 500 VDC megger (between lead wire conductors and frame)
- Sound pressure level (SPL) ..... At 1 m away from the air inlet
- Storage temperature ..... -30 to +70°C (Non-condensing)
- Lead wire ..... Inlet ⊕Red ⊖Black (Sensor) Yellow (Control) Brown  
Outlet ⊕Orange ⊖Gray (Sensor) Purple (Control) White
- Mass ..... 110 g

## Specifications

The models listed below **have pulse sensors with PWM control function.**

Model no.	Rated voltage [V]	Operating voltage range [V]	PWM duty cycle [%]	Rated current [A]	Rated input [W]	Rated speed [min <sup>-1</sup> ]		Max. airflow [m <sup>3</sup> /min] [CFM]		Max. static pressure [Pa] [inchH <sub>2</sub> O]		SPL [dB (A)]	Operating temperature [°C]	Expected life [h]
						Inlet	Outlet	Inlet	Outlet	Inlet	Outlet			
9CRE0412P5J03	12	10.8 to 13.2	100	1.4	16.8	15800	12200	0.9	31.8	570.0	2.29	62	-20 to +70	40000/60°C (70000/40°C)
			0	0.1	1.2	2850	2250	0.12	4.2	13.7	0.055	20.5		

\* PWM input frequency is 25 kHz; models without specifications at 0% PWM duty cycle have zero fan speed at 0%.

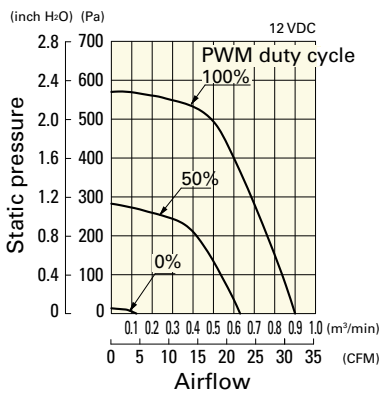
The following sensor and control options are available for selection.

Available for all models. **Without sensor**

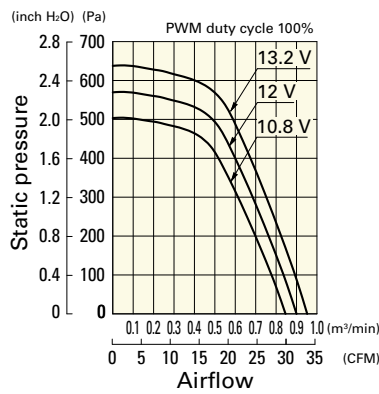
## Airflow - Static Pressure Characteristics / PWM Duty - Speed Characteristics Example

**9CRE0412P5J03** With pulse sensor with PWM control function

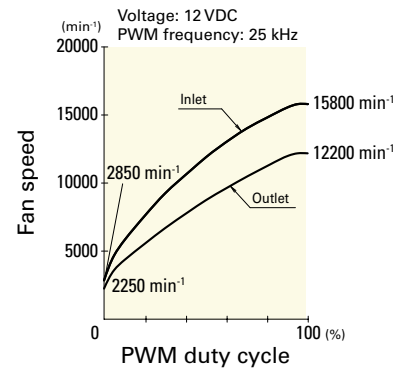
PWM duty cycle



Operating voltage range

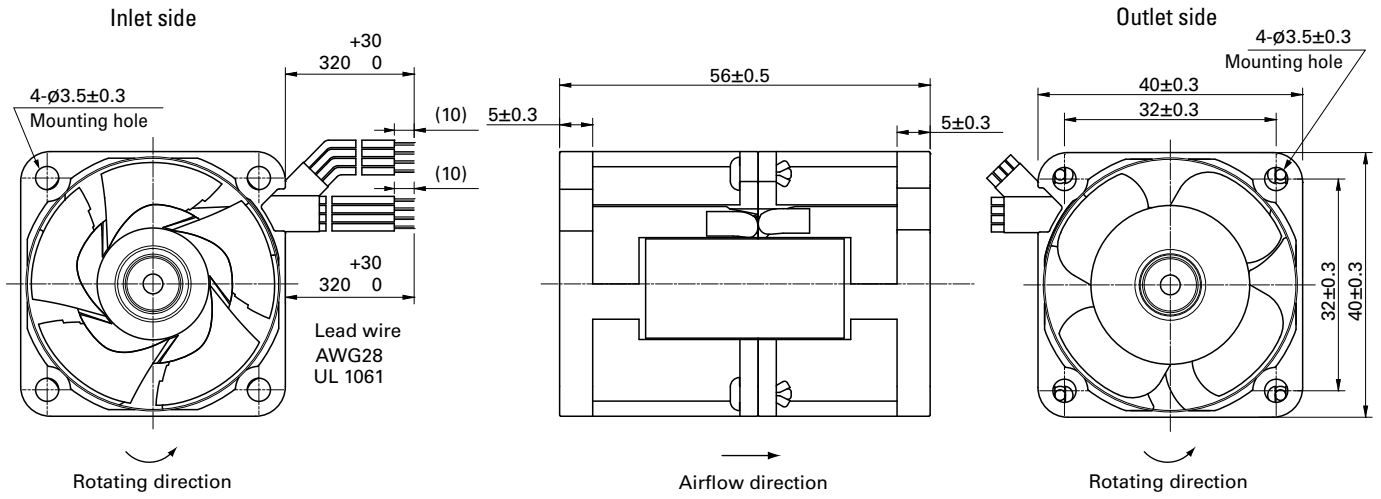


PWM duty - Speed characteristics example



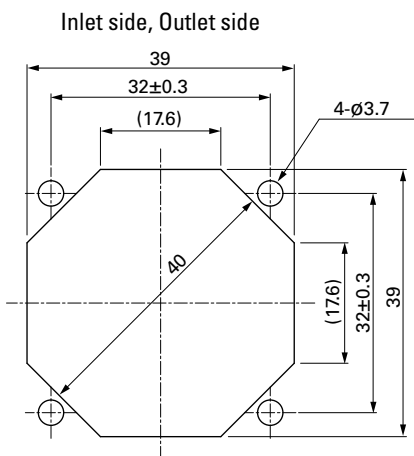


## Dimensions (unit: mm)



DC  
Counter Rotating Fan 40 mm sq.

## Reference Dimensions of Mounting Holes and Vent Opening (unit: mm)



## Options

Finger guards

page: p. 558

Model no.: 109-059, 109-059H



DC

Counter Rotating Fan 60 mm sq.

# 60×60×51 mm

San Ace 60 9CR type

## General Specifications

- Material ..... Frame: Plastic (Flammability: UL 94V-0), Impeller: Plastic (Flammability: UL 94V-1)
- Expected life ..... See the table below. (L10 life: 90% survival rate for continuous operation in free air at 60°C, rated voltage) Expected life at 40°C is for reference only.
- Motor protection function ..... Locked rotor burnout protection, Reverse polarity protection For details, please refer to p. 573.
- Dielectric strength ..... 50/60 Hz, 500 VAC, for 1 minute (between lead wire conductors and frame)
- Insulation resistance ..... 10 MΩ or more with a 500 VDC megger (between lead wire conductors and frame)
- Sound pressure level (SPL) ..... At 1 m away from the air inlet
- Storage temperature ..... -30 to +70°C (Non-condensing)
- Lead wire ..... Inlet ⊕Red ⊖Black (Sensor) Yellow (Control) Brown  
Outlet ⊕Orange ⊖Gray (Sensor) Purple (Control) White
- Mass ..... 180 g

## Specifications

The models listed below **have pulse sensors with PWM control function.**

Model no.	Rated voltage [V]	Operating voltage range [V]	PWM duty cycle [%]	Rated current [A]	Rated input [W]	Rated speed [min <sup>-1</sup> ]		Max. airflow [m <sup>3</sup> /min] [CFM]		Max. static pressure [Pa] [inchH <sub>2</sub> O]		SPL [dB (A)]	Operating temperature [°C]	Expected life [h]
						Inlet	Outlet	Inlet	Outlet	Inlet	Outlet			
9CR0612P5G03	12	10.8 to 13.2	100	2.7	32.4	11500	9000	2.03	71.7	600	2.41	68	-20 to +70	40000/60°C (70000/40°C)
			0	0.22	2.64	3000	2300	0.48	16.9	40	0.16	34		
9CR0612P5H03			100	2.0	24.0	10500	8200	1.85	65.4	500	2.01	65		
			0	0.22	2.64	3000	2300	0.48	16.9	40	0.16	34		

\* PWM input frequency is 25 kHz; models without specifications at 0% PWM duty cycle have zero fan speed at 0%.

The following sensor and control options are available for selection.

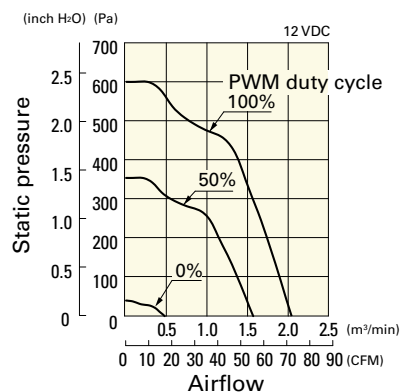
Available for all models. **Pulse sensor**

Differs according to the model. Refer to the table on p. 599. **Without sensor**

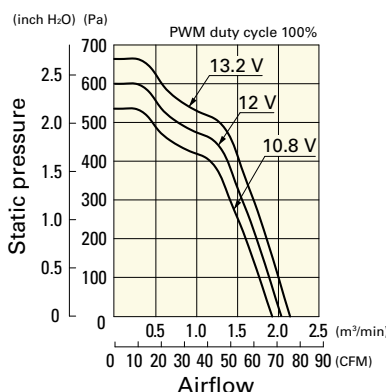
## Airflow - Static Pressure Characteristics / PWM Duty - Speed Characteristics Example

**9CR0612P5G03** With pulse sensor with PWM control function

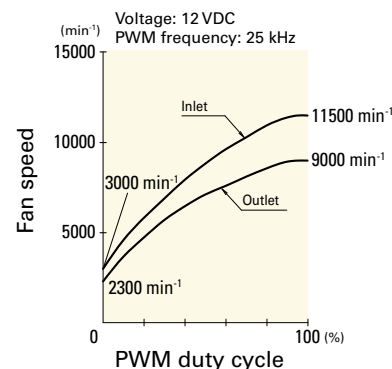
PWM duty cycle



Operating voltage range



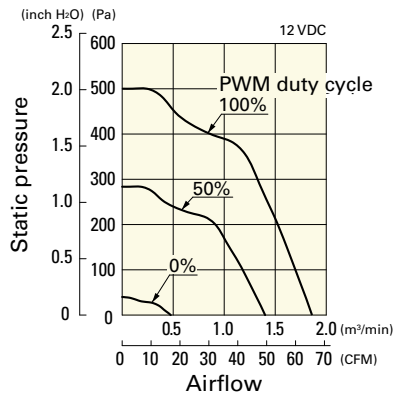
PWM duty - Speed characteristics example



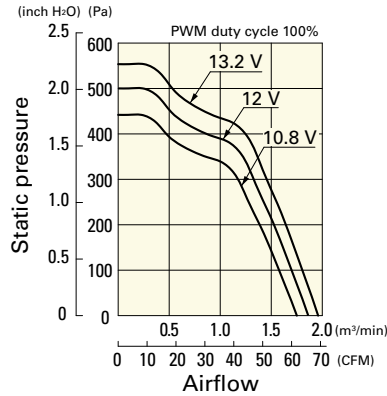
## Airflow - Static Pressure Characteristics / PWM Duty - Speed Characteristics Example

9CR0612P5H03 With pulse sensor with PWM control function

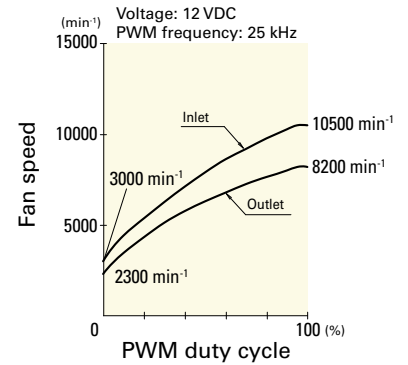
PWM duty cycle



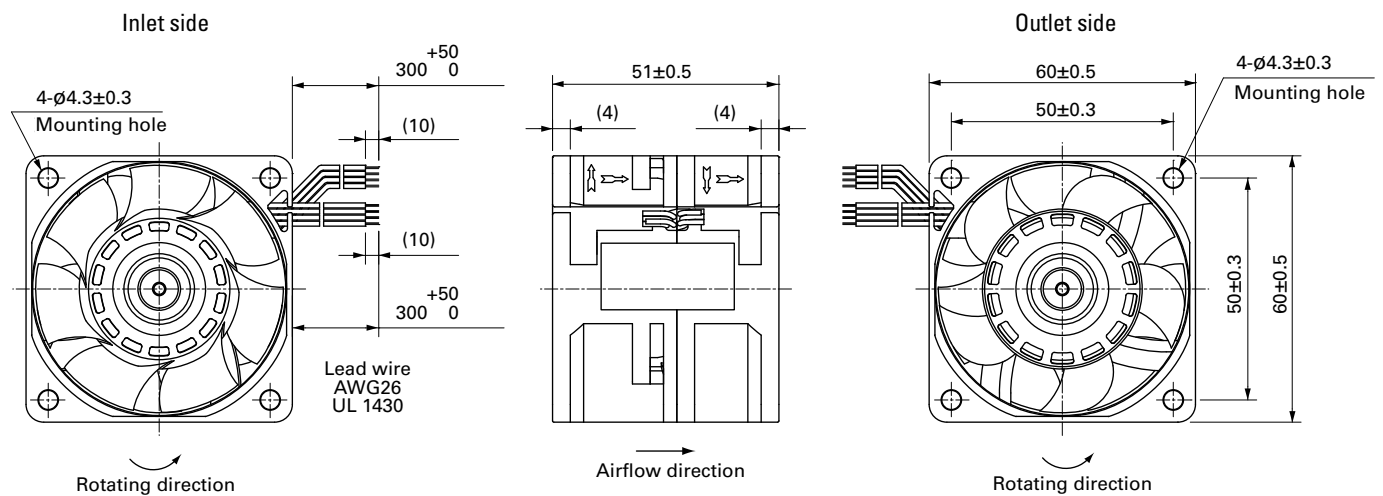
Operating voltage range



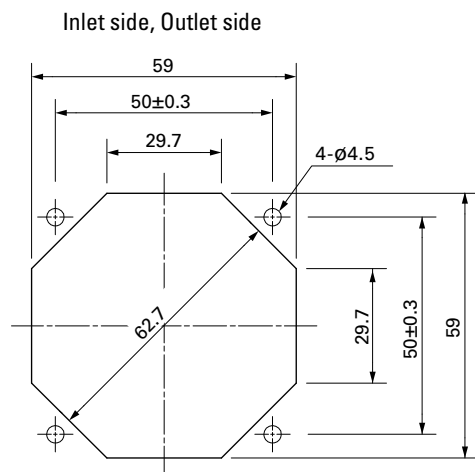
PWM duty - Speed characteristics example



## Dimensions (unit: mm)



## Reference Dimensions of Mounting Holes and Vent Opening (unit: mm)



## Options

Finger guards

page: p. 558

Model no.: 109-139E, 109-139H

Resin finger guards

page: p. 565

Model no.: 109-1003G

Resin filter kits

page: p. 566

Model no.: 109-1003F13 (13PPI), 109-1003F20 (20PPI),  
109-1003F30 (30PPI), 109-1003F40 (40PPI)



# 60×60×56 mm

San Ace 60 9CRA type

## General Specifications

- Material ..... Frame: Plastic (Flammability: UL 94V-0), Impeller: Plastic (Flammability: UL 94V-0)
- Expected life ..... See the table below. (L10 life: 90% survival rate for continuous operation in free air at 60°C, rated voltage) Expected life at 40°C is for reference only.
- Motor protection function ..... Locked rotor burnout protection, Reverse polarity protection For details, please refer to p. 573.
- Dielectric strength ..... 50/60 Hz, 500 VAC, for 1 minute (between lead wire conductors and frame)
- Insulation resistance ..... 10 MΩ or more with a 500 VDC megger (between lead wire conductors and frame)
- Sound pressure level (SPL) ..... At 1 m away from the air inlet
- Storage temperature ..... -30 to +70°C (Non-condensing)
- Lead wire ..... Inlet ⊕Red ⊖Black (Sensor) Yellow (Control) Brown  
Outlet ⊕Orange ⊖Gray (Sensor) Purple (Control) White
- Mass ..... 200 g

## Specifications

The models listed below **have pulse sensors with PWM control function.**

Model no.	Rated voltage [V]	Operating voltage range [V]	PWM duty cycle [%]	Rated current [A]	Rated input [W]	Rated speed [min <sup>-1</sup> ]		Max. airflow [m <sup>3</sup> /min] [CFM]		Max. static pressure [Pa] [inchH <sub>2</sub> O]		SPL [dB (A)]	Operating temperature [°C]	Expected life [h]
						Inlet	Outlet	Inlet	Outlet	Pa	inchH <sub>2</sub> O			
9CRA0612P6K001	12	10.8 to 13.2	100	3.1	37.2	18300	15800	2.28	80.5	1130	4.54	73	-20 to +70	30000/60°C (53000/40°C)
			0	0.17	2.0	3800	3300	0.47	16.6	49	0.2	35		
100			2.3	27.6	16800	14500	2.1	74.2	950	3.82	70			
9CRA0612P6J001			0	0.15	1.8	3800	3300	0.47	16.6	49	0.2	35		
			100	1.3	15.6	13500	11400	1.65	58.3	620	2.49	65		40000/60°C (70000/40°C)
9CRA0612P6G001			0	0.1	1.2	3000	2500	0.36	12.7	31	0.12	29		

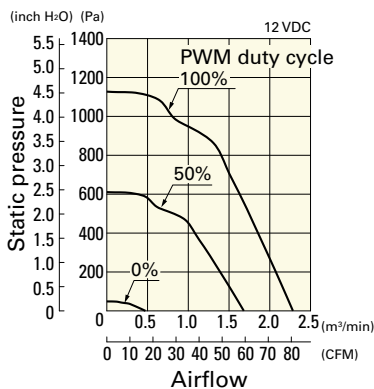
\* PWM input frequency is 25 kHz; models without specifications at 0% PWM duty cycle have zero fan speed at 0%.

The mark indicates Short LeadTime Service applicable models. See p. 626 for details.

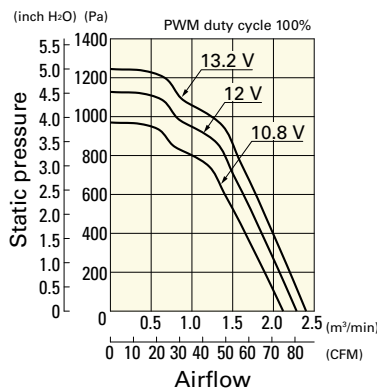
## Airflow - Static Pressure Characteristics / PWM Duty - Speed Characteristics Example

**9CRA0612P6K001** With pulse sensor with PWM control function

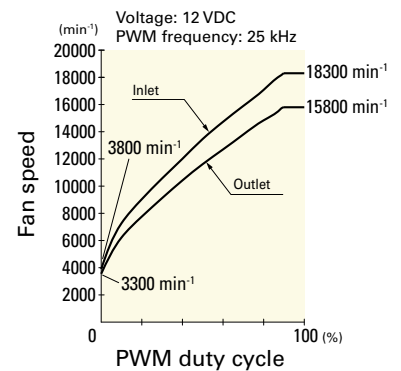
PWM duty cycle



Operating voltage range



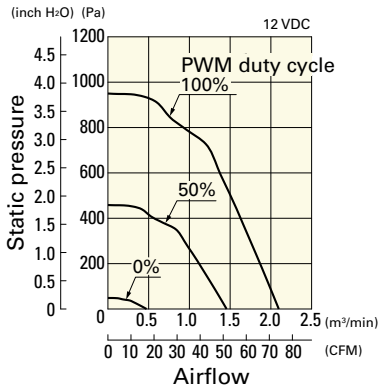
PWM duty - Speed characteristics example



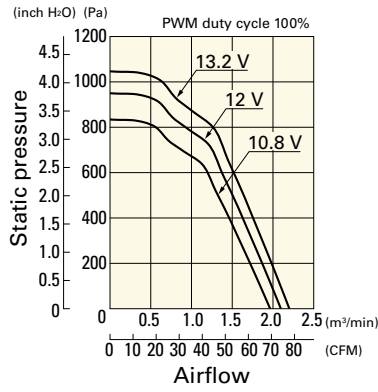
## Airflow - Static Pressure Characteristics / PWM Duty - Speed Characteristics Example

9CRA0612P6J001 With pulse sensor with PWM control function

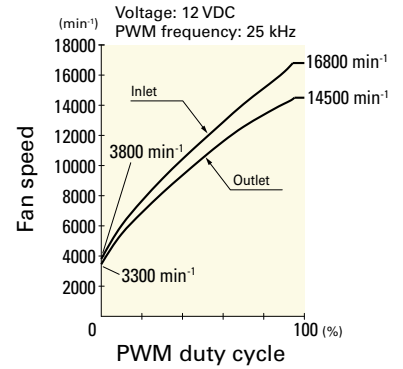
PWM duty cycle



Operating voltage range

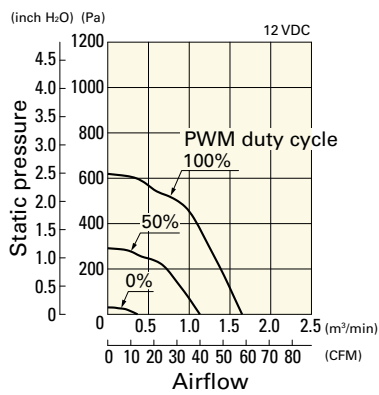


PWM duty - Speed characteristics example

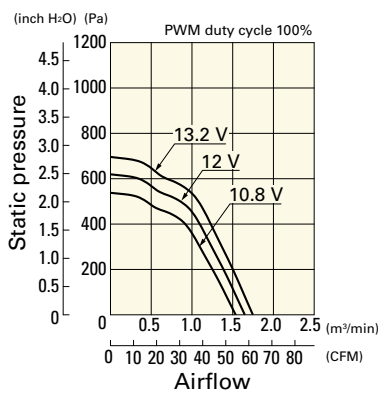


9CRA0612P6G001 With pulse sensor with PWM control function

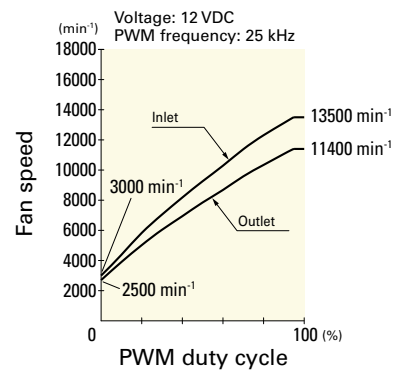
PWM duty cycle



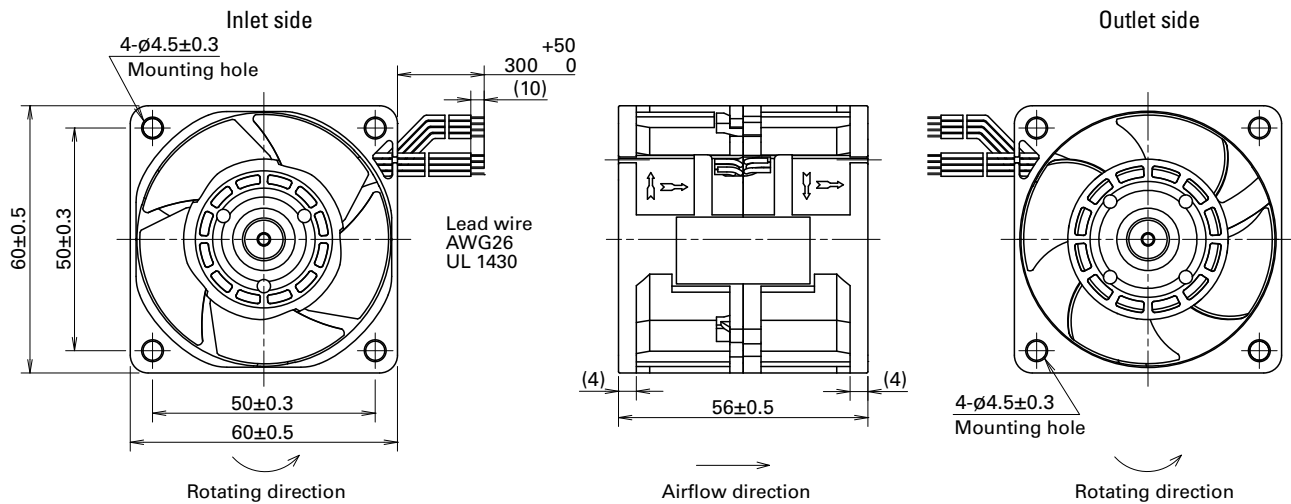
Operating voltage range

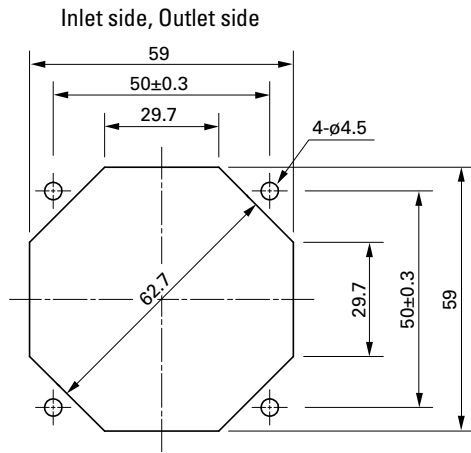


PWM duty - Speed characteristics example



## Dimensions (unit: mm)



**Reference Dimensions of Mounting Holes and Vent Opening (unit: mm)****Options****Finger guards**

page: p. 558

Model no.: 109-139E, 109-139H

**Resin finger guards**

page: p. 565

Model no.: 109-1003G

**Resin filter kits**

page: p. 566

Model no.: 109-1003F13 (13PPI), 109-1003F20 (20PPI),  
109-1003F30 (30PPI), 109-1003F40 (40PPI)

# 60x60x76 mm



San Ace 60 9CRE type

## General Specifications

- Material ..... Frame: Aluminum, Impeller: Plastic (Flammability: UL 94V-1)
- Expected life ..... See the table below. (L10 life: 90% survival rate for continuous operation in free air at 60°C, rated voltage)  
Expected life at 40°C is for reference only.
- Motor protection function ..... Locked rotor burnout protection, Reverse polarity protection  
For details, please refer to p. 573.
- Dielectric strength ..... 50/60 Hz, 500 VAC, for 1 minute (between lead wire conductors and frame)
- Insulation resistance ..... 10 MΩ or more with a 500 VDC megger (between lead wire conductors and frame)
- Sound pressure level (SPL) ..... At 1 m away from the air inlet
- Storage temperature ..... -30 to +70°C (Non-condensing)
- Lead wire ..... Inlet ⊕Red ⊖Black (Sensor) Yellow (Control) Brown  
Outlet ⊕Orange ⊖Gray (Sensor) Purple (Control) White
- Mass ..... 300 g

## Specifications

The models listed below **have pulse sensors with PWM control function.**

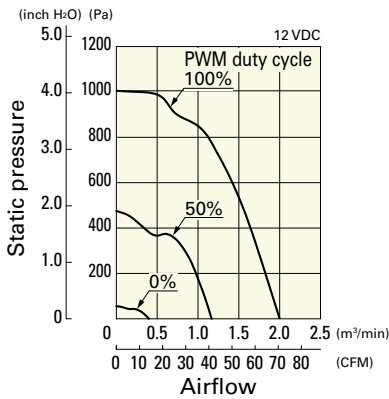
Model no.	Rated voltage [V]	Operating voltage range [V]	PWM duty cycle [%]	Rated current [A]	Rated input [W]	Rated speed [min <sup>-1</sup> ]		Max. airflow [m <sup>3</sup> /min] [CFM]		Max. static pressure [Pa] [inchH <sub>2</sub> O]		SPL [dB (A)]	Operating temperature [°C]	Expected life [h]
						Inlet	Outlet							
9CRE0612P0G001	12	10.8 to 13.2	100	2.3	27.6	16500	13000	2.0	70.6	1000	4.0	66	-20 to +70	40000/60°C (70000/40°C)
			0	0.22	2.7	3600	2800	0.43	15.1	47.6	0.19	32		

\* PWM input frequency is 25 kHz; models without specifications at 0% PWM duty cycle have zero fan speed at 0%.

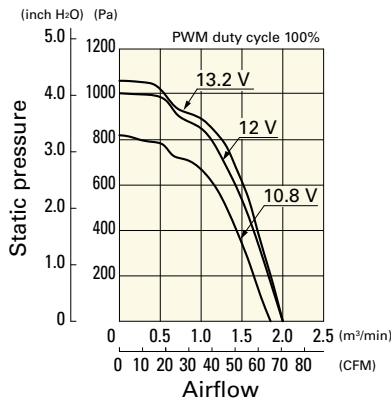
## Airflow - Static Pressure Characteristics / PWM Duty - Speed Characteristics Example

**9CRE0612P0G001** With pulse sensor with PWM control function

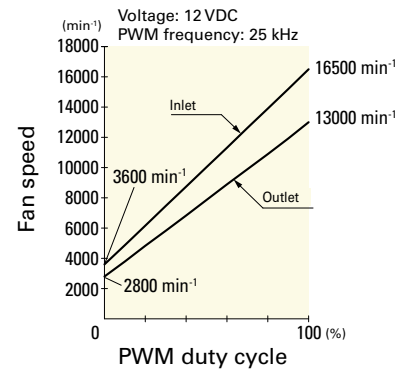
PWM duty cycle



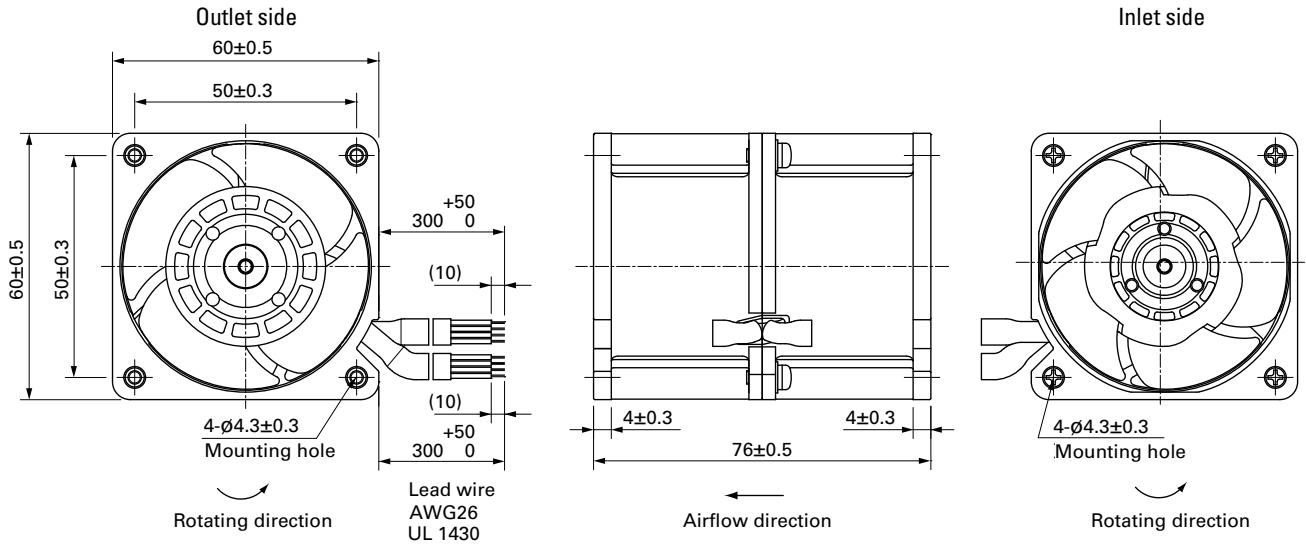
Operating voltage range



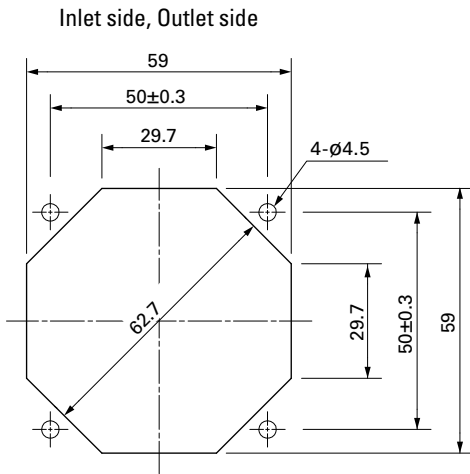
PWM duty - Speed characteristics example



**Dimensions (unit: mm)**



**Reference Dimensions of Mounting Holes and Vent Opening (unit: mm)**



**Options**

**Finger guards**

page: p. 558

Model no.: 109-139E, 109-139H

**Resin finger guards**

page: p. 565

Model no.: 109-1003G

**Resin filter kits**

page: p. 566

Model no.: 109-1003F13 (13PPI), 109-1003F20 (20PPI),  
109-1003F30 (30PPI), 109-1003F40 (40PPI)





# 60x60x76 mm

San Ace 60 9CRA type

## General Specifications

- Material ..... Frame: Plastic (Flammability: UL 94V-0), Impeller: Plastic (Flammability: UL 94V-0)
- Expected life ..... See the table below. (L10 life: 90% survival rate for continuous operation in free air at 60°C, rated voltage) Expected life at 40°C is for reference only.
- Motor protection function ..... Locked rotor burnout protection, Reverse polarity protection For details, please refer to p. 573.
- Dielectric strength ..... 50/60 Hz, 500 VAC, for 1 minute (between lead wire conductors and frame)
- Insulation resistance ..... 10 MΩ or more with a 500 VDC megger (between lead wire conductors and frame)
- Sound pressure level (SPL) ..... At 1 m away from the air inlet
- Storage temperature ..... -30 to +70°C (Non-condensing)
- Lead wire ..... Inlet ⊕Red ⊖Black (Sensor) Yellow (Control) Brown  
Outlet ⊕Orange ⊖Gray (Sensor) Purple (Control) White
- Mass ..... 270 g

## Specifications

The models listed below **have pulse sensors with PWM control function.**

Model no.	Rated voltage [V]	Operating voltage range [V]	PWM duty cycle [%]	Rated current [A]	Rated input [W]	Rated speed [min <sup>-1</sup> ]		Max. airflow [m <sup>3</sup> /min] [CFM]		Max. static pressure [Pa] [inchH <sub>2</sub> O]		SPL [dB (A)]	Operating temperature [°C]	Expected life [h]
						Inlet	Outlet	Inlet	Outlet	Inlet	Outlet			
9CRA0612P0G001	12	10.8 to 13.2	100	2.3	27.6	16500	13000	2.0	70.6	1000	4.0	66	-20 to +70	40000/60°C (70000/40°C)
			0	0.22	2.7	3600	2800	0.43	15.1	47.6	0.19	32		
100			1.5	18.0	14000	11000	1.7	60.0	720	2.89	63			
0			0.17	2.1	3200	2500	0.38	13.4	37.6	0.15	29			

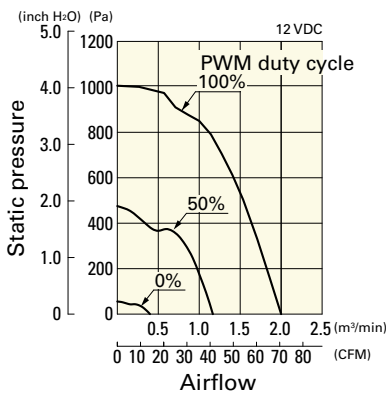
\* PWM input frequency is 25 kHz; models without specifications at 0% PWM duty cycle have zero fan speed at 0%.

The mark indicates Short Lead Time Service applicable models. See p. 626 for details.

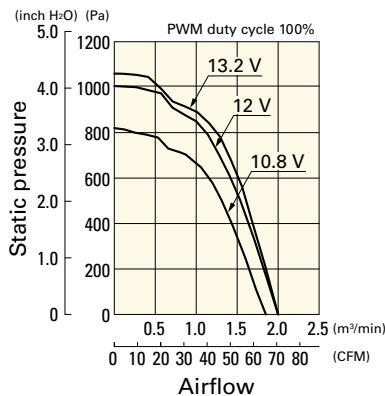
## Airflow - Static Pressure Characteristics / PWM Duty - Speed Characteristics Example

**9CRA0612P0G001** With pulse sensor with PWM control function

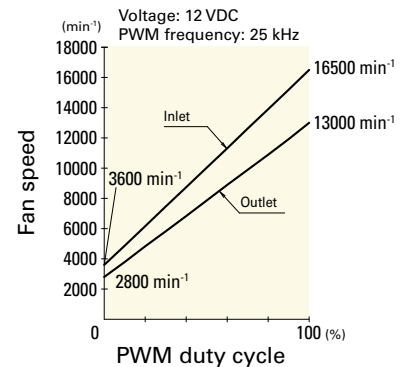
PWM duty cycle



Operating voltage range



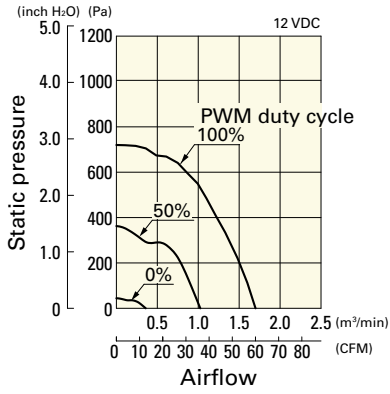
PWM duty - Speed characteristics example



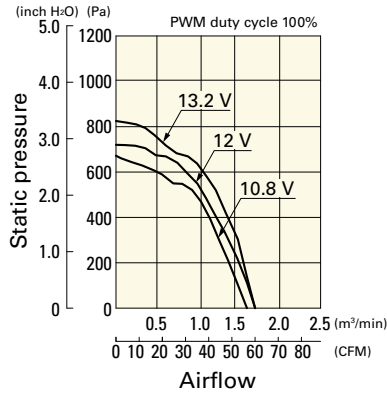
**Airflow - Static Pressure Characteristics / PWM Duty - Speed Characteristics Example**

**9CRA0612P0S001** With pulse sensor with PWM control function

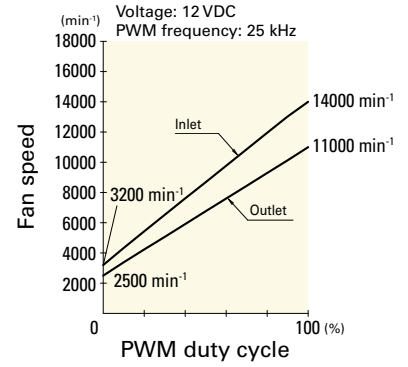
PWM duty cycle



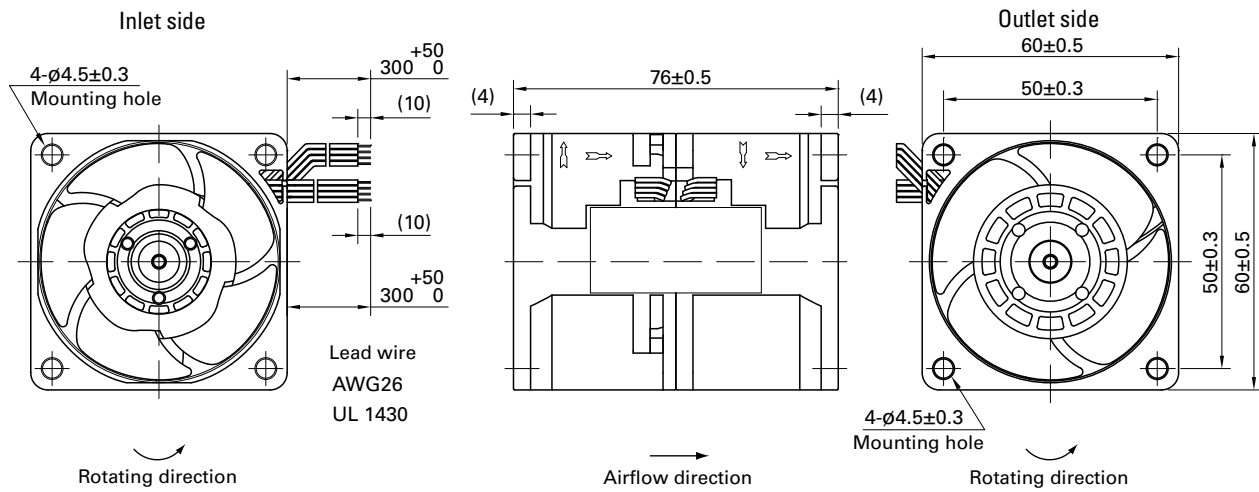
Operating voltage range



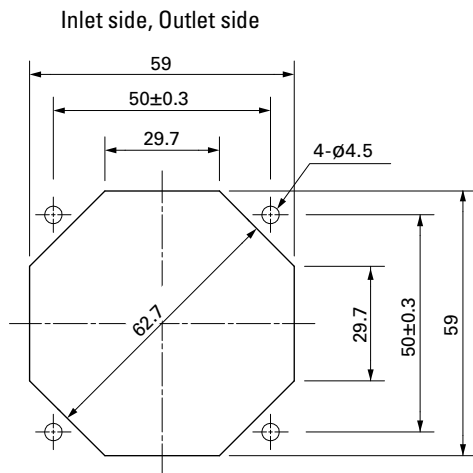
PWM duty - Speed characteristics example



**Dimensions (unit: mm)**



**Reference Dimensions of Mounting Holes and Vent Opening (unit: mm)**



**Options**

**Finger guards** page: p. 558  
Model no.: 109-139E, 109-139H

**Resin finger guards** page: p. 565  
Model no.: 109-1003G

**Resin filter kits** page: p. 566  
Model no.: 109-1003F13 (13PPI), 109-1003F20 (20PPI),  
109-1003F30 (30PPI), 109-1003F40 (40PPI)



# 80x80x80 mm

San Ace 80 9CRB type

## General Specifications

- Material ..... Frame: Plastic (Flammability: UL 94V-0), Impeller: Plastic (Flammability: UL 94V-0)
- Expected life ..... See the table below. (L10 life: 90% survival rate for continuous operation in free air at 60°C, rated voltage) Expected life at 40°C is for reference only.
- Motor protection function ..... Locked rotor burnout protection, Reverse polarity protection For details, please refer to p. 573.
- Dielectric strength ..... 50/60 Hz, 500 VAC, for 1 minute (between lead wire conductors and frame)
- Insulation resistance ..... 10 MΩ or more with a 500 VDC megger (between lead wire conductors and frame)
- Sound pressure level (SPL) ..... At 1 m away from the air inlet
- Storage temperature ..... -30 to +70°C (Non-condensing)
- Lead wire ..... Inlet ⊕Red ⊖Black (Sensor) Yellow (Control) Brown  
Outlet ⊕Orange ⊖Gray (Sensor) Purple (Control) White
- Mass ..... 430 g

## Specifications

The models listed below **have pulse sensors with PWM control function.**

Model no.	Rated voltage [V]	Operating voltage range [V]	PWM duty cycle [%]	Rated current [A]	Rated input [W]	Rated speed [min <sup>-1</sup> ]		Max. airflow [m <sup>3</sup> /min] [CFM]		Max. static pressure [Pa] [inchH <sub>2</sub> O]		SPL [dB (A)]	Operating temperature [°C]	Expected life [h]
						Inlet	Outlet	Inlet	Outlet	Pa	inchH <sub>2</sub> O			
9CRB0812P8G001	12	10.8 to 13.2	100	9.2	110.4	14600	12200	5.5	194	1150	4.6	80	-20 to +70	40000/60°C (70000/40°C)
			20	0.17	2.04	2000	1670	0.7	24.7	21.6	0.09	24		

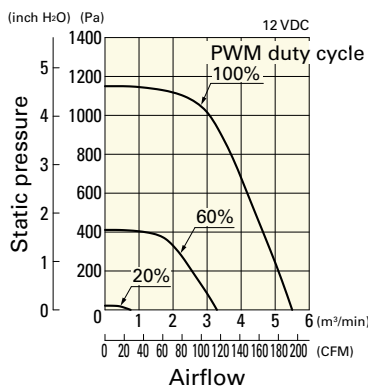
\* PWM input frequency is 25 kHz; models without specifications at 0% PWM duty cycle have zero fan speed at 0%.

The mark indicates Short Lead Time Service applicable models. See p. 626 for details.

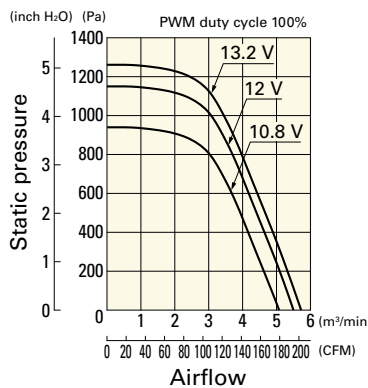
## Airflow - Static Pressure Characteristics / PWM Duty - Speed Characteristics Example

**9CRB0812P8G001** With pulse sensor with PWM control function

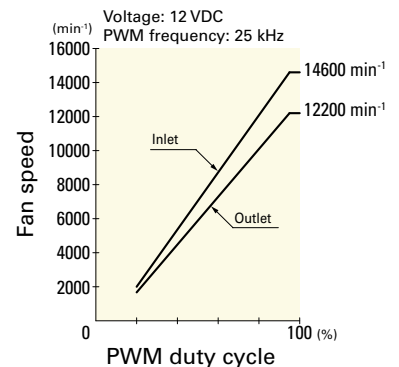
PWM duty cycle



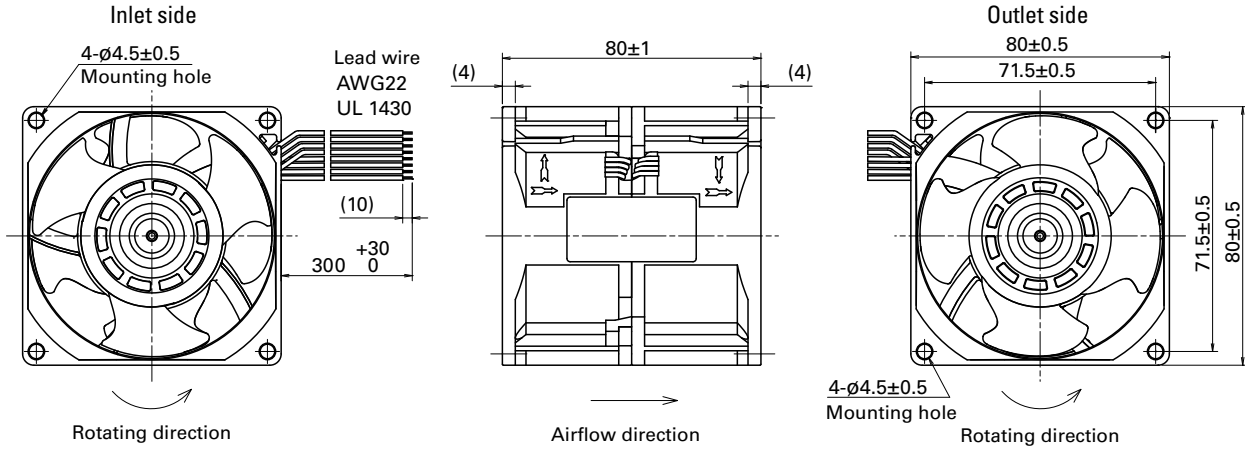
Operating voltage range



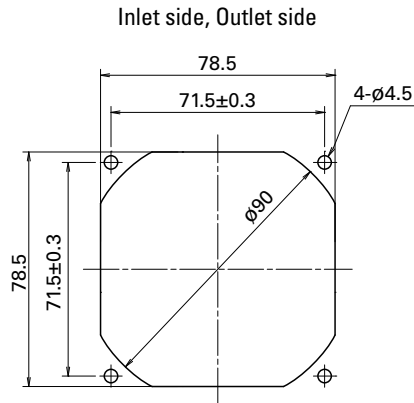
PWM duty - Speed characteristics example



**Dimensions (unit: mm)**



**Reference Dimensions of Mounting Holes and Vent Opening (unit: mm)**



**Options**

**Finger guards** page: p. 558  
 Model no.: 109-049E, 109-049H

**Resin finger guards** page: p. 565  
 Model no.: 109-1002G

**Resin filter kits** page: p. 566  
 Model no.: 109-1002F13 (13PPI), 109-1002F20 (20PPI),  
 109-1002F30 (30PPI), 109-1002F40 (40PPI)

# 80x80x80 mm

San Ace 80 9CRE type   US



## General Specifications

- Material ..... Frame: Aluminum, Impeller: Plastic (Flammability: UL 94V-1)
- Expected life ..... See the table below. (L10 life: 90% survival rate for continuous operation in free air at 60°C, rated voltage) Expected life at 40°C is for reference only.
- Motor protection function ..... Locked rotor burnout protection, Reverse polarity protection  
For details, please refer to p. 573.
- Dielectric strength ..... 50/60 Hz, 500 VAC, for 1 minute (between lead wire conductors and frame)
- Insulation resistance ..... 10 MΩ or more with a 500 VDC megger (between lead wire conductors and frame)
- Sound pressure level (SPL) ..... At 1 m away from the air inlet
- Storage temperature ..... -30 to +70°C (Non-condensing)
- Lead wire ..... Inlet ⊕Red ⊖Black (Sensor) Yellow (Control) Brown  
Outlet ⊕Orange ⊖Gray (Sensor) Purple (Control) White
- Mass ..... 490 g

## Specifications

The models listed below **have pulse sensors with PWM control function.**

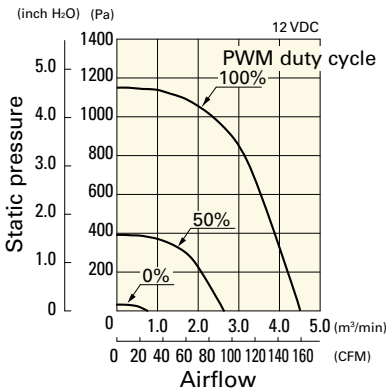
Model no.	Rated voltage [V]	Operating voltage range [V]	PWM duty cycle [%]	Rated current [A]	Rated input [W]	Rated speed [min <sup>-1</sup> ]		Max. airflow [m <sup>3</sup> /min] [CFM]		Max. static pressure [Pa] [inchH <sub>2</sub> O]		SPL [dB (A)]	Operating temperature [°C]	Expected life [h]
						Inlet	Outlet	Inlet	Outlet	Inlet	Outlet			
9CRE0812P8G001	12	10.8 to 13.2	100	5.3	63.6	12000	11300	4.5	158.9	1150	4.62	76	-20 to +70	40000/60°C (70000/40°C)
			0	0.2	2.4	2000	1900	0.74	26.1	31.9	0.13	30		

\* PWM input frequency is 25 kHz; models without specifications at 0% PWM duty cycle have zero fan speed at 0%.

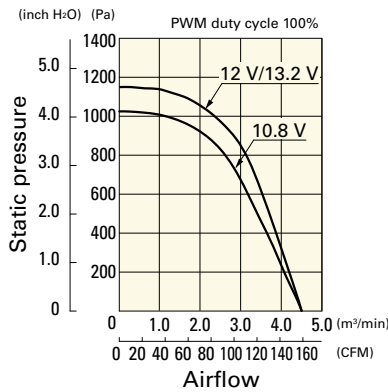
## Airflow - Static Pressure Characteristics / PWM Duty - Speed Characteristics Example

**9CRE0812P8G001** With pulse sensor with PWM control function

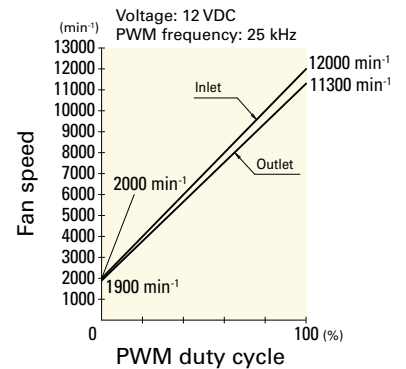
PWM duty cycle



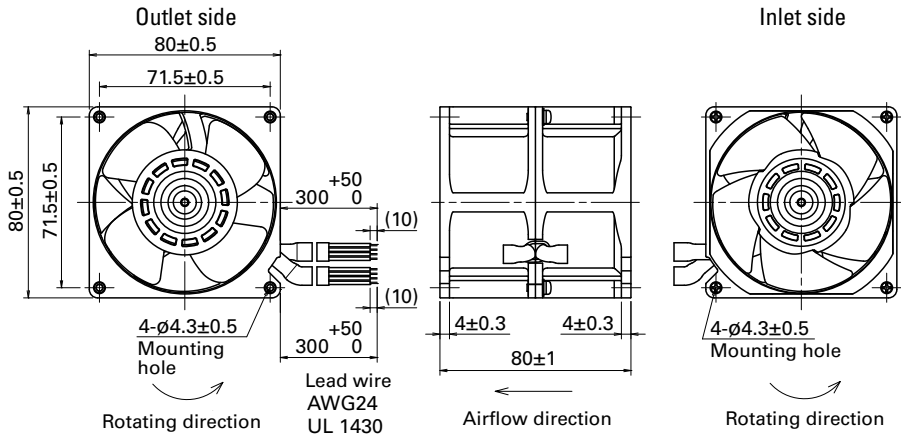
Operating voltage range



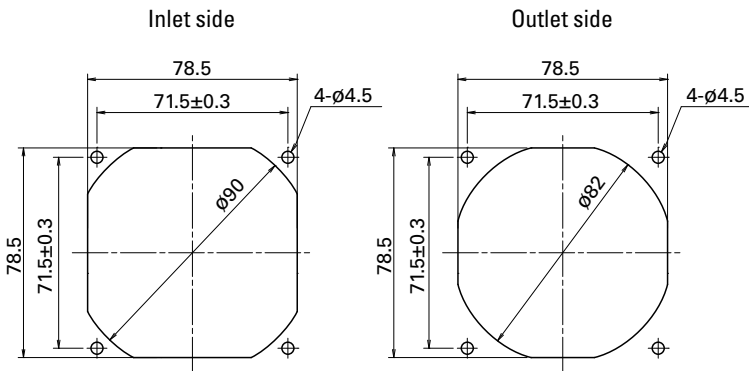
PWM duty - Speed characteristics example



**Dimensions (unit: mm)**



**Reference Dimensions of Mounting Holes and Vent Opening (unit: mm)**



**Options**

**Finger guards**

page: p. 558

Model no.: 109-049E, 109-049H

**Resin finger guards**

page: p. 565

Model no.: 109-1002G

**Resin filter kits**

page: p. 566

Model no.: 109-1002F13 (13PPI), 109-1002F20 (20PPI),  
109-1002F30 (30PPI), 109-1002F40 (40PPI)



# 80x80x80 mm

San Ace 80 9CRA type

## General Specifications

- Material ..... Frame: Plastic (Flammability: UL 94V-0), Impeller: Plastic (Flammability: UL 94V-0)
- Expected life ..... See the table below. (L10 life: 90% survival rate for continuous operation in free air at 60°C, rated voltage) Expected life at 40°C is for reference only.
- Motor protection function ..... Locked rotor burnout protection, Reverse polarity protection For details, please refer to p. 573.
- Dielectric strength ..... 50/60 Hz, 500 VAC, for 1 minute (between lead wire conductors and frame)
- Insulation resistance ..... 10 MΩ or more with a 500 VDC megger (between lead wire conductors and frame)
- Sound pressure level (SPL) ..... At 1 m away from the air inlet
- Storage temperature ..... -30 to +70°C (Non-condensing)
- Lead wire ..... Inlet ⊕Red ⊖Black (Sensor) Yellow (Control) Brown  
Outlet ⊕Orange ⊖Gray (Sensor) Purple (Control) White
- Mass ..... 450 g

## Specifications

The models listed below **have pulse sensors with PWM control function.**

Model no.	Rated voltage [V]	Operating voltage range [V]	PWM duty cycle [%]	Rated current [A]	Rated input [W]	Rated speed [min <sup>-1</sup> ]		Max. airflow [m <sup>3</sup> /min] [CFM]		Max. static pressure [Pa] [inchH <sub>2</sub> O]		SPL [dB (A)]	Operating temperature [°C]	Expected life [h]
						Inlet	Outlet	Inlet	Outlet	Inlet	Outlet			
9CRA0812P8G001	12	10.8 to 13.2	100	5.3	63.6	12000	11300	4.5	158.9	1150	4.62	76	-20 to +70	40000/60°C (70000/40°C)
			0	0.2	2.4	2000	1900	0.74	26.1	31.9	0.13			
9CRA0824P8G001	24	21.6 to 26.4	100	2.65	63.6	12000	11300	4.5	158.9	1150	4.62	76		
			0	0.09	2.16	2000	1900	0.74	26.1	31.9	0.13	30		
9CRA0848P8G001	48	40.8 to 55.2	100	1.32	63.4	12000	11300	4.5	158.9	1150	4.62	76		
			0	0.29	13.9	5000	4700	1.88	66.2	200	0.8	52		

\* PWM input frequency is 25 kHz; models without specifications at 0% PWM duty cycle have zero fan speed at 0%.

The following sensor and control options are available for selection.

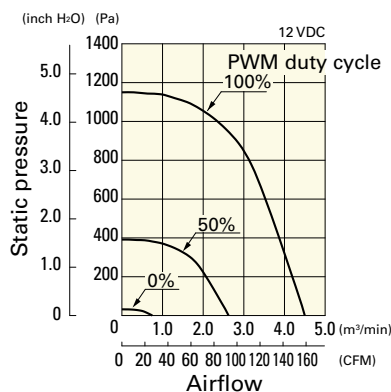
Differs according to the model. Refer to the table on p. 599. **Pulse sensor**

The mark indicates Short Lead Time Service applicable models. See p. 626 for details.

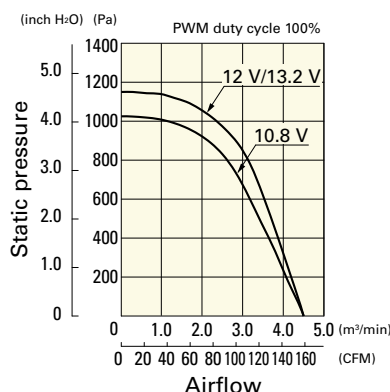
## Airflow - Static Pressure Characteristics / PWM Duty - Speed Characteristics Example

**9CRA0812P8G001** With pulse sensor with PWM control function

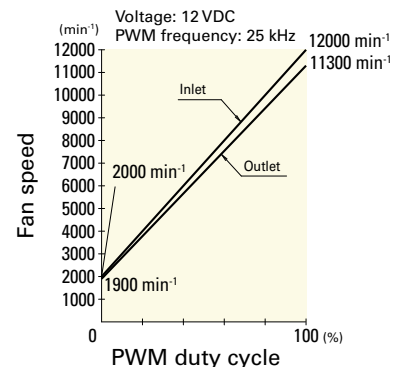
PWM duty cycle



Operating voltage range



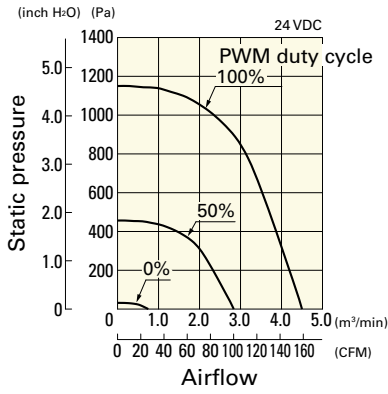
PWM duty - Speed characteristics example



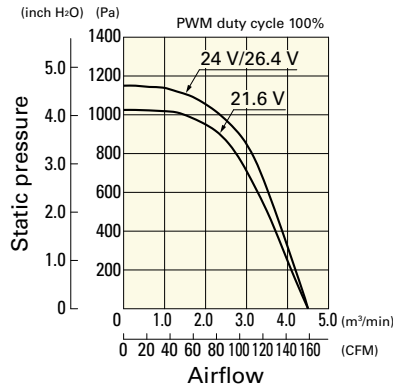
## Airflow - Static Pressure Characteristics / PWM Duty - Speed Characteristics Example

**9CRA0824P8G001** With pulse sensor with PWM control function

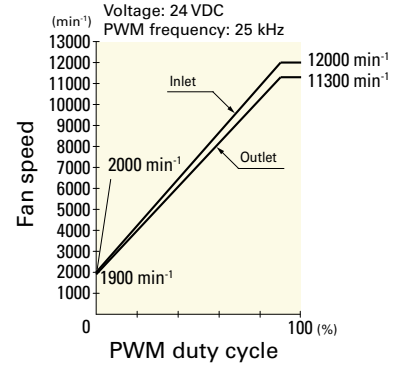
PWM duty cycle



Operating voltage range

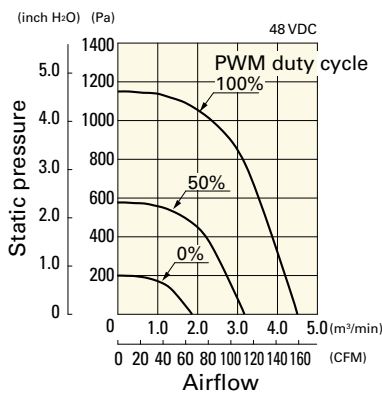


PWM duty - Speed characteristics example

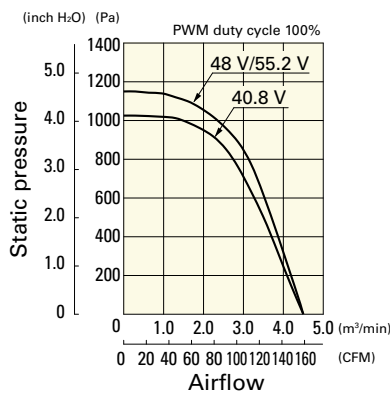


**9CRA0848P8G001** With pulse sensor with PWM control function

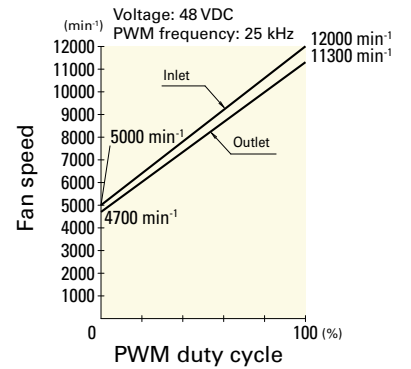
PWM duty cycle



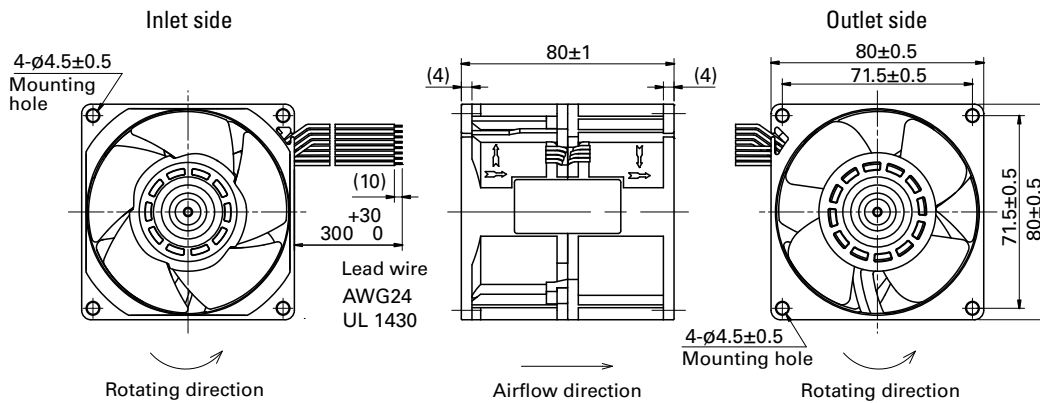
Operating voltage range



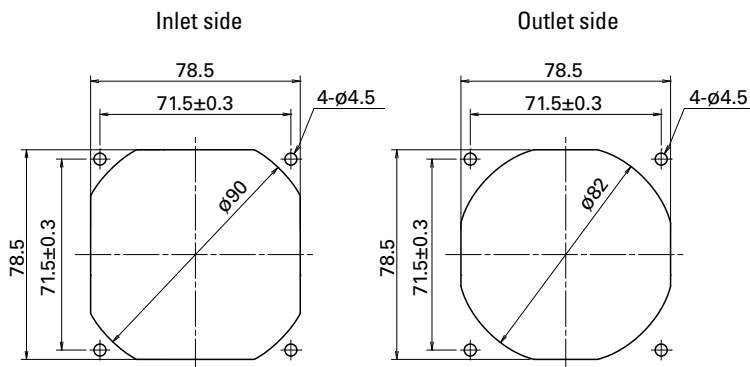
PWM duty - Speed characteristics example



## Dimensions (unit: mm)



## Reference Dimensions of Mounting Holes and Vent Opening (unit: mm)





## Options

### Finger guards

page: p. 558

Model no.: 109-049E, 109-049H

### Resin finger guards

page: p. 565

Model no.: 109-1002G

### Resin filter kits

page: p. 566

Model no.: 109-1002F13 (13PPI), 109-1002F20 (20PPI),  
109-1002F30 (30PPI), 109-1002F40 (40PPI)



DC

Counter Rotating Fan 92 mm sq.

# 92x92x76 mm

San Ace 92 9CRA type US

## General Specifications

- Material ..... Frame: Plastic (Flammability: UL 94V-0), Impeller: Plastic (Flammability: UL 94V-0)
- Expected life ..... See the table below. (L10 life: 90% survival rate for continuous operation in free air at 60°C, rated voltage) Expected life at 40°C is for reference only.
- Motor protection function ..... Locked rotor burnout protection, Reverse polarity protection For details, please refer to p. 573.
- Dielectric strength ..... 50/60 Hz, 500 VAC, for 1 minute (between lead wire conductors and frame)
- Insulation resistance ..... 10 MΩ or more with a 500 VDC megger (between lead wire conductors and frame)
- Sound pressure level (SPL) ..... At 1 m away from the air inlet
- Storage temperature ..... -30 to +70°C (Non-condensing)
- Lead wire ..... Inlet ⊕Red ⊖Black (Sensor) Yellow (Control) Brown  
Outlet ⊕Orange ⊖Gray (Sensor) Purple (Control) White
- Mass ..... 510 g

## Specifications

The models listed below **have pulse sensors with PWM control function.**

Model no.	Rated voltage [V]	Operating voltage range [V]	PWM duty cycle* [%]	Rated current [A]	Rated input [W]	Rated speed [min <sup>-1</sup> ]		Max. airflow [m <sup>3</sup> /min] [CFM]		Max. static pressure [Pa] [inchH <sub>2</sub> O]		SPL [dB (A)]	Operating temperature [°C]	Expected life [h]
						Inlet	Outlet	Inlet	Outlet	Pa	inchH <sub>2</sub> O			
» 9CRA0912P0G001	12	10.2 to 13.2	100	9.0	108.0	13300	12200	5.8	205	1650	6.63	81	-20 to +70	40000/60°C (70000/40°C)
			20	0.42	5.04	3500	3200	1.48	52.3	140	0.56			
» 9CRA0948P0G601	48	36 to 60	100	2.2	105.6	13300	12200	5.8	205	1650	6.63	81	-20 to +70	40000/60°C (70000/40°C)
			20	0.15	7.2	3500	3200	1.48	52.3	140	0.56			

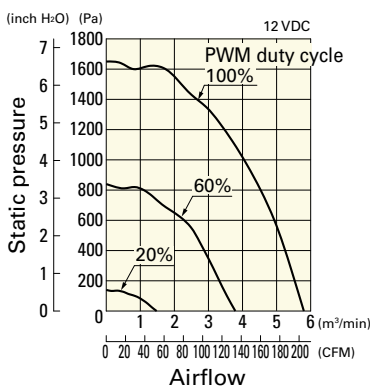
\* PWM input frequency is 25 kHz; models without specifications at 0% PWM duty cycle have zero fan speed at 0%.

The » mark indicates Short LeadTime Service applicable models. See p. 626 for details.

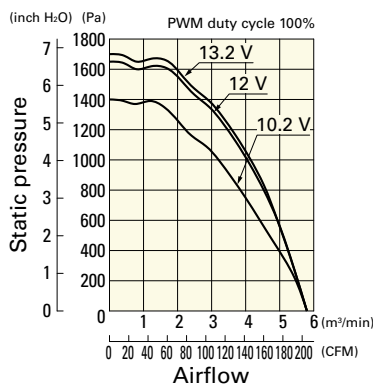
## Airflow - Static Pressure Characteristics / PWM Duty - Speed Characteristics Example

**9CRA0912P0G001** With pulse sensor with PWM control function

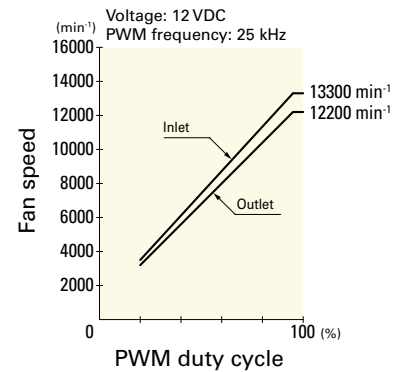
PWM duty cycle



Operating voltage range



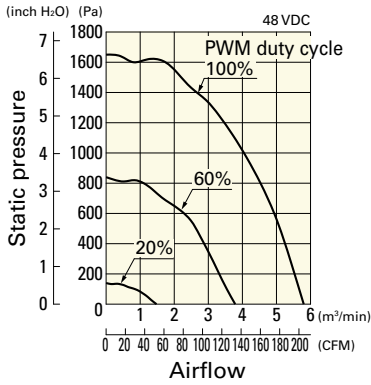
PWM duty - Speed characteristics example



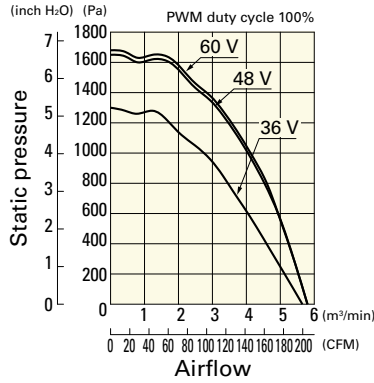
## Airflow - Static Pressure Characteristics / PWM Duty - Speed Characteristics Example

9CRA0948P0G601 With pulse sensor with PWM control function

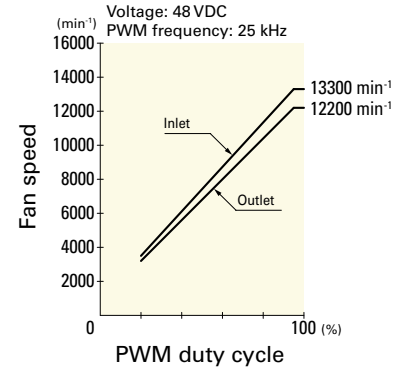
PWM duty cycle



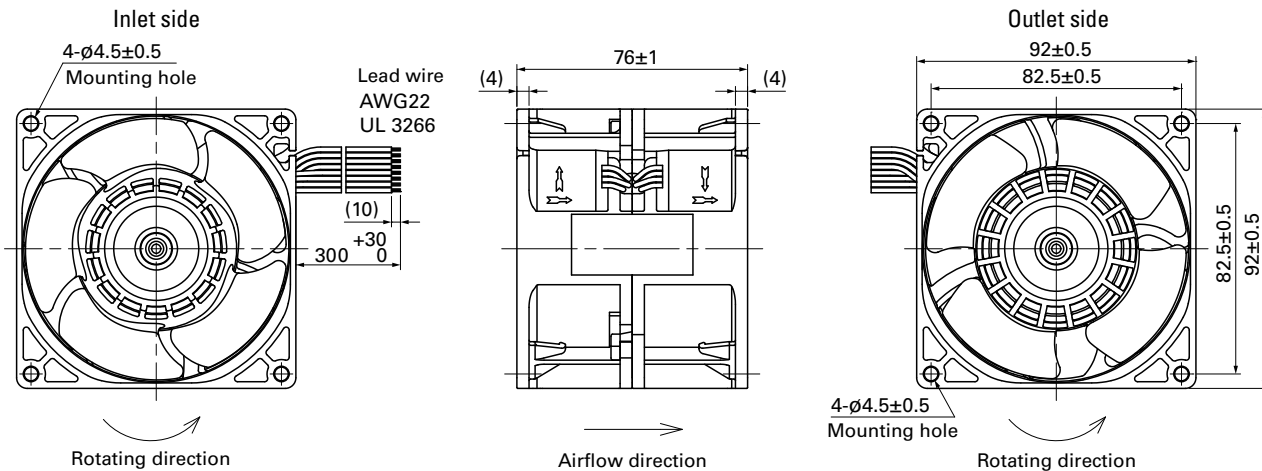
Operating voltage range



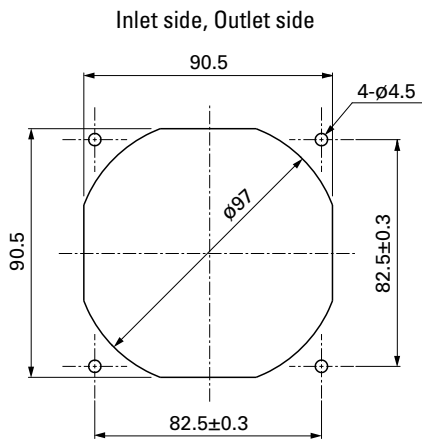
PWM duty - Speed characteristics example



## Dimensions (unit: mm)



## Reference Dimensions of Mounting Holes and Vent Opening (unit: mm)



## Options

Finger guards

page: p. 558

Model no.: 109-099E, 109-099H

Resin finger guards

page: p. 565

Model no.: 109-1001G

Resin filter kits

page: p. 566

Model no.: 109-1001F13 (13PPI), 109-1001F20 (20PPI),  
109-1001F30 (30PPI), 109-1001F40 (40PPI)



# 120x120x76 mm

San Ace 120 9CR type

## General Specifications

- Material ..... Frame: Plastic (Flammability: UL 94V-0), Impeller: Plastic (Flammability: UL 94V-1)
- Expected life ..... See the table below. (L10 life: 90% survival rate for continuous operation in free air at 60°C, rated voltage) Expected life at 40°C is for reference only.
- Motor protection function ..... Locked rotor burnout protection, Reverse polarity protection  
For details, please refer to p. 573.
- Dielectric strength ..... 50/60 Hz, 500 VAC, for 1 minute (between lead wire conductors and frame)
- Insulation resistance ..... 10 MΩ or more with a 500 VDC megger (between lead wire conductors and frame)
- Sound pressure level (SPL) ..... At 1 m away from the air inlet
- Storage temperature ..... -30 to +70°C (Non-condensing)
- Lead wire ..... Inlet ⊕Red ⊖Black (Sensor) Yellow (Control) Brown  
Outlet ⊕Orange ⊖Gray (Sensor) Purple (Control) White
- Mass ..... 670 g

## Specifications

The models listed below **have pulse sensors with PWM control function.**

Model no.	Rated voltage [V]	Operating voltage range [V]	PWM duty cycle [%]	Rated current [A]	Rated input [W]	Rated speed [min <sup>-1</sup> ]		Max. airflow [m <sup>3</sup> /min] [CFM]		Max. static pressure [Pa] [inchH <sub>2</sub> O]		SPL [dB (A)]	Operating temperature [°C]	Expected life [h]
						Inlet	Outlet							
9CR1212P0G03	12	10.8 to 13.2	100	7.2	86.4	6200	3800	8.5	300	480	1.93	70	-20 to +60	40000/60°C (70000/40°C)
			0	1.1	13.2	2700	1800	3.8	134	95	0.38	51		

\* PWM input frequency is 25 kHz; models without specifications at 0% PWM duty cycle have zero fan speed at 0%.

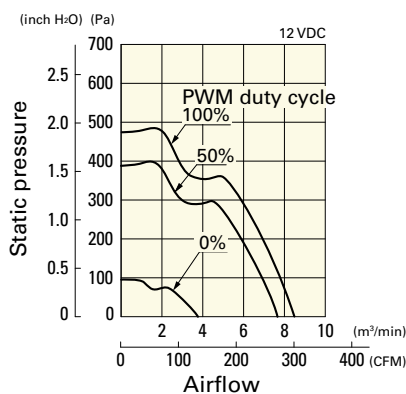
The following sensor and control options are available for selection.

Available for all models. Without sensor Pulse sensor

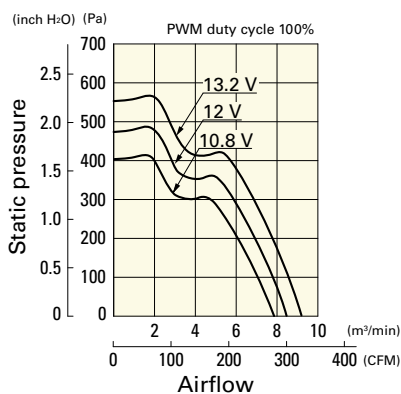
## Airflow - Static Pressure Characteristics / PWM Duty - Speed Characteristics Example

**9CR1212P0G03** With pulse sensor with PWM control function

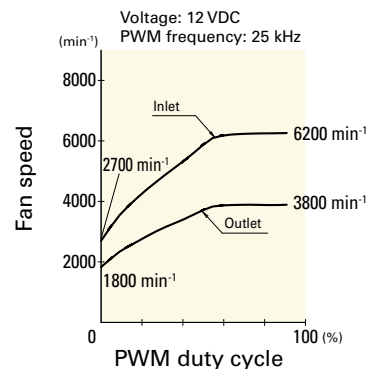
PWM duty cycle



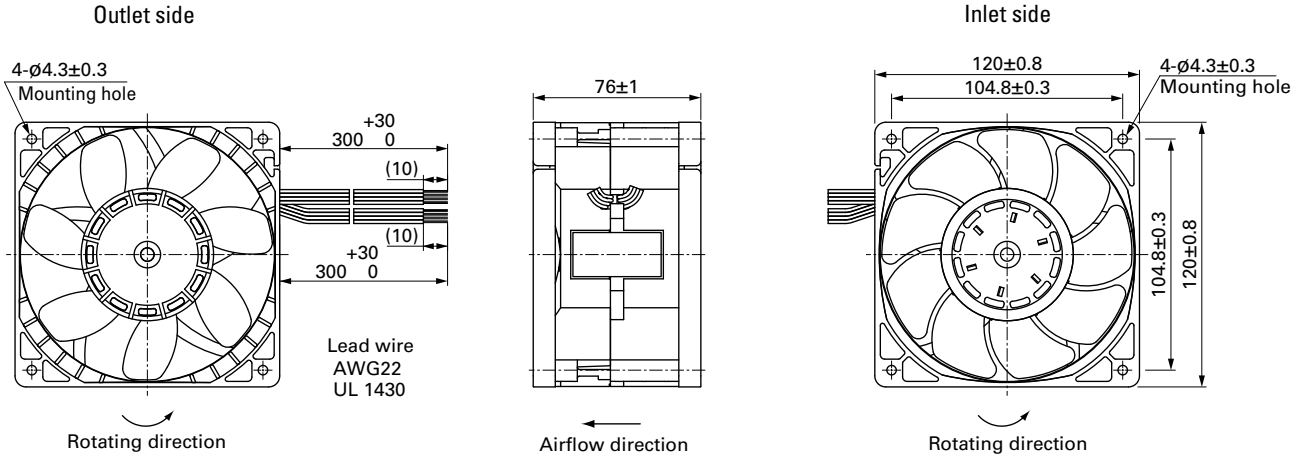
Operating voltage range



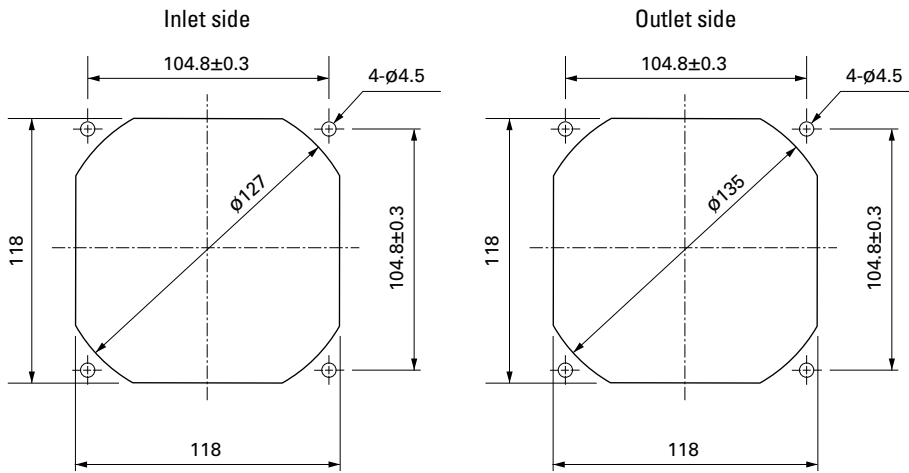
PWM duty - Speed characteristics example



**Dimensions (unit: mm)**



**Reference Dimensions of Mounting Holes and Vent Opening (unit: mm)**



**Options**

**Finger guards**

page: p. 559

Model no.: 109-019E, 109-019K

**Resin finger guards**

page: p. 565

Model no.: 109-1000G

**Resin filter kits**

page: p. 566

Model no.: 109-1000F13 (13PPI), 109-1000F20 (20PPI),  
109-1000F30 (30PPI), 109-1000F40 (40PPI)



# Ø 172 × 150 × 102 mm

## San Ace 172 9CR type

Sidecut type

### General Specifications

- Material ..... Frame: Aluminum, Impeller: Plastic (Flammability: UL 94V-0)
- Expected life ..... See the table below. (L10 life: 90% survival rate for continuous operation in free air at 60°C, rated voltage)  
Expected life at 40°C is for reference only.
- Motor protection function ..... Locked rotor burnout protection, Reverse polarity protection  
For details, please refer to p. 573.
- Dielectric strength ..... 50/60 Hz, 500 VAC, for 1 minute (between lead wire conductors and frame)
- Insulation resistance ..... 10 MΩ or more with a 500 VDC megger (between lead wire conductors and frame)
- Sound pressure level (SPL) ..... At 1 m away from the air inlet
- Storage temperature ..... -30 to +70°C (Non-condensing)
- Lead wire ..... Inlet ⊕Red ⊖Black (Sensor) Yellow (Control) Brown  
Outlet ⊕Orange ⊖Gray (Sensor) Purple (Control) White
- Mass ..... 1600 g

### Specifications

The models listed below **have pulse sensors with PWM control function.**

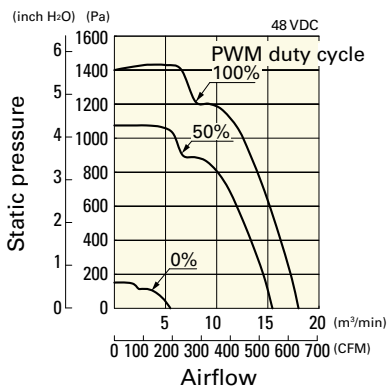
Model no.	Rated voltage [V]	Operating voltage range [V]	PWM duty cycle [%]	Rated current [A]	Rated input [W]	Rated speed [min <sup>-1</sup> ]		Max. airflow [m <sup>3</sup> /min] [CFM]		Max. static pressure [Pa] [inchH <sub>2</sub> O]		SPL [dB (A)]	Operating temperature [°C]	Expected life [h]
						Inlet	Outlet							
9CR5748P9G001	48	36 to 72	100	5.5	264	7300	6400	18	636	1400	5.62	83	-20 to +70	40000/60°C (70000/40°C)
			0	0.5	24	2400	1900	5.5	194.3	152	0.61	54		

\* PWM input frequency is 25 kHz; models without specifications at 0% PWM duty cycle have zero fan speed at 0%.

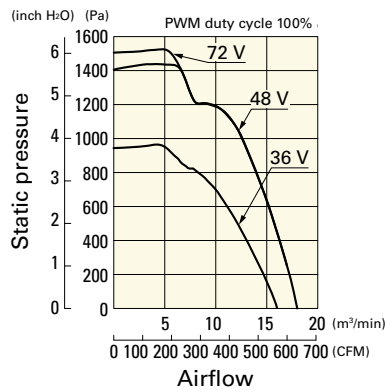
### Airflow - Static Pressure Characteristics / PWM Duty - Speed Characteristics Example

**9CR5748P9G001** With pulse sensor with PWM control function

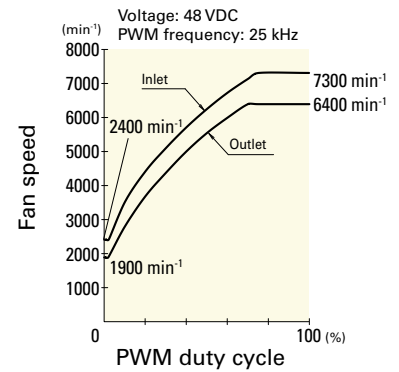
PWM duty cycle



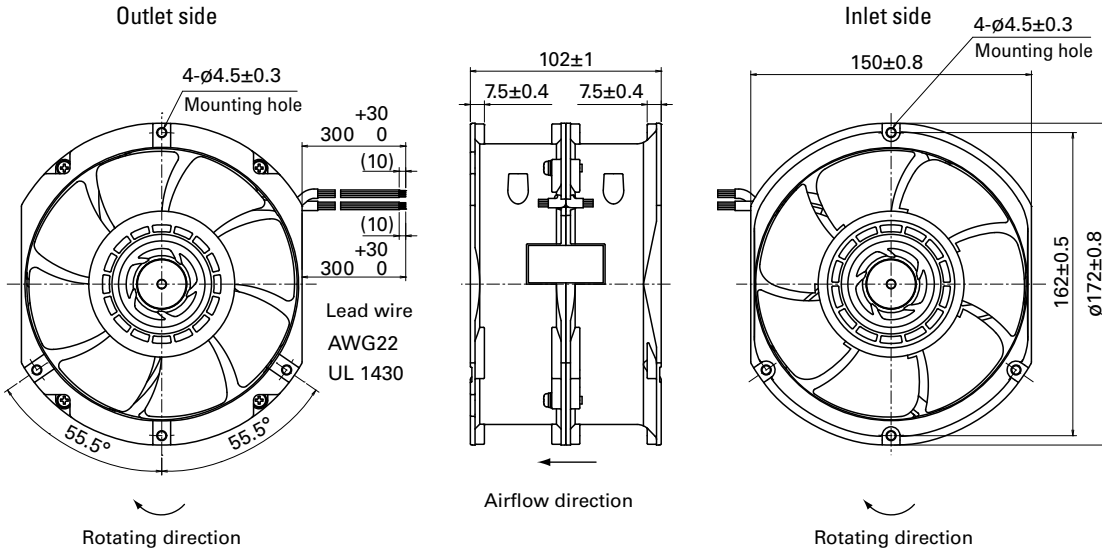
Operating voltage range



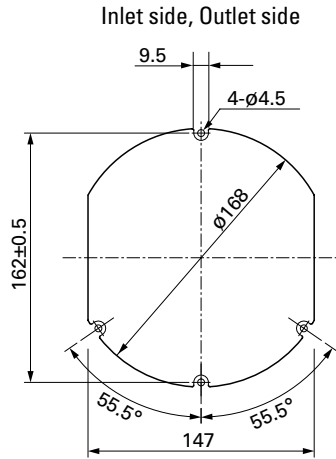
PWM duty - Speed characteristics example



**Dimensions (unit: mm)**



**Reference Dimensions of Mounting Holes and Vent Opening (unit: mm)**



**Options**

Finger guards

page: p. 560

Model no.: 109-319J, 109-319E, 109-319H, 109-320





# Reversible Flow Fan

The wind directions can be switched with these fans. Equivalent cooling performance can be obtained in both directions.

**Model Numbering System** Not every combination of the following codes or characters is available. Contact us for an available combination.

9RF	13	12	P	3	H	001
Type name	Frame size	Voltage	PWM control function	Frame thickness	Speed code	Individual customer's spec

Type name	9RF					
Frame size (mm)	09	13				
	∅92	∅136				
Voltage (V)	12	24				
	12	24				
Frame thickness (mm)	1	3				
	38	28				
Speed code	H					



# Ø92x38 mm

**San Ace 92RF 9RF** type

DC

Reversible Flow Fan 92 mm

## General Specifications

- Material ..... Frame: Plastic (Flammability: UL 94V-0), Impeller: Plastic (Flammability: UL 94V-0)
- Expected life ..... See the table below. (L10 life: 90% survival rate for continuous operation in free air at 60°C, rated voltage)  
Expected life at 40°C is for reference only.
- Motor protection function ..... Locked rotor burnout protection, Reverse polarity protection  
For details, please refer to p. 573.
- Dielectric strength ..... 50/60 Hz, 500 VAC, for 1 minute (between lead wire conductors and frame)
- Insulation resistance ..... 10 MΩ or more with a 500 VDC megger (between lead wire conductors and frame)
- Sound pressure level (SPL) ..... At 1 m away from the air inlet
- Storage temperature ..... -30 to +70°C (Non-condensing)
- Lead wire ..... ⊕Red ⊖Black  Sensor  Yellow  Control  Brown
- Mass ..... 150 g

## Specifications

The models listed below **have pulse sensors with PWM control function.**

Model no.	Airflow direction	Rated voltage [V]	Operating voltage range [V]	PWM duty cycle [%]	Rated current [A]	Rated input [W]	Rated speed [min <sup>-1</sup> ]	Max. airflow [m <sup>3</sup> /min] [CFM]	Max. static pressure [Pa] [inchH <sub>2</sub> O]	SPL [dB (A)]	Operating temperature [°C]	Expected life [h]
9RF0912P1H001	Forward	12	10.2 to 13.8	100	0.17	2.0	5500	1.2 42.4	156 0.63	39	-20 to +70	40000/60°C (70000/40°C)
	Reverse			0								
9RF0924P1H001	Forward	24	20.4 to 27.6	100	0.09	2.2	5500	1.2 42.4	156 0.63	39		
	Reverse			0								

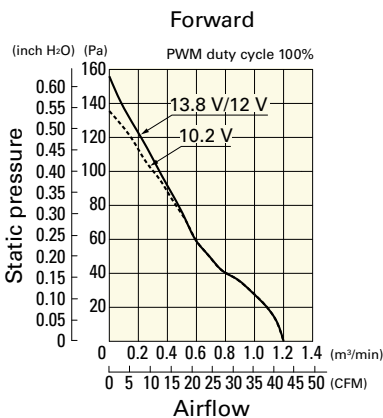
\* PWM input frequency is 25 kHz; models without specifications at 0% PWM duty cycle have zero fan speed at 0%.

The mark indicates Short LeadTime Service applicable models. See p. 626 for details.

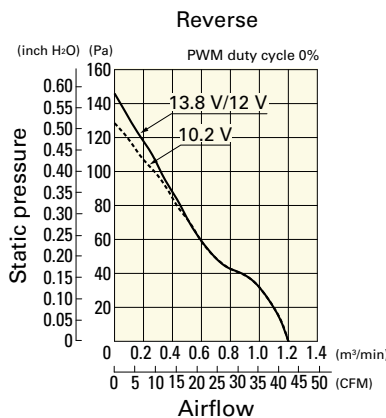
## Airflow - Static Pressure Characteristics / PWM Duty - Speed Characteristics Example

**9RF0912P1H001** With pulse sensor with PWM control function

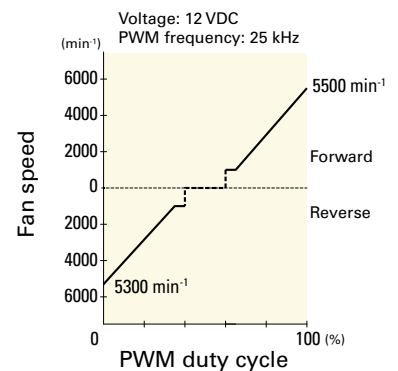
Operating voltage range



Operating voltage range



PWM duty - Speed characteristics example



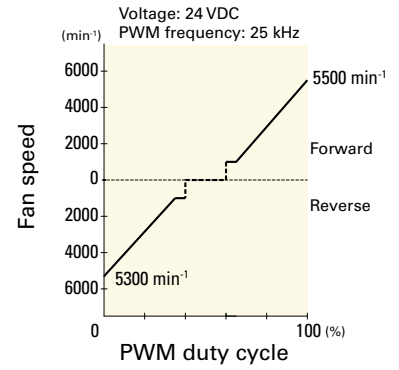
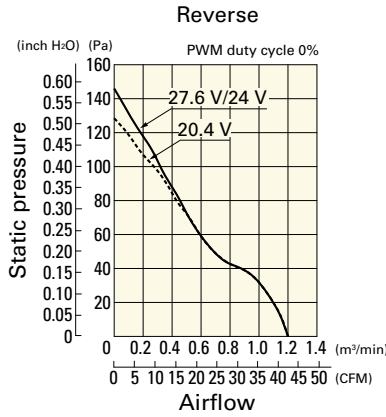
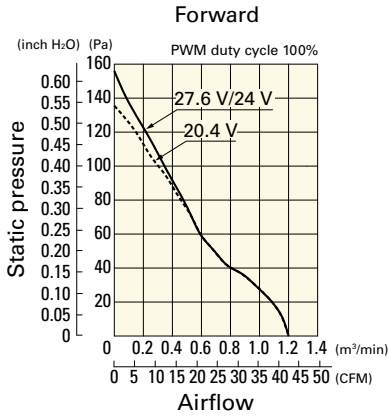
## Airflow - Static Pressure Characteristics / PWM Duty - Speed Characteristics Example

9RF0924P1H001 With pulse sensor with PWM control function

Operating voltage range

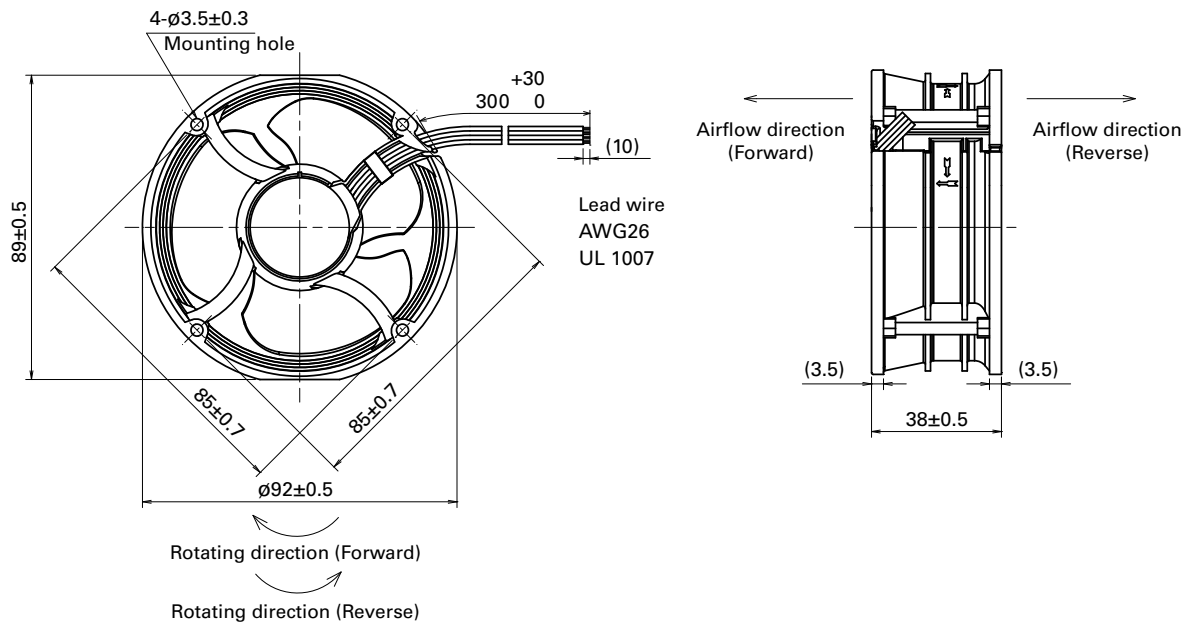
Operating voltage range

PWM duty - Speed characteristics example

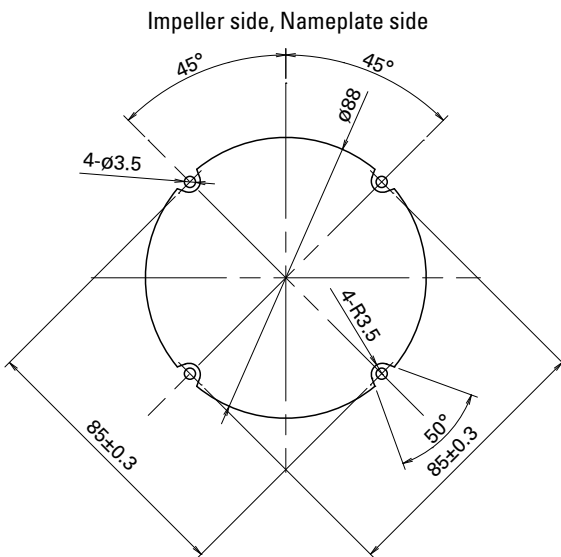


DC  
Reversible Flow Fan ø92 mm

## Dimensions (unit: mm)



## Reference Dimensions of Mounting Holes and Vent Opening (unit: mm)



## Options

Finger guards

page: p. 558

Model no.: 109-1147



# Ø136x28 mm

San Ace 136RF 9RF<sub>type</sub> US

DC

Reversible Flow Fan Ø136 mm

## General Specifications

- Material ..... Frame: Plastic (Flammability: UL 94V-0), Impeller: Plastic (Flammability: UL 94V-0)
- Expected life ..... See the table below. (L10 life: 90% survival rate for continuous operation in free air at 60°C, rated voltage) Expected life at 40°C is for reference only.
- Motor protection function ..... Locked rotor burnout protection, Reverse polarity protection  
For details, please refer to p. 573.
- Dielectric strength ..... 50/60 Hz, 500 VAC, for 1 minute (between lead wire conductors and frame)
- Insulation resistance ..... 10 MΩ or more with a 500 VDC megger (between lead wire conductors and frame)
- Sound pressure level (SPL) ..... At 1 m away from the air inlet
- Storage temperature ..... -30 to +70°C (Non-condensing)
- Lead wire ..... ⊕Red ⊖Black  Sensor  Yellow  Control  Brown
- Mass ..... 220 g

## Specifications

The models listed below **have pulse sensors with PWM control function.**

Model no.	Airflow direction	Rated voltage [V]	Operating voltage range [V]	PWM duty cycle* [%]	Rated current [A]	Rated input [W]	Rated speed [min <sup>-1</sup> ]	Max. airflow [m <sup>3</sup> /min] [CFM]	Max. static pressure [Pa] [inchH <sub>2</sub> O]	SPL [dB (A)]	Operating temperature [°C]	Expected life [h]
▶▶ 9RF1312P3H001	Forward	12	10.2 to 13.8	100	0.15	1.8	3100	2.0 70.7	102 0.41	35	-20 to +70	40000/60°C (70000/40°C)
	Reverse			0								
▶▶ 9RF1324P3H001	Forward	24	20.4 to 27.6	100	0.09	2.2	3100	2.0 70.7	102 0.41	35		
	Reverse			0								

\* PWM input frequency is 25 kHz; models without specifications at 0% PWM duty cycle have zero fan speed at 0%.

The ▶▶ mark indicates Short LeadTime Service applicable models. See p. 626 for details.

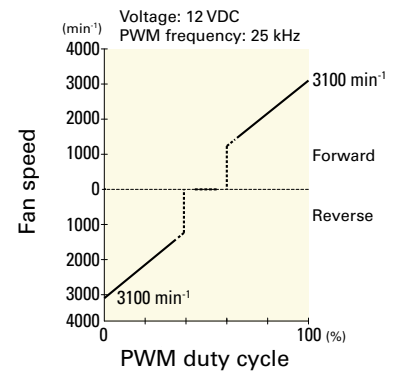
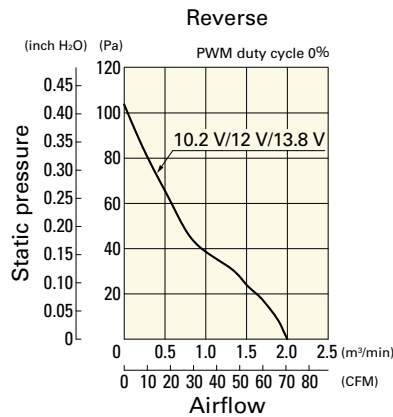
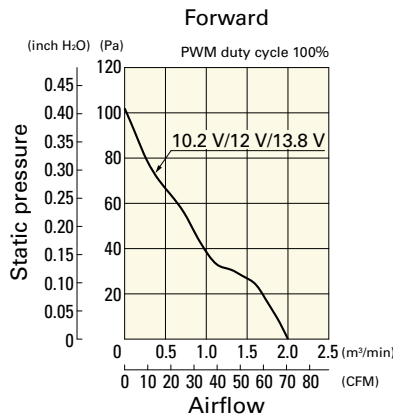
## Airflow - Static Pressure Characteristics / PWM Duty - Speed Characteristics Example

**9RF1312P3H001** With pulse sensor with PWM control function

Operating voltage range

Operating voltage range

PWM duty - Speed characteristics example



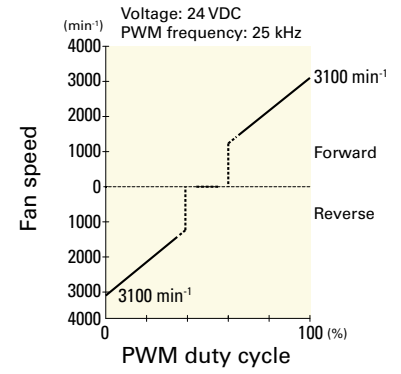
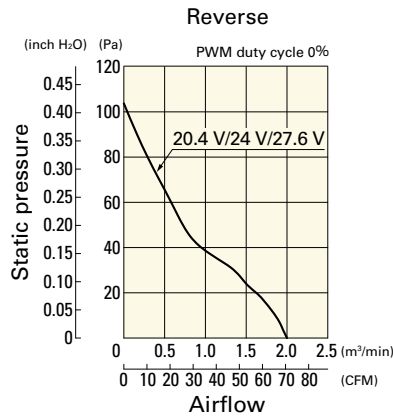
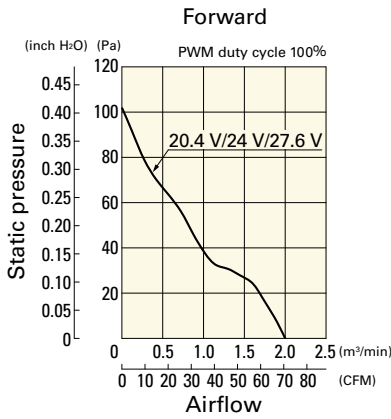
## Airflow - Static Pressure Characteristics / PWM Duty - Speed Characteristics Example

9RF1324P3H001 With pulse sensor with PWM control function

Operating voltage range

Operating voltage range

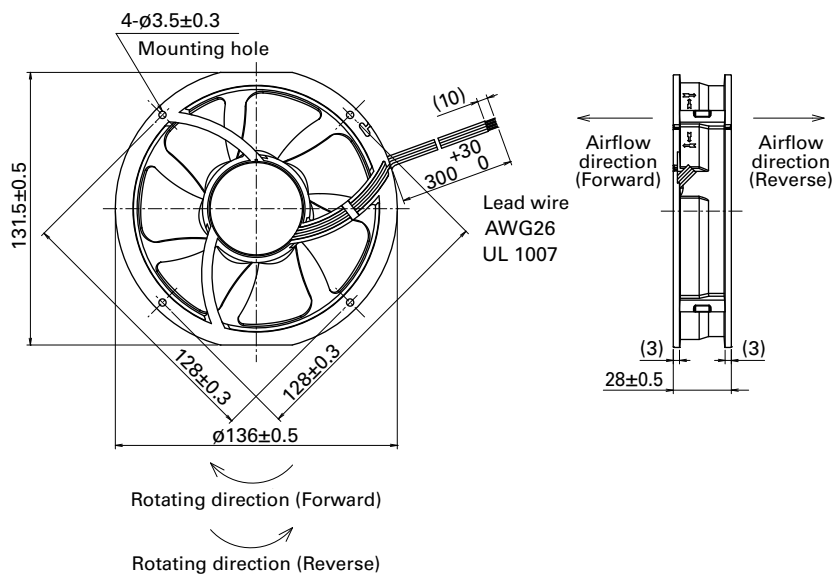
PWM duty - Speed characteristics example



DC

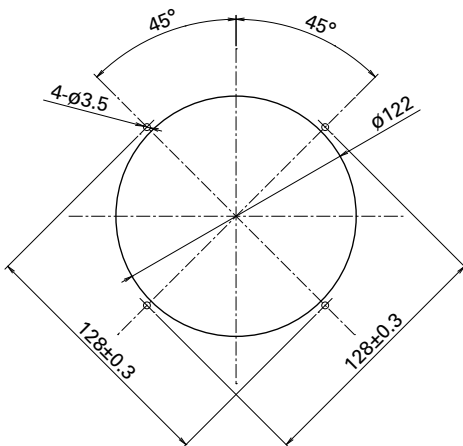
Reversible Flow Fan  $\varnothing$ 136 mm

## Dimensions (unit: mm)



## Reference Dimensions of Mounting Holes and Vent Opening (unit: mm)

Impeller side, Nameplate side



## Options

Finger guards

page: p. 559

Model no.: 109-1139



# Splash Proof Fan

Cooling fan of IP54, IP55 and IP68 waterproof capability. For more information on IP rating, refer to p. 579.  
 Related product: Splash Proof Centrifugal Fan p. 321, Splash Proof Blower p. 341, Oil Proof Fan p. 345

**Model Numbering System** Not every combination of the following codes or characters is available. Contact us for an available combination.

<b>9WL</b>	<b>14</b>	<b>48</b>	<b>L</b>	<b>1</b>	<b>001</b>	
Type name	Frame size	Voltage	Speed code	Frame thickness	Sensor specifications	Frame form

Fans with PWM control function

<b>9WV</b>	<b>08</b>	<b>48</b>	<b>P</b>	<b>1</b>	<b>H</b>	<b>001</b>	
Type name	Frame size	Voltage	PWM control function	Frame thickness	Speed code	Individual customer's spec (2 to 3 digits)	Frame form

Type name	9WL 9WP 9WV etc.										
Frame size (mm)	04	06	08	09	12	14	17	57			
	40×40	60×60	80×80	92×92	120×120	140×140	∅172	∅172×150 (sidecut)			
Voltage (V)	12	24	48	etc.							
	12	24	48	etc.							
Speed code	A	D	E	F	G	H	J	L	M	S	etc.
Frame thickness (mm)	1	4	5	6							
	38	25	51	20							
Sensor specifications	01, 001			02, 002			D01, D001				
	With a pulse sensor			Without a sensor			With a lock sensor				
Frame form	Nil				1						
	Plastic frame: Ribbed frame				Plastic frame: Ribless frame						
	Aluminum frame: Ribless frame										



# 40x40x20 mm

San Ace 40W 9WP type US

DC  
Splash Proof Fan 40 mm sq.

## General Specifications

- Material ..... Frame: Plastic (Flammability: UL 94V-0), Impeller: Plastic (Flammability: UL 94V-1)
- Expected life ..... See the table below. (L10 life: 90% survival rate for continuous operation in indoor free air at 60°C, rated voltage)  
Expected life at 40°C is for reference only.
- Motor protection function ..... Locked rotor burnout protection, Reverse polarity protection  
For details, please refer to p. 573.
- Dielectric strength ..... 50/60 Hz, 500 VAC, for 1 minute (between lead wire conductors and frame)
- Insulation resistance ..... 10 MΩ or more with a 500 VDC megger (between lead wire conductors and frame)
- Sound pressure level (SPL) ..... At 1 m away from the air inlet
- Storage temperature ..... -30 to +70°C (Non-condensing)
- Lead wire ..... ⊕Red ⊖Black Sensor Yellow
- Mass ..... 50 g
- Ingress protection ..... IP68

## Specifications

The models listed below **have ribs and pulse sensors.**

Model no.	Rated voltage [V]	Operating voltage range [V]	Rated current [A]	Rated input [W]	Rated speed [min <sup>-1</sup> ]	Max. airflow [m <sup>3</sup> /min] [CFM]	Max. static pressure [Pa] [inchH <sub>2</sub> O]	SPL [dB (A)]	Operating temperature [°C]	Expected life [h]
<b>9WP0412H6001</b>	12	7 to 13.8	0.1	1.2	8000	0.225 8.0	65.7 0.264	33	-10 to +60	40000/60°C (70000/40°C)
<b>9WP0412F6001</b>			0.06	0.72	6500	0.183 6.5	45.1 0.181	28		

The following sensor and control options are available for selection.

Available for all models. **Without sensor**

Differs according to the model. Refer to the table on p. 612. **Lock sensor**

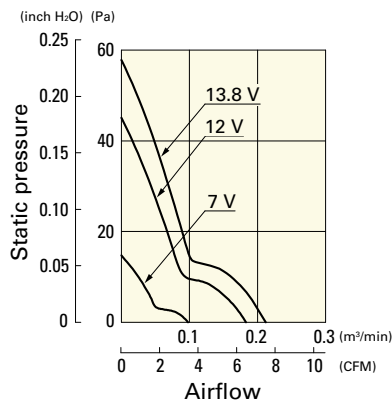
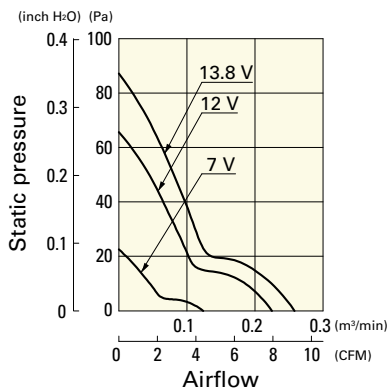
## Airflow - Static Pressure Characteristics

**9WP0412H6001** With pulse sensor

**9WP0412F6001** With pulse sensor

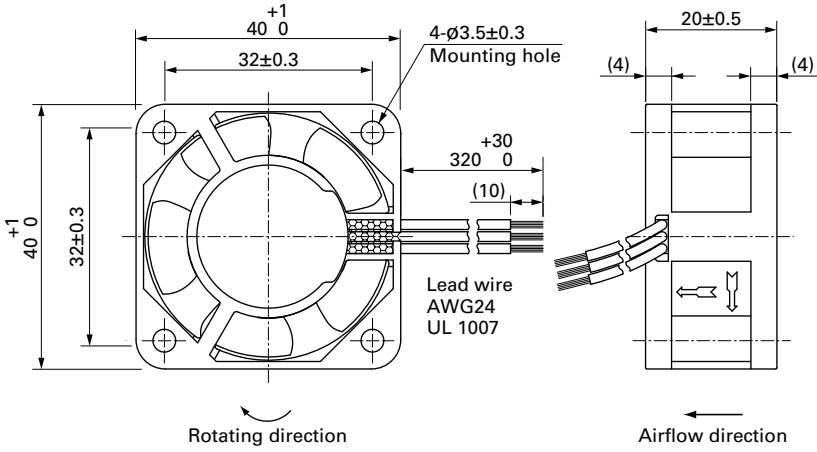
Operating voltage range

Operating voltage range

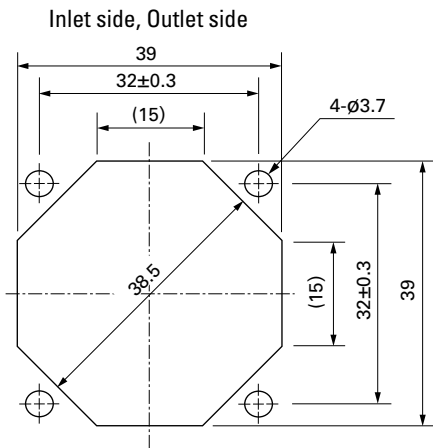




**Dimensions (unit: mm)**



**Reference Dimensions of Mounting Holes and Vent Opening (unit: mm)**



**Options**

Finger guards

page: p. 558

Model no.: 109-059, 109-059H



# 40x40x28 mm

San Ace 40W 9WL type   

DC  
Splash Proof Fan 40 mm sq.

## General Specifications

- Material ..... Frame: Aluminum (Black coating), Impeller: Plastic (Flammability: UL 94V-0)
- Expected life ..... See the table below. (L10 life: 90% survival rate for continuous operation in indoor free air at 60°C, rated voltage)  
Expected life at 40°C is for reference only.
- Motor protection function ..... Locked rotor burnout protection, Reverse polarity protection  
For details, please refer to p. 573.
- Dielectric strength ..... 50/60 Hz, 500 VAC, for 1 minute (between lead wire conductors and frame)
- Insulation resistance ..... 10 MΩ or more with a 500 VDC megger (between lead wire conductors and frame)
- Sound pressure level (SPL) ..... At 1 m away from the air inlet
- Storage temperature ..... -30 to +70°C (Non-condensing)
- Lead wire ..... ⊕Red ⊖Black  Sensor  Yellow  Control  Brown
- Mass ..... 70 g
- Ingress protection ..... IP68

## Specifications

The models listed below **have pulse sensors with PWM control function.**

Model no.	Rated voltage [V]	Operating voltage range [V]	PWM duty cycle* [%]	Rated current [A]	Rated input [W]	Rated speed [min <sup>-1</sup> ]	Max. airflow [m <sup>3</sup> /min] [CFM]	Max. static pressure [Pa] [inchH <sub>2</sub> O]	SPL [dB (A)]	Operating temperature [°C]	Expected life [h]
9WL0412P3J001	12	10.8 to 13.2	100	0.52	6.24	17500	0.63 22.2	400 1.61	51	-20 to +70	150000/60°C (185000/40°C)
			20	0.06	0.72	3600	0.13 4.6	16.9 0.07	20		
9WL0412P3G001			100	0.4	4.8	15500	0.56 19.7	310 1.24	47		
			20	0.06	0.72	3300	0.12 4.2	14.0 0.06	18		
9WL0424P3J001	24	21.6 to 26.4	100	0.26	6.24	17500	0.63 22.2	400 1.61	51		
			20	0.04	0.96	4000	0.14 5.1	20.9 0.08	22		
9WL0424P3G001			100	0.2	4.8	15500	0.56 19.7	310 1.24	47		
			20	0.04	0.96	3000	0.11 3.8	11.6 0.05	16		

\* PWM input frequency is 25 kHz; models without specifications at 0% PWM duty cycle have zero fan speed at 0%.

The following sensor and control options are available for selection.

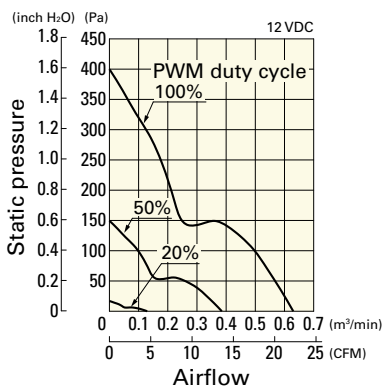
Available for all models.  Without sensor  Pulse sensor

Differs according to the model. Refer to the table on p. 611.  Lock sensor

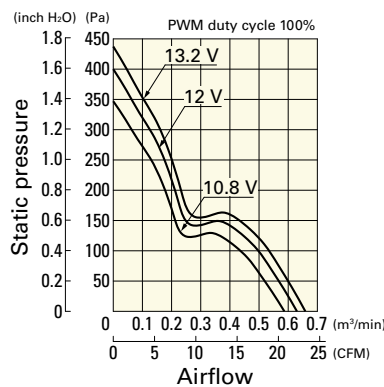
## Airflow - Static Pressure Characteristics / PWM Duty - Speed Characteristics Example

**9WL0412P3J001** With pulse sensor with PWM control function

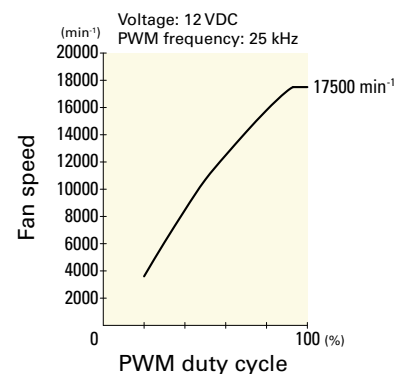
PWM duty cycle



Operating voltage range



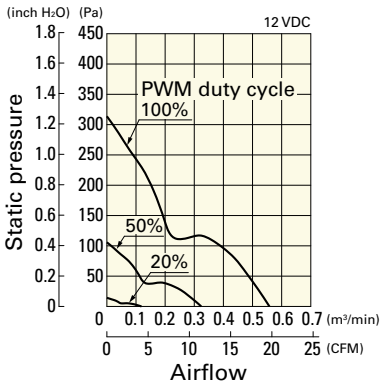
PWM duty - Speed characteristics example



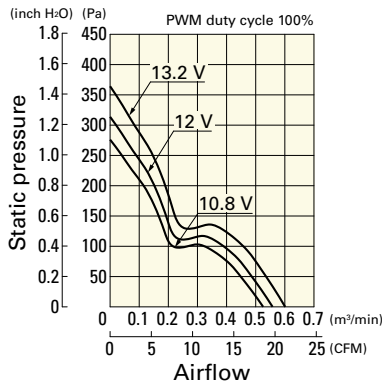
# Airflow - Static Pressure Characteristics / PWM Duty - Speed Characteristics Example

**9WL0412P3G001** With pulse sensor with PWM control function

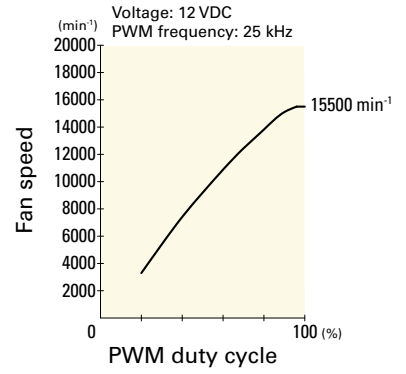
PWM duty cycle



Operating voltage range

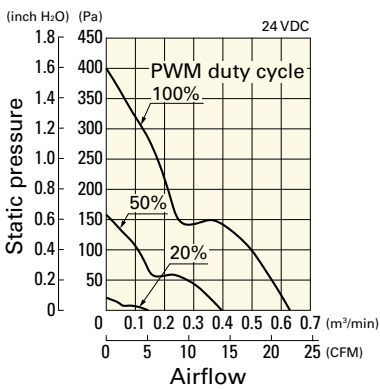


PWM duty - Speed characteristics example

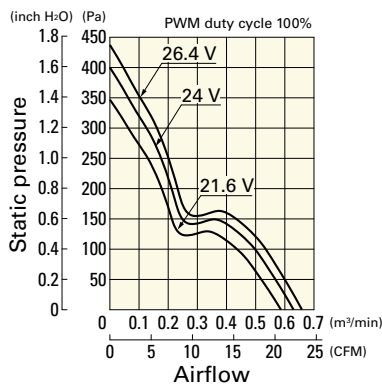


**9WL0424P3J001** With pulse sensor with PWM control function

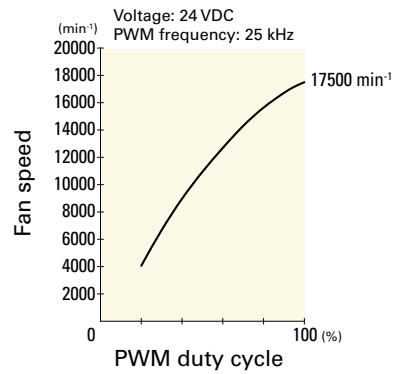
PWM duty cycle



Operating voltage range

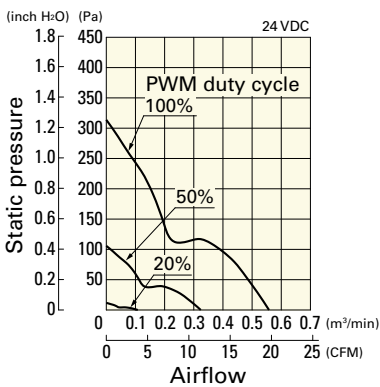


PWM duty - Speed characteristics example

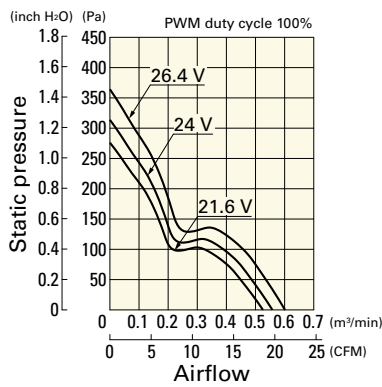


**9WL0424P3G001** With pulse sensor with PWM control function

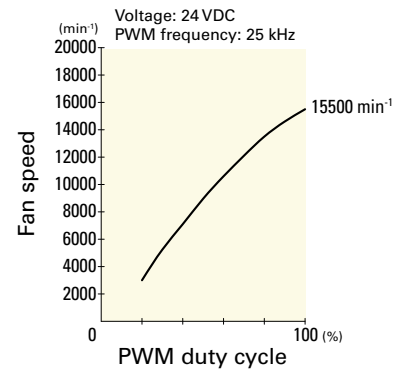
PWM duty cycle



Operating voltage range

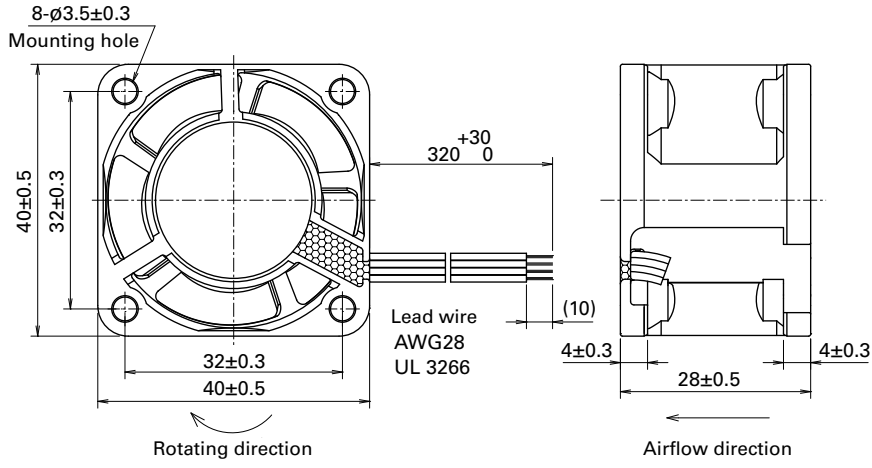


PWM duty - Speed characteristics example

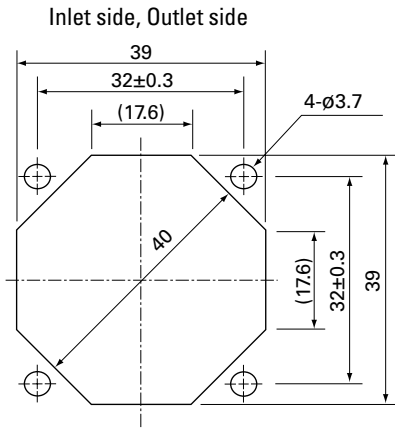


DC  
Splash Proof Fan 40 mm sq.

**Dimensions (unit: mm)**



**Reference Dimensions of Mounting Holes and Vent Opening (unit: mm)**



**Options**

Finger guards

page: p. 558

Model no.: 109-059, 109-059H



# 60x60x25 mm

San Ace 60W 9WL type   

## General Specifications

- Material ..... Frame: Aluminum (Black coating), Impeller: Plastic (Flammability: UL 94V-1)
- Expected life ..... See the table below. (L10 life: 90% survival rate for continuous operation in indoor free air at 60°C, rated voltage) Expected life at 40°C is for reference only.
- Motor protection function ..... Locked rotor burnout protection, Reverse polarity protection For details, please refer to p. 573.
- Dielectric strength ..... 50/60 Hz, 500 VAC, for 1 minute (between lead wire conductors and frame)
- Insulation resistance ..... 10 MΩ or more with a 500 VDC megger (between lead wire conductors and frame)
- Sound pressure level (SPL) ..... At 1 m away from the air inlet
- Storage temperature ..... -30 to +70°C (Non-condensing)
- Lead wire ..... ⊕Red ⊖Black  Sensor  Yellow  Control  Brown
- Mass ..... 120 g
- Ingress protection ..... IP68

## Specifications

The models listed below **have pulse sensors with PWM control function.**

Model no.	Rated voltage [V]	Operating voltage range [V]	PWM duty cycle [%]	Rated current [A]	Rated input [W]	Rated speed [min <sup>-1</sup> ]	Max. airflow [m <sup>3</sup> /min] [CFM]	Max. static pressure [Pa] [inchH <sub>2</sub> O]	SPL [dB (A)]	Operating temperature [°C]	Expected life [h]	
9WL0612P4S001	12	10.8 to 13.2	100	0.67	8.04	11000	1.4 49.4	300 1.204	53	-20 to +70	180000/60°C (215000/40°C)	
			20	0.06	0.72	2900	0.36 12.7	20.8 0.083	20			
9WL0612P4J001			100	0.39	4.68	8650	1.1 38.8	182 0.73	47			
			20	0.03	0.36	1150	0.13 4.8	3.3 0.013	14			
9WL0612P4H001			100	0.17	2.04	6150	0.78 27.5	97 0.389	36			
			20	0.03	0.36	1350	0.17 6.0	4.7 0.018	14			
9WL0624P4S001		24	21.6 to 26.4	100	0.34	8.16	11000	1.4 49.4	300 1.204			53
				20	0.03	0.72	2900	0.36 12.7	20.8 0.083			20
9WL0624P4J001				100	0.19	4.56	8650	1.1 38.8	182 0.73			47
				20	0.02	0.48	2200	0.28 9.8	12.0 0.048			17
9WL0624P4H001				100	0.08	1.92	6150	0.78 27.5	97 0.389			36
				20	0.02	0.48	1300	0.16 5.6	4.3 0.017			14

\* PWM input frequency is 25 kHz; models without specifications at 0% PWM duty cycle have zero fan speed at 0%.

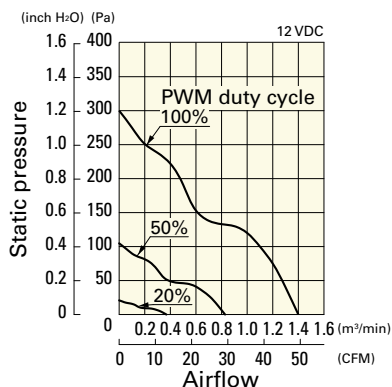
The following sensor and control options are available for selection.

Differs according to the model. Refer to the table on p. 611.  Without sensor  Pulse sensor  Lock sensor

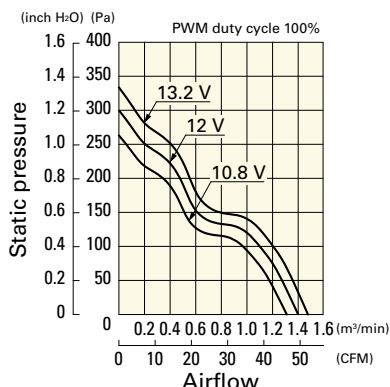
## Airflow - Static Pressure Characteristics / PWM Duty - Speed Characteristics Example

**9WL0612P4S001** With pulse sensor with PWM control function

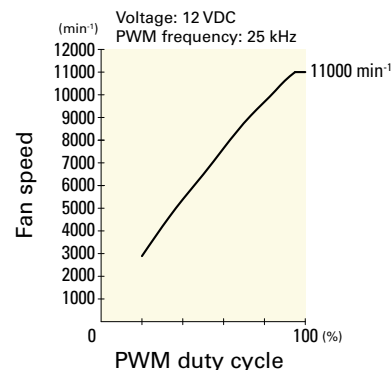
PWM duty cycle



Operating voltage range



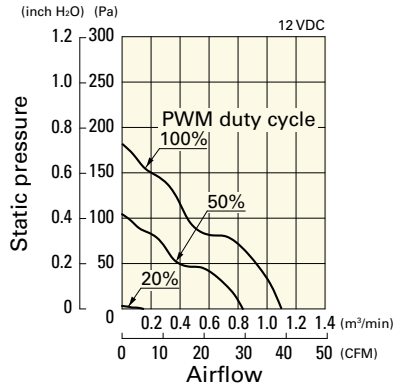
PWM duty - Speed characteristics example



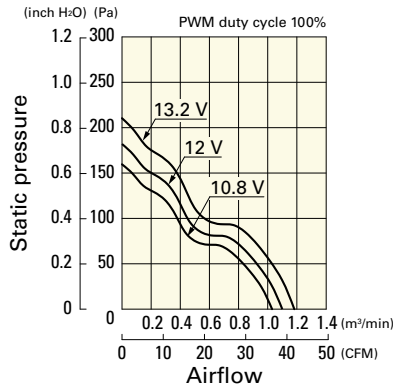
**Airflow - Static Pressure Characteristics / PWM Duty - Speed Characteristics Example**

**9WL0612P4J001** With pulse sensor with PWM control function

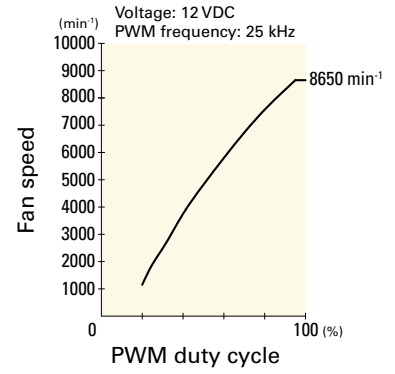
PWM duty cycle



Operating voltage range

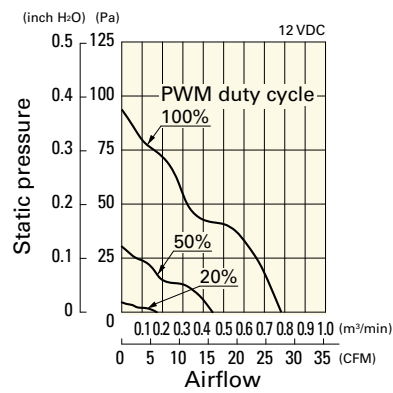


PWM duty - Speed characteristics example

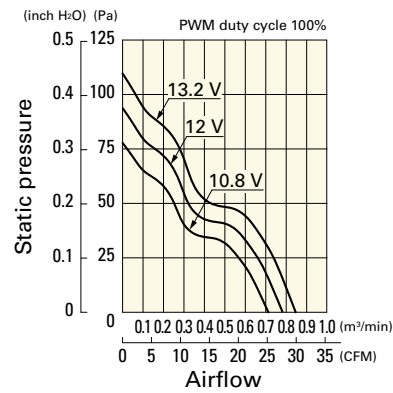


**9WL0612P4H001** With pulse sensor with PWM control function

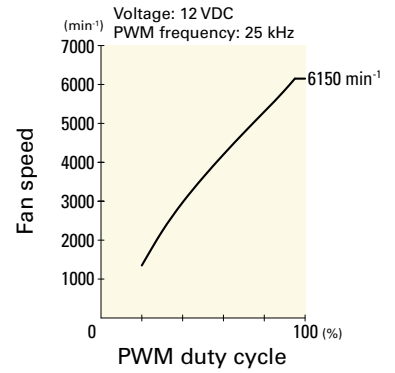
PWM duty cycle



Operating voltage range

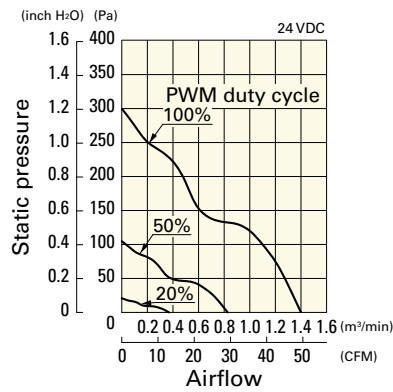


PWM duty - Speed characteristics example

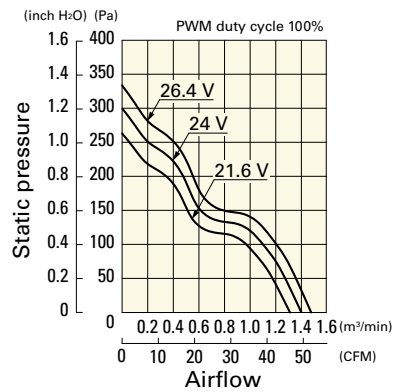


**9WL0624P4S001** With pulse sensor with PWM control function

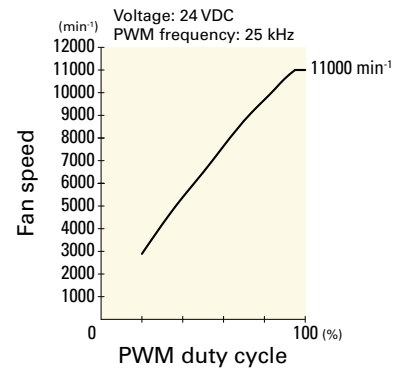
PWM duty cycle



Operating voltage range

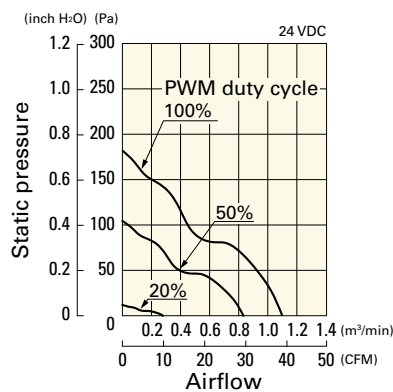


PWM duty - Speed characteristics example

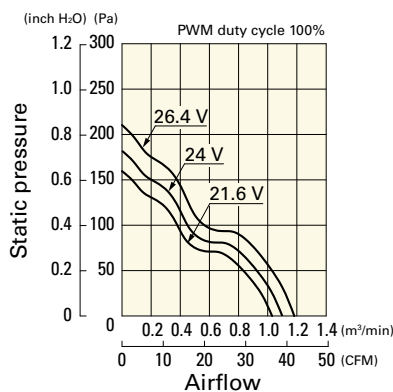


**9WL0624P4J001** With pulse sensor with PWM control function

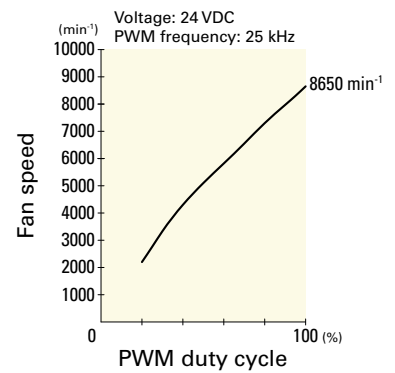
PWM duty cycle



Operating voltage range



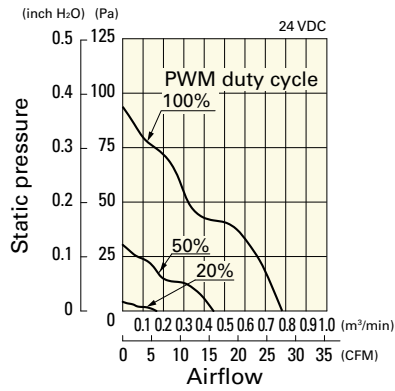
PWM duty - Speed characteristics example



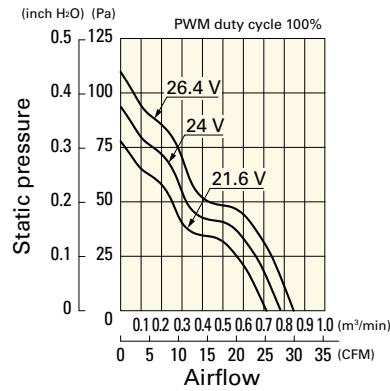
## Airflow - Static Pressure Characteristics / PWM Duty - Speed Characteristics Example

**9WL0624P4H001** With pulse sensor with PWM control function

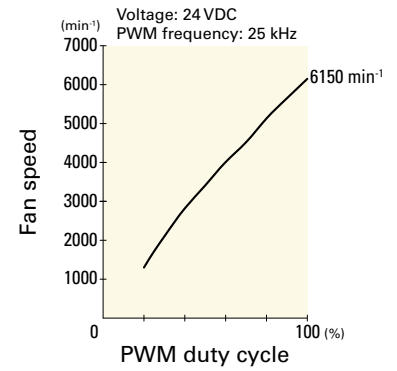
PWM duty cycle



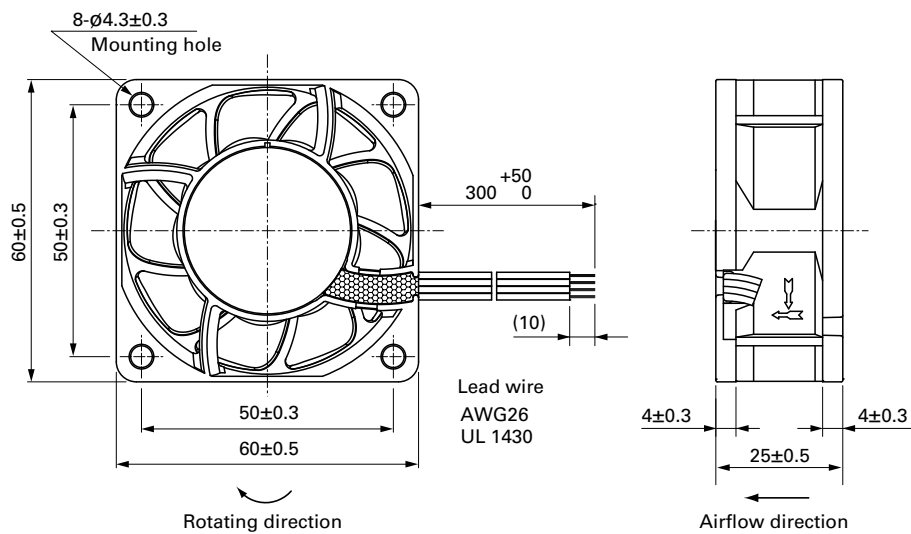
Operating voltage range



PWM duty - Speed characteristics example

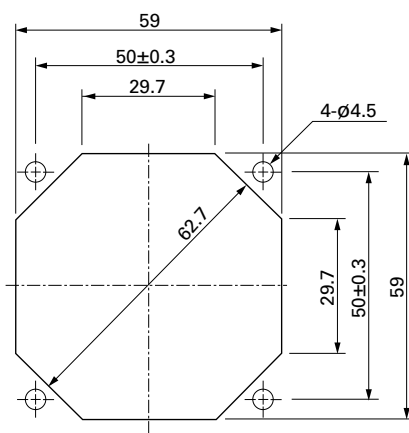


## Dimensions (unit: mm)



## Reference Dimensions of Mounting Holes and Vent Opening (unit: mm)

Inlet side, Outlet side



## Options

Finger guards

page: p. 558

Model no.: 109-139E, 109-139H

Resin finger guards

page: p. 565

Model no.: 109-1003G

DC  
Splash Proof Fan 60 mm sq.



# 60x60x25 mm

San Ace 60W 9WP type

DC  
Splash Proof Fan 60 mm sq.

## General Specifications

- Material ..... Frame: Plastic (Flammability: UL 94V-0), Impeller: Plastic (Flammability: UL 94V-1)
- Expected life ..... See the table below. (L10 life: 90% survival rate for continuous operation in indoor free air at 60°C, rated voltage)  
Expected life at 40°C is for reference only.
- Motor protection function ..... Locked rotor burnout protection, Reverse polarity protection  
For details, please refer to p. 573.
- Dielectric strength ..... 50/60 Hz, 500 VAC, for 1 minute (between lead wire conductors and frame)
- Insulation resistance ..... 10 MΩ or more with a 500 VDC megger (between lead wire conductors and frame)
- Sound pressure level (SPL) ..... At 1 m away from the air inlet
- Storage temperature ..... -30 to +70°C (Non-condensing)
- Lead wire ..... ⊕Red ⊖Black Sensor Yellow
- Mass ..... 110 g
- Ingress protection ..... IP68

## Specifications

The models listed below **have ribs and pulse sensors**. For models without ribs, append "1" to the end of model numbers.

Model no.	Rated voltage [V]	Operating voltage range [V]	Rated current [A]	Rated input [W]	Rated speed [min <sup>-1</sup> ]	Max. airflow [m <sup>3</sup> /min] [CFM]	Max. static pressure [Pa] [inchH <sub>2</sub> O]	SPL [dB (A)]	Operating temperature [°C]	Expected life [h]	
9WP0612G401	12	10.2 to 13.2	0.21	2.52	5600	0.78 27.5	87.3 0.351	39	-20 to +60	40000/60°C (70000/40°C)	
9WP0612D401		10.2 to 13.8	0.21	2.52	5150	0.72 25	73.5 0.3	37		-20 to +70	60000/60°C (90000/40°C)
9WP0612H401			0.11	1.32	3800	0.53 18.7	40.2 0.161	28			
9WP0624J401	24	21.6 to 26.4	0.2	4.8	7600	1.06 37.1	155.0 0.622	44	-20 to +60	40000/60°C (70000/40°C)	
9WP0624G401		20.4 to 27.6	0.13	3.12	5600	0.78 27.5	87.3 0.351	39		-20 to +70	60000/60°C (90000/40°C)
9WP0624H401			0.06	1.44	3800	0.53 18.7	40.2 0.161	28			
9WP0648H401	48	40 to 53	0.04	1.92	3800	0.53 18.7	40.2 0.161	28	-20 to +70	60000/60°C (90000/40°C)	

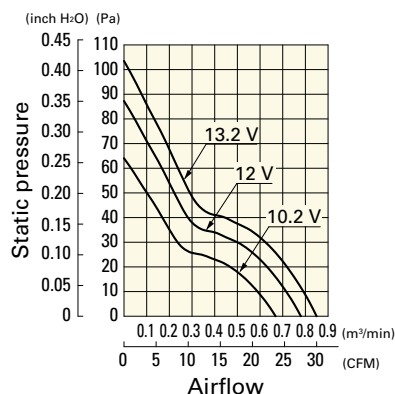
The following sensor and control options are available for selection.

Differs according to the model. Refer to the table on p. 612. Without sensor Lock sensor PWM control

## Airflow - Static Pressure Characteristics

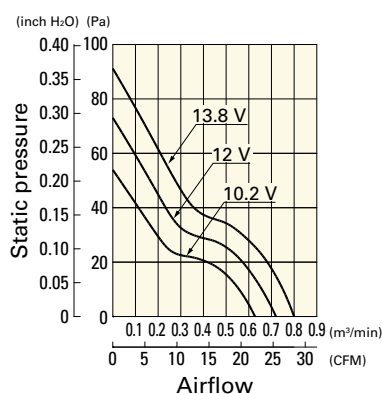
9WP0612G401 With pulse sensor

Operating voltage range



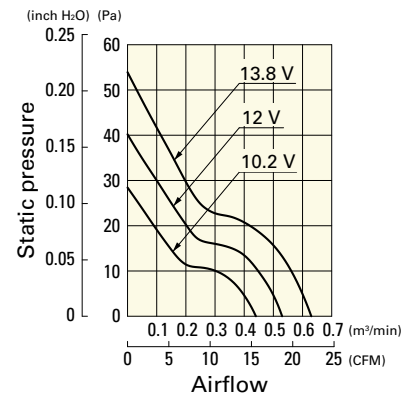
9WP0612D401 With pulse sensor

Operating voltage range



9WP0612H401 With pulse sensor

Operating voltage range

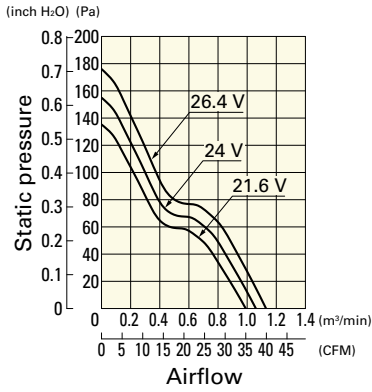




## Airflow - Static Pressure Characteristics

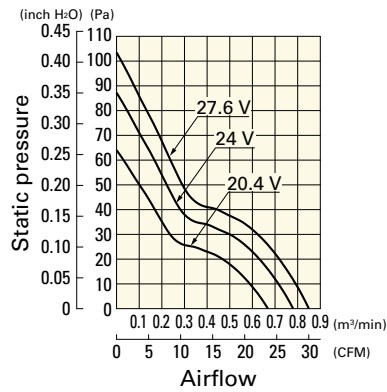
**9WP0624J401** With pulse sensor

Operating voltage range



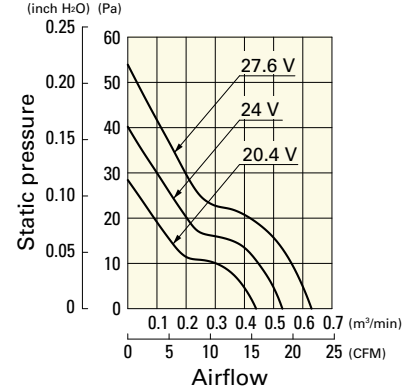
**9WP0624G401** With pulse sensor

Operating voltage range



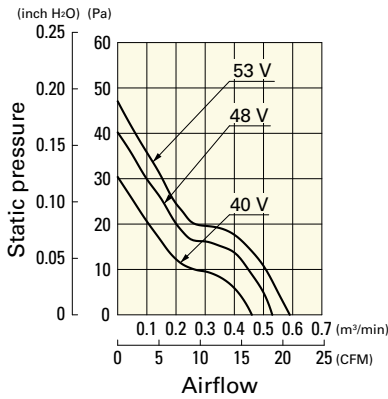
**9WP0624H401** With pulse sensor

Operating voltage range

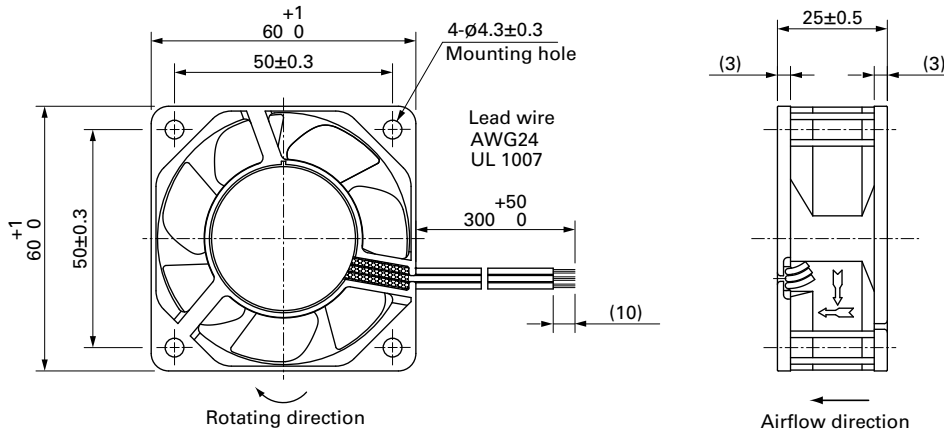


**9WP0648H401** With pulse sensor

Operating voltage range

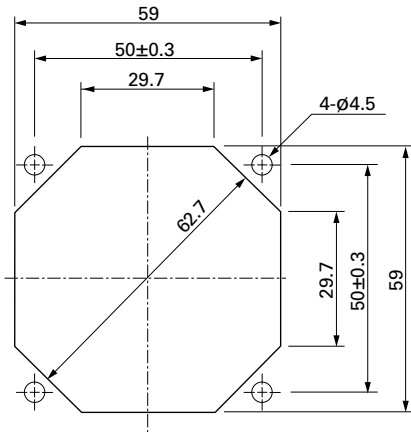


## Dimensions (unit: mm) (With ribs)



**Reference Dimensions of Mounting Holes and Vent Opening (unit: mm)**

Inlet side, Outlet side



**Options**

Finger guards

page: p. 558

Model no.: 109-139E, 109-139H

Resin finger guards

page: p. 565

Model no.: 109-1003G



# 80x80x25 mm

San Ace 80W 9WL type   

## General Specifications

- Material ..... Frame: Aluminum (Black coating), Impeller: Plastic (Flammability: UL 94V-1)
- Expected life ..... See the table below. (L10 life: 90% survival rate for continuous operation in indoor free air at 60°C, rated voltage) Expected life at 40°C is for reference only.
- Motor protection function ..... Locked rotor burnout protection, Reverse polarity protection  
For details, please refer to p. 573.
- Dielectric strength ..... 50/60 Hz, 500 VAC, for 1 minute (between lead wire conductors and frame)
- Insulation resistance ..... 10 MΩ or more with a 500 VDC megger (between lead wire conductors and frame)
- Sound pressure level (SPL) ..... At 1 m away from the air inlet
- Storage temperature ..... -30 to +70°C (Non-condensing)
- Lead wire ..... ⊕Red ⊖Black (Sensor) Yellow (Control) Brown  
(For models without PWM control function, there is no speed control wiring.)
- Mass ..... 150 g
- Ingress protection ..... IP68

## Specifications

The models listed below **have pulse sensors with PWM control function.**

Model no.	Rated voltage [V]	Operating voltage range [V]	PWM duty cycle* [%]	Rated current [A]	Rated input [W]	Rated speed [min <sup>-1</sup> ]	Max. airflow [m <sup>3</sup> /min] [CFM]		Max. static pressure [Pa] [inchH <sub>2</sub> O]		SPL [dB (A)]	Operating temperature [°C]	Expected life [h]				
9WL0812P4J001	12	10.8 to 13.2	100	0.6	7.2	7400	2.07	73.0	177	0.71	49	-20 to +70	180000/60°C (215000/40°C)				
			20	0.06	0.72	1800	0.5	17.6	10.4	0.04	16						
9WL0812P4G001			100	0.3	3.6	5500	1.54	54.3	98	0.39	43						
			25	0.05	0.6	1400	0.39	13.7	6.3	0.02	14						
9WL0812P4H001			100	0.12	1.44	3700	1.03	36.3	44	0.17	31						
			25	0.04	0.48	1100	0.3	10.5	3.9	0.01	13						
9WL0824P4J001			24	21.6 to 26.4	100	0.28	6.72	7400	2.07	73.0	177			0.71	49	-20 to +70	180000/60°C (215000/40°C)
					20	0.05	1.2	2400	0.67	23.6	18.6			0.07	22		
9WL0824P4G001	100	0.14			3.36	5500	1.54	54.3	98	0.39	43						
	20	0.02			0.48	1200	0.33	11.6	4.6	0.01	13						
9WL0824P4H001	100	0.05			1.2	3700	1.03	36.3	44	0.17	31						
	30	0.02			0.48	1100	0.3	10.5	3.9	0.01	13						

\* PWM input frequency is 25 kHz; models without specifications at 0% PWM duty cycle have zero fan speed at 0%.

The following sensor and control options are available for selection.

Differs according to the model. Refer to the table on p. 611. **Without sensor** **Pulse sensor** **Lock sensor**

The models listed below **have pulse sensors.**

Model no.	Rated voltage [V]	Operating voltage range [V]	Rated current [A]	Rated input [W]	Rated speed [min <sup>-1</sup> ]	Max. airflow [m <sup>3</sup> /min] [CFM]		Max. static pressure [Pa] [inchH <sub>2</sub> O]		SPL [dB (A)]	Operating temperature [°C]	Expected life [h]
9WL0812L4001	12	8 to 13.2	0.06	0.72	2300	0.64	22.6	17	0.068	22	-20 to +70	180000/60°C (215000/40°C)
9WL0824F4001	24	12 to 26.4	0.045	1.08	3300	0.92	32.5	35	0.14	29		

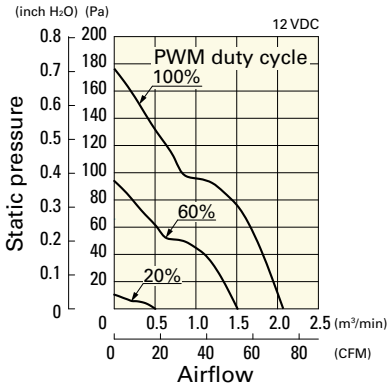
The following sensor and control options are available for selection.

Available for all models. **Without sensor**

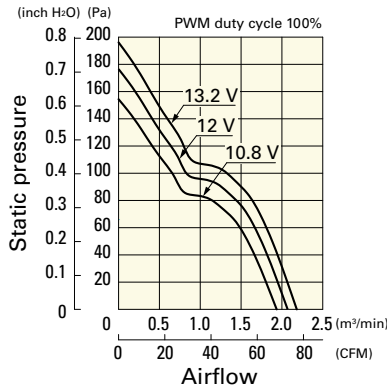
**Airflow - Static Pressure Characteristics / PWM Duty - Speed Characteristics Example**

**9WL0812P4J001** With pulse sensor with PWM control function

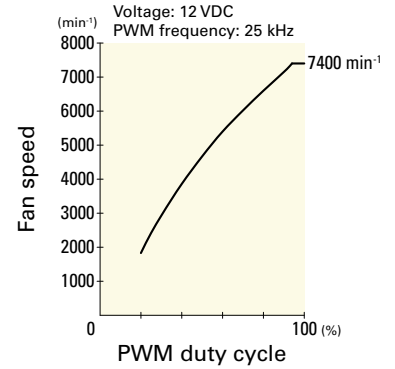
PWM duty cycle



Operating voltage range

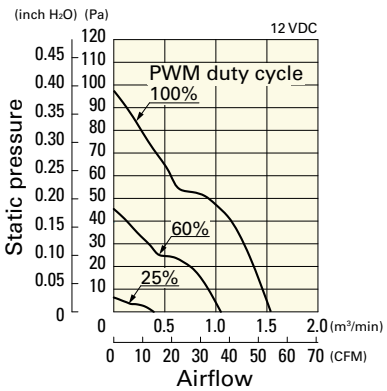


PWM duty - Speed characteristics example

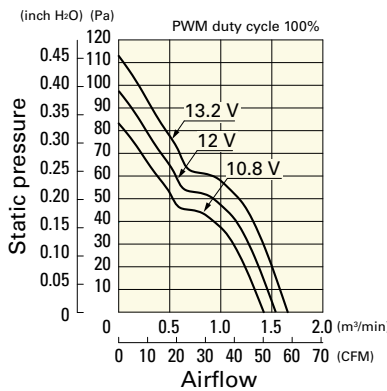


**9WL0812P4G001** With pulse sensor with PWM control function

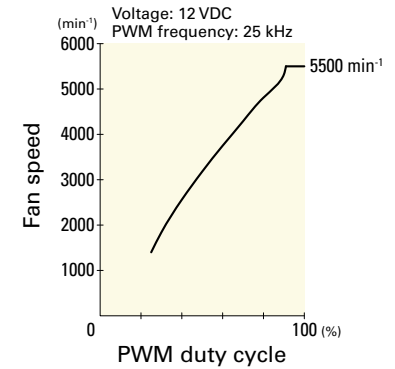
PWM duty cycle



Operating voltage range

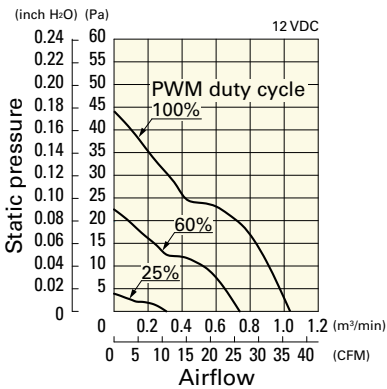


PWM duty - Speed characteristics example

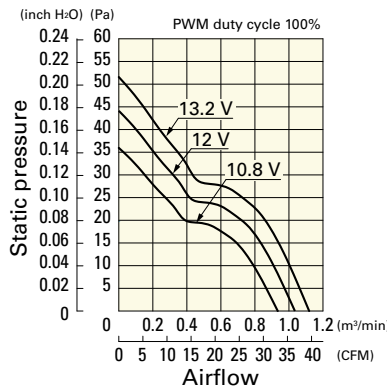


**9WL0812P4H001** With pulse sensor with PWM control function

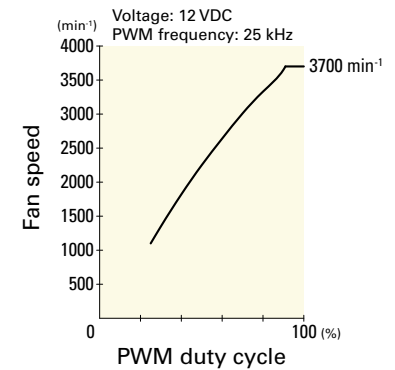
PWM duty cycle



Operating voltage range

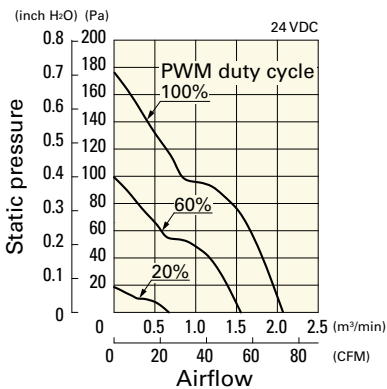


PWM duty - Speed characteristics example

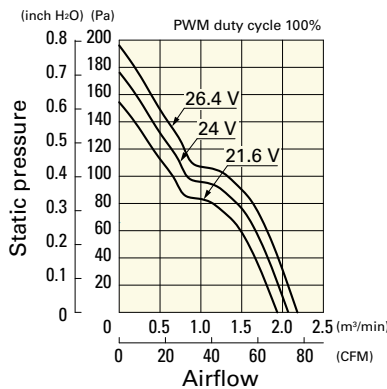


**9WL0824P4J001** With pulse sensor with PWM control function

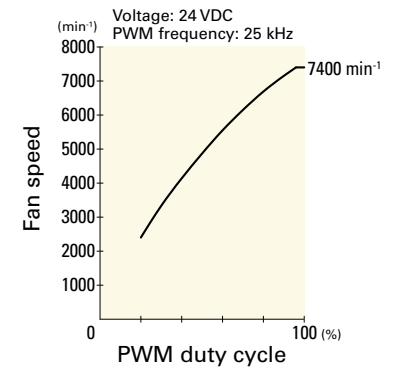
PWM duty cycle



Operating voltage range



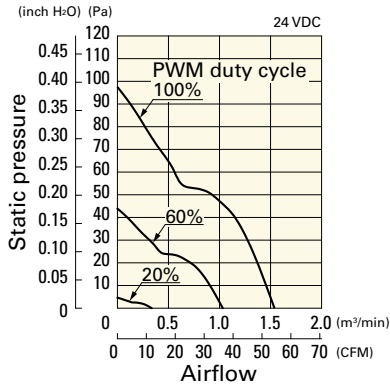
PWM duty - Speed characteristics example



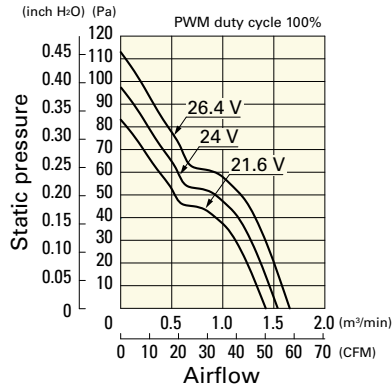
## Airflow - Static Pressure Characteristics / PWM Duty - Speed Characteristics Example

**9WL0824P4G001** With pulse sensor with PWM control function

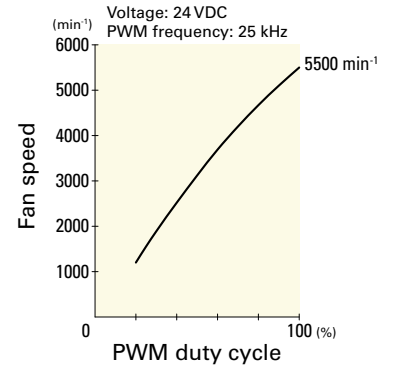
PWM duty cycle



Operating voltage range

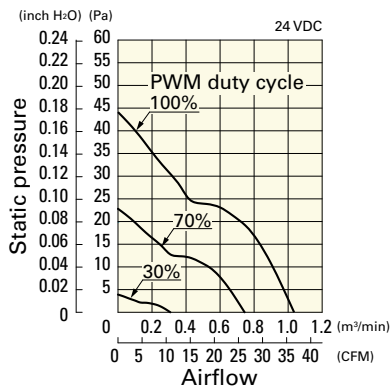


PWM duty - Speed characteristics example

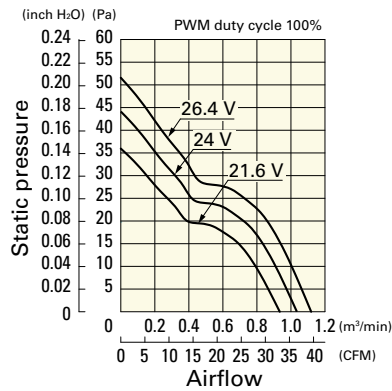


**9WL0824P4H001** With pulse sensor with PWM control function

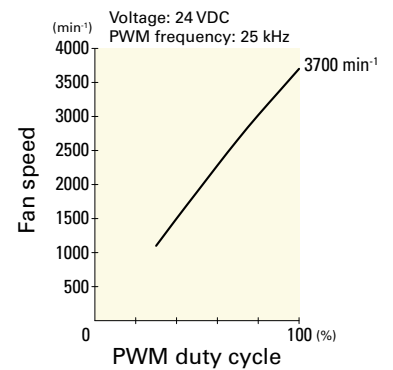
PWM duty cycle



Operating voltage range



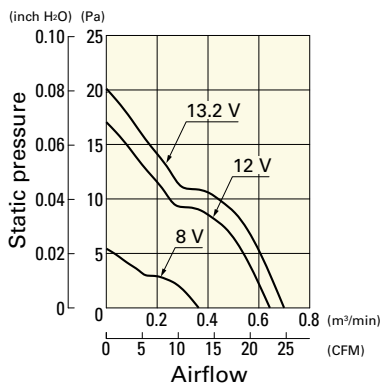
PWM duty - Speed characteristics example



## Airflow - Static Pressure Characteristics

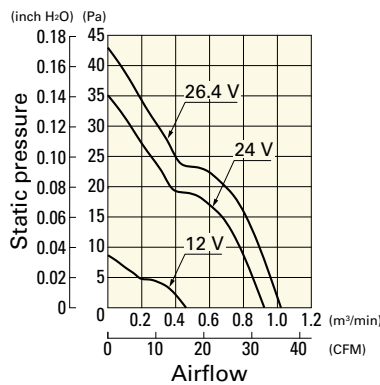
**9WL0812L4001** With pulse sensor

Operating voltage range

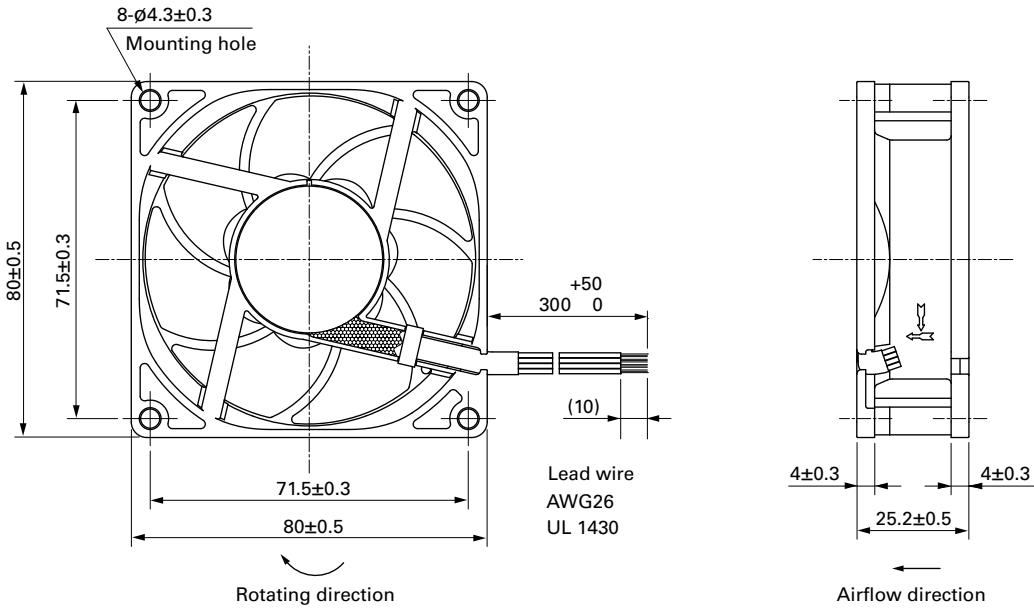


**9WL0824F4001** With pulse sensor

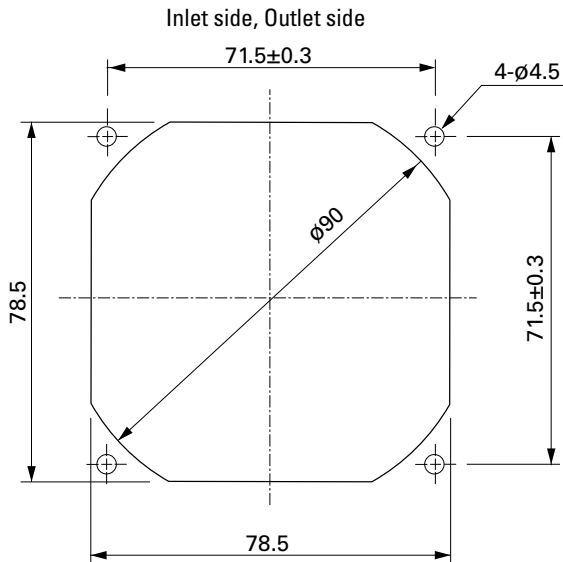
Operating voltage range



**Dimensions (unit: mm)**



**Reference Dimensions of Mounting Holes and Vent Opening (unit: mm)**



**Options**

**Finger guards**

page: p. 558

Model no.: 109-049E, 109-049H, 109-049C

**Resin finger guards**

page: p. 565

Model no.: 109-1002G



# 80x80x25 mm

San Ace 80W 9WP type

## General Specifications

- Material ..... Frame: Plastic (Flammability: UL 94V-0), Impeller: Plastic (Flammability: UL 94V-1)
- Expected life ..... See the table below. (L10 life: 90% survival rate for continuous operation in indoor free air at 60°C, rated voltage) Expected life at 40°C is for reference only.
- Motor protection function ..... Locked rotor burnout protection, Reverse polarity protection  
For details, please refer to p. 573.
- Dielectric strength ..... 50/60 Hz, 500 VAC, for 1 minute (between lead wire conductors and frame)
- Insulation resistance ..... 10 MΩ or more with a 500 VDC megger (between lead wire conductors and frame)
- Sound pressure level (SPL) ..... At 1 m away from the air inlet
- Storage temperature ..... -30 to +70°C (Non-condensing)
- Lead wire ..... ⊕Red ⊖Black Sensor Yellow
- Mass ..... 130 g
- Ingress protection ..... IP68

## Specifications

The models listed below **have ribs and pulse sensors**. For models without ribs, append "1" to the end of model numbers.

Model no.	Rated voltage [V]	Operating voltage range [V]	Rated current [A]	Rated input [W]	Rated speed [min <sup>-1</sup> ]	Max. airflow [m <sup>3</sup> /min] [CFM]	Max. static pressure [Pa] [inchH <sub>2</sub> O]	SPL [dB (A)]	Operating temperature [°C]	Expected life [h]
9WP0812G401	12	10.8 to 13.2	0.38	4.56	4500	1.5 53	80.4 0.323	40	-20 to +60	40000/60°C (70000/40°C)
9WP0812H401		10.2 to 13.8	0.13	1.56	2900	1.03 36.4	35.3 0.142	29		60000/60°C (90000/40°C)
9WP0824S401	24	20.4 to 27.6	0.1	2.4	3400	1.2 42.4	48.0 0.193	34		40000/60°C (70000/40°C)
9WP0824H401			0.07	1.68	2900	1.03 36.4	35.3 0.142	29		60000/60°C (90000/40°C)
9WP0848S401	48	40.8 to 55.2	0.06	2.88	3400	1.2 42.4	48.0 0.193	34		40000/60°C (70000/40°C)

The following sensor and control options are available for selection.

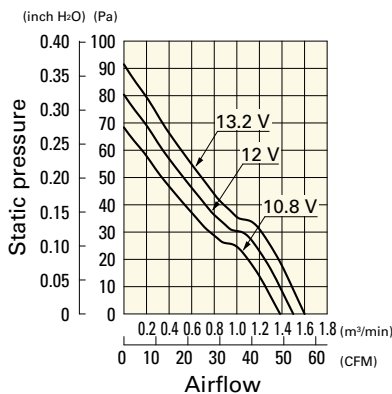
Available for all models. **Without sensor**

Differs according to the model. Refer to the table on p. 612. **Lock sensor** **PWM control**

## Airflow - Static Pressure Characteristics

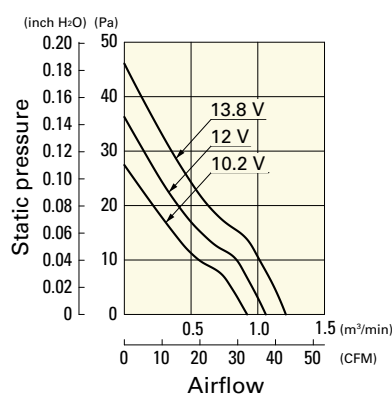
9WP0812G401 With pulse sensor

Operating voltage range



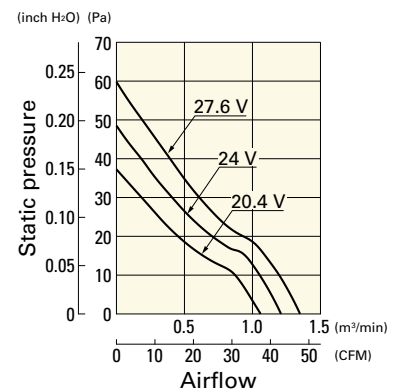
9WP0812H401 With pulse sensor

Operating voltage range



9WP0824S401 With pulse sensor

Operating voltage range



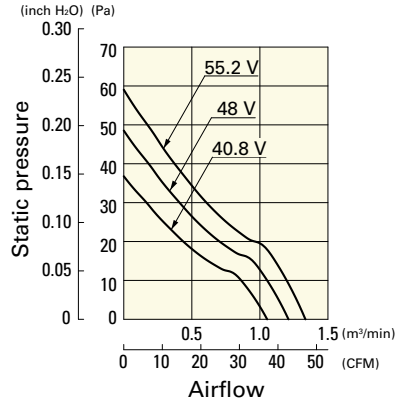
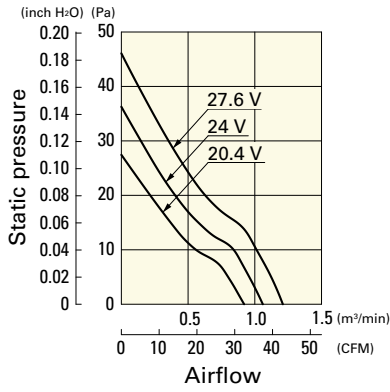
**Airflow - Static Pressure Characteristics**

**9WP0824H401** With pulse sensor

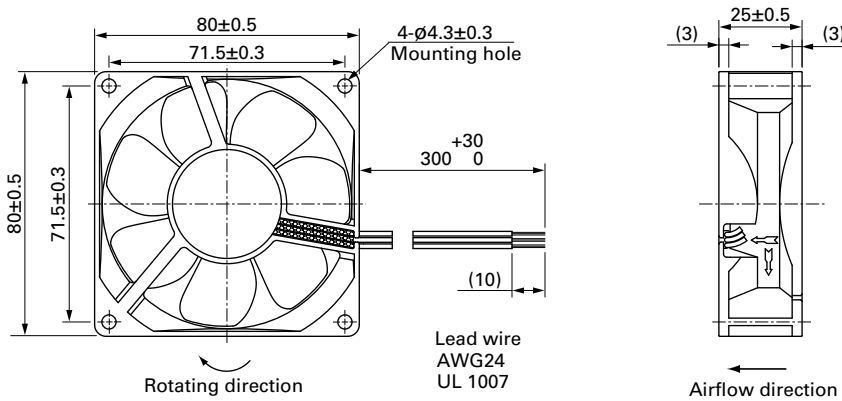
**9WP0848S401** With pulse sensor

Operating voltage range

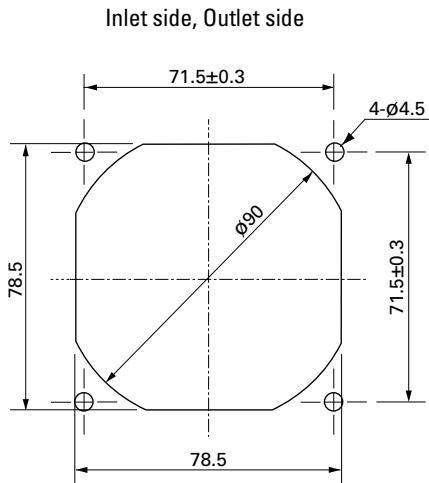
Operating voltage range



**Dimensions (unit: mm) (With ribs)**



**Reference Dimensions of Mounting Holes and Vent Opening (unit: mm)**



**Options**

Finger guards

page: p. 558

Model no.: 109-049E, 109-049H, 109-049C

Resin finger guards

page: p. 565

Model no.: 109-1002G





# 80x80x38 mm

San Ace 80W 9WV type

## General Specifications

- Material ..... Frame: Plastic (Flammability: UL 94V-0), Impeller: Plastic (Flammability: UL 94V-1)
- Expected life ..... See the table below. (L10 life: 90% survival rate for continuous operation in indoor free air at 60°C, rated voltage)  
Expected life at 40°C is for reference only.
- Motor protection function ..... Locked rotor burnout protection, Reverse polarity protection  
For details, please refer to p. 573.
- Dielectric strength ..... 50/60 Hz, 500 VAC, for 1 minute (between lead wire conductors and frame)
- Insulation resistance ..... 10 MΩ or more with a 500 VDC megger (between lead wire conductors and frame)
- Sound pressure level (SPL) ..... At 1 m away from the air inlet
- Storage temperature ..... -30 to +70°C (Non-condensing)
- Lead wire ..... ⊕Red ⊖Black  Sensor  Yellow  Control  Brown
- Mass ..... 235 g
- Ingress protection ..... IP68

## Specifications

The models listed below **have ribs and pulse sensors with PWM control function**. For models without ribs, append "1" to the end of model numbers.

Model no.	Rated voltage [V]	Operating voltage range [V]	PWM duty cycle [%]	Rated current [A]	Rated input [W]	Rated speed [min <sup>-1</sup> ]	Max. airflow [m <sup>3</sup> /min] [CFM]	Max. static pressure [Pa] [inchH <sub>2</sub> O]	SPL [dB (A)]	Operating temperature [°C]	Expected life [h]
9WV0812P1M001	12	10.2 to 13.8	100	0.75	9	6000	2.29 80.9	169 0.68	51	-20 to +70	40000/60°C (70000/40°C)
			0	0.09	1.08	1700	0.65 23	13.6 0.05	19		
9WV0848P1H001	48	40.8 to 52.8	100	0.75	36	9700	3.7 131	440 1.77	63		
			0	0.15	7.2	4500	1.72 60.7	94.7 0.38	43		

\* PWM input frequency is 25 kHz; models without specifications at 0% PWM duty cycle have zero fan speed at 0%.

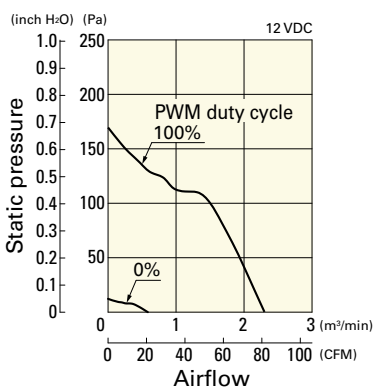
The following sensor and control options are available for selection.

Differs according to the model. Refer to the table on p. 613.  Pulse sensor  Lock sensor

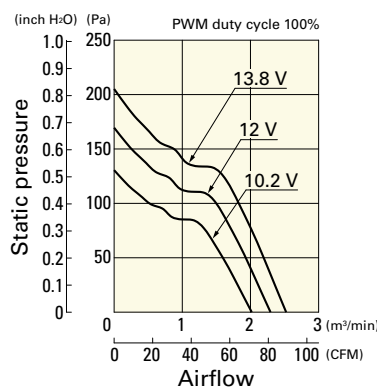
## Airflow - Static Pressure Characteristics / PWM Duty - Speed Characteristics Example

**9WV0812P1M001** With pulse sensor with PWM control function

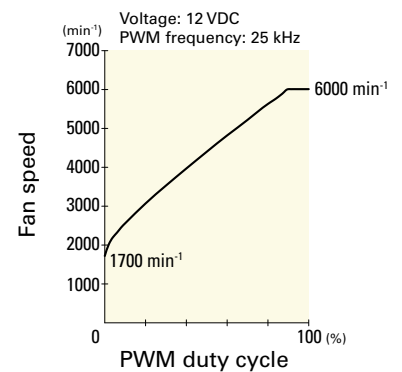
PWM duty cycle



Operating voltage range



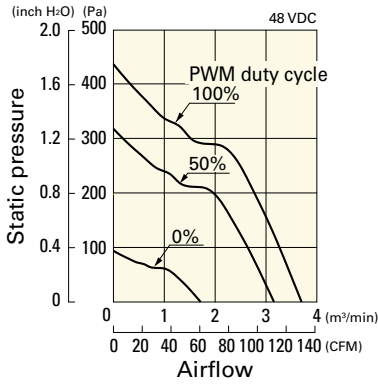
PWM duty - Speed characteristics example



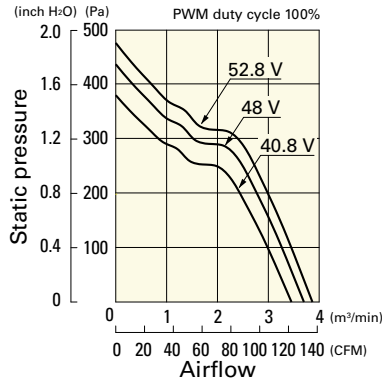
**Airflow - Static Pressure Characteristics / PWM Duty - Speed Characteristics Example**

**9WV0848P1H001** With pulse sensor with PWM control function

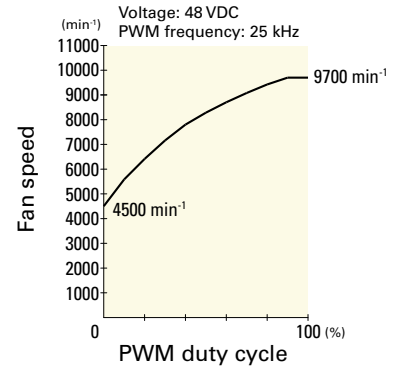
PWM duty cycle



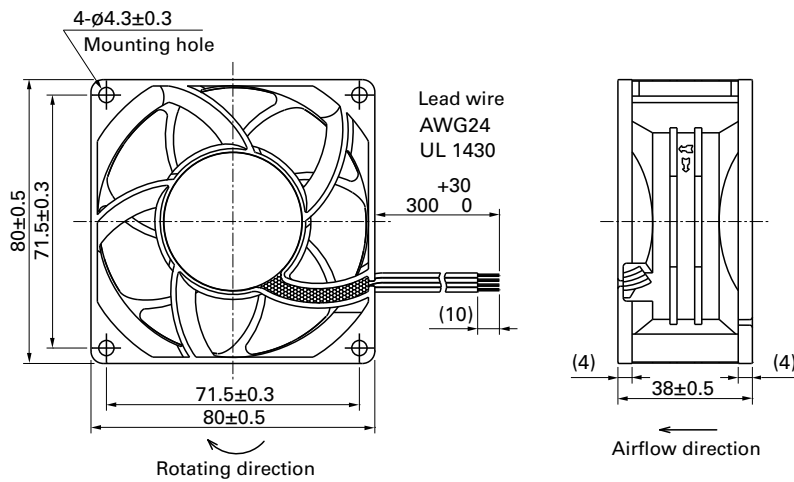
Operating voltage range



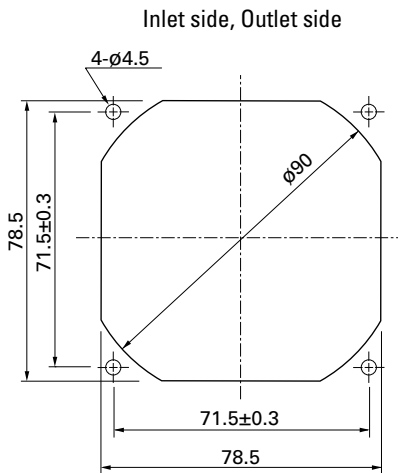
PWM duty - Speed characteristics example



**Dimensions (unit: mm) (With ribs)**



**Reference Dimensions of Mounting Holes and Vent Opening (unit: mm)**



**Options**

Finger guards

page: p. 558

Model no.: 109-049E, 109-049H, 109-049C

Resin finger guards

page: p. 565

Model no.: 109-1002G



# 92x92x25 mm

San Ace 92W 9WL type   

## General Specifications

- Material ..... Frame: Aluminum (Black coating), Impeller: Plastic (Flammability: UL 94V-1)
- Expected life ..... See the table below. (L10 life: 90% survival rate for continuous operation in indoor free air at 60°C, rated voltage)  
Expected life at 40°C is for reference only.
- Motor protection function ..... Locked rotor burnout protection, Reverse polarity protection  
For details, please refer to p. 573.
- Dielectric strength ..... 50/60 Hz, 500 VAC, for 1 minute (between lead wire conductors and frame)
- Insulation resistance ..... 10 MΩ or more with a 500 VDC megger (between lead wire conductors and frame)
- Sound pressure level (SPL) ..... At 1 m away from the air inlet
- Storage temperature ..... -30 to +70°C (Non-condensing)
- Lead wire ..... ⊕Red ⊖Black Sensor Yellow Control Brown  
(For models without PWM control function, there is no speed control wiring.)
- Mass ..... 170 g
- Ingress protection ..... IP68

## Specifications

The models listed below **have pulse sensors with PWM control function.**

Model no.	Rated voltage [V]	Operating voltage range [V]	PWM duty cycle* [%]	Rated current [A]	Rated input [W]	Rated speed [min <sup>-1</sup> ]	Max. airflow [m <sup>3</sup> /min] [CFM]		Max. static pressure [Pa] [inchH <sub>2</sub> O]		SPL [dB (A)]	Operating temperature [°C]	Expected life [h]	
9WL0912P4J001	12	10.8 to 13.2	100	0.42	5.04	5000	2.2	77.7	105	0.42	44	-20 to +70	180000/60°C (215000/40°C)	
			20	0.04	0.48	1200	0.52	18.4	6.04	0.024	11			
9WL0912P4G001			100	0.3	3.6	4400	1.93	68.2	81	0.33	40			
			20	0.04	0.48	1000	0.43	15.1	4.18	0.016	8			
9WL0912P4S001			100	0.22	2.64	3850	1.69	59.7	62.1	0.25	37			
			30	0.04	0.48	1400	0.61	21.5	8.21	0.032	13			
9WL0912P4H001		100	0.15	1.8	3150	1.38	48.7	41.6	0.17	32				
		30	0.04	0.48	1100	0.48	16.9	5.07	0.02	9				
9WL0924P4J001		24	21.6 to 26.4	100	0.21	5.04	5000	2.2	77.7	105	0.42			44
				20	0.02	0.48	1100	0.48	16.9	5.07	0.02			9
9WL0924P4S001				100	0.11	2.64	3850	1.69	59.7	62.1	0.25			37
				30	0.02	0.48	1300	0.57	20.1	7.08	0.028			12
9WL0924P4H001	100			0.07	1.68	3150	1.38	48.7	41.6	0.17	32			
	30			0.02	0.48	1000	0.43	15.1	4.18	0.016	8			

\* PWM input frequency is 25 kHz; models without specifications at 0% PWM duty cycle have zero fan speed at 0%.

The following sensor and control options are available for selection.

Differs according to the model. Refer to the table on pp. 611 to 612. **Without sensor** **Pulse sensor** **Lock sensor**

The models listed below **have pulse sensors.**

Model no.	Rated voltage [V]	Operating voltage range [V]	Rated current [A]	Rated input [W]	Rated speed [min <sup>-1</sup> ]	Max. airflow [m <sup>3</sup> /min] [CFM]		Max. static pressure [Pa] [inchH <sub>2</sub> O]		SPL [dB (A)]	Operating temperature [°C]	Expected life [h]
9WL0912M4001	12	10.2 to 13.8	0.08	0.96	2400	1.05	37.1	24.1	0.097	24	-20 to +70	180000/60°C (215000/40°C)
9WL0924F4001	24	20.4 to 27.6	0.05	1.2	2800	1.22	43.1	32.8	0.13	29		
9WL0924M4001			0.04	0.96	2400	1.05	37.1	24.1	0.097	24		

The following sensor and control options are available for selection.

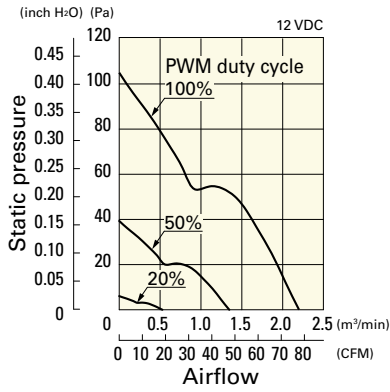
Available for all models. **Without sensor**

Differs according to the model. Refer to the table on p. 611. **Lock sensor**

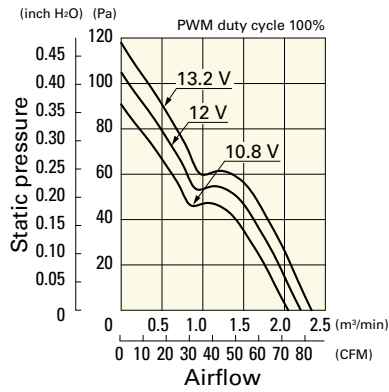
## Airflow - Static Pressure Characteristics / PWM Duty - Speed Characteristics Example

**9WL0912P4J001** With pulse sensor with PWM control function

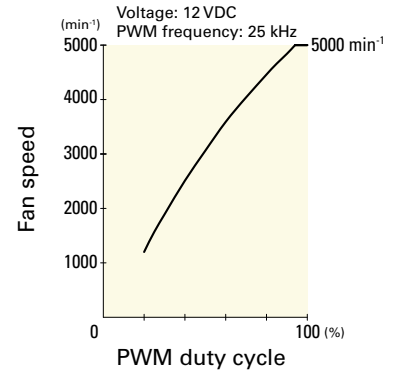
PWM duty cycle



Operating voltage range

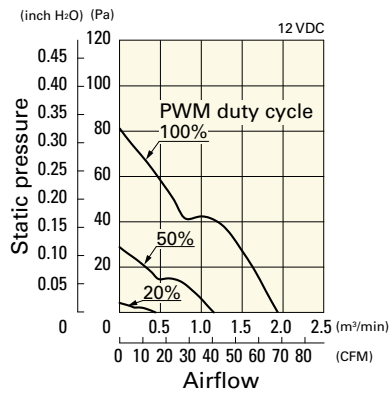


PWM duty - Speed characteristics example

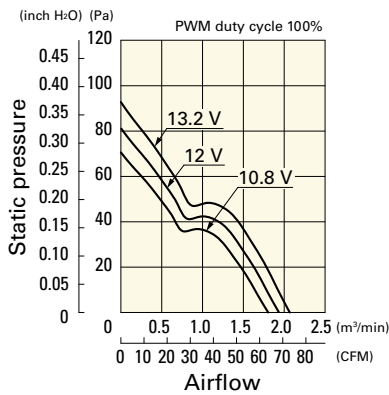


**9WL0912P4G001** With pulse sensor with PWM control function

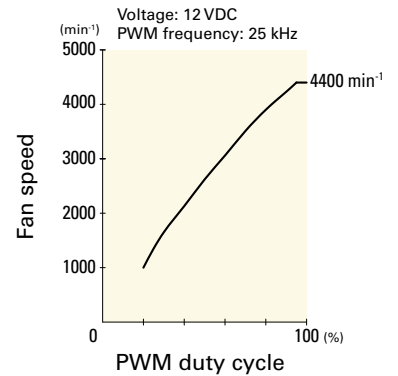
PWM duty cycle



Operating voltage range

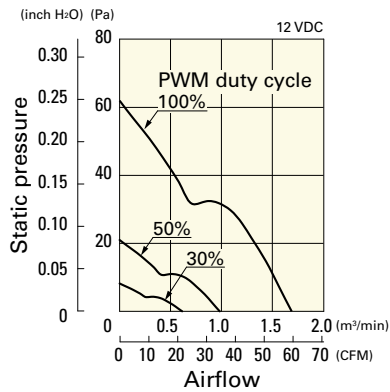


PWM duty - Speed characteristics example

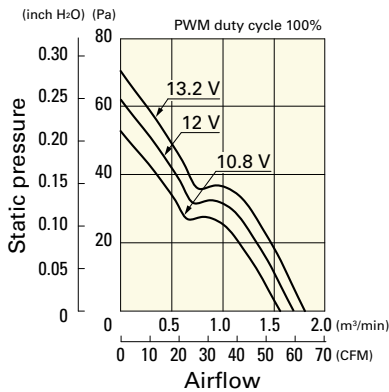


**9WL0912P4S001** With pulse sensor with PWM control function

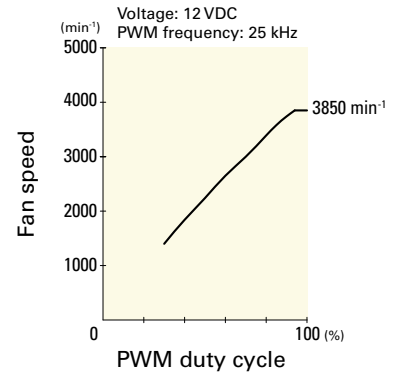
PWM duty cycle



Operating voltage range

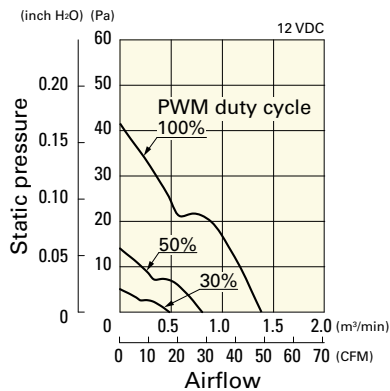


PWM duty - Speed characteristics example

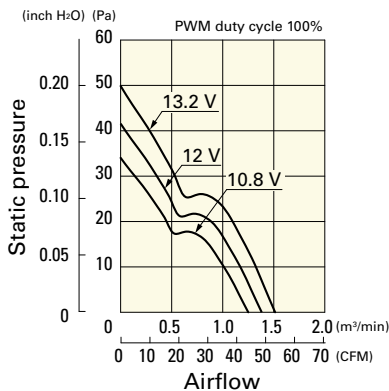


**9WL0912P4H001** With pulse sensor with PWM control function

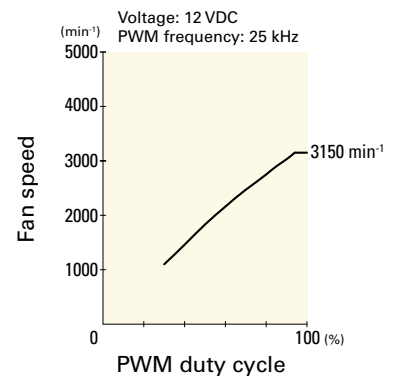
PWM duty cycle



Operating voltage range



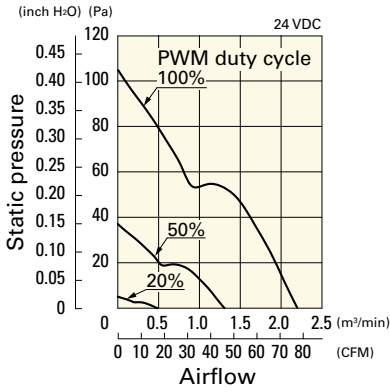
PWM duty - Speed characteristics example



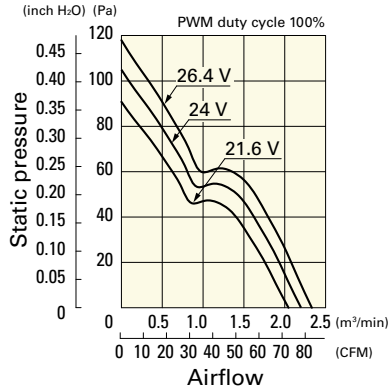
# Airflow - Static Pressure Characteristics / PWM Duty - Speed Characteristics Example

**9WL0924P4J001** With pulse sensor with PWM control function

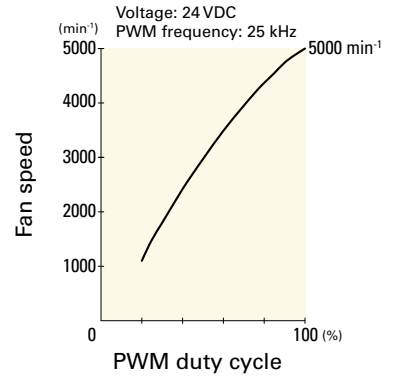
PWM duty cycle



Operating voltage range

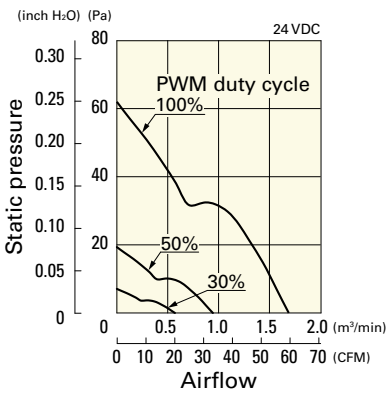


PWM duty - Speed characteristics example

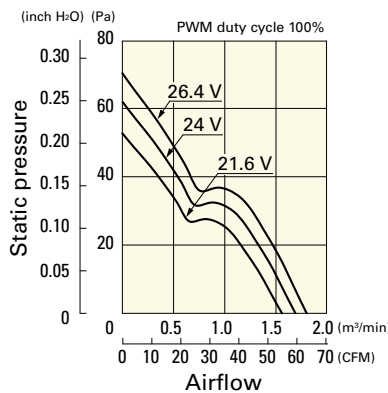


**9WL0924P4S001** With pulse sensor with PWM control function

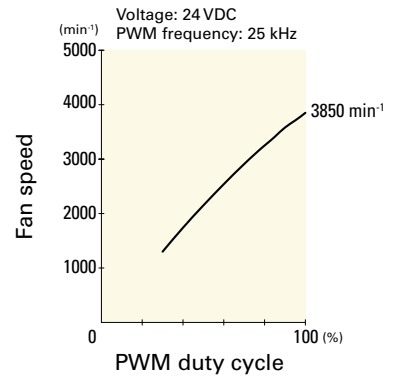
PWM duty cycle



Operating voltage range

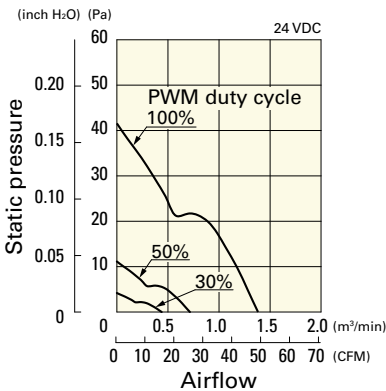


PWM duty - Speed characteristics example

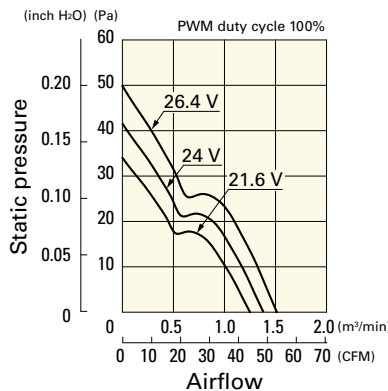


**9WL0924P4H001** With pulse sensor with PWM control function

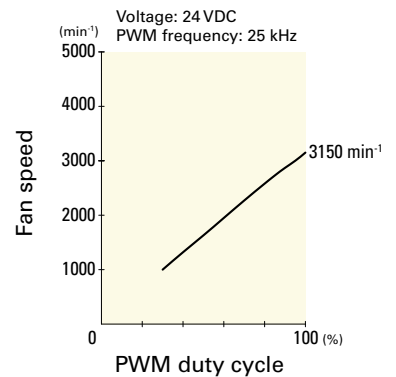
PWM duty cycle



Operating voltage range



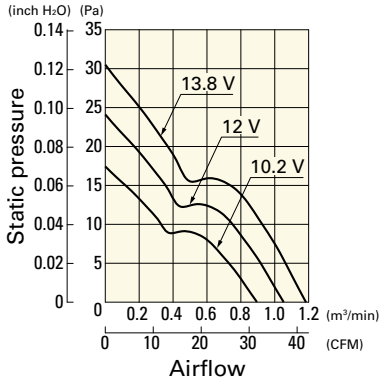
PWM duty - Speed characteristics example



**Airflow - Static Pressure Characteristics**

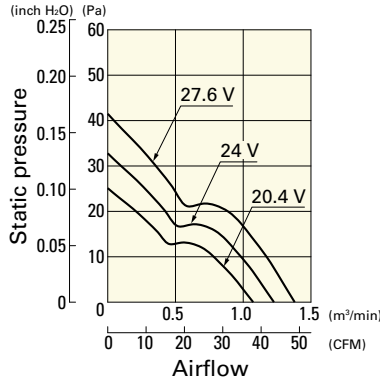
**9WL0912M4001** With pulse sensor

Operating voltage range



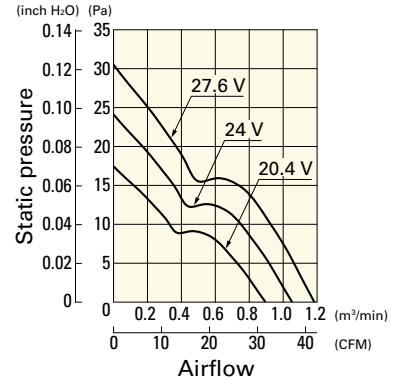
**9WL0924F4001** With pulse sensor

Operating voltage range

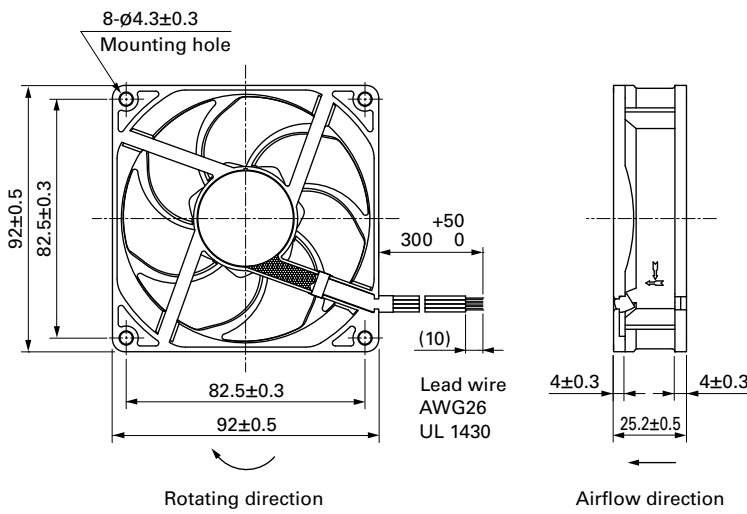


**9WL0924M4001** With pulse sensor

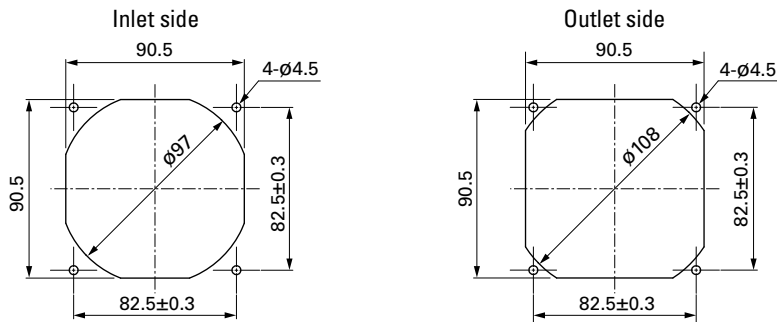
Operating voltage range



**Dimensions (unit: mm)**



**Reference Dimensions of Mounting Holes and Vent Opening (unit: mm)**



**Options**

Finger guards

page: p. 558

Model no.: 109-099E, 109-099H, 109-099C

Resin finger guards

page: p. 565

Model no.: 109-1001G



# 92x92x25 mm

San Ace 92W 9WP type

## General Specifications

- Material ..... Frame: Plastic (Flammability: UL 94V-0), Impeller: Plastic (Flammability: UL 94V-0)
- Expected life ..... See the table below. (L10 life: 90% survival rate for continuous operation in indoor free air at 60°C, rated voltage) Expected life at 40°C is for reference only.
- Motor protection function ..... Locked rotor burnout protection, Reverse polarity protection For details, please refer to p. 573.
- Dielectric strength ..... 50/60 Hz, 500 VAC, for 1 minute (between lead wire conductors and frame)
- Insulation resistance ..... 10 MΩ or more with a 500 VDC megger (between lead wire conductors and frame)
- Sound pressure level (SPL) ..... At 1 m away from the air inlet
- Storage temperature ..... -30 to +70°C (Non-condensing)
- Lead wire ..... ⊕Red ⊖Black or Blue  Sensor Yellow
- Mass ..... 120 g
- Ingress protection ..... IP68

## Specifications

The models listed below **have ribs and pulse sensors**. For models without ribs, append "1" to the end of model numbers.

Model no.	Rated voltage [V]	Operating voltage range [V]	Rated current [A]	Rated input [W]	Rated speed [min <sup>-1</sup> ]	Max. airflow [m <sup>3</sup> /min] [CFM]	Max. static pressure [Pa] [inchH <sub>2</sub> O]	SPL [dB (A)]	Operating temperature [°C]	Expected life [h]
9WP0912S401	12	6 to 13.8	0.27	3.24	3550	1.66 58.6	56.1 0.225	39	-20 to +70	40000/60°C (70000/40°C)
9WP0912F401			0.14	1.68	2650	1.24 43.8	32.2 0.129	30		
9WP0924G401	24	12 to 27.6	0.19	4.56	3900	1.76 62.2	66.5 0.267	43		
9WP0924S401			0.15	3.6	3550	1.66 58.6	56.1 0.225	39		
9WP0924H401			0.1	2.4	3150	1.45 51.2	44 0.177	33		
9WP0924F401			0.08	1.92	2650	1.24 43.8	32.2 0.129	30		
9WP0924B401			0.05	1.2	2000	0.9 31.8	18.0 0.072	23	-10 to +70	

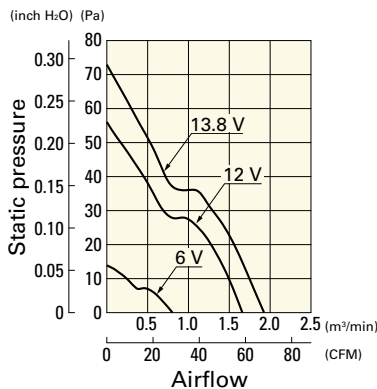
The following sensor and control options are available for selection.

Differs according to the model. Refer to the table on pp. 612 to 613.  Without sensor  Lock sensor

## Airflow - Static Pressure Characteristics

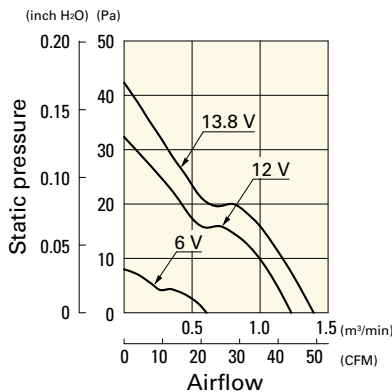
9WP0912S401 With pulse sensor

Operating voltage range



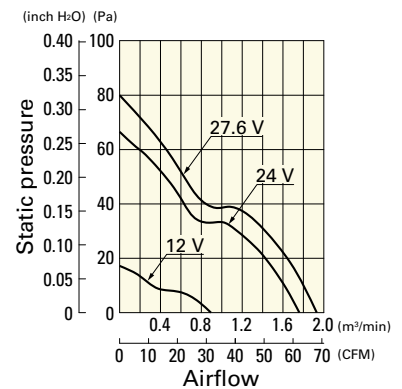
9WP0912F401 With pulse sensor

Operating voltage range



9WP0924G401 With pulse sensor

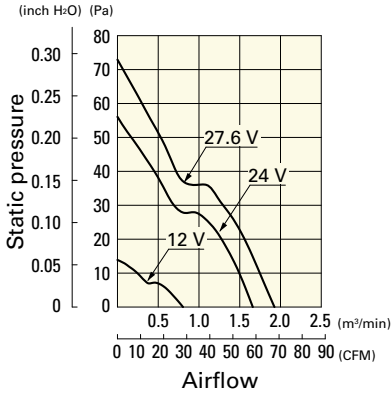
Operating voltage range



**Airflow - Static Pressure Characteristics**

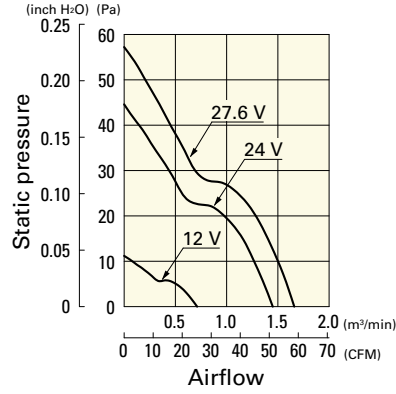
**9WP0924S401** With pulse sensor

Operating voltage range



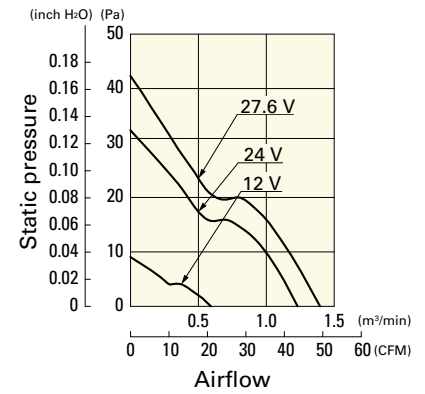
**9WP0924H401** With pulse sensor

Operating voltage range



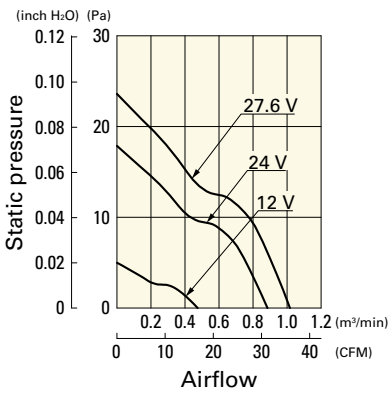
**9WP0924F401** With pulse sensor

Operating voltage range

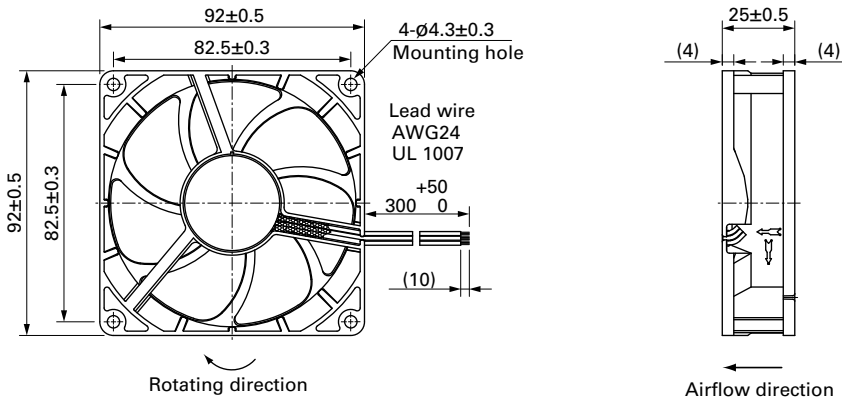


**9WP0924B401** With pulse sensor

Operating voltage range

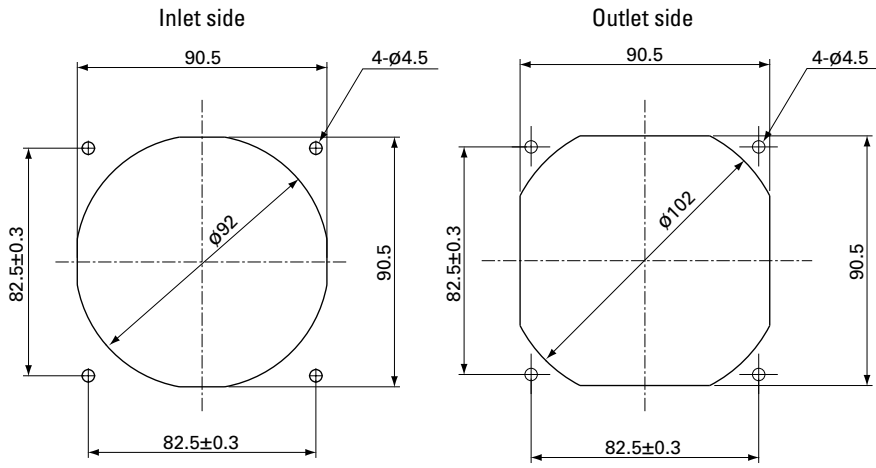


**Dimensions (unit: mm)** (With ribs)





Reference Dimensions of Mounting Holes and Vent Opening (unit: mm)



Options

Finger guards

page: p. 558

Model no.: 109-099E, 109-099H, 109-099C

Resin finger guards

page: p. 565

Model no.: 109-1001G



# 92x92x38 mm

San Ace 92W 9WL type    US

DC  
Splash Proof Fan 92 mm sq.

## General Specifications

- Material ..... Frame: Aluminum (Black coating), Impeller: Plastic (Flammability: UL 94V-1)
- Expected life ..... See the table below. (L10 life: 90% survival rate for continuous operation in indoor free air at 60°C, rated voltage)  
Expected life at 40°C is for reference only.
- Motor protection function ..... Locked rotor burnout protection, Reverse polarity protection  
For details, please refer to p. 573.
- Dielectric strength ..... 50/60 Hz, 500 VAC, for 1 minute (between lead wire conductors and frame)
- Insulation resistance ..... 10 MΩ or more with a 500 VDC megger (between lead wire conductors and frame)
- Sound pressure level (SPL) ..... At 1 m away from the air inlet
- Storage temperature ..... -30 to +70°C (Non-condensing)
- Lead wire ..... ⊕Red ⊖Black Sensor Yellow Control Brown
- Mass ..... 300 g
- Ingress protection ..... IP68

## Specifications

The models listed below **have pulse sensors with PWM control function.**

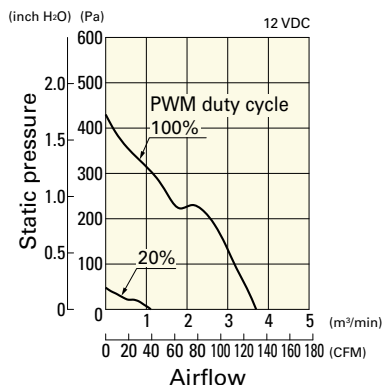
Model no.	Rated voltage [V]	Operating voltage range [V]	PWM duty cycle [%]	Rated current [A]	Rated input [W]	Rated speed [min <sup>-1</sup> ]	Max. airflow [m <sup>3</sup> /min] [CFM]	Max. static pressure [Pa] [inchH <sub>2</sub> O]	SPL [dB (A)]	Operating temperature [°C]	Expected life [h]
9WL0912P1H001	12	10.2 to 13.2	100	1.9	22.8	9000	3.7 130.6	430 1.72	61	-20 to +70	100000/60°C (135000/40°C)
			20	0.13	1.56	2700	1.11 39.1	48.0 0.19	30		
9WL0912P1F001	12	10.2 to 13.2	100	0.95	11.4	7000	2.9 102.4	263 1.05	55		
			20	0.1	1.2	2000	0.83 29.3	26.3 0.1	22		
9WL0924P1H001	24	20.4 to 26.4	100	0.95	22.8	9000	3.7 130.6	430 1.72	61		
			20	0.07	1.68	2700	1.11 39.1	48.0 0.19	30		
9WL0924P1F001	24	20.4 to 26.4	100	0.5	12	7000	2.9 102.4	263 1.05	55		
			20	0.06	1.44	2000	0.83 29.3	26.3 0.1	22		
9WL0948P1H601	48	40.8 to 52.8	100	0.48	23.04	9000	3.7 130.6	430 1.72	61		
			20	0.05	2.4	2700	1.11 39.1	48.0 0.19	30		
9WL0948P1F601	48	40.8 to 52.8	100	0.24	11.52	7000	2.9 102.4	263 1.05	55		
			20	0.05	2.4	2000	0.83 29.3	26.3 0.1	22		

\* PWM input frequency is 25 kHz; models without specifications at 0% PWM duty cycle have zero fan speed at 0%.

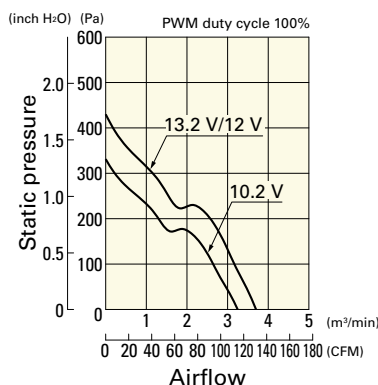
## Airflow - Static Pressure Characteristics / PWM Duty - Speed Characteristics Example

**9WL0912P1H001** With pulse sensor with PWM control function

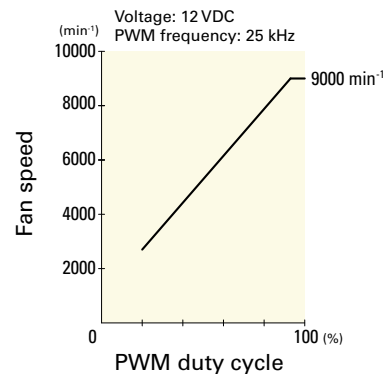
PWM duty cycle



Operating voltage range



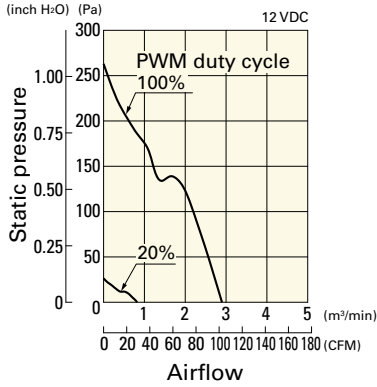
PWM duty - Speed characteristics example



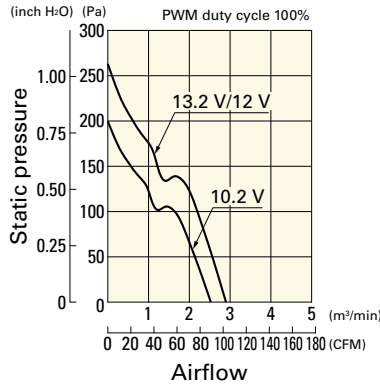
# Airflow - Static Pressure Characteristics / PWM Duty - Speed Characteristics Example

**9WL0912P1F001** With pulse sensor with PWM control function

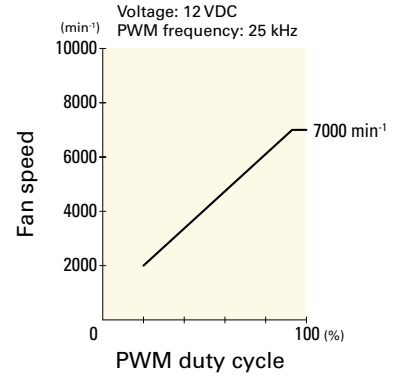
PWM duty cycle



Operating voltage range

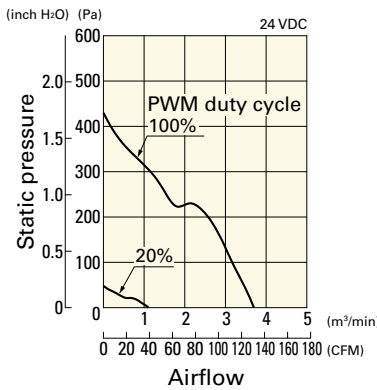


PWM duty - Speed characteristics example

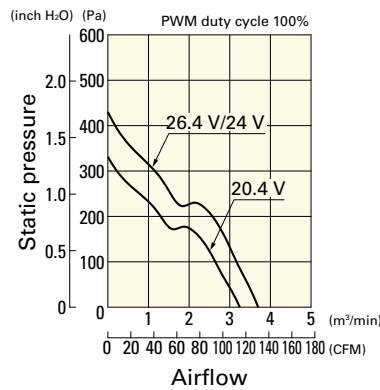


**9WL0924P1H001** With pulse sensor with PWM control function

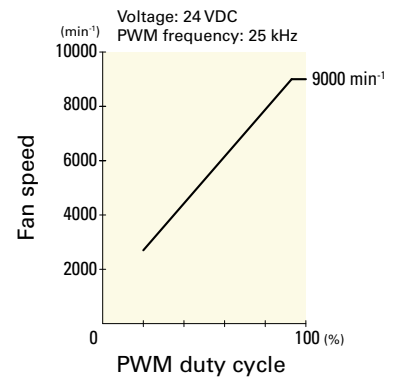
PWM duty cycle



Operating voltage range

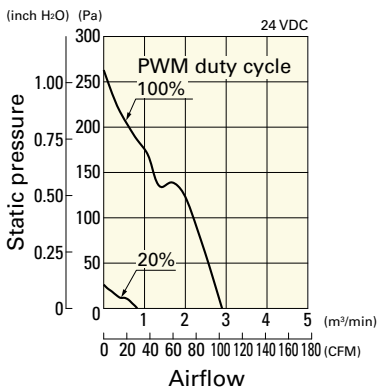


PWM duty - Speed characteristics example

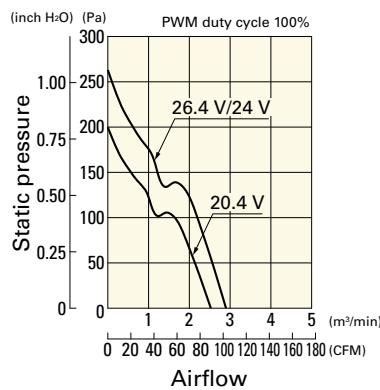


**9WL0924P1F001** With pulse sensor with PWM control function

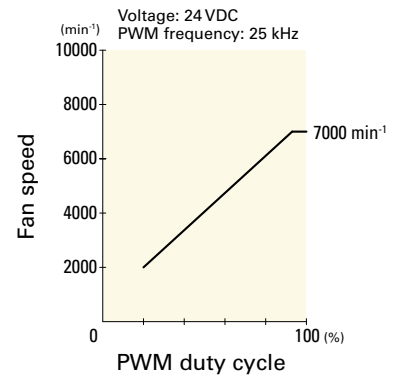
PWM duty cycle



Operating voltage range

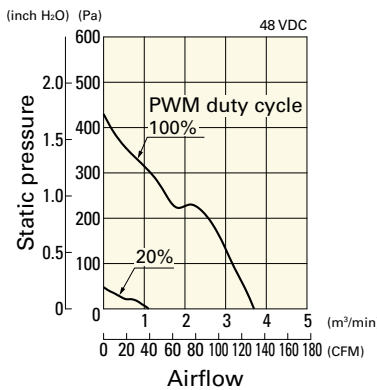


PWM duty - Speed characteristics example

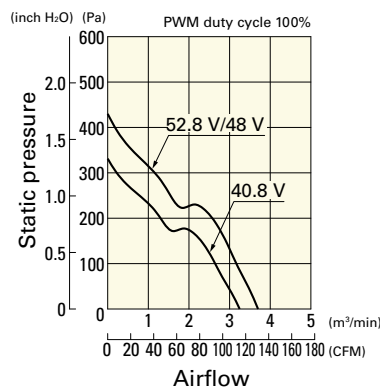


**9WL0948P1H601** With pulse sensor with PWM control function

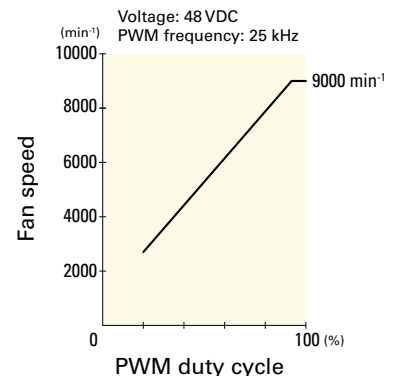
PWM duty cycle



Operating voltage range



PWM duty - Speed characteristics example

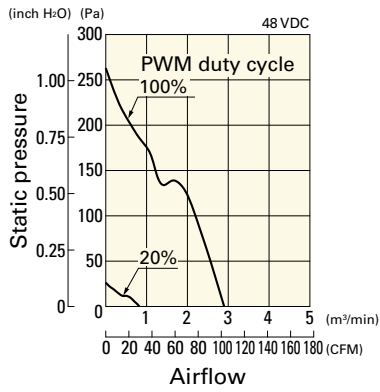


DC  
Splash Proof Fan 92 mm sq.

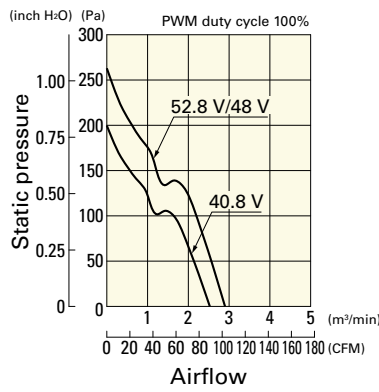
## Airflow - Static Pressure Characteristics / PWM Duty - Speed Characteristics Example

**9WL0948P1F601** With pulse sensor with PWM control function

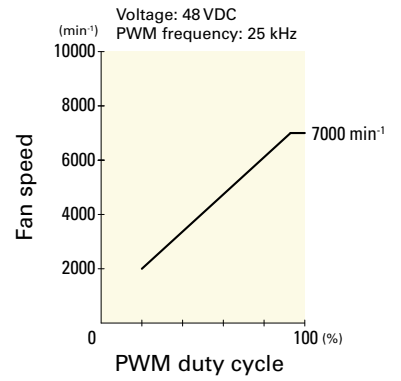
PWM duty cycle



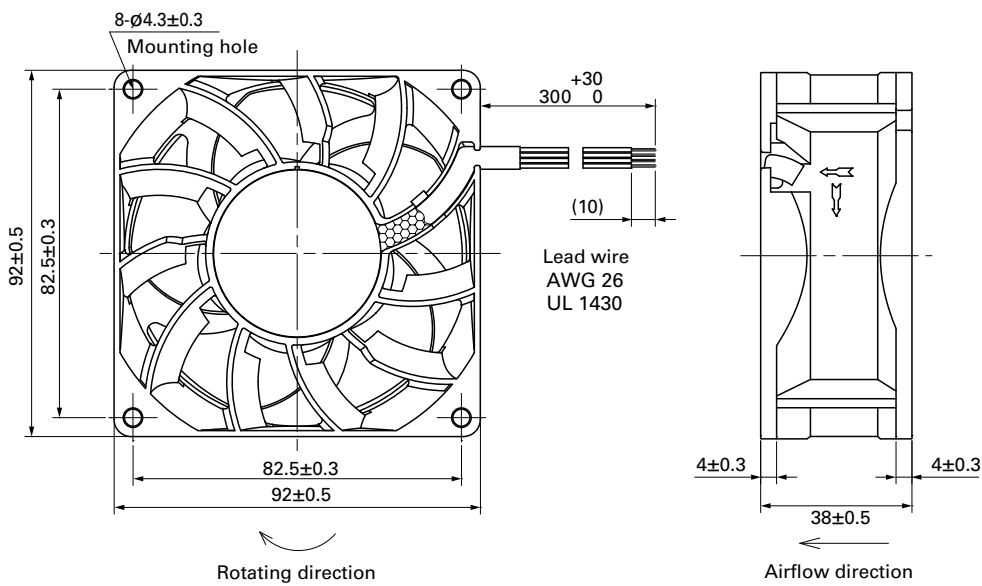
Operating voltage range



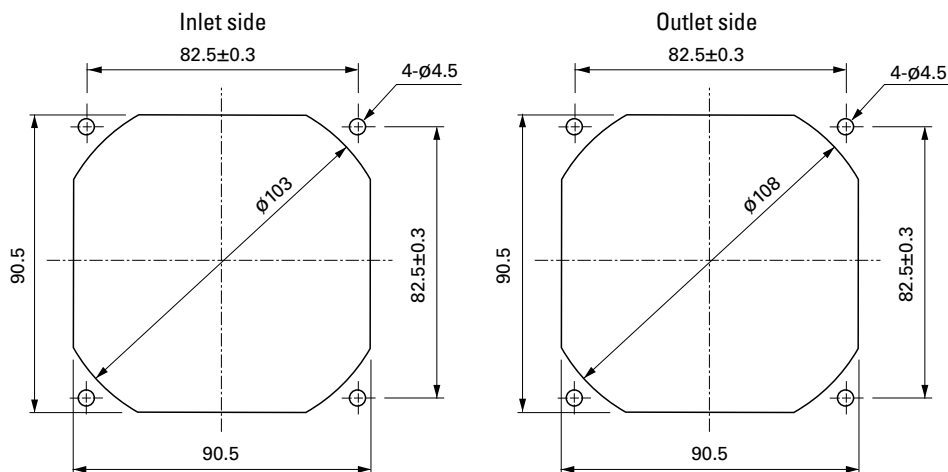
PWM duty - Speed characteristics example



## Dimensions (unit: mm)



## Reference Dimensions of Mounting Holes and Vent Opening (unit: mm)



## Options

Finger guards

page: p. 558

Model no.: 109-099E, 109-099H, 109-099C

Resin finger guards

page: p. 565

Model no.: 109-1001G



# 92x92x38 mm

San Ace 92W 9WV type

## General Specifications

- Material ..... Frame: Plastic (Flammability: UL 94V-0), Impeller: Plastic (Flammability: UL 94V-1)
- Expected life ..... See the table below. (L10 life: 90% survival rate for continuous operation in indoor free air at 60°C, rated voltage)  
Expected life at 40°C is for reference only.
- Motor protection function ..... Locked rotor burnout protection, Reverse polarity protection  
For details, please refer to p. 573.
- Dielectric strength ..... 50/60 Hz, 500 VAC, for 1 minute (between lead wire conductors and frame)
- Insulation resistance ..... 10 MΩ or more with a 500 VDC megger (between lead wire conductors and frame)
- Sound pressure level (SPL) ..... At 1 m away from the air inlet
- Storage temperature ..... -30 to +70°C (Non-condensing)
- Lead wire ..... ⊕Red ⊖Black Sensor Yellow Control Brown
- Mass ..... 265 g
- Ingress protection ..... IP68

## Specifications

The models listed below **have ribs and pulse sensors with PWM control function.**

Model no.	Rated voltage [V]	Operating voltage range [V]	PWM duty cycle [%]	Rated current [A]	Rated input [W]	Rated speed [min <sup>-1</sup> ]	Max. airflow [m <sup>3</sup> /min] [CFM]	Max. static pressure [Pa] [inchH <sub>2</sub> O]	SPL [dB (A)]	Operating temperature [°C]	Expected life [h]
9WV0924P1H001	24	20.4 to 26.4	100	1.6	38.4	8500	5.05 178	385 1.55	64	-20 to +60	30000/60°C (53000/40°C)
			20	0.16	3.84	3000	1.78 62.9	47.9 0.19	38		
9WV0948P1H001	48	40.8 to 52.8	100	0.82	39.4	8500	5.05 178	385 1.55	64	-20 to +70	
			0	0.14	6.7	4000	2.37 83.7	85.2 0.34	45		

\* PWM input frequency is 25 kHz; models without specifications at 0% PWM duty cycle have zero fan speed at 0%.

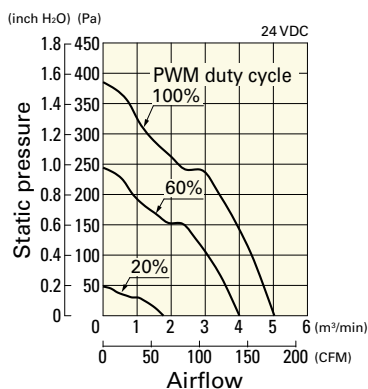
The following sensor and control options are available for selection.

Differs according to the model. Refer to the table on p. 613. Without sensor

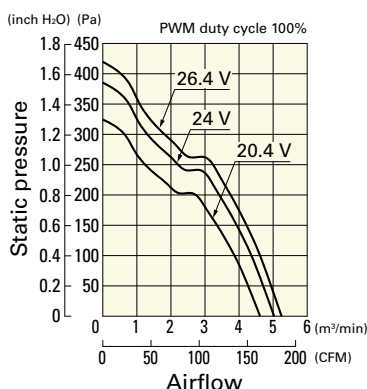
## Airflow - Static Pressure Characteristics / PWM Duty - Speed Characteristics Example

**9WV0924P1H001** With pulse sensor with PWM control function

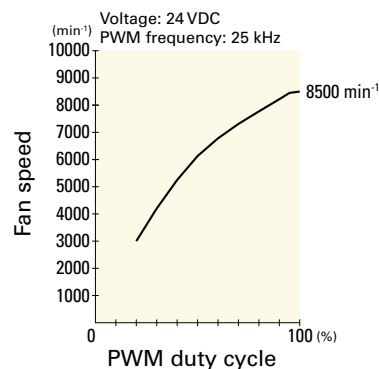
PWM duty cycle



Operating voltage range



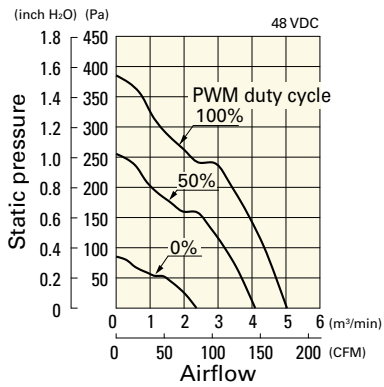
PWM duty - Speed characteristics example



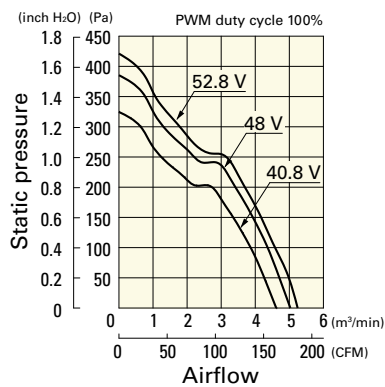
## Airflow - Static Pressure Characteristics / PWM Duty - Speed Characteristics Example

**9WV0948P1H001** With pulse sensor with PWM control function

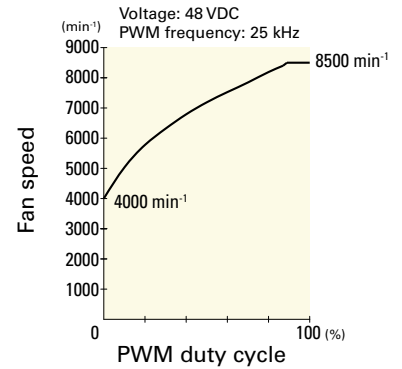
PWM duty cycle



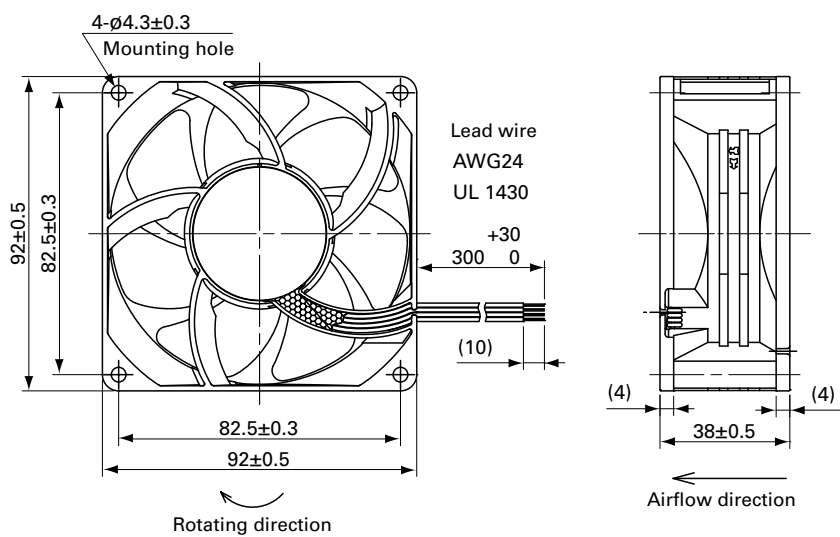
Operating voltage range



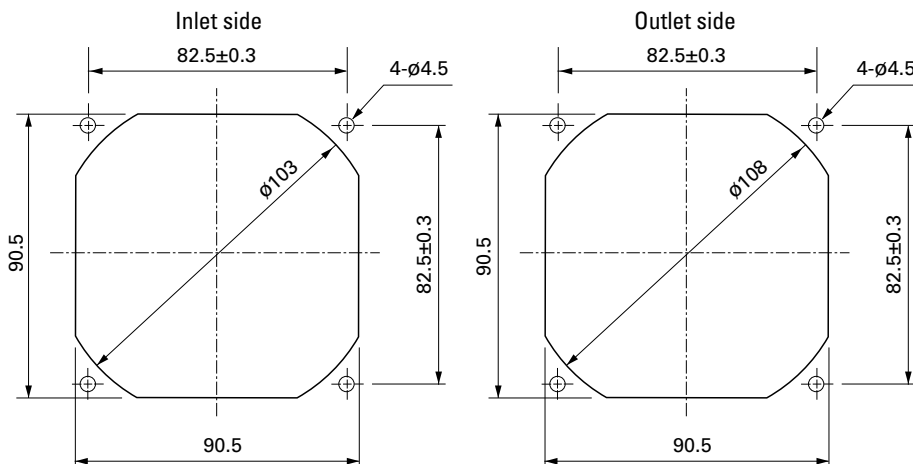
PWM duty - Speed characteristics example



## Dimensions (unit: mm)



## Reference Dimensions of Mounting Holes and Vent Opening (unit: mm)



## Options

Finger guards

page: p. 558

Model no.: 109-099E, 109-099H, 109-099C





Resin finger guards

page: p. 565

Model no.: 109-1001G



# 120x120x38 mm

San Ace 120W 9WV type    

## General Specifications

- Material ..... Frame: Aluminum (Black coating), Impeller: Plastic (Flammability: UL 94V-1)
- Expected life ..... See the table below. (L10 life: 90% survival rate for continuous operation in indoor free air at 60°C, rated voltage) Expected life at 40°C is for reference only.
- Motor protection function ..... Locked rotor burnout protection, Reverse polarity protection  
For details, please refer to p. 573.
- Dielectric strength ..... 50/60 Hz, 500 VAC, for 1 minute (between lead wire conductors and frame)
- Insulation resistance ..... 10 MΩ or more with a 500 VDC megger (between lead wire conductors and frame)
- Sound pressure level (SPL) ..... At 1 m away from the air inlet
- Storage temperature ..... -30 to +70°C (Non-condensing)
- Lead wire ..... ⊕Red ⊖Black  Sensor  Yellow  Control  Brown
- Mass ..... 440 g
- Ingress protection ..... IP68

## Specifications

The models listed below **have pulse sensors with PWM control function.**

Model no.	Rated voltage [V]	Operating voltage range [V]	PWM duty cycle [%]	Rated current [A]	Rated input [W]	Rated speed [min <sup>-1</sup> ]	Max. airflow [m <sup>3</sup> /min] [CFM]	Max. static pressure [Pa] [inchH <sub>2</sub> O]	SPL [dB (A)]	Operating temperature [°C]	Expected life [h]
9WV1212P1J001	12	10.2 to 13.8	100	3	36	6400	6.35 224.0	360 1.45	64	-20 to +70	60000/60°C (90000/40°C)
			0	0.2	2.4	1500	1.49 52.6	19.8 0.08	33		
9WV1224P1J601	24	20.4 to 27.6	100	1.5	36	6400	6.35 224.0	360 1.45	64		
			0	0.12	2.88	1500	1.49 52.6	26.1 0.105	33		
9WV1224P1H001	24	20.4 to 27.6	100	0.8	19.2	5200	5.16 182	237 0.95	58		
9WV1248P1J001			48	40.8 to 55.2	100	0.65	31.2	6400	6.35 224.0		
			0	0.06	2.88	1500	1.49 52.6	26.1 0.105	33		

\* PWM input frequency is 25 kHz; models without specifications at 0% PWM duty cycle have zero fan speed at 0%.

The following sensor and control options are available for selection.

Available for all models. **Without sensor**

Differs according to the model. Refer to the table on p. 613. **Pulse sensor** **Lock sensor**

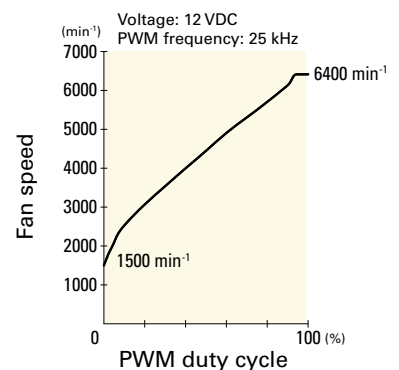
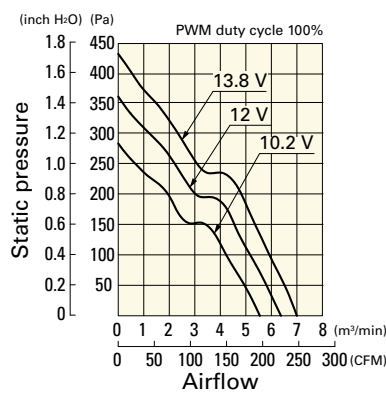
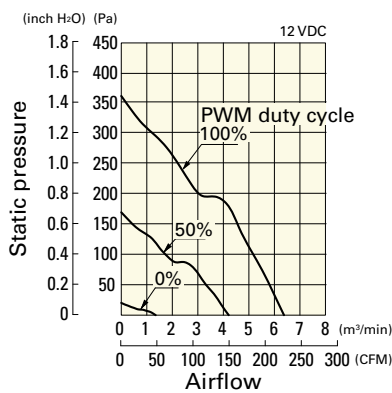
## Airflow - Static Pressure Characteristics / PWM Duty - Speed Characteristics Example

**9WV1212P1J001** With pulse sensor with PWM control function

PWM duty cycle

Operating voltage range

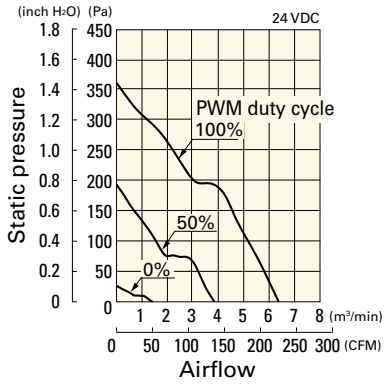
PWM duty - Speed characteristics example



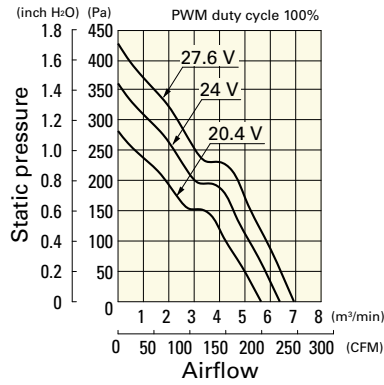
**Airflow - Static Pressure Characteristics / PWM Duty - Speed Characteristics Example**

**9WV1224P1J601** With pulse sensor with PWM control function

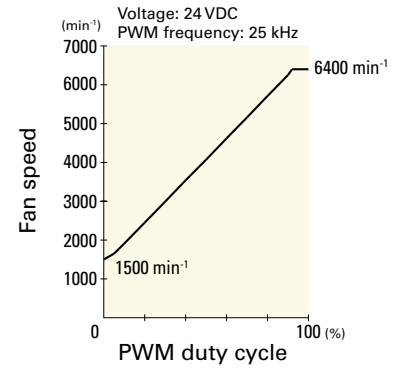
PWM duty cycle



Operating voltage range

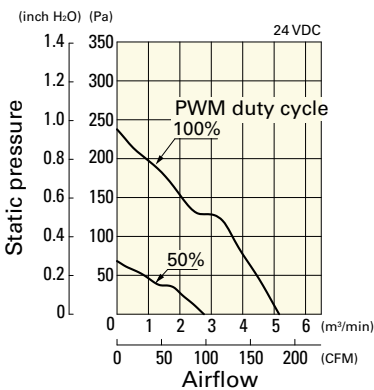


PWM duty - Speed characteristics example

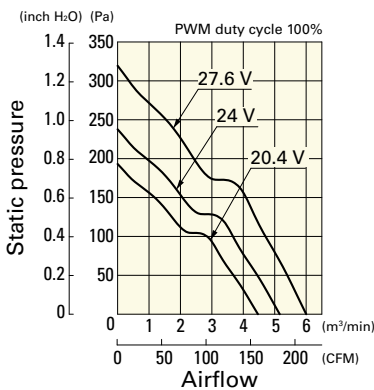


**9WV1224P1H001** With pulse sensor with PWM control function

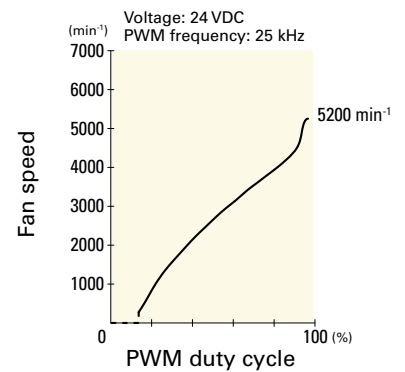
PWM duty cycle



Operating voltage range

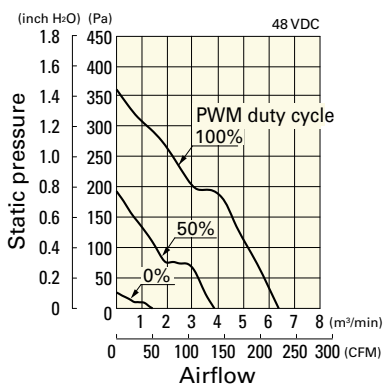


PWM duty - Speed characteristics example

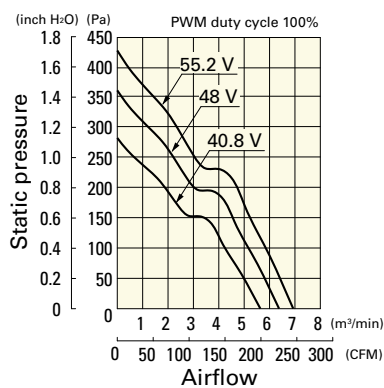


**9WV1248P1J001** With pulse sensor with PWM control function

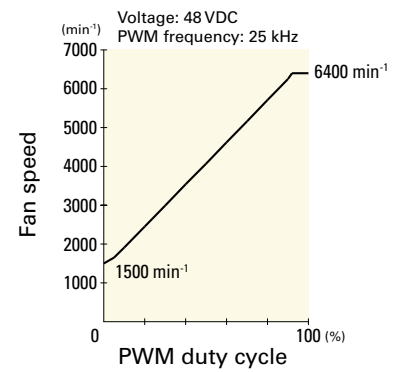
PWM duty cycle



Operating voltage range

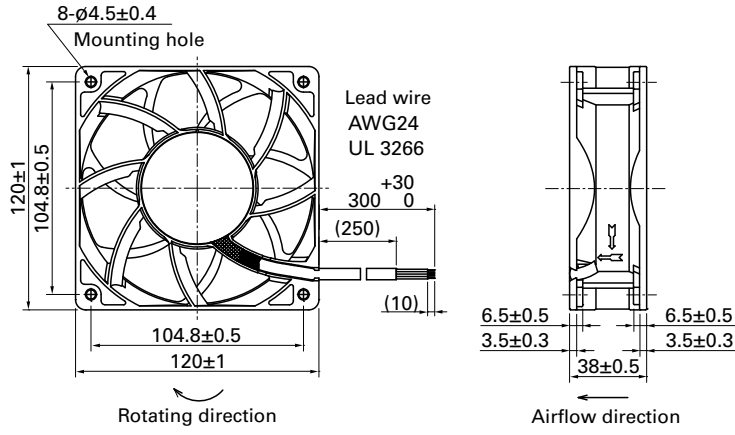


PWM duty - Speed characteristics example

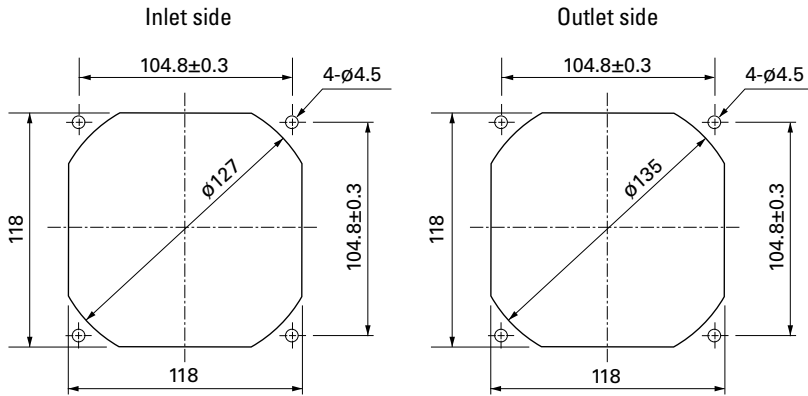




**Dimensions (unit: mm)**



**Reference Dimensions of Mounting Holes and Vent Opening (unit: mm)**



**Options**

Finger guards

page: p. 559

Model no.: 109-019E, 109-019K, 109-019C, 109-019H

Resin finger guards

page: p. 565

Model no.: 109-1000G



# 120×120×38 mm

San Ace 120W 9WG type

DC  
Splash Proof Fan 120 mm sq.

## General Specifications

- Material ..... Frame: Aluminum (Black coating), Impeller: Plastic (Flammability: UL 94V-1)
- Expected life ..... See the table below. (L10 life: 90% survival rate for continuous operation in indoor free air at 60°C, rated voltage)  
Expected life at 40°C is for reference only.
- Motor protection function ..... Locked rotor burnout protection, Reverse polarity protection  
For details, please refer to p. 573.
- Dielectric strength ..... 50/60 Hz, 500 VAC, for 1 minute (between lead wire conductors and frame)
- Insulation resistance ..... 10 MΩ or more with a 500 VDC megger (between lead wire conductors and frame)
- Sound pressure level (SPL) ..... At 1 m away from the air inlet
- Storage temperature ..... -30 to +70°C (Non-condensing)
- Lead wire ..... ⊕Red ⊖Black or Blue  Sensor Yellow
- Mass ..... 410 g
- Ingress protection ..... IP55

## Specifications

The models listed below **have pulse sensors**.

Model no.	Rated voltage [V]	Operating voltage range [V]	Rated current [A]	Rated input [W]	Rated speed [min <sup>-1</sup> ]	Max. airflow [m <sup>3</sup> /min] [CFM]	Max. static pressure [Pa] [inchH <sub>2</sub> O]	SPL [dB (A)]	Operating temperature [°C]	Expected life [h]	
9WG1212G101-E	12	10.2 to 13.8	0.98	11.76	3600	3.88 137	135 0.542	49	-20 to +70	80000/60°C (115000/40°C)	
9WG1212E101-E			0.61	7.32	3100	3.34 118	100 0.402	46			
9WG1212H101-E		7 to 13.8	0.38	4.56	2600	2.8 99	70.4 0.283	39		100000/60°C (135000/40°C)	
9WG1212F101-E			0.28	3.36	2280	2.45 87	54.2 0.218	36			
9WG1212M101-E			0.21	2.52	1950	2.1 74	39.6 0.159	32			
9WG1224G101-E	24	20.4 to 27.6	0.5	12	3600	3.88 137	135 0.542	49		-20 to +70	80000/60°C (115000/40°C)
9WG1224E101-E			0.34	8.16	3100	3.34 118	100 0.402	46			
9WG1224H101-E		14 to 27.6	0.22	5.28	2600	2.8 99	70.4 0.283	39			100000/60°C (135000/40°C)
9WG1224F101-E			0.16	3.84	2280	2.45 87	54.2 0.218	36			
9WG1224M101-E			0.11	2.64	1950	2.1 74	39.6 0.159	32			
9WG1248G101-E	48	40.8 to 55.2	0.25	12	3600	3.88 137	135 0.542	49	-20 to +70		80000/60°C (115000/40°C)
9WG1248E101-E			0.17	8.16	3100	3.34 118	100 0.402	46			
9WG1248H101-E			0.11	5.28	2600	2.8 99	70.4 0.283	39			100000/60°C (135000/40°C)
9WG1248F101-E			0.09	4.32	2280	2.45 87	54.2 0.218	36			
9WG1248M101-E			0.07	3.36	1950	2.1 74	39.6 0.159	32			

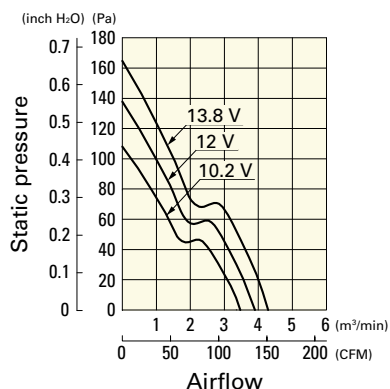
The following sensor and control options are available for selection.

Available for all models.  Without sensor  Lock sensor

## Airflow - Static Pressure Characteristics

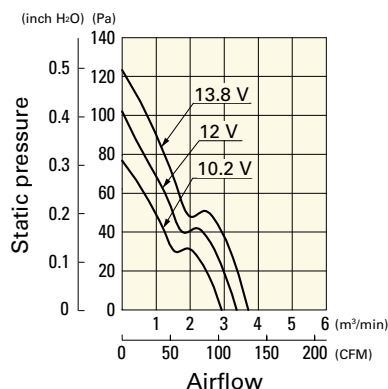
9WG1212G101-E With pulse sensor

Operating voltage range



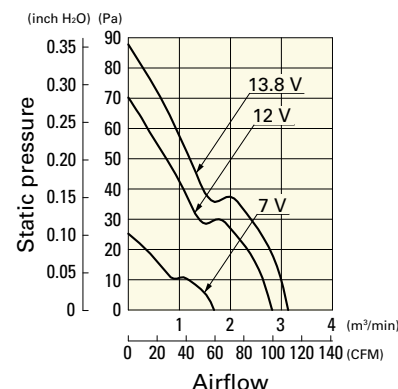
9WG1212E101-E With pulse sensor

Operating voltage range



9WG1212H101-E With pulse sensor

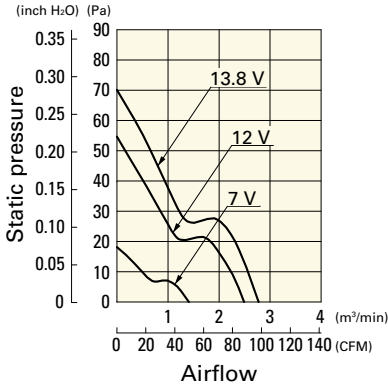
Operating voltage range



# Airflow - Static Pressure Characteristics

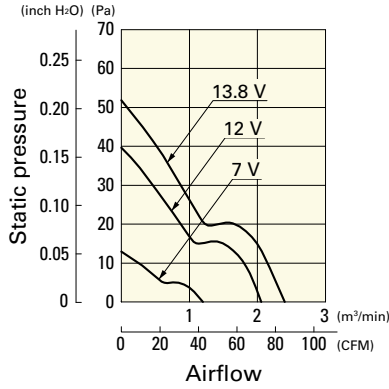
**9WG1212F101-E** With pulse sensor

Operating voltage range



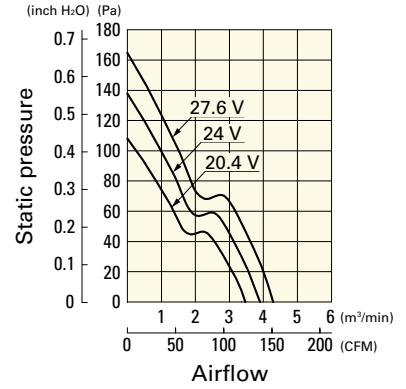
**9WG1212M101-E** With pulse sensor

Operating voltage range



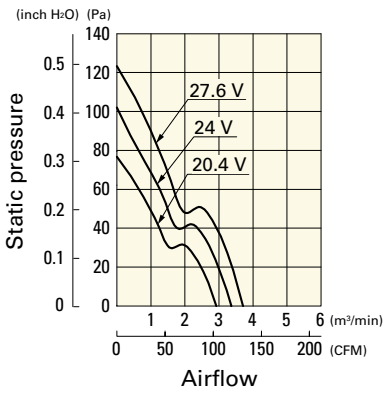
**9WG1224G101-E** With pulse sensor

Operating voltage range



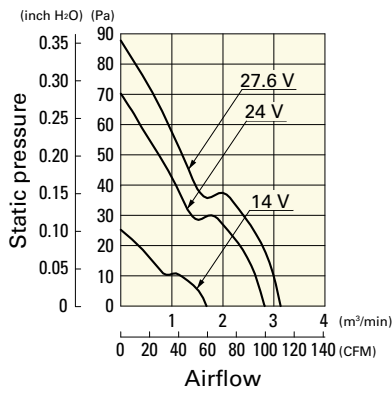
**9WG1224E101-E** With pulse sensor

Operating voltage range



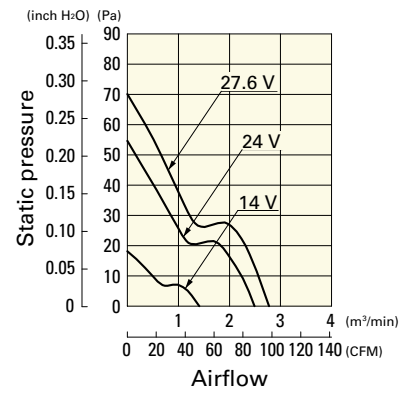
**9WG1224H101-E** With pulse sensor

Operating voltage range



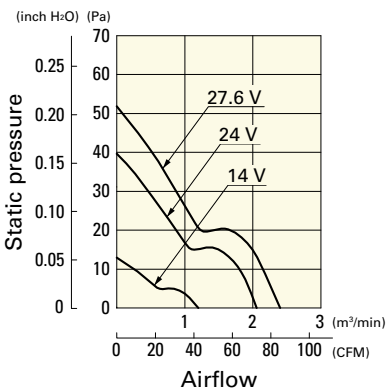
**9WG1224F101-E** With pulse sensor

Operating voltage range



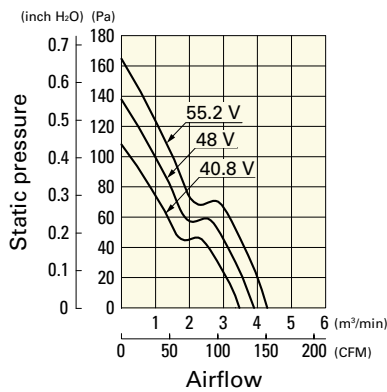
**9WG1224M101-E** With pulse sensor

Operating voltage range



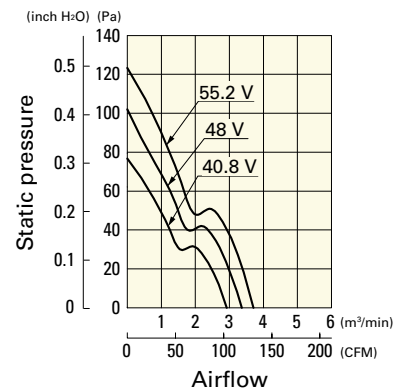
**9WG1248G101-E** With pulse sensor

Operating voltage range



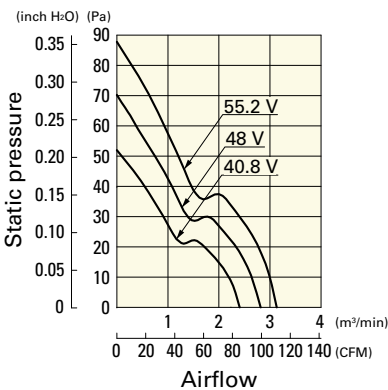
**9WG1248E101-E** With pulse sensor

Operating voltage range



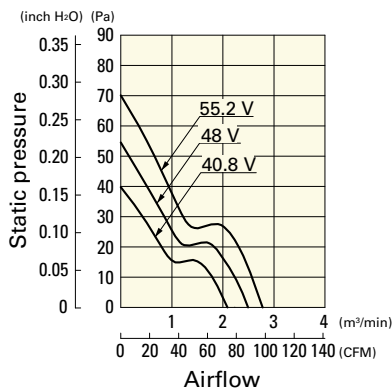
**9WG1248H101-E** With pulse sensor

Operating voltage range



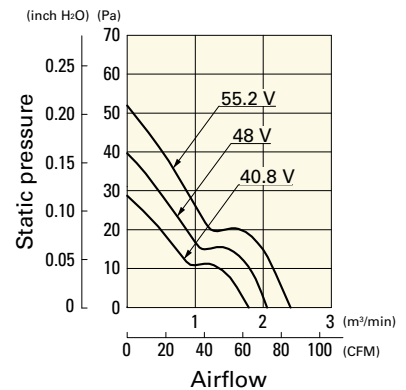
**9WG1248F101-E** With pulse sensor

Operating voltage range

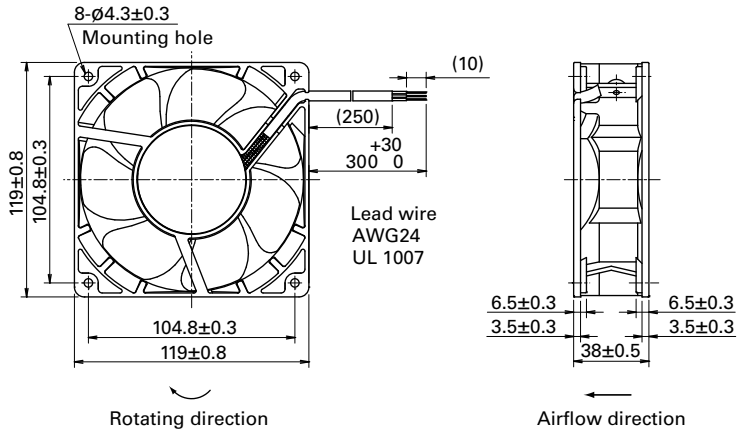


**9WG1248M101-E** With pulse sensor

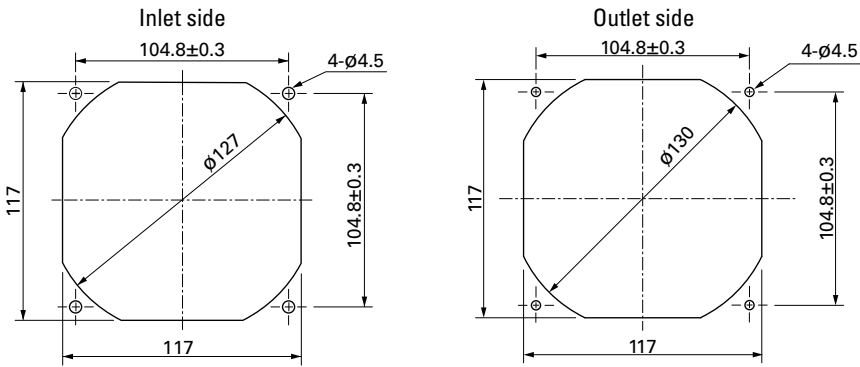
Operating voltage range



**Dimensions (unit: mm)**



**Reference Dimensions of Mounting Holes and Vent Opening (unit: mm)**



**Options**

Finger guards

page: p. 559

Model no.: 109-019E, 109-019K, 109-019C, 109-019H

Resin finger guards

page: p. 565

Model no.: 109-1000G

# 120×120×38 mm

IP68



San Ace 120W 9WP<sub>type</sub>

## General Specifications

- Material ..... Frame: Plastic (Flammability: UL 94V-0), Impeller: Plastic (Flammability: UL 94V-1)
- Expected life ..... See the table below. (L10 life: 90% survival rate for continuous operation in indoor free air at 60°C, rated voltage) Expected life at 40°C is for reference only.
- Motor protection function ..... Locked rotor burnout protection, Reverse polarity protection For details, please refer to p. 573.
- Dielectric strength ..... 50/60 Hz, 500 VAC, for 1 minute (between lead wire conductors and frame)
- Insulation resistance ..... 10 MΩ or more with a 500 VDC megger (between lead wire conductors and frame)
- Sound pressure level (SPL) ..... At 1 m away from the air inlet
- Storage temperature ..... -30 to +70°C (Non-condensing)
- Lead wire ..... ⊕Red ⊖Black Sensor Yellow
- Mass ..... 360 g
- Ingress protection ..... IP68

## Specifications

The models listed below **have ribs and pulse sensors**. For models without ribs, append "1" to the end of model numbers.

Model no.	Rated voltage [V]	Operating voltage range [V]	Rated current [A]	Rated input [W]	Rated speed [min <sup>-1</sup> ]	Max. airflow [m <sup>3</sup> /min] [CFM]	Max. static pressure [Pa] [inchH <sub>2</sub> O]	SPL [dB (A)]	Operating temperature [°C]	Expected life [h]
9WP1212H101	12	7 to 13.8	0.38	4.56	2600	2.8 99	70.4 0.283	39	-20 to +70	40000/60°C (70000/40°C)
9WP1212M101			0.21	2.52	1950	2.1 74.2	39.6 0.159	32		
9WP1212L101		10.2 to 13.8	0.14	1.68	1500	1.62 57.2	23.4 0.094	26		
9WP1224H101	24	14 to 27.6	0.22	5.28	2600	2.8 99	70.4 0.283	39		
9WP1224M101			0.11	2.64	1950	2.1 74.2	39.6 0.159	32		
9WP1248H101	48	40.8 to 55.2	0.11	5.28	2600	2.8 99	70.4 0.283	39		
9WP1248M101			0.07	3.36	1950	2.1 74.2	39.6 0.159	32		

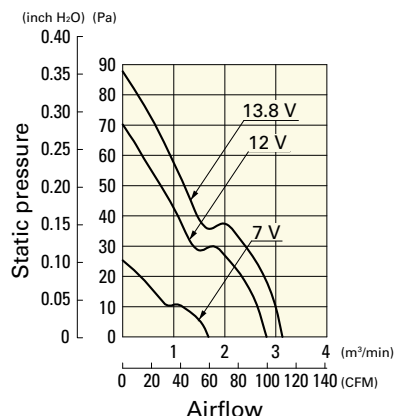
The following sensor and control options are available for selection.

Differs according to the model. Refer to the table on p. 613. Without sensor Lock sensor

## Airflow - Static Pressure Characteristics

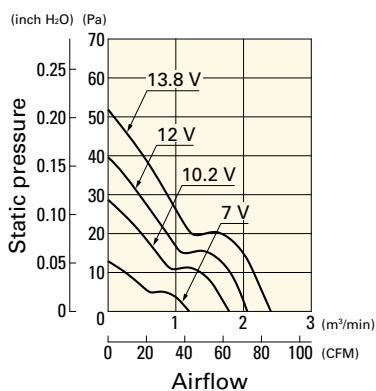
9WP1212H101 With pulse sensor

Operating voltage range



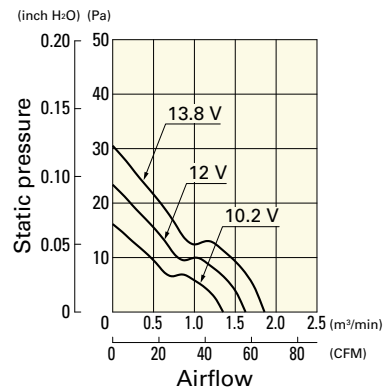
9WP1212M101 With pulse sensor

Operating voltage range



9WP1212L101 With pulse sensor

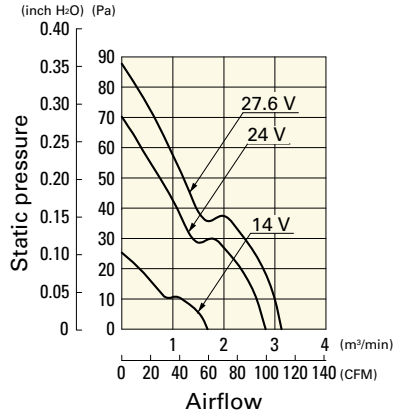
Operating voltage range



## Airflow - Static Pressure Characteristics

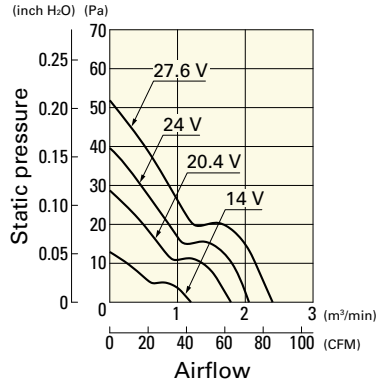
**9WP1224H101** With pulse sensor

Operating voltage range



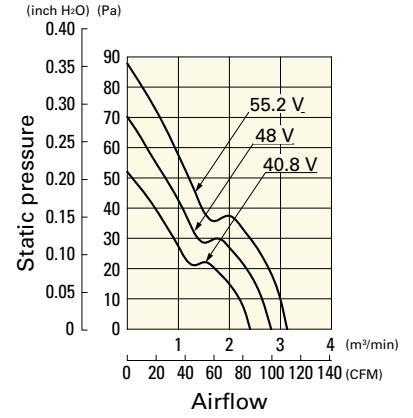
**9WP1224M101** With pulse sensor

Operating voltage range



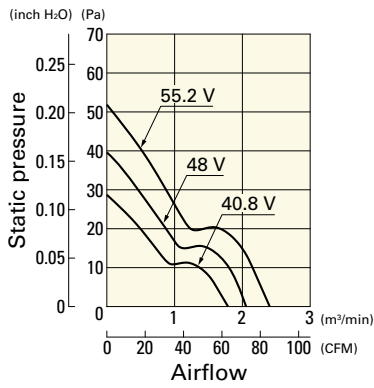
**9WP1248H101** With pulse sensor

Operating voltage range

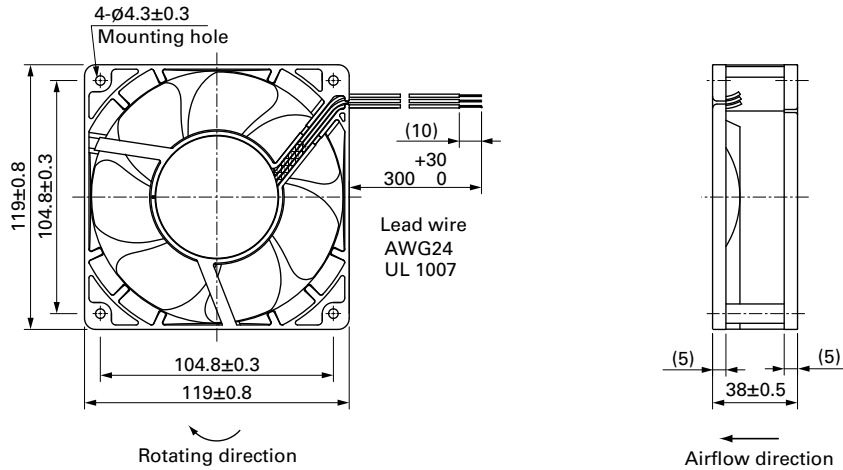


**9WP1248M101** With pulse sensor

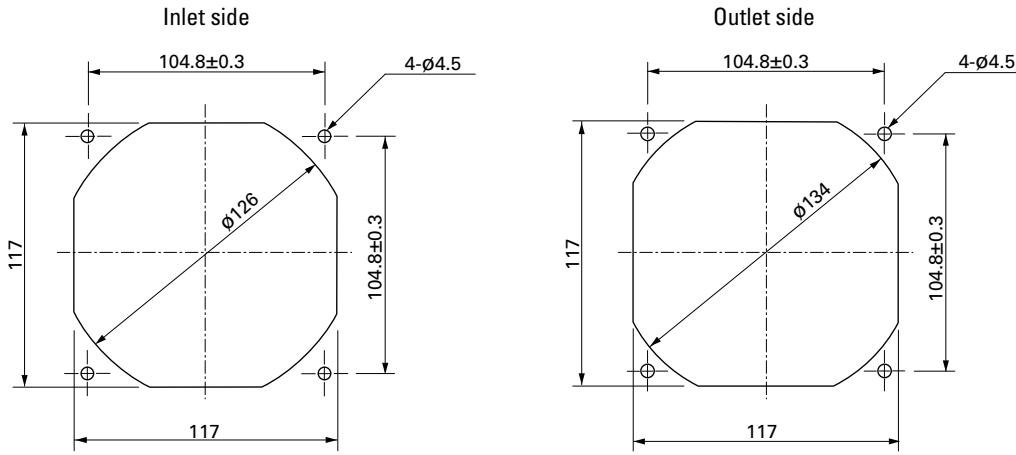
Operating voltage range



## Dimensions (unit: mm) (With ribs)



■ Reference Dimensions of Mounting Holes and Vent Opening (unit: mm)



■ Options

Finger guards

page: p. 559

Model no.: 109-019E, 109-019K, 109-019C, 109-019H



Resin finger guards

page: p. 565

Model no.: 109-1000G



# 140x140x38 mm

San Ace 140W 9WL type   

DC  
Splash Proof Fan 140 mm sq.

## General Specifications

- Material ..... Frame: Aluminum (Black coating), Impeller: Plastic (Flammability: UL 94V-0)
- Expected life ..... See the table below. (L10 life: 90% survival rate for continuous operation in indoor free air at 60°C, rated voltage)  
Expected life at 40°C is for reference only.
- Motor protection function ..... Locked rotor burnout protection, Reverse polarity protection  
For details, please refer to p. 573.
- Dielectric strength ..... 50/60 Hz, 500 VAC, for 1 minute (between lead wire conductors and frame)
- Insulation resistance ..... 10 MΩ or more with a 500 VDC megger (between lead wire conductors and frame)
- Sound pressure level (SPL) ..... At 1 m away from the air inlet
- Storage temperature ..... -30 to +70°C (Non-condensing)
- Lead wire ..... ⊕Red ⊖Black (Sensor) Yellow (Control) Brown  
(For models without PWM control function, there is no speed control wiring.)
- Mass ..... 740 g
- Ingress protection ..... IP68

## Specifications

The models listed below **have pulse sensors with PWM control function.**

Model no.	Rated voltage [V]	Operating voltage range [V]	PWM duty cycle* [%]	Rated current [A]	Rated input [W]	Rated speed [min <sup>-1</sup> ]	Max. airflow [m <sup>3</sup> /min] [CFM]	Max. static pressure [Pa] [inchH <sub>2</sub> O]	SPL [dB (A)]	Operating temperature [°C]	Expected life [h]	
9WL1412P1A001	12	10.2 to 13.8	100	3.72	44.64	6900	8.0 282	516 2.07	68	-20 to +70	100000/60°C (135000/40°C)	
			20	0.27	3.24	2300	2.66 93	80 0.32	39			
9WL1412P1H001			100	1.7	20.4	5200	6.0 212	300 1.2	62			
			20	0.27	3.24	2300	2.66 93	80 0.32	39			
9WL1412P1M001			100	0.6	7.2	3300	3.7 130	170 0.68	46			
			20	0.16	1.92	1300	1.45 51	26 0.1	29			
9WL1424P1A001		24	20.4 to 27.6	100	1.86	44.64	6900	8.0 282	516 2.07			68
				20	0.17	4.08	2300	2.66 93	80 0.32			39
9WL1424P1H001				100	0.85	20.4	5200	6.0 212	300 1.2			62
				20	0.16	3.84	2300	2.66 93	80 0.32			39
9WL1424P1M001				100	0.3	7.2	3300	3.7 130	170 0.68			46
				20	0.11	2.64	1300	1.45 51	26 0.1			29
9WL1448P1A001	48	40.8 to 55.2	100	0.92	44.16	6900	8.0 282	516 2.07	68			
			20	0.11	5.28	2300	2.66 93	80 0.32	39			
9WL1448P1H001			100	0.42	20.16	5200	6.0 212	300 1.2	62			
			20	0.11	5.28	2300	2.66 93	80 0.32	39			
9WL1448P1M001			100	0.15	7.2	3300	3.7 130	170 0.68	46			
			20	0.09	4.32	1300	1.45 51	26 0.1	29			

\* PWM input frequency is 25 kHz; models without specifications at 0% PWM duty cycle have zero fan speed at 0%.

The following sensor and control options are available for selection.

Differs according to the model. Refer to the table on p. 612. Without sensor Pulse sensor Lock sensor

The models listed below **have pulse sensors.**

Model no.	Rated voltage [V]	Operating voltage range [V]	Rated current [A]	Rated input [W]	Rated speed [min <sup>-1</sup> ]	Max. airflow [m <sup>3</sup> /min] [CFM]	Max. static pressure [Pa] [inchH <sub>2</sub> O]	SPL [dB (A)]	Operating temperature [°C]	Expected life [h]
9WL1448L1001	48	40.8 to 55.2	0.11	5.3	2300	2.6 91.9	80 0.32	39	-20 to +70	100000/60°C (135000/40°C)

The following sensor and control options are available for selection.

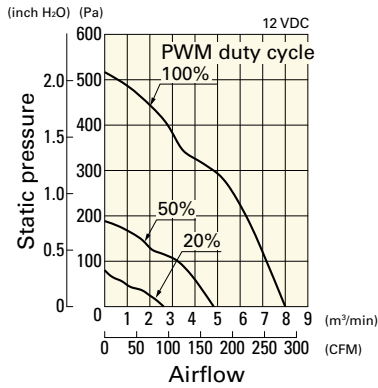
Available for all models. Without sensor



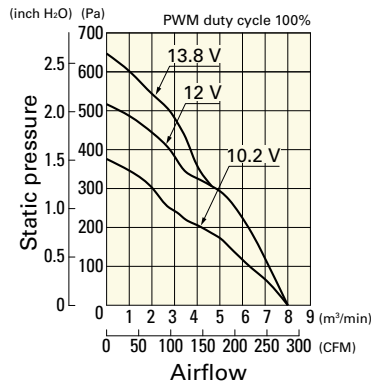
## Airflow - Static Pressure Characteristics / PWM Duty - Speed Characteristics Example

**9WL1412P1A001** With pulse sensor with PWM control function

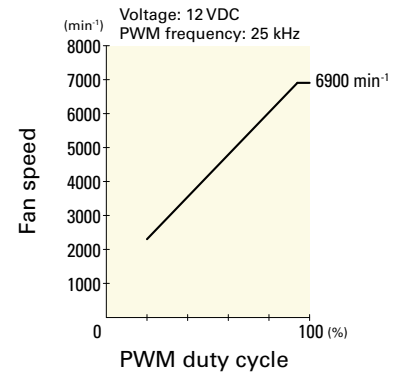
PWM duty cycle



Operating voltage range

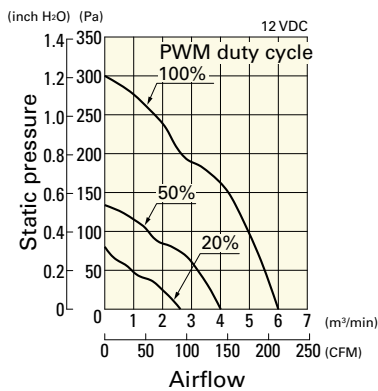


PWM duty - Speed characteristics example

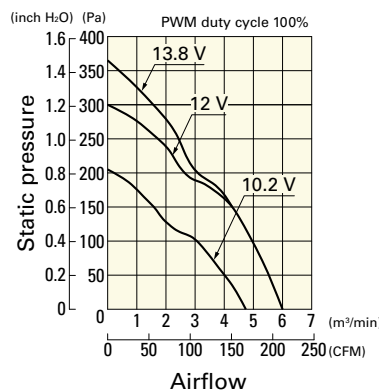


**9WL1412P1H001** With pulse sensor with PWM control function

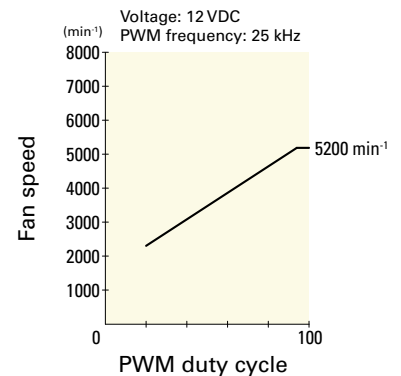
PWM duty cycle



Operating voltage range

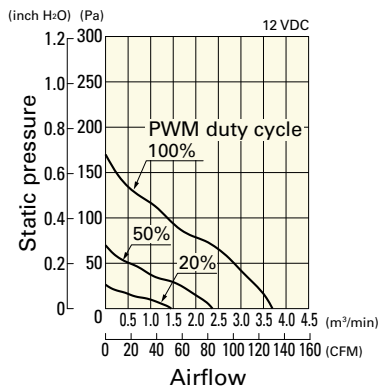


PWM duty - Speed characteristics example

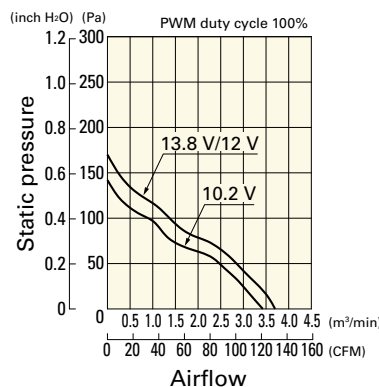


**9WL1412P1M001** With pulse sensor with PWM control function

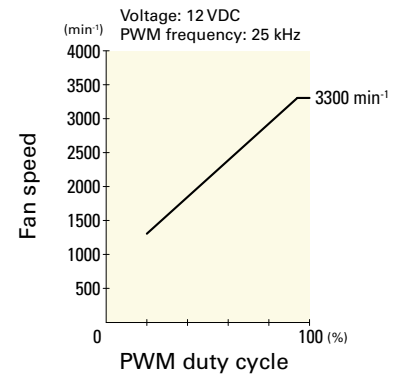
PWM duty cycle



Operating voltage range

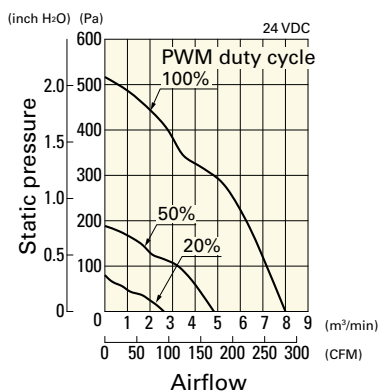


PWM duty - Speed characteristics example

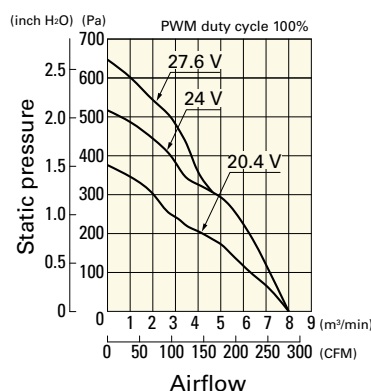


**9WL1424P1A001** With pulse sensor with PWM control function

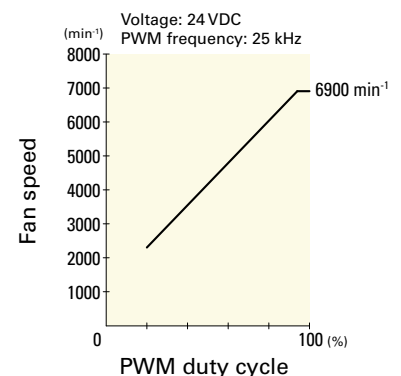
PWM duty cycle



Operating voltage range



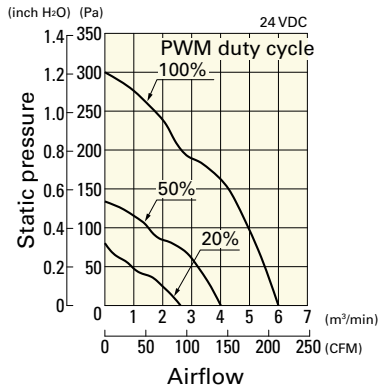
PWM duty - Speed characteristics example



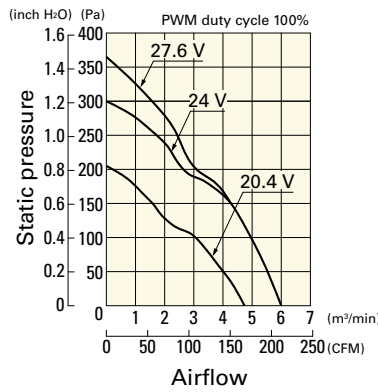
**Airflow - Static Pressure Characteristics / PWM Duty - Speed Characteristics Example**

**9WL1424P1H001** With pulse sensor with PWM control function

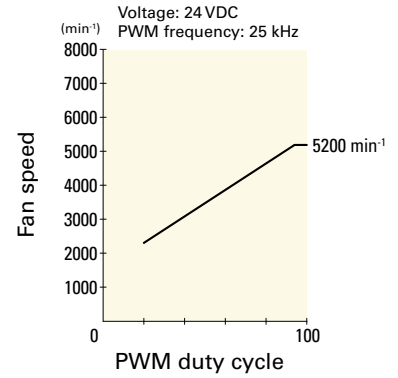
PWM duty cycle



Operating voltage range

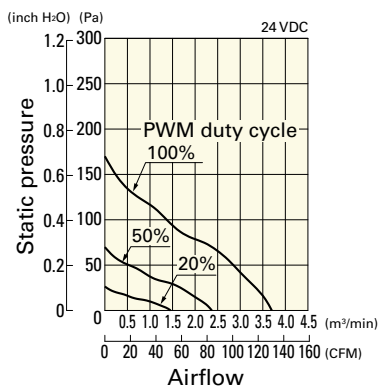


PWM duty - Speed characteristics example

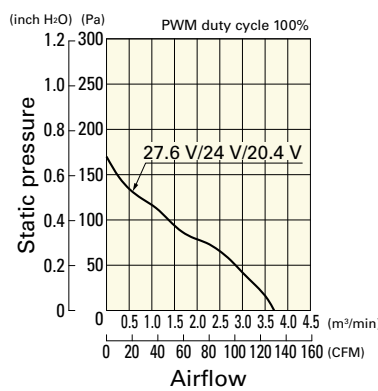


**9WL1424P1M001** With pulse sensor with PWM control function

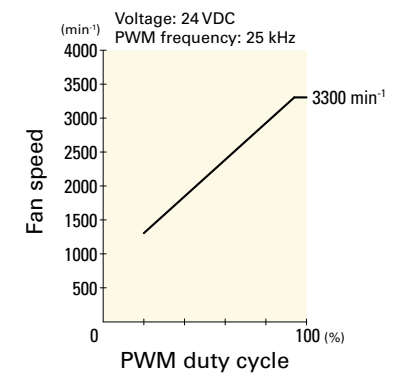
PWM duty cycle



Operating voltage range

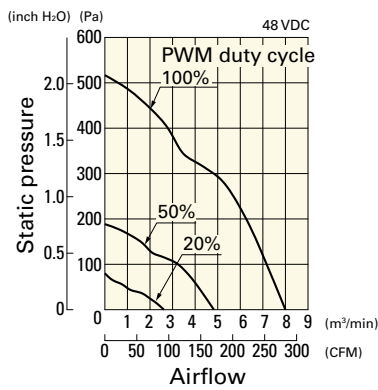


PWM duty - Speed characteristics example

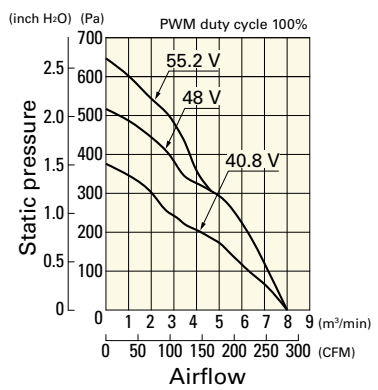


**9WL1448P1A001** With pulse sensor with PWM control function

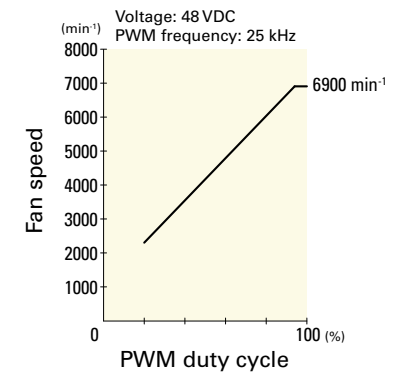
PWM duty cycle



Operating voltage range

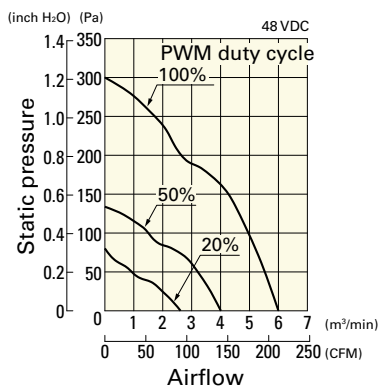


PWM duty - Speed characteristics example

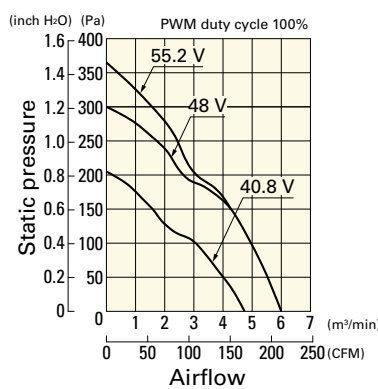


**9WL1448P1H001** With pulse sensor with PWM control function

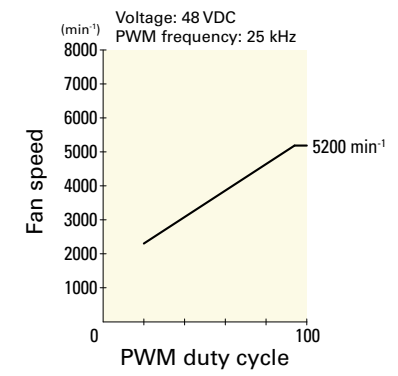
PWM duty cycle



Operating voltage range



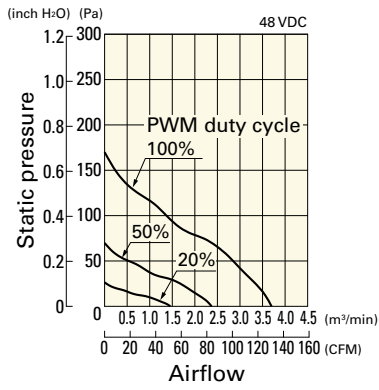
PWM duty - Speed characteristics example



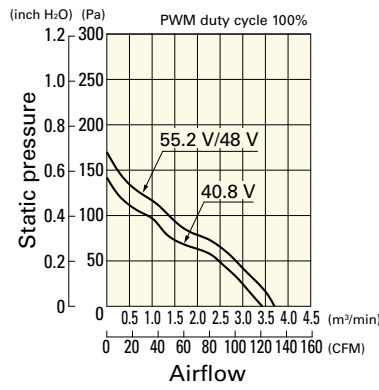
## Airflow - Static Pressure Characteristics / PWM Duty - Speed Characteristics Example

**9WL1448P1M001** With pulse sensor with PWM control function

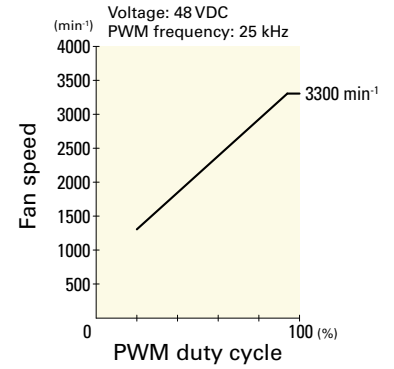
PWM duty cycle



Operating voltage range



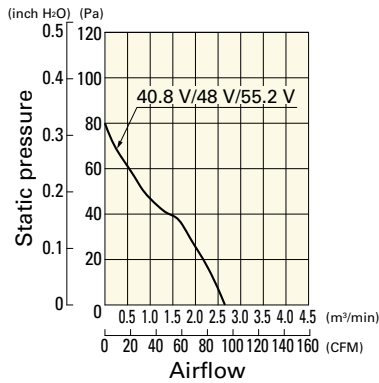
PWM duty - Speed characteristics example



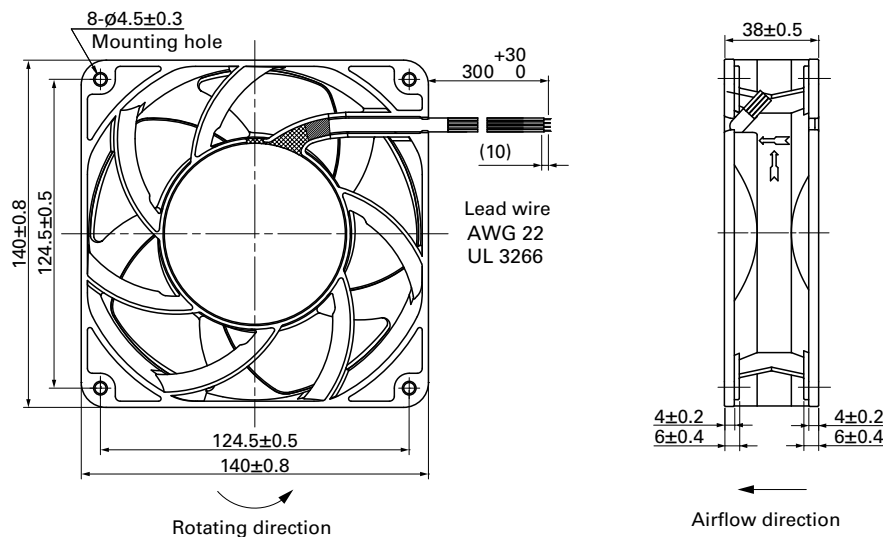
## Airflow - Static Pressure Characteristics

**9WL1448L1001** With pulse sensor

Operating voltage range

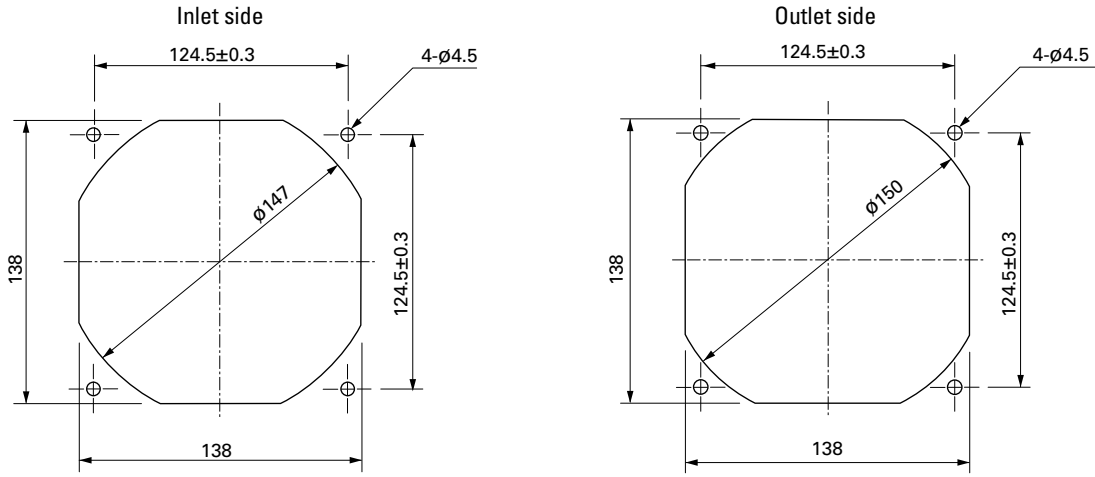


## Dimensions (unit: mm)



DC  
Splash Proof Fan 140 mm sq.

**Reference Dimensions of Mounting Holes and Vent Opening (unit: mm)**



**Options**




Finger guards

page: p. 559

Model no.: 109-719, 109-719H



# 140x140x51 mm

San Ace 140W 9WL type   

## General Specifications

- Material ..... Frame: Aluminum (Black coating), Impeller: Plastic (Flammability: UL 94V-0)
- Expected life ..... See the table below. (L10 life: 90% survival rate for continuous operation in indoor free air at 60°C, rated voltage) Expected life at 40°C is for reference only.
- Motor protection function ..... Locked rotor burnout protection, Reverse polarity protection  
For details, please refer to p. 573.
- Dielectric strength ..... 50/60 Hz, 500 VAC, for 1 minute (between lead wire conductors and frame)
- Insulation resistance ..... 10 MΩ or more with a 500 VDC megger (between lead wire conductors and frame)
- Sound pressure level (SPL) ..... At 1 m away from the air inlet
- Storage temperature ..... -30 to +70°C (Non-condensing)
- Lead wire ..... ⊕Red ⊖Black (Sensor) Yellow (Control) Brown  
(For models without PWM control function, there is no speed control wiring.)
- Mass ..... 930 g
- Ingress protection ..... IP68

## Specifications

The models listed below **have pulse sensors with PWM control function.**

Model no.	Rated voltage [V]	Operating voltage range [V]	PWM duty cycle* [%]	Rated current [A]	Rated input [W]	Rated speed [min <sup>-1</sup> ]	Max. airflow [m <sup>3</sup> /min] [CFM]	Max. static pressure [Pa] [inchH <sub>2</sub> O]	SPL [dB (A)]	Operating temperature [°C]	Expected life [h]		
9WL1412P5G001	12	10.2 to 13.8	100	5.16	62	7500	9.0 318	655 2.63	69	-20 to +70	100000/60°C (135000/40°C)		
			20	0.31	3.72	2300	2.75 97	80 0.32	38				
9WL1412P5S001			100	1.83	22	5000	6.0 212	295 1.18	57				
			20	0.31	3.72	2300	2.75 97	80 0.32	38				
9WL1424P5G001			24	20.4 to 27.6	100	2.58	62	7500	9.0 318			655 2.63	69
					20	0.16	3.84	2300	2.75 97			80 0.32	38
9WL1424P5S001	100	0.91			22	5000	6.0 212	295 1.18	57				
	20	0.16			3.84	2300	2.75 97	80 0.32	38				
9WL1448P5G001	48	40.8 to 55.2			100	1.29	62	7500	9.0 318			655 2.63	69
					20	0.12	5.76	2300	2.75 97			80 0.32	38
9WL1448P5S001			100	0.45	22	5000	6.0 212	295 1.18	57				
			20	0.12	5.76	2300	2.75 97	80 0.32	38				

\* PWM input frequency is 25 kHz; models without specifications at 0% PWM duty cycle have zero fan speed at 0%.

The following sensor and control options are available for selection.

Differs according to the model. Refer to the table on p. 612. **Pulse sensor** **Lock sensor**

The models listed below **have pulse sensors.**

Model no.	Rated voltage [V]	Operating voltage range [V]	Rated current [A]	Rated input [W]	Rated speed [min <sup>-1</sup> ]	Max. airflow [m <sup>3</sup> /min] [CFM]	Max. static pressure [Pa] [inchH <sub>2</sub> O]	SPL [dB (A)]	Operating temperature [°C]	Expected life [h]
9WL1412A5001	12	10.2 to 13.8	2.61	31.4	5700	6.9 243.8	500 2	61	-20 to +70	100000/60°C (135000/40°C)
9WL1412H5001			1	12	4100	4.9 173.1	260 1.04	52		
9WL1412M5001			0.43	5.16	2600	3.1 109.5	100 0.4	40		
9WL1424A5001	24	20.4 to 27.6	1.21	29.10	5700	6.9 243.8	540 2.17	61		
9WL1424H5001			0.55	13.2	4100	4.9 173.1	260 1.04	52		
9WL1424M5001			0.23	5.52	2600	3.1 109.5	100 0.4	40		
9WL1448A5001	48	40.8 to 55.2	0.66	31.7	5700	6.9 243.8	540 2.17	61		
9WL1448H5001			0.31	14.9	4100	4.9 173.1	260 1.04	52		
9WL1448M5001			0.15	7.2	2600	3.1 109.5	100 0.4	40		

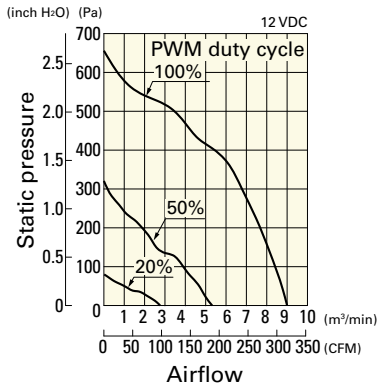
The following sensor and control options are available for selection.

Available for all models. **Without sensor** **Lock sensor**

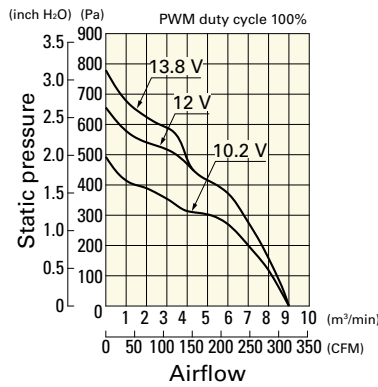
## Airflow - Static Pressure Characteristics / PWM Duty - Speed Characteristics Example

**9WL1412P5G001** With pulse sensor with PWM control function

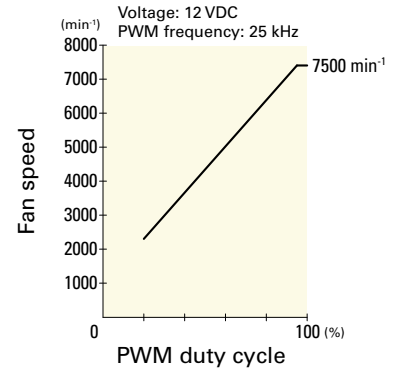
PWM duty cycle



Operating voltage range

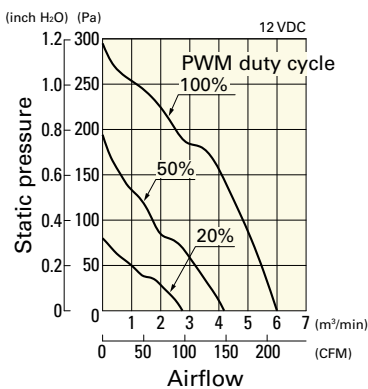


PWM duty - Speed characteristics example

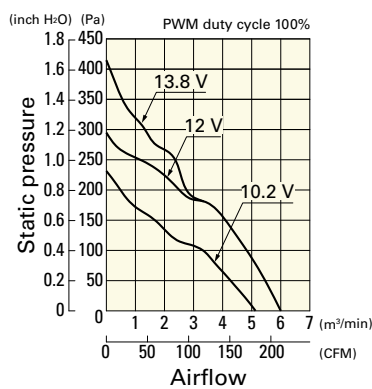


**9WL1412P5S001** With pulse sensor with PWM control function

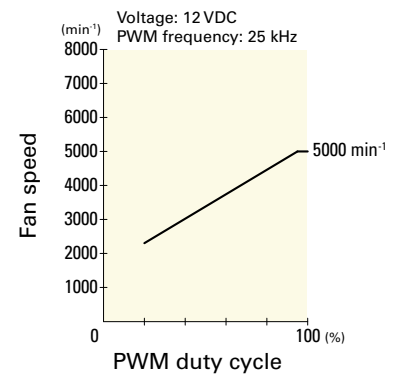
PWM duty cycle



Operating voltage range

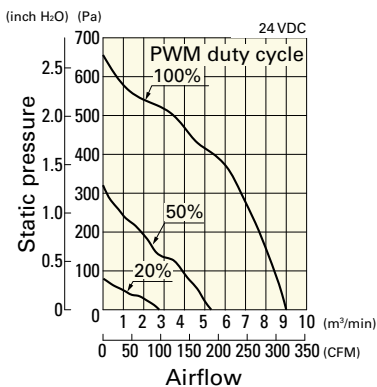


PWM duty - Speed characteristics example

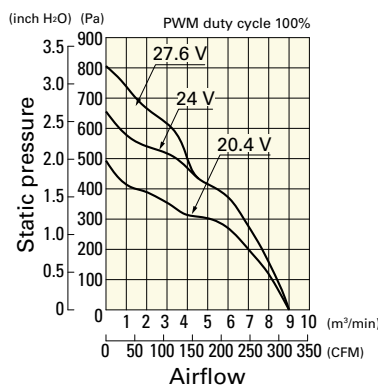


**9WL1424P5G001** With pulse sensor with PWM control function

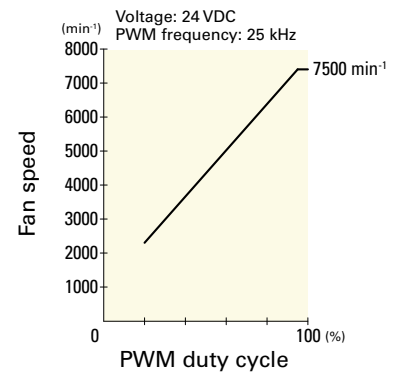
PWM duty cycle



Operating voltage range

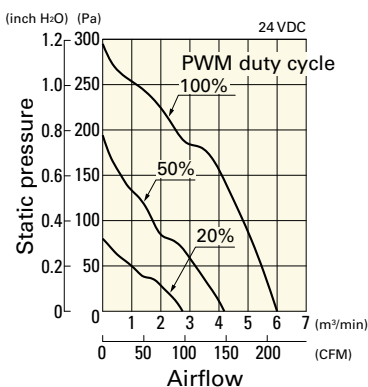


PWM duty - Speed characteristics example

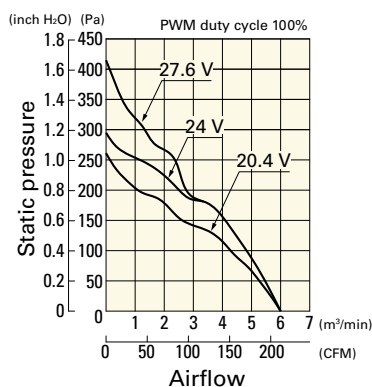


**9WL1424P5S001** With pulse sensor with PWM control function

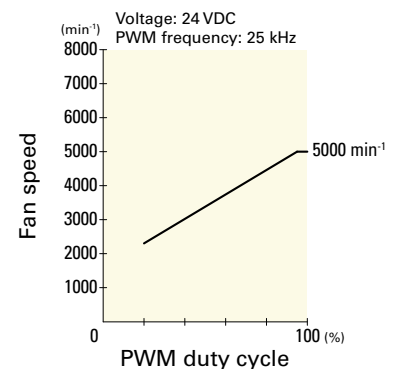
PWM duty cycle



Operating voltage range



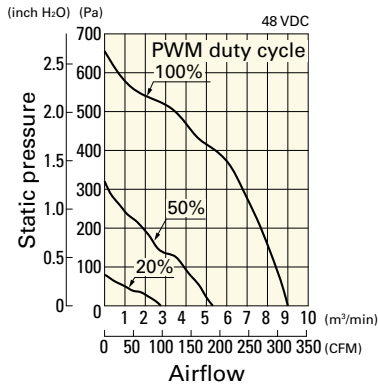
PWM duty - Speed characteristics example



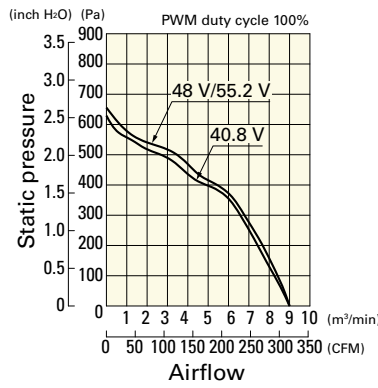
## Airflow - Static Pressure Characteristics / PWM Duty - Speed Characteristics Example

**9WL1448P5G001** With pulse sensor with PWM control function

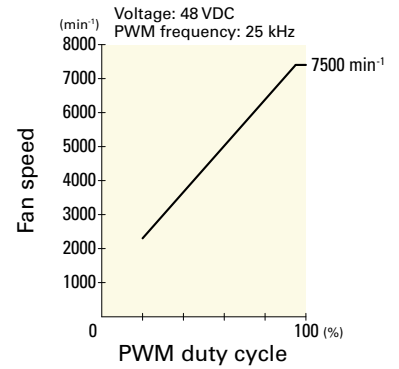
PWM duty cycle



Operating voltage range

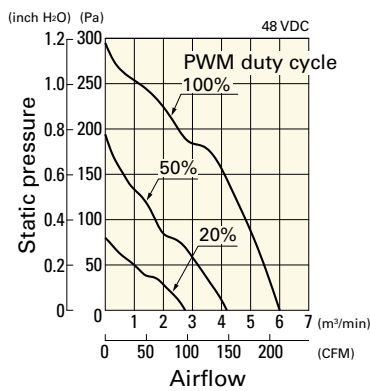


PWM duty - Speed characteristics example

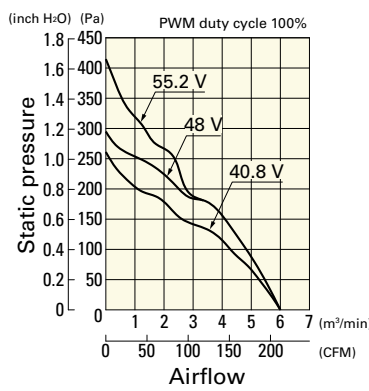


**9WL1448P5S001** With pulse sensor with PWM control function

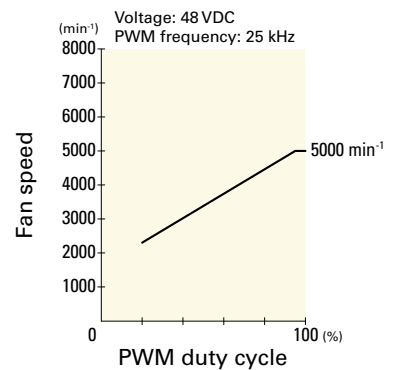
PWM duty cycle



Operating voltage range



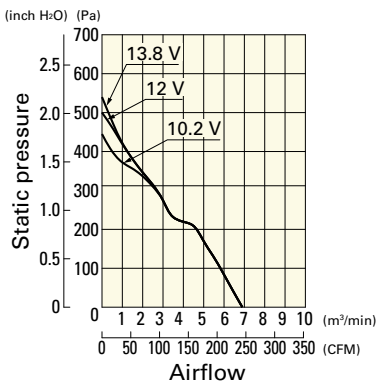
PWM duty - Speed characteristics example



## Airflow - Static Pressure Characteristics

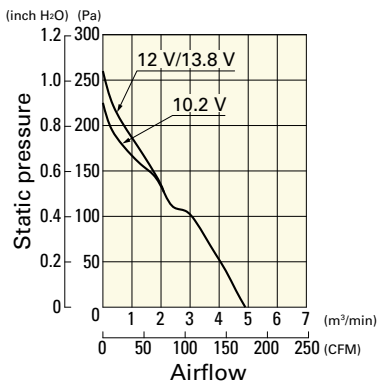
**9WL1412A5001** With pulse sensor

Operating voltage range



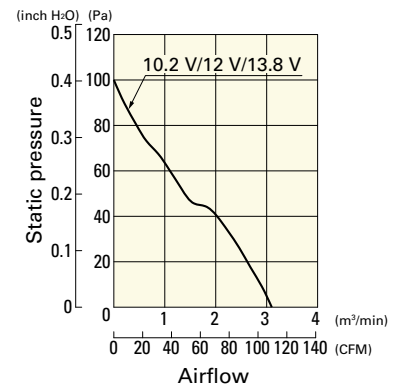
**9WL1412H5001** With pulse sensor

Operating voltage range



**9WL1412M5001** With pulse sensor

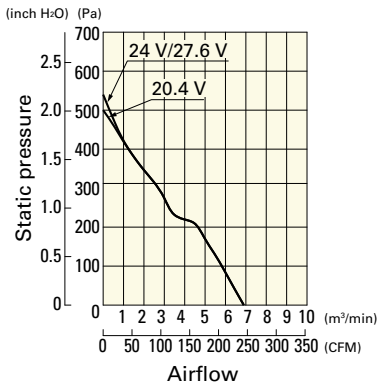
Operating voltage range



## Airflow - Static Pressure Characteristics

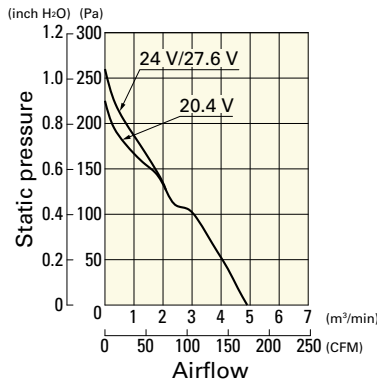
**9WL1424A5001** With pulse sensor

Operating voltage range



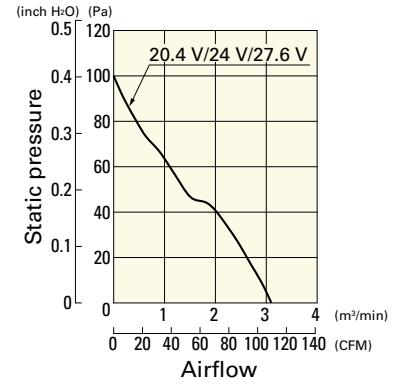
**9WL1424H5001** With pulse sensor

Operating voltage range



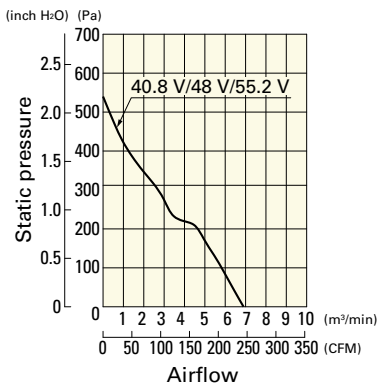
**9WL1424M5001** With pulse sensor

Operating voltage range



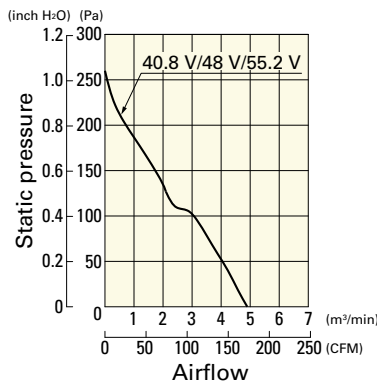
**9WL1448A5001** With pulse sensor

Operating voltage range



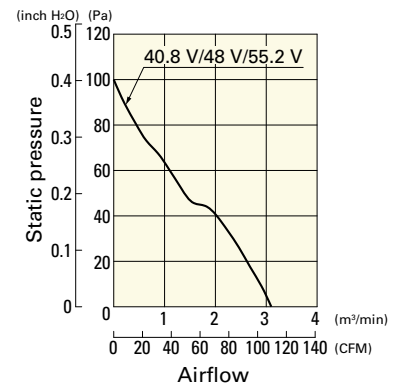
**9WL1448H5001** With pulse sensor

Operating voltage range

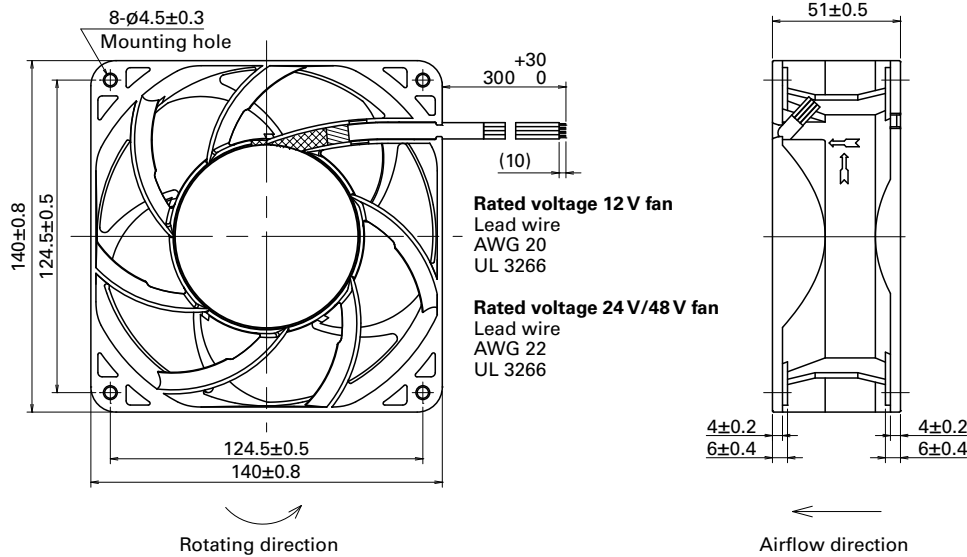


**9WL1448M5001** With pulse sensor

Operating voltage range

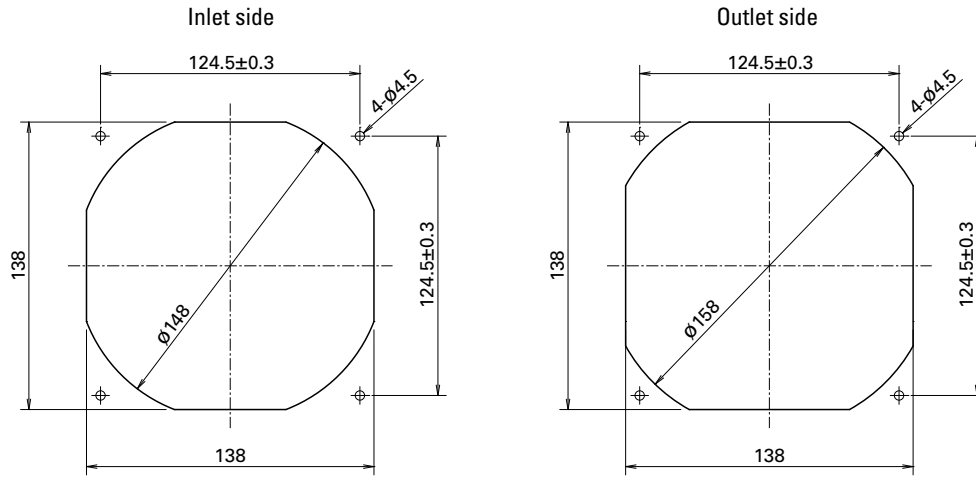


## Dimensions (unit: mm)





■ Reference Dimensions of Mounting Holes and Vent Opening (unit: mm)



■ Options

Finger guards

page: p. 559

Model no.: 109-719, 109-719H



# Ø 172x150x51 mm

San Ace 172W 9WG type US

Sidecut type

DC  
Splash Proof Fan Ø172 mm

## General Specifications

- Material ..... Frame: Aluminum (Black coating), Impeller: Plastic (Flammability: UL 94V-1)
- Expected life ..... See the table below. (L10 life: 90% survival rate for continuous operation in indoor free air at 60°C, rated voltage)  
Expected life at 40°C is for reference only.
- Motor protection function ..... Locked rotor burnout protection, Reverse polarity protection  
For details, please refer to p. 573.
- Dielectric strength ..... 50/60 Hz, 500 VAC, for 1 minute (between lead wire conductors and frame)
- Insulation resistance ..... 10 MΩ or more with a 500 VDC megger (between lead wire conductors and frame)
- Sound pressure level (SPL) ..... At 1 m away from the air inlet
- Storage temperature ..... -30 to +70°C (Non-condensing)
- Lead wire ..... ⊕Red ⊖Black  Sensor  Yellow  Control  Brown
- Mass ..... 860 g
- Ingress protection ..... IP68

## Specifications

The models listed below **have pulse sensors with PWM control function.**

Model no.	Rated voltage [V]	Operating voltage range [V]	PWM duty cycle [%]	Rated current [A]	Rated input [W]	Rated speed [min <sup>-1</sup> ]	Max. airflow [m <sup>3</sup> /min] [CFM]	Max. static pressure [Pa] [inchH <sub>2</sub> O]	SPL [dB (A)]	Operating temperature [°C]	Expected life [h]
9WG5748P5G001	48	40.8 to 55.2	100	2.91	140.0	8600	15.46 546	1000 4.02	78	-20 to +70	40000/60°C (70000/40°C)
			0	0.21	10.1	2000	3.59 127	75.1 0.3	40		
9WG5748P5H001			100	1.62	78.0	6500	11.6 410	770 3.09	71		
			0	0.21	10.1	2000	3.59 127	75.1 0.3	40		

\* PWM input frequency is 25 kHz; models without specifications at 0% PWM duty cycle have zero fan speed at 0%.

The following sensor and control options are available for selection.

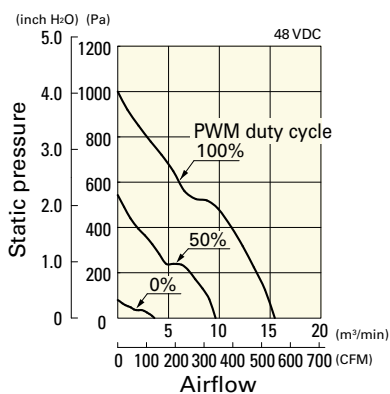
Available for all models. **Without sensor**

Differs according to the model. Refer to the table on p. 611. **Pulse sensor** **Lock sensor**

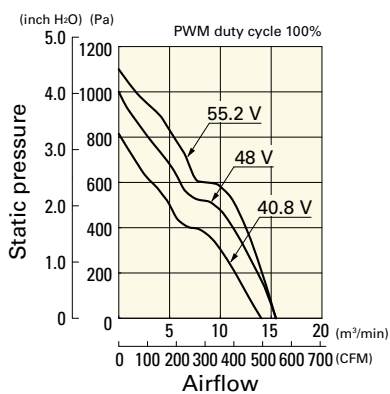
## Airflow - Static Pressure Characteristics / PWM Duty - Speed Characteristics Example

**9WG5748P5G001** With pulse sensor with PWM control function

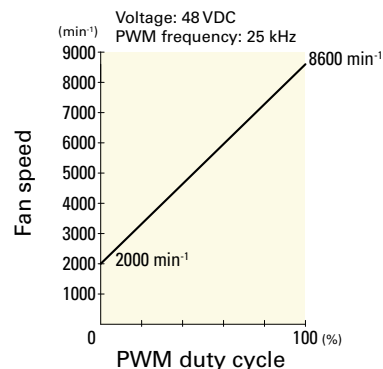
PWM duty cycle



Operating voltage range



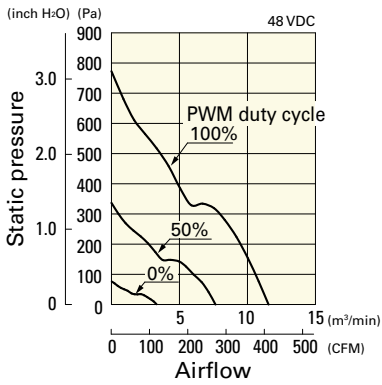
PWM duty - Speed characteristics example



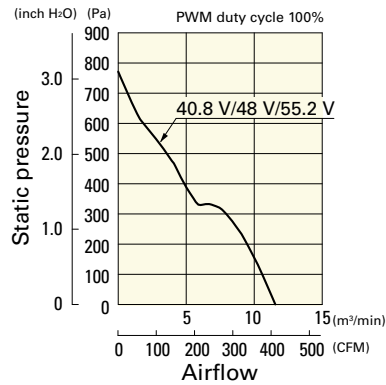
## Airflow - Static Pressure Characteristics / PWM Duty - Speed Characteristics Example

9WG5748P5H001 With pulse sensor with PWM control function

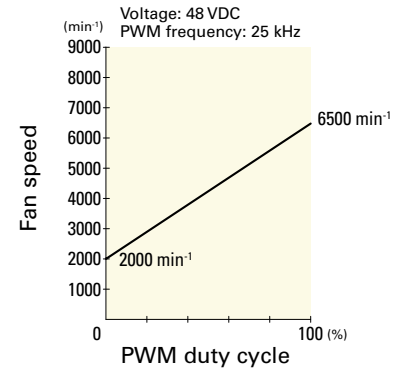
PWM duty cycle



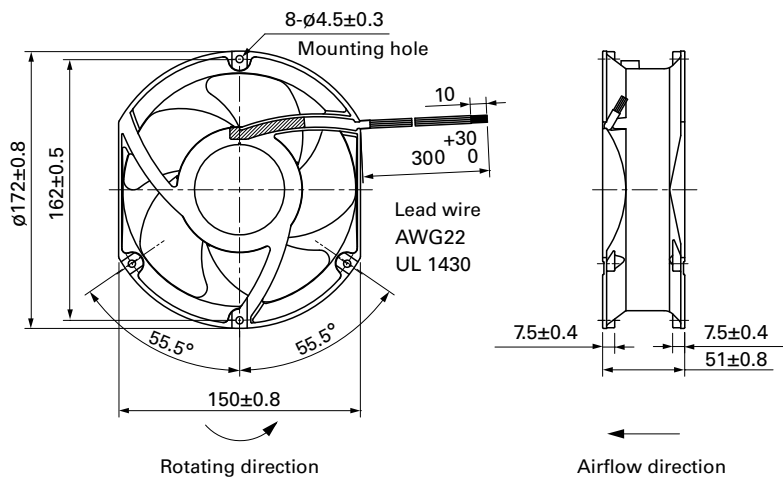
Operating voltage range



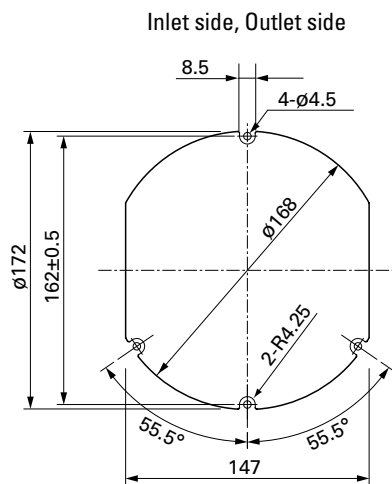
PWM duty - Speed characteristics example



## Dimensions (unit: mm)



## Reference Dimensions of Mounting Holes and Vent Opening (unit: mm)



## Options

Finger guards

page: p. 560

Model no.: 109-319J, 109-319E, 109-319H, 109-320

DC  
Splash Proof Fan  $\phi 172$  mm



# Ø 172x150x51 mm

San Ace 172W 9WE<sub>type</sub>

Sidecut type

DC  
Splash Proof Fan Ø172 mm

## General Specifications

- Material ..... Frame: Aluminum (Black coating), Impeller: Plastic (Flammability: UL 94V-1)
- Expected life ..... See the table below. (L10 life: 90% survival rate for continuous operation in indoor free air at 60°C, rated voltage)  
Expected life at 40°C is for reference only.
- Motor protection function ..... Locked rotor burnout protection, Reverse polarity protection  
For details, please refer to p. 573.
- Dielectric strength ..... 50/60 Hz, 500 VAC, for 1 minute (between lead wire conductors and frame)
- Insulation resistance ..... 10 MΩ or more with a 500 VDC megger (between lead wire conductors and frame)
- Sound pressure level (SPL) ..... At 1 m away from the air inlet
- Storage temperature ..... -30 to +70°C (Non-condensing)
- Lead wire ..... ⊕Red ⊖Black or Blue  Sensor Yellow
- Mass ..... 860 g
- Ingress protection ..... IP68

## Specifications

The models listed below **have pulse sensors**.

Model no.	Rated voltage [V]	Operating voltage range [V]	Rated current [A]	Rated input [W]	Rated speed [min <sup>-1</sup> ]	Max. airflow [m <sup>3</sup> /min] [CFM]	Max. static pressure [Pa] [inchH <sub>2</sub> O]	SPL [dB (A)]	Operating temperature [°C]	Expected life [h]
9WE5724K501	24	20.4 to 27.6	1.3	31.2	4100	8.5 300	243 0.976	60	-20 to +60	40000/60°C (70000/40°C)
9WE5748K501	48	40.8 to 55.2	0.7	33.6	4100	8.5 300	243 0.976	60		

The following sensor and control options are available for selection.

Available for all models. **Without sensor**

Differs according to the model. Refer to the table on p. 610. **Lock sensor** **PWM control**

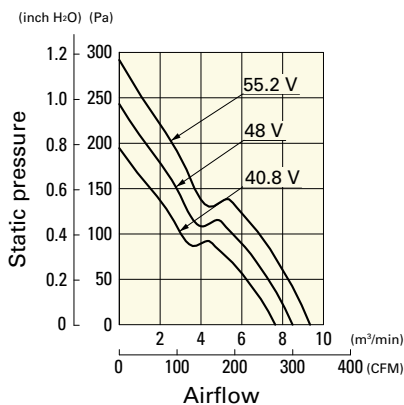
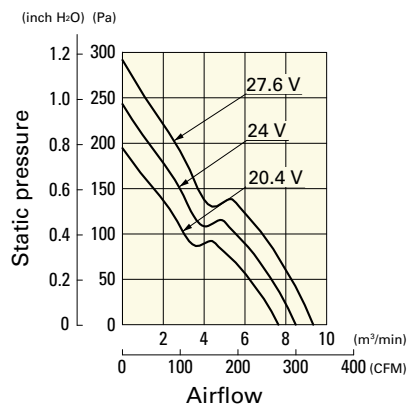
## Airflow - Static Pressure Characteristics

**9WE5724K501** With pulse sensor

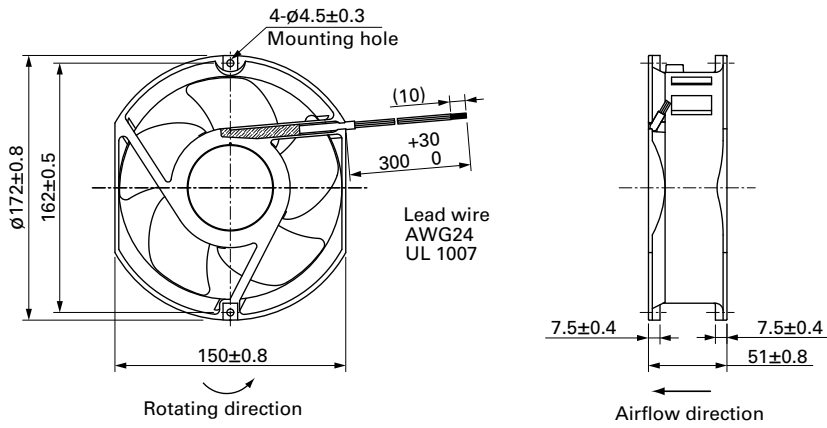
**9WE5748K501** With pulse sensor

Operating voltage range

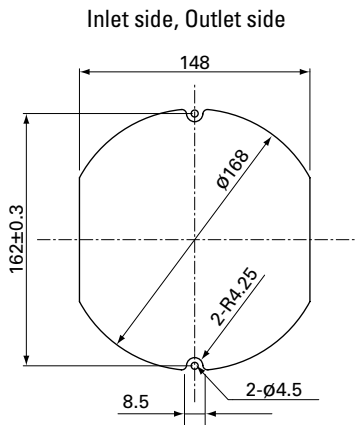
Operating voltage range



## Dimensions (unit: mm)



## Reference Dimensions of Mounting Holes and Vent Opening (unit: mm)



## Options

Finger guards

page: p. 560

Model no.: 109-319E, 109-319H, 109-320



Ø 172x51 mm

San Ace 172W 9WE<sub>type</sub>

Round type

DC  
Splash Proof Fan Ø172 mm

**General Specifications**

- Material ..... Frame: Aluminum (Black coating), Impeller: Plastic (Flammability: UL 94V-1)
- Expected life ..... See the table below. (L10 life: 90% survival rate for continuous operation in indoor free air at 60°C, rated voltage)  
Expected life at 40°C is for reference only.
- Motor protection function ..... Locked rotor burnout protection, Reverse polarity protection  
For details, please refer to p. 573.
- Dielectric strength ..... 50/60 Hz, 500 VAC, for 1 minute (between lead wire conductors and frame)
- Insulation resistance ..... 10 MΩ or more with a 500 VDC megger (between lead wire conductors and frame)
- Sound pressure level (SPL) ..... At 1 m away from the air inlet
- Storage temperature ..... -30 to +70°C (Non-condensing)
- Lead wire ..... ⊕Red ⊖Black or Blue  Sensor Yellow
- Mass ..... 890 g
- Ingress protection ..... IP68

**Specifications**

The models listed below **have pulse sensors**.

Model no.	Rated voltage [V]	Operating voltage range [V]	Rated current [A]	Rated input [W]	Rated speed [min <sup>-1</sup> ]	Max. airflow [m <sup>3</sup> /min] [CFM]	Max. static pressure [Pa] [inchH <sub>2</sub> O]	SPL [dB (A)]	Operating temperature [°C]	Expected life [h]
<b>9WE1724K501</b>	24	20.4 to 27.6	1.3	31.2	4100	8.5 300.1	243 0.97	55	-20 to +60	40000/60°C (70000/40°C)

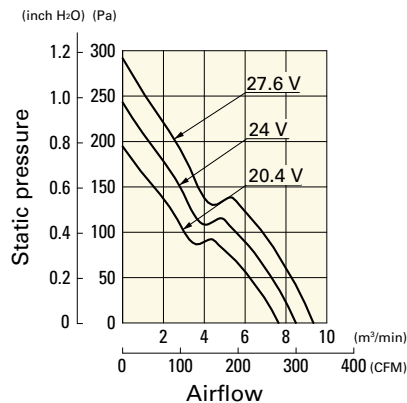
The following sensor and control options are available for selection.

Available for all models.  Without sensor

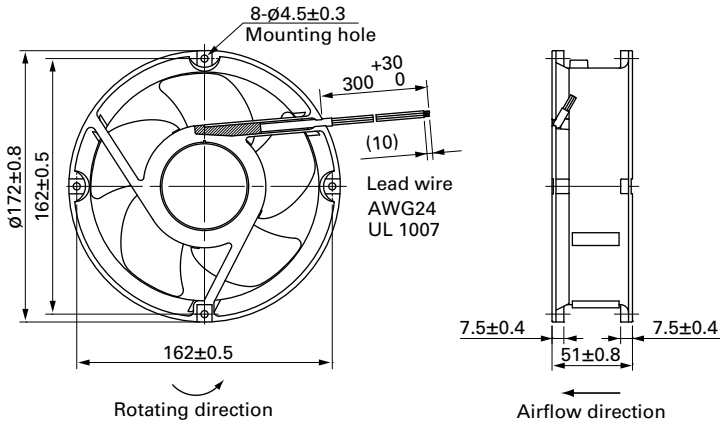
**Airflow - Static Pressure Characteristics**

**9WE1724K501** With pulse sensor

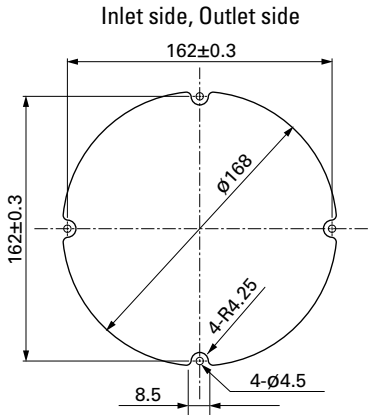
Operating voltage range



**Dimensions (unit: mm)**



**Reference Dimensions of Mounting Holes and Vent Opening (unit: mm)**



**Options**

Finger guards

page: p. 560

Model no.: 109-1066, 109-1068, 109-319E, 109-319H,  
109-320





# Splash Proof Centrifugal Fan

Centrifugal fans of IP54 and IP56 waterproof capability. For more information on IP rating, refer to p. 579.  
 Related product: Splash Proof Fan p. 263, Centrifugal Fan p. 443, Splash Proof Blower p. 341,  
 Oil Proof Fan p. 345

**Model Numbering System** Not every combination of the following codes or characters is available. Contact us for an available combination.

<b>9W1T</b>	<b>M</b>	<b>48</b>	<b>P</b>	<b>4</b>	<b>H</b>	<b>01</b>
Type name	Impeller size	Voltage	PWM control function	Thickness	Speed code	Individual customer's spec. (2 to 3 digits)

Type name	9W1T 9W2T					
Impeller size (mm)	G	J	M	N	P	S
	∅175	∅133	∅100	∅150	∅221	∅225
Voltage (V)	24	48				
	24	48				
Thickness (mm)	0	1	4			
	69 min.	35	25			
Speed code	H	G	S	etc.		



# ∅ 100x25 mm

San Ace 100W 9W1TM type US

DC  
Splash Proof Centrifugal Fan ∅100 mm

## General Specifications

- Material ..... Motor case: Aluminum (Black coating), Impeller: Plastic (Flammability: UL 94V-0)
- Expected life ..... See the table below. (L10 life: 90% survival rate for continuous operation in indoor free air at 60°C, rated voltage) Expected life at 40°C is for reference only.
- Motor protection function ..... Locked rotor burnout protection, Reverse polarity protection For details, please refer to p. 573.
- Dielectric strength ..... 50/60 Hz, 500 VAC, for 1 minute (between lead wire conductors and motor case)
- Insulation resistance ..... 10 MΩ or more with a 500 VDC megger (between lead wire conductors and motor case)
- Sound pressure level (SPL) ..... At 1 m away from the air inlet
- Storage temperature ..... -30 to +70°C (Non-condensing)
- Lead wire ..... ⊕Red ⊖Black  Sensor  Yellow  Control  Brown
- Mass ..... 160 g
- Ingress protection ..... IP54

## Specifications When the optional inlet nozzle (109-1080) is mounted.

The models listed below **have pulse sensors with PWM control function.**

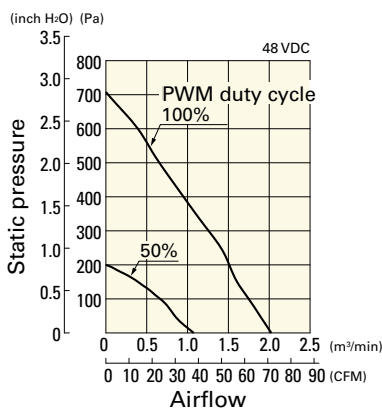
Model no.	Rated voltage [V]	Operating voltage range [V]	PWM duty cycle [%]	Rated current [A]	Rated input [W]	Rated speed [min <sup>-1</sup> ]	Max. airflow [m <sup>3</sup> /min] [CFM]	Max. static pressure [Pa] [inchH <sub>2</sub> O]	SPL [dB (A)]	Operating temperature [°C]	Expected life [h]
9W1TM48P4G01	48	36 to 60	100	0.36	17.28	7400	2.03 71.7	708 2.84	65	-20 to +70	40000/60°C (70000/40°C)
9W1TM48P4H01			100	0.22	10.56	6400	1.77 62.5	560 2.25	60		
			0	0.04	1.92	2000	0.51 18.0	48 0.19	34		

\* PWM input frequency is 25 kHz; models without specifications at 0% PWM duty cycle have zero fan speed at 0%.  
Max input of 9W1TM48P4G01: 22 W, 9W1TM48P4H01: 14 W at rated voltage.

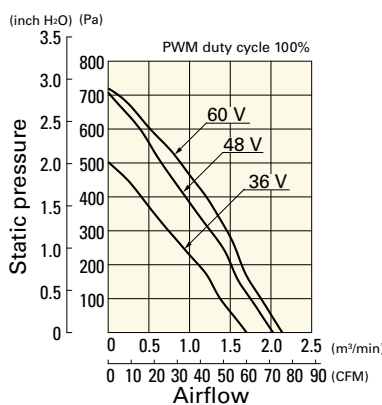
## Airflow - Static Pressure Characteristics / PWM Duty - Speed Characteristics Example

### 9W1TM48P4G01 With pulse sensor with PWM control function

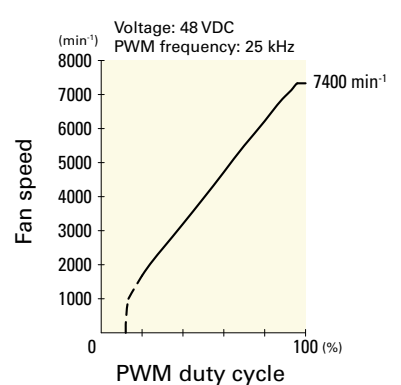
PWM duty cycle



Operating voltage range



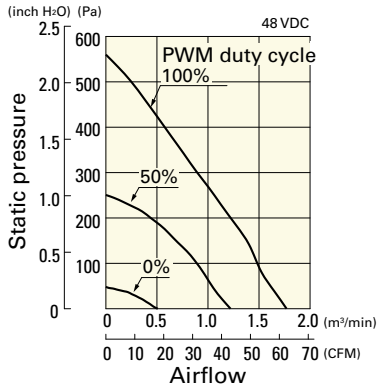
PWM duty - Speed characteristics example



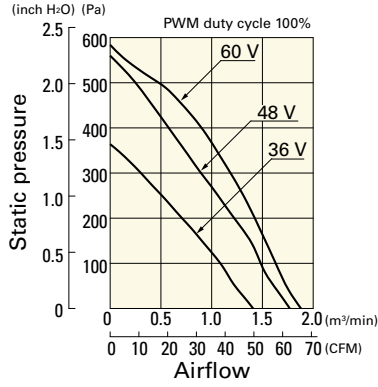
## Airflow - Static Pressure Characteristics / PWM Duty - Speed Characteristics Example

**9W1TM48P4H01** With pulse sensor with PWM control function

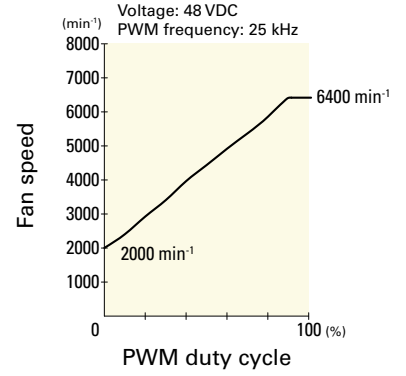
PWM duty cycle



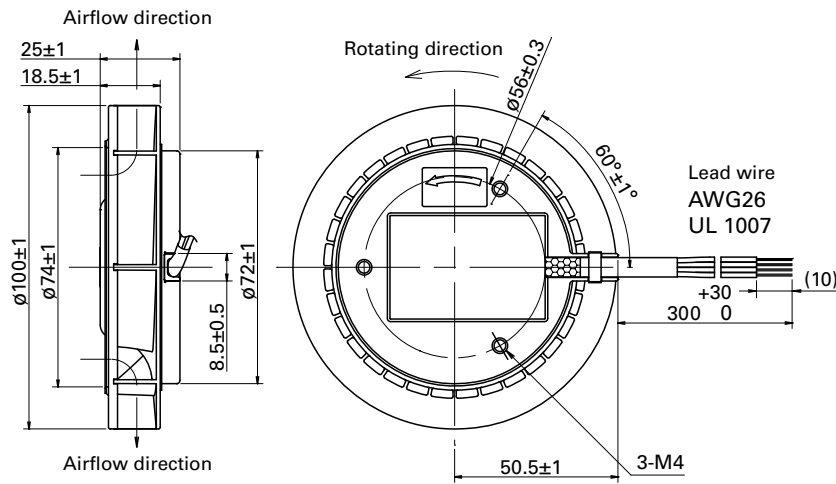
Operating voltage range



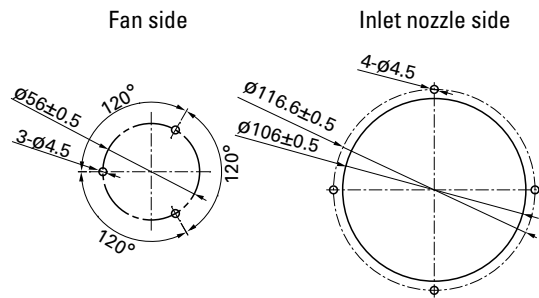
PWM duty - Speed characteristics example



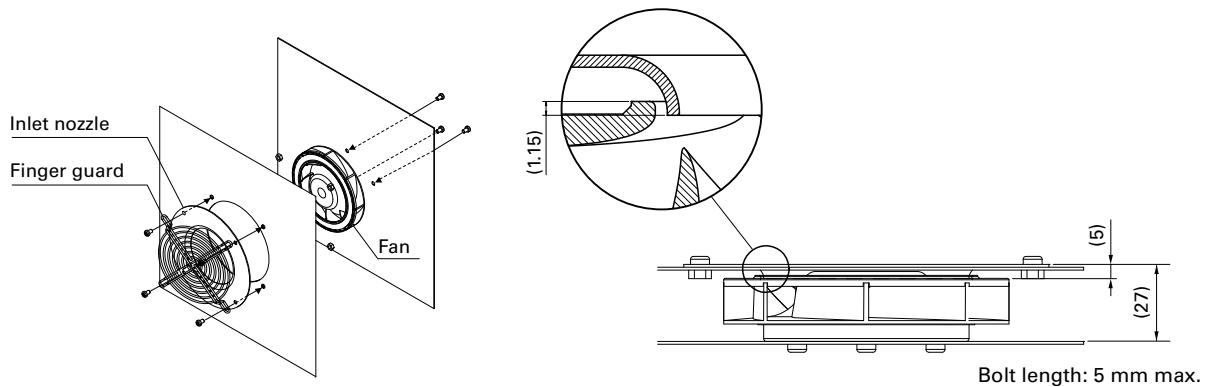
## Dimensions (unit: mm)



## Reference Dimensions of Mounting Holes and Vent Opening (unit: mm)



## Reference Diagram for Mounting



## Options

---

### Finger guards

page: p. 558

Model no.: 109-099E, 109-099H

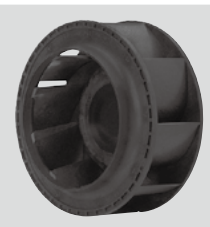
### Inlet nozzle

page: p. 563

Model no.: 109-1080, 109-1080H

DC

Splash Proof Centrifugal Fan  $\varnothing$ 100 mm



# Ø133x91 mm

San Ace 133W 9W1TJ type US

## General Specifications

- Material ..... Motor case: Aluminum (Black coating), Impeller: Plastic (Flammability: UL 94V-0)
- Expected life ..... See the table below. (L10 life: 90% survival rate for continuous operation in indoor free air at 60°C, rated voltage) Expected life at 40°C is for reference only.
- Motor protection function ..... Locked rotor burnout protection, Reverse polarity protection  
For details, please refer to p. 573.
- Dielectric strength ..... 50/60 Hz, 500 VAC, for 1 minute (between lead wire conductors and motor case)
- Insulation resistance ..... 10 MΩ or more with a 500 VDC megger (between lead wire conductors and motor case)
- Sound pressure level (SPL) ..... At 1 m away from the air inlet
- Storage temperature ..... -30 to +70°C (Non-condensing)
- Lead wire ..... ⊕Red ⊖Black  Sensor  Yellow  Control  Brown
- Mass ..... 720 g
- Ingress protection ..... IP54

## Specifications

When the optional inlet nozzle (109-1069) is mounted.

The models listed below **have pulse sensors with PWM control function.**

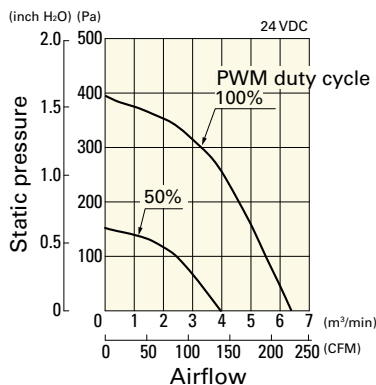
Model no.	Rated voltage [V]	Operating voltage range [V]	PWM duty cycle [%]	Rated current [A]	Rated input [W]	Rated speed [min <sup>-1</sup> ]	Max. airflow [m <sup>3</sup> /min] [CFM]	Max. static pressure [Pa] [inchH <sub>2</sub> O]	SPL [dB (A)]	Operating temperature [°C]	Expected life [h]
9W1TJ24P0H61	24	20.4 to 27.6	100	1.2	28.8	4150	6.39 225	395 1.59	61	-20 to +70	40000/60°C (70000/40°C)
9W1TJ48P0H61	48	36 to 60	100	0.55	26.4	4150	6.39 225	395 1.59	61		

\* PWM input frequency is 25 kHz; models without specifications at 0% PWM duty cycle have zero fan speed at 0%.  
Max input is 45 W at rated voltage.

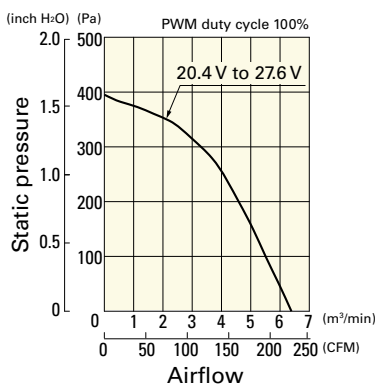
## Airflow - Static Pressure Characteristics / PWM Duty - Speed Characteristics Example

### 9W1TJ24P0H61 With pulse sensor with PWM control function

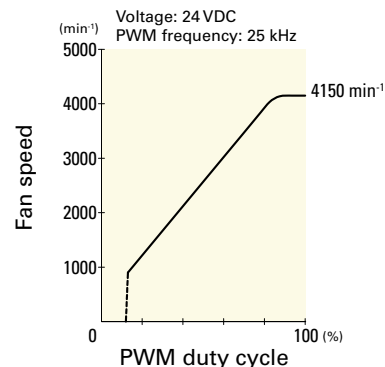
PWM duty cycle



Operating voltage range

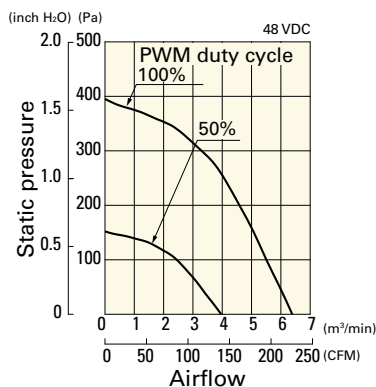


PWM duty - Speed characteristics example

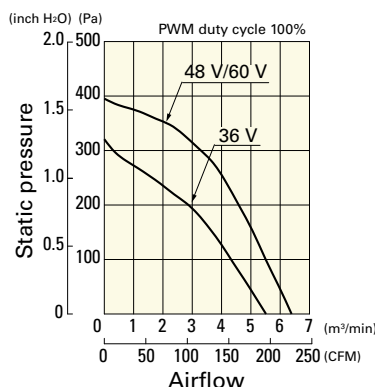


### 9W1TJ48P0H61 With pulse sensor with PWM control function

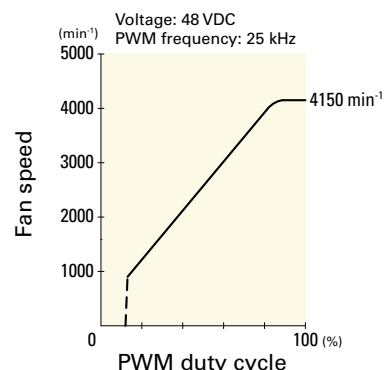
PWM duty cycle



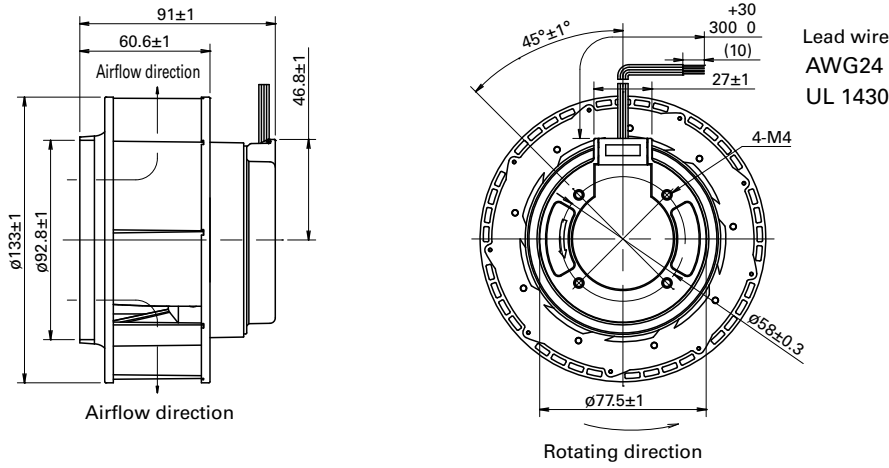
Operating voltage range



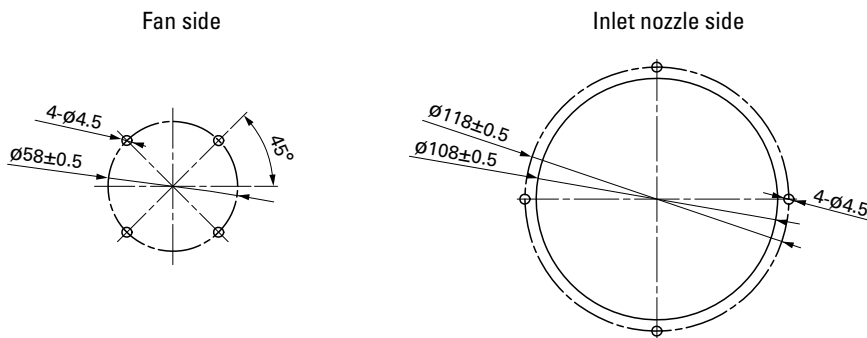
PWM duty - Speed characteristics example



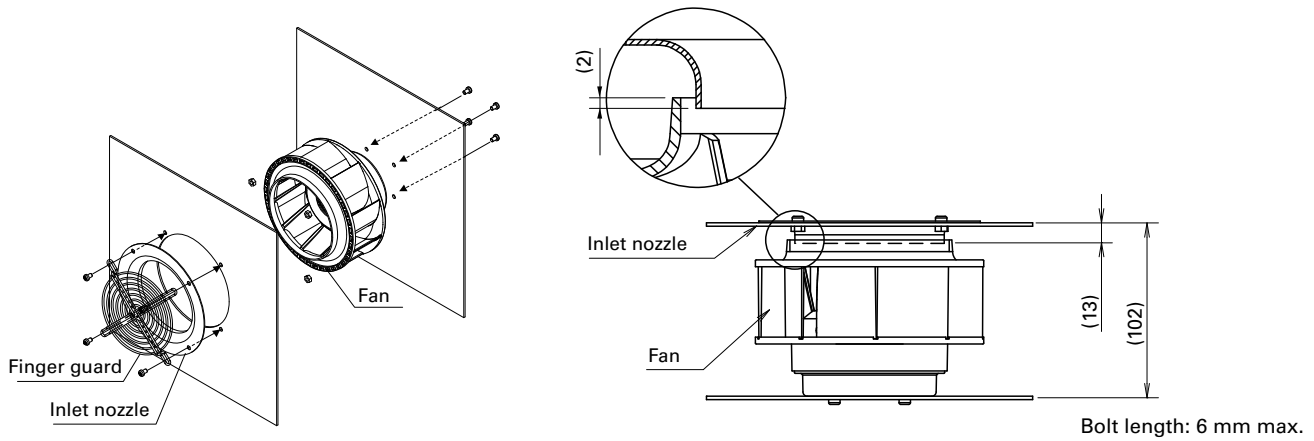
**Dimensions (unit: mm)**



**Reference Dimensions of Mounting Holes and Vent Opening (unit: mm)**



**Reference Diagram for Mounting**



**Options**

Finger guards

page: p. 559

Model no.: 109-1112

Inlet nozzle

page: p. 563

Model no.: 109-1069, 109-1069H



# Ø 150x35 mm

San Ace 150W 9W2TN type  

## General Specifications

- Material ..... Motor case: Aluminum (Black coating), Impeller: Plastic (Flammability: UL 94V-0)
- Expected life ..... See the table below. (L10 life: 90% survival rate for continuous operation in indoor free air at 60°C, rated voltage) Expected life at 40°C is for reference only.
- Motor protection function ..... Locked rotor burnout protection, Reverse polarity protection For details, please refer to p. 573.
- Dielectric strength ..... 50/60 Hz, 500 VAC, for 1 minute (between lead wire conductors and motor case)
- Insulation resistance ..... 10 MΩ or more with a 500 VDC megger (between lead wire conductors and motor case)
- Sound pressure level (SPL) ..... At 1 m away from the air inlet
- Storage temperature ..... -30 to +70°C (Non-condensing)
- Lead wire ..... ⊕Red ⊖Black (Sensor) Yellow (Control) Brown
- Mass ..... 360 g
- Ingress protection ..... IP68

## Specifications When the optional inlet nozzle (109-1081H) is mounted.

The models listed below **have pulse sensors with PWM control function.**

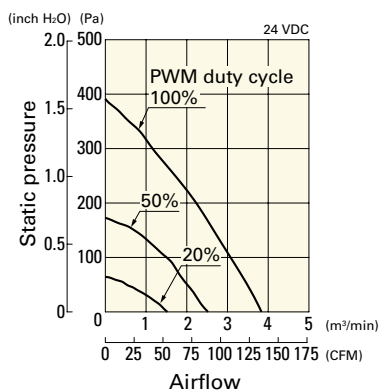
Model no.	Rated voltage [V]	Operating voltage range [V]	PWM duty cycle* [%]	Rated current [A]	Rated input [W]	Rated speed [min <sup>-1</sup> ]	Max. airflow [m <sup>3</sup> /min] [CFM]	Max. static pressure [Pa] [inchH <sub>2</sub> O]	SPL [dB (A)]	Operating temperature [°C]	Expected life [h]
9W2TN24P1H001	24	20.4 to 27.6	100	0.64	15.4	3800	3.83 135	390 1.57	59	-20 to +70	40000/60°C (70000/40°C)
			20	0.16	3.84	1500	1.51 53	60.7 0.24	38		
9W2TN48P1H001	48	36 to 55.2	100	0.32	15.4	3800	3.83 135	390 1.57	59		
			20	0.08	3.84	1500	1.51 53	60.7 0.24	38		

\* PWM input frequency is 25 kHz; models without specifications at 0% PWM duty cycle have zero fan speed at 0%. Max input is 22 W at rated voltage.

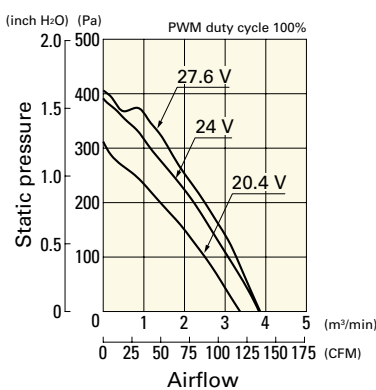
## Airflow - Static Pressure Characteristics / PWM Duty - Speed Characteristics Example

### 9W2TN24P1H001 With pulse sensor with PWM control function

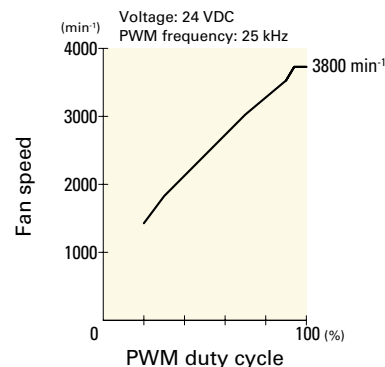
PWM duty cycle



Operating voltage range



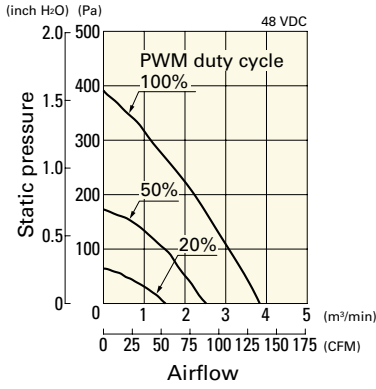
PWM duty - Speed characteristics example



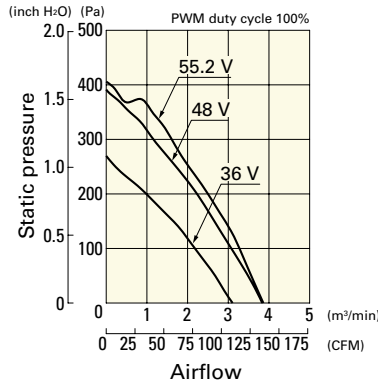
**Airflow - Static Pressure Characteristics / PWM Duty - Speed Characteristics Example**

**9W2TN48P1H001** With pulse sensor with PWM control function

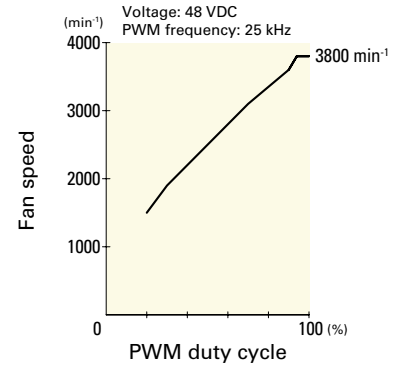
PWM duty cycle



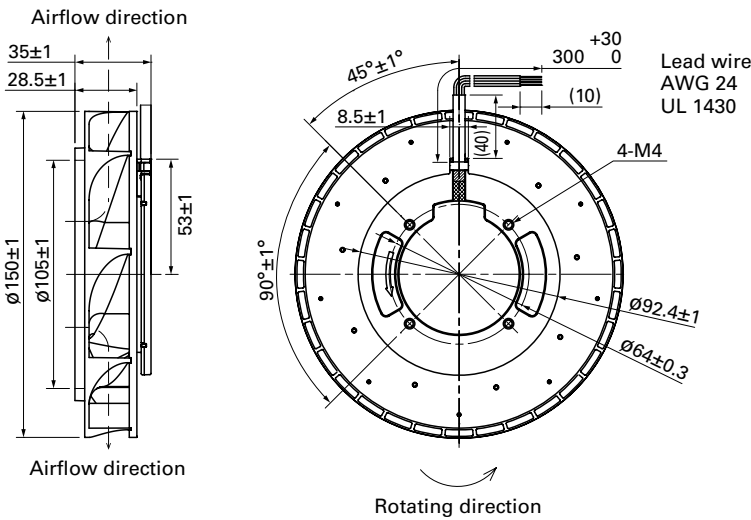
Operating voltage range



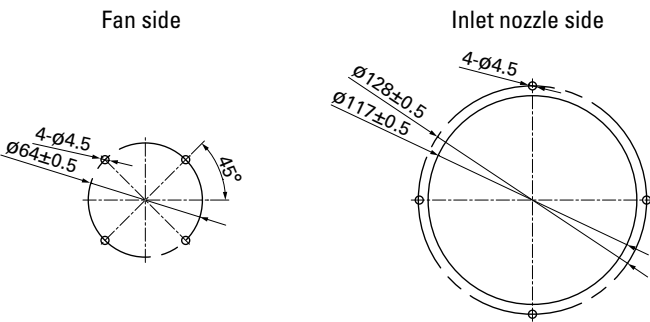
PWM duty - Speed characteristics example



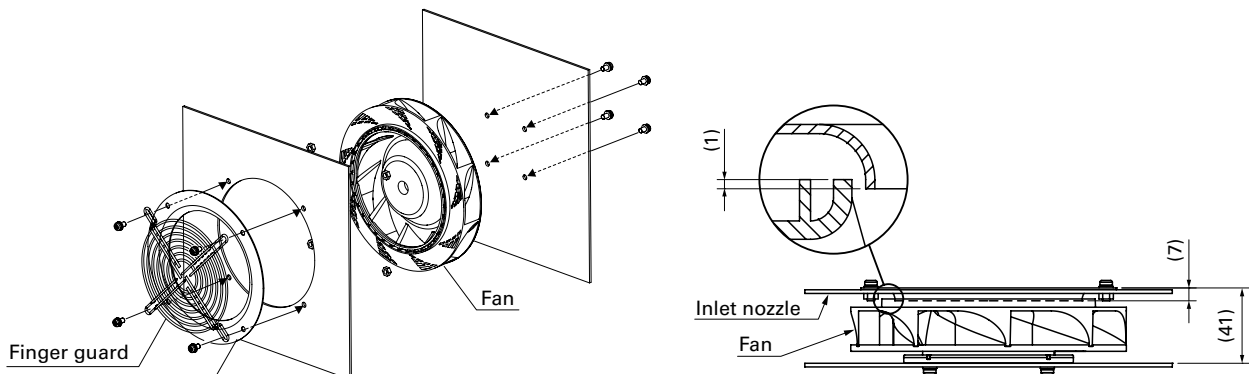
**Dimensions (unit: mm)**



**Reference Dimensions of Mounting Holes and Vent Opening (unit: mm)**



**Reference Diagram for Mounting**





## Options

---

### Finger guards

page: p. 559

Model no.: 109-1104, 109-1104H

### Inlet nozzle

page: p. 563

Model no.: 109-1081, 109-1081H

**DC**

Splash Proof Centrifugal Fan ø150 mm



# Ø150x35 mm

San Ace 150W 9W1TN type

Splash Proof Centrifugal Fan Ø150 mm DC

## General Specifications

- Material ..... Motor case: Aluminum (Black coating), Impeller: Plastic (Flammability: UL 94V-0)
- Expected life ..... See the table below. (L10 life: 90% survival rate for continuous operation in indoor free air at 60°C, rated voltage) Expected life at 40°C is for reference only.
- Motor protection function ..... Locked rotor burnout protection, Reverse polarity protection  
For details, please refer to p. 573.
- Dielectric strength ..... 50/60 Hz, 500 VAC, for 1 minute (between lead wire conductors and motor case)
- Insulation resistance ..... 10 MΩ or more with a 500 VDC megger (between lead wire conductors and motor case)
- Sound pressure level (SPL) ..... At 1 m away from the air inlet
- Storage temperature ..... -30 to +70°C (Non-condensing)
- Lead wire ..... ⊕Red ⊖Black  Sensor  Yellow  Control  Brown
- Mass ..... 330 g
- Ingress protection ..... IP54

## Specifications When the optional inlet nozzle (109-1081) is mounted.

The models listed below **have pulse sensors with PWM control function.**

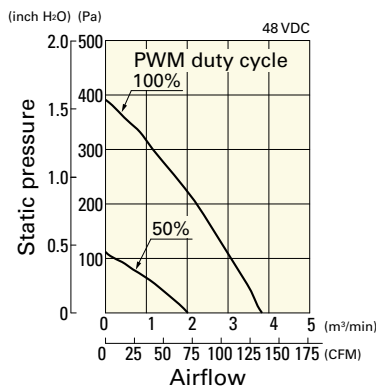
Model no.	Rated voltage [V]	Operating voltage range [V]	PWM duty cycle [%]	Rated current [A]	Rated input [W]	Rated speed [min <sup>-1</sup> ]	Max. airflow [m <sup>3</sup> /min] [CFM]	Max. static pressure [Pa] [inchH <sub>2</sub> O]	SPL [dB (A)]	Operating temperature [°C]	Expected life [h]
9W1TN48P1H01	48	36.0 to 55.2	100	0.32	15.4	3800	3.83 135	390 1.57	59	-20 to +70	40000/60°C (70000/40°C)

\* PWM input frequency is 25 kHz; models without specifications at 0% PWM duty cycle have zero fan speed at 0%.  
Max input is 22 W at rated voltage.

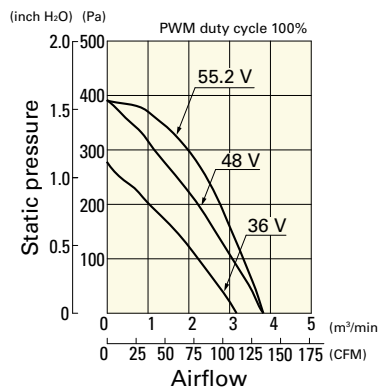
## Airflow - Static Pressure Characteristics / PWM Duty - Speed Characteristics Example

**9W1TN48P1H01** With pulse sensor with PWM control function

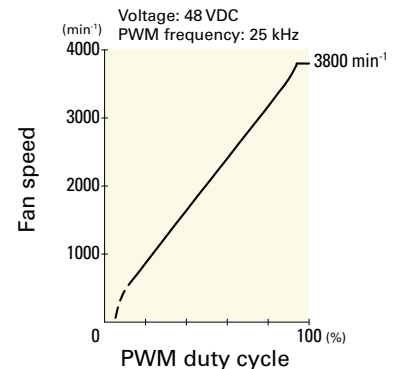
PWM duty cycle



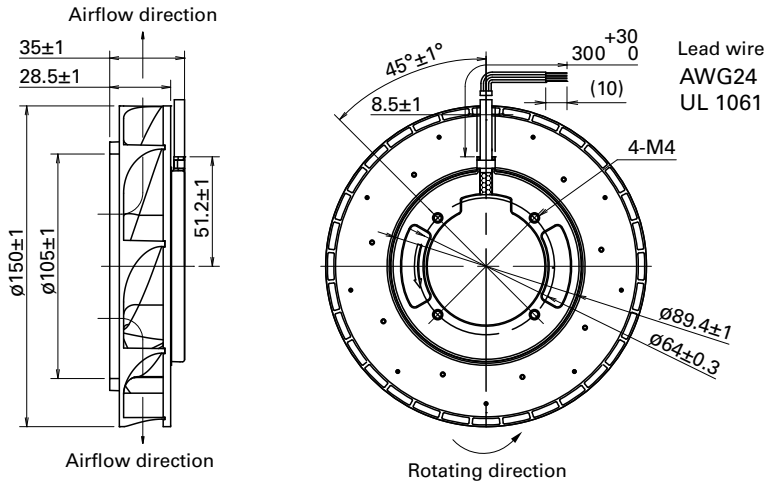
Operating voltage range



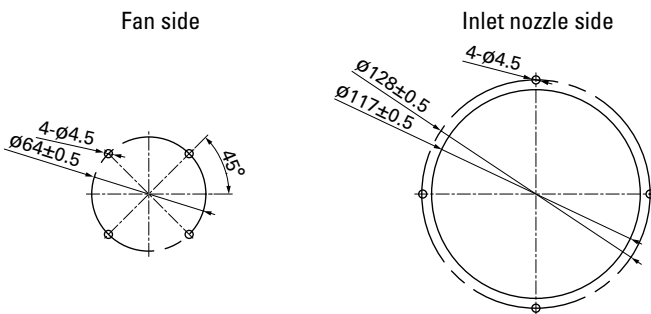
PWM duty - Speed characteristics example



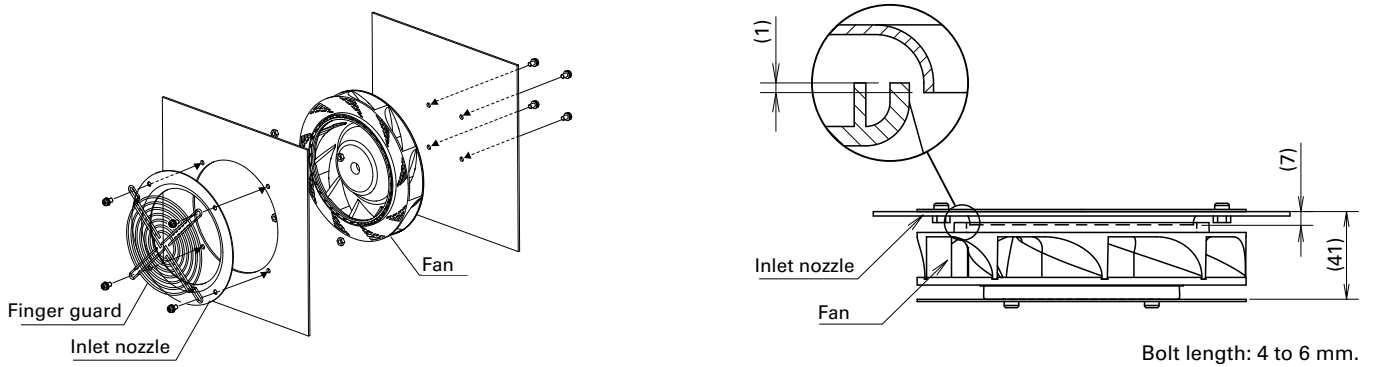
## Dimensions (unit: mm)



## Reference Dimensions of Mounting Holes and Vent Opening (unit: mm)



## Reference Diagram for Mounting



## Options

### Finger guards

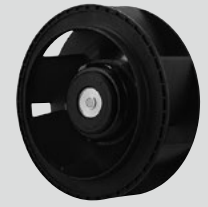
page: p. 559

Model no.: 109-1104, 109-1104H

### Inlet nozzle

page: p. 563

Model no.: 109-1081, 109-1081H



# Ø 175x69 mm

San Ace 175W 9W2TGA type 

DC  
Splash Proof Centrifugal Fan Ø175 mm

## General Specifications

- Material ..... Motor case: Aluminum (Black coating), Impeller: Plastic (Flammability: UL 94V-0)
- Expected life ..... See the table below. (L10 life: 90% survival rate for continuous operation in indoor free air at 60°C, rated voltage) Expected life at 40°C is for reference only.
- Motor protection function ..... Locked rotor burnout protection, Reverse polarity protection  
For details, please refer to p. 573.
- Dielectric strength ..... 50/60 Hz, 500 VAC, for 1 minute (between lead wire conductors and motor case)
- Insulation resistance ..... 10 MΩ or more with a 500 VDC megger (between lead wire conductors and motor case)
- Sound pressure level (SPL) ..... At 1 m away from the air inlet
- Storage temperature ..... -30 to +70°C (Non-condensing)
- Lead wire ..... ⊕Red ⊖Black  Sensor  Yellow  Control  Brown
- Mass ..... 980 g
- Ingress protection ..... IP56

## Specifications When the optional inlet nozzle (109-1073H) is mounted.

The models listed below **have pulse sensors with PWM control function.**

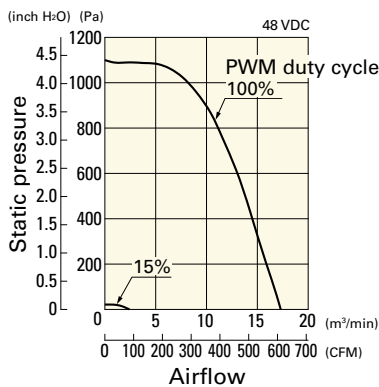
Model no.	Rated voltage [V]	Operating voltage range [V]	PWM duty cycle [%]	Rated current [A]	Rated input [W]	Rated speed [min <sup>-1</sup> ]	Max. airflow [m <sup>3</sup> /min] [CFM]	Max. static pressure [Pa] [inchH <sub>2</sub> O]	SPL [dB (A)]	Operating temperature [°C]	Expected life [h]
9W2TGA48P0G001	48	36 to 72	100	3.85	184.8	5700	17.3 611	1100 4.42	80	-30 to +60	40000/60°C (70000/40°C)
			15	0.08	3.84	800	2.4 84.7	21.7 0.087	38		

\* PWM input frequency is 25 kHz; models without specifications at 0% PWM duty cycle have zero fan speed at 0%.  
Max input is 330 W at rated voltage.

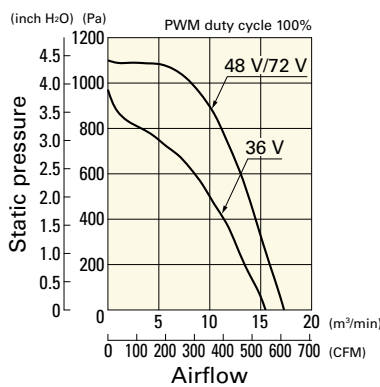
## Airflow - Static Pressure Characteristics / PWM Duty - Speed Characteristics Example

### 9W2TGA48P0G001 With pulse sensor with PWM control function

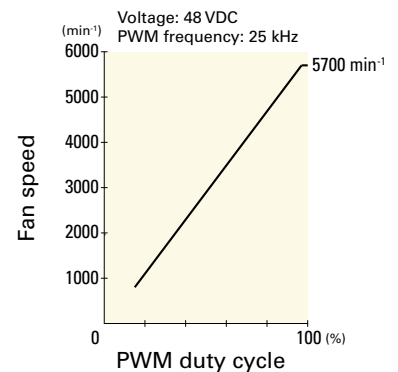
PWM duty cycle



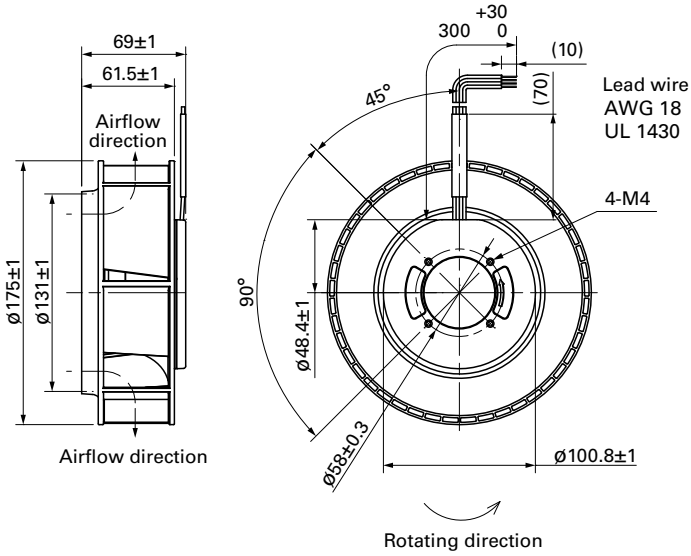
Operating voltage range



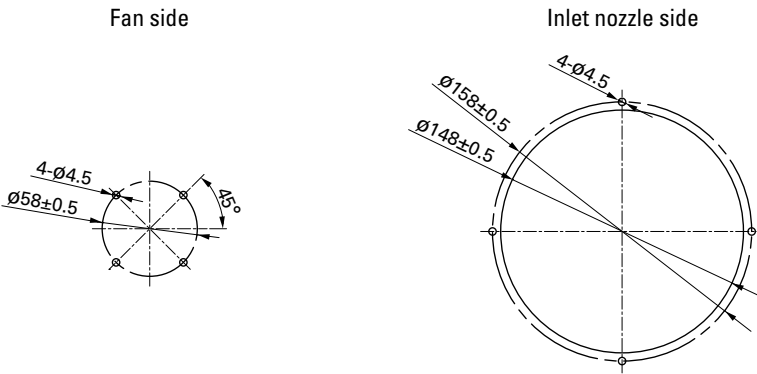
PWM duty - Speed characteristics example



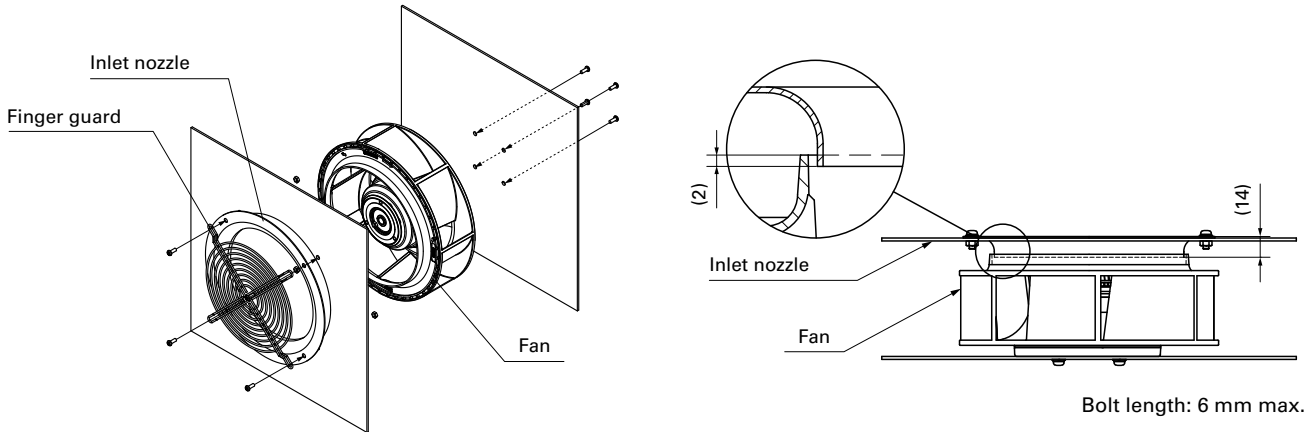
**Dimensions (unit: mm)**



**Reference Dimensions of Mounting Holes and Vent Opening (unit: mm)**



**Reference Diagram for Mounting**



**Options**

**Finger guards**

page: p. 559

Model no.: 109-722, 109-722H

**Inlet nozzle**

page: p. 563

Model no.: 109-1073, 109-1073H



# Ø 175x69 mm

San Ace 175W 9W1TG type

DC  
Splash Proof Centrifugal Fan Ø175 mm

## General Specifications

- Material ..... Motor case: Aluminum (Black coating), Impeller: Plastic (Flammability: UL 94V-0)
- Expected life ..... See the table below. (L10 life: 90% survival rate for continuous operation in indoor free air at 60°C, rated voltage) Expected life at 40°C is for reference only.
- Motor protection function ..... Locked rotor burnout protection, Reverse polarity protection  
For details, please refer to p. 573.
- Dielectric strength ..... 50/60 Hz, 500 VAC, for 1 minute (between lead wire conductors and motor case)
- Insulation resistance ..... 10 MΩ or more with a 500 VDC megger (between lead wire conductors and motor case)
- Sound pressure level (SPL) ..... At 1 m away from the air inlet
- Storage temperature ..... -30 to +70°C (Non-condensing)
- Lead wire ..... ⊕Red ⊖Black Sensor Yellow Control Brown
- Mass ..... 760 g
- Ingress protection ..... IP54

## Specifications When the optional inlet nozzle (109-1073) is mounted.

The models listed below **have pulse sensors with PWM control function.**

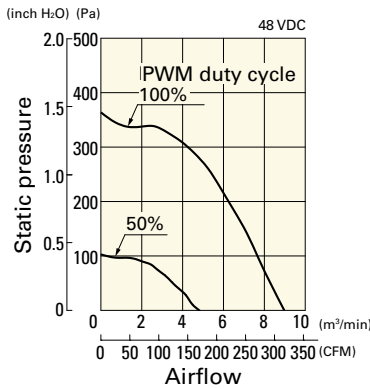
Model no.	Rated voltage [V]	Operating voltage range [V]	PWM duty cycle [%]	Rated current [A]	Rated input [W]	Rated speed [min <sup>-1</sup> ]	Max. airflow [m <sup>3</sup> /min] [CFM]	Max. static pressure [Pa] [inchH <sub>2</sub> O]	SPL [dB (A)]	Operating temperature [°C]	Expected life [h]
9W1TG48P0H61	48	36 to 60	100	0.65	31.2	3100	9.0 318	360 1.44	64	-20 to +70	40000/60°C (70000/40°C)

\* PWM input frequency is 25 kHz; models without specifications at 0% PWM duty cycle have zero fan speed at 0%.  
Max input is 60 W at rated voltage.

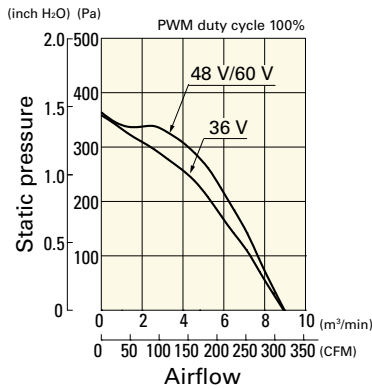
## Airflow - Static Pressure Characteristics / PWM Duty - Speed Characteristics Example

**9W1TG48P0H61** With pulse sensor with PWM control function

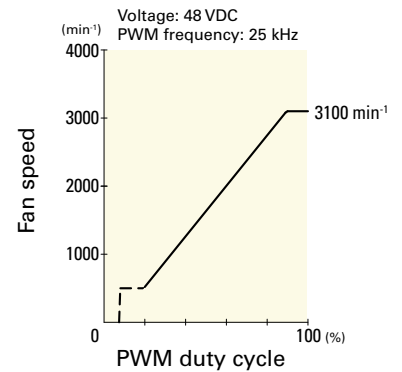
PWM duty cycle



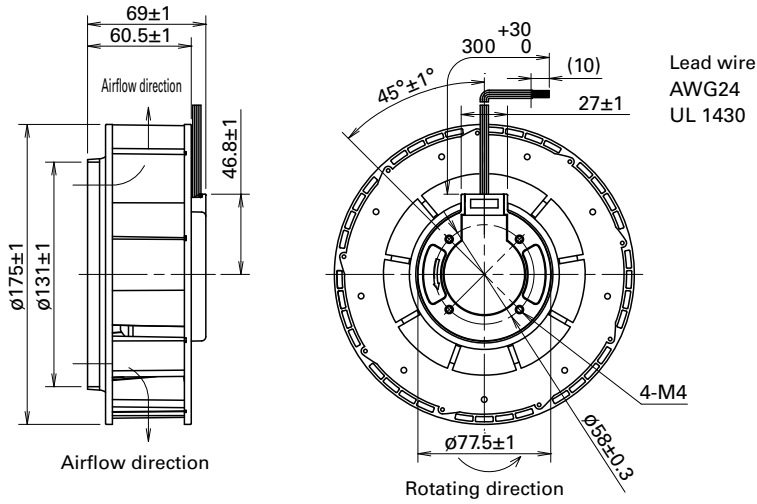
Operating voltage range



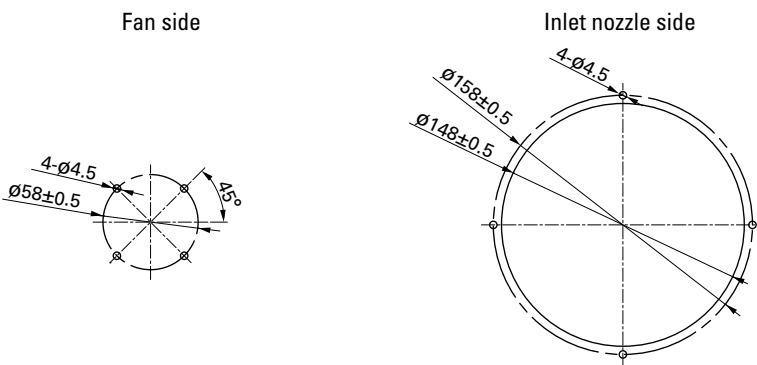
PWM duty - Speed characteristics example



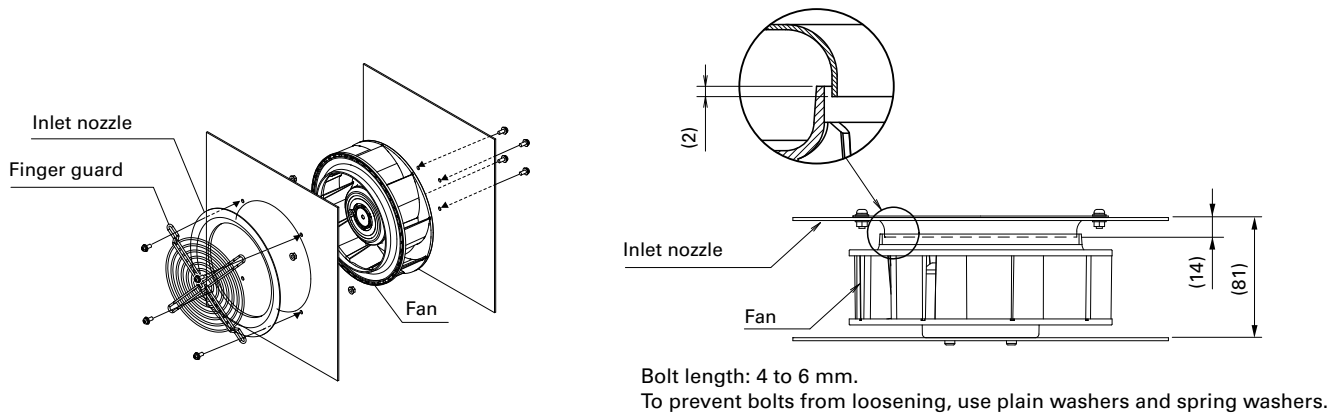
## Dimensions (unit: mm)



## Reference Dimensions of Mounting Holes and Vent Opening (unit: mm)



## Reference Diagram for Mounting



## Options

### Finger guards

page: p. 559

Model no.: 109-722, 109-722H

### Inlet nozzle

page: p. 563

Model no.: 109-1073, 109-1073H



# Ø221×71 mm

San Ace 221W 9W2TP type   

Splash Proof Centrifugal Fan Ø221 mm DC

### General Specifications

- Material ..... Motor case: Aluminum (Black coating), Impeller: Plastic (Flammability: UL 94V-0)
- Expected life ..... See the table below. (L10 life: 90% survival rate for continuous operation in indoor free air at 60°C, rated voltage) Expected life at 40°C is for reference only.
- Motor protection function ..... Locked rotor burnout protection, Reverse polarity protection  
For details, please refer to p. 573.
- Dielectric strength ..... 50/60 Hz, 500 VAC, for 1 minute (between lead wire conductors and motor case)
- Insulation resistance ..... 10 MΩ or more with a 500 VDC megger (between lead wire conductors and motor case)
- Sound pressure level (SPL) ..... At 1 m away from the air inlet
- Storage temperature ..... -30 to +70°C (Non-condensing)
- Lead wire ..... ⊕Red ⊖Black  Sensor  Yellow  Control  Brown
- Mass ..... 1250 g
- Ingress protection ..... IP56

### Specifications When the optional inlet nozzle (109-1135H) is mounted.

The models listed below **have pulse sensors with PWM control function.**

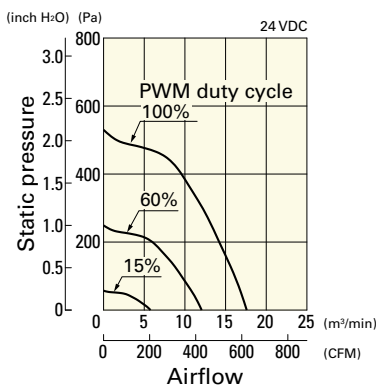
Model no.	Rated voltage [V]	Operating voltage range [V]	PWM duty cycle [%]	Rated current [A]	Rated input [W]	Rated speed [min <sup>-1</sup> ]	Max. airflow [m <sup>3</sup> /min] [CFM]	Max. static pressure [Pa] [inchH <sub>2</sub> O]	SPL [dB (A)]	Operating temperature [°C]	Expected life [h]
9W2TP24P0H001	24	16 to 36	100	3.35	80.4	3050	17.6 621	530 2.13	71.5	-25 to +70	40000/60°C (70000/40°C)
			15	0.4	9.6	1000	5.75 203	57.0 0.23	53.5		
9W2TP48P0S001	48	36 to 72	100	2.3	110.4	3400	19.6 692	659 2.65	73.5		
			15	0.2	9.6	1000	5.75 203	57.0 0.23	53.5		

\* PWM input frequency is 25 kHz; models without specifications at 0% PWM duty cycle have zero fan speed at 0%.  
Max input of 9W2TP24P0H001: 150 W, 9W2TP48P0S001: 210 W at rated voltage.

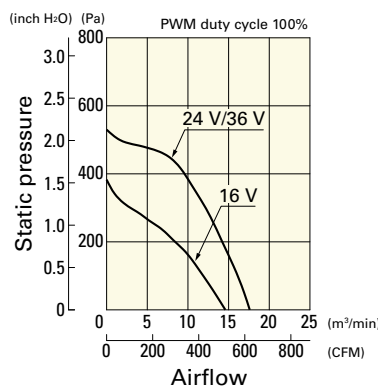
### Airflow - Static Pressure Characteristics / PWM Duty - Speed Characteristics Example

#### 9W2TP24P0H001 With pulse sensor with PWM control function

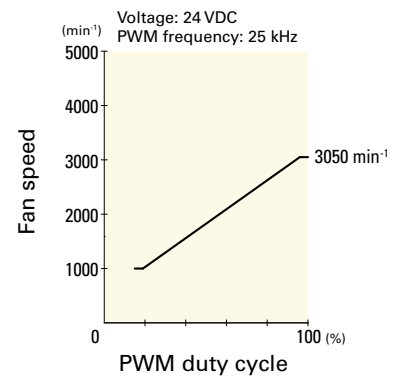
PWM duty cycle



Operating voltage range



PWM duty - Speed characteristics example

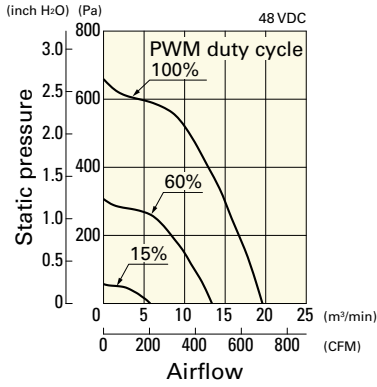




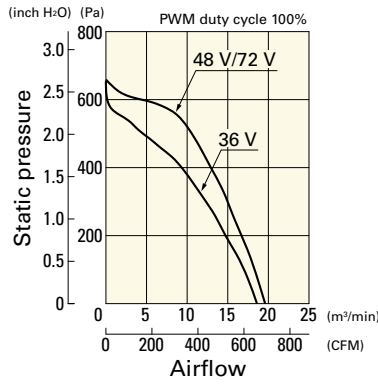
## Airflow - Static Pressure Characteristics / PWM Duty - Speed Characteristics Example

**9W2TP48P0S001** With pulse sensor with PWM control function

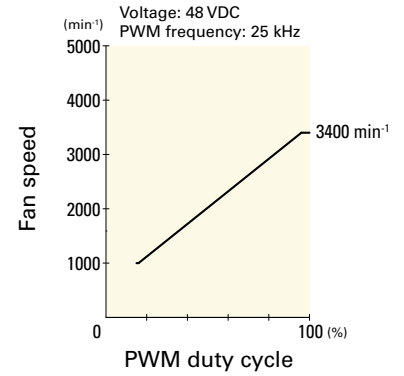
PWM duty cycle



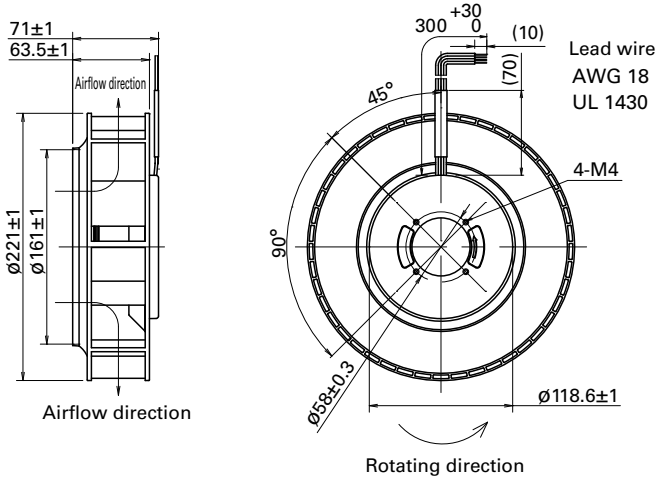
Operating voltage range



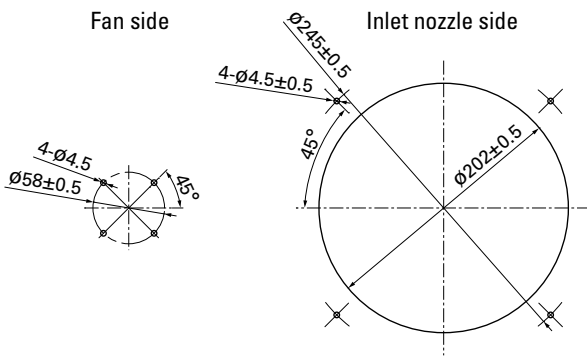
PWM duty - Speed characteristics example



## Dimensions (unit: mm)

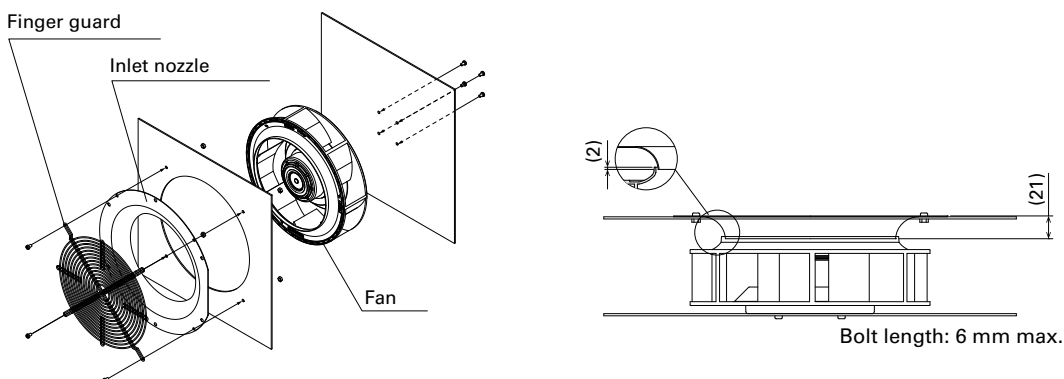


## Reference Dimensions of Mounting Holes and Vent Opening (unit: mm)



## Reference Diagram for Mounting

Bracket-mounted model of this fan is available. Contact us for details.



## Options

---

### Finger guards

page: p. 561

Model no.: 109-1138, 109-1138H

### Inlet nozzle

page: p. 563

Model no.: 109-1135, 109-1135H

DC

Splash Proof Centrifugal Fan Ø221 mm



# Ø225x99 mm

San Ace 225W 9W2TS type 

## General Specifications

- Material ..... Motor case: Aluminum (Black coating), Impeller: Plastic (Flammability: UL 94V-0)
- Expected life ..... See the table below. (L10 life: 90% survival rate for continuous operation in indoor free air at 60°C, rated voltage) Expected life at 40°C is for reference only.
- Motor protection function ..... Locked rotor burnout protection, Reverse polarity protection  
For details, please refer to p. 573.
- Dielectric strength ..... 50/60 Hz, 500 VAC, for 1 minute (between lead wire conductors and motor case)
- Insulation resistance ..... 10 MΩ or more with a 500 VDC megger (between lead wire conductors and motor case)
- Sound pressure level (SPL) ..... At 1 m away from the air inlet
- Storage temperature ..... -30 to +70°C (Non-condensing)
- Lead wire ..... ⊕Red ⊖Black  Sensor  Yellow  Control  Brown
- Mass ..... 1500 g
- Ingress protection ..... IP56

## Specifications When the optional inlet nozzle (109-1134H) is mounted.

The models listed below **have pulse sensors with PWM control function.**

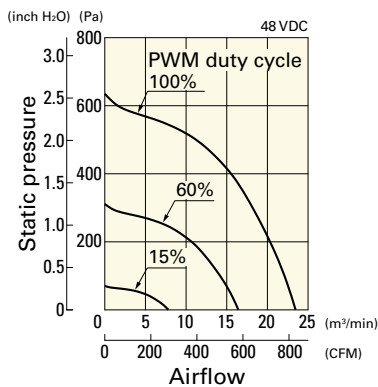
Model no.	Rated voltage [V]	Operating voltage range [V]	PWM duty cycle [%]	Rated current [A]	Rated input [W]	Rated speed [min <sup>-1</sup> ]	Max. airflow [m <sup>3</sup> /min] [CFM]	Max. static pressure [Pa] [inchH <sub>2</sub> O]	SPL [dB (A)]	Operating temperature [°C]	Expected life [h]
9W2TS48P0S001	48	36 to 72	100	2.45	117.6	3000	23.5 830	635 2.55	72.0	-25 to +70	40000/60°C (70000/40°C)
			15	0.24	11.5	1000	7.83 276	70.6 0.28	52.5		

\* PWM input frequency is 25 kHz; models without specifications at 0% PWM duty cycle have zero fan speed at 0%.  
Max input is 220 W at rated voltage.

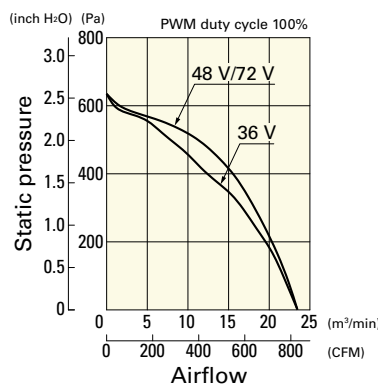
## Airflow - Static Pressure Characteristics / PWM Duty - Speed Characteristics Example

**9W2TS48P0S001** With pulse sensor with PWM control function

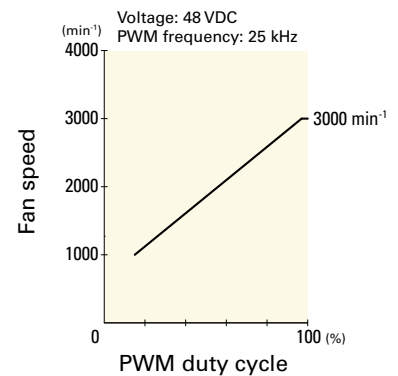
PWM duty cycle



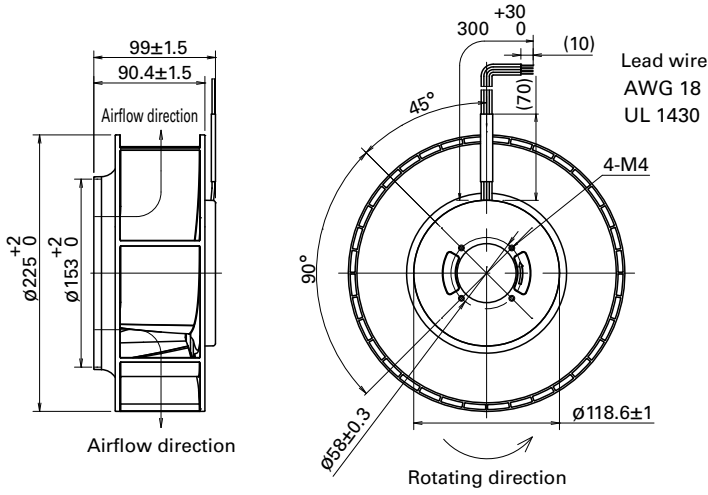
Operating voltage range



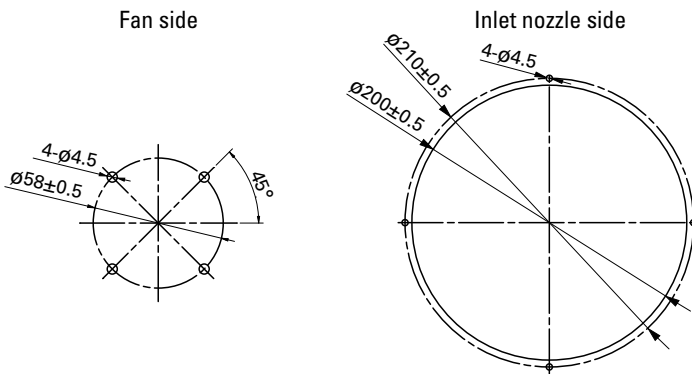
PWM duty - Speed characteristics example



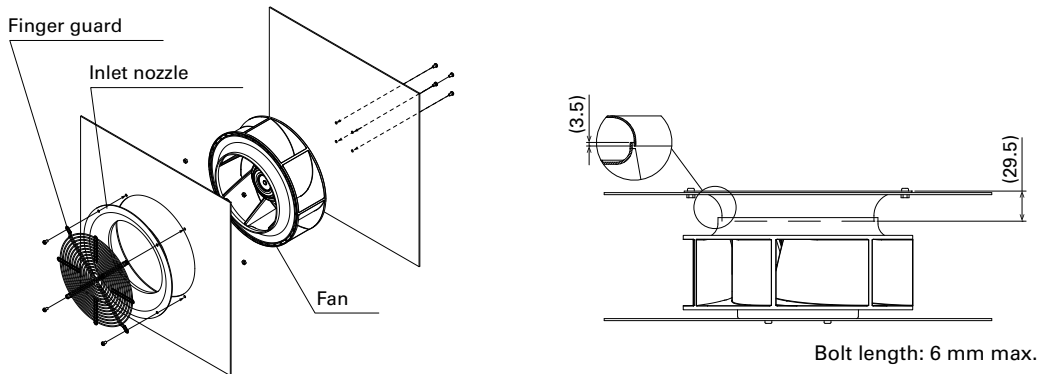
**Dimensions (unit: mm)**



**Reference Dimensions of Mounting Holes and Vent Opening (unit: mm)**



**Reference Diagram for Mounting** Bracket-mounted model of this fan is available. Contact us for details.



**Options**

**Finger guards**

page: p. 561

Model no.: 109-1137, 109-1137H

**Inlet nozzle**

page: p. 563

Model no.: 109-1134, 109-1134H

# Splash Proof Blower

This fan specializes in high static pressure and has IP68-rated water resistance. For more information on IP rating, refer to p. 579.

Related product: Splash Proof Fan p. 263, Splash Proof Centrifugal Fan p. 321, Blower p. 469

**Model Numbering System** Not every combination of the following codes or characters is available. Contact us for an available combination.

<b>9W1B</b>	<b>M</b>	<b>12</b>	<b>P</b>	<b>2</b>	<b>H</b>	<b>001</b>
Type name	Frame size	Voltage	PWM control function	Frame thickness	Speed code	Individual customer's spec (3 digits)

Type name	9W1B
Frame size (mm)	M 97
Voltage (V)	12 24 12 24
Frame thickness (mm)	2 33
Speed code	H M



# 97x33 mm

San Ace 97W 9W1BM type 

DC  
Splash Proof Blower 97 mm

## General Specifications

- Material ..... Frame: Aluminum (Black coating), Plastic (Flammability: UL 94V-0)  
Impeller: Plastic (Flammability: UL 94V-0)
- Expected life ..... See the table below. (L10 life: 90% survival rate for continuous operation in indoor free air at 60°C, rated voltage)  
Expected life at 40°C is for reference only.
- Motor protection function ..... Locked rotor burnout protection, Reverse polarity protection  
For details, please refer to p. 573.
- Dielectric strength ..... 50/60 Hz, 500 VAC, for 1 minute (between lead wire conductors and frame)
- Insulation resistance ..... 10 MΩ or more with a 500 VDC megger (between lead wire conductors and frame)
- Sound pressure level (SPL) ..... At 1 m away from the air inlet
- Storage temperature ..... -30 to +70°C (Non-condensing)
- Lead wire ..... ⊕Red ⊖Black (Sensor) Yellow (Control) Brown
- Mass ..... 240 g
- Ingress protection ..... IP68

## Specifications

The models listed below **have pulse sensors with PWM control function.**

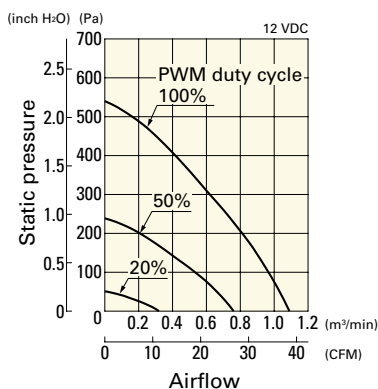
Model no.	Rated voltage [V]	Operating voltage range [V]	PWM duty cycle* [%]	Rated current [A]	Rated input [W]	Rated speed [min <sup>-1</sup> ]	Max. airflow [m <sup>3</sup> /min] [CFM]	Max. static pressure [Pa] [inchH <sub>2</sub> O]	SPL [dB (A)]	Operating temperature [°C]	Expected life [h]
9W1BM12P2H001	12	10.2 to 13.8	100	1.3	15.6	4800	1.09 38.5	540 2.17	58	-20 to +70	40000/60°C (70000/40°C)
			20	0.14	1.68	1500	0.32 11.3	51 0.2	30		
9W1BM12P2M001			100	0.9	10.8	4100	0.93 32.8	380 1.53	55		
			20	0.14	1.68	1500	0.32 11.3	51 0.2	30		
9W1BM24P2H001	24	20.4 to 27.6	100	0.65	15.6	4800	1.09 38.5	540 2.17	58		
			20	0.07	1.68	1500	0.32 11.3	51 0.2	30		
9W1BM24P2M001			100	0.45	10.8	4100	0.93 32.8	380 1.53	55		
			20	0.07	1.68	1500	0.32 11.3	51 0.2	30		

\* PWM input frequency is 25 kHz; models without specifications at 0% PWM duty cycle have zero fan speed at 0%.

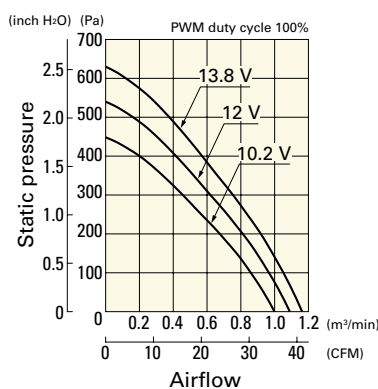
## Airflow - Static Pressure Characteristics / PWM Duty - Speed Characteristics Example

**9W1BM12P2H001** With pulse sensor with PWM control function

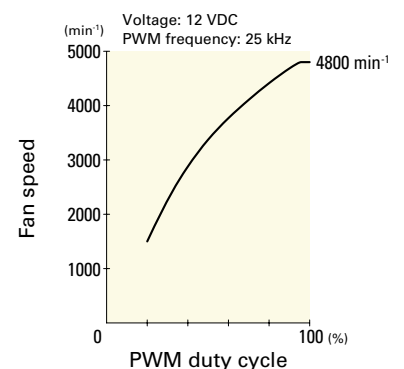
PWM duty cycle



Operating voltage range



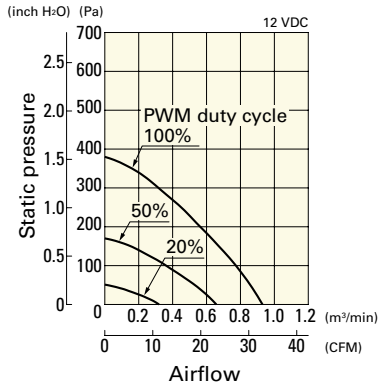
PWM duty - Speed characteristics example



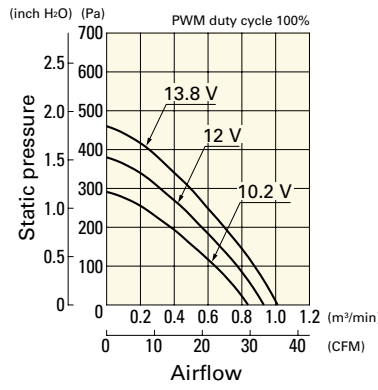
## Airflow - Static Pressure Characteristics / PWM Duty - Speed Characteristics Example

**9W1BM12P2M001** With pulse sensor with PWM control function

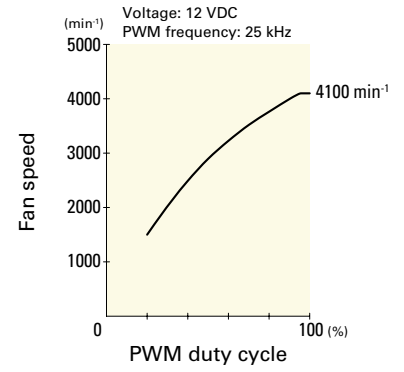
PWM duty cycle



Operating voltage range

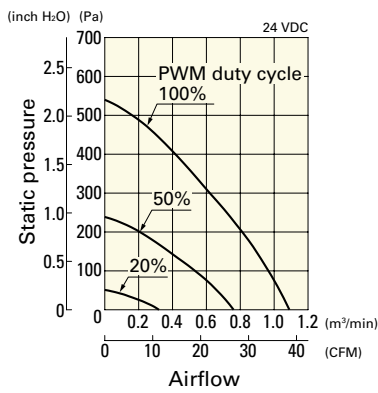


PWM duty - Speed characteristics example

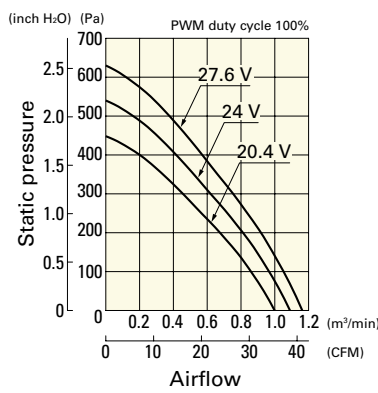


**9W1BM24P2H001** With pulse sensor with PWM control function

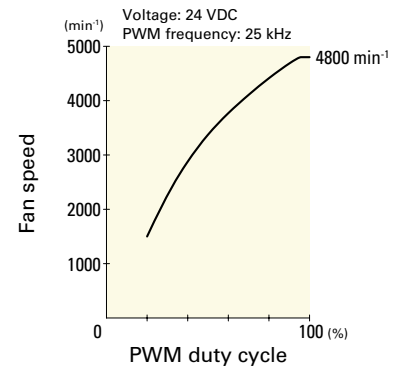
PWM duty cycle



Operating voltage range

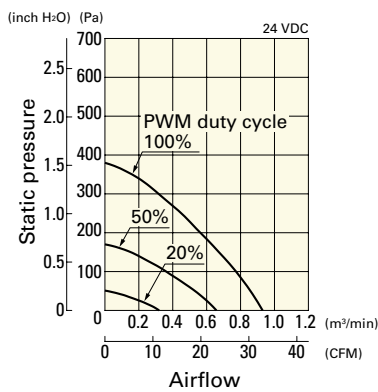


PWM duty - Speed characteristics example

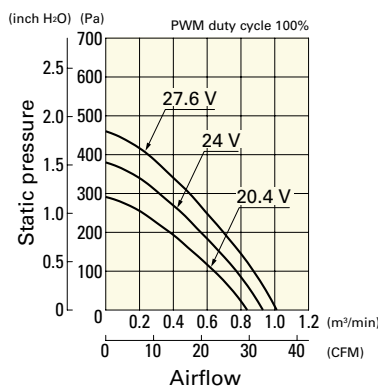


**9W1BM24P2M001** With pulse sensor with PWM control function

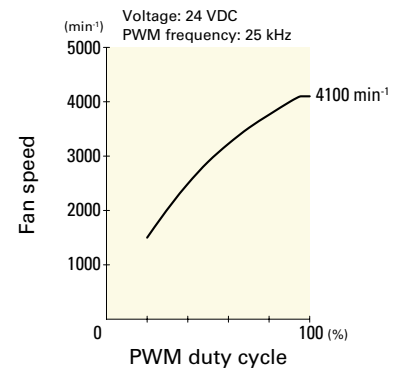
PWM duty cycle



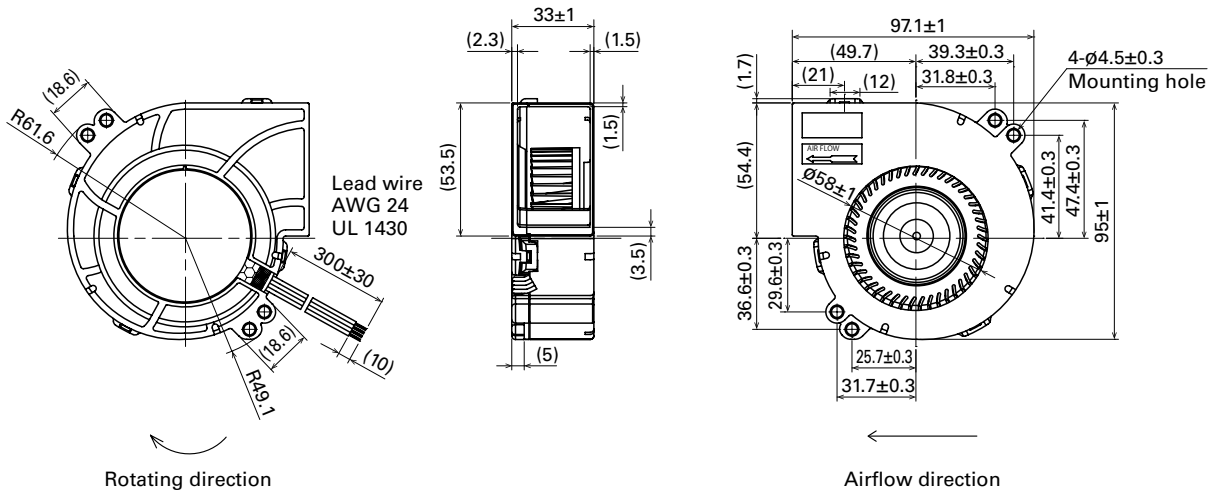
Operating voltage range



PWM duty - Speed characteristics example



■ Dimensions (unit: mm)



DC  
Splash Proof Blower 97 mm



# Oil Proof Fan

Cooling fan capable of operating in an oil-mist environment.

Related product: Splash Proof Fan p. 263, Splash Proof Centrifugal Fan p. 321, Splash Proof Blower p. 341

**Model Numbering System** Not every combination of the following codes or characters is available. Contact us for an available combination.

9WF	12	24	H	1	01	
Type name	Frame size	Voltage	Speed code	Frame thickness	Sensor specifications	Frame form

Type name	9WF 9WFA					
Frame size (mm)	04 40×40	06 60×60	08 80×80	09 92×92	12 120×120	
Voltage (V)	24					
Speed code	H					
Frame thickness (mm)	1 38	2 32	4 25	6 20	7 15	
Sensor specifications	01, 001 With a pulse sensor		02, 002 Without a sensor		D01, D001 With a lock sensor	
Frame form	Nil Ribbed frame					

# 40x40x15 mm

San Ace 40WF 9WF<sub>type</sub>   



DC  
Oil Proof Fan 40 mm sq.

## General Specifications

- Material ..... Frame: Plastic (Flammability: UL 94V-0), Impeller: Plastic (Flammability: UL 94V-0)
- Expected life ..... See the table below. (L10 life: 90% survival rate for continuous operation in free air at 60°C, rated voltage)  
Expected life at 40°C is for reference only.
- Motor protection function ..... Locked rotor burnout protection, Reverse polarity protection  
For details, please refer to p. 573.
- Dielectric strength ..... 50/60 Hz, 500 VAC, for 1 minute (between lead wire conductors and frame)
- Insulation resistance ..... 10 MΩ or more with a 500 VDC megger (between lead wire conductors and frame)
- Sound pressure level (SPL) ..... At 1 m away from the air inlet
- Storage temperature ..... -30 to +70°C (Non-condensing)
- Lead wire ..... ⊕Red ⊖Black Sensor Yellow
- Mass ..... 35 g

This fan can be used in environments with oil mist.\*

\* Environment where cutting oil creates oil mist. Conduct a product evaluation with the type of oil to be used.

## Specifications

The models listed below **have ribs and pulse sensors.**

Model no.	Rated voltage [V]	Operating voltage range [V]	Rated current [A]	Rated input [W]	Rated speed [min <sup>-1</sup> ]	Max. airflow [m <sup>3</sup> /min] [CFM]	Max. static pressure [Pa] [inchH <sub>2</sub> O]	SPL [dB (A)]	Operating temperature [°C]	Expected life [h]
<b>9WF0424H701</b>	24	20.4 to 27.6	0.085	2.04	11300	0.195 6.9	80 0.32	38	-20 to +70	40000/60°C (70000/40°C)

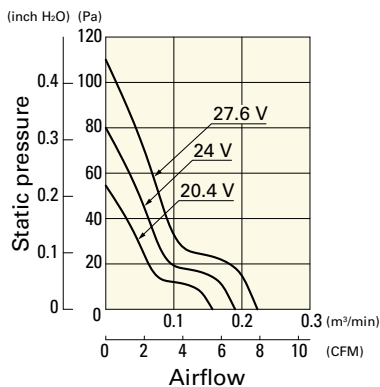
The following sensor and control options are available for selection.

Available for all models. Without sensor Lock sensor

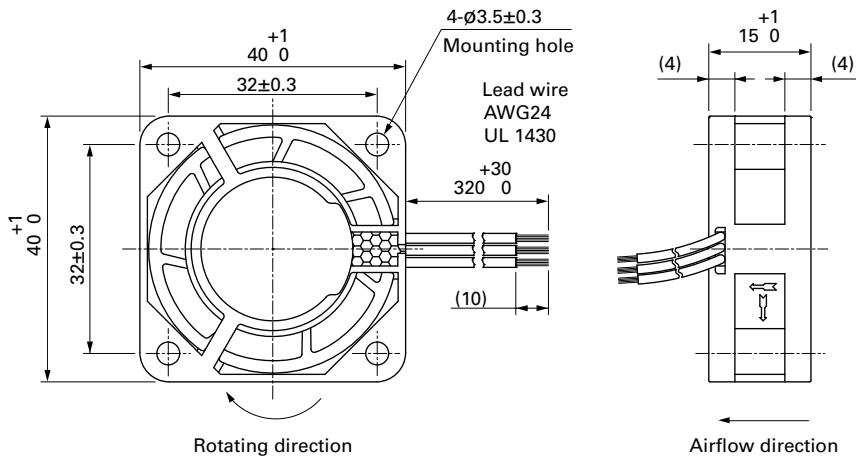
## Airflow - Static Pressure Characteristics

**9WF0424H701** With pulse sensor

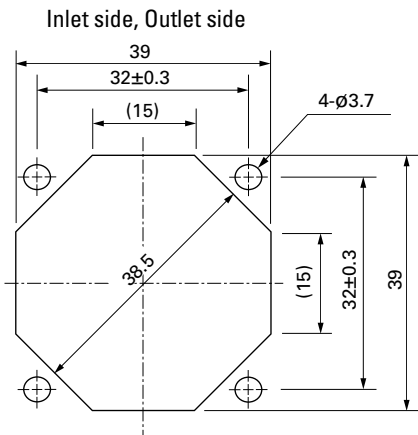
Operating voltage range



**Dimensions (unit: mm)**



**Reference Dimensions of Mounting Holes and Vent Opening (unit: mm)**



**Options**

Finger guards

page: p. 558

Model no.: 109-059, 109-059H



# 40x40x20 mm

San Ace 40WF 9WFA type US

DC  
Oil Proof Fan 40 mm sq.

## General Specifications

- Material ..... Frame: Plastic (Flammability: UL 94V-0), Impeller: Plastic (Flammability: UL 94V-0)
- Expected life ..... See the table below. (L10 life: 90% survival rate for continuous operation in free air at 60°C, rated voltage)  
Expected life at 40°C is for reference only.
- Motor protection function ..... Locked rotor burnout protection, Reverse polarity protection  
For details, please refer to p. 573.
- Dielectric strength ..... 50/60 Hz, 500 VAC, for 1 minute (between lead wire conductors and frame)
- Insulation resistance ..... 10 MΩ or more with a 500 VDC megger (between lead wire conductors and frame)
- Sound pressure level (SPL) ..... At 1 m away from the air inlet
- Storage temperature ..... -30 to +70°C (Non-condensing)
- Lead wire ..... ⊕Red ⊖Black (Sensor) Yellow
- Mass ..... 45 g

This fan can be used in environments with oil mist.\*

\* Environment where cutting oil creates oil mist. Conduct a product evaluation with the type of oil to be used.

## Specifications

The models listed below **have ribs and pulse sensors.**

Model no.	Rated voltage [V]	Operating voltage range [V]	Rated current [A]	Rated input [W]	Rated speed [min <sup>-1</sup> ]	Max. airflow [m <sup>3</sup> /min] [CFM]	Max. static pressure [Pa] [inchH <sub>2</sub> O]	SPL [dB (A)]	Operating temperature [°C]	Expected life [h]
9WFA0424G6001	24	20.4 to 27.6	0.11	2.6	17000	0.31 10.9	170 0.68	48	-20 to +70	40000/60°C (70000/40°C)

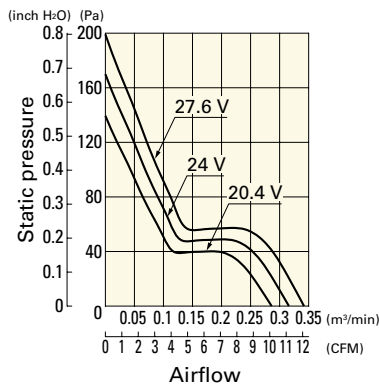
The following sensor and control options are available for selection.

Available for all models. Without sensor Lock sensor PWM control

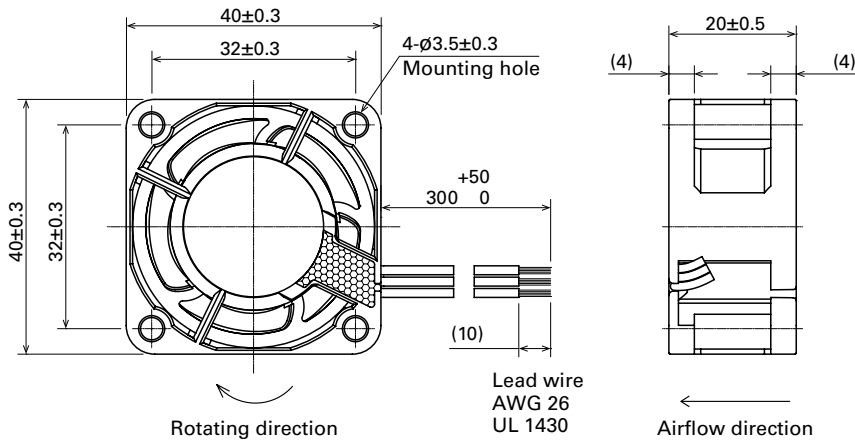
## Airflow - Static Pressure Characteristics

**9WFA0424G6001** With pulse sensor

Operating voltage range

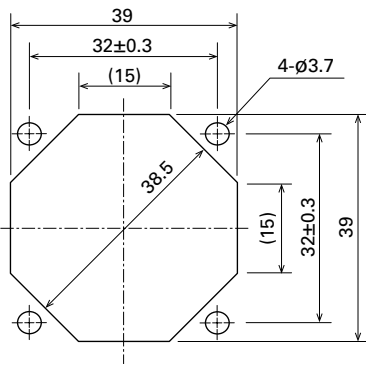


## Dimensions (unit: mm)



## Reference Dimensions of Mounting Holes and Vent Opening (unit: mm)

Inlet side, Outlet side



## Options

Finger guards

page: p. 558

Model no.: 109-059, 109-059H



# 40x40x20 mm

San Ace 40WF 9WF<sub>type</sub>

DC Oil Proof Fan 40 mm sq.

## General Specifications

- Material ..... Frame: Plastic (Flammability: UL 94V-0), Impeller: Plastic (Flammability: UL 94V-0)
- Expected life ..... See the table below. (L10 life: 90% survival rate for continuous operation in free air at 60°C, rated voltage) Expected life at 40°C is for reference only.
- Motor protection function ..... Locked rotor burnout protection, Reverse polarity protection For details, please refer to p. 573.
- Dielectric strength ..... 50/60 Hz, 500 VAC, for 1 minute (between lead wire conductors and frame)
- Insulation resistance ..... 10 MΩ or more with a 500 VDC megger (between lead wire conductors and frame)
- Sound pressure level (SPL) ..... At 1 m away from the air inlet
- Storage temperature ..... -30 to +70°C (Non-condensing)
- Lead wire ..... ⊕Red ⊖Black or Blue  Sensor Yellow
- Mass ..... 50 g

This fan can be used in environments with oil mist.\*

\* Environment where cutting oil creates oil mist. Conduct a product evaluation with the type of oil to be used.

## Specifications

The models listed below **have ribs and pulse sensors.**

Model no.	Rated voltage [V]	Operating voltage range [V]	Rated current [A]	Rated input [W]	Rated speed [min <sup>-1</sup> ]	Max. airflow [m <sup>3</sup> /min] [CFM]	Max. static pressure [Pa] [inchH <sub>2</sub> O]	SPL [dB (A)]	Operating temperature [°C]	Expected life [h]
9WF0424H601	24	20.4 to 27.6	0.11	2.64	13100	0.26 9.2	90 0.361	42	-20 to +70	40000/60°C (70000/40°C)
9WF0424F601			0.076	1.82	11000	0.22 7.77	62.8 0.252	37		

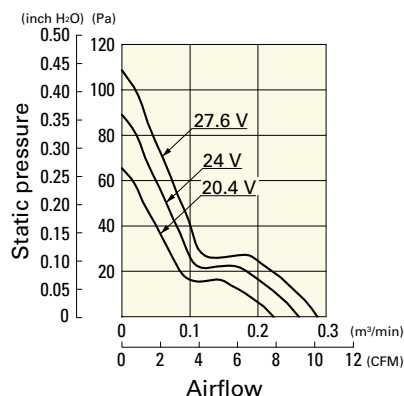
The following sensor and control options are available for selection.

Available for all models.  Without sensor  Lock sensor

## Airflow - Static Pressure Characteristics

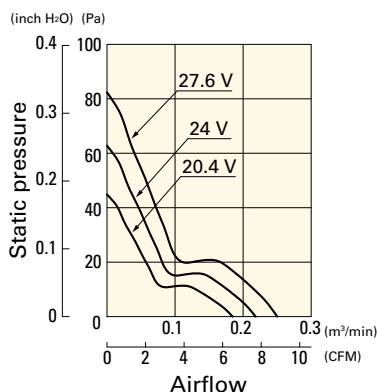
9WF0424H601 With pulse sensor

Operating voltage range

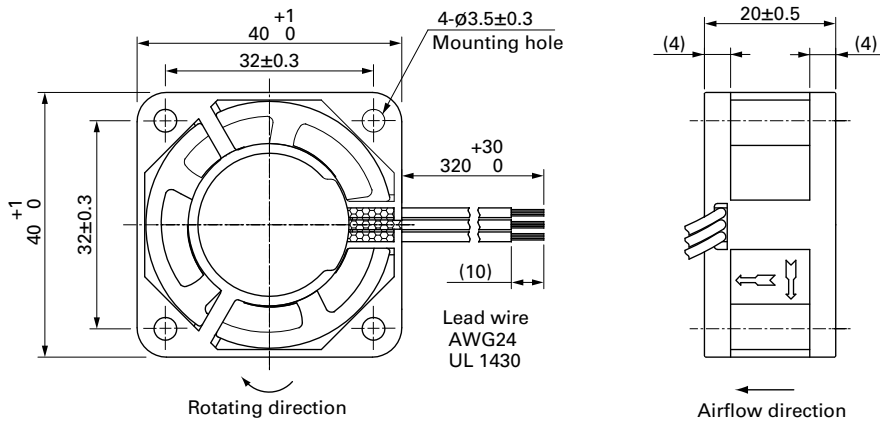


9WF0424F601 With pulse sensor

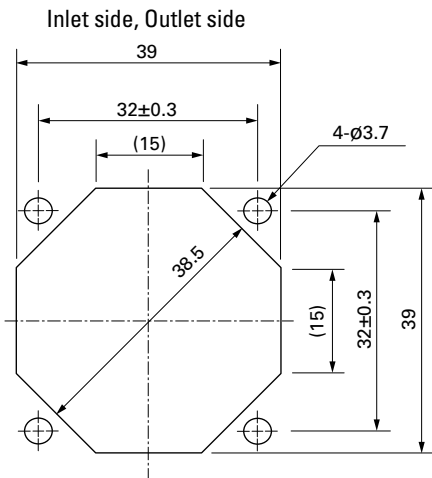
Operating voltage range



**Dimensions (unit: mm)**



**Reference Dimensions of Mounting Holes and Vent Opening (unit: mm)**



**Options**

Finger guards

page: p. 558

Model no.: 109-059, 109-059H



# 60×60×15 mm

San Ace 60WF 9WF type

Oil Proof Fan 60 mm sq. DC

## General Specifications

- Material ..... Frame: Plastic (Flammability: UL 94V-0), Impeller: Plastic (Flammability: UL 94V-0)
- Expected life ..... See the table below. (L10 life: 90% survival rate for continuous operation in free air at 60°C, rated voltage) Expected life at 40°C is for reference only.
- Motor protection function ..... Locked rotor burnout protection, Reverse polarity protection For details, please refer to p. 573.
- Dielectric strength ..... 50/60 Hz, 500 VAC, for 1 minute (between lead wire conductors and frame)
- Insulation resistance ..... 10 MΩ or more with a 500 VDC megger (between lead wire conductors and frame)
- Sound pressure level (SPL) ..... At 1 m away from the air inlet
- Storage temperature ..... -30 to +70°C (Non-condensing)
- Lead wire ..... ⊕Red ⊖Black  Sensor  Yellow
- Mass ..... 62 g

This fan can be used in environments with oil mist.\*

\* Environment where cutting oil creates oil mist. Conduct a product evaluation with the type of oil to be used.

## Specifications

The models listed below **have ribs and pulse sensors.**

Model no.	Rated voltage [V]	Operating voltage range [V]	Rated current [A]	Rated input [W]	Rated speed [min <sup>-1</sup> ]	Max. airflow [m <sup>3</sup> /min] [CFM]	Max. static pressure [Pa] [inchH <sub>2</sub> O]	SPL [dB (A)]	Operating temperature [°C]	Expected life [h]
9WF0624H701	24	20.4 to 27.6	0.12	2.88	6800	0.52 18.3	95 0.38	44	-20 to +70	40000/60°C (70000/40°C)

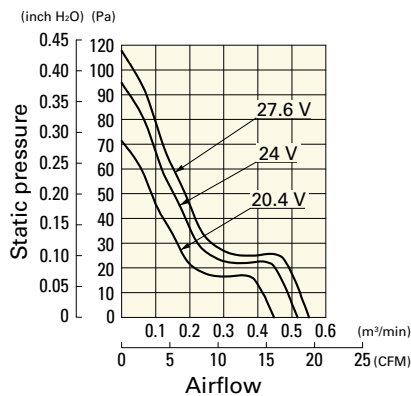
The following sensor and control options are available for selection.

Available for all models.  Without sensor  Lock sensor

## Airflow - Static Pressure Characteristics

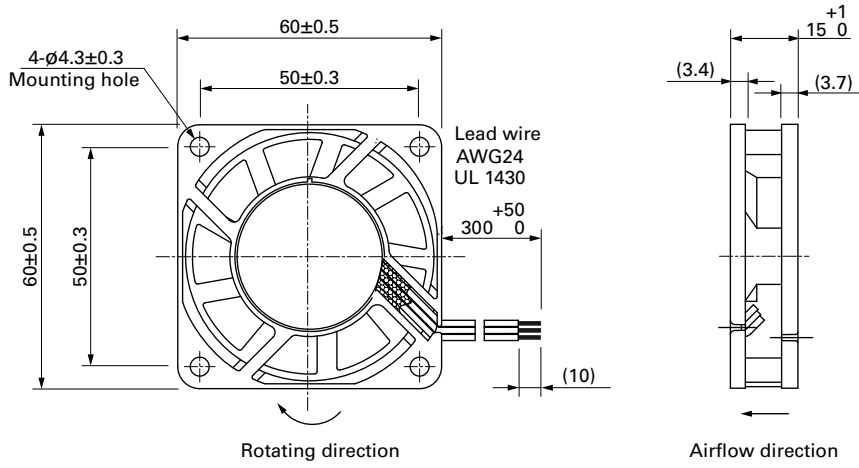
9WF0624H701 With pulse sensor

Operating voltage range

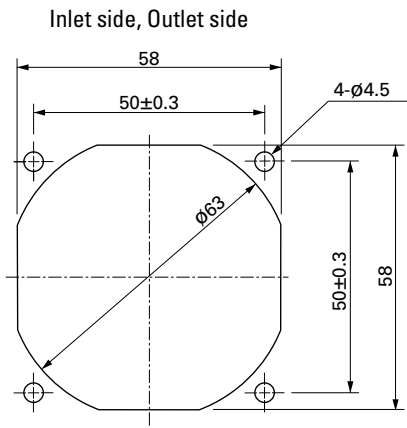




## Dimensions (unit: mm)



## Reference Dimensions of Mounting Holes and Vent Opening (unit: mm)



## Options

Finger guards

page: p. 558

Model no.: 109-139E, 109-139H



# 60×60×20 mm

San Ace 60WF 9WFA type US

DC Oil Proof Fan 60 mm sq.

## General Specifications

- Material ..... Frame: Plastic (Flammability: UL 94V-0), Impeller: Plastic (Flammability: UL 94V-0)
- Expected life ..... See the table below. (L10 life: 90% survival rate for continuous operation in free air at 60°C, rated voltage) Expected life at 40°C is for reference only.
- Motor protection function ..... Locked rotor burnout protection, Reverse polarity protection For details, please refer to p. 573.
- Dielectric strength ..... 50/60 Hz, 500 VAC, for 1 minute (between lead wire conductors and frame)
- Insulation resistance ..... 10 MΩ or more with a 500 VDC megger (between lead wire conductors and frame)
- Sound pressure level (SPL) ..... At 1 m away from the air inlet
- Storage temperature ..... -30 to +70°C (Non-condensing)
- Lead wire ..... ⊕Red ⊖Black (Sensor) Yellow
- Mass ..... 85 g

This fan can be used in environments with oil mist.\*

\* Environment where cutting oil creates oil mist. Conduct a product evaluation with the type of oil to be used.

## Specifications

The models listed below **have ribs and pulse sensors.**

Model no.	Rated voltage [V]	Operating voltage range [V]	Rated current [A]	Rated input [W]	Rated speed [min <sup>-1</sup> ]	Max. airflow [m <sup>3</sup> /min] [CFM]	Max. static pressure [Pa] [inchH <sub>2</sub> O]	SPL [dB (A)]	Operating temperature [°C]	Expected life [h]
9WFA0624G6001	24	15 to 27.6	0.16	3.8	7700	0.79 27.9	158 0.63	48	-20 to +70	40000/60°C (70000/40°C)

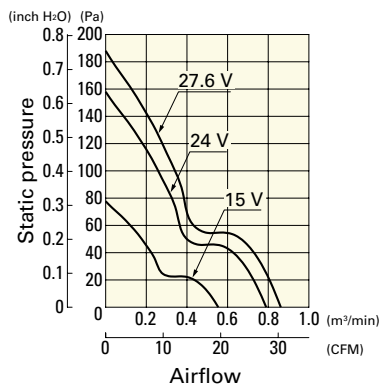
The following sensor and control options are available for selection.

Available for all models. Without sensor Lock sensor

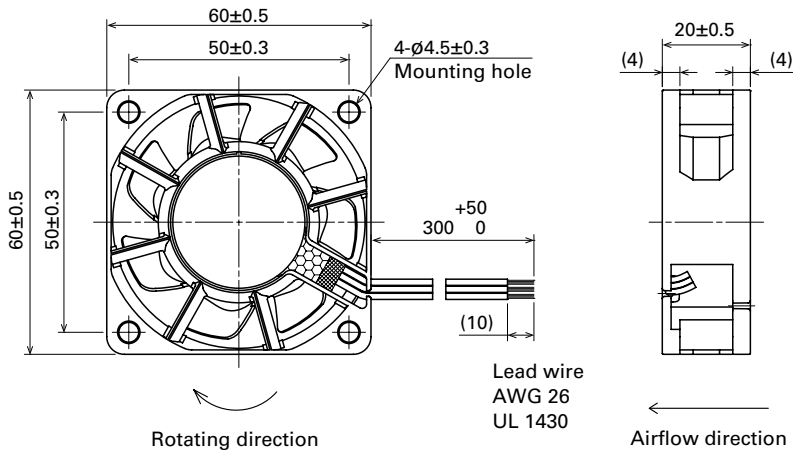
## Airflow - Static Pressure Characteristics

**9WFA0624G6001** With pulse sensor

Operating voltage range

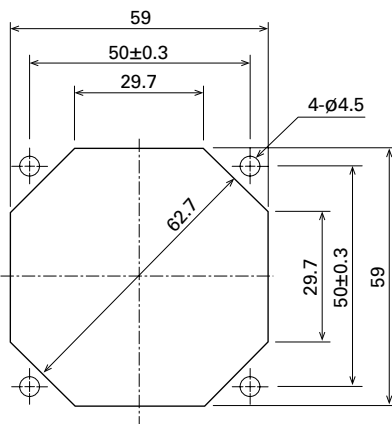


## Dimensions (unit: mm)



## Reference Dimensions of Mounting Holes and Vent Opening (unit: mm)

Inlet side, Outlet side



## Options

Finger guards

page: p. 558

Model no.: 109-139E, 109-139H



# 60×60×20 mm

San Ace 60WF 9WF<sub>type</sub>

DC  
Oil Proof Fan 60 mm sq.

## General Specifications

- Material ..... Frame: Plastic (Flammability: UL 94V-0), Impeller: Plastic (Flammability: UL 94V-0)
- Expected life ..... See the table below. (L10 life: 90% survival rate for continuous operation in free air at 60°C, rated voltage)  
Expected life at 40°C is for reference only.
- Motor protection function ..... Locked rotor burnout protection, Reverse polarity protection  
For details, please refer to p. 573.
- Dielectric strength ..... 50/60 Hz, 500 VAC, for 1 minute (between lead wire conductors and frame)
- Insulation resistance ..... 10 MΩ or more with a 500 VDC megger (between lead wire conductors and frame)
- Sound pressure level (SPL) ..... At 1 m away from the air inlet
- Storage temperature ..... -30 to +70°C (Non-condensing)
- Lead wire ..... ⊕Red ⊖Black Sensor Yellow
- Mass ..... 80 g

This fan can be used in environments with oil mist.\*

\* Environment where cutting oil creates oil mist. Conduct a product evaluation with the type of oil to be used.

## Specifications

The models listed below **have ribs and pulse sensors**.

Model no.	Rated voltage [V]	Operating voltage range [V]	Rated current [A]	Rated input [W]	Rated speed [min <sup>-1</sup> ]	Max. airflow		Max. static pressure		SPL [dB (A)]	Operating temperature [°C]	Expected life [h]
						[m <sup>3</sup> /min]	[CFM]	[Pa]	[inchH <sub>2</sub> O]			
<b>9WF0624H601</b>	24	12 to 27.6	0.15	3.6	6600	0.69	24.3	114	0.45	42	-20 to +70	40000/60°C (70000/40°C)

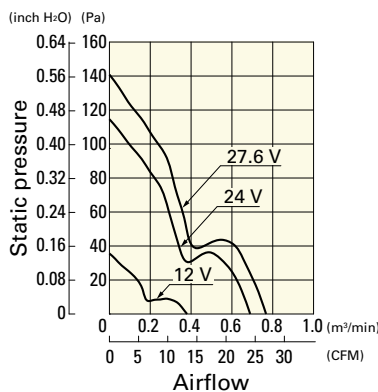
The following sensor and control options are available for selection.

Available for all models. **Lock sensor**

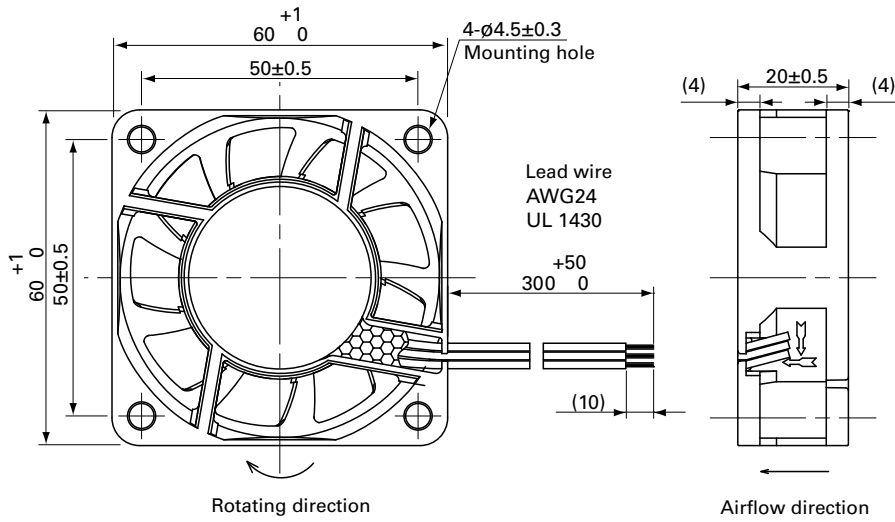
## Airflow - Static Pressure Characteristics

**9WF0624H601** With pulse sensor

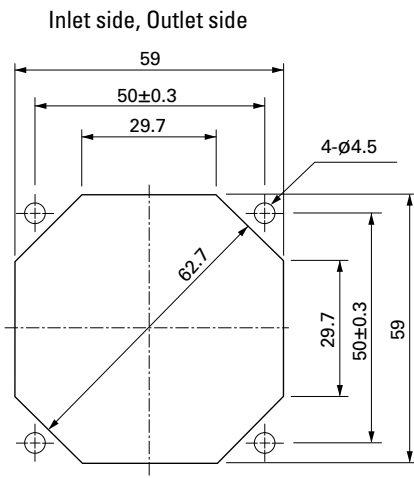
Operating voltage range



## Dimensions (unit: mm)



## Reference Dimensions of Mounting Holes and Vent Opening (unit: mm)



## Options

### Finger guards

page: p. 558

Model no.: 109-139E, 109-139H



# 60×60×25 mm

San Ace 60WF 9WF<sub>type</sub>   

Oil Proof Fan 60 mm sq. DC

## General Specifications

- Material ..... Frame: Plastic (Flammability: UL 94V-0), Impeller: Plastic (Flammability: UL 94V-0)
- Expected life ..... See the table below. (L10 life: 90% survival rate for continuous operation in free air at 60°C, rated voltage) Expected life at 40°C is for reference only.
- Motor protection function ..... Locked rotor burnout protection, Reverse polarity protection For details, please refer to p. 573.
- Dielectric strength ..... 50/60 Hz, 500 VAC, for 1 minute (between lead wire conductors and frame)
- Insulation resistance ..... 10 MΩ or more with a 500 VDC megger (between lead wire conductors and frame)
- Sound pressure level (SPL) ..... At 1 m away from the air inlet
- Storage temperature ..... -30 to +70°C (Non-condensing)
- Lead wire ..... ⊕Red ⊖Black  Sensor  Yellow
- Mass ..... 110 g

This fan can be used in environments with oil mist.\*

\* Environment where cutting oil creates oil mist. Conduct a product evaluation with the type of oil to be used.

## Specifications

The models listed below **have ribs and pulse sensors.**

Model no.	Rated voltage [V]	Operating voltage range [V]	Rated current [A]	Rated input [W]	Rated speed [min <sup>-1</sup> ]	Max. airflow [m <sup>3</sup> /min] [CFM]	Max. static pressure [Pa] [inchH <sub>2</sub> O]	SPL [dB (A)]	Operating temperature [°C]	Expected life [h]
<b>9WF0624H401</b>	24	20.4 to 27.6	0.15	3.6	6500	0.67 23.6	97 0.38	41	-20 to +70	40000/60°C (70000/40°C)

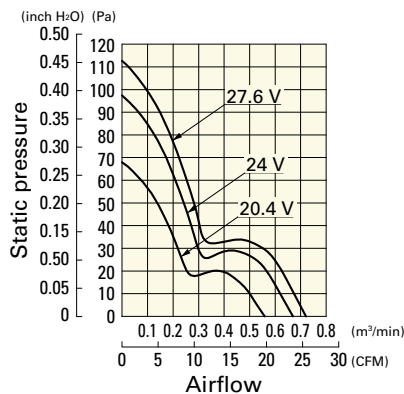
The following sensor and control options are available for selection.

Available for all models.  Without sensor  Lock sensor

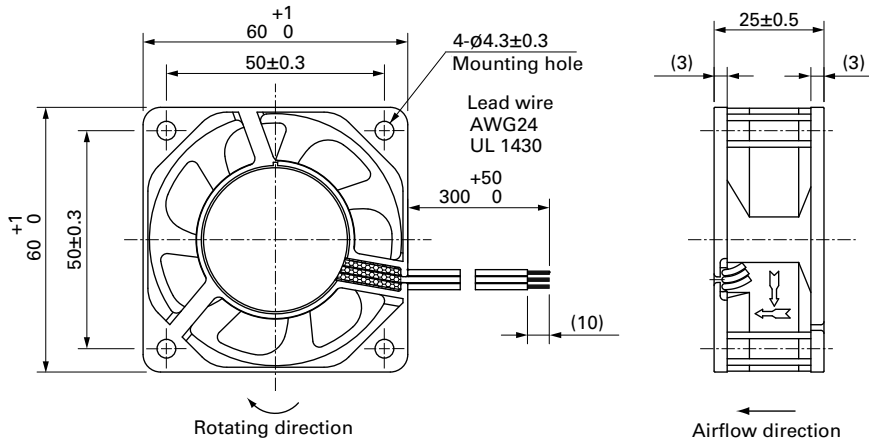
## Airflow - Static Pressure Characteristics

**9WF0624H401** With pulse sensor

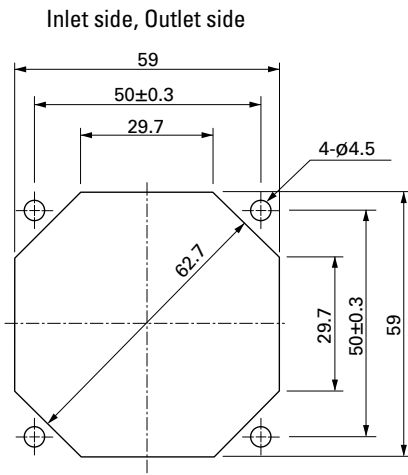
Operating voltage range



**Dimensions (unit: mm)**



**Reference Dimensions of Mounting Holes and Vent Opening (unit: mm)**



**Options**

Finger guards

page: p. 558

Model no.: 109-139E, 109-139H



# 80×80×20 mm

San Ace 80WF 9WFA type

Oil Proof Fan 80 mm sq. DC

## General Specifications

- Material ..... Frame: Plastic (Flammability: UL 94V-0), Impeller: Plastic (Flammability: UL 94V-0)
- Expected life ..... See the table below. (L10 life: 90% survival rate for continuous operation in free air at 60°C, rated voltage) Expected life at 40°C is for reference only.
- Motor protection function ..... Locked rotor burnout protection, Reverse polarity protection For details, please refer to p. 573.
- Dielectric strength ..... 50/60 Hz, 500 VAC, for 1 minute (between lead wire conductors and frame)
- Insulation resistance ..... 10 MΩ or more with a 500 VDC megger (between lead wire conductors and frame)
- Sound pressure level (SPL) ..... At 1 m away from the air inlet
- Storage temperature ..... -30 to +70°C (Non-condensing)
- Lead wire ..... ⊕Red ⊖Black Sensor Yellow
- Mass ..... 105 g

This fan can be used in environments with oil mist.\*

\* Environment where cutting oil creates oil mist. Conduct a product evaluation with the type of oil to be used.

## Specifications

The models listed below **have ribs and pulse sensors.**

Model no.	Rated voltage [V]	Operating voltage range [V]	Rated current [A]	Rated input [W]	Rated speed [min <sup>-1</sup> ]	Max. airflow [m <sup>3</sup> /min] [CFM]	Max. static pressure [Pa] [inchH <sub>2</sub> O]	SPL [dB (A)]	Operating temperature [°C]	Expected life [h]
9WFA0824G6001	24	15 to 27.6	0.15	3.6	6000	1.44 50.8	105 0.42	48	-20 to +70	40000/60°C (70000/40°C)

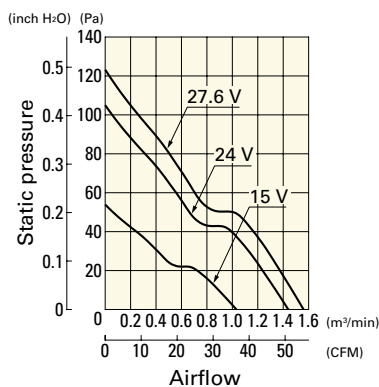
The following sensor and control options are available for selection.

Available for all models. Without sensor Lock sensor PWM control

## Airflow - Static Pressure Characteristics

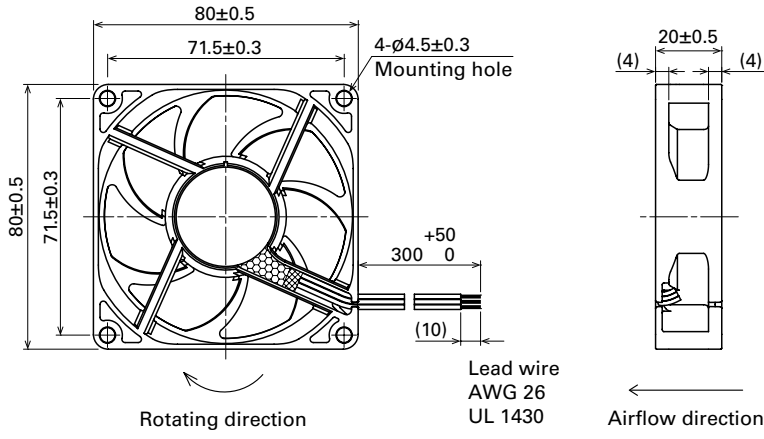
**9WFA0824G6001** With pulse sensor

Operating voltage range

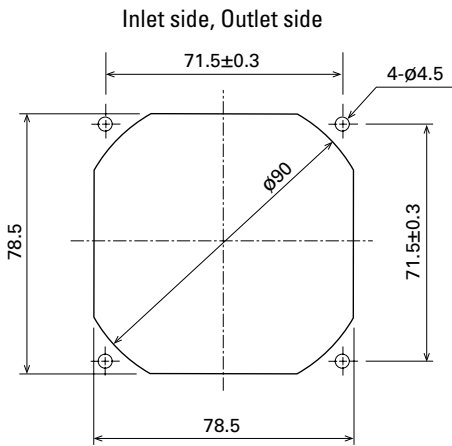




**Dimensions (unit: mm)**



**Reference Dimensions of Mounting Holes and Vent Opening (unit: mm)**



**Options**

Finger guards

page: p. 558

Model no.: 109-049E, 109-049H, 109-049C



# 80×80×25 mm

San Ace 80WF 9WF<sub>type</sub>

DC Oil Proof Fan 80 mm sq.

## General Specifications

- Material ..... Frame: Plastic (Flammability: UL 94V-0), Impeller: Plastic (Flammability: UL 94V-0)
- Expected life ..... See the table below. (L10 life: 90% survival rate for continuous operation in free air at 60°C, rated voltage)  
Expected life at 40°C is for reference only.
- Motor protection function ..... Locked rotor burnout protection, Reverse polarity protection  
For details, please refer to p. 573.
- Dielectric strength ..... 50/60 Hz, 500 VAC, for 1 minute (between lead wire conductors and frame)
- Insulation resistance ..... 10 MΩ or more with a 500 VDC megger (between lead wire conductors and frame)
- Sound pressure level (SPL) ..... At 1 m away from the air inlet
- Storage temperature ..... -30 to +70°C (Non-condensing)
- Lead wire ..... ⊕Red ⊖Black Sensor Yellow
- Mass ..... 130 g

This fan can be used in environments with oil mist.\*

\* Environment where cutting oil creates oil mist. Conduct a product evaluation with the type of oil to be used.

## Specifications

The models listed below **have ribs and pulse sensors.**

Model no.	Rated voltage [V]	Operating voltage range [V]	Rated current [A]	Rated input [W]	Rated speed [min <sup>-1</sup> ]	Max. airflow [m <sup>3</sup> /min] [CFM]	Max. static pressure [Pa] [inchH <sub>2</sub> O]	SPL [dB (A)]	Operating temperature [°C]	Expected life [h]
<b>9WF0824S401</b>	24	20.4 to 27.6	0.16	3.84	4000	1.2 42.4	58 0.23	38	-20 to +70	40000/60°C (70000/40°C)

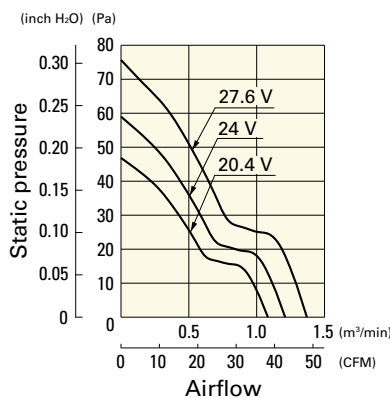
The following sensor and control options are available for selection.

Available for all models. Without sensor Lock sensor

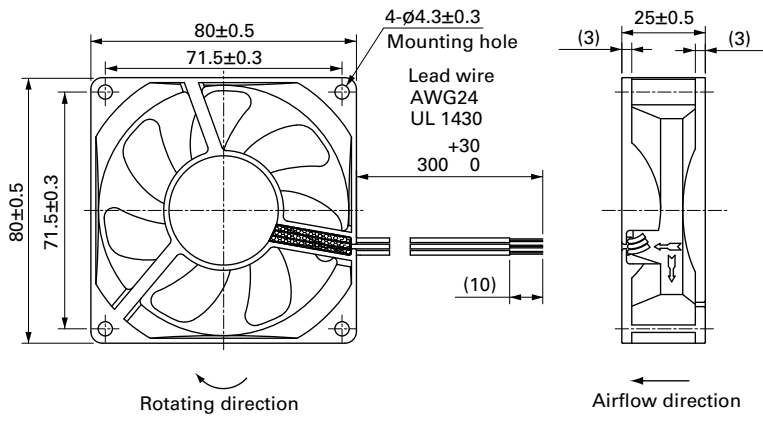
## Airflow - Static Pressure Characteristics

**9WF0824S401** With pulse sensor

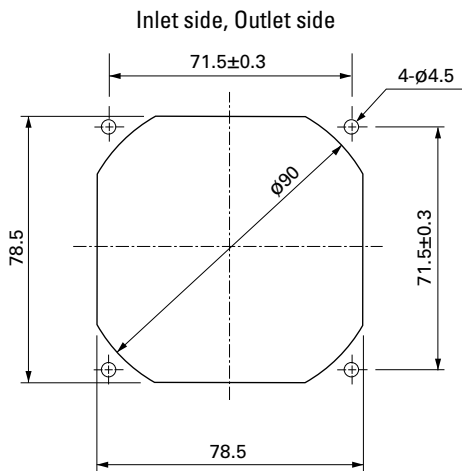
Operating voltage range



## Dimensions (unit: mm)



## Reference Dimensions of Mounting Holes and Vent Opening (unit: mm)



## Options




Finger guards

page: p. 558

Model no.: 109-049E, 109-049H, 109-049C



# 92x92x25 mm

San Ace 92WF 9WF<sub>type</sub>   

DC Oil Proof Fan 92 mm sq.

## General Specifications

- Material ..... Frame: Plastic (Flammability: UL 94V-0), Impeller: Plastic (Flammability: UL 94V-0)
- Expected life ..... See the table below. (L10 life: 90% survival rate for continuous operation in free air at 60°C, rated voltage)  
Expected life at 40°C is for reference only.
- Motor protection function ..... Locked rotor burnout protection, Reverse polarity protection  
For details, please refer to p. 573.
- Dielectric strength ..... 50/60 Hz, 500 VAC, for 1 minute (between lead wire conductors and frame)
- Insulation resistance ..... 10 MΩ or more with a 500 VDC megger (between lead wire conductors and frame)
- Sound pressure level (SPL) ..... At 1 m away from the air inlet
- Storage temperature ..... -30 to +70°C (Non-condensing)
- Lead wire ..... ⊕Red ⊖Black  Sensor  Yellow
- Mass ..... 120 g

This fan can be used in environments with oil mist.\*

\* Environment where cutting oil creates oil mist. Conduct a product evaluation with the type of oil to be used.

## Specifications

The models listed below **have ribs and pulse sensors**. For models without ribs, append "1" to the end of model numbers.

Model no.	Rated voltage [V]	Operating voltage range [V]	Rated current [A]	Rated input [W]	Rated speed [min <sup>-1</sup> ]	Max. airflow [m <sup>3</sup> /min] [CFM]	Max. static pressure [Pa] [inchH <sub>2</sub> O]	SPL [dB (A)]	Operating temperature [°C]	Expected life [h]
<b>9WF0924H401</b>	24	20.4 to 27.6	0.13	3.12	3900	1.45 51.2	66 0.26	42.5	-20 to +70	40000/60°C (70000/40°C)

The following sensor and control options are available for selection.

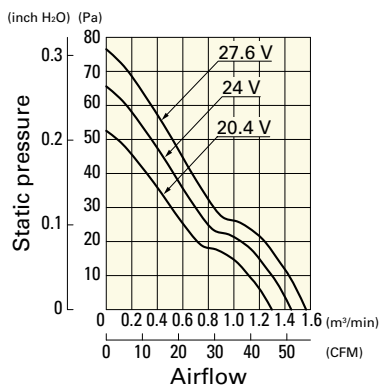
Available for all models. **Lock sensor**

Differs according to the model. Refer to the table on p. 611. **Without sensor**

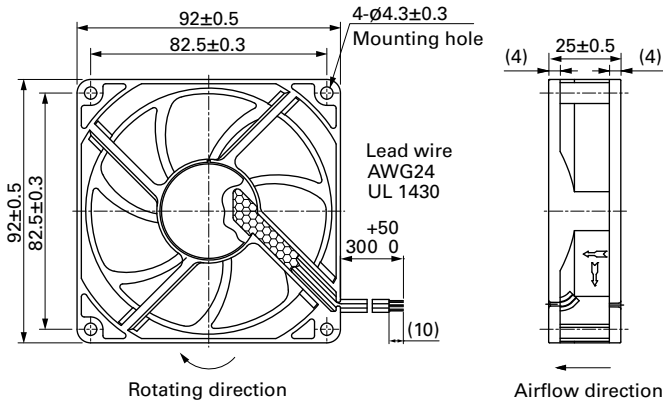
## Airflow - Static Pressure Characteristics

**9WF0924H401** With pulse sensor

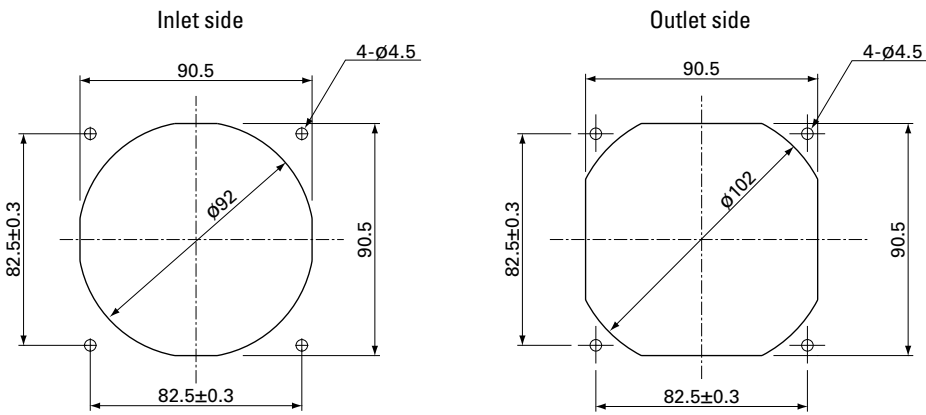
Operating voltage range



**Dimensions (unit: mm)**



**Reference Dimensions of Mounting Holes and Vent Opening (unit: mm)**



**Options**

Finger guards

page: p. 558

Model no.: 109-099E, 109-099H, 109-099C



# 92x92x32 mm

San Ace 92WF 9WFA type US

DC Oil Proof Fan 92 mm sq.

## General Specifications

- Material ..... Frame: Plastic (Flammability: UL 94V-0), Impeller: Plastic (Flammability: UL 94V-0)
- Expected life ..... See the table below. (L10 life: 90% survival rate for continuous operation in free air at 60°C, rated voltage) Expected life at 40°C is for reference only.
- Motor protection function ..... Locked rotor burnout protection, Reverse polarity protection For details, please refer to p. 573.
- Dielectric strength ..... 50/60 Hz, 500 VAC, for 1 minute (between lead wire conductors and frame)
- Insulation resistance ..... 10 MΩ or more with a 500 VDC megger (between lead wire conductors and frame)
- Sound pressure level (SPL) ..... At 1 m away from the air inlet
- Storage temperature ..... -30 to +70°C (Non-condensing)
- Lead wire ..... ⊕Red ⊖Black  Sensor  Yellow
- Mass ..... 205 g

This fan can be used in environments with oil mist.\*

\* Environment where cutting oil creates oil mist. Conduct a product evaluation with the type of oil to be used.

## Specifications

The models listed below **have ribs and pulse sensors.**

Model no.	Rated voltage [V]	Operating voltage range [V]	Rated current [A]	Rated input [W]	Rated speed [min <sup>-1</sup> ]	Max. airflow [m <sup>3</sup> /min] [CFM]	Max. static pressure [Pa] [inchH <sub>2</sub> O]	SPL [dB (A)]	Operating temperature [°C]	Expected life [h]
9WFA0924G2001	24	12 to 27.6	0.58	13.9	9600	3.1 109.5	380 1.53	63	-20 to +70	40000/60°C (70000/40°C)

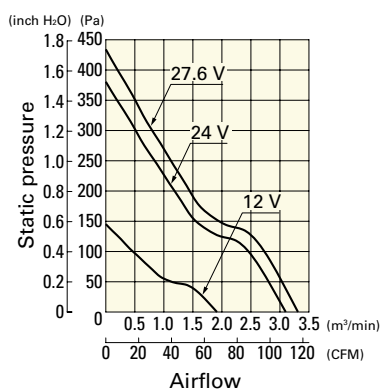
The following sensor and control options are available for selection.

Available for all models. Without sensor Lock sensor PWM control

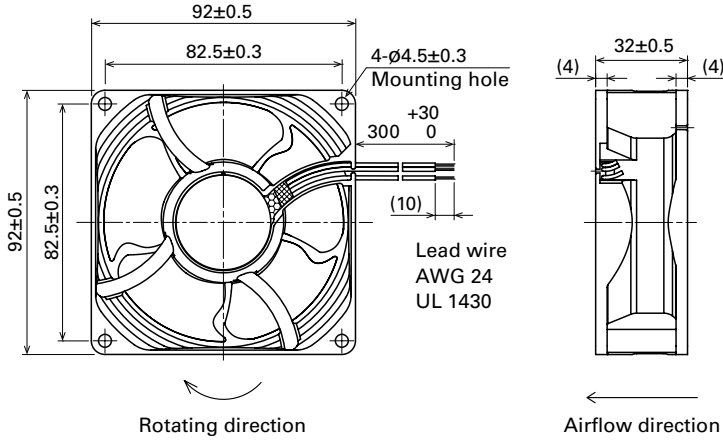
## Airflow - Static Pressure Characteristics

**9WFA0924G2001** With pulse sensor

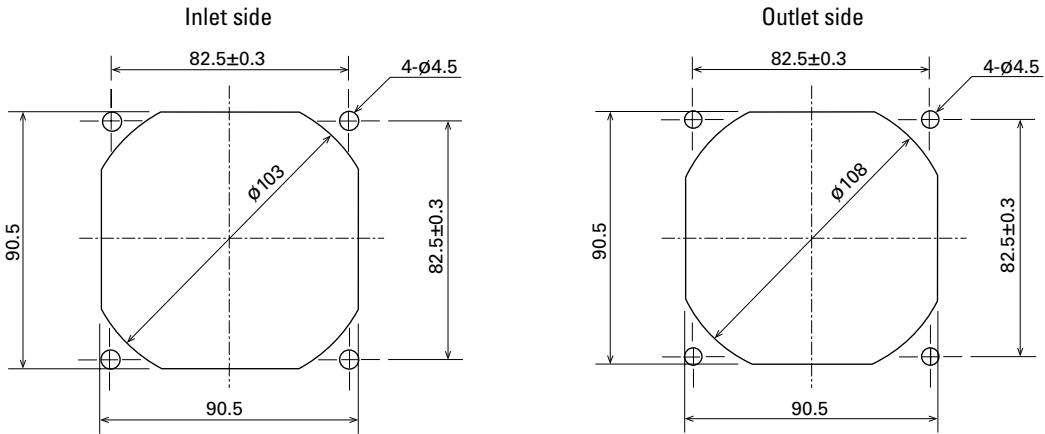
Operating voltage range



**Dimensions (unit: mm)**



**Reference Dimensions of Mounting Holes and Vent Opening (unit: mm)**



**Options**

Finger guards

page: p. 558

Model no.: 109-099E, 109-099H, 109-099C



# 92x92x32 mm

San Ace 92WF 9WF<sub>type</sub>

DC Oil Proof Fan 92 mm sq.

## General Specifications

- Material ..... Frame: Plastic (Flammability: UL 94V-0), Impeller: Plastic (Flammability: UL 94V-0)
- Expected life ..... See the table below. (L10 life: 90% survival rate for continuous operation in free air at 60°C, rated voltage) Expected life at 40°C is for reference only.
- Motor protection function ..... Locked rotor burnout protection, Reverse polarity protection For details, please refer to p. 573.
- Dielectric strength ..... 50/60 Hz, 500 VAC, for 1 minute (between lead wire conductors and frame)
- Insulation resistance ..... 10 MΩ or more with a 500 VDC megger (between lead wire conductors and frame)
- Sound pressure level (SPL) ..... At 1 m away from the air inlet
- Storage temperature ..... -30 to +70°C (Non-condensing)
- Lead wire ..... ⊕Red ⊖Black  Sensor  Yellow
- Mass ..... 185 g

This fan can be used in environments with oil mist.\*

\* Environment where cutting oil creates oil mist. Conduct a product evaluation with the type of oil to be used.

## Specifications

The models listed below **have ribs and pulse sensors**. For models without ribs, append "1" to the end of model numbers.

Model no.	Rated voltage [V]	Operating voltage range [V]	Rated current [A]	Rated input [W]	Rated speed [min <sup>-1</sup> ]	Max. airflow [m <sup>3</sup> /min] [CFM]	Max. static pressure [Pa] [inchH <sub>2</sub> O]	SPL [dB (A)]	Operating temperature [°C]	Expected life [h]
9WF0924S201	24	20.4 to 27.6	0.5	12	7300	2.8 98.9	255 1.02	58	-20 to +70	40000/60°C (70000/40°C)
9WF0924H201			0.35	8.4	6500	2.45 86.5	200 0.8	56		

The following sensor and control options are available for selection.

Differs according to the model. Refer to the table on p. 611.  Without sensor  Lock sensor

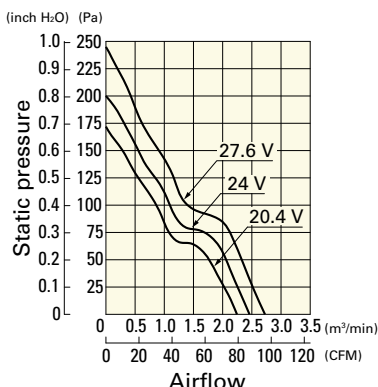
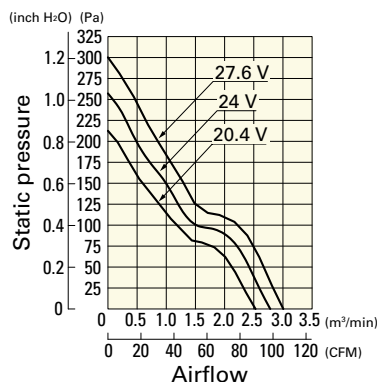
## Airflow - Static Pressure Characteristics

9WF0924S201 With pulse sensor

9WF0924H201 With pulse sensor

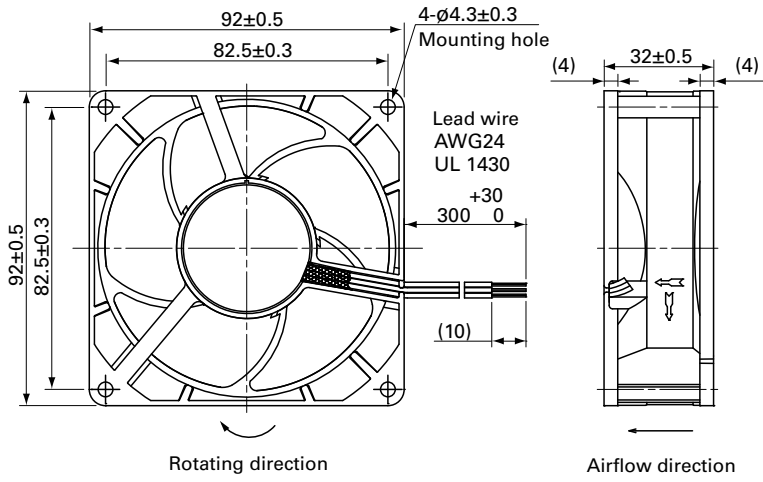
Operating voltage range

Operating voltage range

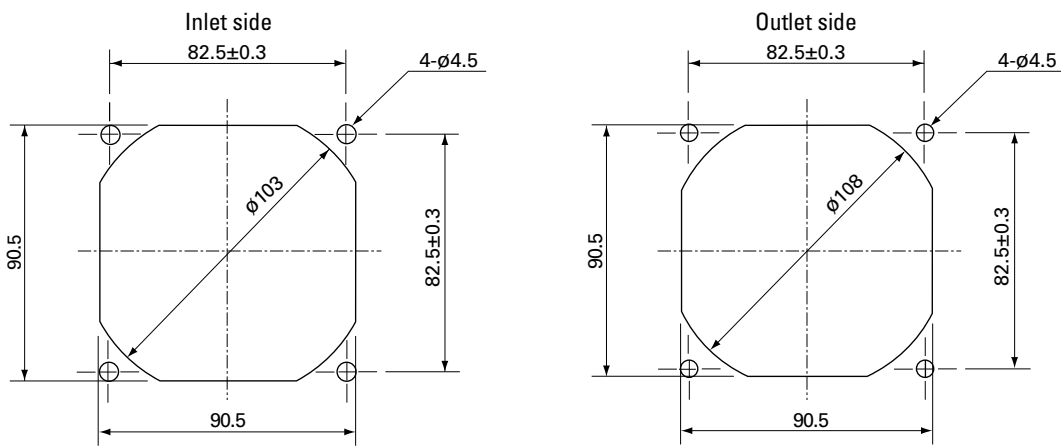




**Dimensions (unit: mm)**



**Reference Dimensions of Mounting Holes and Vent Opening (unit: mm)**



**Options**




Finger guards

page: p. 558

Model no.: 109-099E, 109-099H, 109-099C



# 120×120×38 mm

San Ace 120WF 9WF type   

Oil Proof Fan 120 mm sq. DC

## General Specifications

- Material ..... Frame: Plastic (Flammability: UL 94V-0), Impeller: Plastic (Flammability: UL 94V-0)
- Expected life ..... See the table below. (L10 life: 90% survival rate for continuous operation in free air at 60°C, rated voltage)  
Expected life at 40°C is for reference only.
- Motor protection function ..... Locked rotor burnout protection, Reverse polarity protection  
For details, please refer to p. 573.
- Dielectric strength ..... 50/60 Hz, 500 VAC, for 1 minute (between lead wire conductors and frame)
- Insulation resistance ..... 10 MΩ or more with a 500 VDC megger (between lead wire conductors and frame)
- Sound pressure level (SPL) ..... At 1 m away from the air inlet
- Storage temperature ..... -30 to +70°C (Non-condensing)
- Lead wire ..... ⊕Red ⊖Black Sensor Yellow
- Mass ..... 355 g

This fan can be used in environments with oil mist.\*

\* Environment where cutting oil creates oil mist. Conduct a product evaluation with the type of oil to be used.

## Specifications

The models listed below **have ribs and pulse sensors.**

Model no.	Rated voltage [V]	Operating voltage range [V]	Rated current [A]	Rated input [W]	Rated speed [min <sup>-1</sup> ]	Max. airflow [m <sup>3</sup> /min] [CFM]	Max. static pressure [Pa] [inchH <sub>2</sub> O]	SPL [dB (A)]	Operating temperature [°C]	Expected life [h]
<b>9WF1224H101</b>	24	20.4 to 27.6	0.32	7.68	3100	3.34 118	100 0.4	46	-20 to +70	40000/60°C (70000/40°C)

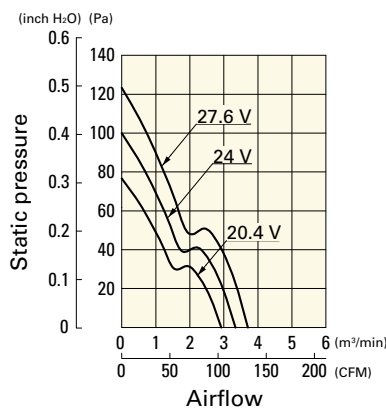
The following sensor and control options are available for selection.

Available for all models. Without sensor Lock sensor

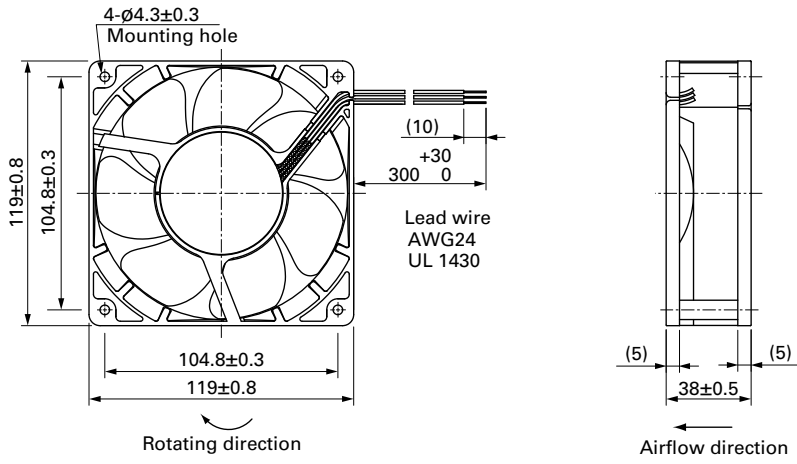
## Airflow - Static Pressure Characteristics

**9WF1224H101** With pulse sensor

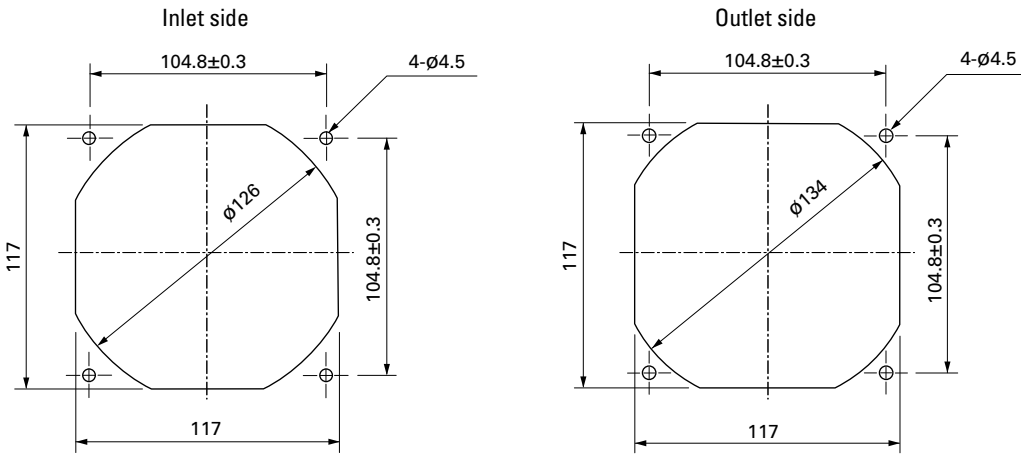
Operating voltage range



**Dimensions (unit: mm)**



**Reference Dimensions of Mounting Holes and Vent Opening (unit: mm)**



**Options**

Finger guards

page: p. 559

Model no.: 109-019E, 109-019K, 109-019C, 109-019H



# Long Life Fan

Cooling fan with Max. 180,000 hours of expected life.

Related product: Splash Proof Fan pp. 266, 269, 275, 283, 290

**Model Numbering System** Not every combination of the following codes or characters is available. Contact us for an available combination.

<b>9L</b>	<b>04</b>	<b>12</b>	<b>J</b>	<b>3</b>	<b>01</b>
Type name	Frame size	Voltage	Speed code	Frame thickness	Sensor specifications

Fans with PWM control function

<b>9LG</b>	<b>06</b>	<b>12</b>	<b>P</b>	<b>4</b>	<b>S</b>	<b>001</b>
Type name	Frame size	Voltage	PWM control function	Frame thickness	Speed code	Individual customer's spec (2 to 3 digits)

Type name	9CRL 9L 9LG etc.							
Frame size (mm)	04	06	08	09	12	14	17	57
	40×40	60×60	80×80	92×92	120×120	140×140	∅172	∅172×150 (sidecut)
Voltage (V)	12	24	48	etc.				
	12	24	48	etc.				
Speed code	E	F	G	H	J	L	M	S etc.
Frame thickness (mm)	0	1	3	4	5	8		
	76	38	28	25	51	80		
Sensor specifications	01, 001			02, 002			D01, D001	
	With a pulse sensor			Without a sensor			With a lock sensor	



# 40x40x28 mm

San Ace 40L 9L type

## General Specifications

- Material ..... Frame: Aluminum, Impeller: Plastic (Flammability: UL 94V-0)
- Expected life ..... See the table below. (L10 life: 90% survival rate for continuous operation in free air at 60°C, rated voltage)  
Expected life at 40°C is for reference only.
- Motor protection function ..... Locked rotor burnout protection, Reverse polarity protection  
For details, please refer to p. 573.
- Dielectric strength ..... 50/60 Hz, 500 VAC, for 1 minute (between lead wire conductors and frame)
- Insulation resistance ..... 10 MΩ or more with a 500 VDC megger (between lead wire conductors and frame)
- Sound pressure level (SPL) ..... At 1 m away from the air inlet
- Storage temperature ..... -30 to +70°C (Non-condensing)
- Lead wire ..... ⊕Red ⊖Black Sensor Yellow
- Mass ..... 55 g

## Specifications

The models listed below **have pulse sensors.**

Model no.	Rated voltage [V]	Operating voltage range [V]	Rated current [A]	Rated input [W]	Rated speed [min <sup>-1</sup> ]	Max. airflow [m <sup>3</sup> /min] [CFM]	Max. static pressure [Pa] [inchH <sub>2</sub> O]	SPL [dB (A)]	Operating temperature [°C]	Expected life [h]
9L0412J301	12	10.2 to 13.8	0.31	3.72	11700	0.52 18.4	206 0.827	48	-20 to +70	100000/60°C (135000/40°C)
9L0412H301			0.15	1.8	8400	0.37 13.1	106 0.426	40		
9L0412M301			0.045	0.54	4000	0.16 5.65	24 0.096	19		

The following sensor and control options are available for selection.

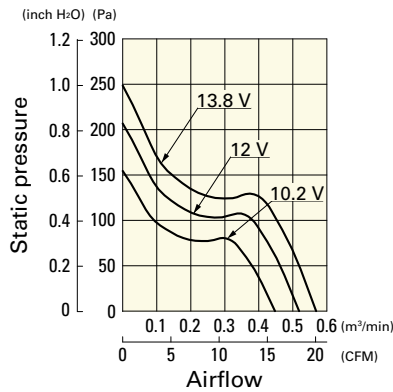
Available for all models. **Without sensor** **Lock sensor**

Differs according to the model. Refer to the table on p. 608. **PWM control**

## Airflow - Static Pressure Characteristics

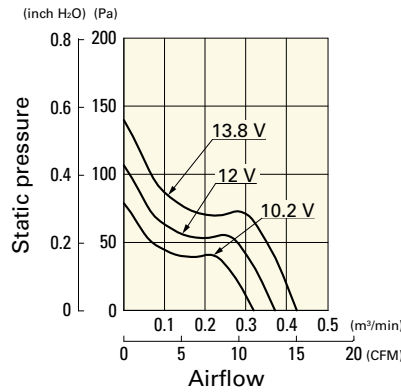
**9L0412J301** With pulse sensor

Operating voltage range



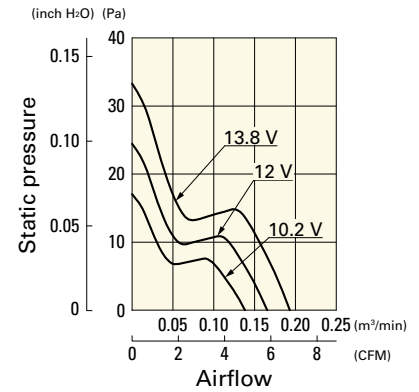
**9L0412H301** With pulse sensor

Operating voltage range

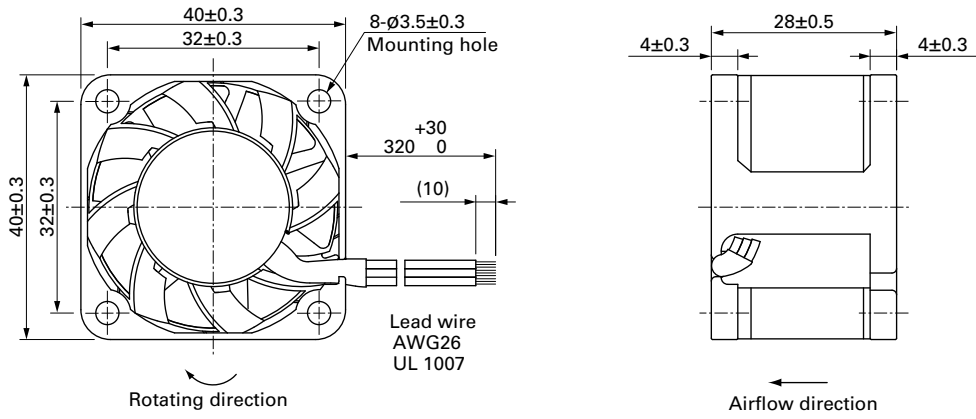


**9L0412M301** With pulse sensor

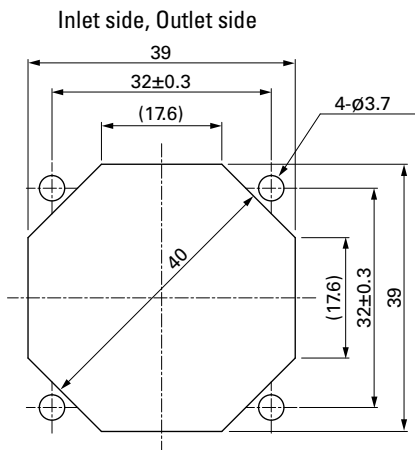
Operating voltage range



## Dimensions (unit: mm)



## Reference Dimensions of Mounting Holes and Vent Opening (unit: mm)



## Options

Finger guards

page: p. 558

Model no.: 109-059, 109-059H



# 60x60x25 mm

San Ace 60L 9LG type

## General Specifications

- Material ..... Frame: Aluminum, Impeller: Plastic (Flammability: UL 94V-1)
- Expected life ..... See the table below. (L10 life: 90% survival rate for continuous operation in free air at 60°C, rated voltage) Expected life at 40°C is for reference only.
- Motor protection function ..... Locked rotor burnout protection, Reverse polarity protection  
For details, please refer to p. 573.
- Dielectric strength ..... 50/60 Hz, 500 VAC, for 1 minute (between lead wire conductors and frame)
- Insulation resistance ..... 10 MΩ or more with a 500 VDC megger (between lead wire conductors and frame)
- Sound pressure level (SPL) ..... At 1 m away from the air inlet
- Storage temperature ..... -30 to +70°C (Non-condensing)
- Lead wire ..... ⊕Red ⊖Black  Sensor  Yellow  Control  Brown
- Mass ..... 100 g

## Specifications

The models listed below **have pulse sensors with PWM control function.**

Model no.	Rated voltage [V]	Operating voltage range [V]	PWM duty cycle* [%]	Rated current [A]	Rated input [W]	Rated speed [min <sup>-1</sup> ]	Max. airflow [m <sup>3</sup> /min] [CFM]	Max. static pressure [Pa] [inchH <sub>2</sub> O]	SPL [dB (A)]	Operating temperature [°C]	Expected life [h]	
» 9LG0612P4S001	12	10.8 to 13.2	100	0.67	8.04	11000	1.4 49.4	300 1.204	53	-20 to +70	18000/60°C (215000/40°C)	
			20	0.06	0.72	2900	0.36 12.7	20.8 0.083	20			
» 9LG0612P4J001			100	0.39	4.68	8650	1.1 38.8	182 0.73	47			
			20	0.03	0.36	1150	0.13 4.8	3.3 0.013	14			
» 9LG0612P4H001			100	0.17	2.04	6150	0.78 27.5	97 0.389	35			
			20	0.03	0.36	1350	0.17 6.0	4.7 0.018	14			
» 9LG0612P4M001		100	0.09	1.08	4200	0.53 18.7	45 0.18	24				
		20	0.03	0.36	900	0.11 3.8	2.0 0.008	14				
» 9LG0624P4S001		24	21.6 to 26.4	100	0.34	8.16	11000	1.4 49.4	300 1.204			53
				20	0.03	0.72	2900	0.36 12.7	20.8 0.083			20
» 9LG0624P4J001				100	0.19	4.56	8650	1.1 38.8	182 0.73			47
				20	0.02	0.48	2200	0.28 9.8	12.0 0.048			17
» 9LG0624P4H001	100			0.08	1.92	6150	0.78 27.5	97 0.389	35			
	20			0.02	0.48	1300	0.16 5.6	4.3 0.017	14			
» 9LG0624P4M001	100		0.04	0.96	4200	0.53 18.7	45 0.18	24				
	20		0.01	0.24	800	0.1 3.5	1.6 0.006	14				
» 9LG0648P4S001	48		36 to 72	100	0.18	8.64	11000	1.4 49.4	305 1.224	53		
				20	0.02	0.96	2900	0.36 12.7	20.8 0.083	20		
» 9LG0648P4J001				100	0.1	4.8	8650	1.1 38.8	182 0.73	47		
				20	0.02	0.96	2100	0.26 9.1	10.7 0.042	17		
» 9LG0648P4H001		100		0.06	2.88	6150	0.78 27.5	97 0.389	35			
		20		0.02	0.96	1000	0.12 4.2	2.5 0.01	14			
» 9LG0648P4M001		100	0.04	1.92	4200	0.53 18.7	45 0.18	24				
		20	0.02	0.96	650	0.08 2.8	1.0 0.004	14				

\* PWM input frequency is 25 kHz; models without specifications at 0% PWM duty cycle have zero fan speed at 0%.

The following sensor and control options are available for selection.

Differs according to the model. Refer to the table on p. 608.  Without sensor  Pulse sensor  Lock sensor

The » mark indicates Short LeadTime Service applicable models. See p. 626 for details.

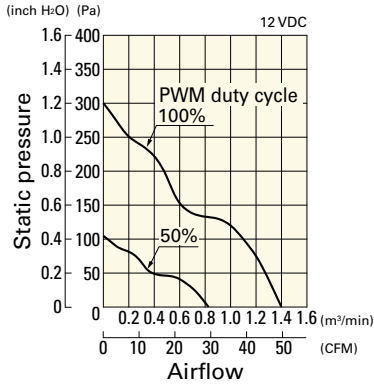
DC Long Life Fan 60 mm sq.



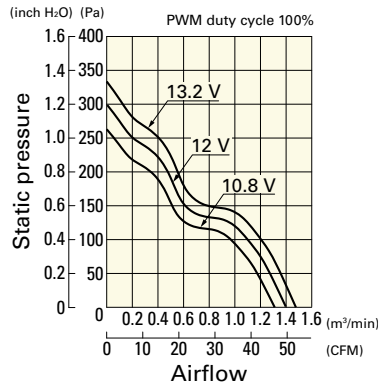
# Airflow - Static Pressure Characteristics / PWM Duty - Speed Characteristics Example

**9LG0612P4S001** With pulse sensor with PWM control function

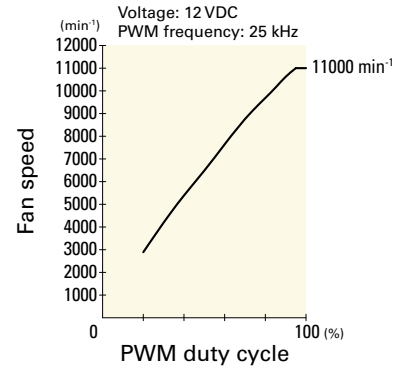
PWM duty cycle



Operating voltage range

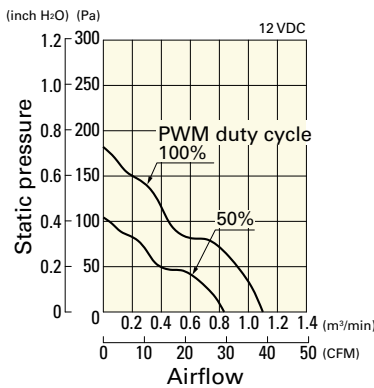


PWM duty - Speed characteristics example

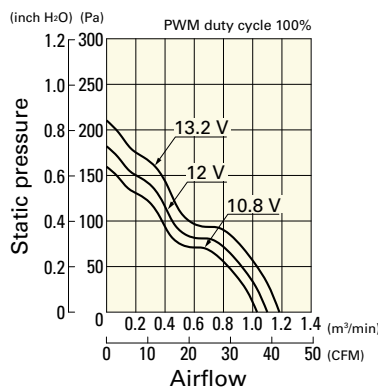


**9LG0612P4J001** With pulse sensor with PWM control function

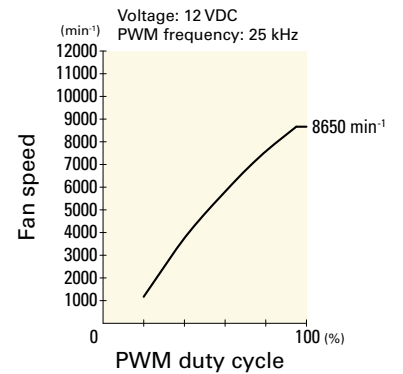
PWM duty cycle



Operating voltage range

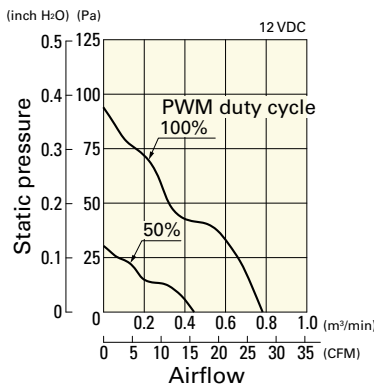


PWM duty - Speed characteristics example

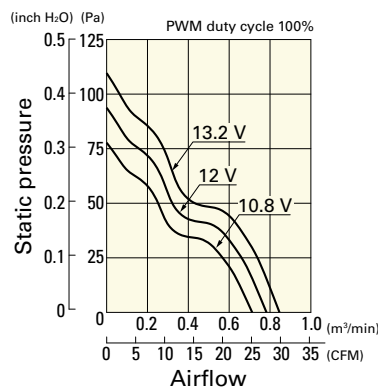


**9LG0612P4H001** With pulse sensor with PWM control function

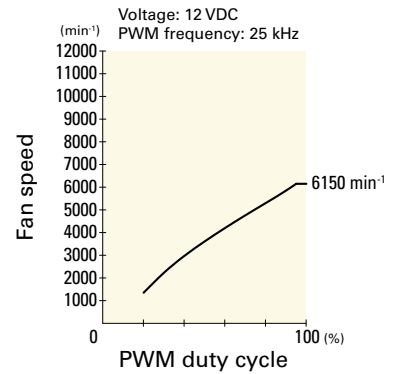
PWM duty cycle



Operating voltage range

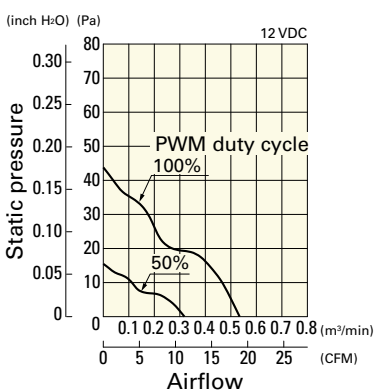


PWM duty - Speed characteristics example

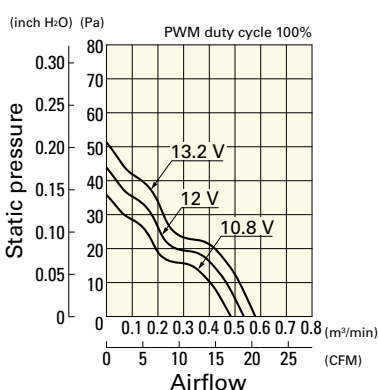


**9LG0612P4M001** With pulse sensor with PWM control function

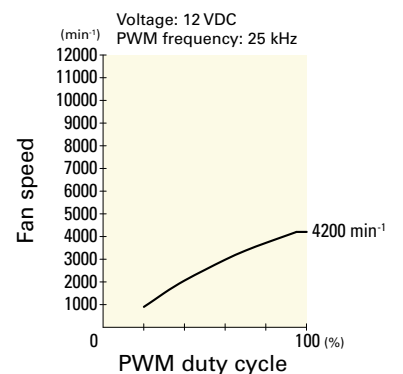
PWM duty cycle



Operating voltage range



PWM duty - Speed characteristics example

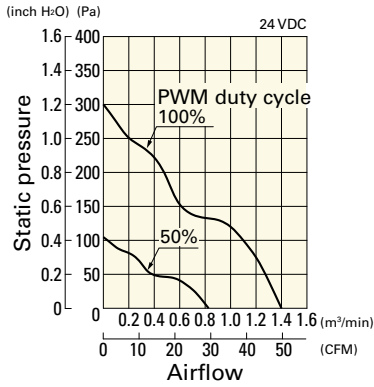


DC  
Long Life Fan 60 mm sq.

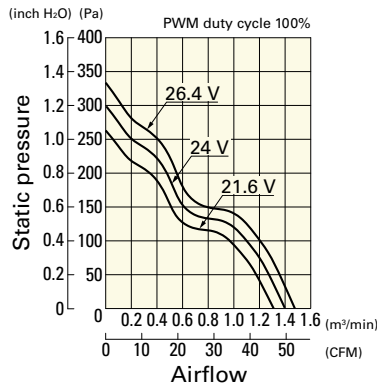
# Airflow - Static Pressure Characteristics / PWM Duty - Speed Characteristics Example

**9LG0624P4S001** With pulse sensor with PWM control function

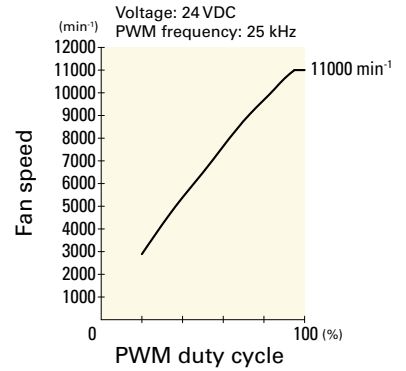
PWM duty cycle



Operating voltage range

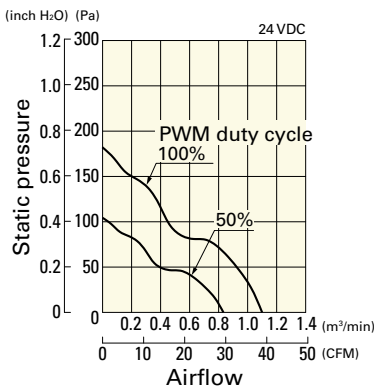


PWM duty - Speed characteristics example

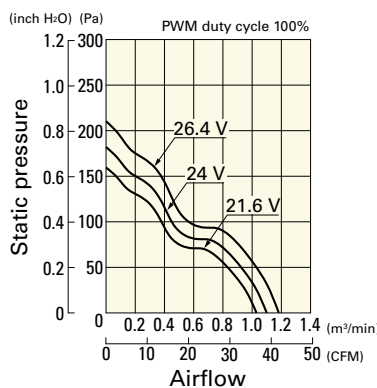


**9LG0624P4J001** With pulse sensor with PWM control function

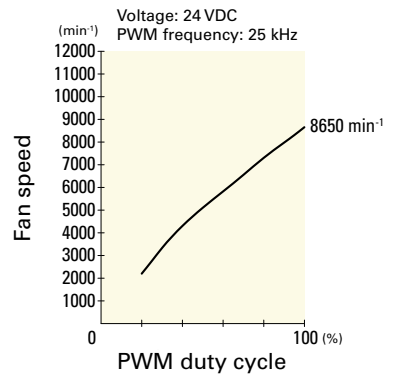
PWM duty cycle



Operating voltage range

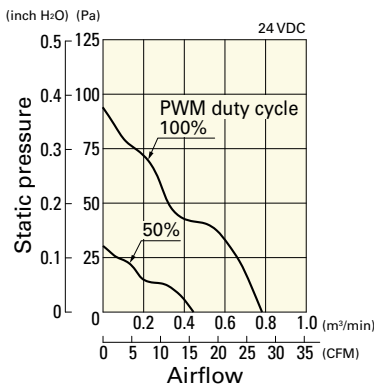


PWM duty - Speed characteristics example

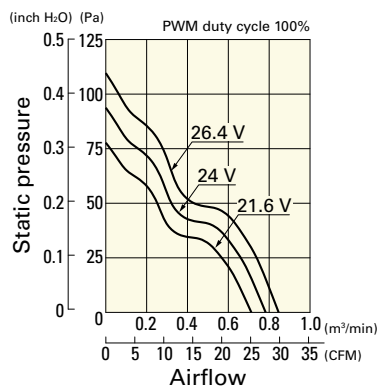


**9LG0624P4H001** With pulse sensor with PWM control function

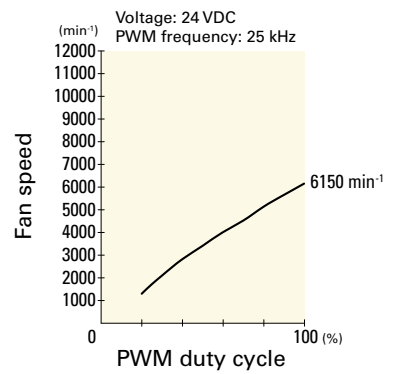
PWM duty cycle



Operating voltage range

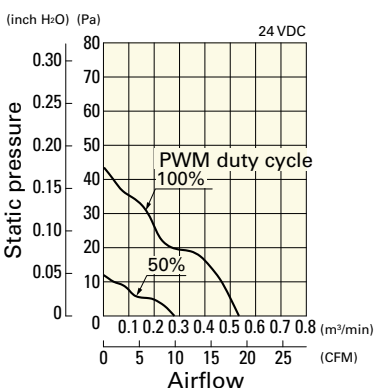


PWM duty - Speed characteristics example

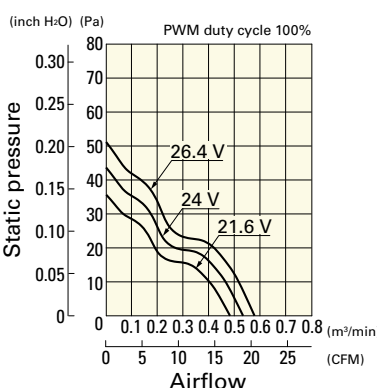


**9LG0624P4M001** With pulse sensor with PWM control function

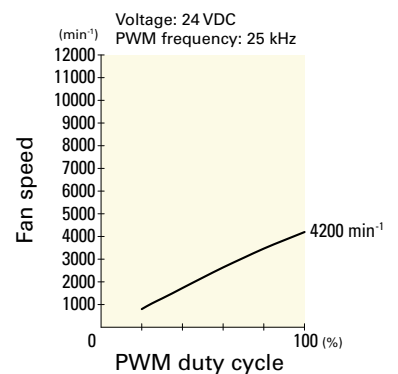
PWM duty cycle



Operating voltage range



PWM duty - Speed characteristics example

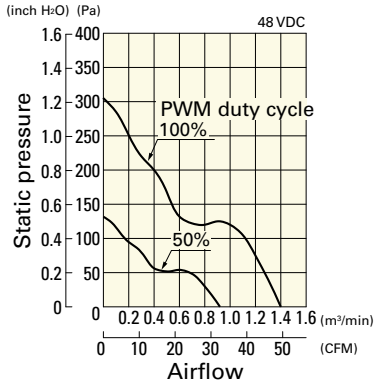


DC  
Long Life Fan 60 mm sq.

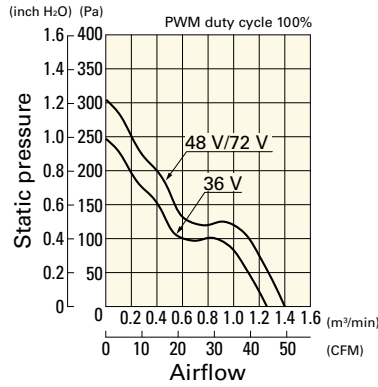
# Airflow - Static Pressure Characteristics / PWM Duty - Speed Characteristics Example

**9LG0648P4S001** With pulse sensor with PWM control function

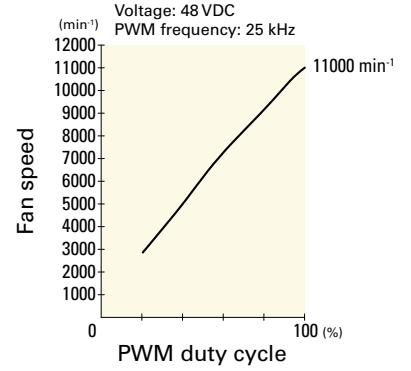
PWM duty cycle



Operating voltage range

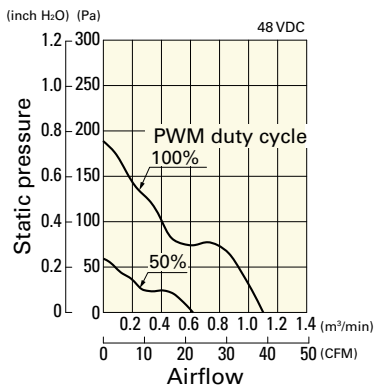


PWM duty - Speed characteristics example

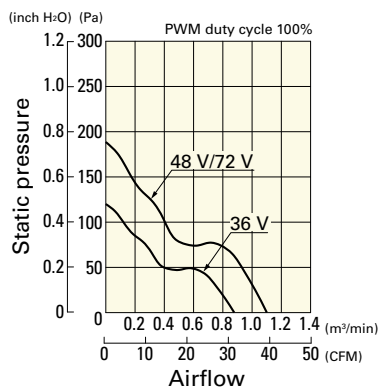


**9LG0648P4J001** With pulse sensor with PWM control function

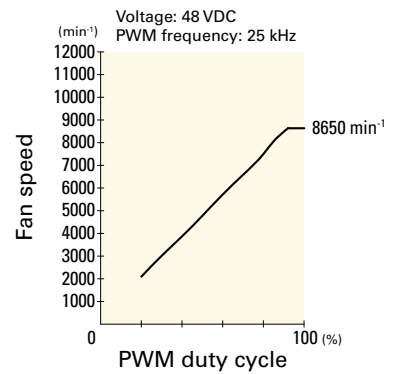
PWM duty cycle



Operating voltage range

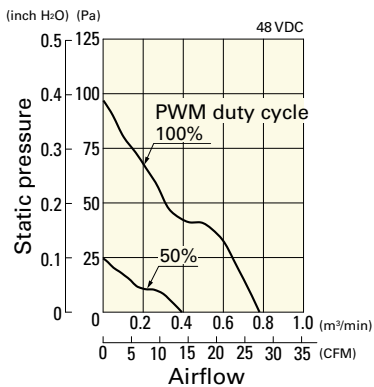


PWM duty - Speed characteristics example

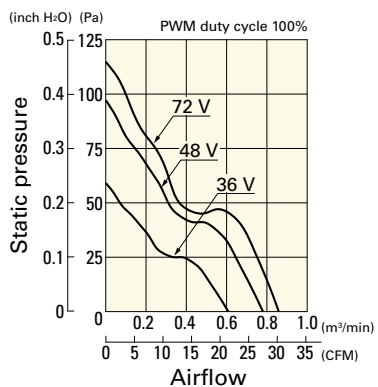


**9LG0648P4H001** With pulse sensor with PWM control function

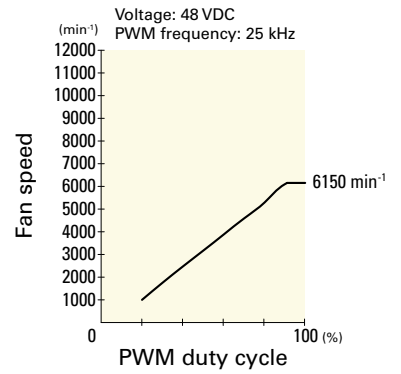
PWM duty cycle



Operating voltage range

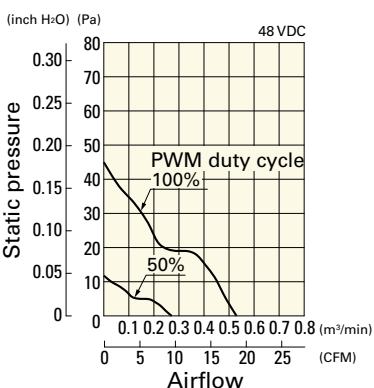


PWM duty - Speed characteristics example

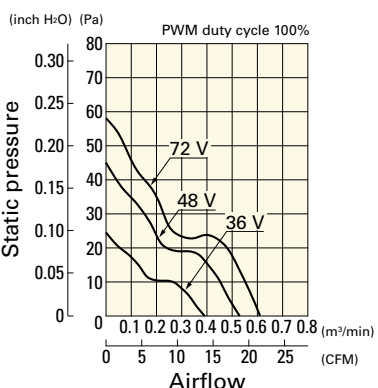


**9LG0648P4M001** With pulse sensor with PWM control function

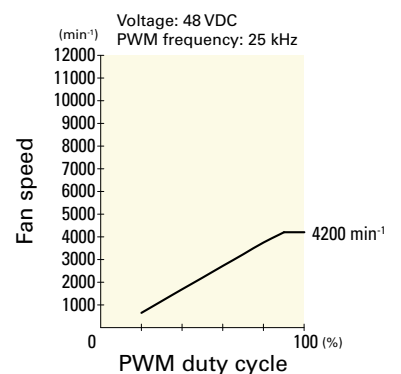
PWM duty cycle



Operating voltage range

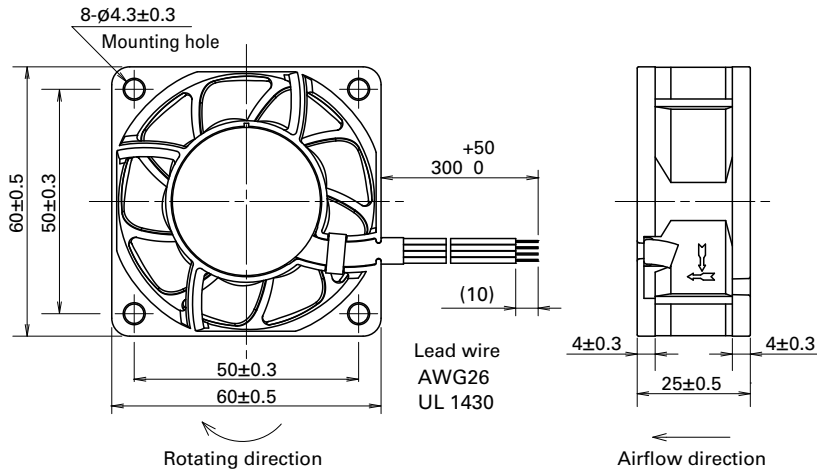


PWM duty - Speed characteristics example



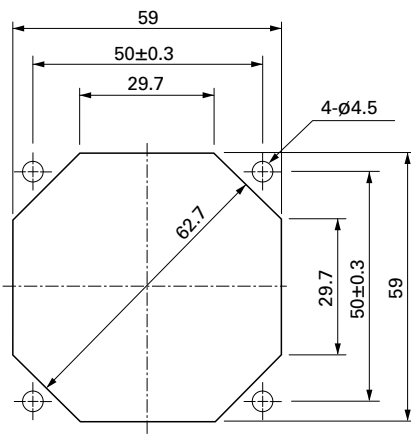
DC  
Long Life Fan 60 mm sq.

## Dimensions (unit: mm)



## Reference Dimensions of Mounting Holes and Vent Opening (unit: mm)

Inlet side, Outlet side



## Options

Finger guards

page: p. 558

Model no.: 109-139E, 109-139H

Resin finger guards

page: p. 565

Model no.: 109-1003G

Resin filter kits

page: p. 566

Model no.: 109-1003F13 (13PPI), 109-1003F20 (20PPI),  
109-1003F30 (30PPI), 109-1003F40 (40PPI)



# 60x60x76 mm

San Ace 60L 9CRLA type US

## General Specifications

- Material ..... Frame: Aluminum (Black coating), Impeller: Plastic (Flammability: UL 94V-1)
- Expected life ..... See the table below. (L10 life: 90% survival rate for continuous operation in free air at 60°C, rated voltage) Expected life at 40°C is for reference only.
- Motor protection function ..... Locked rotor burnout protection, Reverse polarity protection  
For details, please refer to p. 573.
- Dielectric strength ..... 50/60 Hz, 500 VAC, for 1 minute (between lead wire conductors and frame)
- Insulation resistance ..... 10 MΩ or more with a 500 VDC megger (between lead wire conductors and frame)
- Sound pressure level (SPL) ..... At 1 m away from the air inlet
- Storage temperature ..... -30 to +70°C (Non-condensing)
- Lead wire ..... Inlet ⊕Red ⊖Black (Sensor) Yellow (Control) Brown  
Outlet ⊕Orange ⊖Gray (Sensor) Purple (Control) White
- Mass ..... 310 g

## Specifications

The models listed below **have pulse sensors with PWM control function.**

Model no.	Rated voltage [V]	Operating voltage range [V]	PWM duty cycle [%]	Rated current [A]	Rated input [W]	Rated speed [min <sup>-1</sup> ]		Max. airflow [m <sup>3</sup> /min] [CFM]		Max. static pressure [Pa] [inchH <sub>2</sub> O]		SPL [dB (A)]	Operating temperature [°C]	Expected life [h]
						Inlet	Outlet	Inlet	Outlet	Inlet	Outlet			
9CRLA0612P0G001	12	10.8 to 13.2	100	3.0	36.0	16500	17800	2.1	74.1	1400	5.62	70	-20 to +70	100000/60°C (135000/40°C)
			20	0.4	4.8	5000	5400	0.64	22.6	128	0.51	43		

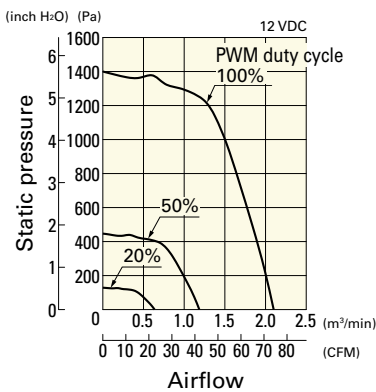
\* PWM input frequency is 25 kHz; models without specifications at 0% PWM duty cycle have zero fan speed at 0%.

The mark indicates Short Lead Time Service applicable models. See p. 626 for details.

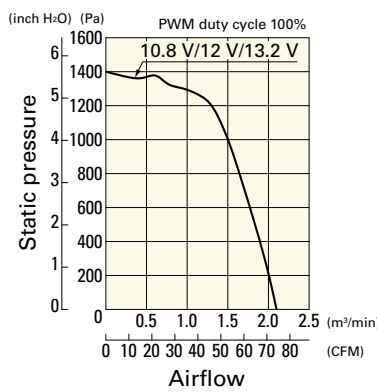
## Airflow - Static Pressure Characteristics / PWM Duty - Speed Characteristics Example

**9CRLA0612P0G001** With pulse sensor with PWM control function

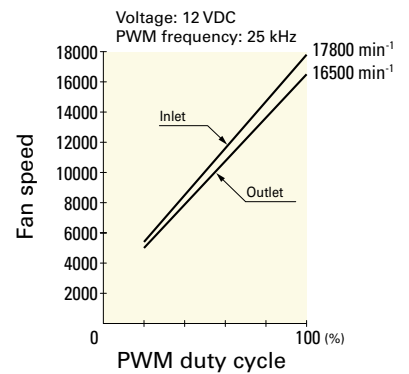
PWM duty cycle



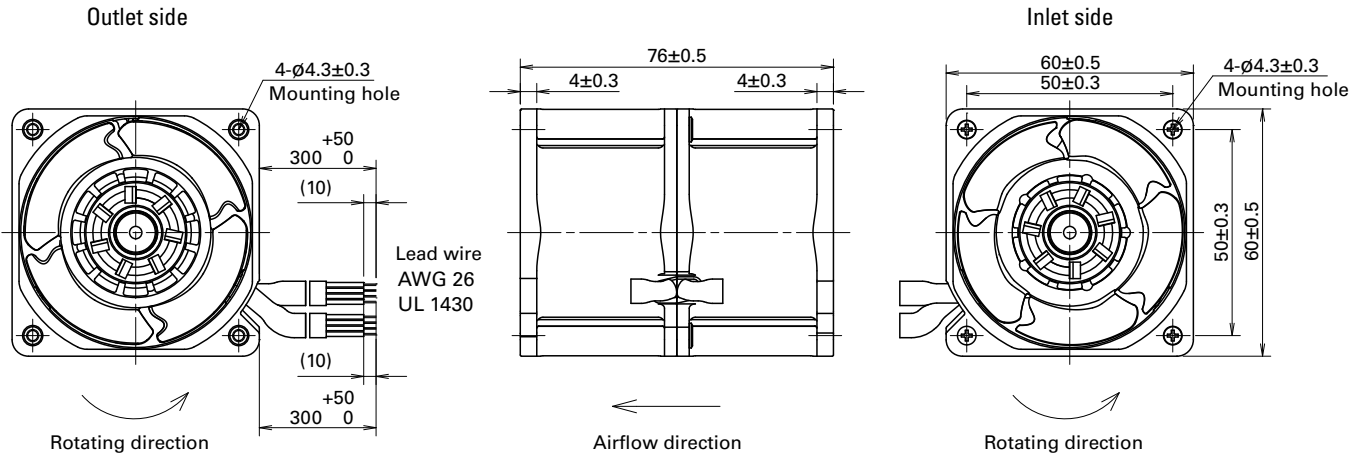
Operating voltage range



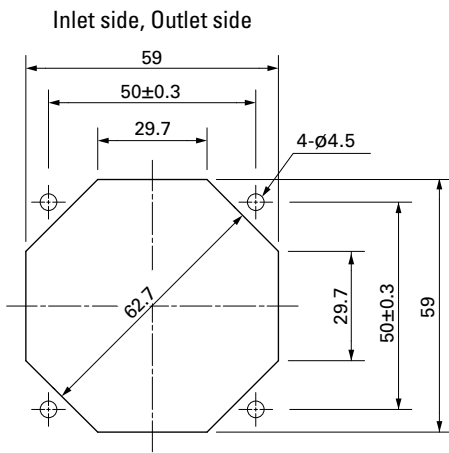
PWM duty - Speed characteristics example



## Dimensions (unit: mm)



## Reference Dimensions of Mounting Holes and Vent Opening (unit: mm)



## Options

### Finger guards

page: p. 558

Model no.: 109-139E, 109-139H

### Resin finger guards

page: p. 565

Model no.: 109-1003G

### Resin filter kits

page: p. 566

Model no.: 109-1003F13 (13PPI), 109-1003F20 (20PPI),  
109-1003F30 (30PPI), 109-1003F40 (40PPI)



# 60x60x76 mm

San Ace 60L 9CRL type

## General Specifications

- Material ..... Frame: Aluminum, Impeller: Plastic (Flammability: UL 94V-1)
- Expected life ..... See the table below. (L10 life: 90% survival rate for continuous operation in free air at 60°C, rated voltage) Expected life at 40°C is for reference only.
- Motor protection function ..... Locked rotor burnout protection, Reverse polarity protection  
For details, please refer to p. 573.
- Dielectric strength ..... 50/60 Hz, 500 VAC, for 1 minute (between lead wire conductors and frame)
- Insulation resistance ..... 10 MΩ or more with a 500 VDC megger (between lead wire conductors and frame)
- Sound pressure level (SPL) ..... At 1 m away from the air inlet
- Storage temperature ..... -30 to +70°C (Non-condensing)
- Lead wire ..... Inlet ⊕Red ⊖Black (Sensor) Yellow (Control) Brown  
Outlet ⊕Orange ⊖Gray (Sensor) Purple (Control) White
- Mass ..... 300 g

## Specifications

The models listed below **have pulse sensors with PWM control function.**

Model no.	Rated voltage [V]	Operating voltage range [V]	PWM duty cycle* [%]	Rated current [A]	Rated input [W]	Rated speed [min <sup>-1</sup> ]		Max. airflow [m <sup>3</sup> /min] [CFM]		Max. static pressure [Pa] [inchH <sub>2</sub> O]		SPL [dB (A)]	Operating temperature [°C]	Expected life [h]
						Inlet	Outlet	Inlet	Outlet	Inlet	Outlet			
9CRL0612P0G001	12	10.8 to 13.2	100	2.3	27.6	16500	13000	2.0	70.6	1000	4.0	66	-20 to +70	130000/60°C (165000/40°C)
			0	0.22	2.7	3600	2800	0.43	15.1	47.6	0.19	32		

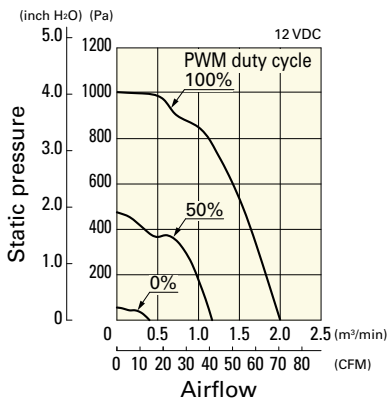
\* PWM input frequency is 25 kHz; models without specifications at 0% PWM duty cycle have zero fan speed at 0%.

The mark indicates Short Lead Time Service applicable models. See p. 626 for details.

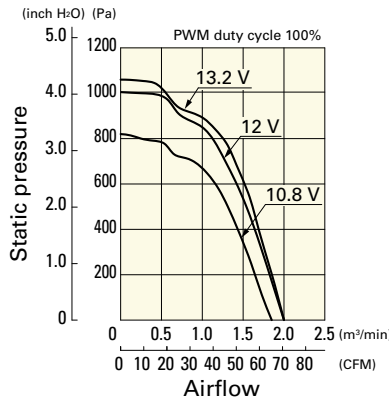
## Airflow - Static Pressure Characteristics / PWM Duty - Speed Characteristics Example

**9CRL0612P0G001** With pulse sensor with PWM control function

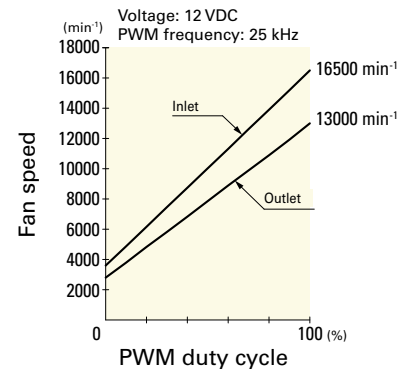
PWM duty cycle



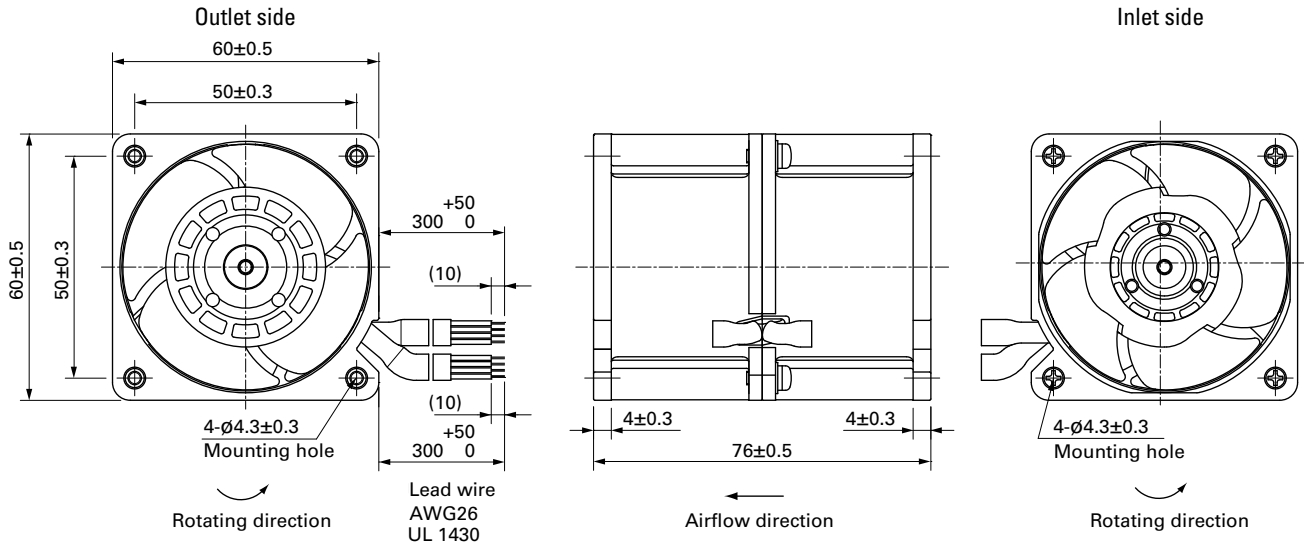
Operating voltage range



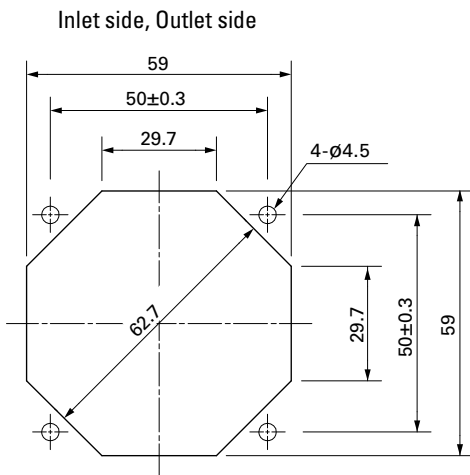
PWM duty - Speed characteristics example



## Dimensions (unit: mm)



## Reference Dimensions of Mounting Holes and Vent Opening (unit: mm)



## Options

### Finger guards

page: p. 558

Model no.: 109-139E, 109-139H

### Resin finger guards

page: p. 565

Model no.: 109-1003G

### Resin filter kits

page: p. 566

Model no.: 109-1003F13 (13PPI), 109-1003F20 (20PPI),  
109-1003F30 (30PPI), 109-1003F40 (40PPI)





# 80x80x25 mm

San Ace 80L 9LG type

## General Specifications

- Material ..... Frame: Aluminum, Impeller: Plastic (Flammability: UL 94V-1)
- Expected life ..... See the table below. (L10 life: 90% survival rate for continuous operation in free air at 60°C, rated voltage) Expected life at 40°C is for reference only.
- Motor protection function ..... Locked rotor burnout protection, Reverse polarity protection  
For details, please refer to p. 573.
- Dielectric strength ..... 50/60 Hz, 500 VAC, for 1 minute (between lead wire conductors and frame)
- Insulation resistance ..... 10 MΩ or more with a 500 VDC megger (between lead wire conductors and frame)
- Sound pressure level (SPL) ..... At 1 m away from the air inlet
- Storage temperature ..... -30 to +70°C (Non-condensing)
- Lead wire ..... ⊕Red ⊖Black Sensor Yellow Control Brown  
(For models without PWM control function, there is no speed control wiring.)
- Mass ..... 130 g

## Specifications

The models listed below **have pulse sensors with PWM control function.**

Model no.	Rated voltage [V]	Operating voltage range [V]	PWM duty cycle [%]	Rated current [A]	Rated input [W]	Rated speed [min <sup>-1</sup> ]	Max. airflow [m <sup>3</sup> /min] [CFM]		Max. static pressure [Pa] [inchH <sub>2</sub> O]		SPL [dB (A)]	Operating temperature [°C]	Expected life [h]		
» 9LG0812P4J001	12	10.8 to 13.2	100	0.6	7.2	7400	2.07	73.0	177	0.71	49	-20 to +70	180000/60°C (215000/40°C)		
			20	0.06	0.72	1800	0.5	17.6	10.4	0.04	16				
» 9LG0812P4G001			100	0.3	3.6	5500	1.54	54.3	98	0.39	43				
			25	0.05	0.6	1400	0.39	13.7	6.3	0.02	14				
» 9LG0812P4H001			100	0.12	1.44	3700	1.03	36.3	44	0.17	31				
			25	0.04	0.48	1100	0.3	10.5	3.9	0.01	13				
» 9LG0824P4J001			24	21.6 to 26.4	100	0.28	6.72	7400	2.07	73.0	177			0.71	49
					20	0.05	1.2	2400	0.67	23.6	18.6			0.07	22
» 9LG0824P4G001					100	0.14	3.36	5500	1.54	54.3	98			0.39	43
					20	0.02	0.48	1200	0.33	11.6	4.6			0.01	13
» 9LG0824P4H001	100	0.05			1.2	3700	1.03	36.3	44	0.17	31				
	30	0.02			0.48	1100	0.3	10.5	3.9	0.01	13				

\* PWM input frequency is 25 kHz; models without specifications at 0% PWM duty cycle have zero fan speed at 0%.

The following sensor and control options are available for selection.

Available for all models. Lock sensor

Differs according to the model. Refer to the table on p. 608. Without sensor Pulse sensor

The models listed below **have pulse sensors.**

Model no.	Rated voltage [V]	Operating voltage range [V]	Rated current [A]	Rated input [W]	Rated speed [min <sup>-1</sup> ]	Max. airflow [m <sup>3</sup> /min] [CFM]		Max. static pressure [Pa] [inchH <sub>2</sub> O]		SPL [dB (A)]	Operating temperature [°C]	Expected life [h]	
» 9LG0812S4001	12	6 to 13.2	0.17	2.04	4200	1.17	41.3	56	0.22	35	-20 to +70	180000/60°C (215000/40°C)	
			0.1	1.2	3300	0.92	32.5	35	0.14	29			
0.08			0.96	2900	0.8	28.3	27	0.11	25				
0.06			0.72	2300	0.64	22.6	17	0.068	22				
» 9LG0824S4001		24	12 to 26.4	0.07	1.68	4200	1.17	41.3	56	0.22			35
				0.045	1.08	3300	0.92	32.5	35	0.14			29
				0.04	0.96	2900	0.8	28.3	27	0.11			25
				0.03	0.72	2300	0.64	22.6	17	0.068			22

The following sensor and control options are available for selection.

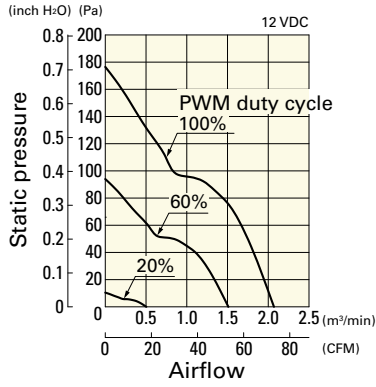
Available for all models. Without sensor Lock sensor

The » mark indicates Short LeadTime Service applicable models. See p. 626 for details.

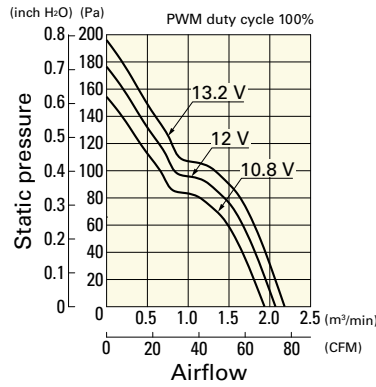
# Airflow - Static Pressure Characteristics / PWM Duty - Speed Characteristics Example

**9LG0812P4J001** With pulse sensor with PWM control function

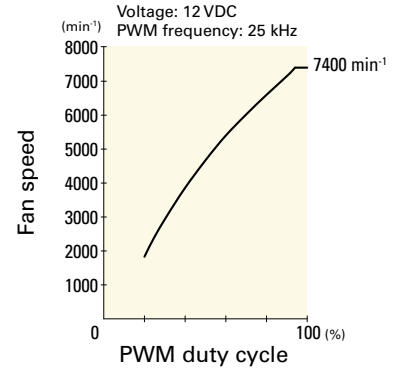
PWM duty cycle



Operating voltage range

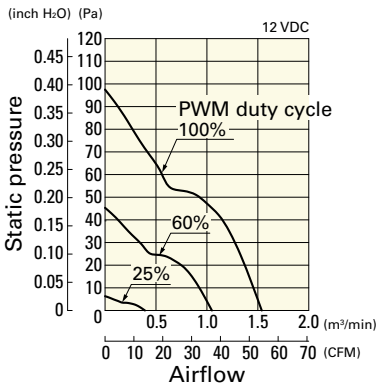


PWM duty - Speed characteristics example

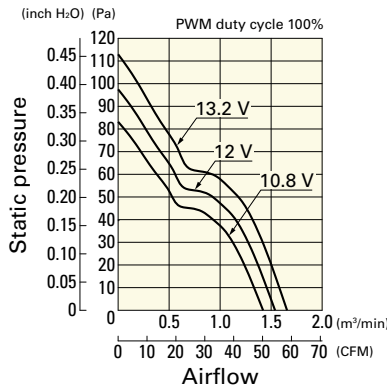


**9LG0812P4G001** With pulse sensor with PWM control function

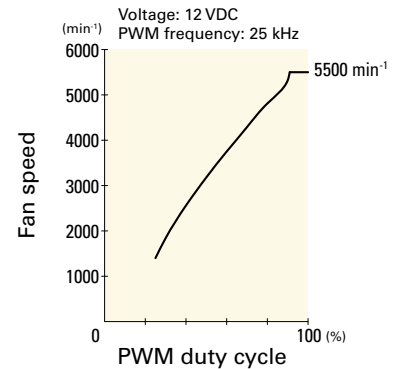
PWM duty cycle



Operating voltage range



PWM duty - Speed characteristics example

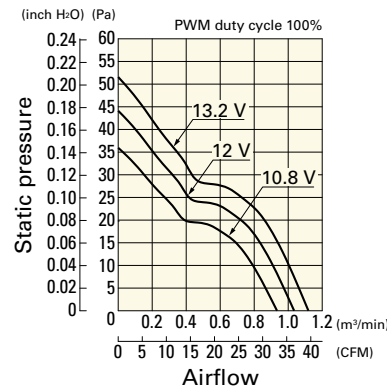


**9LG0812P4H001** With pulse sensor with PWM control function

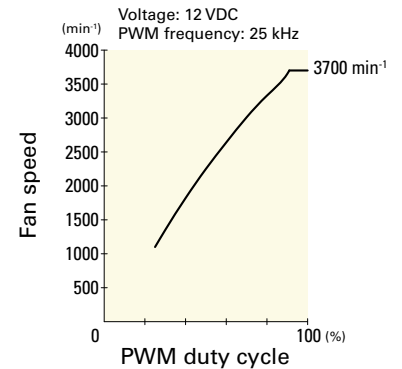
PWM duty cycle



Operating voltage range



PWM duty - Speed characteristics example



**9LG0824P4J001** With pulse sensor with PWM control function

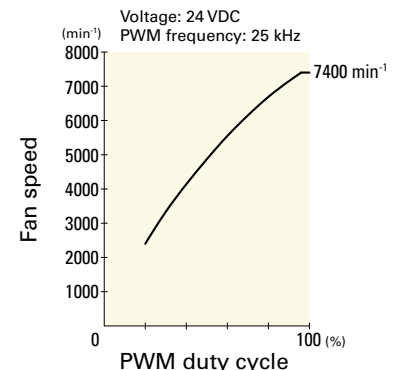
PWM duty cycle



Operating voltage range



PWM duty - Speed characteristics example

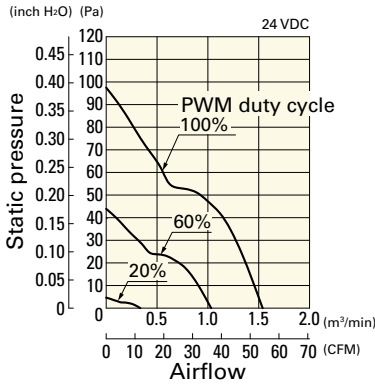


DC Long Life Fan 80 mm sq.

## Airflow - Static Pressure Characteristics / PWM Duty - Speed Characteristics Example

**9LG0824P4G001** With pulse sensor with PWM control function

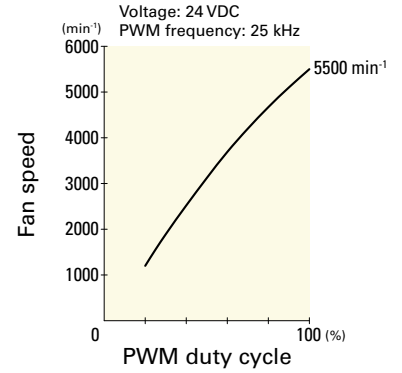
PWM duty cycle



Operating voltage range

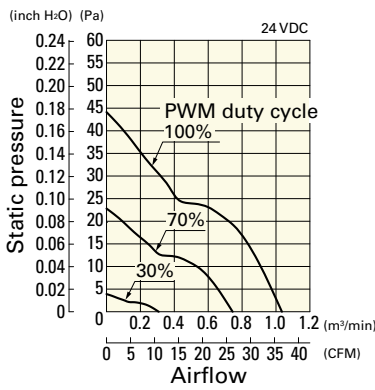


PWM duty - Speed characteristics example



**9LG0824P4H001** With pulse sensor with PWM control function

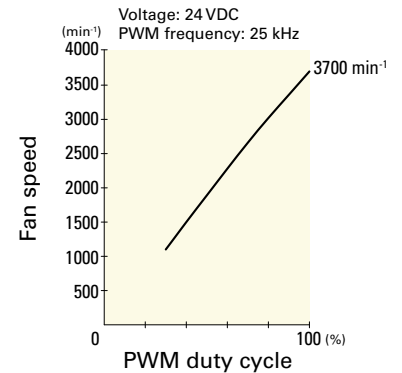
PWM duty cycle



Operating voltage range



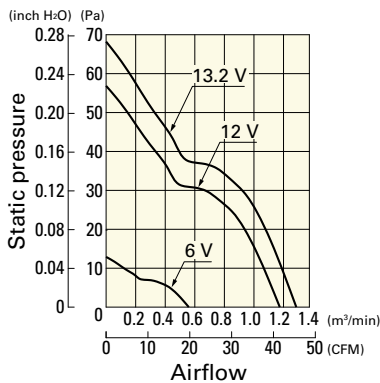
PWM duty - Speed characteristics example



## Airflow - Static Pressure Characteristics

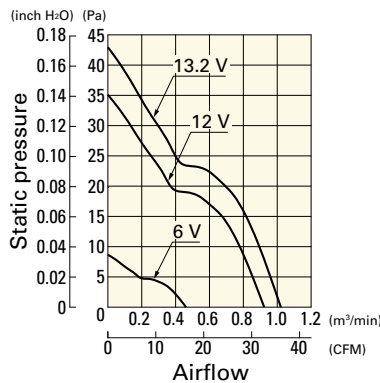
**9LG0812S4001** With pulse sensor

Operating voltage range



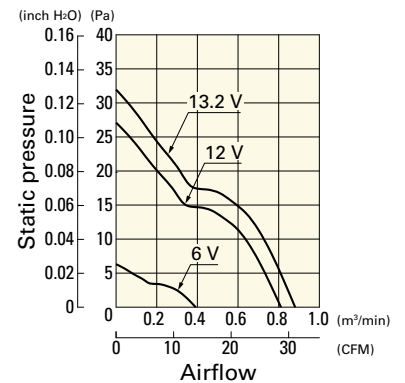
**9LG0812F4001** With pulse sensor

Operating voltage range



**9LG0812M4001** With pulse sensor

Operating voltage range



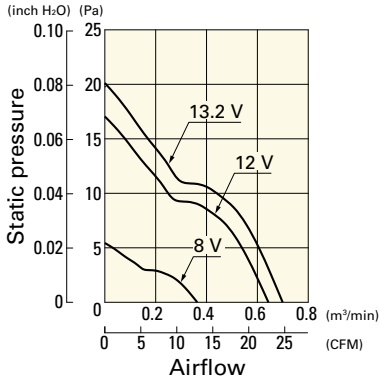
DC

Long Life Fan 80 mm sq.

## Airflow - Static Pressure Characteristics

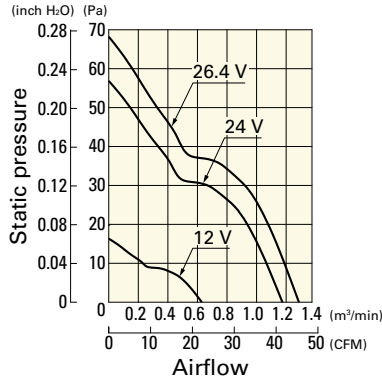
**9LG0812L4001** With pulse sensor

Operating voltage range



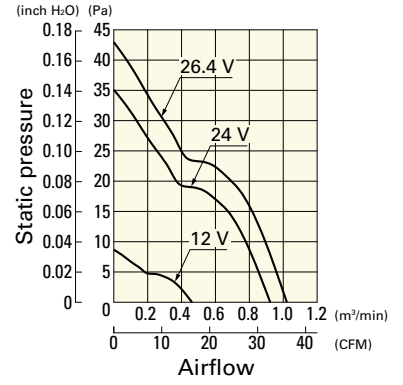
**9LG0824S4001** With pulse sensor

Operating voltage range



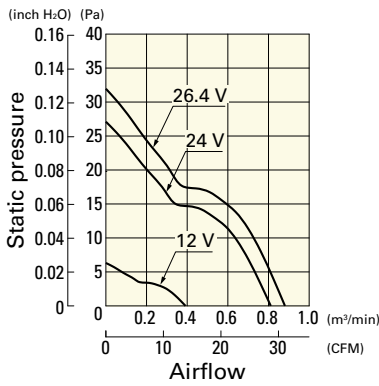
**9LG0824F4001** With pulse sensor

Operating voltage range



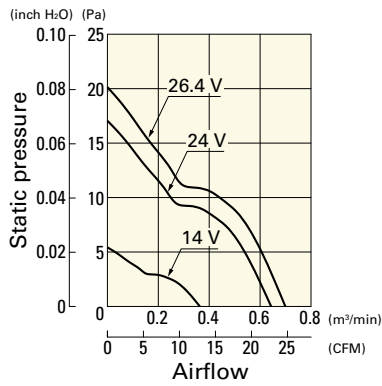
**9LG0824M4001** With pulse sensor

Operating voltage range



**9LG0824L4001** With pulse sensor

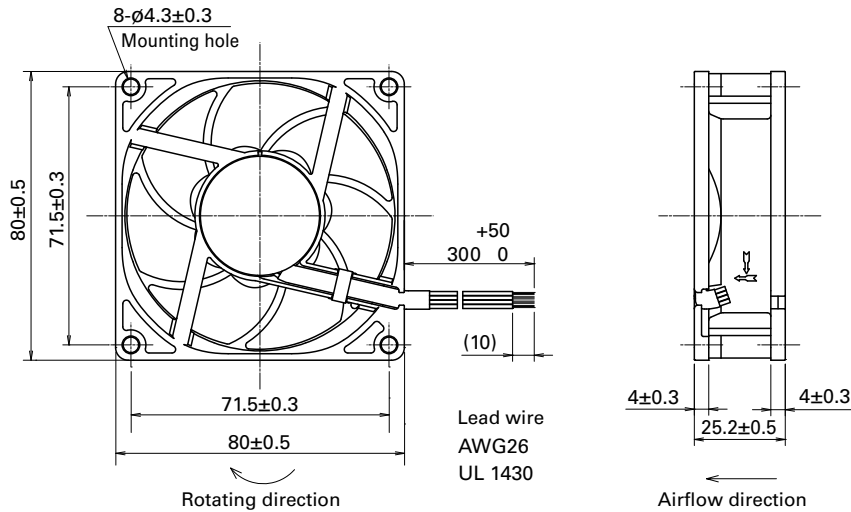
Operating voltage range



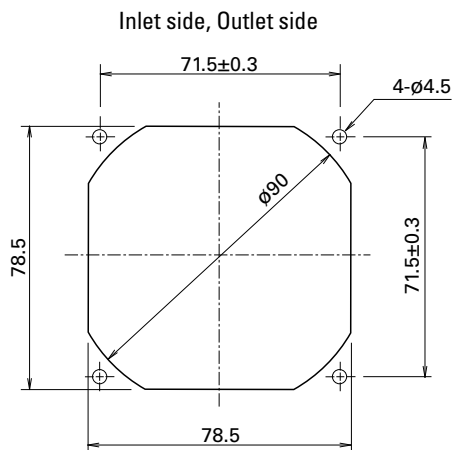
DC

Long Life Fan 80 mm sq.

## Dimensions (unit: mm)



## Reference Dimensions of Mounting Holes and Vent Opening (unit: mm)



## Options

### Finger guards

page: p. 558

Model no.: 109-049E, 109-049H, 109-049C

### Resin finger guards

page: p. 565

Model no.: 109-1002G

### Resin filter kits

page: p. 566

Model no.: 109-1002F13 (13PPI), 109-1002F20 (20PPI),  
109-1002F30 (30PPI), 109-1002F40 (40PPI)



# 80x80x80 mm

San Ace 80L 9CRL type

DC Long Life Fan 80 mm sq.

## General Specifications

- Material ..... Frame: Aluminum, Impeller: Plastic (Flammability: UL 94V-1)
- Expected life ..... See the table below. (L10 life: 90% survival rate for continuous operation in free air at 60°C, rated voltage) Expected life at 40°C is for reference only.
- Motor protection function ..... Locked rotor burnout protection, Reverse polarity protection  
For details, please refer to p. 573.
- Dielectric strength ..... 50/60 Hz, 500 VAC, for 1 minute (between lead wire conductors and frame)
- Insulation resistance ..... 10 MΩ or more with a 500 VDC megger (between lead wire conductors and frame)
- Sound pressure level (SPL) ..... At 1 m away from the air inlet
- Storage temperature ..... -30 to +70°C (Non-condensing)
- Lead wire ..... Inlet ⊕Red ⊖Black (Sensor) Yellow (Control) Brown  
Outlet ⊕Orange ⊖Gray (Sensor) Purple (Control) White
- Mass ..... 490 g

## Specifications

The models listed below **have pulse sensors with PWM control function.**

Model no.	Rated voltage [V]	Operating voltage range [V]	PWM duty cycle* [%]	Rated current [A]	Rated input [W]	Rated speed [min <sup>-1</sup> ]		Max. airflow [m <sup>3</sup> /min] [CFM]		Max. static pressure [Pa] [inchH <sub>2</sub> O]		SPL [dB (A)]	Operating temperature [°C]	Expected life [h]
						Inlet	Outlet							
9CRL0812P8G001	12	10.8 to 13.2	100	5.3	63.6	12000	11300	4.5	158.9	1150	4.62	76	-20 to +70	130000/60°C (165000/40°C)
			0	0.2	2.4	2000	1900	0.74	26.1	31.9	0.13	30		

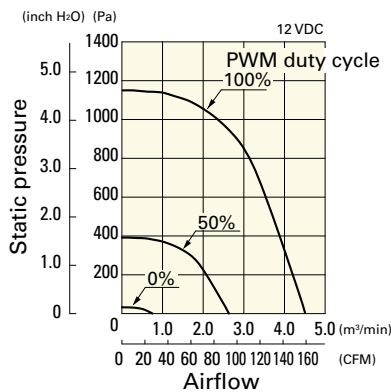
\* PWM input frequency is 25 kHz; models without specifications at 0% PWM duty cycle have zero fan speed at 0%.

The mark indicates Short Lead Time Service applicable models. See p. 626 for details.

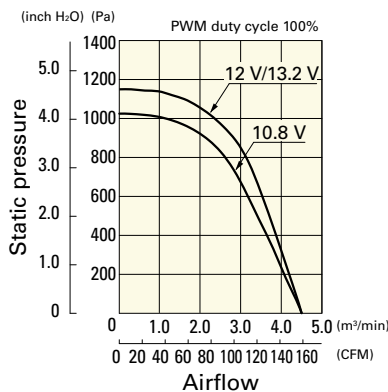
## Airflow - Static Pressure Characteristics / PWM Duty - Speed Characteristics Example

**9CRL0812P8G001** With pulse sensor with PWM control function

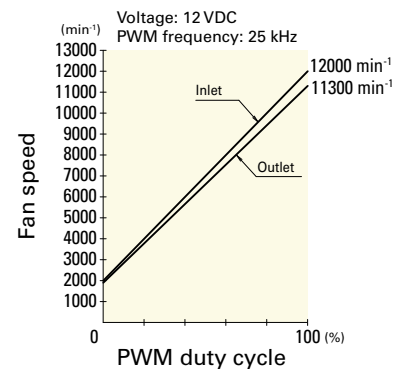
PWM duty cycle



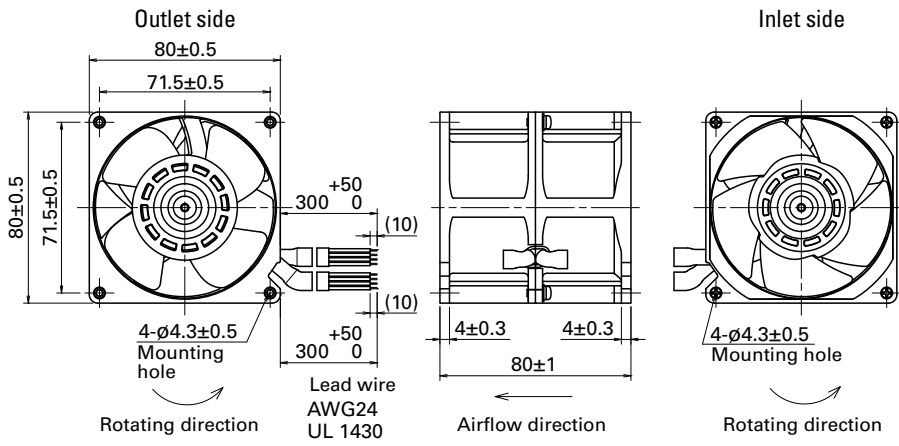
Operating voltage range



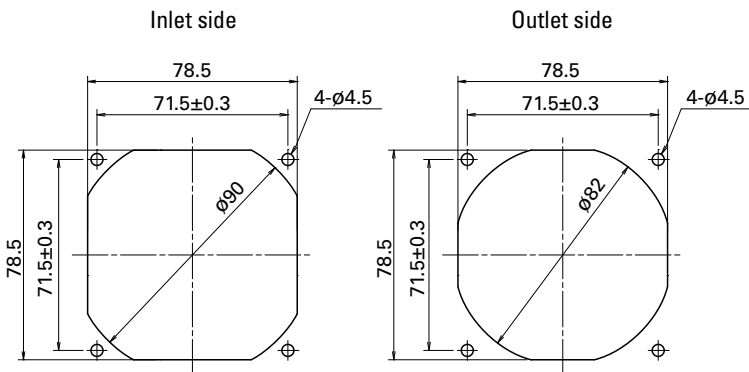
PWM duty - Speed characteristics example



## Dimensions (unit: mm)



## Reference Dimensions of Mounting Holes and Vent Opening (unit: mm)



## Options

### Finger guards

page: p. 558

Model no.: 109-049E, 109-049H, 109-049C

### Resin finger guards

page: p. 565

Model no.: 109-1002G

### Resin filter kits

page: p. 566

Model no.: 109-1002F13 (13PPI), 109-1002F20 (20PPI),  
109-1002F30 (30PPI), 109-1002F40 (40PPI)



# 92x92x25 mm



San Ace 92L 9LG type

## General Specifications

- Material ..... Frame: Aluminum, Impeller: Plastic (Flammability: UL 94V-1)
- Expected life ..... See the table below. (L10 life: 90% survival rate for continuous operation in free air at 60°C, rated voltage) Expected life at 40°C is for reference only.
- Motor protection function ..... Locked rotor burnout protection, Reverse polarity protection  
For details, please refer to p. 573.
- Dielectric strength ..... 50/60 Hz, 500 VAC, for 1 minute (between lead wire conductors and frame)
- Insulation resistance ..... 10 MΩ or more with a 500 VDC megger (between lead wire conductors and frame)
- Sound pressure level (SPL) ..... At 1 m away from the air inlet
- Storage temperature ..... -30 to +70°C (Non-condensing)
- Lead wire ..... ⊕Red ⊖Black (Sensor) Yellow (Control) Brown  
(For models without PWM control function, there is no speed control wiring.)
- Mass ..... 150 g

## Specifications

The models listed below **have pulse sensors with PWM control function.**

Model no.	Rated voltage [V]	Operating voltage range [V]	PWM duty cycle [%]	Rated current [A]	Rated input [W]	Rated speed [min <sup>-1</sup> ]	Max. airflow [m <sup>3</sup> /min] [CFM]	Max. static pressure [Pa] [inchH <sub>2</sub> O]	SPL [dB (A)]	Operating temperature [°C]	Expected life [h]
9LG0912P4J001	12	10.8 to 13.2	100	0.42	5.04	5000	2.2 77.7	105 0.42	44	-20 to +70	180000/60°C (215000/40°C)
9LG0912P4G001			100	0.3	3.6	4400	1.93 68.2	81 0.33	40		
9LG0912P4S001			100	0.22	2.64	3850	1.69 59.7	62.1 0.25	37		
9LG0912P4H001			100	0.15	1.8	3150	1.38 48.7	41.6 0.17	32		
9LG0924P4J001	24	21.6 to 26.4	100	0.21	5.04	5000	2.2 77.7	105 0.42	44		
9LG0924P4G001			100	0.15	3.6	4400	1.93 68.2	81 0.33	40		
9LG0924P4S001			100	0.11	2.64	3850	1.69 59.7	62.1 0.25	37		
9LG0924P4H001			100	0.07	1.68	3150	1.38 48.7	41.6 0.17	32		

\* PWM input frequency is 25 kHz; models without specifications at 0% PWM duty cycle have zero fan speed at 0%.

The following sensor and control options are available for selection.

Differs according to the model. Refer to the table on p. 608. Without sensor Pulse sensor Lock sensor

The models listed below **have pulse sensors.**

Model no.	Rated voltage [V]	Operating voltage range [V]	Rated current [A]	Rated input [W]	Rated speed [min <sup>-1</sup> ]	Max. airflow [m <sup>3</sup> /min] [CFM]	Max. static pressure [Pa] [inchH <sub>2</sub> O]	SPL [dB (A)]	Operating temperature [°C]	Expected life [h]
9LG0912F4001	12	10.2 to 13.8	0.1	1.2	2800	1.22 43.1	32.8 0.13	29	-20 to +70	180000/60°C (215000/40°C)
9LG0912M4001			0.08	0.96	2400	1.05 37.1	24.1 0.097	24		
9LG0912L4001			0.07	0.84	2000	0.87 30.7	16.7 0.067	19		
9LG0924F4001	24	20.4 to 27.6	0.05	1.2	2800	1.22 43.1	32.8 0.13	29		
9LG0924M4001			0.04	0.96	2400	1.05 37.1	24.1 0.097	24		
9LG0924L4001			0.03	0.72	2000	0.87 30.7	16.7 0.067	19		

The following sensor and control options are available for selection.

Available for all models. Without sensor Lock sensor

The mark indicates Short LeadTime Service applicable models. See p. 626 for details.

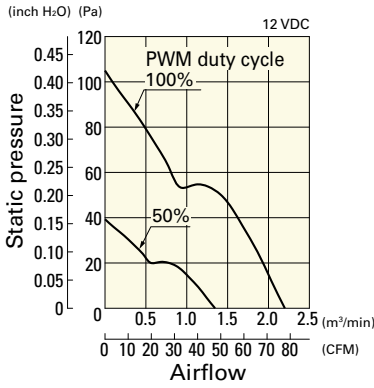
DC Long Life Fan 92 mm sq.



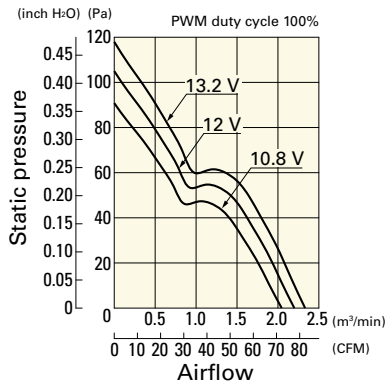
# Airflow - Static Pressure Characteristics / PWM Duty - Speed Characteristics Example

**9LG0912P4J001** With pulse sensor with PWM control function

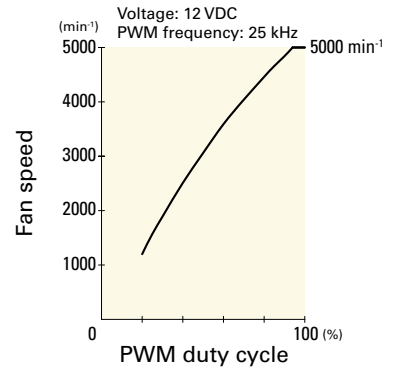
PWM duty cycle



Operating voltage range

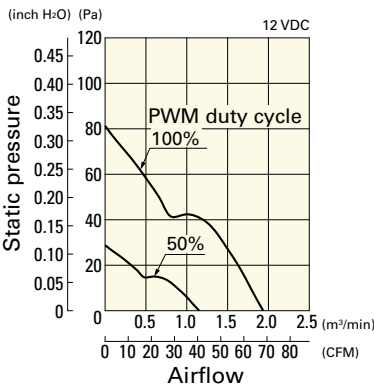


PWM duty - Speed characteristics example

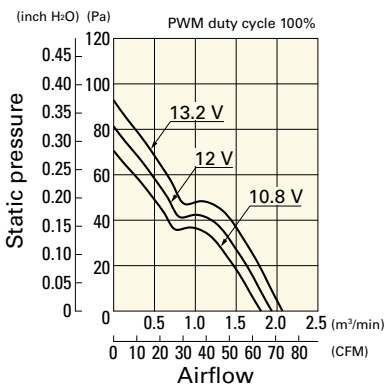


**9LG0912P4G001** With pulse sensor with PWM control function

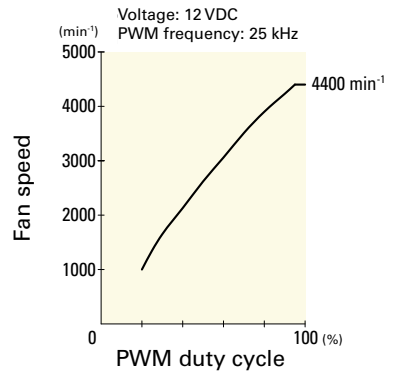
PWM duty cycle



Operating voltage range

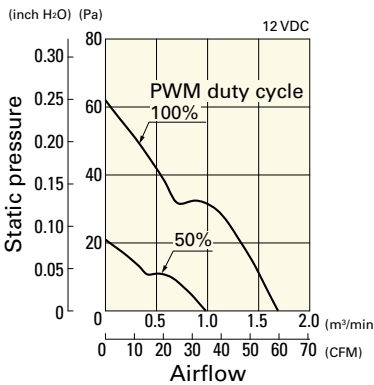


PWM duty - Speed characteristics example

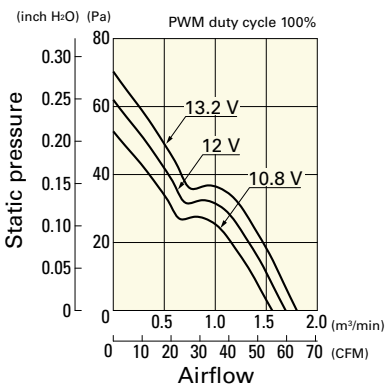


**9LG0912P4S001** With pulse sensor with PWM control function

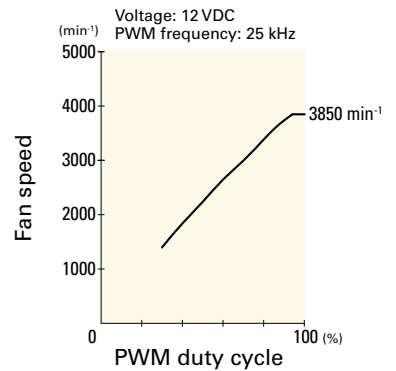
PWM duty cycle



Operating voltage range

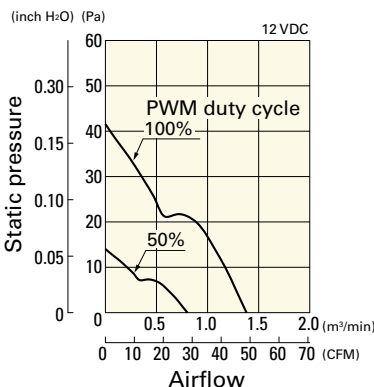


PWM duty - Speed characteristics example

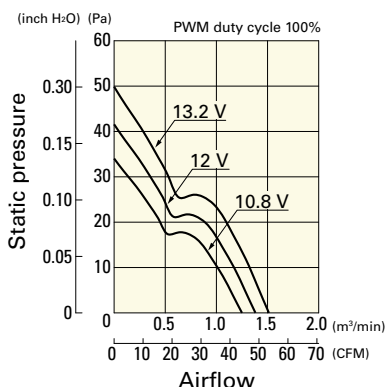


**9LG0912P4H001** With pulse sensor with PWM control function

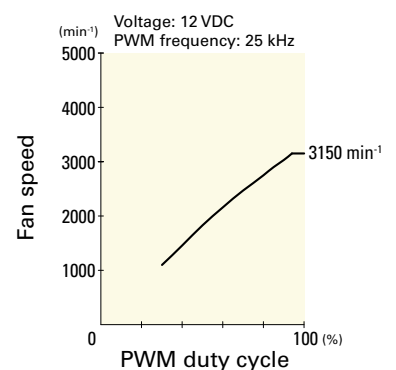
PWM duty cycle



Operating voltage range



PWM duty - Speed characteristics example

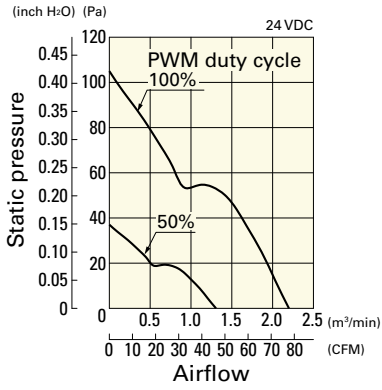


DC  
Long Life Fan 92 mm sq.

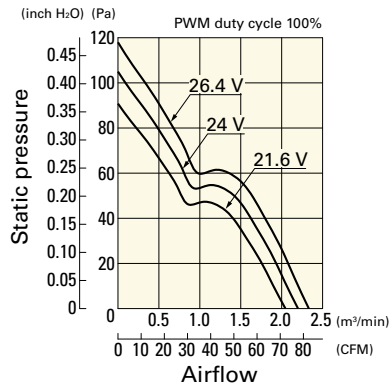
# Airflow - Static Pressure Characteristics / PWM Duty - Speed Characteristics Example

**9LG0924P4J001** With pulse sensor with PWM control function

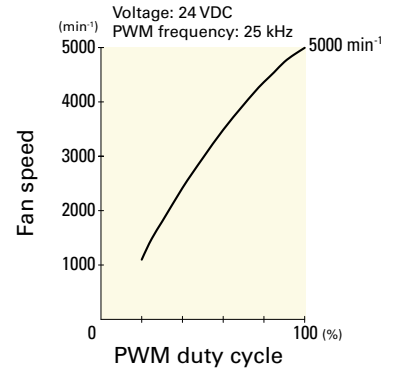
PWM duty cycle



Operating voltage range

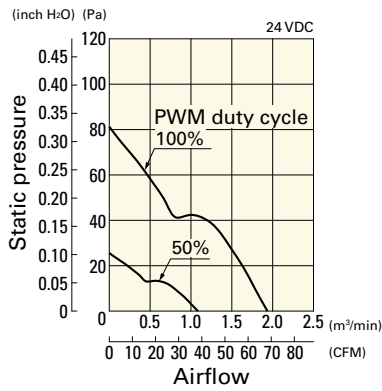


PWM duty - Speed characteristics example

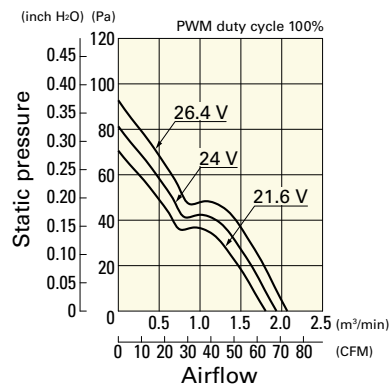


**9LG0924P4G001** With pulse sensor with PWM control function

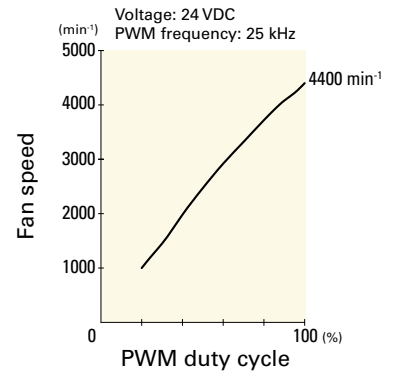
PWM duty cycle



Operating voltage range

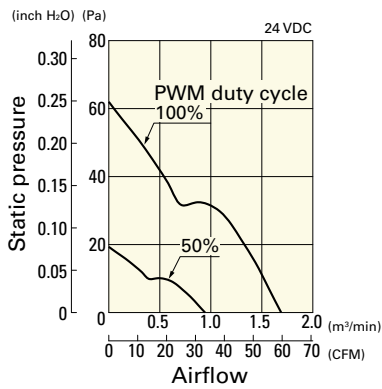


PWM duty - Speed characteristics example

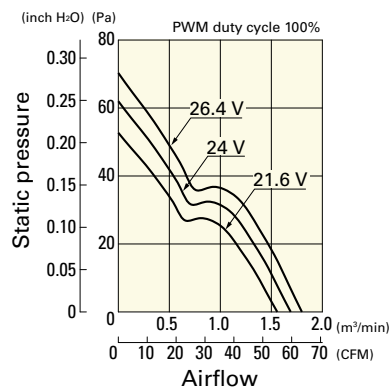


**9LG0924P4S001** With pulse sensor with PWM control function

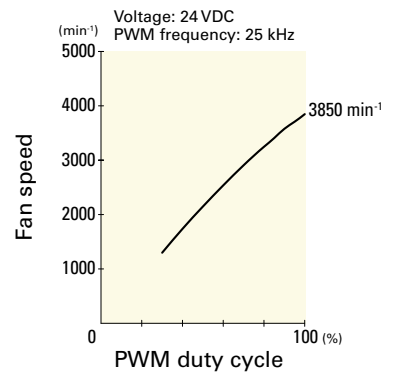
PWM duty cycle



Operating voltage range

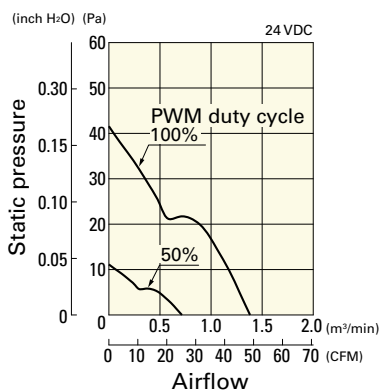


PWM duty - Speed characteristics example

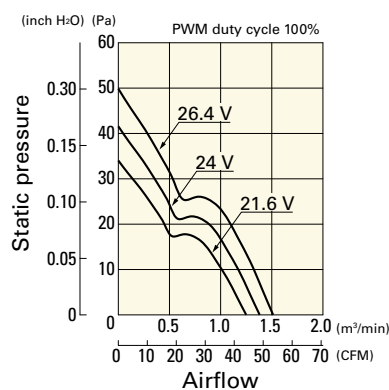


**9LG0924P4H001** With pulse sensor with PWM control function

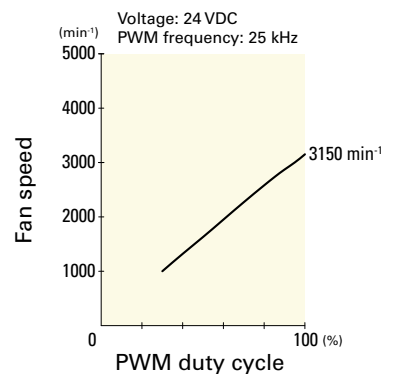
PWM duty cycle



Operating voltage range



PWM duty - Speed characteristics example

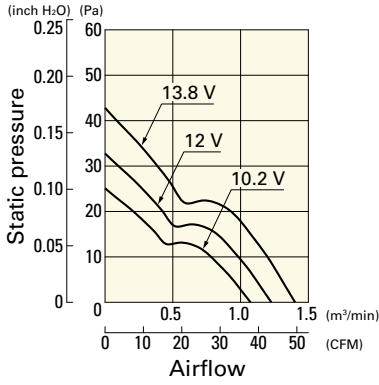


DC Long Life Fan 92 mm sq.

## Airflow - Static Pressure Characteristics

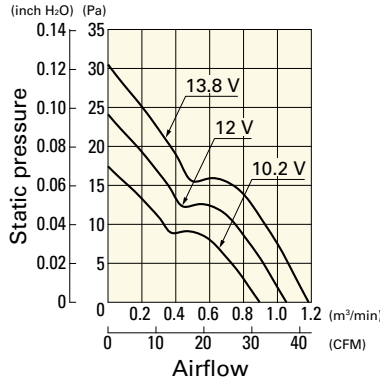
**9LG0912F4001** With pulse sensor

Operating voltage range



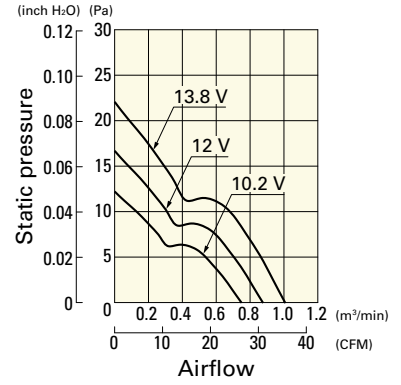
**9LG0912M4001** With pulse sensor

Operating voltage range



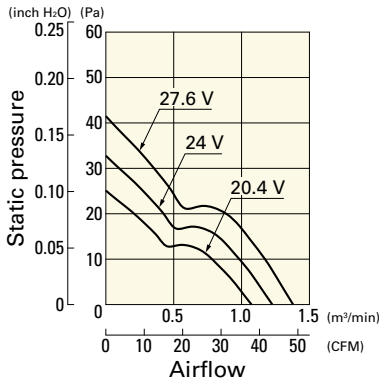
**9LG0912L4001** With pulse sensor

Operating voltage range



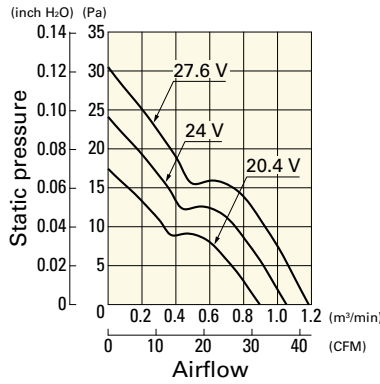
**9LG0924F4001** With pulse sensor

Operating voltage range



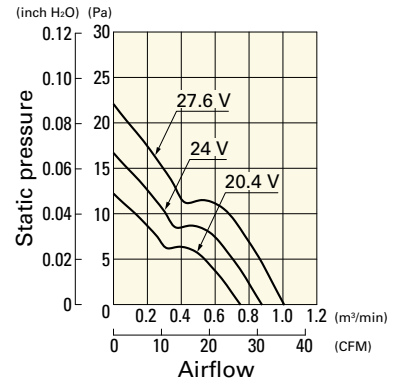
**9LG0924M4001** With pulse sensor

Operating voltage range

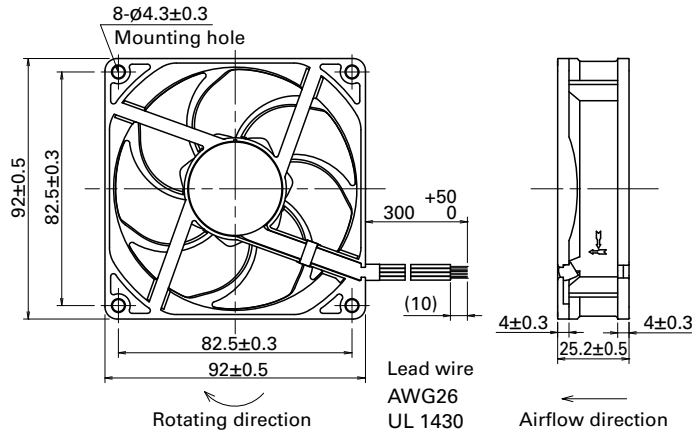


**9LG0924L4001** With pulse sensor

Operating voltage range

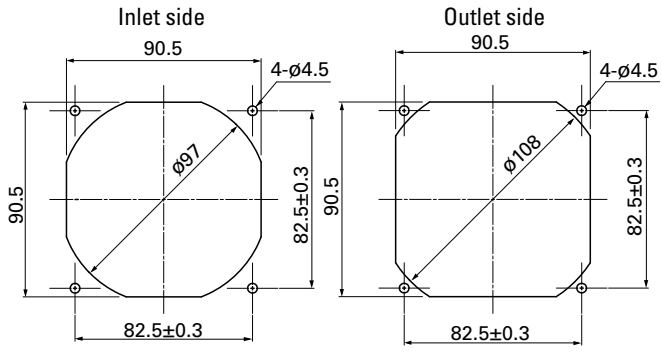


## Dimensions (unit: mm)



DC  
Long Life Fan 92 mm sq.

## Reference Dimensions of Mounting Holes and Vent Opening (unit: mm)



## Options

### Finger guards

page: p. 558

Model no.: 109-099E, 109-099H, 109-099C

### Resin finger guards

page: p. 565

Model no.: 109-1001G

### Resin filter kits

page: p. 566

Model no.: 109-1001F13 (13PPI), 109-1001F20 (20PPI),  
109-1001F30 (30PPI), 109-1001F40 (40PPI)

DC

Long Life Fan 92 mm sq.



# 92x92x38 mm

San Ace 92L 9LG type

## General Specifications

- Material ..... Frame: Aluminum, Impeller: Plastic (Flammability: UL 94V-1)
- Expected life ..... See the table below. (L10 life: 90% survival rate for continuous operation in free air at 60°C, rated voltage) Expected life at 40°C is for reference only.
- Motor protection function ..... Locked rotor burnout protection, Reverse polarity protection For details, please refer to p. 573.
- Dielectric strength ..... 50/60 Hz, 500 VAC, for 1 minute (between lead wire conductors and frame)
- Insulation resistance ..... 10 MΩ or more with a 500 VDC megger (between lead wire conductors and frame)
- Sound pressure level (SPL) ..... At 1 m away from the air inlet
- Storage temperature ..... -30 to +70°C (Non-condensing)
- Lead wire ..... ⊕Red ⊖Black  Sensor  Yellow  Control  Brown
- Mass ..... 270 g

## Specifications

The models listed below **have pulse sensors with PWM control function.**

Model no.	Rated voltage [V]	Operating voltage range [V]	PWM duty cycle* [%]	Rated current [A]	Rated input [W]	Rated speed [min <sup>-1</sup> ]	Max. airflow [m <sup>3</sup> /min] [CFM]	Max. static pressure [Pa] [inchH <sub>2</sub> O]	SPL [dB (A)]	Operating temperature [°C]	Expected life [h]
9LG0912P1H001	12	10.2 to 13.8	100	2.0	24.0	9000	3.7 130.6	430 1.72	61	-20 to +70	180000/60°C (215000/40°C)
			20	0.18	2.16	2700	1.11 39.1	38.7 0.15	30		
9LG0912P1F001	12	10.2 to 13.8	100	1.0	12.0	7000	2.9 102.4	263 1.05	55		
			20	0.11	1.32	2000	0.83 29.3	21.5 0.08	22		
9LG0924P1H001	24	20.4 to 27.6	100	0.9	21.6	9000	3.7 130.6	430 1.72	61		
			20	0.08	1.92	2700	1.11 39.1	38.7 0.15	30		
9LG0924P1F001	24	20.4 to 27.6	100	0.5	12.0	7000	2.9 102.4	263 1.05	55		
			20	0.06	1.44	2000	0.83 29.3	21.5 0.08	22		

\* PWM input frequency is 25 kHz; models without specifications at 0% PWM duty cycle have zero fan speed at 0%.

The following sensor and control options are available for selection.

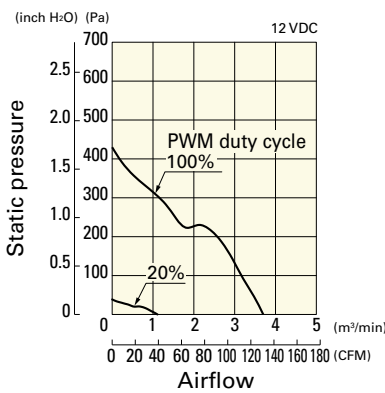
Differs according to the model. Refer to the table on p. 608. **Lock sensor**

The mark indicates Short Lead Time Service applicable models. See p. 626 for details.

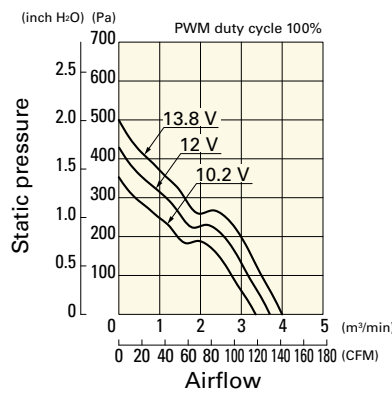
## Airflow - Static Pressure Characteristics / PWM Duty - Speed Characteristics Example

**9LG0912P1H001** With pulse sensor with PWM control function

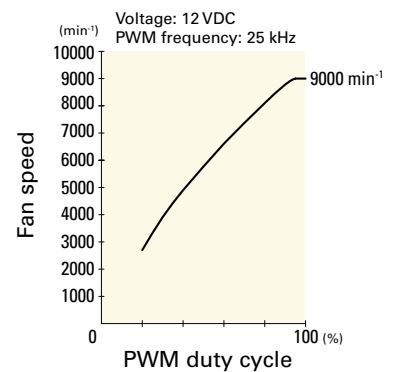
PWM duty cycle



Operating voltage range



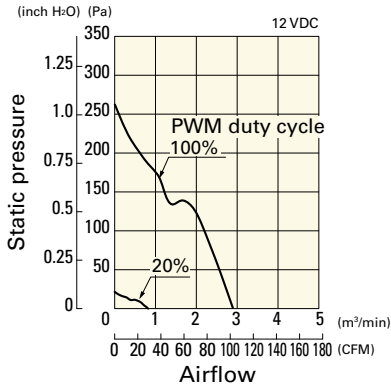
PWM duty - Speed characteristics example



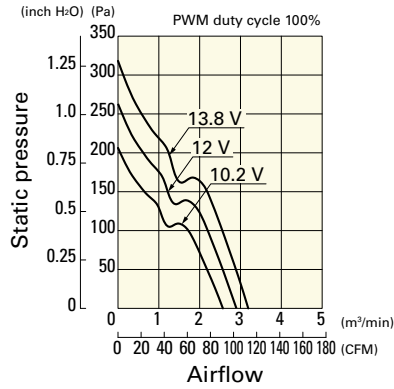
# Airflow - Static Pressure Characteristics / PWM Duty - Speed Characteristics Example

**9LG0912P1F001** With pulse sensor with PWM control function

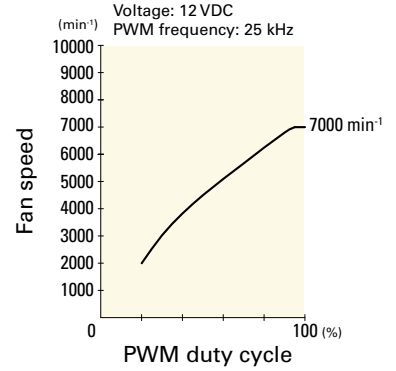
PWM duty cycle



Operating voltage range

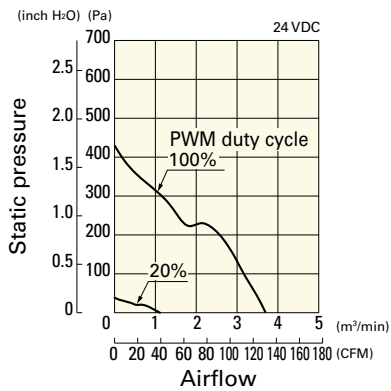


PWM duty - Speed characteristics example

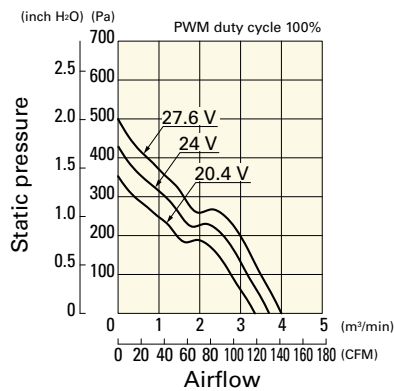


**9LG0924P1H001** With pulse sensor with PWM control function

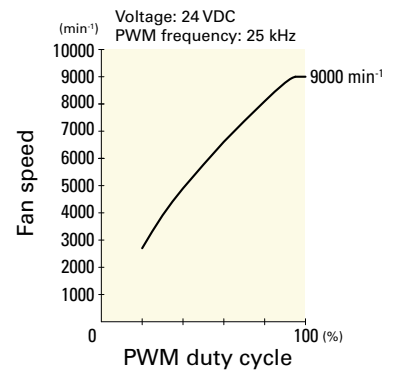
PWM duty cycle



Operating voltage range

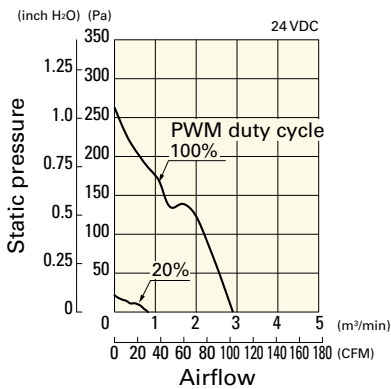


PWM duty - Speed characteristics example

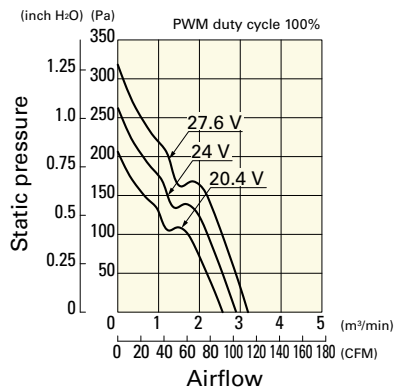


**9LG0924P1F001** With pulse sensor with PWM control function

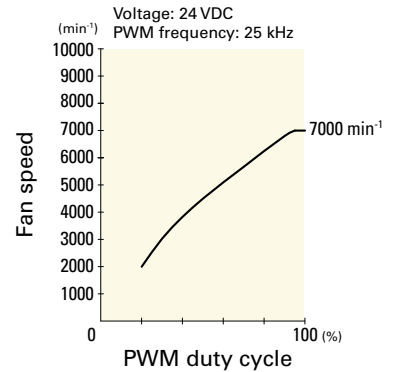
PWM duty cycle



Operating voltage range

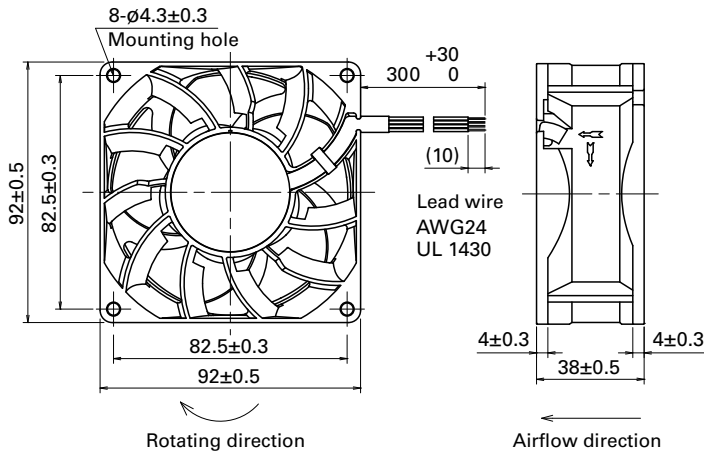


PWM duty - Speed characteristics example

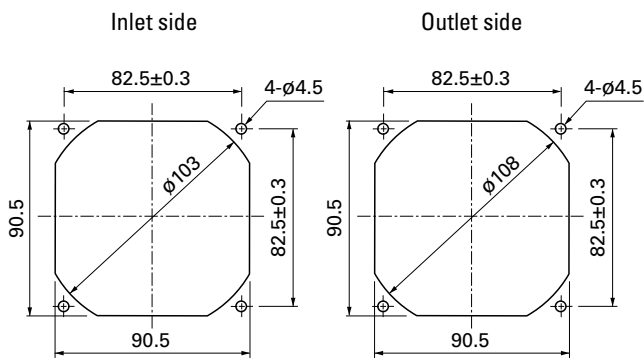


DC Long Life Fan 92 mm sq.

## Dimensions (unit: mm)



## Reference Dimensions of Mounting Holes and Vent Opening (unit: mm)



## Options

### Finger guards

page: p. 558

Model no.: 109-099E, 109-099H, 109-099C

### Resin finger guards

page: p. 565

Model no.: 109-1001G

### Resin filter kits

page: p. 566

Model no.: 109-1001F13 (13PPI), 109-1001F20 (20PPI),  
109-1001F30 (30PPI), 109-1001F40 (40PPI)



# 120×120×38 mm

San Ace 120L 9LG type

## General Specifications

- Material ..... Frame: Aluminum, Impeller: Plastic (Flammability: UL 94V-1)
- Expected life ..... See the table below. (L10 life: 90% survival rate for continuous operation in free air at 60°C, rated voltage)  
Expected life at 40°C is for reference only.
- Motor protection function ..... Locked rotor burnout protection, Reverse polarity protection  
For details, please refer to p. 573.
- Dielectric strength ..... 50/60 Hz, 500 VAC, for 1 minute (between lead wire conductors and frame)
- Insulation resistance ..... 10 MΩ or more with a 500 VDC megger (between lead wire conductors and frame)
- Sound pressure level (SPL) ..... At 1 m away from the air inlet
- Storage temperature ..... -30 to +70°C (Non-condensing)
- Lead wire ..... ⊕Red ⊖Black (Sensor) Yellow (Control) Brown  
(For models without PWM control function, there is no speed control wiring.)
- Mass ..... 420 g

## Specifications

The models listed below **have pulse sensors with PWM control function.**

Model no.	Rated voltage [V]	Operating voltage range [V]	PWM duty cycle [%]	Rated current [A]	Rated input [W]	Rated speed [min <sup>-1</sup> ]	Max. airflow [m <sup>3</sup> /min] [CFM]	Max. static pressure [Pa] [inchH <sub>2</sub> O]	SPL [dB (A)]	Operating temperature [°C]	Expected life [h]	
9LG1212P1G001	12	8.0 to 13.8	100	3.2	38.4	6550	7.0 247.1	370 1.48	62	-20 to +70	180000/60°C (215000/40°C)	
			20	0.24	2.88	2000	2.13 75.2	34.4 0.13	36			
			9LG1212P1S001	100	2.2	26.4	5600	6.0 211.8	270 1.08			58
				20	0.24	2.88	2000	2.13 75.2	34.4 0.13			36
			9LG1212P1H001	100	1.4	16.8	4700	5.0 176.5	190 0.76			54
				20	0.24	2.88	2000	2.13 75.2	34.4 0.13			36
9LG1224P1G001	24	15 to 30	100	1.6	38.4	6550	7.0 247.1	370 1.48	62			
			20	0.12	2.88	2000	2.13 75.2	34.4 0.13	36			
			9LG1224P1S001	100	1.1	26.4	5600	6.0 211.8	270 1.08			58
				20	0.12	2.88	2000	2.13 75.2	34.4 0.13			36
			9LG1224P1H001	100	0.7	16.8	4700	5.0 176.5	190 0.76			54
				20	0.12	2.88	2000	2.13 75.2	34.4 0.13			36
9LG1248P1G001	48	36 to 60	100	0.8	38.4	6550	7.0 247.1	370 1.48	62			
			20	0.08	3.84	2000	2.13 75.2	34.4 0.13	36			
			9LG1248P1S001	100	0.55	26.4	5600	6.0 211.8	270 1.08			58
				20	0.08	3.84	2000	2.13 75.2	34.4 0.13			36
			9LG1248P1H001	100	0.35	16.8	4700	5.0 176.5	190 0.76			54
				20	0.08	3.84	2000	2.13 75.2	34.4 0.13			36

\* PWM input frequency is 25 kHz; models without specifications at 0% PWM duty cycle have zero fan speed at 0%.

The following sensor and control options are available for selection.

Differs according to the model. Refer to the table on pp. 608 to 609. Without sensor Pulse sensor Lock sensor

The models listed below **have pulse sensors.**

Model no.	Rated voltage [V]	Operating voltage range [V]	Rated current [A]	Rated input [W]	Rated speed [min <sup>-1</sup> ]	Max. airflow [m <sup>3</sup> /min] [CFM]	Max. static pressure [Pa] [inchH <sub>2</sub> O]	SPL [dB (A)]	Operating temperature [°C]	Expected life [h]
9LG1212F1001	12	8 to 13.8	0.39	4.68	2800	3 106	67.6 0.27	39	-20 to +70	180000/60°C (215000/40°C)
9LG1212M1001			0.22	2.64	2100	2.2 77.7	37.9 0.15	33		
9LG1224A1001	24	15 to 30	0.37	8.88	3700	3.9 137.8	117.8 0.47	48		
9LG1224F1001			0.19	4.56	2800	3 106	67.6 0.27	39		
9LG1224M1001			0.11	2.64	2100	2.2 77.7	37.9 0.15	33		
9LG1248F1001	48	36 to 60	0.11	5.28	2800	3 106	67.6 0.27	39		
9LG1248M1001			0.07	3.36	2100	2.2 77.7	37.9 0.15	33		

The following sensor and control options are available for selection.

Available for all models. Without sensor Lock sensor

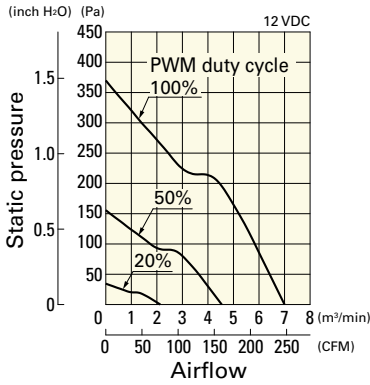
The mark indicates Short Lead Time Service applicable models. See p. 626 for details.



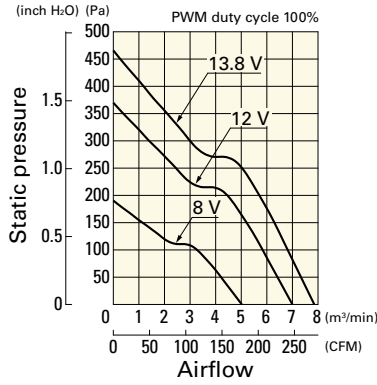
# Airflow - Static Pressure Characteristics / PWM Duty - Speed Characteristics Example

**9LG1212P1G001** With pulse sensor with PWM control function

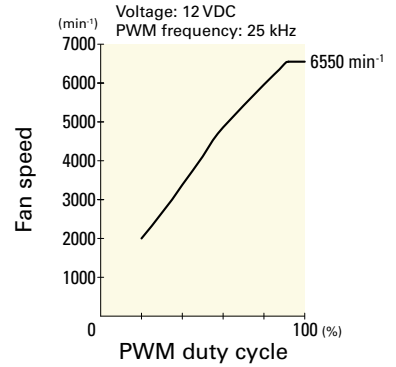
PWM duty cycle



Operating voltage range

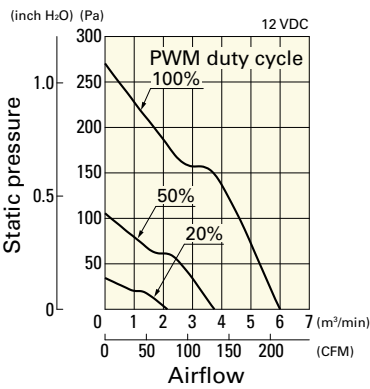


PWM duty - Speed characteristics example

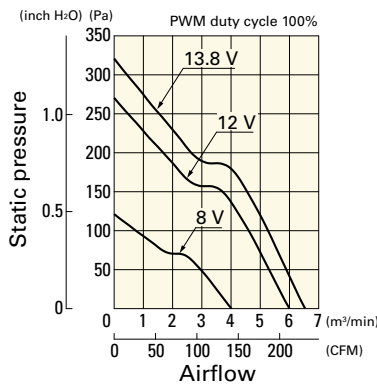


**9LG1212P1S001** With pulse sensor with PWM control function

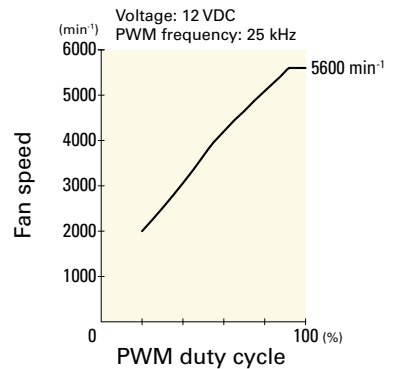
PWM duty cycle



Operating voltage range

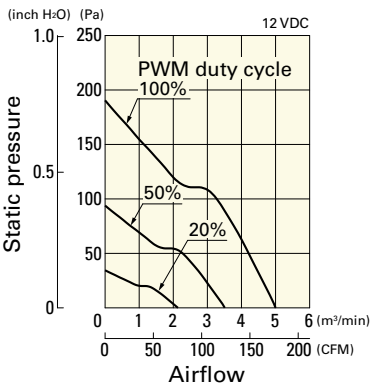


PWM duty - Speed characteristics example

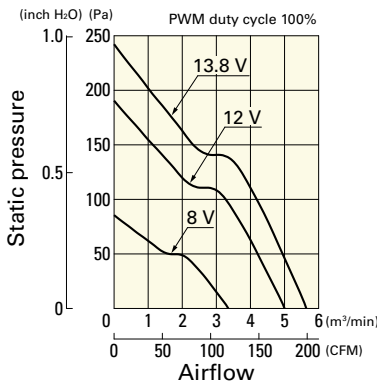


**9LG1212P1H001** With pulse sensor with PWM control function

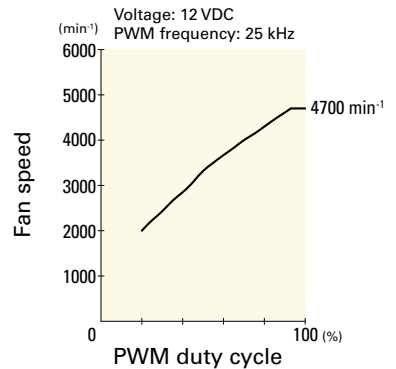
PWM duty cycle



Operating voltage range

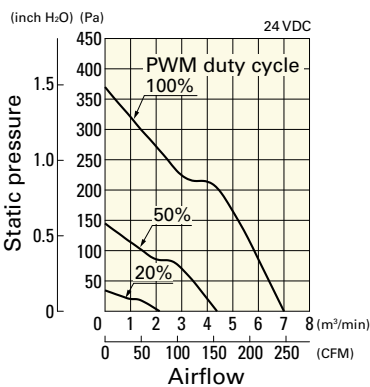


PWM duty - Speed characteristics example

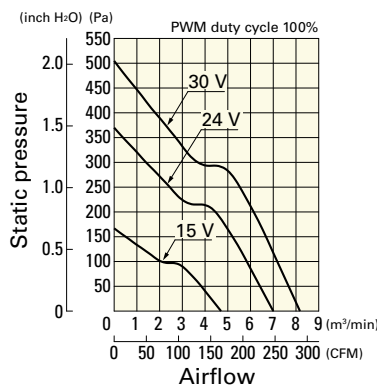


**9LG1224P1G001** With pulse sensor with PWM control function

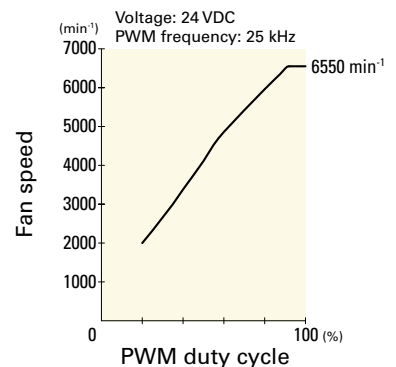
PWM duty cycle



Operating voltage range



PWM duty - Speed characteristics example

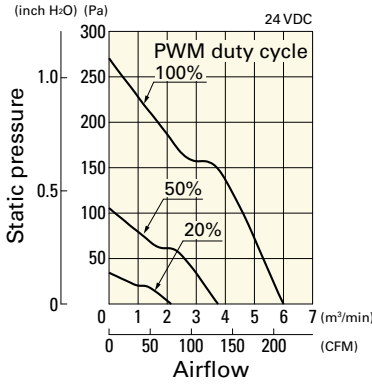


DC  
Long Life Fan 120 mm sq.

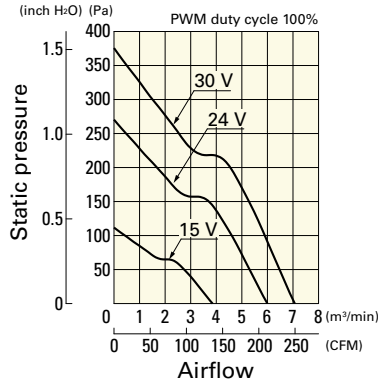
## Airflow - Static Pressure Characteristics / PWM Duty - Speed Characteristics Example

**9LG1224P1S001** With pulse sensor with PWM control function

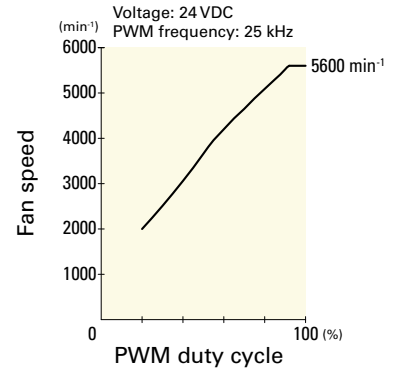
PWM duty cycle



Operating voltage range

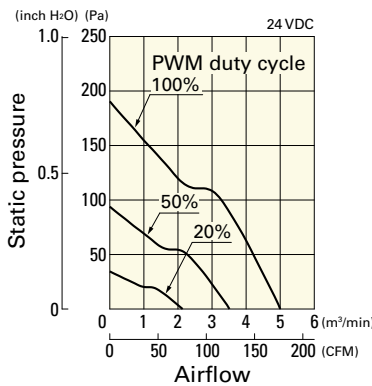


PWM duty - Speed characteristics example

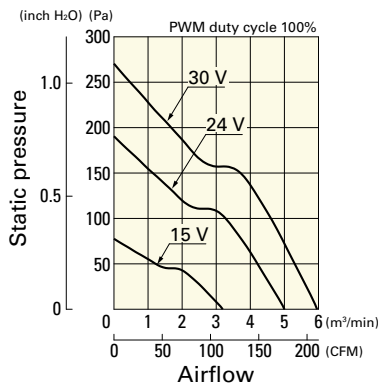


**9LG1224P1H001** With pulse sensor with PWM control function

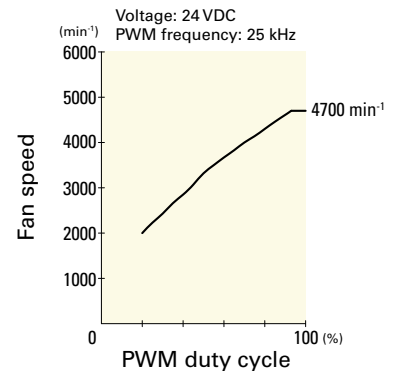
PWM duty cycle



Operating voltage range

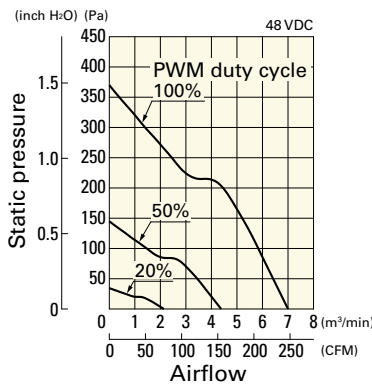


PWM duty - Speed characteristics example

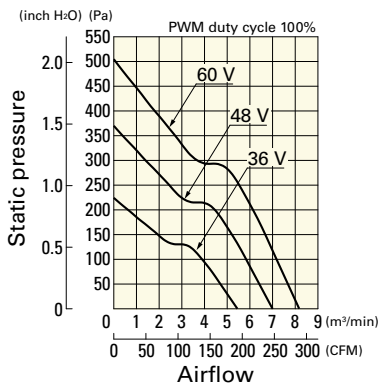


**9LG1248P1G001** With pulse sensor with PWM control function

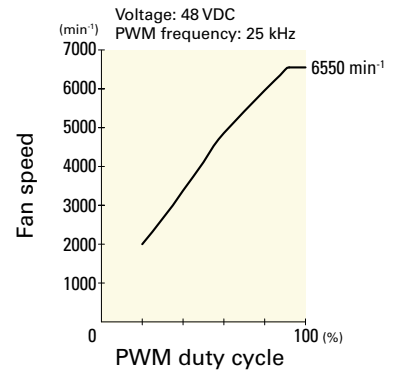
PWM duty cycle



Operating voltage range

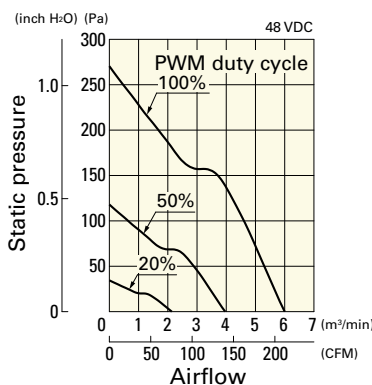


PWM duty - Speed characteristics example

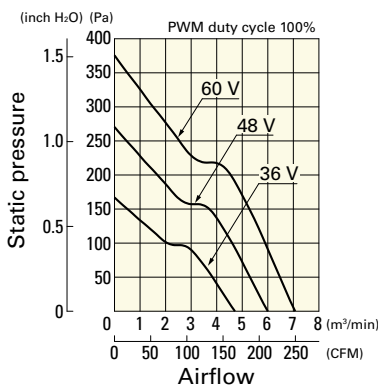


**9LG1248P1S001** With pulse sensor with PWM control function

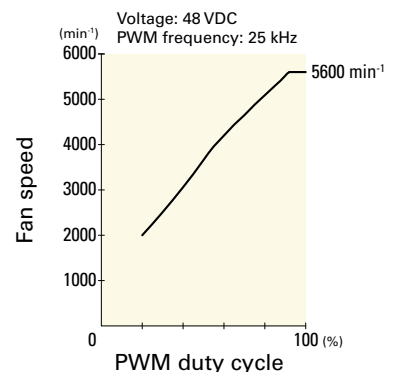
PWM duty cycle



Operating voltage range



PWM duty - Speed characteristics example

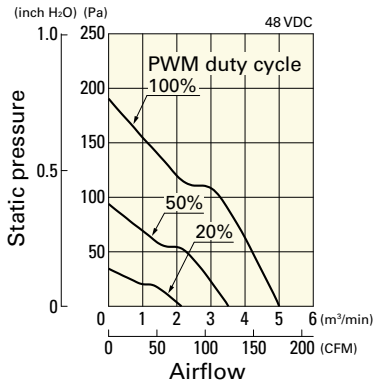


DC Long Life Fan 120 mm sq.

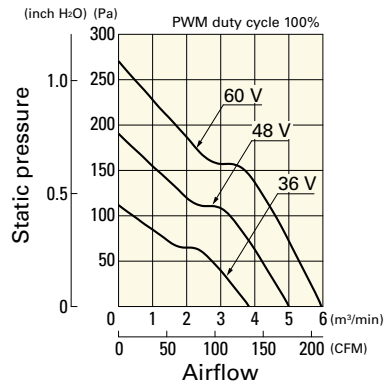
## Airflow - Static Pressure Characteristics / PWM Duty - Speed Characteristics Example

**9LG1248P1H001** With pulse sensor with PWM control function

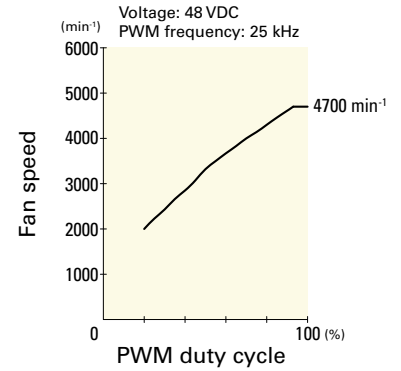
PWM duty cycle



Operating voltage range



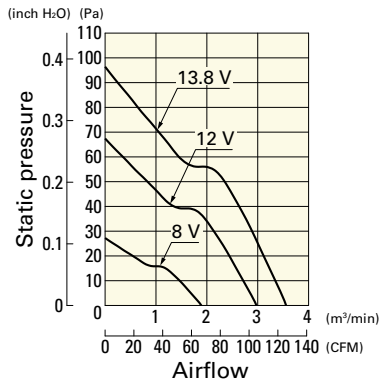
PWM duty - Speed characteristics example



## Airflow - Static Pressure Characteristics

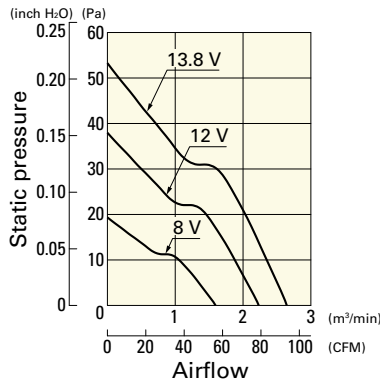
**9LG1212F1001** With pulse sensor

Operating voltage range



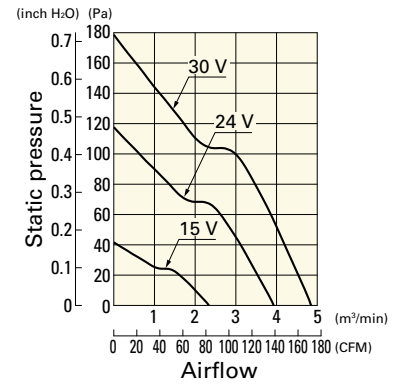
**9LG1212M1001** With pulse sensor

Operating voltage range



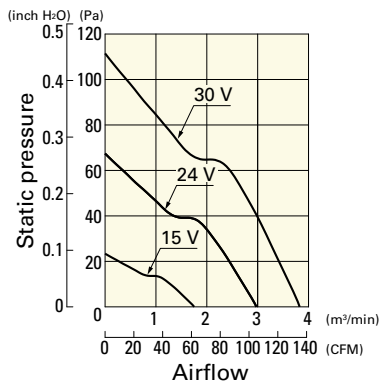
**9LG1224A1001** With pulse sensor

Operating voltage range



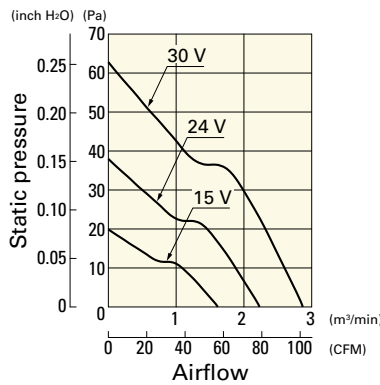
**9LG1224F1001** With pulse sensor

Operating voltage range



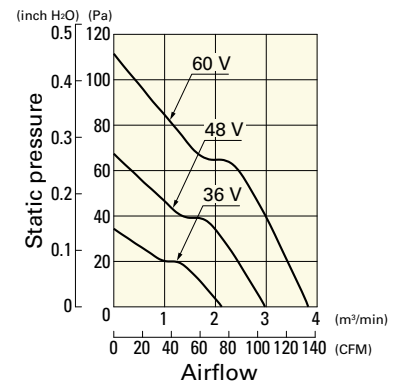
**9LG1224M1001** With pulse sensor

Operating voltage range



**9LG1248F1001** With pulse sensor

Operating voltage range



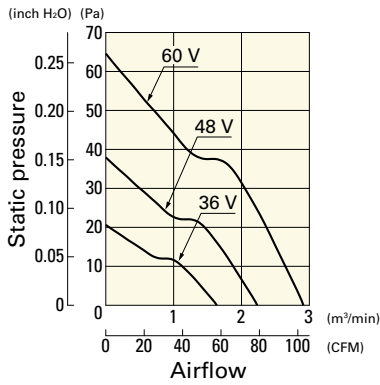
DC

Long Life Fan 120 mm sq.

## Airflow - Static Pressure Characteristics

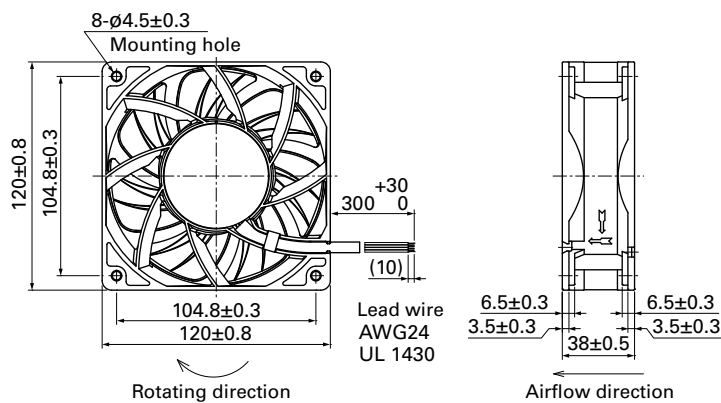
**9LG1248M1001** With pulse sensor

Operating voltage range

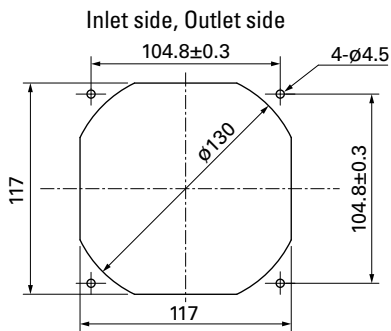


DC  
Long Life Fan 120 mm sq.

## Dimensions (unit: mm)



## Reference Dimensions of Mounting Holes and Vent Opening (unit: mm)



## Options

Finger guards

page: p. 559

Model no.: 109-019E, 109-019K, 109-019C, 109-019H

Resin finger guards

page: p. 565

Model no.: 109-1000G

Resin filter kits

page: p. 566

Model no.: 109-1000F13 (13PPI), 109-1000F20 (20PPI),  
109-1000F30 (30PPI), 109-1000F40 (40PPI)



# 120×120×38 mm

San Ace 120L 9GL type

## General Specifications

- Material ..... Frame: Aluminum, Impeller: Plastic (Flammability: UL 94V-1)
- Expected life ..... See the table below. (L10 life: 90% survival rate for continuous operation in free air at 60°C, rated voltage)  
Expected life at 40°C is for reference only.
- Motor protection function ..... Locked rotor burnout protection, Reverse polarity protection  
For details, please refer to p. 573.
- Dielectric strength ..... 50/60 Hz, 500 VAC, for 1 minute (between lead wire conductors and frame)
- Insulation resistance ..... 10 MΩ or more with a 500 VDC megger (between lead wire conductors and frame)
- Sound pressure level (SPL) ..... At 1 m away from the air inlet
- Storage temperature ..... -30 to +70°C (Non-condensing)
- Lead wire ..... ⊕Red ⊖Black or Blue  Sensor Yellow
- Mass ..... 370 g

## Specifications

The models listed below **have pulse sensors**.

Model no.	Rated voltage [V]	Operating voltage range [V]	Rated current [A]	Rated input [W]	Rated speed [min <sup>-1</sup> ]	Max. airflow [m <sup>3</sup> /min] [CFM]	Max. static pressure [Pa] [inchH <sub>2</sub> O]	SPL [dB (A)]	Operating temperature [°C]	Expected life [h]
9GL1212G101	12	10.2 to 13.8	0.98	11.8	3600	3.88 137	135 0.542	49	-20 to +70	80000/60°C (115000/40°C)
9GL1212E101			0.61	7.32	3100	3.34 118	100 0.402	46		
9GL1212H101		7 to 13.8	0.38	4.56	2600	2.8 99	70.4 0.283	39		100000/60°C (135000/40°C)
9GL1212F101			0.28	3.36	2280	2.45 87	54.2 0.218	36		
9GL1212M101			0.21	2.52	1950	2.1 74	39.6 0.159	32		
9GL1224G101			24	20.4 to 27.6	0.5	12.0	3600	3.88 137		
9GL1224E101	0.34	8.16			3100	3.34 118	100 0.402	46		
9GL1224H101	14 to 27.6	0.22		5.28	2600	2.8 99	70.4 0.283	39		100000/60°C (135000/40°C)
9GL1224F101		0.16		3.84	2280	2.45 87	54.2 0.218	36		
9GL1224M101		0.11		2.64	1950	2.1 74	39.6 0.159	32		
9GL1248G101		48		40.8 to 55.2	0.25	12.0	3600	3.88 137		
9GL1248E101	0.17		8.16		3100	3.34 118	100 0.402	46		
9GL1248H101	0.11		5.28		2600	2.8 99	70.4 0.283	39	100000/60°C (135000/40°C)	
9GL1248F101	0.09		4.32		2280	2.45 87	54.2 0.218	36		
9GL1248M101	0.07		3.36		1950	2.1 74	39.6 0.159	32		

The following sensor and control options are available for selection.

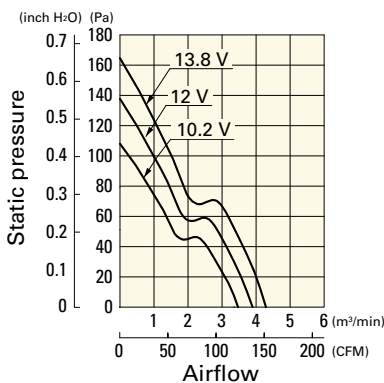
Available for all models.  Without sensor  Lock sensor

The mark indicates Short LeadTime Service applicable models. See p. 626 for details.

## Airflow - Static Pressure Characteristics

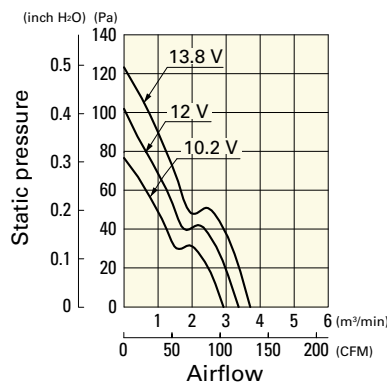
9GL1212G101 With pulse sensor

Operating voltage range



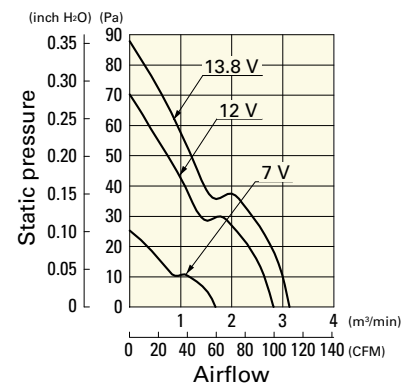
9GL1212E101 With pulse sensor

Operating voltage range



9GL1212H101 With pulse sensor

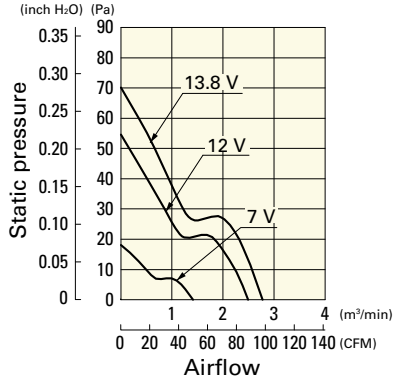
Operating voltage range



## Airflow - Static Pressure Characteristics

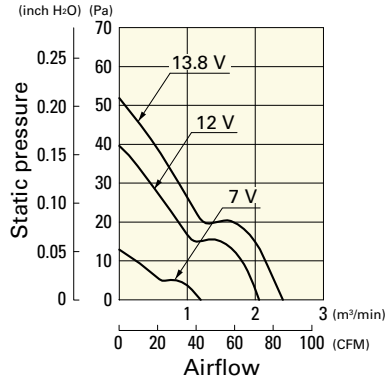
**9GL1212F101** With pulse sensor

Operating voltage range



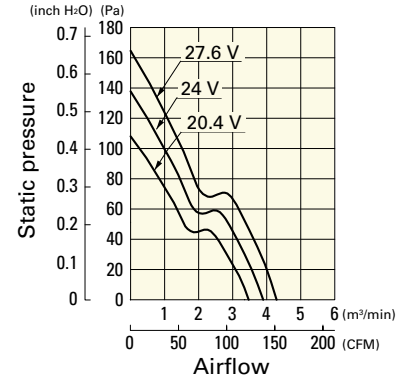
**9GL1212M101** With pulse sensor

Operating voltage range



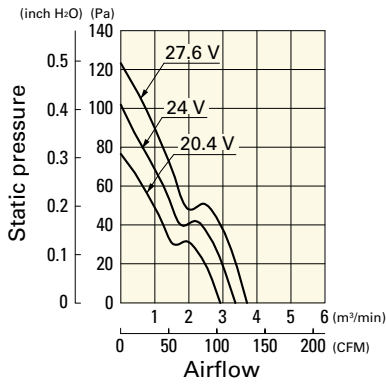
**9GL1224G101** With pulse sensor

Operating voltage range



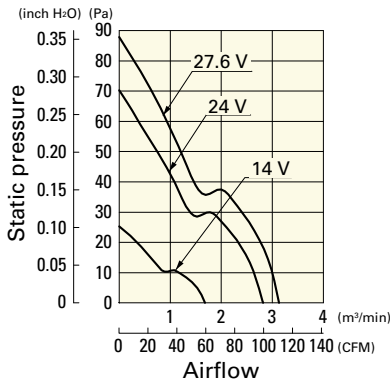
**9GL1224E101** With pulse sensor

Operating voltage range



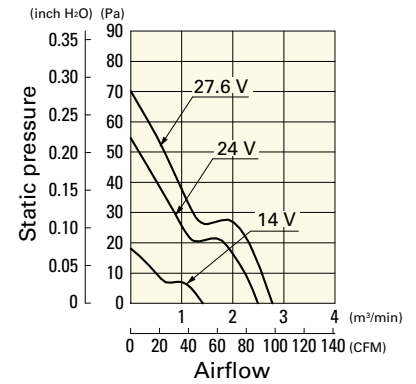
**9GL1224H101** With pulse sensor

Operating voltage range



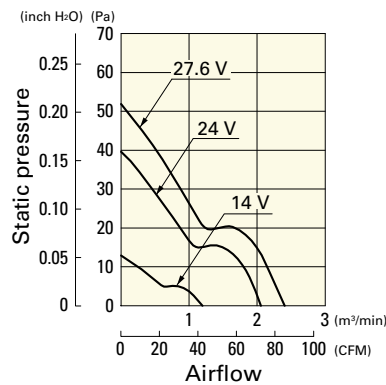
**9GL1224F101** With pulse sensor

Operating voltage range



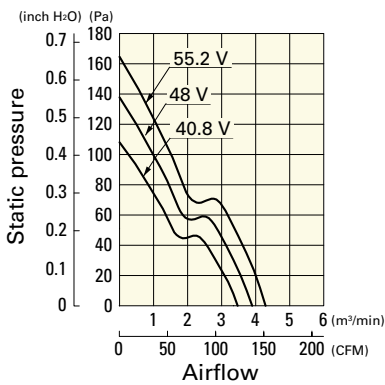
**9GL1224M101** With pulse sensor

Operating voltage range



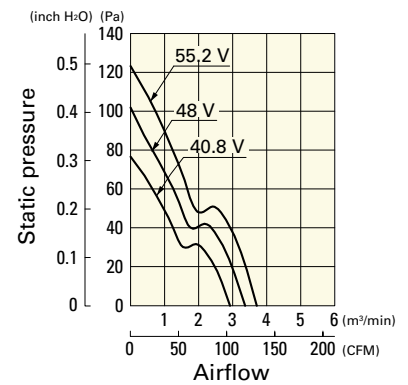
**9GL1248G101** With pulse sensor

Operating voltage range



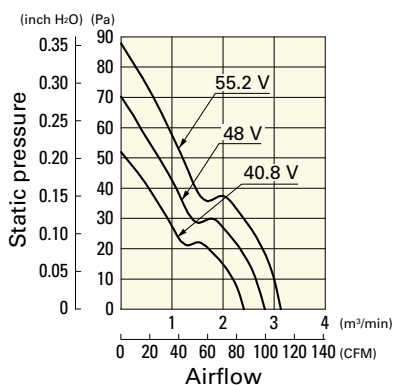
**9GL1248E101** With pulse sensor

Operating voltage range



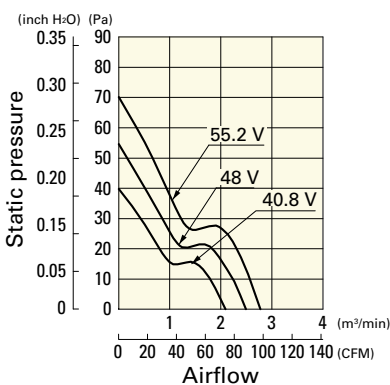
**9GL1248H101** With pulse sensor

Operating voltage range



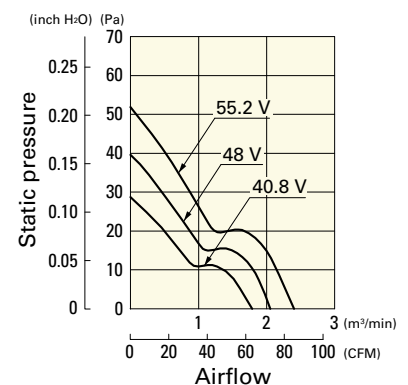
**9GL1248F101** With pulse sensor

Operating voltage range



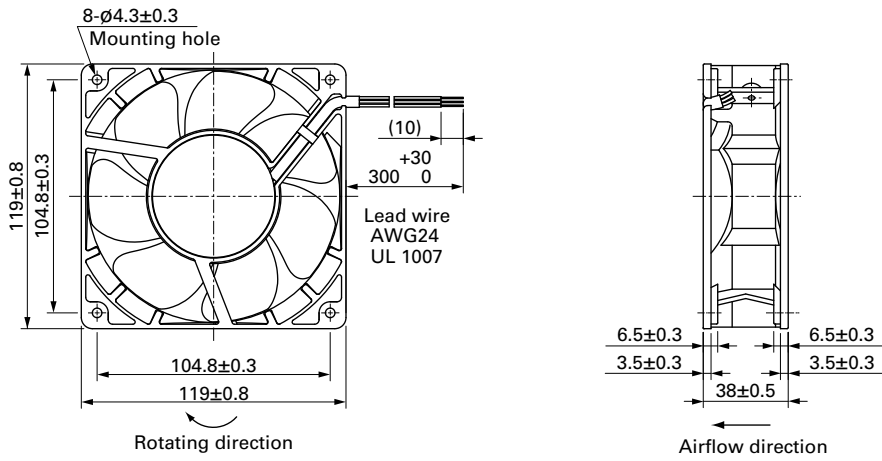
**9GL1248M101** With pulse sensor

Operating voltage range

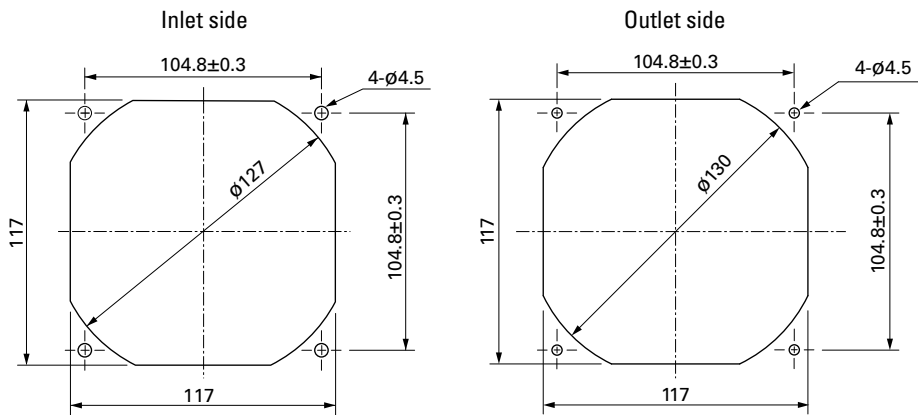


DC Long Life Fan 120 mm sq.

## Dimensions (unit: mm)



## Reference Dimensions of Mounting Holes and Vent Opening (unit: mm)



## Options

### Finger guards

page: p. 559

Model no.: 109-019E, 109-019K, 109-019C, 109-019H

### Resin finger guards

page: p. 565

Model no.: 109-1000G

### Resin filter kits

page: p. 566

Model no.: 109-1000F13 (13PPI), 109-1000F20 (20PPI),  
109-1000F30 (30PPI), 109-1000F40 (40PPI)



# 140x140x38 mm

San Ace 140L 9LG type

## General Specifications

- Material ..... Frame: Aluminum (Black coating), Impeller: Plastic (Flammability: UL 94V-1)
- Expected life ..... See the table below. (L10 life: 90% survival rate for continuous operation in free air at 60°C, rated voltage) Expected life at 40°C is for reference only.
- Motor protection function ..... Locked rotor burnout protection, Reverse polarity protection  
For details, please refer to p. 573.
- Dielectric strength ..... 50/60 Hz, 500 VAC, for 1 minute (between lead wire conductors and frame)
- Insulation resistance ..... 10 MΩ or more with a 500 VDC megger (between lead wire conductors and frame)
- Sound pressure level (SPL) ..... At 1 m away from the air inlet
- Storage temperature ..... -30 to +70°C (Non-condensing)
- Lead wire ..... ⊕Red ⊖Black (Sensor) Yellow (Control) Brown  
(For models without PWM control function, there is no speed control wiring.)
- Mass ..... 640 g

## Specifications

The models listed below **have pulse sensors with PWM control function.**

Model no.	Rated voltage [V]	Operating voltage range [V]	PWM duty cycle [%]	Rated current [A]	Rated input [W]	Rated speed [min <sup>-1</sup> ]	Max. airflow [m <sup>3</sup> /min] [CFM]	Max. static pressure [Pa] [inchH <sub>2</sub> O]	SPL [dB (A)]	Operating temperature [°C]	Expected life [h]		
9LG1412P1A001	12	10.2 to 13.8	100	3.72	44.64	6900	8.0 282	516 2.07	68	-20 to +70	180000/60°C (215000/40°C)		
			20	0.27	3.24	2300	2.66 93	80 0.32	39				
9LG1412P1H001			100	1.7	20.4	5200	6.0 212	300 1.2	62				
			20	0.27	3.24	2300	2.66 93	80 0.32	39				
9LG1412P1M001			100	0.6	7.2	3300	3.7 130	170 0.68	46				
			20	0.16	1.92	1300	1.45 51	26 0.1	29				
9LG1424P1A001			24	20.4 to 27.6	100	1.86	44.64	6900	8.0 282			516 2.07	68
					20	0.17	4.08	2300	2.66 93			80 0.32	39
9LG1424P1H001					100	0.85	20.4	5200	6.0 212			300 1.2	62
					20	0.16	3.84	2300	2.66 93			80 0.32	39
9LG1424P1M001					100	0.3	7.2	3300	3.7 130			170 0.68	46
					20	0.11	2.64	1300	1.45 51			26 0.1	29
9LG1448P1A001	48	40.8 to 55.2			100	0.92	44.16	6900	8.0 282	516 2.07	68		
					20	0.11	5.28	2300	2.66 93	80 0.32	39		
9LG1448P1H001					100	0.42	20.16	5200	6.0 212	300 1.2	62		
					20	0.11	5.28	2300	2.66 93	80 0.32	39		
9LG1448P1M001					100	0.15	7.2	3300	3.7 130	170 0.68	46		
					20	0.09	4.32	1300	1.45 51	26 0.1	29		

\* PWM input frequency is 25 kHz; models without specifications at 0% PWM duty cycle have zero fan speed at 0%.

The following sensor and control options are available for selection.

Differs according to the model. Refer to the table on p. 609. **Without sensor** **Pulse sensor** **Lock sensor**

The models listed below **have pulse sensors.**

Model no.	Rated voltage [V]	Operating voltage range [V]	Rated current [A]	Rated input [W]	Rated speed [min <sup>-1</sup> ]	Max. airflow [m <sup>3</sup> /min] [CFM]	Max. static pressure [Pa] [inchH <sub>2</sub> O]	SPL [dB (A)]	Operating temperature [°C]	Expected life [h]
9LG1412L1001	12	10.2 to 13.8	0.27	3.3	2300	2.6 91.9	80 0.32	39	-20 to +70	180000/60°C (215000/40°C)
9LG1424L1001	24	20.4 to 27.6	0.17	4.1	2300	2.6 91.9	80 0.32	39		
9LG1448L1001	48	40.8 to 55.2	0.11	5.3	2300	2.6 91.9	80 0.32	39		

The following sensor and control options are available for selection.

Available for all models. **Without sensor**

Differs according to the model. Refer to the table on p. 609. **Lock sensor**

The mark indicates Short Lead Time Service applicable models. See p. 626 for details.

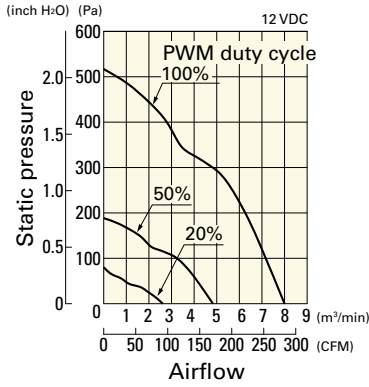
DC Long Life Fan 140 mm sq.



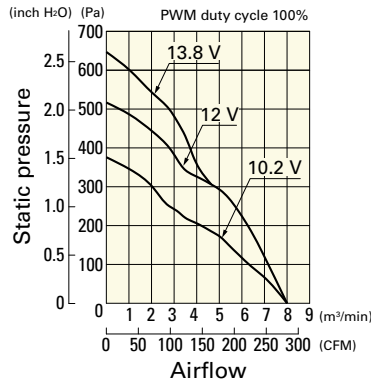
## Airflow - Static Pressure Characteristics / PWM Duty - Speed Characteristics Example

**9LG1412P1A001** With pulse sensor with PWM control function

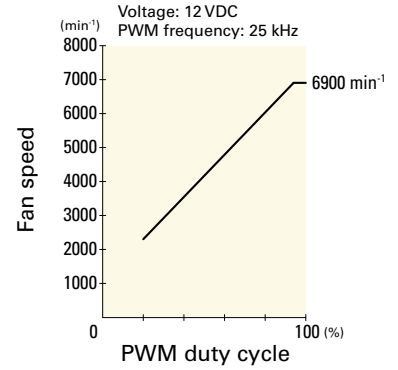
PWM duty cycle



Operating voltage range

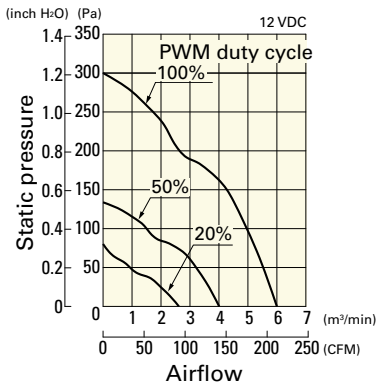


PWM duty - Speed characteristics example

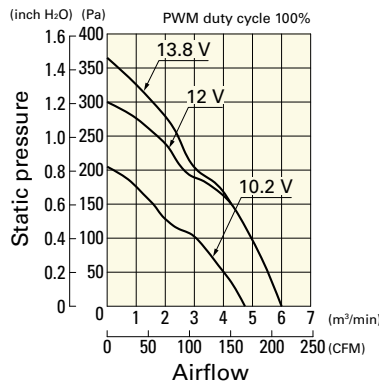


**9LG1412P1H001** With pulse sensor with PWM control function

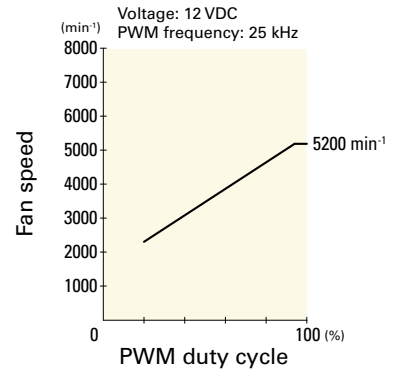
PWM duty cycle



Operating voltage range

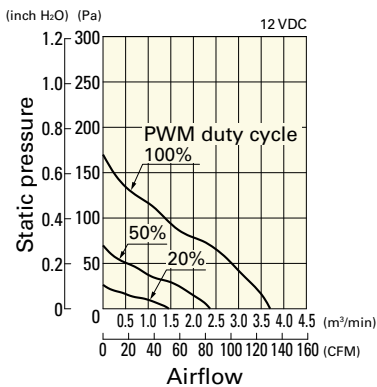


PWM duty - Speed characteristics example

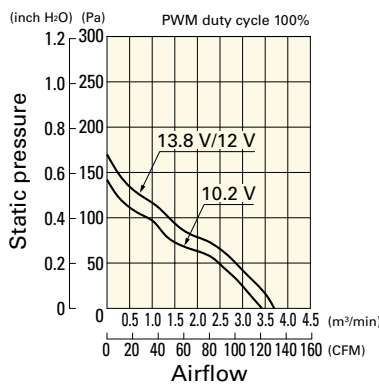


**9LG1412P1M001** With pulse sensor with PWM control function

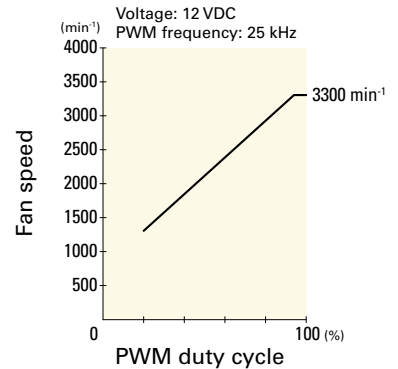
PWM duty cycle



Operating voltage range

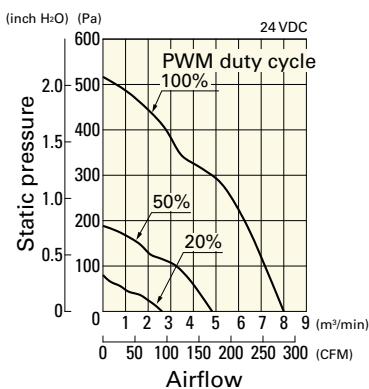


PWM duty - Speed characteristics example

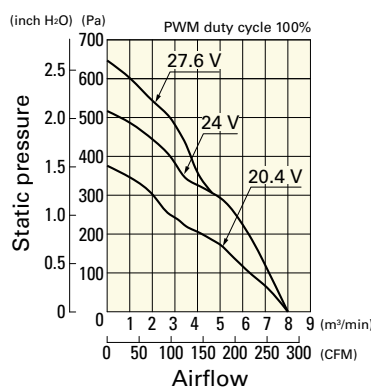


**9LG1424P1A001** With pulse sensor with PWM control function

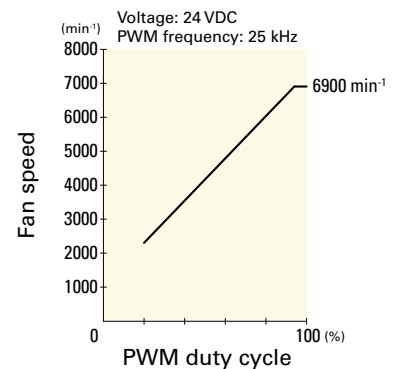
PWM duty cycle



Operating voltage range



PWM duty - Speed characteristics example

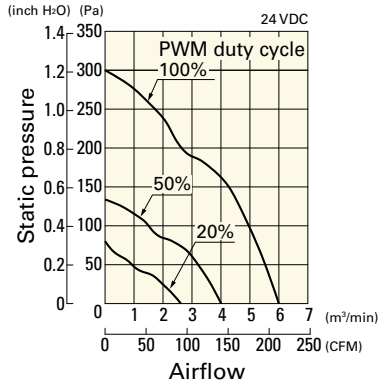


DC  
Long Life Fan 140 mm sq.

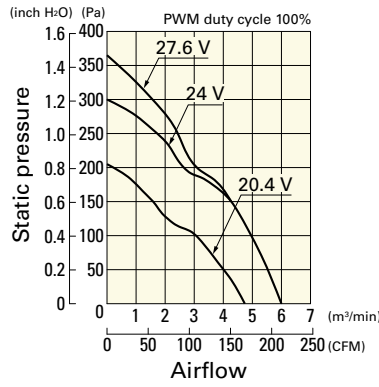
# Airflow - Static Pressure Characteristics / PWM Duty - Speed Characteristics Example

**9LG1424P1H001** With pulse sensor with PWM control function

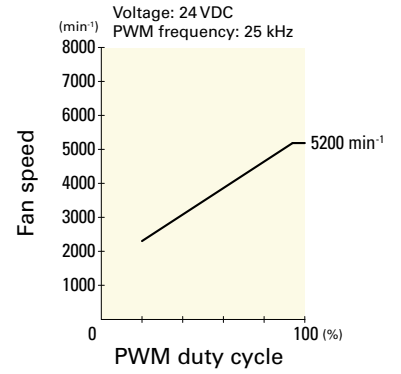
PWM duty cycle



Operating voltage range

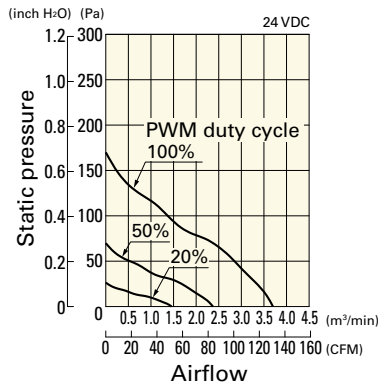


PWM duty - Speed characteristics example

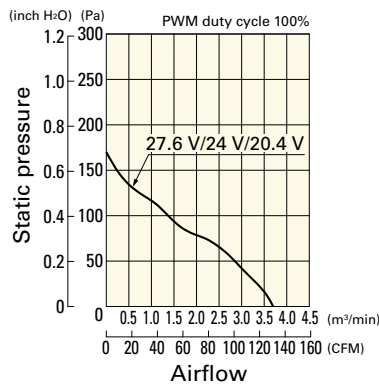


**9LG1424P1M001** With pulse sensor with PWM control function

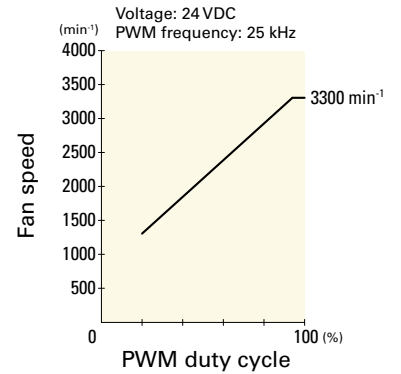
PWM duty cycle



Operating voltage range



PWM duty - Speed characteristics example

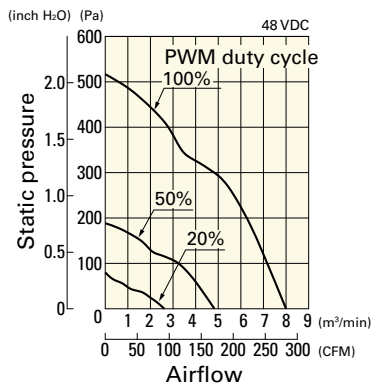


DC

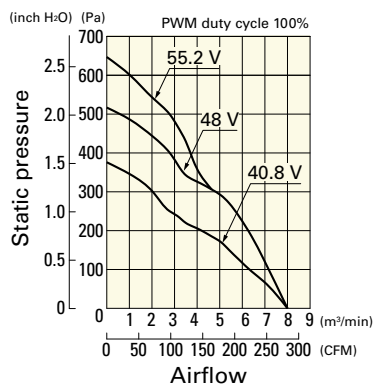
Long Life Fan 140 mm sq.

**9LG1448P1A001** With pulse sensor with PWM control function

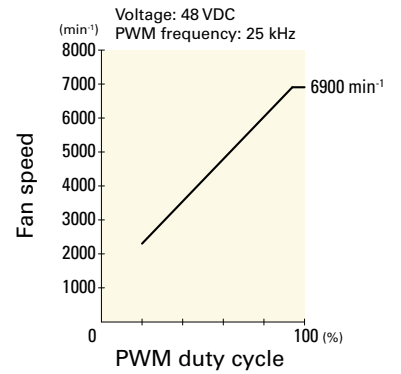
PWM duty cycle



Operating voltage range

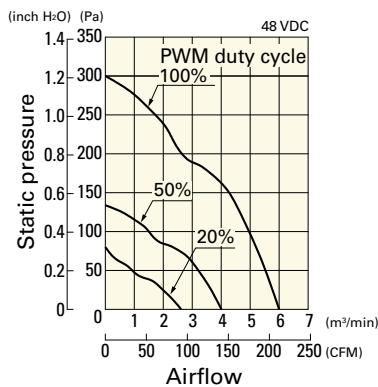


PWM duty - Speed characteristics example

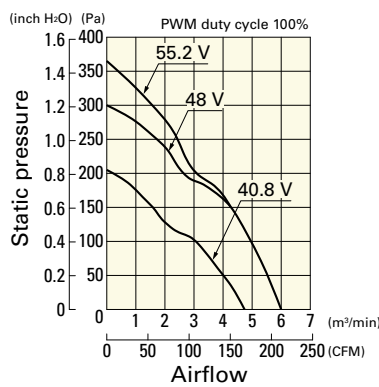


**9LG1448P1H001** With pulse sensor with PWM control function

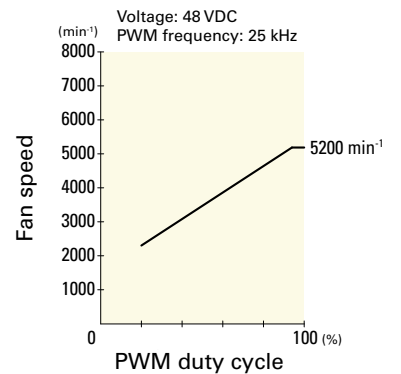
PWM duty cycle



Operating voltage range



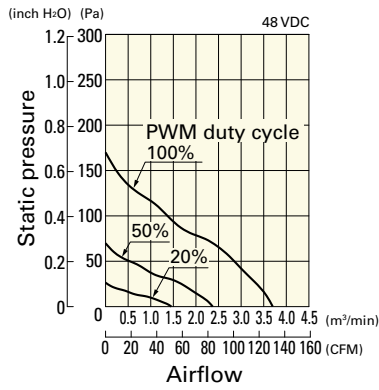
PWM duty - Speed characteristics example



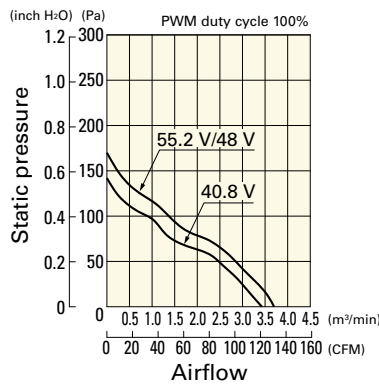
## Airflow - Static Pressure Characteristics / PWM Duty - Speed Characteristics Example

**9LG1448P1M001** With pulse sensor with PWM control function

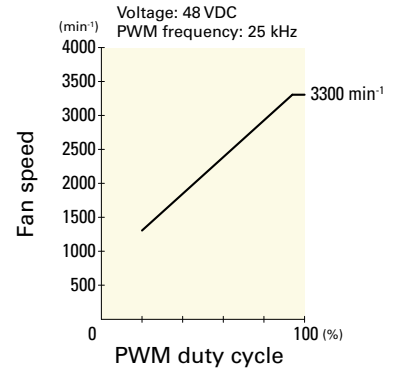
PWM duty cycle



Operating voltage range



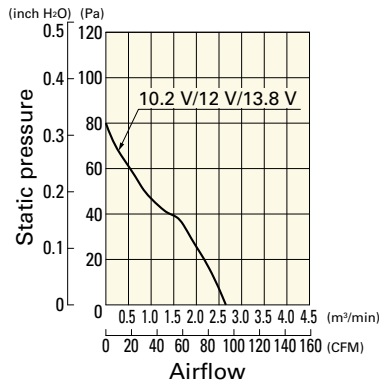
PWM duty - Speed characteristics example



## Airflow - Static Pressure Characteristics

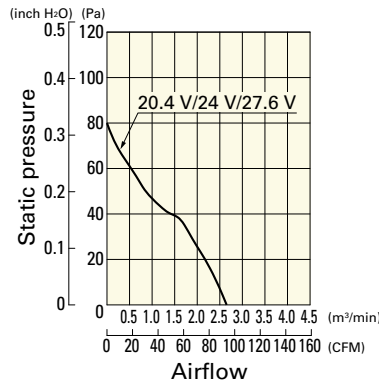
**9LG1412L1001** With pulse sensor

Operating voltage range



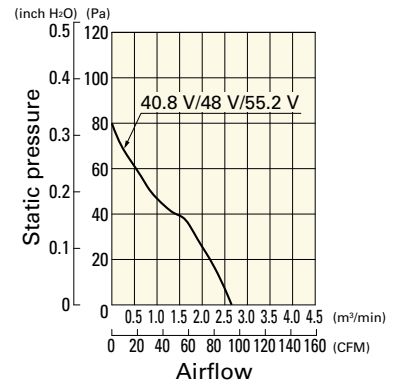
**9LG1424L1001** With pulse sensor

Operating voltage range

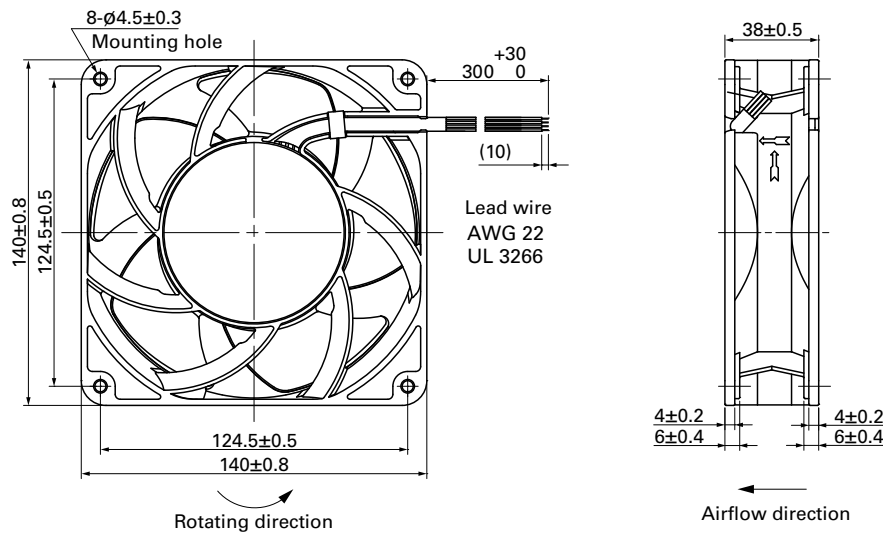


**9LG1448L1001** With pulse sensor

Operating voltage range



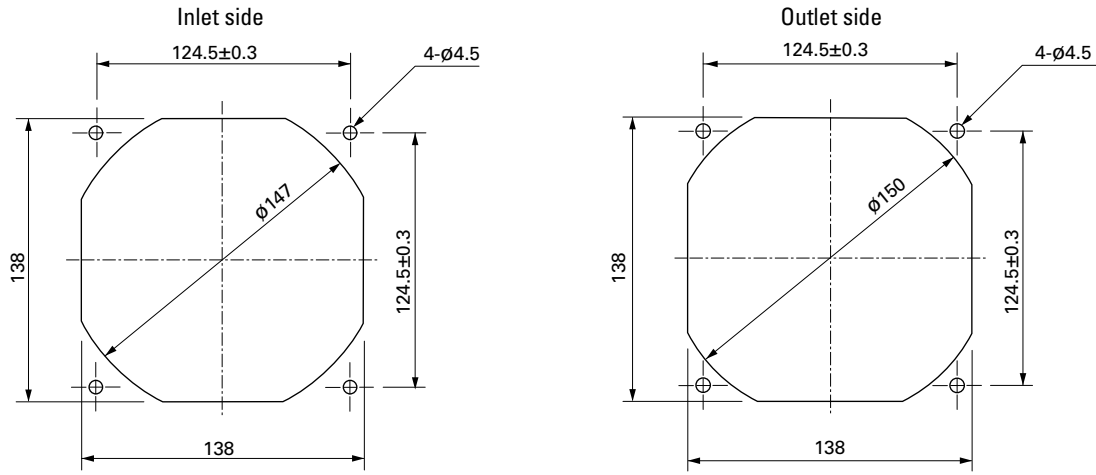
## Dimensions (unit: mm)



DC

Long Life Fan 140 mm sq.

Reference Dimensions of Mounting Holes and Vent Opening (unit: mm)



Options

Finger guards

page: p. 559

Model no.: 109-719, 109-719H



# 140x140x51 mm

San Ace 140L 9LG type

## General Specifications

- Material ..... Frame: Aluminum (Black coating), Impeller: Plastic (Flammability: UL 94V-0)
- Expected life ..... See the table below. (L10 life: 90% survival rate for continuous operation in free air at 60°C, rated voltage) Expected life at 40°C is for reference only.
- Motor protection function ..... Locked rotor burnout protection, Reverse polarity protection  
For details, please refer to p. 573.
- Dielectric strength ..... 50/60 Hz, 500 VAC, for 1 minute (between lead wire conductors and frame)
- Insulation resistance ..... 10 MΩ or more with a 500 VDC megger (between lead wire conductors and frame)
- Sound pressure level (SPL) ..... At 1 m away from the air inlet
- Storage temperature ..... -30 to +70°C (Non-condensing)
- Lead wire ..... ⊕Red ⊖Black (Sensor) Yellow (Control) Brown  
(For models without PWM control function, there is no speed control wiring.)
- Mass ..... 790 g

## Specifications

The models listed below **have pulse sensors with PWM control function.**

Model no.	Rated voltage [V]	Operating voltage range [V]	PWM duty cycle [%]	Rated current [A]	Rated input [W]	Rated speed [min <sup>-1</sup> ]	Max. airflow [m <sup>3</sup> /min] [CFM]	Max. static pressure [Pa] [inchH <sub>2</sub> O]	SPL [dB (A)]	Operating temperature [°C]	Expected life [h]		
9LG1412P5G001	12	10.2 to 13.8	100	5.16	62	7500	9.0 318	655 2.63	69	-20 to +70	180000/60°C (215000/40°C)		
			20	0.31	3.72	2300	2.75 97	80 0.32	38				
9LG1412P5S001			100	1.83	22	5000	6.0 212	295 1.18	57				
			20	0.31	3.72	2300	2.75 97	80 0.32	38				
9LG1424P5G001			24	20.4 to 27.6	100	2.58	62	7500	9.0 318			655 2.63	69
					20	0.16	3.84	2300	2.75 97			80 0.32	38
9LG1424P5S001	100	0.91			22	5000	6.0 212	295 1.18	57				
	20	0.16			3.84	2300	2.75 97	80 0.32	38				
9LG1448P5G001	48	40.8 to 55.2			100	1.29	62	7500	9.0 318			655 2.63	69
					20	0.12	5.76	2300	2.75 97			80 0.32	38
9LG1448P5S001			100	0.45	22	5000	6.0 212	295 1.18	57				
			20	0.12	5.76	2300	2.75 97	80 0.32	38				

\* PWM input frequency is 25 kHz; models without specifications at 0% PWM duty cycle have zero fan speed at 0%.

The following sensor and control options are available for selection.

Differs according to the model. Refer to the table on p. 609. **Without sensor** **Pulse sensor** **Lock sensor**

The models listed below **have pulse sensors.**

Model no.	Rated voltage [V]	Operating voltage range [V]	Rated current [A]	Rated input [W]	Rated speed [min <sup>-1</sup> ]	Max. airflow [m <sup>3</sup> /min] [CFM]	Max. static pressure [Pa] [inchH <sub>2</sub> O]	SPL [dB (A)]	Operating temperature [°C]	Expected life [h]
9LG1412A5001	12	10.2 to 13.8	2.61	31.4	5700	6.9 243.8	500 2	61	-20 to +70	180000/60°C (215000/40°C)
9LG1412H5001			1	12	4100	4.9 173.1	260 1.04	52		
9LG1412M5001			0.43	5.16	2600	3.1 109.5	100 0.4	40		
9LG1424A5001	24	20.4 to 27.6	1.21	29.1	5700	6.9 243.8	540 2.17	61		
9LG1424H5001			0.55	13.2	4100	4.9 173.1	260 1.04	52		
9LG1424M5001			0.23	5.52	2600	3.1 109.5	100 0.4	40		
9LG1448A5001	48	40.8 to 55.2	0.66	31.7	5700	6.9 243.8	540 2.17	61		
9LG1448H5001			0.31	14.9	4100	4.9 173.1	260 1.04	52		
9LG1448M5001			0.15	7.2	2600	3.1 109.5	100 0.4	40		

The following sensor and control options are available for selection.

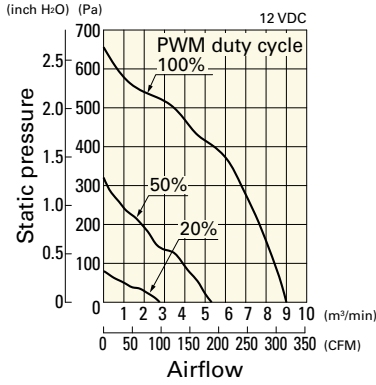
Available for all models. **Without sensor** **Lock sensor**

The mark indicates Short Lead Time Service applicable models. See p. 626 for details.

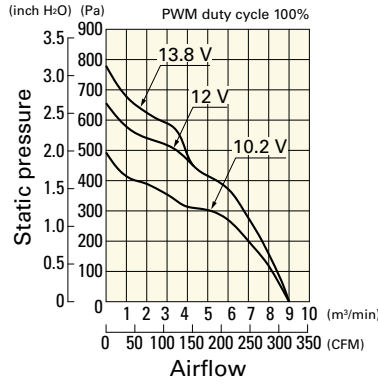
# Airflow - Static Pressure Characteristics / PWM Duty - Speed Characteristics Example

**9LG1412P5G001** With pulse sensor with PWM control function

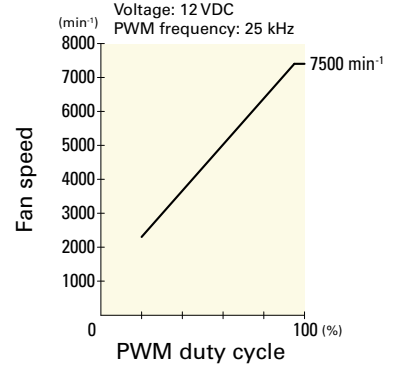
PWM duty cycle



Operating voltage range

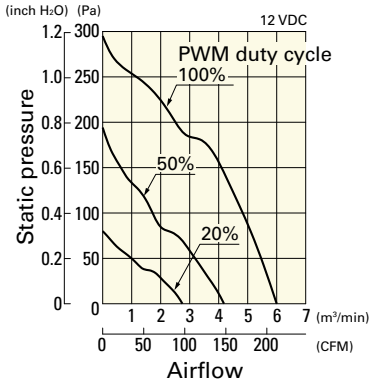


PWM duty - Speed characteristics example

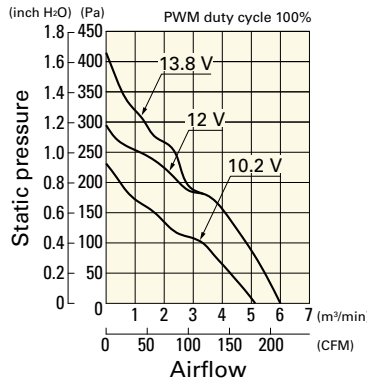


**9LG1412P5S001** With pulse sensor with PWM control function

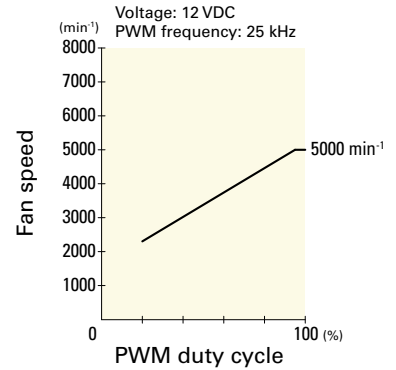
PWM duty cycle



Operating voltage range



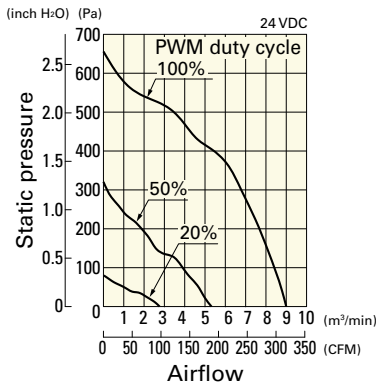
PWM duty - Speed characteristics example



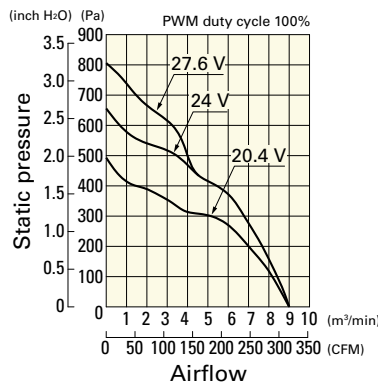
DC Long Life Fan 140 mm sq.

**9LG1424P5G001** With pulse sensor with PWM control function

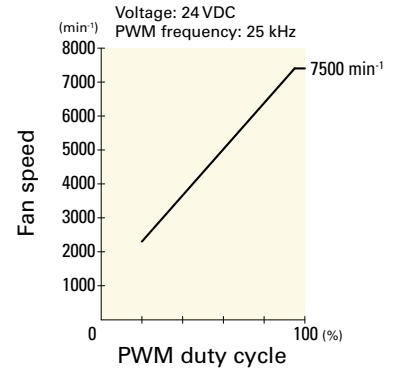
PWM duty cycle



Operating voltage range

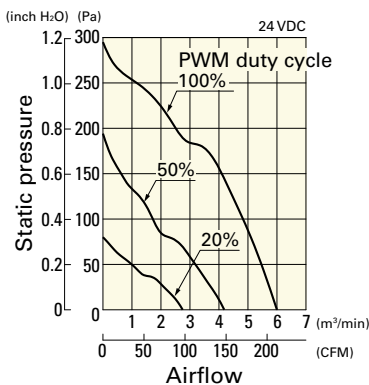


PWM duty - Speed characteristics example

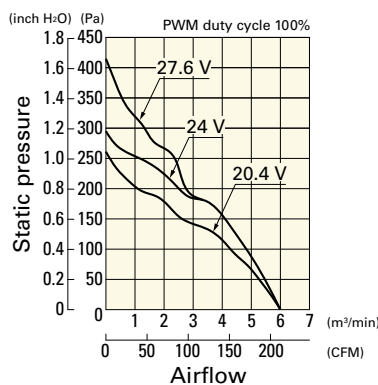


**9LG1424P5S001** With pulse sensor with PWM control function

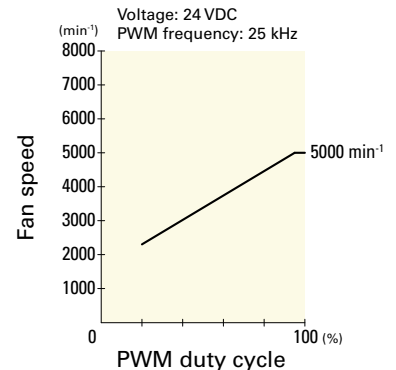
PWM duty cycle



Operating voltage range



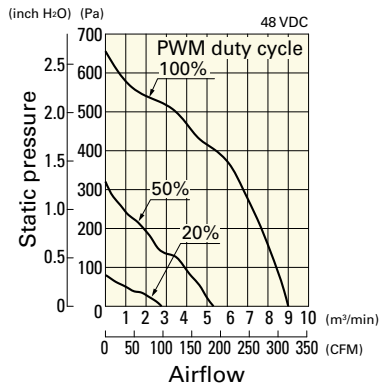
PWM duty - Speed characteristics example



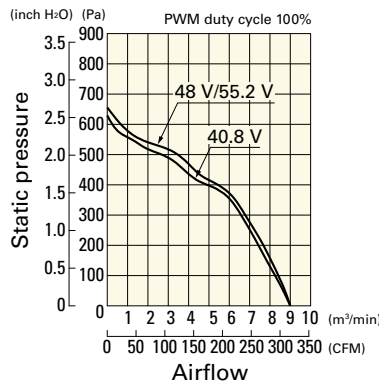
## Airflow - Static Pressure Characteristics / PWM Duty - Speed Characteristics Example

**9LG1448P5G001** With pulse sensor with PWM control function

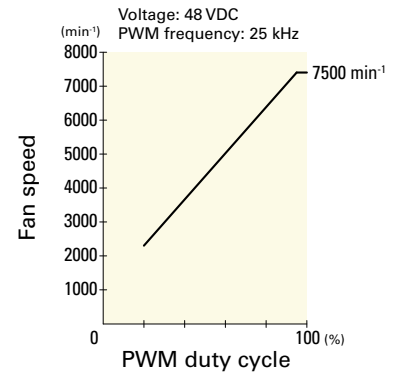
PWM duty cycle



Operating voltage range

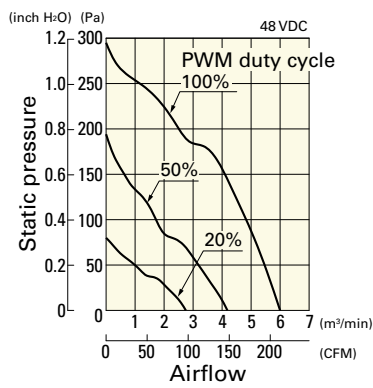


PWM duty - Speed characteristics example

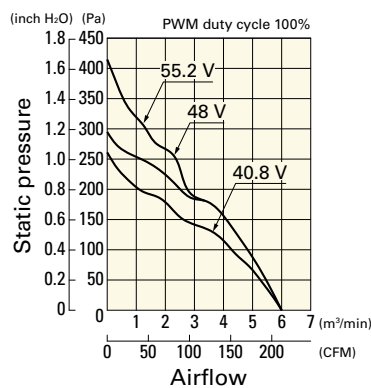


**9LG1448P5S001** With pulse sensor with PWM control function

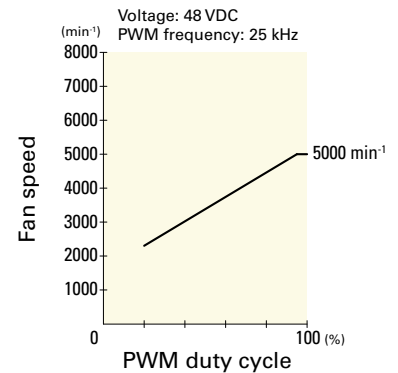
PWM duty cycle



Operating voltage range



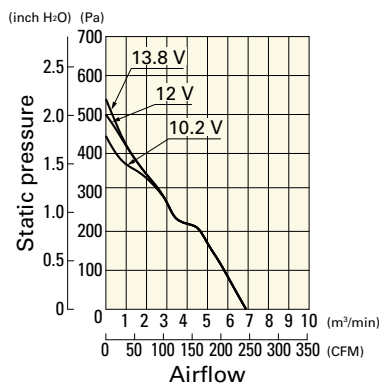
PWM duty - Speed characteristics example



## Airflow - Static Pressure Characteristics

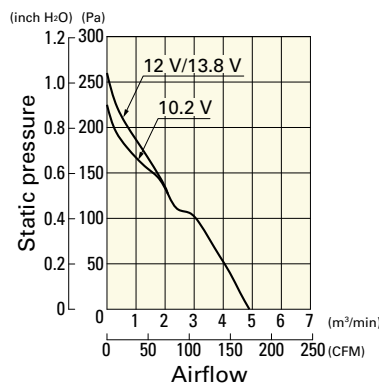
**9LG1412A5001** With pulse sensor

Operating voltage range



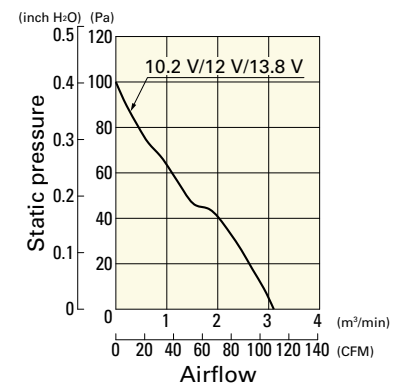
**9LG1412H5001** With pulse sensor

Operating voltage range



**9LG1412M5001** With pulse sensor

Operating voltage range

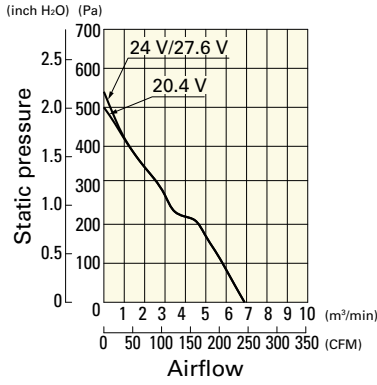


DC  
Long Life Fan 140 mm sq.

## Airflow - Static Pressure Characteristics

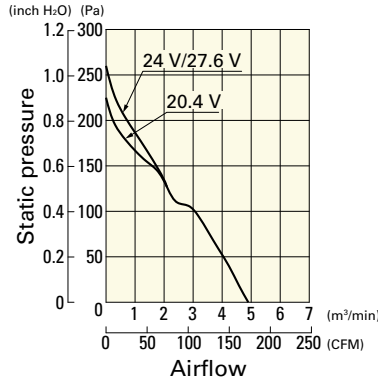
**9LG1424A5001** With pulse sensor

Operating voltage range



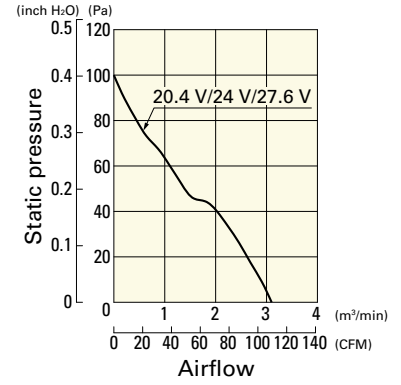
**9LG1424H5001** With pulse sensor

Operating voltage range



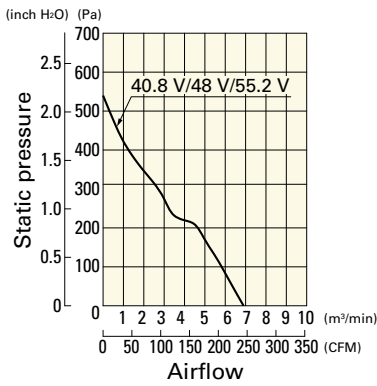
**9LG1424M5001** With pulse sensor

Operating voltage range



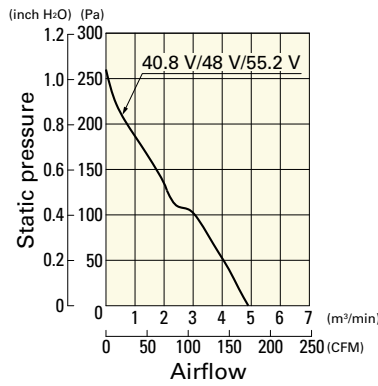
**9LG1448A5001** With pulse sensor

Operating voltage range



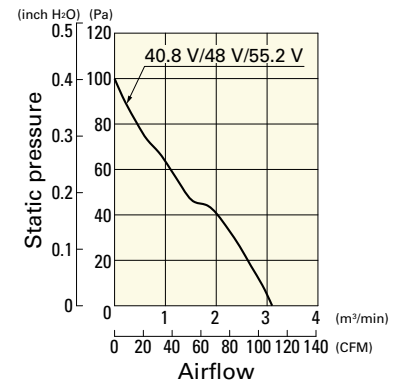
**9LG1448H5001** With pulse sensor

Operating voltage range



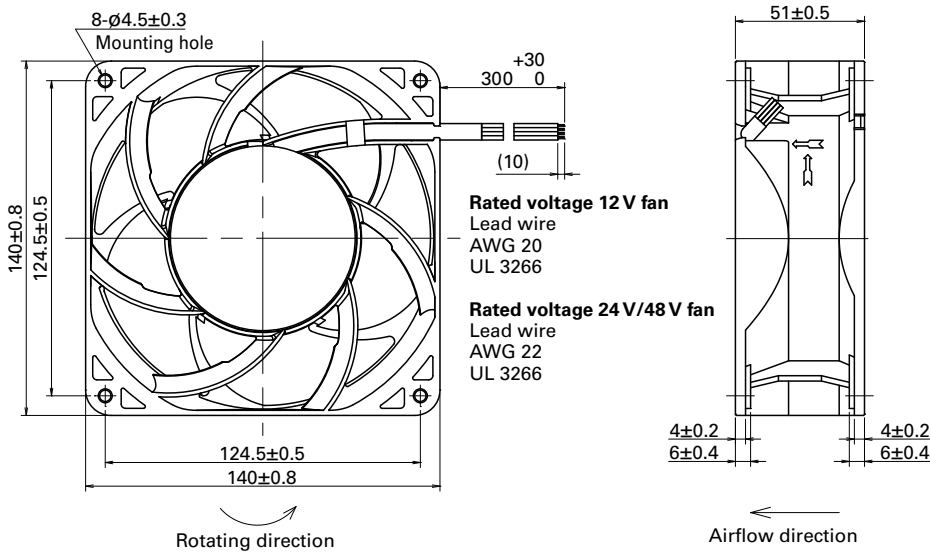
**9LG1448M5001** With pulse sensor

Operating voltage range



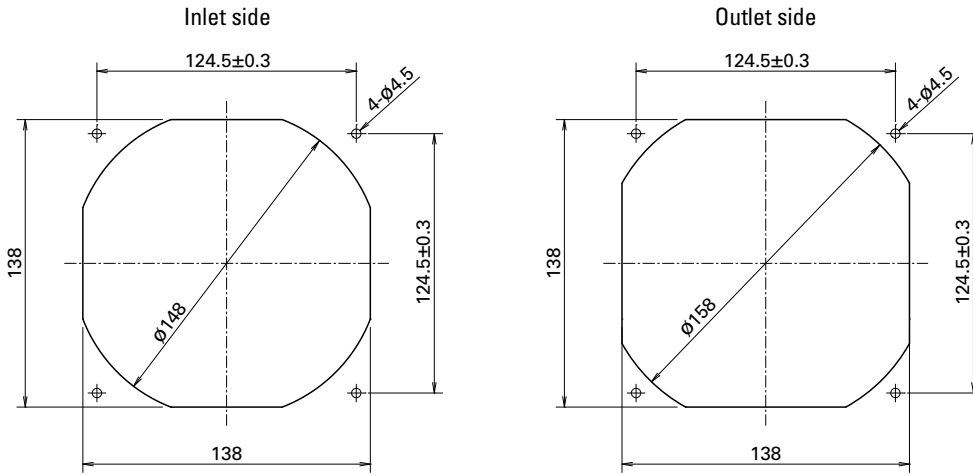
DC Long Life Fan 140 mm sq.

## Dimensions (unit: mm)





■ Reference Dimensions of Mounting Holes and Vent Opening (unit: mm)



■ Options




Finger guards

page: p. 559

Model no.: 109-719, 109-719H



# ∅ 172x150x51 mm

San Ace 172L 9L type   

Sidecut type

## General Specifications

- Material ..... Frame: Aluminum, Impeller: Plastic (Flammability: UL 94V-1)
- Expected life ..... See the table below. (L10 life: 90% survival rate for continuous operation in free air at 60°C, rated voltage) Expected life at 40°C is for reference only.
- Motor protection function ..... Locked rotor burnout protection, Reverse polarity protection  
For details, please refer to p. 573.
- Dielectric strength ..... 50/60 Hz, 500 VAC, for 1 minute (between lead wire conductors and frame)
- Insulation resistance ..... 10 MΩ or more with a 500 VDC megger (between lead wire conductors and frame)
- Sound pressure level (SPL) ..... At 1 m away from the air inlet
- Storage temperature ..... -30 to +70°C (Non-condensing)
- Lead wire ..... ⊕Red ⊖Black or Blue  Sensor Yellow
- Mass ..... 760 g

## Specifications

The models listed below **have pulse sensors**.

Model no.	Rated voltage [V]	Operating voltage range [V]	Rated current [A]	Rated input [W]	Rated speed [min <sup>-1</sup> ]	Max. airflow [m <sup>3</sup> /min] [CFM]	Max. static pressure [Pa] [inchH <sub>2</sub> O]	SPL [dB (A)]	Operating temperature [°C]	Expected life [h]
109L5712H501	12	10.2 to 13.8	1.2	14.4	3050	6.4 226	137.2 0.551	52	-20 to +70	100000/60°C (135000/40°C)
109L5712M501			0.48	5.76	2000	4.2 148	67.6 0.271	41		
109L5724H501	24	20.4 to 27.6	0.58	13.92	3050	6.4 226	137.2 0.551	52		
109L5724M501			0.2	4.8	2000	4.2 148	67.6 0.271	41		
109L5748H501	48	40.8 to 55.2	0.28	13.44	3050	6.4 226	137.2 0.551	52		
109L5748M501			0.11	5.28	2000	4.2 148	67.6 0.271	41		

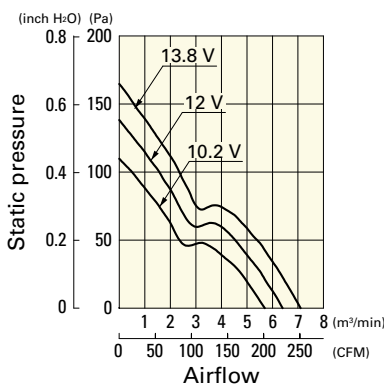
The following sensor and control options are available for selection.

Available for all models.  Without sensor  Lock sensor

## Airflow - Static Pressure Characteristics

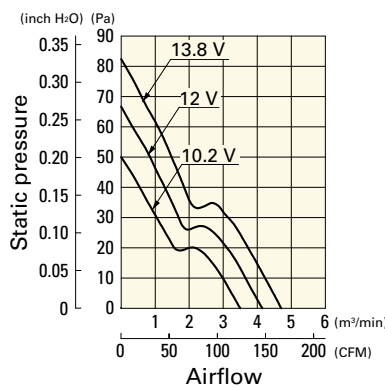
109L5712H501 With pulse sensor

Operating voltage range



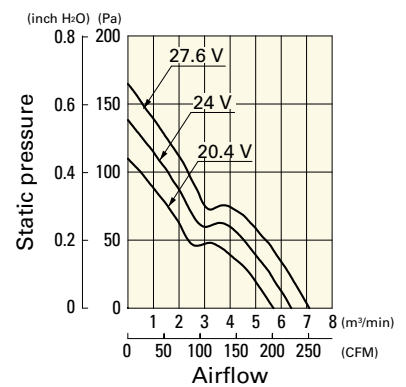
109L5712M501 With pulse sensor

Operating voltage range



109L5724H501 With pulse sensor

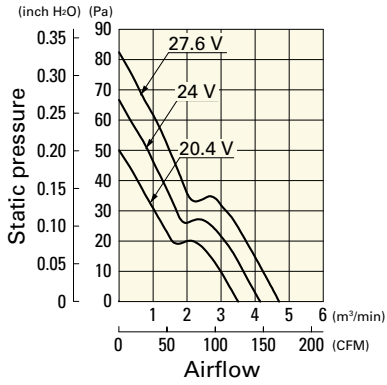
Operating voltage range



## Airflow - Static Pressure Characteristics

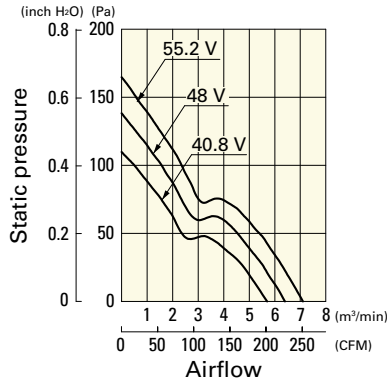
**109L5724M501** With pulse sensor

Operating voltage range



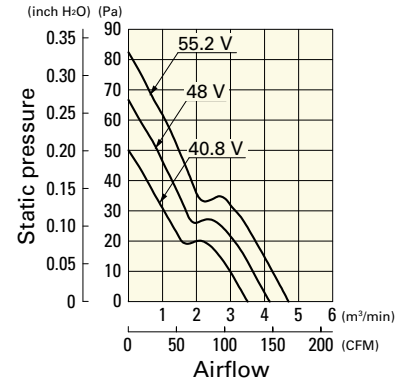
**109L5748H501** With pulse sensor

Operating voltage range

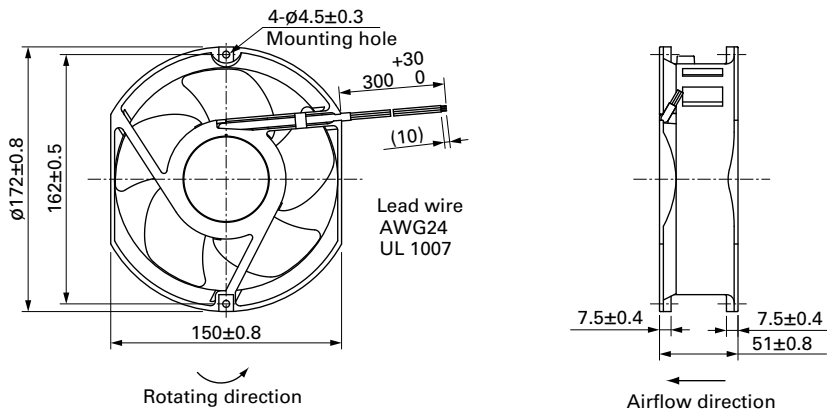


**109L5748M501** With pulse sensor

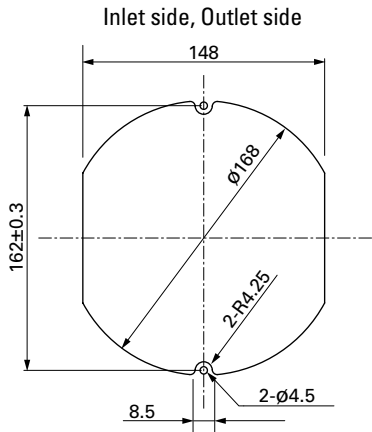
Operating voltage range



## Dimensions (unit: mm)



## Reference Dimensions of Mounting Holes and Vent Opening (unit: mm)



## Options

Finger guards

page: p. 560




Model no.: 109-319E, 109-319H, 109-320

DC

Long Life Fan  $\phi 172$  mm



# ∅172x51 mm

San Ace 172L 9L type   

Round type

## General Specifications

- Material ..... Frame: Aluminum, Impeller: Plastic (Flammability: UL 94V-1)
- Expected life ..... See the table below. (L10 life: 90% survival rate for continuous operation in free air at 60°C, rated voltage) Expected life at 40°C is for reference only.
- Motor protection function ..... Locked rotor burnout protection, Reverse polarity protection  
For details, please refer to p. 573.
- Dielectric strength ..... 50/60 Hz, 500 VAC, for 1 minute (between lead wire conductors and frame)
- Insulation resistance ..... 10 MΩ or more with a 500 VDC megger (between lead wire conductors and frame)
- Sound pressure level (SPL) ..... At 1 m away from the air inlet
- Storage temperature ..... -30 to +70°C (Non-condensing)
- Lead wire ..... ⊕Red ⊖Black or Blue  Sensor Yellow
- Mass ..... 780 g

## Specifications

The models listed below **have pulse sensors**.

Model no.	Rated voltage [V]	Operating voltage range [V]	Rated current [A]	Rated input [W]	Rated speed [min <sup>-1</sup> ]	Max. airflow [m <sup>3</sup> /min] [CFM]	Max. static pressure [Pa] [inchH <sub>2</sub> O]	SPL [dB (A)]	Operating temperature [°C]	Expected life [h]
109L1712H501	12	10.2 to 13.8	1.2	14.4	3050	6.4 226	137.2 0.551	47	-20 to +70	100000/60°C (135000/40°C)
109L1712M501			0.48	5.76	2000	4.2 148	67.6 0.271	36		
109L1724H501	24	20.4 to 27.6	0.58	13.92	3050	6.4 226	137.2 0.551	47		
109L1724M501			0.2	4.8	2000	4.2 148	67.6 0.271	36		
109L1748H501	48	40.8 to 55.2	0.28	13.44	3050	6.4 226	137.2 0.551	47		
109L1748M501			0.11	5.28	2000	4.2 148	67.6 0.271	36		

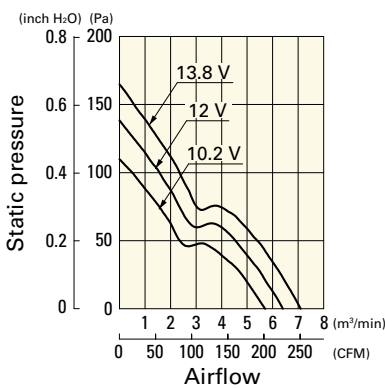
The following sensor and control options are available for selection.

Available for all models.  Without sensor  Lock sensor

## Airflow - Static Pressure Characteristics

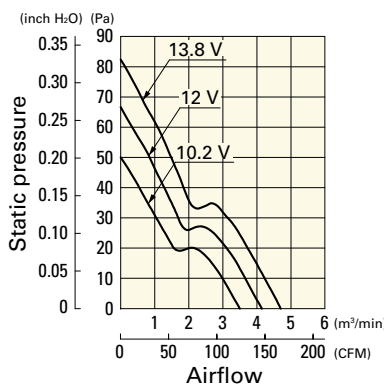
**109L1712H501** With pulse sensor

Operating voltage range



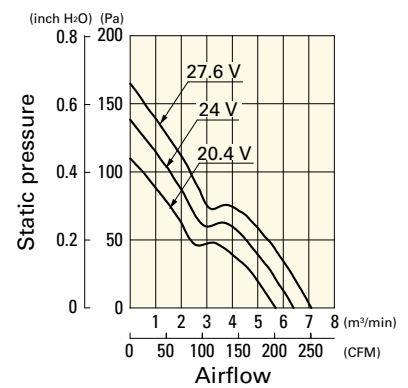
**109L1712M501** With pulse sensor

Operating voltage range



**109L1724H501** With pulse sensor

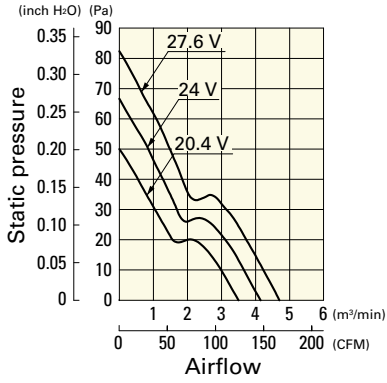
Operating voltage range



## Airflow - Static Pressure Characteristics

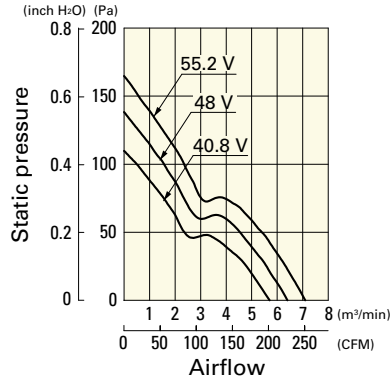
**109L1724M501** With pulse sensor

Operating voltage range



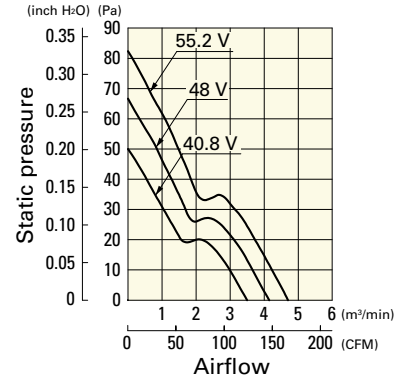
**109L1748H501** With pulse sensor

Operating voltage range

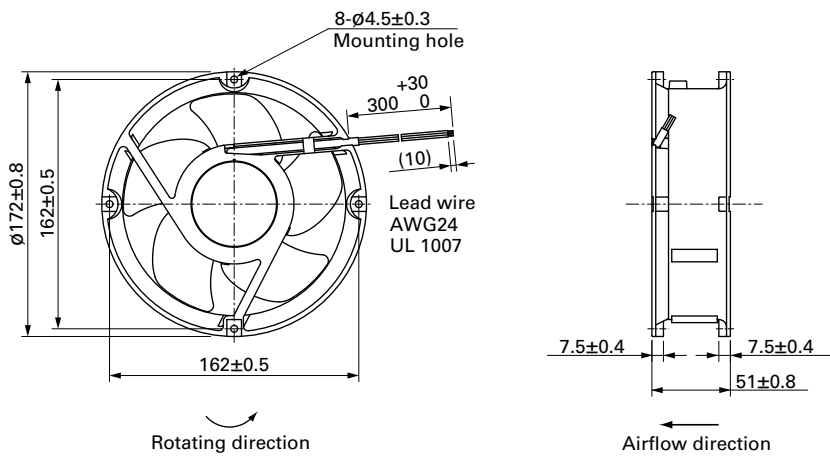


**109L1748M501** With pulse sensor

Operating voltage range

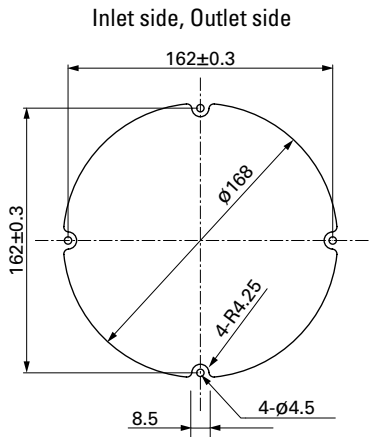


## Dimensions (unit: mm)



DC  
Long Life Fan  $\phi 172$  mm

## Reference Dimensions of Mounting Holes and Vent Opening (unit: mm)



## Options

Finger guards

page: p. 560

Model no.: 109-1066, 109-1068, 109-319E, 109-319H, 109-320



# Wide Temperature Range Fan

These fans can be used in a wide temperature range from -40 to +85°C.

**Model Numbering System** Not every combination of the following codes or characters is available. Contact us for an available combination.

<b>9GT</b>	<b>04</b>	<b>12</b>	<b>P</b>	<b>3</b>	<b>J</b>	<b>001</b>
Type name	Frame size	Voltage	PWM control function	Frame thickness	Speed code	Individual customer's spec

Type name	9GT					
Frame size (mm)	04	06	08	09	12	
	40×40	60×60	80×80	92×92	120×120	
Voltage (V)	12	24				
	12	24				
Frame thickness (mm)	1	3	4			
	38	28	25			
Speed code	J					



# 40x40x28 mm

San Ace 40T 9GT type

## General Specifications

- Material ..... Frame: Aluminum, Impeller: Plastic (Flammability: UL 94V-1)
- Expected life ..... See the table below. (L10 life: 90% survival rate for continuous operation in free air at 85°C, rated voltage)  
Expected life at 40°C is for reference only.
- Motor protection function ..... Locked rotor burnout protection, Reverse polarity protection  
For details, please refer to p. 573.
- Dielectric strength ..... 50/60 Hz, 500 VAC, for 1 minute (between lead wire conductors and frame)
- Insulation resistance ..... 10 MΩ or more with a 500 VDC megger (between lead wire conductors and frame)
- Sound pressure level (SPL) ..... At 1 m away from the air inlet
- Storage temperature ..... -40 to +85°C (Non-condensing)
- Lead wire ..... ⊕Red ⊖Black  Sensor  Yellow  Control  Brown
- Mass ..... 55 g

## Specifications

The models listed below **have pulse sensors with PWM control function.**

Model no.	Rated voltage [V]	Operating voltage range [V]	PWM duty cycle* [%]	Rated current [A]	Rated input [W]	Rated speed [min <sup>-1</sup> ]	Max. airflow [m <sup>3</sup> /min] [CFM]	Max. static pressure [Pa] [inchH <sub>2</sub> O]	SPL [dB (A)]	Operating temperature [°C]	Expected life [h]
9GT0412P3J001	12	10.2 to 13.8	100	0.31	3.72	11700	0.52 18.4	206 0.827	48	-40 to +85	40000/85°C (162000/40°C)
			30	0.08	0.96	4100	0.18 6.36	25.2 0.1	21		
9GT0424P3J001	24	20.4 to 27.6	100	0.15	3.6	11700	0.52 18.4	206 0.827	48		
			30	0.05	1.2	4100	0.18 6.36	25.2 0.1	21		

\* PWM input frequency is 25 kHz; models without specifications at 0% PWM duty cycle have zero fan speed at 0%.

The following sensor and control options are available for selection.

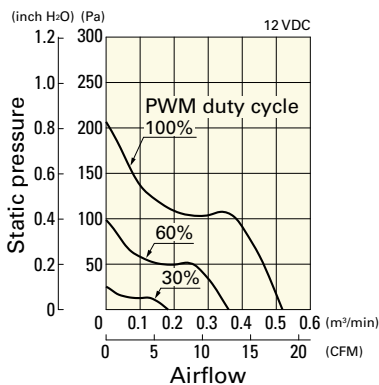
Available for all models.  Without sensor  Pulse sensor  Lock sensor

The mark indicates Short LeadTime Service applicable models. See p. 626 for details.

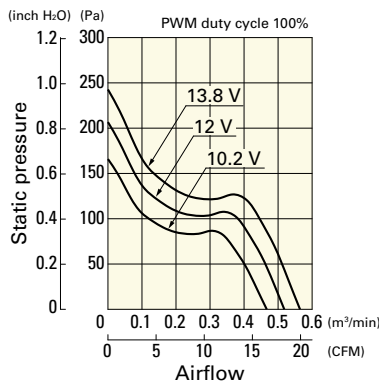
## Airflow - Static Pressure Characteristics / PWM Duty - Speed Characteristics Example

**9GT0412P3J001** With pulse sensor with PWM control function

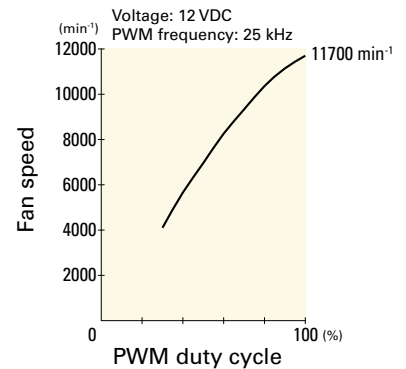
PWM duty cycle



Operating voltage range



PWM duty - Speed characteristics example

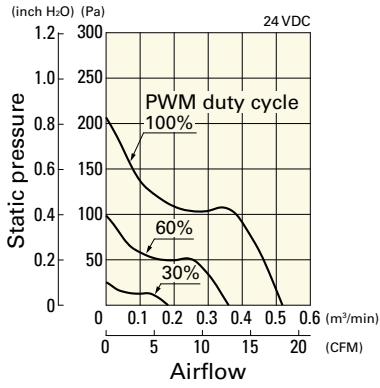




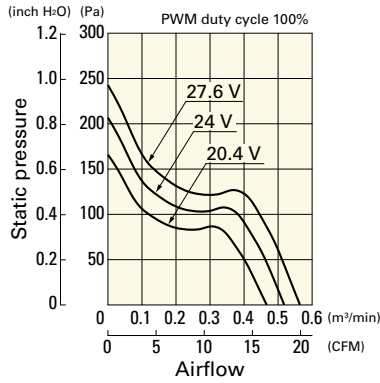
## Airflow - Static Pressure Characteristics / PWM Duty - Speed Characteristics Example

9GT0424P3J001 With pulse sensor with PWM control function

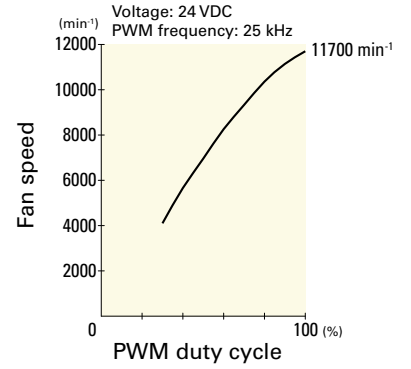
PWM duty cycle



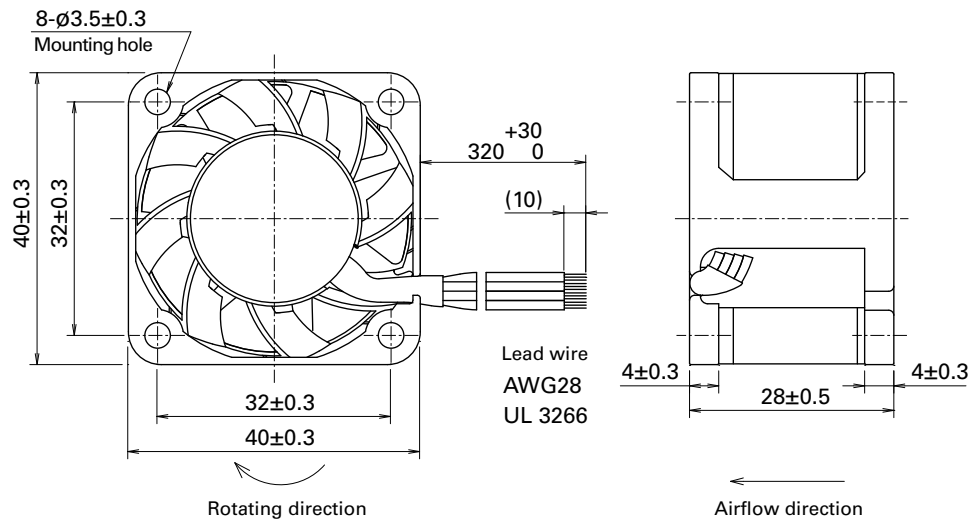
Operating voltage range



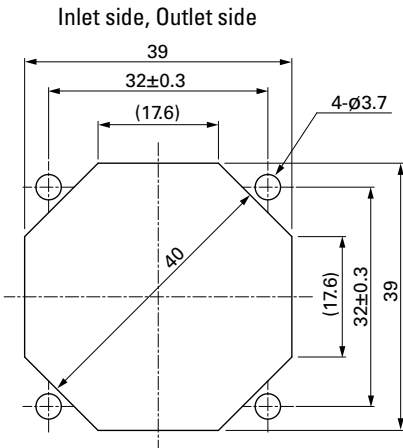
PWM duty - Speed characteristics example



## Dimensions (unit: mm)



## Reference Dimensions of Mounting Holes and Vent Opening (unit: mm)



## Options

Finger guards

page: p. 558

Model no.: 109-059, 109-059H

DC  
Wide Temperature Range Fan 40 mm sq.

# 60x60x25 mm



San Ace 60T 9GT type

## General Specifications

- Material ..... Frame: Aluminum, Impeller: Plastic (Flammability: UL 94V-1)
- Expected life ..... See the table below. (L10 life: 90% survival rate for continuous operation in free air at 85°C, rated voltage)  
Expected life at 40°C is for reference only.
- Motor protection function ..... Locked rotor burnout protection, Reverse polarity protection  
For details, please refer to p. 573.
- Dielectric strength ..... 50/60 Hz, 500 VAC, for 1 minute (between lead wire conductors and frame)
- Insulation resistance ..... 10 MΩ or more with a 500 VDC megger (between lead wire conductors and frame)
- Sound pressure level (SPL) ..... At 1 m away from the air inlet
- Storage temperature ..... -40 to +85°C (Non-condensing)
- Lead wire ..... ⊕Red ⊖Black  Sensor  Yellow  Control  Brown
- Mass ..... 100 g

## Specifications

The models listed below **have pulse sensors with PWM control function.**

Model no.	Rated voltage [V]	Operating voltage range [V]	PWM duty cycle [%]	Rated current [A]	Rated input [W]	Rated speed [min <sup>-1</sup> ]	Max. airflow [m <sup>3</sup> /min] [CFM]	Max. static pressure [Pa] [inchH <sub>2</sub> O]	SPL [dB (A)]	Operating temperature [°C]	Expected life [h]
▶▶ 9GT0612P4G001	12	10.2 to 13.8	100	0.56	6.72	10000	1.26 44.5	243 0.97	52	-40 to +85	40000/85°C (162000/40°C)
			30	0.11	1.32	4100	0.52 18.3	42.8 0.17	25		
▶▶ 9GT0624P4G001	24	20.4 to 27.6	100	0.28	6.72	10000	1.26 44.5	243 0.97	52		
			30	0.06	1.44	4100	0.52 18.3	42.8 0.17	25		

\* PWM input frequency is 25 kHz; models without specifications at 0% PWM duty cycle have zero fan speed at 0%.

The following sensor and control options are available for selection.

Available for all models.  Without sensor  Pulse sensor

Differs according to the model. Refer to the table on p. 606.  Lock sensor

The ▶▶ mark indicates Short LeadTime Service applicable models. See p. 626 for details.

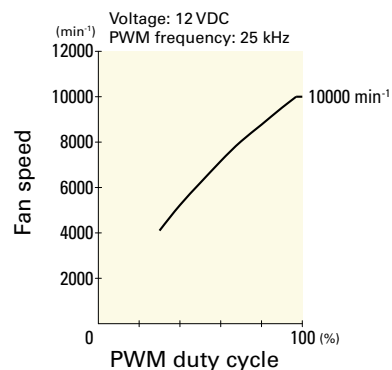
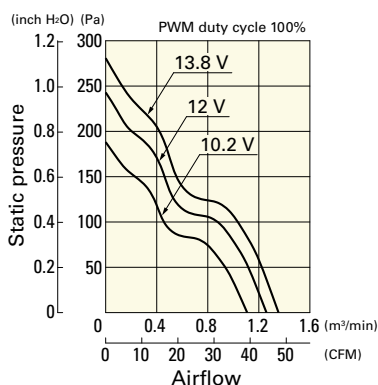
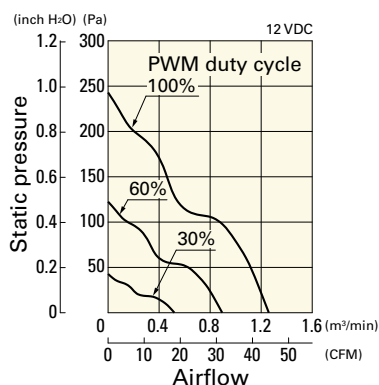
## Airflow - Static Pressure Characteristics / PWM Duty - Speed Characteristics Example

**9GT0612P4G001** With pulse sensor with PWM control function

PWM duty cycle

Operating voltage range

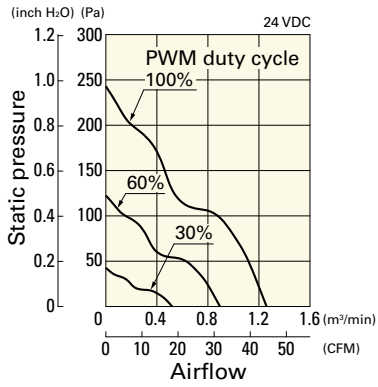
PWM duty - Speed characteristics example



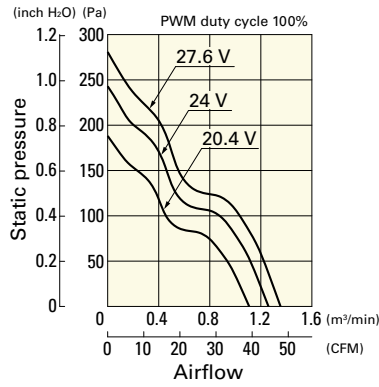
## Airflow - Static Pressure Characteristics / PWM Duty - Speed Characteristics Example

**9GT0624P4G001** With pulse sensor with PWM control function

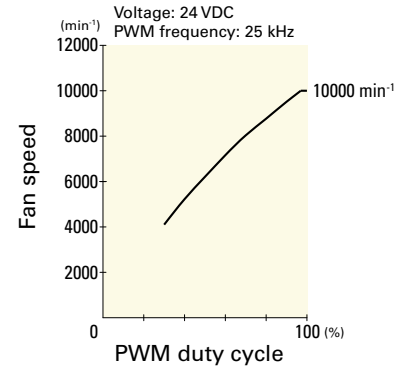
PWM duty cycle



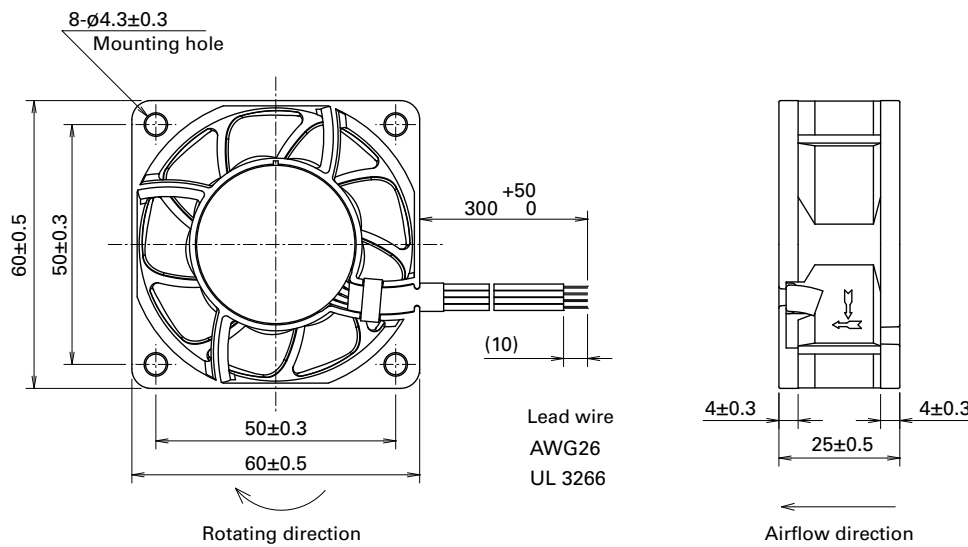
Operating voltage range



PWM duty - Speed characteristics example



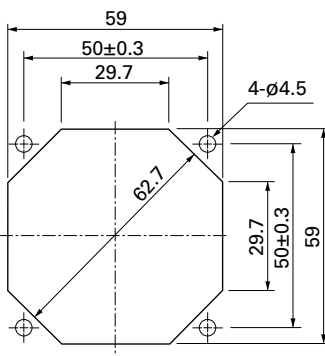
## Dimensions (unit: mm)



DC  
Wide Temperature Range Fan 60 mm sq.

## Reference Dimensions of Mounting Holes and Vent Opening (unit: mm)

Inlet side, Outlet side



## Options

Finger guards

page: p. 558

Model no.: 109-139E, 109-139H

# 80×80×25 mm

San Ace 80T 9GT type   



## General Specifications

- Material ..... Frame: Aluminum, Impeller: Plastic (Flammability: UL 94V-1)
- Expected life ..... See the table below. (L10 life: 90% survival rate for continuous operation in free air at 85°C, rated voltage) Expected life at 40°C is for reference only.
- Motor protection function ..... Locked rotor burnout protection, Reverse polarity protection For details, please refer to p. 573.
- Dielectric strength ..... 50/60 Hz, 500 VAC, for 1 minute (between lead wire conductors and frame)
- Insulation resistance ..... 10 MΩ or more with a 500 VDC megger (between lead wire conductors and frame)
- Sound pressure level (SPL) ..... At 1 m away from the air inlet
- Storage temperature ..... -40 to +85°C (Non-condensing)
- Lead wire ..... ⊕Red ⊖Black  Sensor  Yellow  Control  Brown
- Mass ..... 130 g

## Specifications

The models listed below **have pulse sensors with PWM control function.**

Model no.	Rated voltage [V]	Operating voltage range [V]	PWM duty cycle [%]	Rated current [A]	Rated input [W]	Rated speed [min <sup>-1</sup> ]	Max. airflow [m <sup>3</sup> /min] [CFM]	Max. static pressure [Pa] [inchH <sub>2</sub> O]	SPL [dB (A)]	Operating temperature [°C]	Expected life [h]
▶▶ 9GT0812P4S001	12	10.2 to 13.8	100	0.46	5.52	6700	1.86 65.7	143 0.57	46	-40 to +85	40000/85°C (162000/40°C)
			30	0.09	1.08	2650	0.73 25.7	22.3 0.08	26		
▶▶ 9GT0824P4S001	24	20.4 to 27.6	100	0.22	5.28	6700	1.86 65.7	143 0.57	46		
			30	0.05	1.2	2650	0.73 25.7	22.3 0.08	26		

\* PWM input frequency is 25 kHz; models without specifications at 0% PWM duty cycle have zero fan speed at 0%.

The following sensor and control options are available for selection.

Available for all models.  Without sensor  Pulse sensor

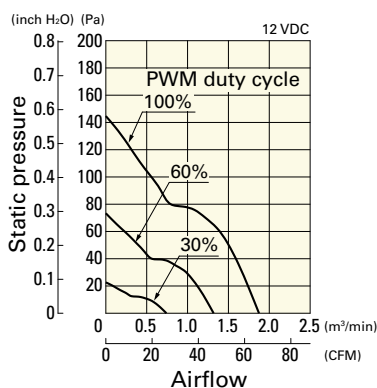
Differs according to the model. Refer to the table on p. 606.  Lock sensor

The ▶▶ mark indicates Short LeadTime Service applicable models. See p. 626 for details.

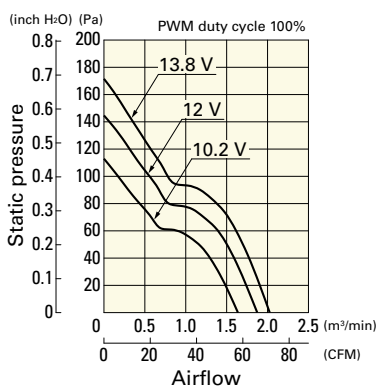
## Airflow - Static Pressure Characteristics / PWM Duty - Speed Characteristics Example

**9GT0812P4S001** With pulse sensor with PWM control function

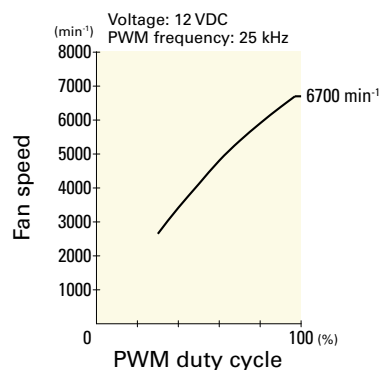
PWM duty cycle



Operating voltage range



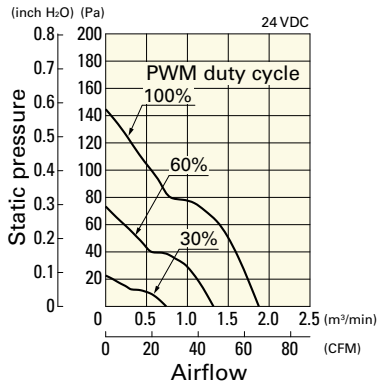
PWM duty - Speed characteristics example



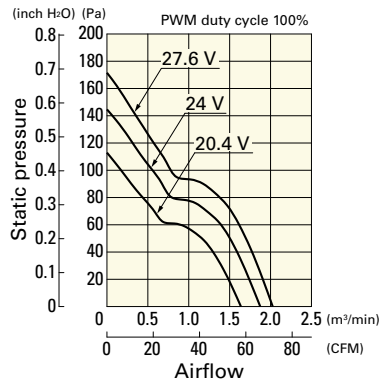
## Airflow - Static Pressure Characteristics / PWM Duty - Speed Characteristics Example

9GT0824P4S001 With pulse sensor with PWM control function

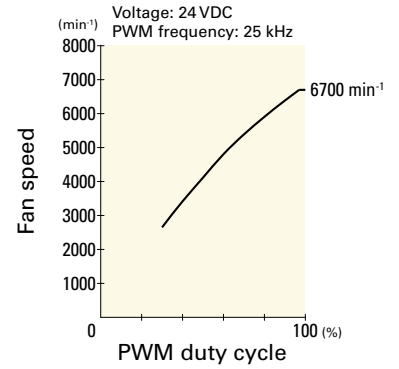
PWM duty cycle



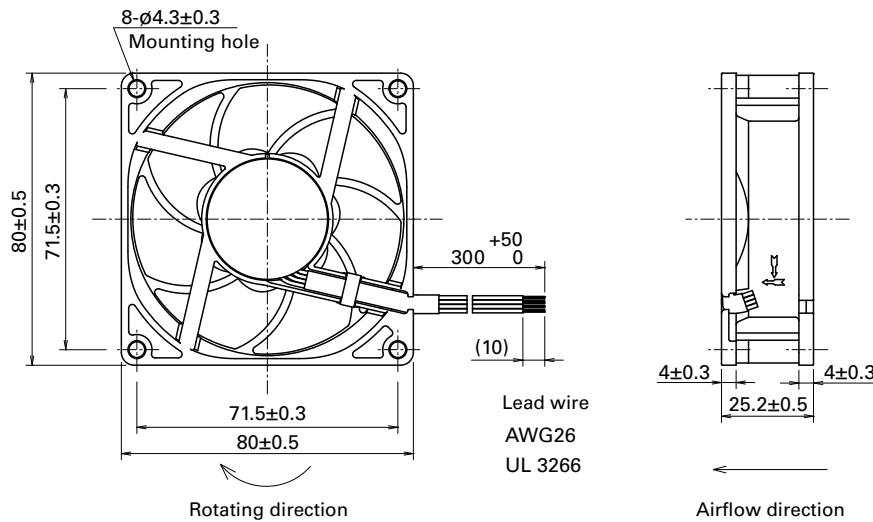
Operating voltage range



PWM duty - Speed characteristics example

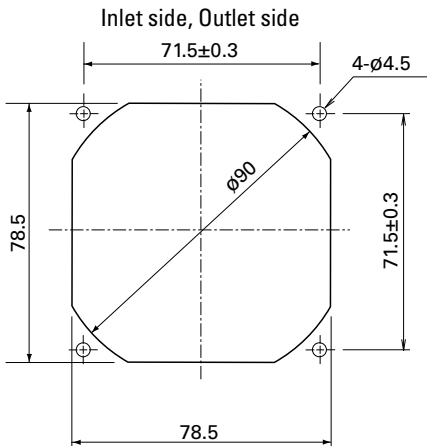


## Dimensions (unit: mm)



DC  
Wide Temperature Range Fan 80 mm sq.

## Reference Dimensions of Mounting Holes and Vent Opening (unit: mm)



## Options

Finger guards

page: p. 558

Model no.: 109-049E, 109-049H, 109-049C



# 92x92x25 mm

San Ace 92T 9GT type

## General Specifications

- Material ..... Frame: Aluminum, Impeller: Plastic (Flammability: UL 94V-1)
- Expected life ..... See the table below. (L10 life: 90% survival rate for continuous operation in free air at 85°C, rated voltage) Expected life at 40°C is for reference only.
- Motor protection function ..... Locked rotor burnout protection, Reverse polarity protection For details, please refer to p. 573.
- Dielectric strength ..... 50/60 Hz, 500 VAC, for 1 minute (between lead wire conductors and frame)
- Insulation resistance ..... 10 MΩ or more with a 500 VDC megger (between lead wire conductors and frame)
- Sound pressure level (SPL) ..... At 1 m away from the air inlet
- Storage temperature ..... -40 to +85°C (Non-condensing)
- Lead wire ..... ⊕Red ⊖Black  Sensor  Yellow  Control  Brown
- Mass ..... 150 g

## Specifications

The models listed below **have pulse sensors with PWM control function.**

Model no.	Rated voltage [V]	Operating voltage range [V]	PWM duty cycle* [%]	Rated current [A]	Rated input [W]	Rated speed [min <sup>-1</sup> ]	Max. airflow [m <sup>3</sup> /min] [CFM]	Max. static pressure [Pa] [inchH <sub>2</sub> O]	SPL [dB (A)]	Operating temperature [°C]	Expected life [h]
▶▶ 9GT0912P4J001	12	10.2 to 13.8	100	0.42	5.04	5000	2.2 77.7	105 0.42	44	-40 to +85	40000/85°C (162000/40°C)
			30	0.07	0.84	1850	0.81 28.7	14.3 0.05	18		
▶▶ 9GT0924P4J001	24	20.4 to 27.6	100	0.21	5.04	5000	2.2 77.7	105 0.42	44		
			30	0.05	1.2	1850	0.81 28.7	14.3 0.05	18		

\* PWM input frequency is 25 kHz; models without specifications at 0% PWM duty cycle have zero fan speed at 0%.

The following sensor and control options are available for selection.

Available for all models. **Without sensor** **Pulse sensor**

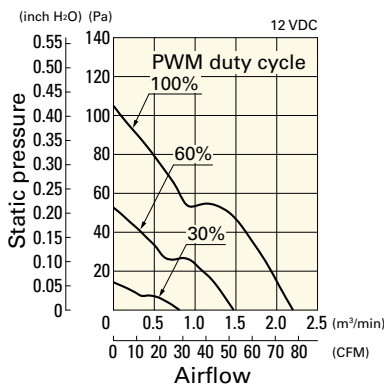
Differs according to the model. Refer to the table on p. 606. **Lock sensor**

The ▶▶ mark indicates Short LeadTime Service applicable models. See p. 626 for details.

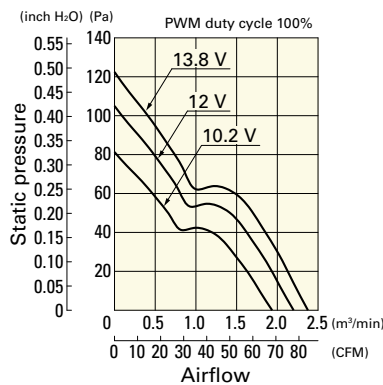
## Airflow - Static Pressure Characteristics / PWM Duty - Speed Characteristics Example

9GT0912P4J001 With pulse sensor with PWM control function

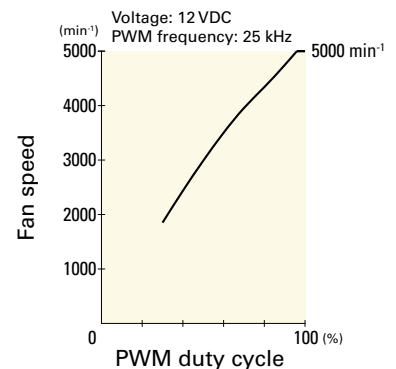
PWM duty cycle



Operating voltage range



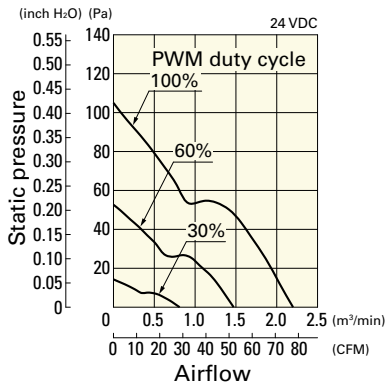
PWM duty - Speed characteristics example



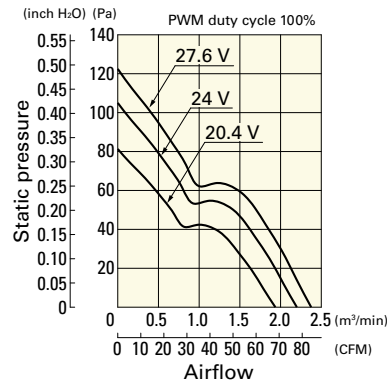
## Airflow - Static Pressure Characteristics / PWM Duty - Speed Characteristics Example

9GT0924P4J001 With pulse sensor with PWM control function

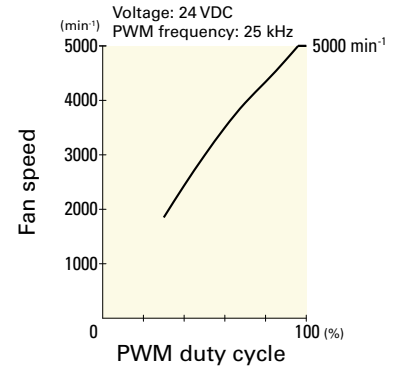
PWM duty cycle



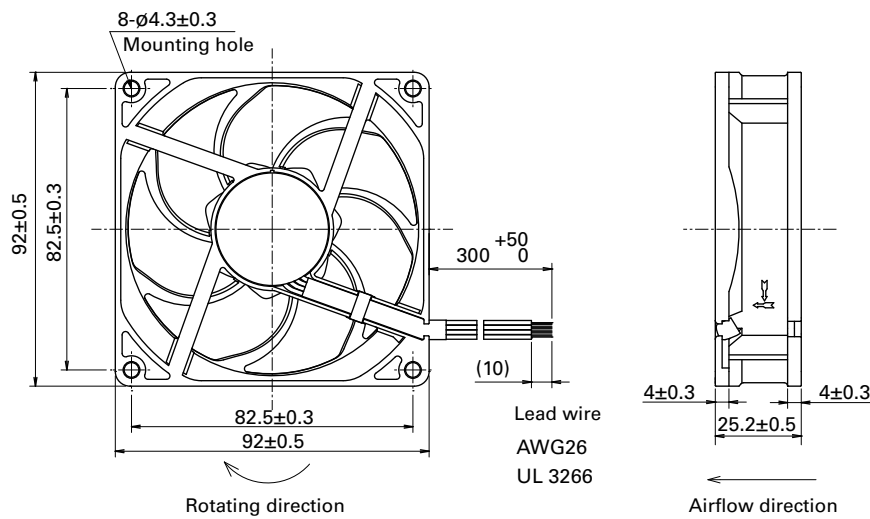
Operating voltage range



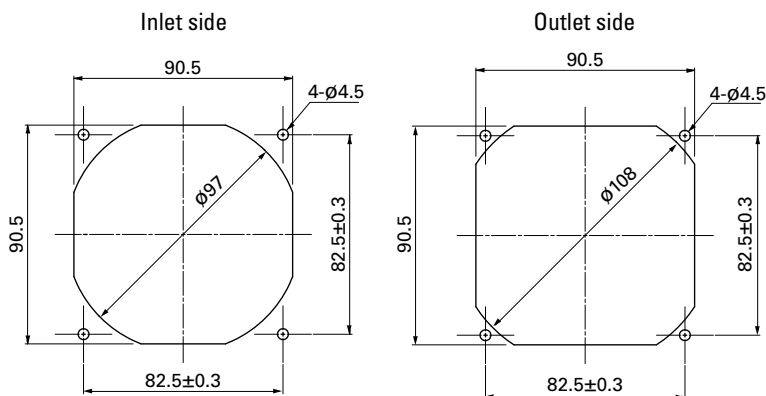
PWM duty - Speed characteristics example



## Dimensions (unit: mm)



## Reference Dimensions of Mounting Holes and Vent Opening (unit: mm)



## Options

Finger guards

page: p. 558

Model no.: 109-099E, 109-099H, 109-099C

DC  
Wide Temperature Range Fan 92 mm sq.



# 92x92x38 mm

San Ace 92T 9GT type

## General Specifications

- Material ..... Frame: Aluminum, Impeller: Plastic (Flammability: UL 94V-1)
- Expected life ..... See the table below. (L10 life: 90% survival rate for continuous operation in free air at 85°C, rated voltage) Expected life at 40°C is for reference only.
- Motor protection function ..... Locked rotor burnout protection, Reverse polarity protection For details, please refer to p. 573.
- Dielectric strength ..... 50/60 Hz, 500 VAC, for 1 minute (between lead wire conductors and frame)
- Insulation resistance ..... 10 MΩ or more with a 500 VDC megger (between lead wire conductors and frame)
- Sound pressure level (SPL) ..... At 1 m away from the air inlet
- Storage temperature ..... -40 to +85°C (Non-condensing)
- Lead wire ..... ⊕Red ⊖Black  Sensor  Yellow  Control  Brown
- Mass ..... 270 g

## Specifications

The models listed below **have pulse sensors with PWM control function.**

Model no.	Rated voltage [V]	Operating voltage range [V]	PWM duty cycle* [%]	Rated current [A]	Rated input [W]	Rated speed [min <sup>-1</sup> ]	Max. airflow [m <sup>3</sup> /min] [CFM]	Max. static pressure [Pa] [inchH <sub>2</sub> O]	SPL [dB (A)]	Operating temperature [°C]	Expected life [h]
▶▶ 9GT0912P1M001	12	10.2 to 13.8	100	1.5	18.0	8100	3.3 116.6	315 1.26	58	-40 to +85	40000/85°C (162000/40°C)
			30	0.3	3.6	3750	1.5 53.0	72.0 0.29	37		
▶▶ 9GT0924P1M001	24	20.4 to 27.6	100	0.75	18.0	8100	3.3 116.6	315 1.26	58		
			30	0.15	3.6	3750	1.5 53.0	72.0 0.29	37		

\* PWM input frequency is 25 kHz; models without specifications at 0% PWM duty cycle have zero fan speed at 0%.

The following sensor and control options are available for selection.

Available for all models. **Without sensor** **Lock sensor**

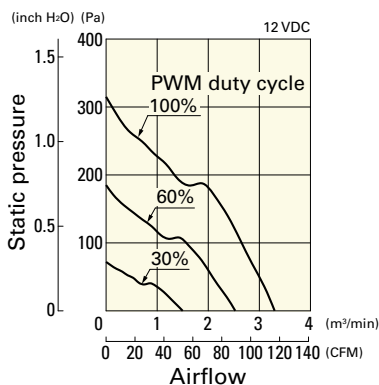
Differs according to the model. Refer to the table on p. 606. **Pulse sensor**

The ▶▶ mark indicates Short LeadTime Service applicable models. See p. 626 for details.

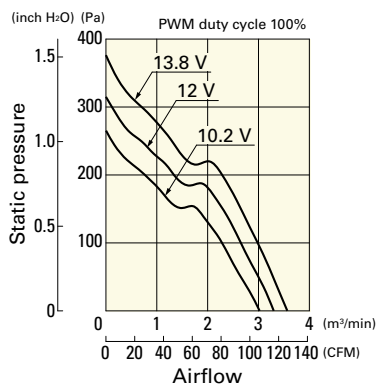
## Airflow - Static Pressure Characteristics / PWM Duty - Speed Characteristics Example

9GT0912P1M001 With pulse sensor with PWM control function

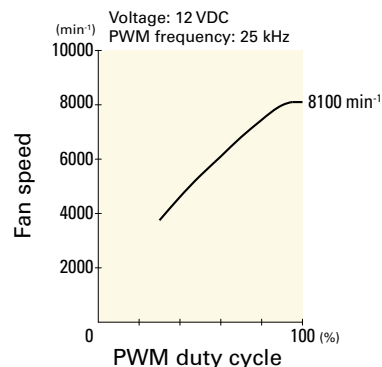
PWM duty cycle



Operating voltage range



PWM duty - Speed characteristics example

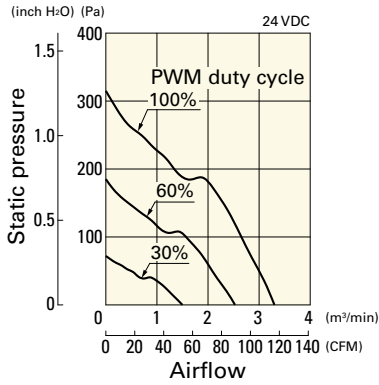




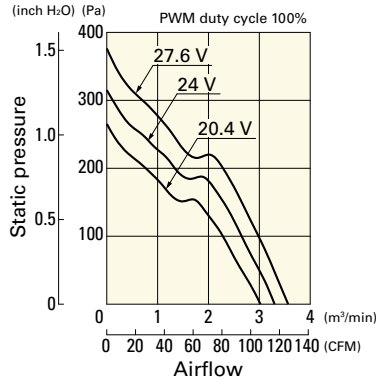
## Airflow - Static Pressure Characteristics / PWM Duty - Speed Characteristics Example

9GT0924P1M001 With pulse sensor with PWM control function

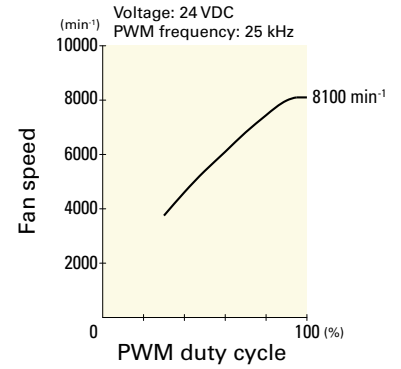
PWM duty cycle



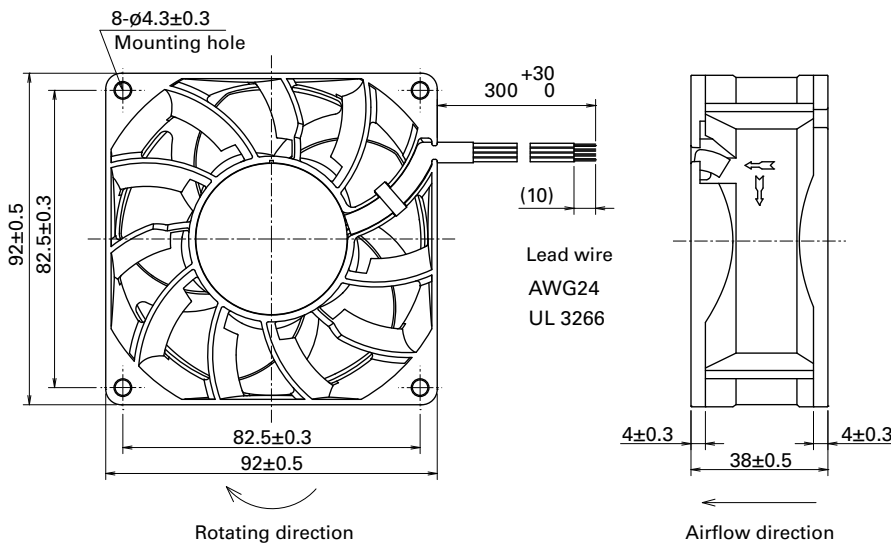
Operating voltage range



PWM duty - Speed characteristics example

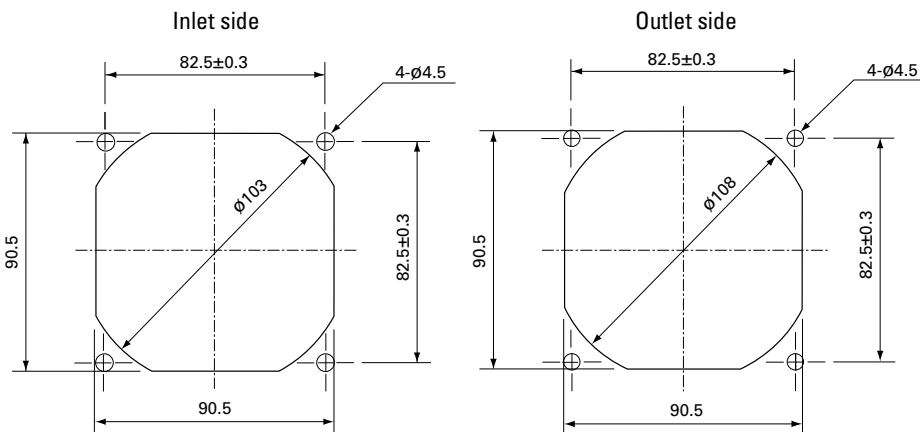


## Dimensions (unit: mm)



DC  
Wide Temperature Range Fan 92 mm sq.

## Reference Dimensions of Mounting Holes and Vent Opening (unit: mm)



## Options

Finger guards

page: p. 558

Model no.: 109-099E, 109-099H, 109-099C



# 120×120×38 mm

San Ace 120T 9GT type US

## General Specifications

- Material ..... Frame: Aluminum, Impeller: Plastic (Flammability: UL 94V-1)
- Expected life ..... See the table below. (L10 life: 90% survival rate for continuous operation in free air at 85°C, rated voltage)  
Expected life at 40°C is for reference only.
- Motor protection function ..... Locked rotor burnout protection, Reverse polarity protection  
For details, please refer to p. 573.
- Dielectric strength ..... 50/60 Hz, 500 VAC, for 1 minute (between lead wire conductors and frame)
- Insulation resistance ..... 10 MΩ or more with a 500 VDC megger (between lead wire conductors and frame)
- Sound pressure level (SPL) ..... At 1 m away from the air inlet
- Storage temperature ..... -40 to +85°C (Non-condensing)
- Lead wire ..... ⊕Red ⊖Black  Sensor  Yellow  Control  Brown
- Mass ..... 420 g

## Specifications

The models listed below **have pulse sensors with PWM control function.**

Model no.	Rated voltage [V]	Operating voltage range [V]	PWM duty cycle* [%]	Rated current [A]	Rated input [W]	Rated speed [min <sup>-1</sup> ]	Max. airflow [m <sup>3</sup> /min] [CFM]	Max. static pressure [Pa] [inchH <sub>2</sub> O]	SPL [dB (A)]	Operating temperature [°C]	Expected life [h]
9GT1212P1S001	12	9.0 to 13.8	100	2.2	26.4	5600	6.0 211.8	270 1.08	58	-40 to +85	40000/85°C (162000/40°C)
			35	0.48	5.76	2900	3.0 106.0	85.6 0.34	41		
9GT1224P1S001	24	18.0 to 27.6	100	1.1	26.4	5600	6.0 211.8	270 1.08	58		
			35	0.24	5.76	2900	3.0 106.0	85.6 0.34	41		

\* PWM input frequency is 25 kHz; models without specifications at 0% PWM duty cycle have zero fan speed at 0%.

The following sensor and control options are available for selection.

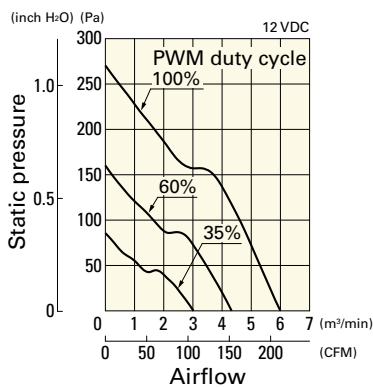
Differs according to the model. Refer to the table on p. 606.  Without sensor  Lock sensor

The mark indicates Short LeadTime Service applicable models. See p. 626 for details.

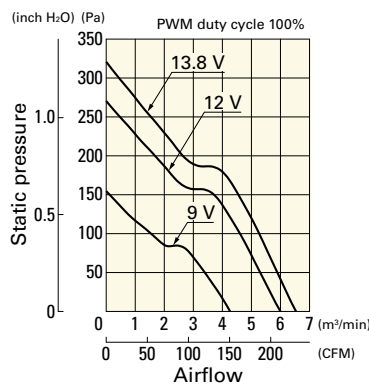
## Airflow - Static Pressure Characteristics / PWM Duty - Speed Characteristics Example

**9GT1212P1S001** With pulse sensor with PWM control function

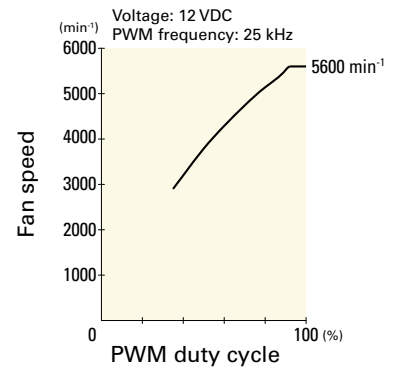
PWM duty cycle



Operating voltage range



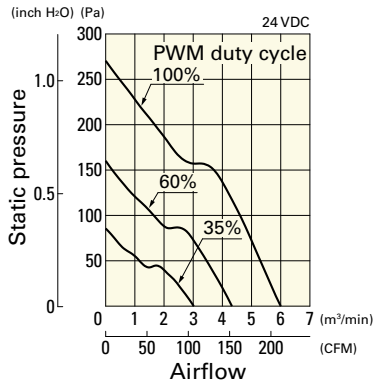
PWM duty - Speed characteristics example



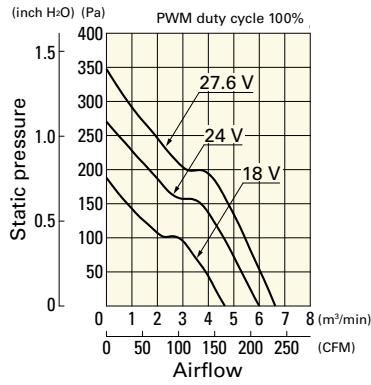
## Airflow - Static Pressure Characteristics / PWM Duty - Speed Characteristics Example

9GT1224P1S001 With pulse sensor with PWM control function

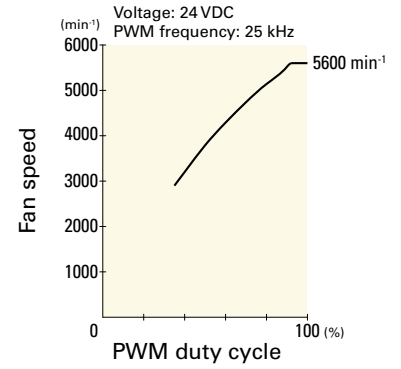
PWM duty cycle



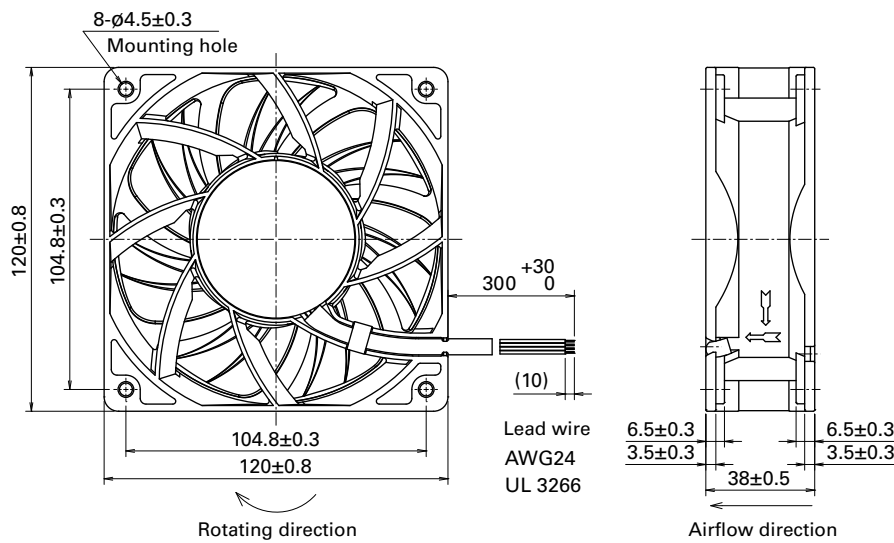
Operating voltage range



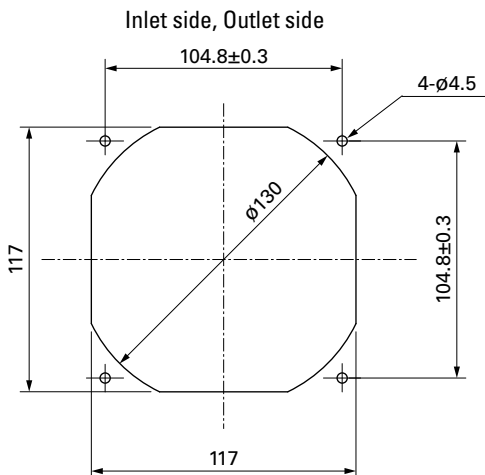
PWM duty - Speed characteristics example



## Dimensions (unit: mm)



## Reference Dimensions of Mounting Holes and Vent Opening (unit: mm)



## Options

Finger guards

page: p. 559

Model no.: 109-019E, 109-019K, 109-019C, 109-019H

DC

Wide Temperature Range Fan 120 mm sq.



# G Proof Fan

These fans are suitable for cooling CT scanners and other devices subject to high G-force or vibration.

**Model Numbering System** Not every combination of the following codes or characters is available. Contact us for an available combination.

9GP	12	24	P	1	G	001
Type name	Frame size	Voltage	PWM control function	Frame thickness	Speed code	Individual customer's spec (3 digits)

Type name	9GP	
Frame size (mm)	12	57
	120×120	Ø172×150 (sidecut)
Voltage (V)	24	48
	24	48
Frame thickness (mm)	1	5
	38	51
Speed code	G	H



# 120x120x38 mm

San Ace 120GP 9GP type

## General Specifications

- Material ..... Frame: Aluminum (Black coating), Impeller: Plastic (Flammability: UL 94V-1)
- Expected life ..... See the table below. (L10 life: 90% survival rate for continuous operation in free air at 60°C, rated voltage)  
Expected life at 40°C is for reference only.
- Motor protection function ..... Locked rotor burnout protection, Reverse polarity protection  
For details, please refer to p. 573.
- Dielectric strength ..... 50/60 Hz, 500 VAC, for 1 minute (between lead wire conductors and frame)
- Insulation resistance ..... 10 MΩ or more with a 500 VDC megger (between lead wire conductors and frame)
- Sound pressure level (SPL) ..... At 1 m away from the air inlet
- Storage temperature ..... -30 to +70°C (Non-condensing)
- Lead wire ..... ⊕Red ⊖Black  Sensor  Yellow  Control  Brown
- Mass ..... 440 g
- G-force tolerance ..... 735 m/s<sup>2</sup> (75 G) for 1,000 h (Measured with our G-force testing machine.)

## Specifications

The models listed below **have pulse sensors with PWM control function.**

Model no.	Rated voltage [V]	Operating voltage range [V]	PWM duty cycle [%]	Rated current [A]	Rated input [W]	Rated speed [min <sup>-1</sup> ]	Max. airflow [m <sup>3</sup> /min] [CFM]	Max. static pressure [Pa] [inchH <sub>2</sub> O]	SPL [dB (A)]	Operating temperature [°C]	Expected life [h]
9GP1224P1G001	24	15 to 30	100	1.6	38.4	6550	7.0 247	370 1.48	62	-20 to +70	40000/60°C (70000/40°C)
			20	0.12	2.88	2000	2.13 75.2	34.4 0.13	36		
9GP1248P1G001	48	36 to 60	100	0.8	38.4	6550	7.0 247	370 1.48	62		
			20	0.08	3.84	2000	2.13 75.2	34.4 0.13	36		

\* PWM input frequency is 25 kHz; models without specifications at 0% PWM duty cycle have zero fan speed at 0%.

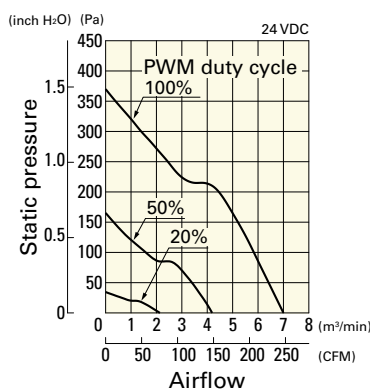
The following sensor and control options are available for selection.

Differs according to the model. Refer to the table on p. 605.  Without sensor

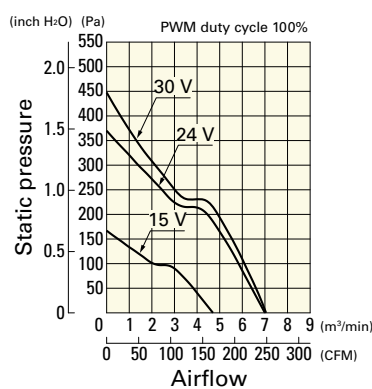
## Airflow - Static Pressure Characteristics / PWM Duty - Speed Characteristics Example

**9GP1224P1G001** With pulse sensor with PWM control function

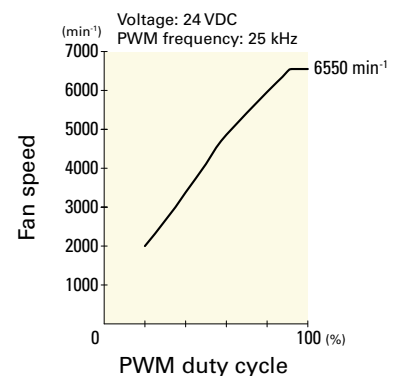
PWM duty cycle



Operating voltage range



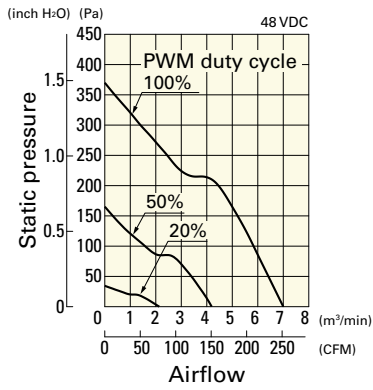
PWM duty - Speed characteristics example



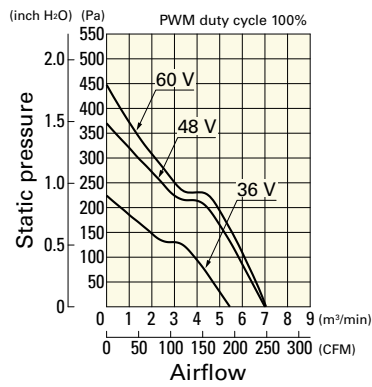
## Airflow - Static Pressure Characteristics / PWM Duty - Speed Characteristics Example

**9GP1248P1G001** With pulse sensor with PWM control function

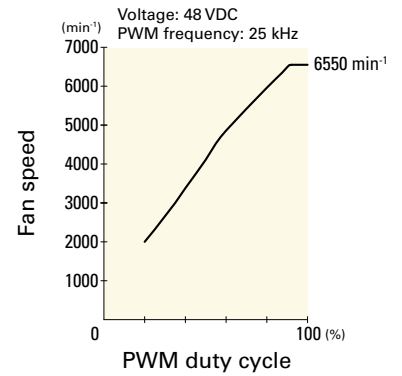
PWM duty cycle



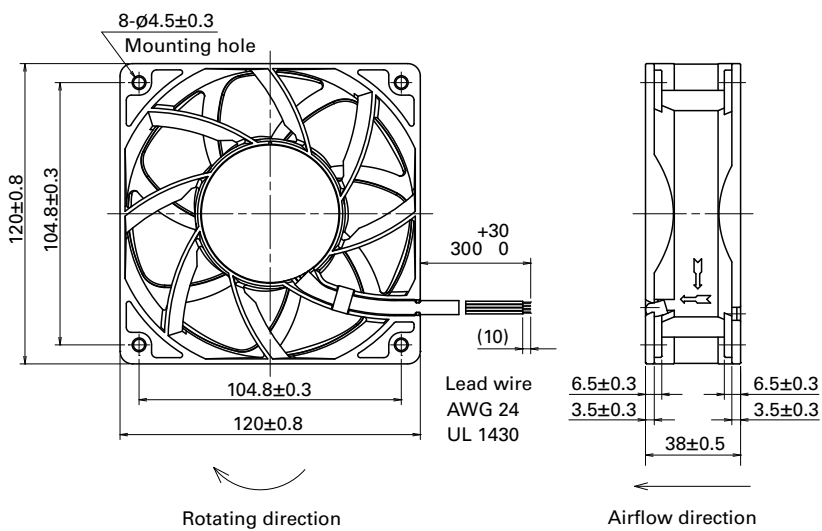
Operating voltage range



PWM duty - Speed characteristics example

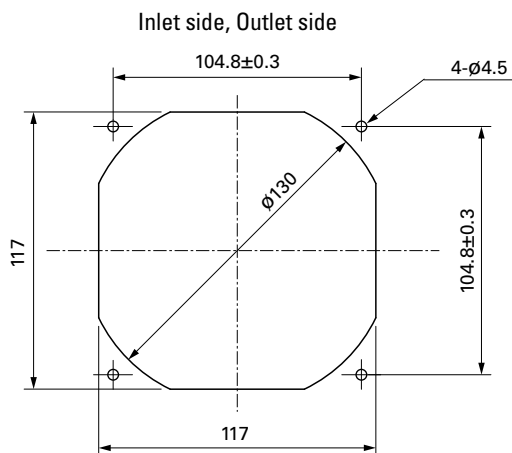


## Dimensions (unit: mm)



DC  
G Prof Fan 120 mm sq.

## Reference Dimensions of Mounting Holes and Vent Opening (unit: mm)



## Options

### Finger guards

page: p. 559

Model no.: 109-019E, 109-019K, 109-019C, 109-019H

### Resin finger guards

page: p. 565

Model no.: 109-1000G

### Resin filter kits

page: p. 566

Model no.: 109-1000F13 (13PPI), 109-1000F20 (20PPI),  
109-1000F30 (30PPI), 109-1000F40 (40PPI)



# Ø 172x150x51 mm

San Ace 172GP 9GP type US

Sidecut type

## General Specifications

- Material ..... Frame: Aluminum (Black coating), Impeller: Plastic (Flammability: UL 94V-1)
- Expected life ..... See the table below. (L10 life: 90% survival rate for continuous operation in free air at 60°C, rated voltage) Expected life at 40°C is for reference only.
- Motor protection function ..... Locked rotor burnout protection, Reverse polarity protection  
For details, please refer to p. 573.
- Dielectric strength ..... 50/60 Hz, 500 VAC, for 1 minute (between lead wire conductors and frame)
- Insulation resistance ..... 10 MΩ or more with a 500 VDC megger (between lead wire conductors and frame)
- Sound pressure level (SPL) ..... At 1 m away from the air inlet
- Storage temperature ..... -30 to +70°C (Non-condensing)
- Lead wire ..... ⊕Red ⊖Black  Sensor  Yellow  Control  Brown
- Mass ..... 880 g
- G-force tolerance ..... 735 m/s<sup>2</sup> (75 G) for 1,000 h (Measured with our G-force testing machine.)

## Specifications

The models listed below **have pulse sensors with PWM control function.**

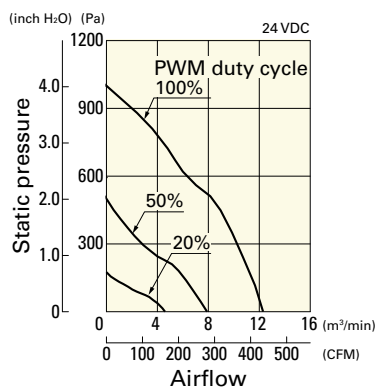
Model no.	Rated voltage [V]	Operating voltage range [V]	PWM duty cycle [%]	Rated current [A]	Rated input [W]	Rated speed [min <sup>-1</sup> ]	Max. airflow [m <sup>3</sup> /min] [CFM]	Max. static pressure [Pa] [inchH <sub>2</sub> O]	SPL [dB (A)]	Operating temperature [°C]	Expected life [h]
9GP5724P5H001	24	16 to 30	100	5.0	120	8000	12.3 434	1000 4.02	77	-20 to +70	40000/60°C (70000/40°C)
			20	0.5	12.0	3000	4.6 162	175 0.7	51		
9GP5748P5G001	48	36 to 72	100	5.0	240	10500	16.1 568	1600 6.43	83		
			20	0.41	19.7	3700	5.6 198	250 1.01	57		

\* PWM input frequency is 25 kHz; models without specifications at 0% PWM duty cycle have zero fan speed at 0%.

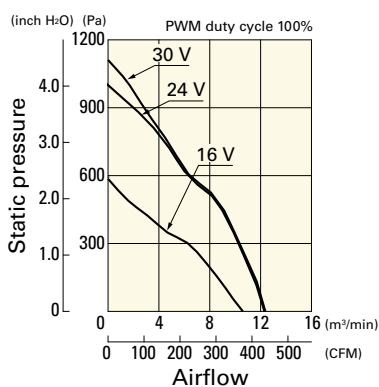
## Airflow - Static Pressure Characteristics / PWM Duty - Speed Characteristics Example

**9GP5724P5H001** With pulse sensor with PWM control function

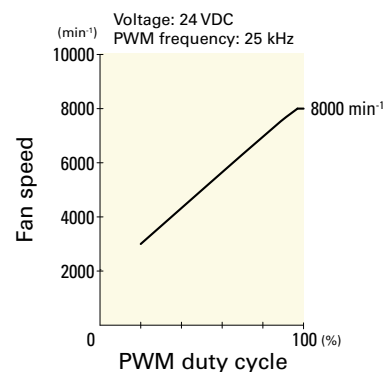
PWM duty cycle



Operating voltage range



PWM duty - Speed characteristics example

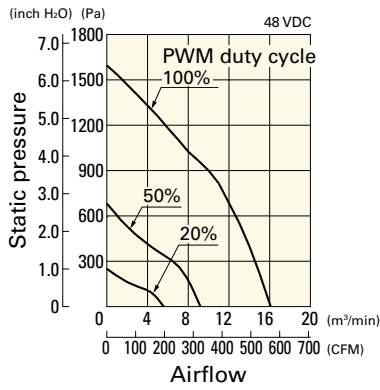




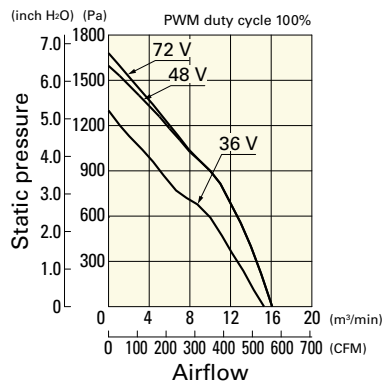
## Airflow - Static Pressure Characteristics / PWM Duty - Speed Characteristics Example

**9GP5748P5G001** With pulse sensor with PWM control function

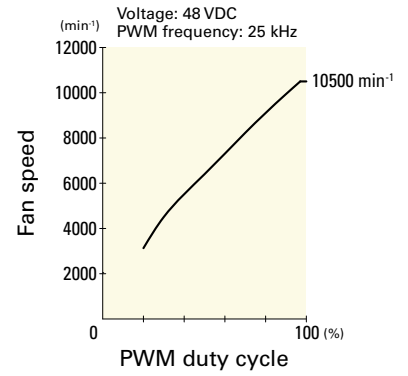
PWM duty cycle



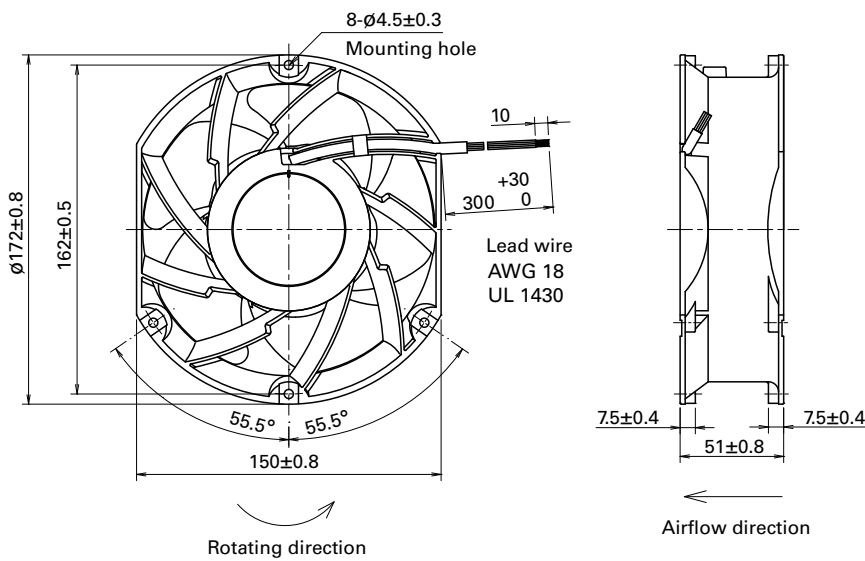
Operating voltage range



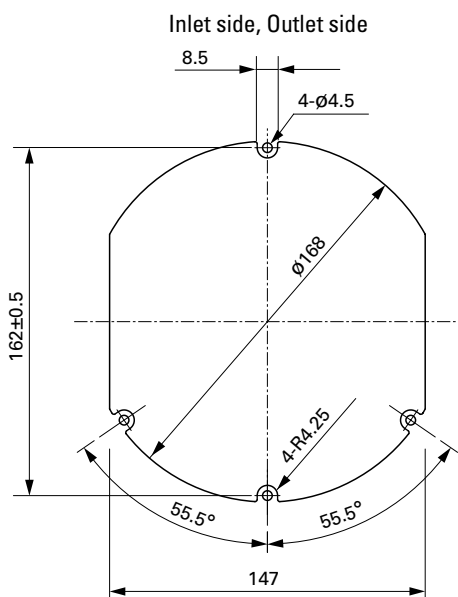
PWM duty - Speed characteristics example



## Dimensions (unit: mm)



## Reference Dimensions of Mounting Holes and Vent Opening (unit: mm)



## Options

Finger guards

page: p. 560

Model no.: 109-319J, 109-319E, 109-319H, 109-320

DC  
G Proof Fan  $\phi$ 172 mm



# Centrifugal Fan

Cooling fan blows air in a centrifugal course. It features high static pressure.

Related product: Splash Proof Centrifugal Fan p. 321

**Model Numbering System** Not every combination of the following codes or characters is available. Contact us for an available combination.

<b>9T</b>	<b>M</b>	<b>48</b>	<b>P</b>	<b>4</b>	<b>H</b>	<b>01</b>
Type name	Impeller size	Voltage	PWM control function	Thickness	Speed code	Individual customer's spec. (2 to 3 digits)

Bracket-mounted Centrifugal Fan

<b>9B1T</b>	<b>P</b>	<b>48</b>	<b>P</b>	<b>0</b>	<b>H</b>	<b>001</b>
Type name	Impeller size	Voltage	PWM control function	Thickness	Speed code	Individual customer's spec. (3 digits)

Type name	9B1T	9T				
Impeller size (mm)	G, GA ∅175	J ∅133	M ∅100	N ∅150	P ∅221	S ∅225
Voltage (V)	24	48				
Thickness (mm)	0 69 min., 99, 119	1 35	4 25			
Speed code	H	G	etc.			



# ∅100x25 mm

San Ace C100 9TM type

## General Specifications

- Material ..... Motor case: Aluminum (Black coating), Impeller: Plastic (Flammability: UL 94V-0)
- Expected life ..... See the table below. (L10 life: 90% survival rate for continuous operation in free air at 60°C, rated voltage) Expected life at 40°C is for reference only.
- Motor protection function ..... Locked rotor burnout protection, Reverse polarity protection  
For details, please refer to p. 573.
- Dielectric strength ..... 50/60 Hz, 500 VAC, for 1 minute (between lead wire conductors and motor case)
- Insulation resistance ..... 10 MΩ or more with a 500 VDC megger (between lead wire conductors and motor case)
- Sound pressure level (SPL) ..... At 1 m away from the air inlet
- Storage temperature ..... -30 to +70°C (Non-condensing)
- Lead wire ..... ⊕Red ⊖Black  Sensor  Yellow  Control  Brown
- Mass ..... 150 g

## Specifications When the optional inlet nozzle (109-1080) is mounted.

The models listed below **have pulse sensors with PWM control function.**

Model no.	Rated voltage [V]	Operating voltage range [V]	PWM duty cycle [%]	Rated current [A]	Rated input [W]	Rated speed [min <sup>-1</sup> ]	Max. airflow [m <sup>3</sup> /min] [CFM]	Max. static pressure [Pa] [inchH <sub>2</sub> O]	SPL [dB (A)]	Operating temperature [°C]	Expected life [h]
9TM24P4H01	24	21.6 to 26.4	100	0.44	10.56	6400	1.77 62.5	560 2.25	60	-20 to +70	40000/60°C (70000/40°C)
			0	0.05	1.2	2000	0.51 18.0	48 0.19	34		
9TM48P4H01	48	36 to 60	100	0.22	10.56	6400	1.77 62.5	560 2.25	60		
			0	0.04	1.92	2000	0.51 18.0	48 0.19	34		

\* PWM input frequency is 25 kHz; models without specifications at 0% PWM duty cycle have zero fan speed at 0%.  
Max input is 14 W at rated voltage.

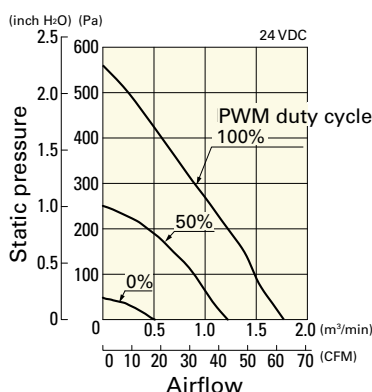
The following sensor and control options are available for selection.

Differs according to the model. Refer to the table on p. 610. **Without sensor**

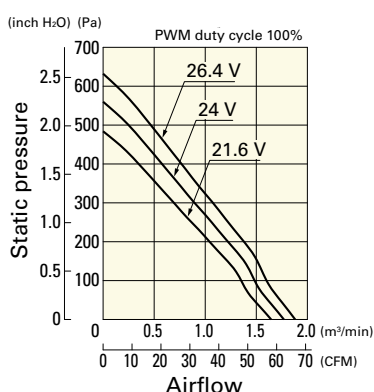
## Airflow - Static Pressure Characteristics / PWM Duty - Speed Characteristics Example

**9TM24P4H01** With pulse sensor with PWM control function

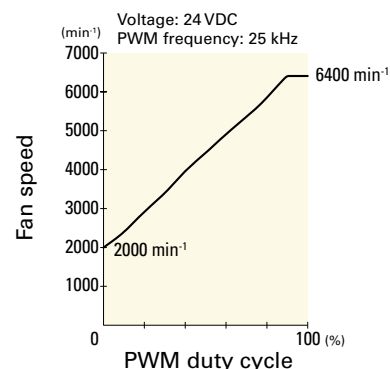
PWM duty cycle



Operating voltage range



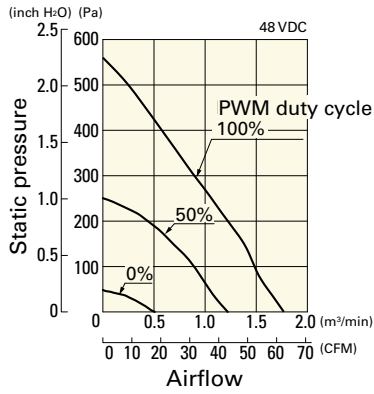
PWM duty - Speed characteristics example



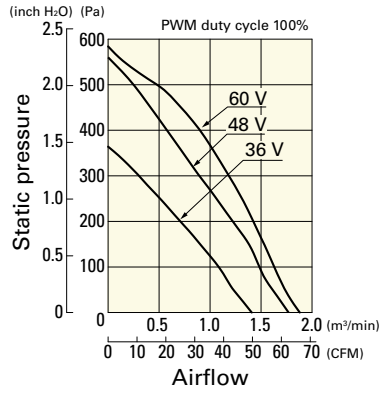
## Airflow - Static Pressure Characteristics / PWM Duty - Speed Characteristics Example

**9TM48P4H01** With pulse sensor with PWM control function

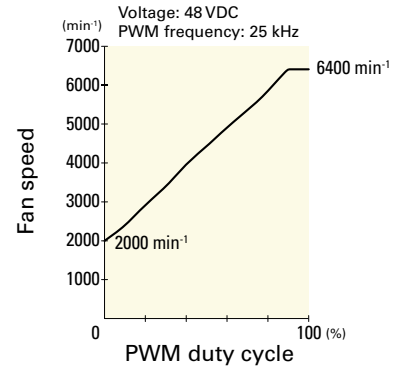
PWM duty cycle



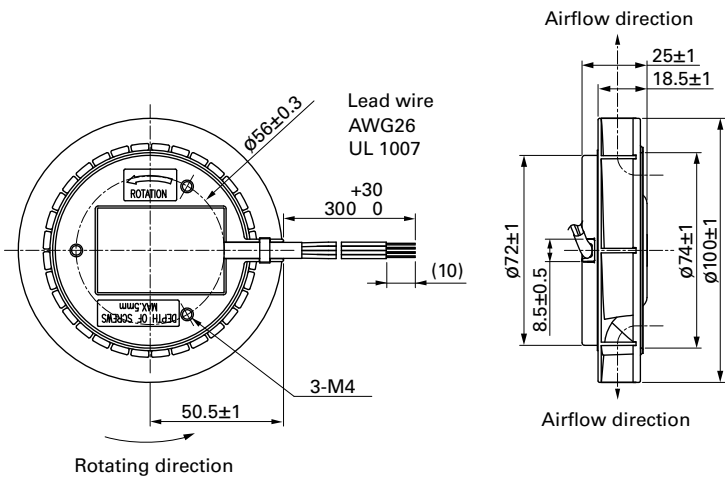
Operating voltage range



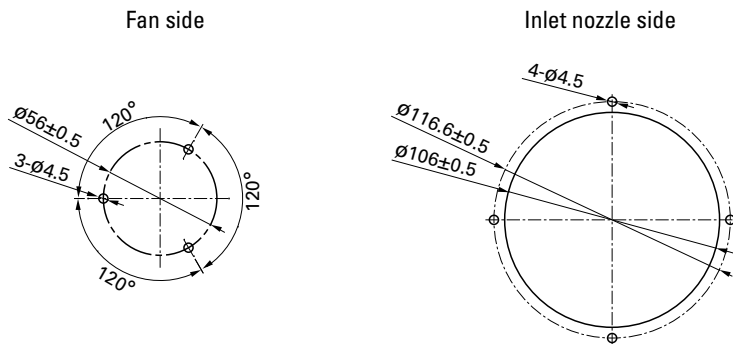
PWM duty - Speed characteristics example



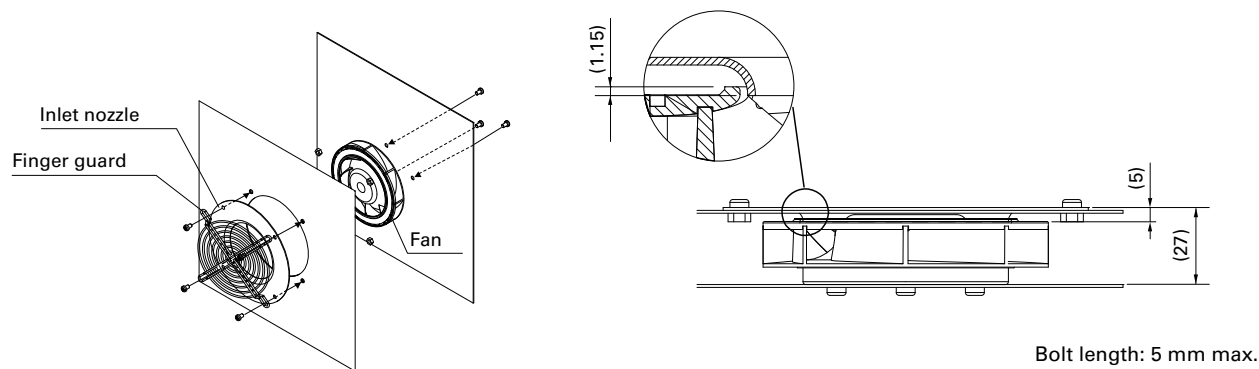
## Dimensions (unit: mm)



## Reference Dimensions of Mounting Holes and Vent Opening (unit: mm)



## Reference Diagram for Mounting



DC  
Centrifugal Fan Ø100 mm

## Options

---

### Finger guards

page: p. 558

Model no.: 109-099E, 109-099H

### Inlet nozzle

page: p. 563

Model no.: 109-1080, 109-1080H



# Ø133x91 mm

San Ace C133 9TJ type

## General Specifications

- Material ..... Motor case: Aluminum (Black coating), Impeller: Plastic (Flammability: UL 94V-0)
- Expected life ..... See the table below. (L10 life: 90% survival rate for continuous operation in free air at 60°C, rated voltage) Expected life at 40°C is for reference only.
- Motor protection function ..... Locked rotor burnout protection, Reverse polarity protection  
For details, please refer to p. 573.
- Dielectric strength ..... 50/60 Hz, 500 VAC, for 1 minute (between lead wire conductors and motor case)
- Insulation resistance ..... 10 MΩ or more with a 500 VDC megger (between lead wire conductors and motor case)
- Sound pressure level (SPL) ..... At 1 m away from the air inlet
- Storage temperature ..... -30 to +70°C (Non-condensing)
- Lead wire ..... ⊕Red ⊖Black  Sensor  Yellow  Control  Brown
- Mass ..... 660 g

## Specifications When the optional inlet nozzle (109-1069) is mounted.

The models listed below **have pulse sensors with PWM control function.**

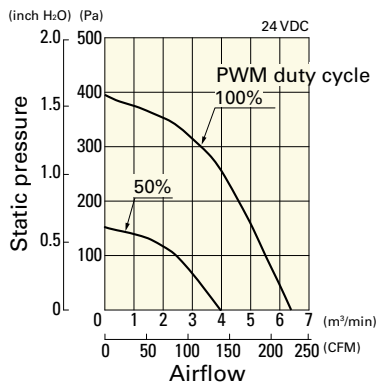
Model no.	Rated voltage [V]	Operating voltage range [V]	PWM duty cycle [%]	Rated current [A]	Rated input [W]	Rated speed [min <sup>-1</sup> ]	Max. airflow [m <sup>3</sup> /min] [CFM]	Max. static pressure [Pa] [inchH <sub>2</sub> O]	SPL [dB (A)]	Operating temperature [°C]	Expected life [h]
9TJ24P0H61	24	20.4 to 27.6	100	1.2	28.8	4150	6.39 226	395 1.59	61	-20 to +70	40000/60°C (70000/40°C)
9TJ48P0H01	48	36 to 72	100	0.55	26.4	4150	6.39 226	395 1.59	61		

\* PWM input frequency is 25 kHz; models without specifications at 0% PWM duty cycle have zero fan speed at 0%.

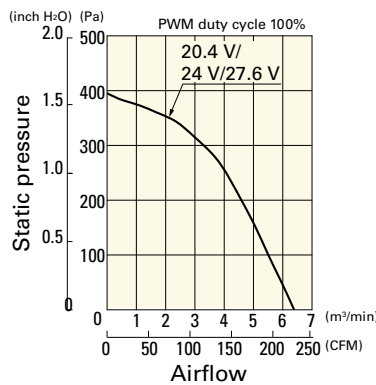
## Airflow - Static Pressure Characteristics / PWM Duty - Speed Characteristics Example

### 9TJ24P0H61 With pulse sensor with PWM control function

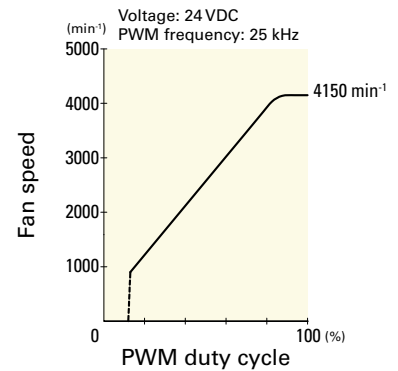
PWM duty cycle



Operating voltage range

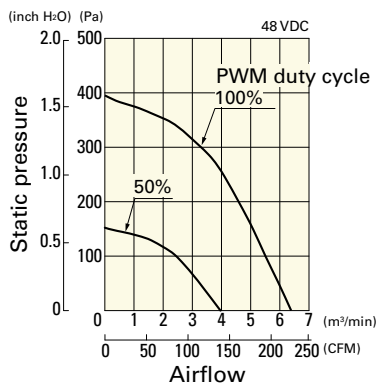


PWM duty - Speed characteristics example

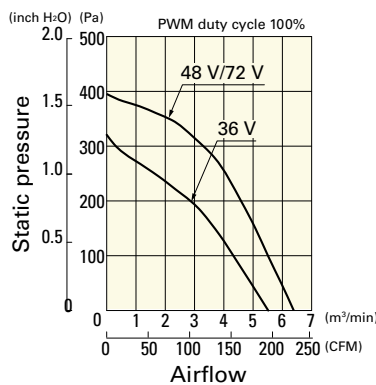


### 9TJ48P0H01 With pulse sensor with PWM control function

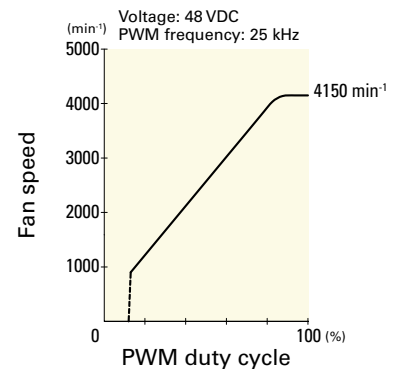
PWM duty cycle



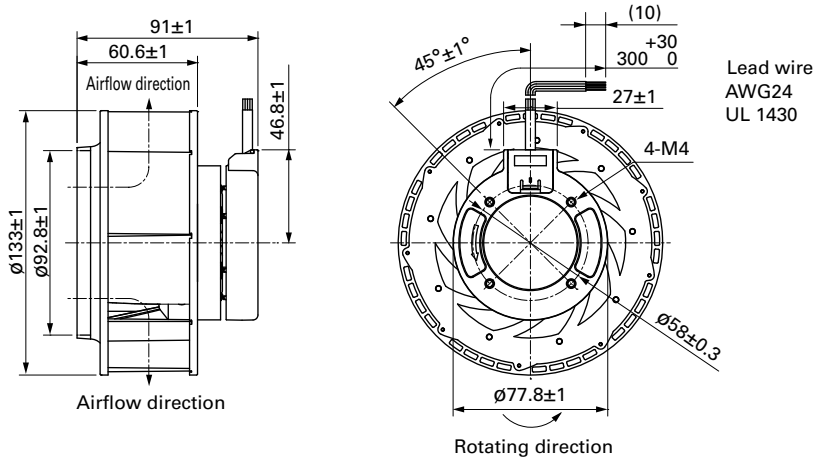
Operating voltage range



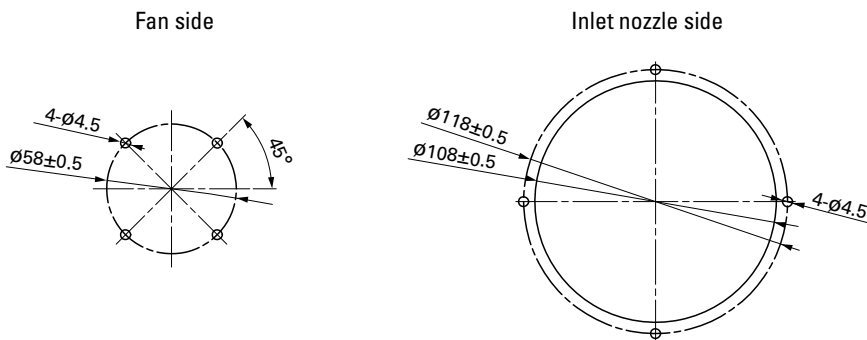
PWM duty - Speed characteristics example



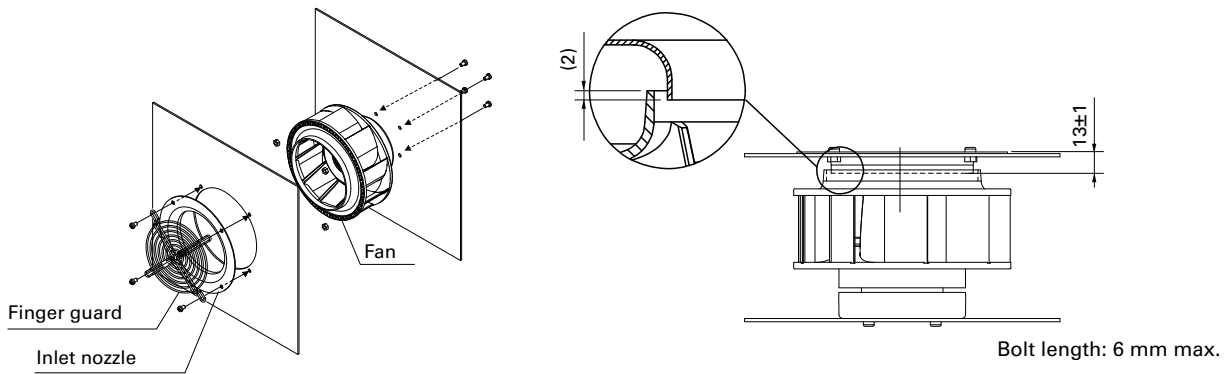
## Dimensions (unit: mm)



## Reference Dimensions of Mounting Holes and Vent Opening (unit: mm)



## Reference Diagram for Mounting



## Options

### Finger guards

page: p. 559

Model no.: 109-1112

### Inlet nozzle

page: p. 563

Model no.: 109-1069, 109-1069H





# Ø150x35 mm

San Ace C150 9TN type

## General Specifications

- Material ..... Motor case: Aluminum (Black coating), Impeller: Plastic (Flammability: UL 94V-0)
- Expected life ..... See the table below. (L10 life: 90% survival rate for continuous operation in free air at 60°C, rated voltage) Expected life at 40°C is for reference only.
- Motor protection function ..... Locked rotor burnout protection, Reverse polarity protection For details, please refer to p. 573.
- Dielectric strength ..... 50/60 Hz, 500 VAC, for 1 minute (between lead wire conductors and motor case)
- Insulation resistance ..... 10 MΩ or more with a 500 VDC megger (between lead wire conductors and motor case)
- Sound pressure level (SPL) ..... At 1 m away from the air inlet
- Storage temperature ..... -30 to +70°C (Non-condensing)
- Lead wire ..... ⊕Red ⊖Black  Sensor  Yellow  Control  Brown
- Mass ..... 330 g

## Specifications When the optional inlet nozzle (109-1081) is mounted.

The models listed below **have pulse sensors with PWM control function.**

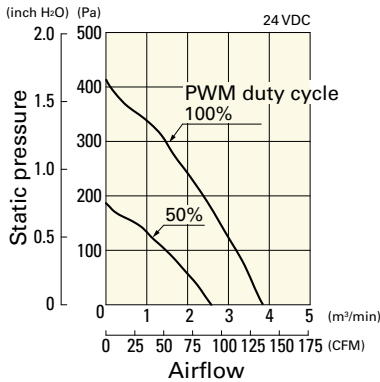
Model no.	Rated voltage [V]	Operating voltage range [V]	PWM duty cycle [%]	Rated current [A]	Rated input [W]	Rated speed [min <sup>-1</sup> ]	Max. airflow [m <sup>3</sup> /min] [CFM]	Max. static pressure [Pa] [inchH <sub>2</sub> O]	SPL [dB (A)]	Operating temperature [°C]	Expected life [h]
9TN24P1H01	24	20.4 to 27.6	100	0.62	14.9	3800	3.83 135	410 1.65	59	-20 to +70	40000/60°C (70000/40°C)
9TN48P1H01	48	36.0 to 55.2	100	0.32	15.4	3800	3.83 135	390 1.57	59		

\* PWM input frequency is 25 kHz; models without specifications at 0% PWM duty cycle have zero fan speed at 0%.  
Max input of 9TN24P1H01: 21.4 W, 9TN48P1H01: 22 W.

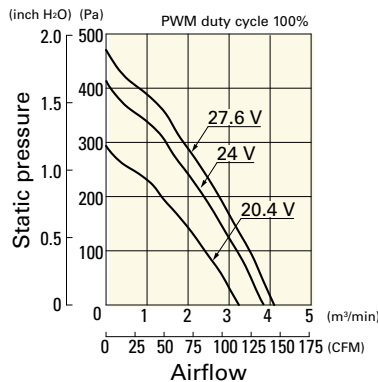
## Airflow - Static Pressure Characteristics / PWM Duty - Speed Characteristics Example

### 9TN24P1H01 With pulse sensor with PWM control function

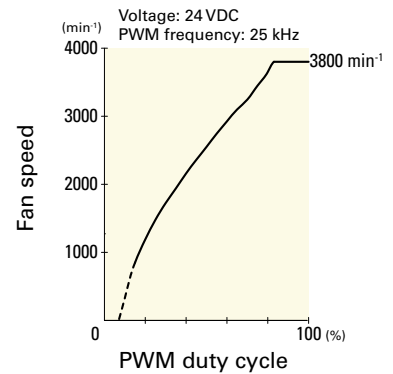
PWM duty cycle



Operating voltage range

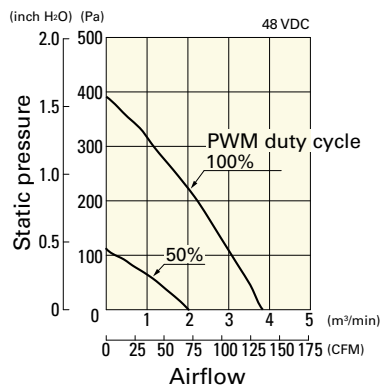


PWM duty - Speed characteristics example

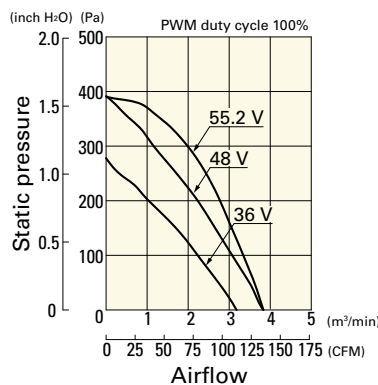


### 9TN48P1H01 With pulse sensor with PWM control function

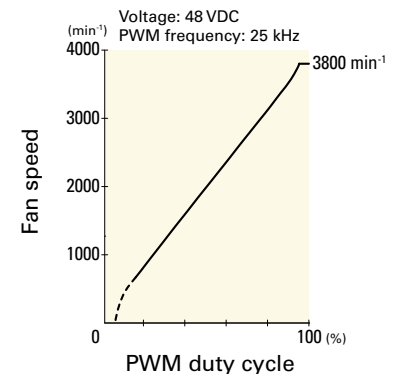
PWM duty cycle



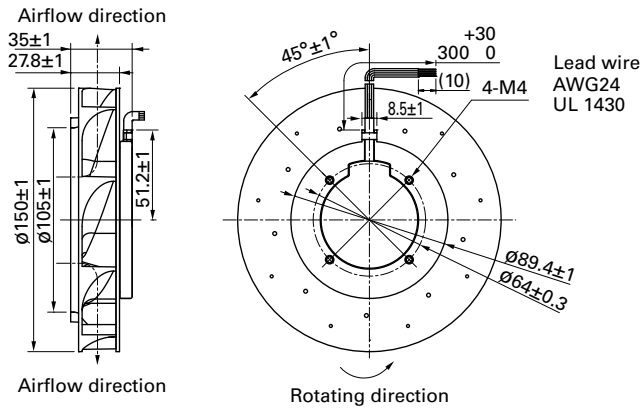
Operating voltage range



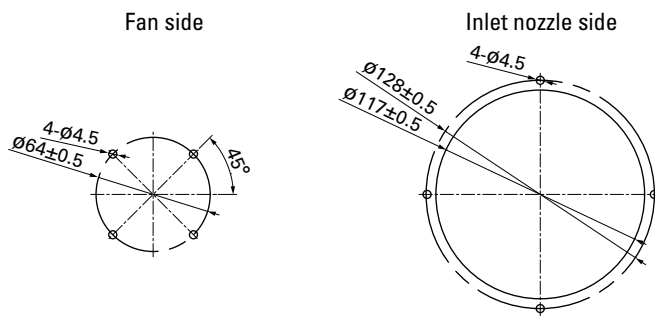
PWM duty - Speed characteristics example



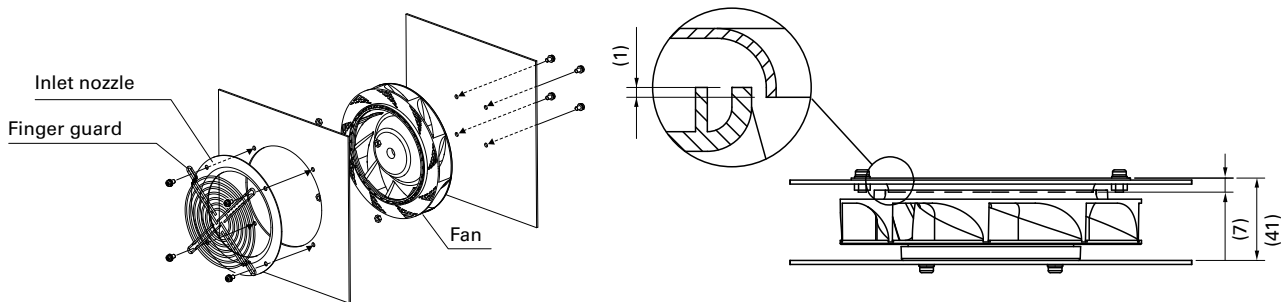
## Dimensions (unit: mm)



## Reference Dimensions of Mounting Holes and Vent Opening (unit: mm)



## Reference Diagram for Mounting



Bolt length: 4 to 6 mm.

## Options

### Finger guards

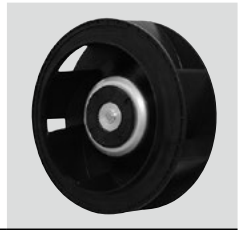
page: p. 559

Model no.: 109-1104, 109-1104H

### Inlet nozzle

page: p. 563

Model no.: 109-1081, 109-1081H



Ø 175x69 mm

San Ace C175 9TGA type

**General Specifications**

- Material ..... Motor case: Aluminum (Black coating), Impeller: Plastic (Flammability: UL 94V-0)
- Expected life ..... See the table below. (L10 life: 90% survival rate for continuous operation in free air at 60°C, rated voltage) Expected life at 40°C is for reference only.
- Motor protection function ..... Locked rotor burnout protection, Reverse polarity protection For details, please refer to p. 573.
- Dielectric strength ..... 50/60 Hz, 500 VAC, for 1 minute (between lead wire conductors and motor case)
- Insulation resistance ..... 10 MΩ or more with a 500 VDC megger (between lead wire conductors and motor case)
- Sound pressure level (SPL) ..... At 1 m away from the air inlet
- Storage temperature ..... -30 to +70°C (Non-condensing)
- Lead wire ..... ⊕Red ⊖Black  Sensor  Yellow  Control  Brown
- Mass ..... 720 g

**Specifications** When the optional inlet nozzle (109-1073) is mounted.

The models listed below **have pulse sensors with PWM control function.**

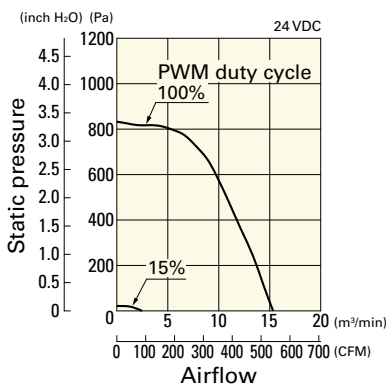
Model no.	Rated voltage [V]	Operating voltage range [V]	PWM duty cycle [%]	Rated current [A]	Rated input [W]	Rated speed [min <sup>-1</sup> ]	Max. airflow [m <sup>3</sup> /min] [CFM]	Max. static pressure [Pa] [inchH <sub>2</sub> O]	SPL [dB (A)]	Operating temperature [°C]	Expected life [h]
9TGA24P0H001	24	16 to 36	100	4.8	115	4950	15.3 541	830 3.33	77	-20 to +70	40000/60°C (70000/40°C)
			15	0.14	3.36	800	2.5 88.3	21.8 0.088	38		
9TGA48P0G001	48	36 to 72	100	3.5	168	5700	17.6 622	1100 4.42	80		
			15	0.07	3.36	800	2.5 88.3	21.8 0.088	38		

\* PWM input frequency is 25 kHz; models without specifications at 0% PWM duty cycle have zero fan speed at 0%.  
Max input of 9TGA24P0H001: 210 W, 9TGA48P0G001: 325 W at rated voltage.

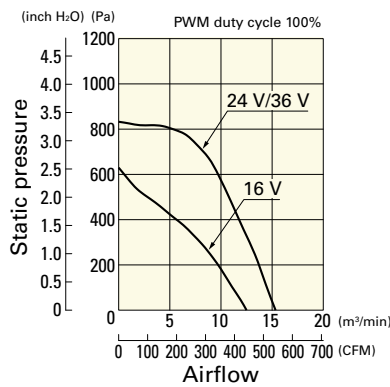
**Airflow - Static Pressure Characteristics / PWM Duty - Speed Characteristics Example**

**9TGA24P0H001** With pulse sensor with PWM control function

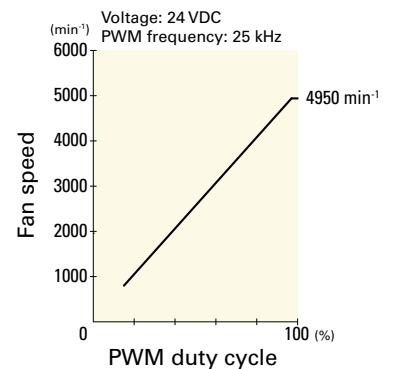
PWM duty cycle



Operating voltage range



PWM duty - Speed characteristics example

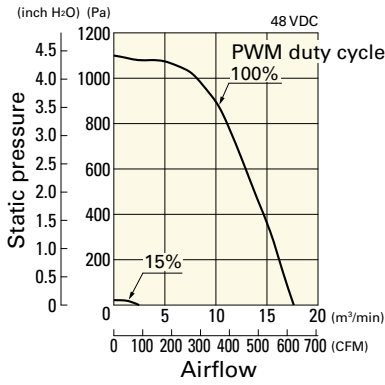


DC Centrifugal Fan Ø175 mm

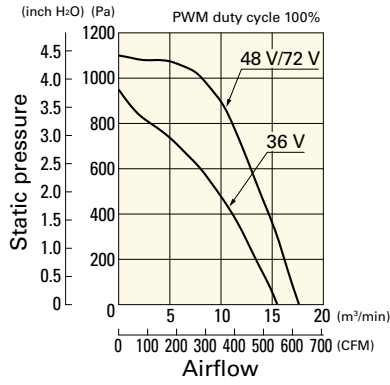
## Airflow - Static Pressure Characteristics / PWM Duty - Speed Characteristics Example

9TGA48P0G001 With pulse sensor with PWM control function

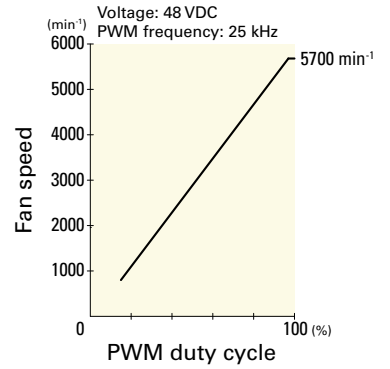
PWM duty cycle



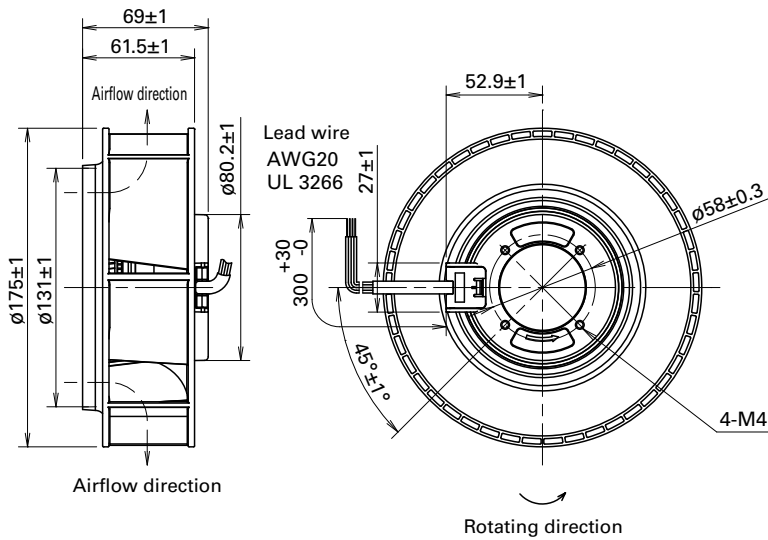
Operating voltage range



PWM duty - Speed characteristics example

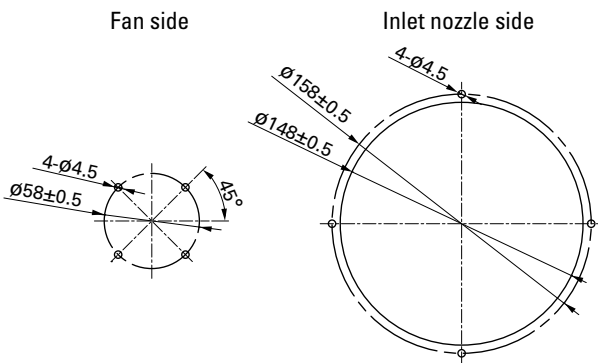


## Dimensions (unit: mm)

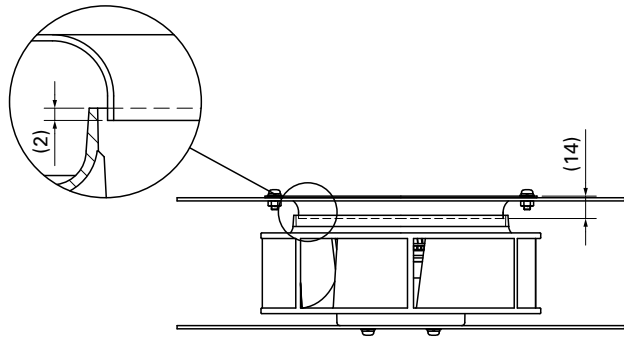
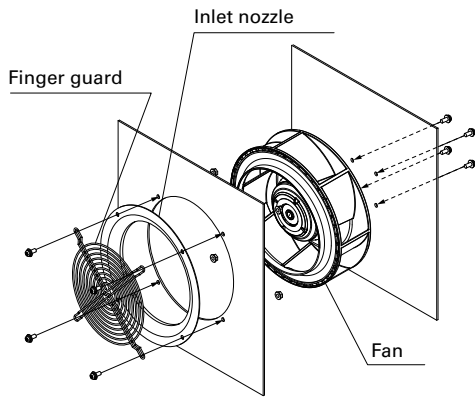


DC  
Centrifugal Fan ø175 mm

## Reference Dimensions of Mounting Holes and Vent Opening (unit: mm)



## Reference Diagram for Mounting



Bolt length: 6 mm max.

## Options

### Finger guards

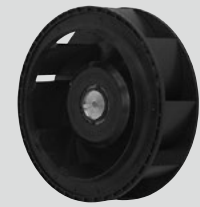
page: p. 559

Model no.: 109-722, 109-722H

### Inlet nozzle

page: p. 563

Model no.: 109-1073, 109-1073H



# Ø 175x69 mm

**San Ace C175 9TG** type

## General Specifications

- Material ..... Motor case: Aluminum (Black coating), Impeller: Plastic (Flammability: UL 94V-0)
- Expected life ..... See the table below. (L10 life: 90% survival rate for continuous operation in free air at 60°C, rated voltage) Expected life at 40°C is for reference only.
- Motor protection function ..... Locked rotor burnout protection, Reverse polarity protection  
For details, please refer to p. 573.
- Dielectric strength ..... 50/60 Hz, 500 VAC, for 1 minute (between lead wire conductors and motor case)
- Insulation resistance ..... 10 MΩ or more with a 500 VDC megger (between lead wire conductors and motor case)
- Sound pressure level (SPL) ..... At 1 m away from the air inlet
- Storage temperature ..... -30 to +70°C (Non-condensing)
- Lead wire ..... ⊕Red ⊖Black  Sensor  Yellow  Control  Brown
- Mass ..... 750 g

## Specifications When the optional inlet nozzle (109-1073) is mounted.

The models listed below **have pulse sensors with PWM control function.**

Model no.	Rated voltage [V]	Operating voltage range [V]	PWM duty cycle [%]	Rated current [A]	Rated input [W]	Rated speed [min <sup>-1</sup> ]	Max. airflow [m <sup>3</sup> /min] [CFM]	Max. static pressure [Pa] [inchH <sub>2</sub> O]	SPL [dB (A)]	Operating temperature [°C]	Expected life [h]
<b>9TG24P0G01</b>	24	20.4 to 27.6	100	3.9	93.6	4700	14.0 494.7	885 3.55	73	-20 to +60	40000/60°C (70000/40°C)
<b>9TG24P0S01</b>			100	2.35	56.4	3900	11.6 409.8	609 2.45	69		
<b>9TG48P0G01</b>	48	36 to 55.2	100	1.95	93.6	4700	14.0 494.7	885 3.55	73	-20 to +70	

\* PWM input frequency is 25 kHz; models without specifications at 0% PWM duty cycle have zero fan speed at 0%.  
Max input is 130 W at rated voltage.

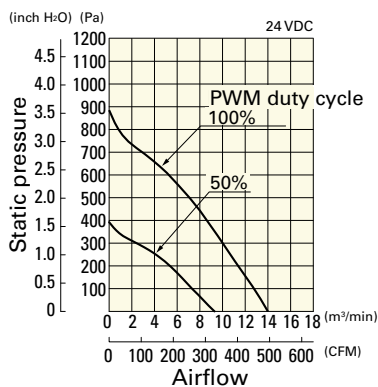
The following sensor and control options are available for selection.

Differs according to the model. Refer to the table on p. 610.  Without sensor  Pulse sensor

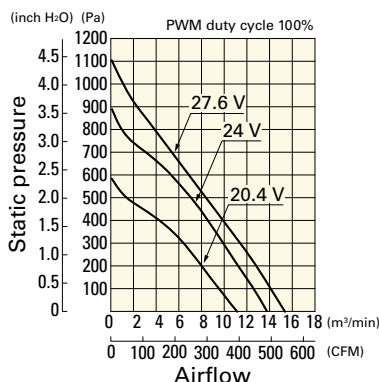
## Airflow - Static Pressure Characteristics / PWM Duty - Speed Characteristics Example

**9TG24P0G01** With pulse sensor with PWM control function

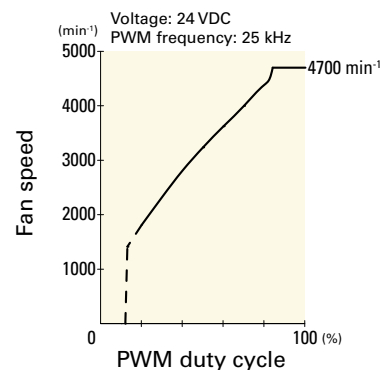
PWM duty cycle



Operating voltage range



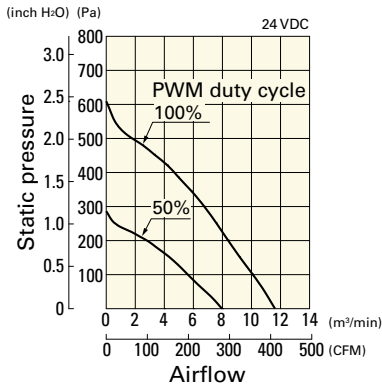
PWM duty - Speed characteristics example



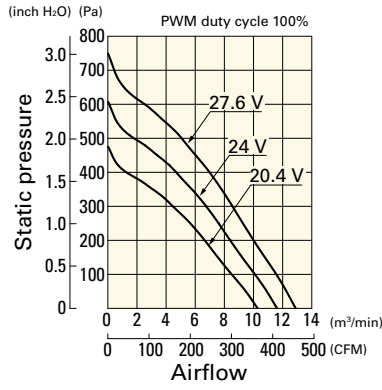
## Airflow - Static Pressure Characteristics / PWM Duty - Speed Characteristics Example

**9TG24P0S01** With pulse sensor with PWM control function

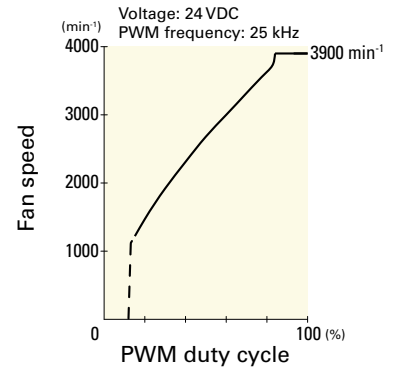
PWM duty cycle



Operating voltage range

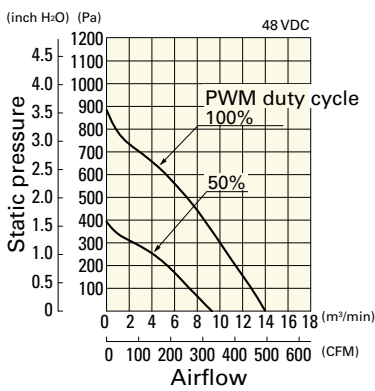


PWM duty - Speed characteristics example

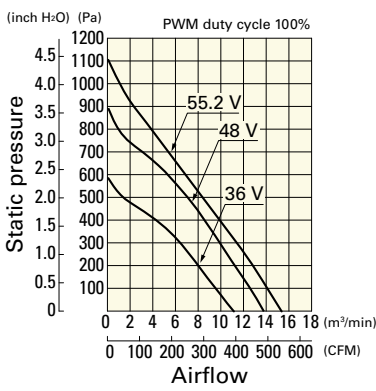


**9TG48P0G01** With pulse sensor with PWM control function

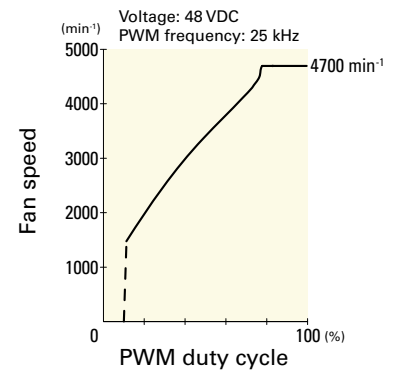
PWM duty cycle



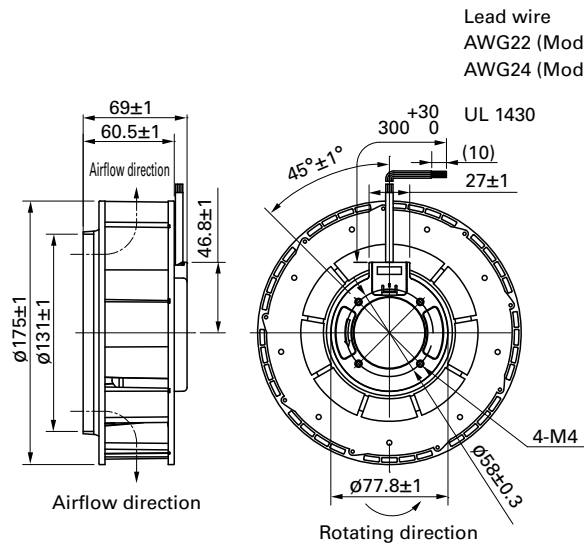
Operating voltage range



PWM duty - Speed characteristics example

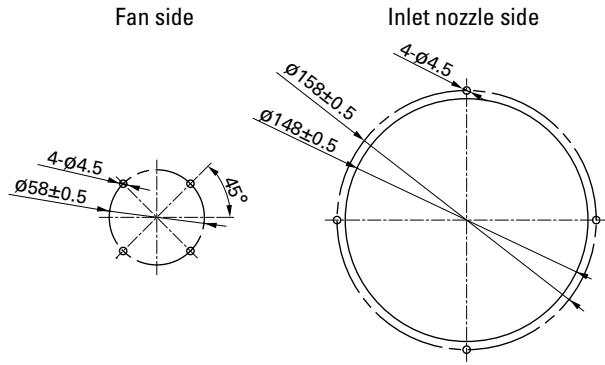


## Dimensions (unit: mm)

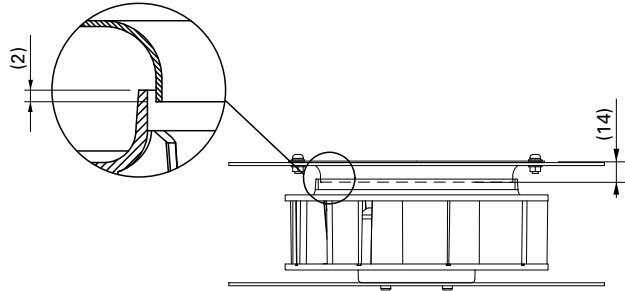
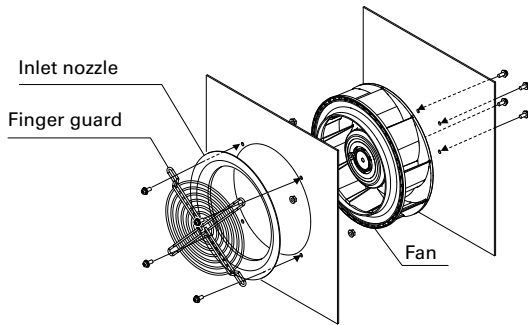


DC  
Centrifugal Fan ø175 mm

■ Reference Dimensions of Mounting Holes and Vent Opening (unit: mm)



■ Reference Diagram for Mounting



Bolt length: 4 to 6 mm.  
To prevent bolts from loosening, use plain washers and spring washers.

■ Options

Finger guards

page: p. 559

Model no.: 109-722, 109-722H

Inlet nozzle

page: p. 563

Model no.: 109-1073, 109-1073H





# ∅221x71 mm

San Ace C221 9TP type

## General Specifications

- Material ..... Motor case: Aluminum (Black coating), Impeller: Plastic (Flammability: UL 94V-0)
- Expected life ..... See the table below. (L10 life: 90% survival rate for continuous operation in free air at 60°C, rated voltage) Expected life at 40°C is for reference only.
- Motor protection function ..... Locked rotor burnout protection, Reverse polarity protection  
For details, please refer to p. 573.
- Dielectric strength ..... 50/60 Hz, 500 VAC, for 1 minute (between lead wire conductors and motor case)
- Insulation resistance ..... 10 MΩ or more with a 500 VDC megger (between lead wire conductors and motor case)
- Sound pressure level (SPL) ..... At 1 m away from the air inlet
- Storage temperature ..... -30 to +70°C (Non-condensing)
- Lead wire ..... ⊕Red ⊖Black  Sensor Yellow  Control Brown
- Mass ..... 1050 g

## Specifications When the optional inlet nozzle (109-1135) is mounted.

The models listed below **have pulse sensors with PWM control function.**

Model no.	Rated voltage [V]	Operating voltage range [V]	PWM duty cycle [%]	Rated current [A]	Rated input [W]	Rated speed [min <sup>-1</sup> ]	Max. airflow [m <sup>3</sup> /min] [CFM]	Max. static pressure [Pa] [inchH <sub>2</sub> O]	SPL [dB (A)]	Operating temperature [°C]	Expected life [h]
9TP24P0H001	24	16 to 36	100	3.2	76.8	3050	17.6 622	530 2.13	71	-20 to +70	40000/60°C (70000/40°C)
			15	0.4	9.6	1000	5.75 203	57.4 0.23	53		
9TP48P0G001	48	36 to 72	100	2.75	132	3650	21 742	760 3.05	74	-20 to +60	
			15	0.2	9.6	1000	5.75 203	57.4 0.23	53	-20 to +70	
100			1.6	76.8	3050	17.6 622	530 2.13	71	-20 to +70		
15			0.2	9.6	1000	5.75 203	57.4 0.23	53	-20 to +70		

\* PWM input frequency is 25 kHz; models without specifications at 0% PWM duty cycle have zero fan speed at 0%.  
Max input of 9TP48P0G001: 280 W, 9TP24P0H001/9TP48P0H001: 160 W at rated voltage.

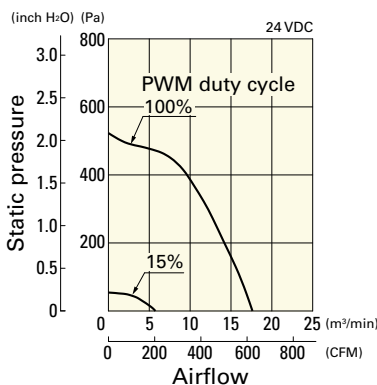
The following sensor and control options are available for selection.

Differs according to the model. Refer to the table on p. 610.  Without sensor

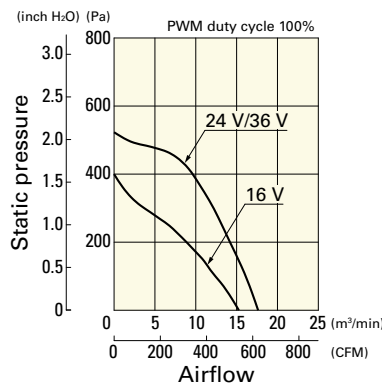
## Airflow - Static Pressure Characteristics / PWM Duty - Speed Characteristics Example

### 9TP24P0H001 With pulse sensor with PWM control function

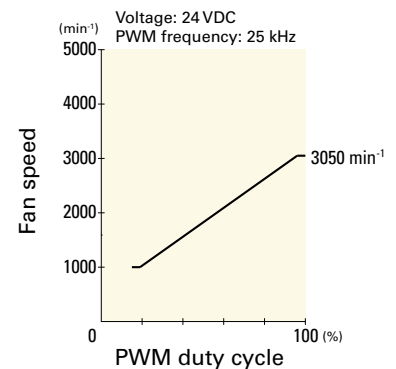
PWM duty cycle



Operating voltage range



PWM duty - Speed characteristics example

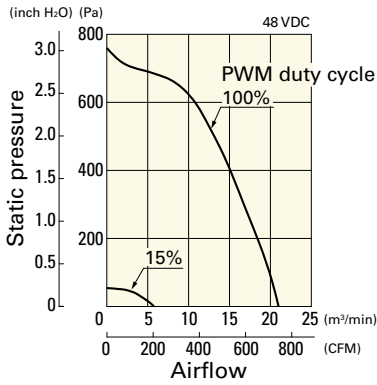


DC Centrifugal Fan ∅221 mm

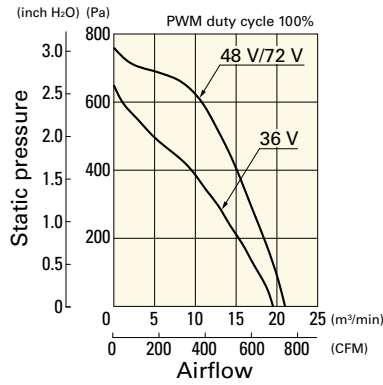
## Airflow - Static Pressure Characteristics / PWM Duty - Speed Characteristics Example

**9TP48P0G001** With pulse sensor with PWM control function

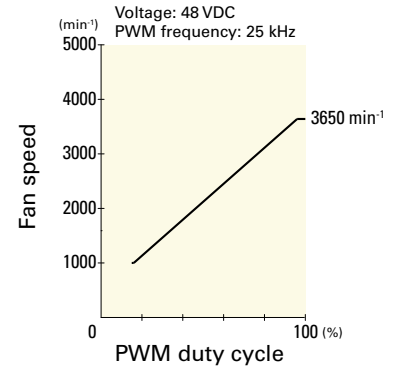
PWM duty cycle



Operating voltage range

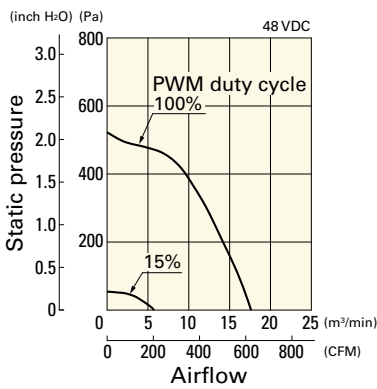


PWM duty - Speed characteristics example

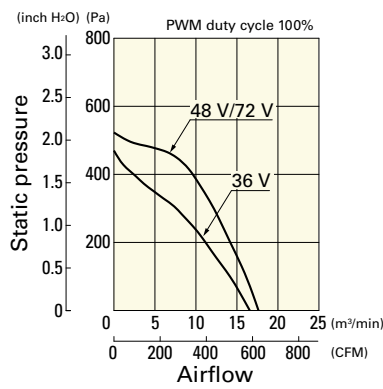


**9TP48P0H001** With pulse sensor with PWM control function

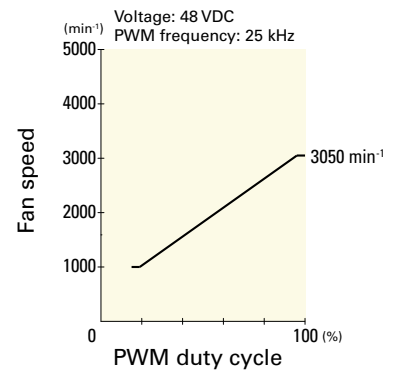
PWM duty cycle



Operating voltage range

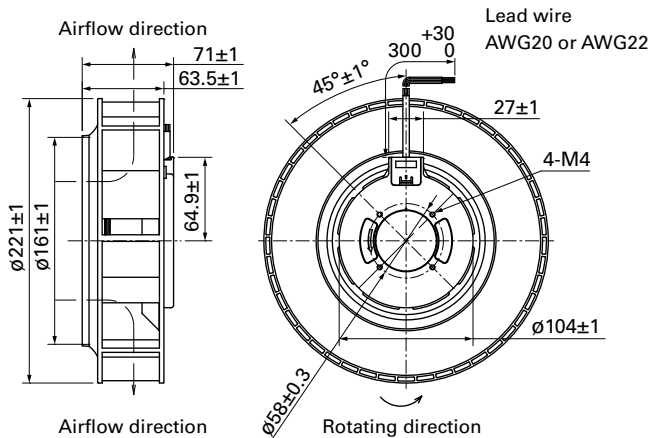


PWM duty - Speed characteristics example

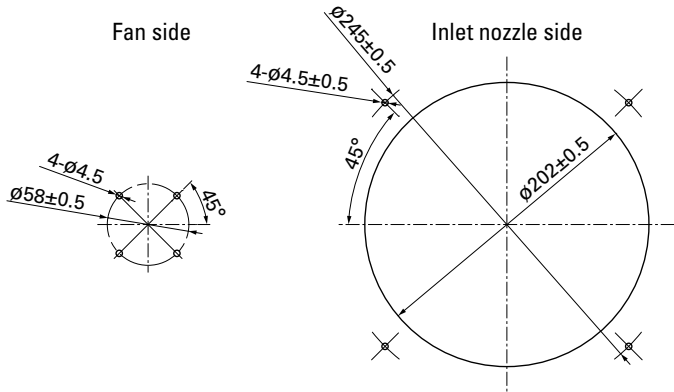


DC Centrifugal Fan  $\phi 221$  mm

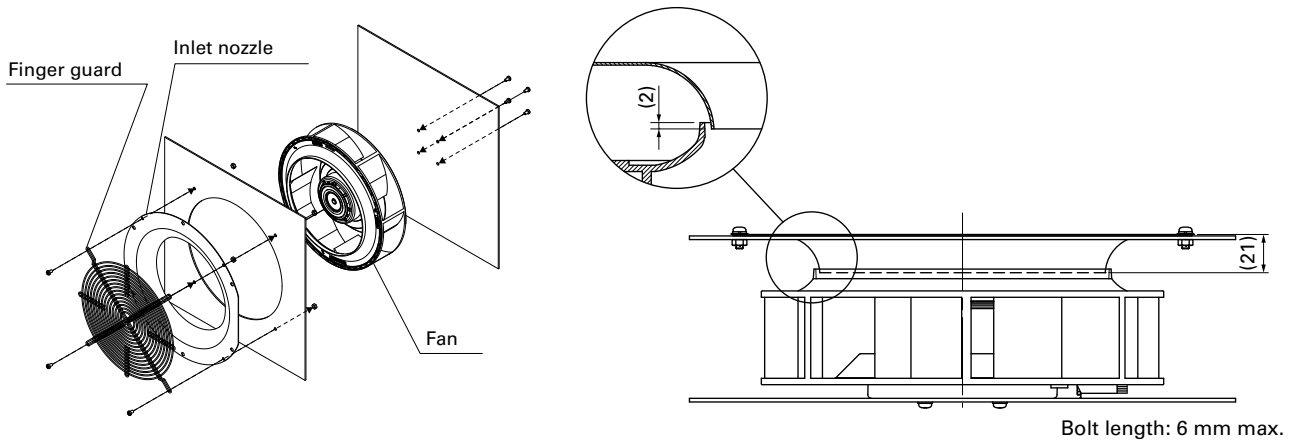
## Dimensions (unit: mm)



■ Reference Dimensions of Mounting Holes and Vent Opening (unit: mm)



■ Reference Diagram for Mounting Bracket-mounted model of this fan is available. For details, refer to pp. 463 to 465.



■ Options

Finger guards

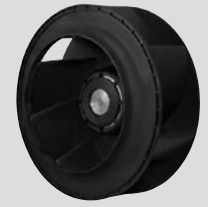
page: p. 561

Model no.: 109-1138, 109-1138H

Inlet nozzle

page: p. 563

Model no.: 109-1135, 109-1135H



# ∅225x99 mm

San Ace C225 9TS type US

## General Specifications

- Material ..... Motor case: Aluminum (Black coating), Impeller: Plastic (Flammability: UL 94V-0)
- Expected life ..... See the table below. (L10 life: 90% survival rate for continuous operation in free air at 60°C, rated voltage) Expected life at 40°C is for reference only.
- Motor protection function ..... Locked rotor burnout protection, Reverse polarity protection  
For details, please refer to p. 573.
- Dielectric strength ..... 50/60 Hz, 500 VAC, for 1 minute (between lead wire conductors and motor case)
- Insulation resistance ..... 10 MΩ or more with a 500 VDC megger (between lead wire conductors and motor case)
- Sound pressure level (SPL) ..... At 1 m away from the air inlet
- Storage temperature ..... -30 to +70°C (Non-condensing)
- Lead wire ..... ⊕Red ⊖Black  Sensor  Yellow  Control  Brown
- Mass ..... 1220 g

## Specifications When the optional inlet nozzle (109-1134) is mounted.

The models listed below **have pulse sensors with PWM control function.**

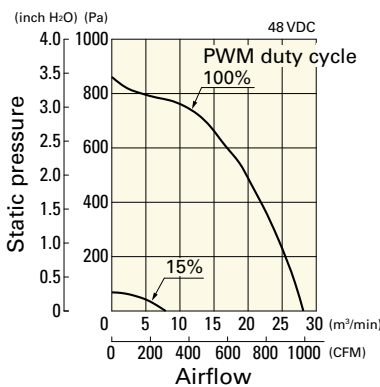
Model no.	Rated voltage [V]	Operating voltage range [V]	PWM duty cycle [%]	Rated current [A]	Rated input [W]	Rated speed [min <sup>-1</sup> ]	Max. airflow [m <sup>3</sup> /min] [CFM]	Max. static pressure [Pa] [inchH <sub>2</sub> O]	SPL [dB (A)]	Operating temperature [°C]	Expected life [h]
9TS48P0G001	48	36 to 72	100	3.65	175.2	3550	28.1 992	861 3.46	74.5	-20 to +60	40000/60°C (70000/40°C)
			15	0.24	11.5	1000	7.85 277	68.5 0.28	52.0		
9TS48P0H001			100	2.08	99.8	2900	22.7 802	590 2.37	70.5	-20 to +70	
			15	0.24	11.5	1000	7.85 277	68.5 0.28	52.0		

\* PWM input frequency is 25 kHz; models without specifications at 0% PWM duty cycle have zero fan speed at 0%.  
Max input of 9TS48P0G001: 380 W, 9TS48P0H001: 200 W at rated voltage.

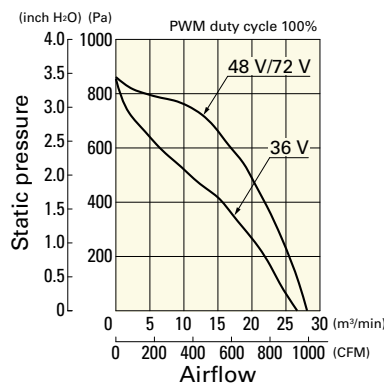
## Airflow - Static Pressure Characteristics / PWM Duty - Speed Characteristics Example

**9TS48P0G001** With pulse sensor with PWM control function

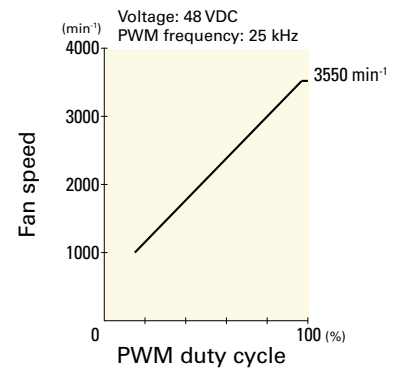
PWM duty cycle



Operating voltage range



PWM duty - Speed characteristics example



DC Centrifugal Fan ∅225 mm

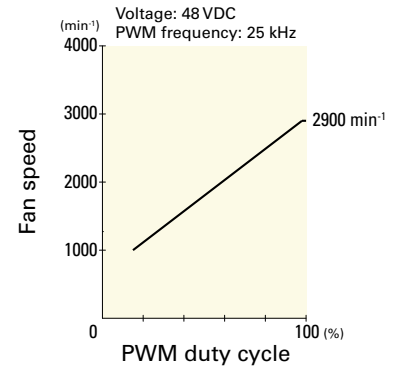
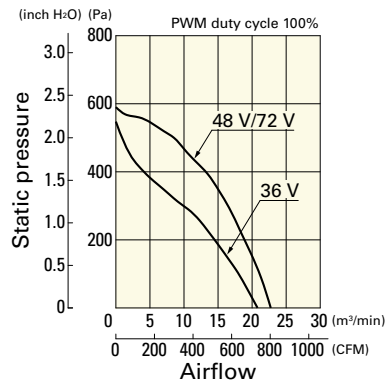
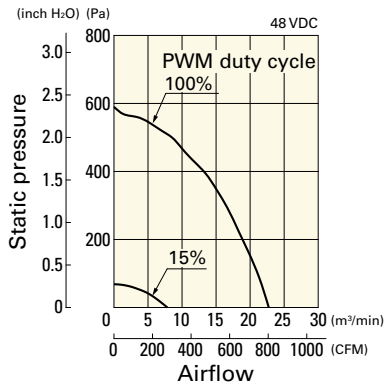
## Airflow - Static Pressure Characteristics / PWM Duty - Speed Characteristics Example

**9TS48P0H001** With pulse sensor with PWM control function

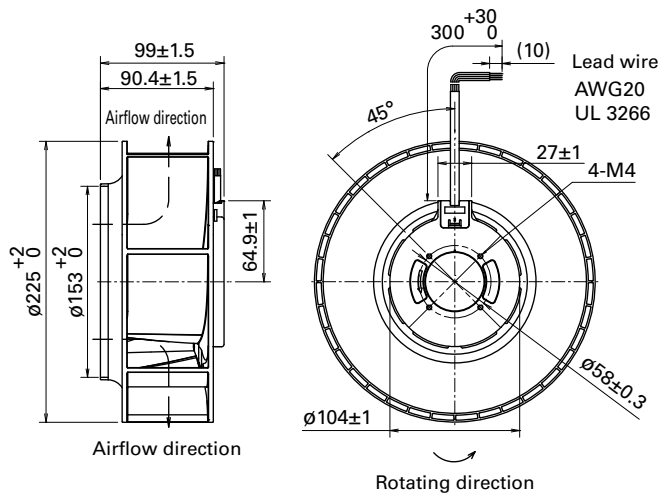
PWM duty cycle

Operating voltage range

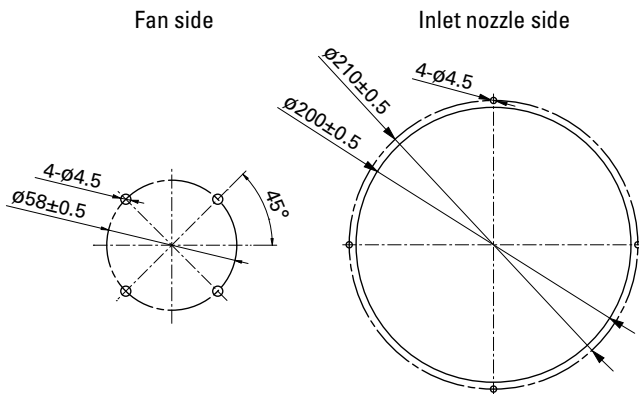
PWM duty - Speed characteristics example



## Dimensions (unit: mm)

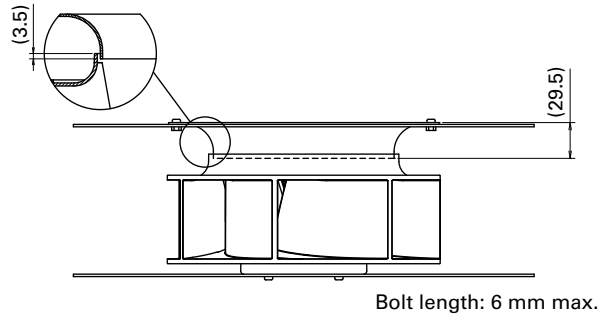
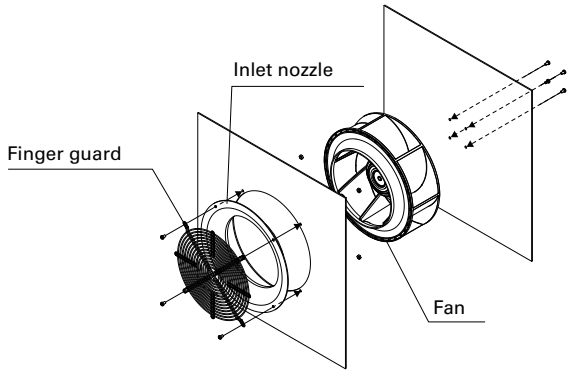


## Reference Dimensions of Mounting Holes and Vent Opening (unit: mm)



DC  
Centrifugal Fan  $\varnothing$ 225 mm

**Reference Diagram for Mounting** Bracket-mounted model of this fan is available. For details, refer to pp. 466 to 468.



**Options**

**Finger guards**

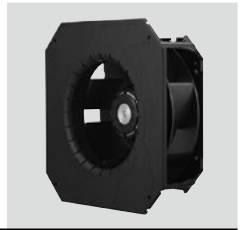
page: p. 561

Model no.: 109-1137, 109-1137H

**Inlet nozzle**

page: p. 563

Model no.: 109-1134, 109-1134H



# 270x270x99 mm

San Ace C221 9B1TP type

## General Specifications

- Material ..... Motor case: Aluminum (Black coating), Impeller: Plastic (Flammability: UL 94V-0)  
Bracket: Aluminum, Plastic (Flammability: UL 94V-0)
- Expected life ..... See the table below. (L10 life: 90% survival rate for continuous operation in free air at 60°C, rated voltage)  
Expected life at 40°C is for reference only.
- Motor protection function ..... Locked rotor burnout protection, Reverse polarity protection  
For details, please refer to p. 573.
- Dielectric strength ..... 50/60 Hz, 500 VAC, for 1 minute (between lead wire conductors and bracket)
- Insulation resistance ..... 10 MΩ or more with a 500 VDC megger (between lead wire conductors and bracket)
- Sound pressure level (SPL) ..... At 1 m away from the air inlet
- Storage temperature ..... -30 to +70°C (Non-condensing)
- Lead wire ..... ⊕Red ⊖Black (Sensor) Yellow (Control) Brown
- Mass ..... 1700 g

## Specifications

The models listed below **have pulse sensors with PWM control function.**

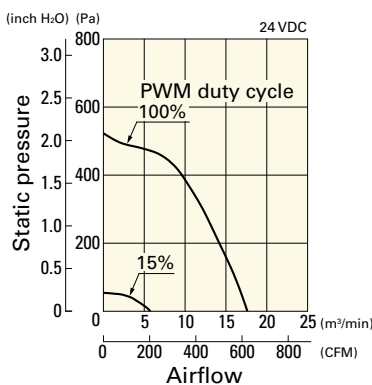
Model no.	Rated voltage [V]	Operating voltage range [V]	PWM duty cycle [%]	Rated current [A]	Rated input [W]	Rated speed [min <sup>-1</sup> ]	Max. airflow [m <sup>3</sup> /min] [CFM]	Max. static pressure [Pa] [inchH <sub>2</sub> O]	SPL [dB (A)]	Operating temperature [°C]	Expected life [h]
9B1TP24P0H001	24	16 to 36	100	3.2	76.8	3050	17.6 622	530 2.13	71	-20 to +70	40000/60°C (70000/40°C)
			15	0.4	9.6	1000	5.75 203	57.4 0.23	53		
9B1TP48P0G001	48	36 to 72	100	2.75	132	3650	21.0 742	760 3.05	74	-20 to +60	
			15	0.2	9.6	1000	5.75 203	57.4 0.23	53		
9B1TP48P0H001	48	36 to 72	100	1.6	76.8	3050	17.6 622	530 2.13	71	-20 to +70	
			15	0.2	9.6	1000	5.75 203	57.4 0.23	53		

\* PWM input frequency is 25 kHz; models without specifications at 0% PWM duty cycle have zero fan speed at 0%.  
Max input of 9B1TP24P0H001/9B1TP48P0H001: 160 W, 9B1TP48P0G001: 280 W at rated voltage.

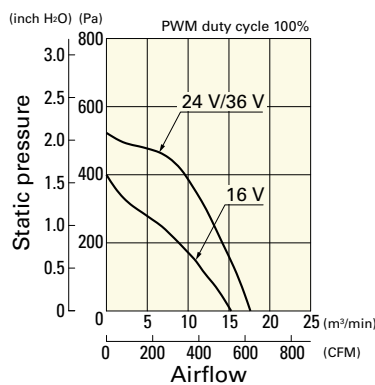
## Airflow - Static Pressure Characteristics / PWM Duty - Speed Characteristics Example

**9B1TP24P0H001** With pulse sensor with PWM control function

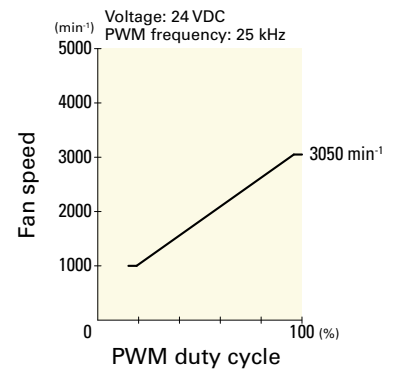
PWM duty cycle



Operating voltage range



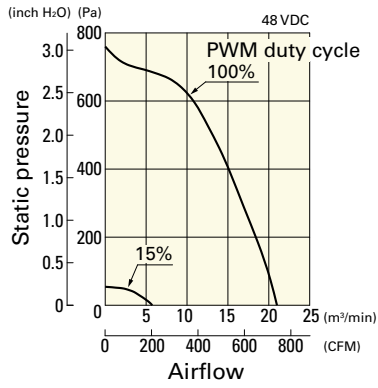
PWM duty - Speed characteristics example



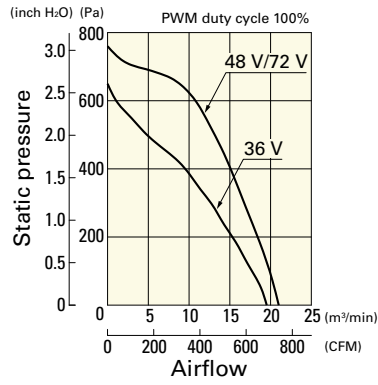
## Airflow - Static Pressure Characteristics / PWM Duty - Speed Characteristics Example

**9B1TP48P0G001** With pulse sensor with PWM control function

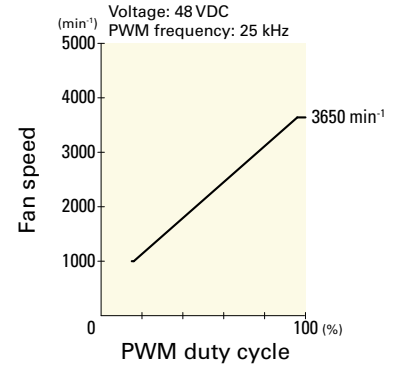
PWM duty cycle



Operating voltage range

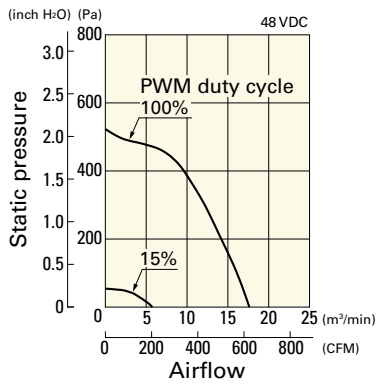


PWM duty - Speed characteristics example

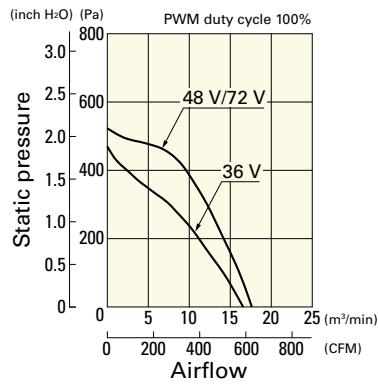


**9B1TP48P0H001** With pulse sensor with PWM control function

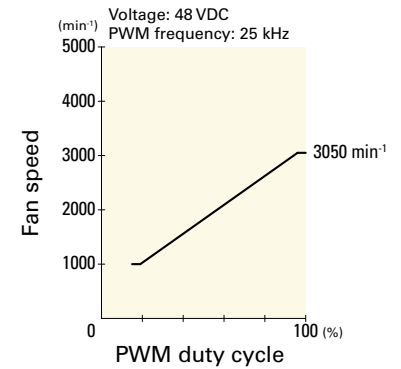
PWM duty cycle



Operating voltage range

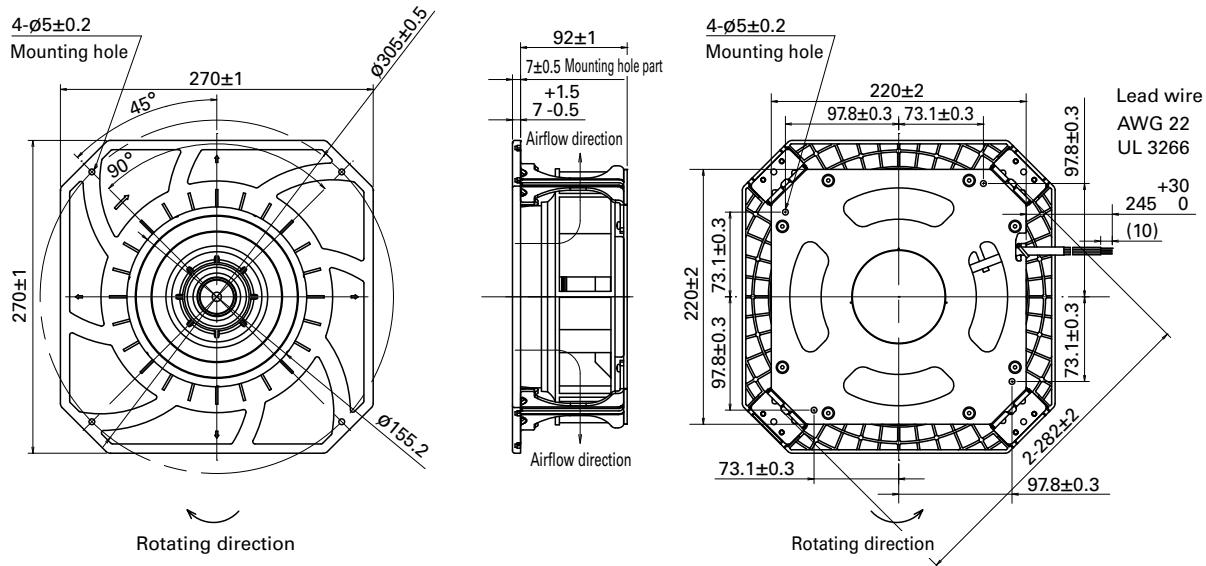


PWM duty - Speed characteristics example



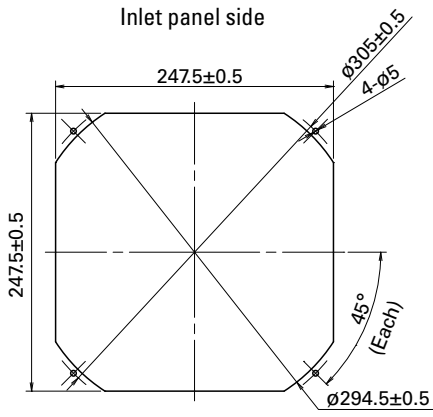
DC  
Centrifugal Fan 270 mm sq.

## Dimensions (unit: mm)



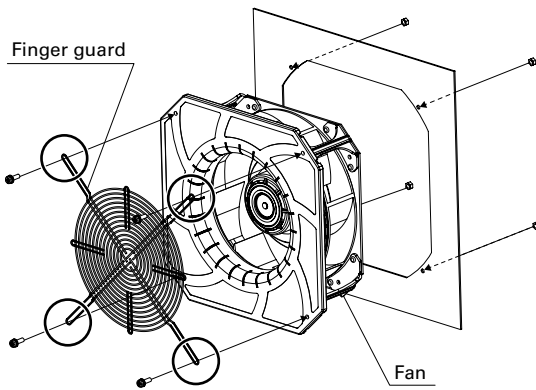


## Reference Dimensions of Mounting Holes and Vent Opening (unit: mm)



## Reference Diagram for Mounting

Finger guard 109-1146 and 109-1146H should be mounted with four holes as in the drawing.

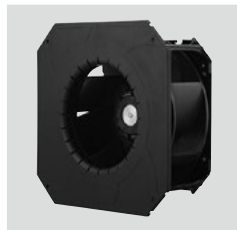


## Options

Finger guards

page: p. 562

Model no.: 109-1146, 109-1146H



# 270x270x119 mm

San Ace C225 9B1TS type

## General Specifications

- Material ..... Motor case: Aluminum (Black coating), Impeller: Plastic (Flammability: UL 94V-0)  
Bracket: Aluminum, Plastic (Flammability: UL 94V-0)
- Expected life ..... See the table below. (L10 life: 90% survival rate for continuous operation in free air at 60°C, rated voltage)  
Expected life at 40°C is for reference only.
- Motor protection function ..... Locked rotor burnout protection, Reverse polarity protection  
For details, please refer to p. 573.
- Dielectric strength ..... 50/60 Hz, 500 VAC, for 1 minute (between lead wire conductors and bracket)
- Insulation resistance ..... 10 MΩ or more with a 500 VDC megger (between lead wire conductors and bracket)
- Sound pressure level (SPL) ..... At 1 m away from the air inlet
- Storage temperature ..... -30 to +70°C (Non-condensing)
- Lead wire ..... ⊕Red ⊖Black (Sensor) Yellow (Control) Brown
- Mass ..... 1920 g

## Specifications

The models listed below **have pulse sensors with PWM control function.**

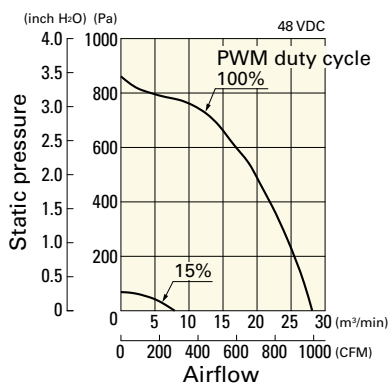
Model no.	Rated voltage [V]	Operating voltage range [V]	PWM duty cycle [%]	Rated current [A]	Rated input [W]	Rated speed [min <sup>-1</sup> ]	Max. airflow [m <sup>2</sup> /min] [CFM]	Max. static pressure [Pa] [inchH <sub>2</sub> O]	SPL [dB (A)]	Operating temperature [°C]	Expected life [h]
9B1TS48P0G001	48	36 to 72	100	3.65	175.2	3550	28.1 992	861 3.46	74.5	-20 to +60	40000/60°C (70000/40°C)
			15	0.24	11.5	1000	7.85 277	68.5 0.28	52.0		
9B1TS48P0H001			100	2.08	99.8	2900	22.7 802	590 2.37	70.5	-20 to +70	
			15	0.24	11.5	1000	7.85 277	68.5 0.28	52.0		

\* PWM input frequency is 25 kHz; models without specifications at 0% PWM duty cycle have zero fan speed at 0%.  
Max input of 9B1TS48P0G001: 380 W, 9B1TS48P0H001: 200 W at rated voltage.

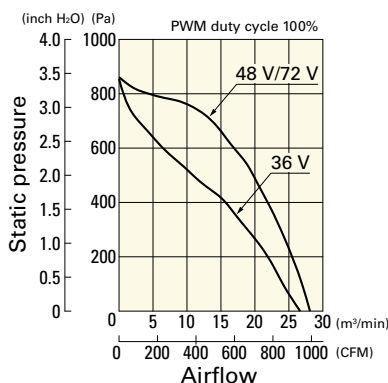
## Airflow - Static Pressure Characteristics / PWM Duty - Speed Characteristics Example

**9B1TS48P0G001** With pulse sensor with PWM control function

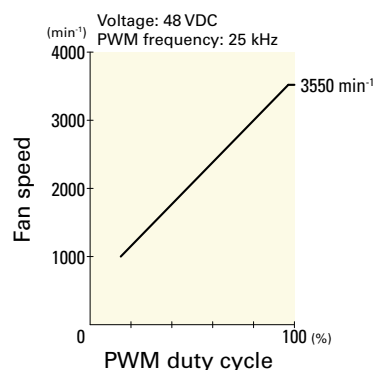
PWM duty cycle



Operating voltage range



PWM duty - Speed characteristics example

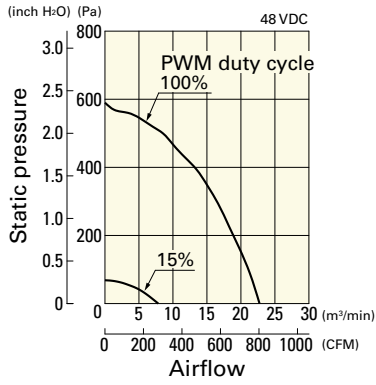


DC Centrifugal Fan 270 mm sq.

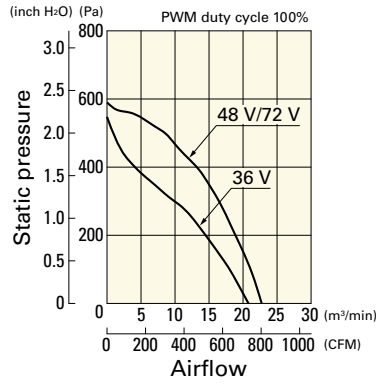
## Airflow - Static Pressure Characteristics / PWM Duty - Speed Characteristics Example

**9B1TS48P0H001** With pulse sensor with PWM control function

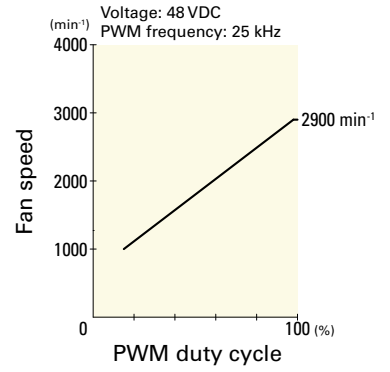
PWM duty cycle



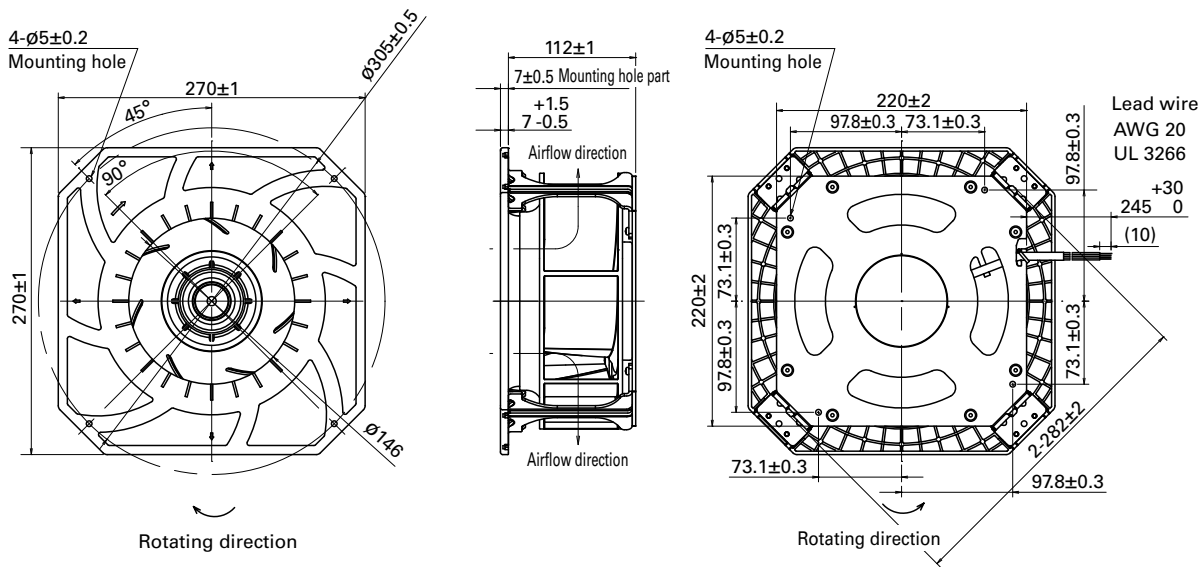
Operating voltage range



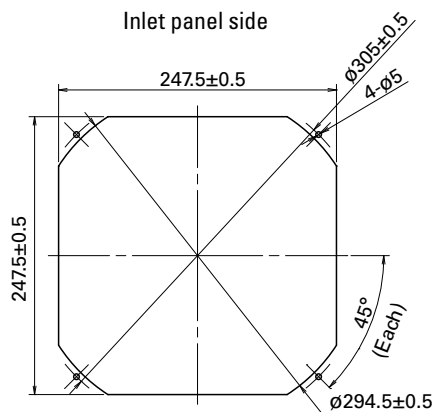
PWM duty - Speed characteristics example



## Dimensions (unit: mm)



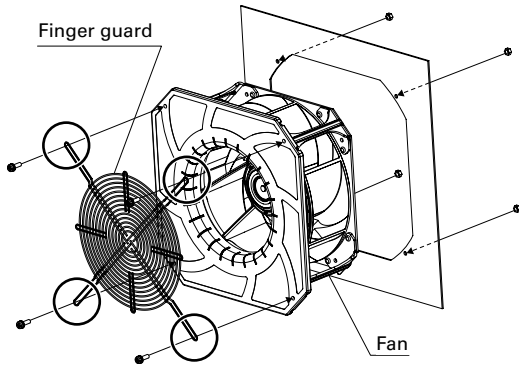
## Reference Dimensions of Mounting Holes and Vent Opening (unit: mm)



DC  
Centrifugal Fan 270 mm sq.

## Reference Diagram for Mounting

Finger guard 109-1146 and 109-1146H should be mounted with four holes as in the drawing.



## Options

Finger guards

page: p. 562

Model no.: 109-1146, 109-1146H

# Blower

Cooling fan specialized for high static pressure.  
 Related product: Splash Proof Blower p. 341

**Model Numbering System** Not every combination of the following codes or characters is available. Contact us for an available combination.

<b>109B</b>	<b>C</b>	<b>12</b>	<b>H</b>	<b>C</b>	<b>2</b>	<b>-1</b>
Type name	Frame size	Voltage	Speed code	Sensor specifications	Frame thickness	Individual customer's spec

<b>9B</b>	<b>MB</b>	<b>12</b>	<b>G</b>	<b>2</b>	<b>01</b>	<b>-1</b>
Type name	Frame size	Voltage	Speed code	Frame thickness	Sensor specifications	Individual customer's spec

Fans with PWM control function

<b>9B</b>	<b>MB</b>	<b>12</b>	<b>P</b>	<b>2</b>	<b>G</b>	<b>01</b>
Type name	Frame size	Voltage	PWM control function	Frame thickness	Speed code	Individual customer's spec (2 to 3 digits)

Type name	109B	9B					
Frame size (mm)	C	D	F, FB	G	J	M, MB, MC	
	52	76	120	160	127	97	
Voltage (V)	12	24					
	12	24					
Speed code	F	G	H	K	M	S	etc.
Sensor specifications	A, 02, 002		C, 01, 001		D		
	Without a sensor		With a pulse sensor		With a lock sensor		
Frame thickness (mm)	1	2	7	6			
	40	30, 32, 33	15	20			

# 52x15 mm

San Ace B52 9BC type 



## General Specifications

- Material ..... Frame: Plastic (Flammability: UL 94V-0), Impeller: Plastic (Flammability: UL 94V-0)
- Expected life ..... See the table below. (L10 life: 90% survival rate for continuous operation in free air at 60°C, rated voltage)  
Expected life at 40°C is for reference only.
- Motor protection function ..... Locked rotor burnout protection, Reverse polarity protection  
For details, please refer to p. 573.
- Dielectric strength ..... 50/60 Hz, 500 VAC, for 1 minute (between lead wire conductors and frame)
- Insulation resistance ..... 10 MΩ or more with a 500 VDC megger (between lead wire conductors and frame)
- Sound pressure level (SPL) ..... At 1 m away from the air inlet
- Storage temperature ..... -30 to +70°C (Non-condensing)
- Lead wire ..... ⊕Red ⊖Black Sensor Yellow
- Mass ..... 33 g

## Specifications

The models listed below **have pulse sensors**.

Model no.	Rated voltage [V]	Operating voltage range [V]	Rated current [A]	Rated input [W]	Rated speed [min <sup>-1</sup> ]	Max. airflow [m <sup>3</sup> /min] [CFM]	Max. static pressure [Pa] [inchH <sub>2</sub> O]	SPL [dB (A)]	Operating temperature [°C]	Expected life [h]
▶▶ 109BC12GC7-1	12	6 to 13.8	0.12	1.44	6200	0.125 4.4	215 0.86	43	-20 to +70	40000/60°C (70000/40°C)
▶▶ 109BC12HC7-1			0.1	1.2	5600	0.112 4.0	165 0.66	40		
▶▶ 109BC12FC7-1			0.08	0.96	5100	0.101 3.6	130 0.52	38		
▶▶ 109BC12MC7-1			0.06	0.72	4600	0.091 3.2	100 0.4	35		
▶▶ 109BC24GC7-1	24	12 to 27.6	0.07	1.68	6200	0.125 4.4	215 0.86	43		
▶▶ 109BC24HC7-1			0.05	1.2	5600	0.112 4.0	165 0.66	40		
▶▶ 109BC24FC7-1			0.04	0.96	5100	0.101 3.6	130 0.52	38		

The following sensor and control options are available for selection.

Available for all models. Without sensor Lock sensor

The ▶▶ mark indicates Short LeadTime Service applicable models. See p. 626 for details.

Blower 52 mm DC

## Airflow - Static Pressure Characteristics

**109BC12GC7-1** With pulse sensor

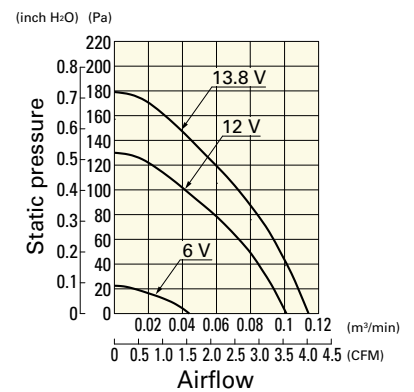
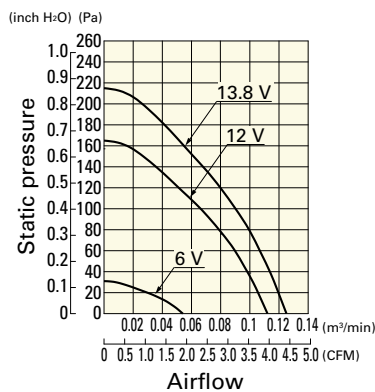
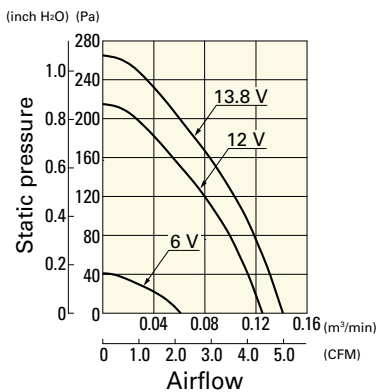
**109BC12HC7-1** With pulse sensor

**109BC12FC7-1** With pulse sensor

Operating voltage range

Operating voltage range

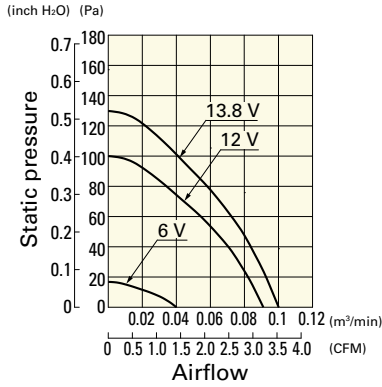
Operating voltage range



## Airflow - Static Pressure Characteristics

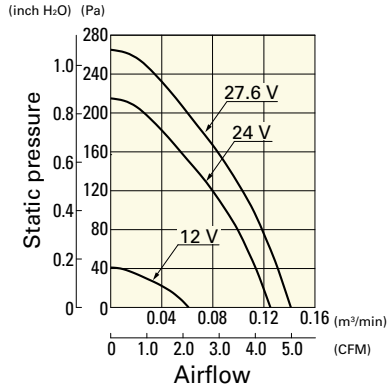
**109BC12MC7-1** With pulse sensor

Operating voltage range



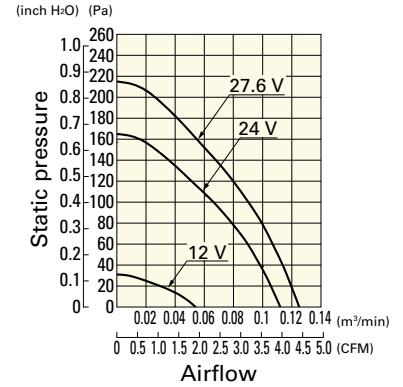
**109BC24GC7-1** With pulse sensor

Operating voltage range



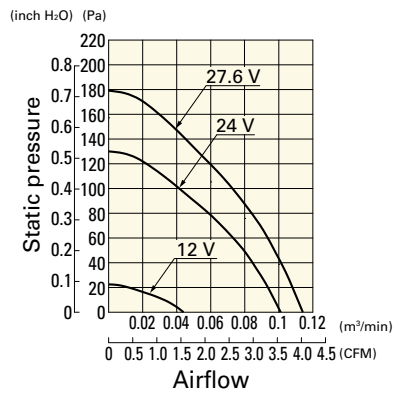
**109BC24HC7-1** With pulse sensor

Operating voltage range

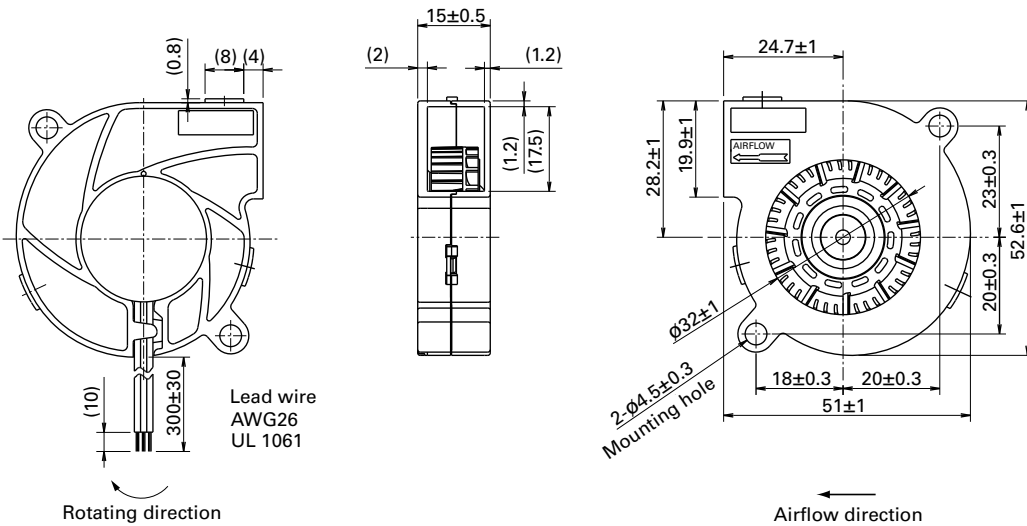


**109BC24FC7-1** With pulse sensor

Operating voltage range



## Dimensions (unit: mm)



# 76x20 mm



San Ace B76 9BD type

## General Specifications

- Material ..... Frame: Plastic (Flammability: UL 94V-0), Impeller: Plastic (Flammability: UL 94V-0)
- Expected life ..... See the table below. (L10 life: 90% survival rate for continuous operation in free air at 60°C, rated voltage) Expected life at 40°C is for reference only.
- Motor protection function ..... Locked rotor burnout protection, Reverse polarity protection For details, please refer to p. 573.
- Dielectric strength ..... 50/60 Hz, 500 VAC, for 1 minute (between lead wire conductors and frame)
- Insulation resistance ..... 10 MΩ or more with a 500 VDC megger (between lead wire conductors and frame)
- Sound pressure level (SPL) ..... At 1 m away from the air inlet
- Storage temperature ..... -30 to +70°C (Non-condensing)
- Lead wire ..... ⊕Red ⊖Black Sensor Yellow
- Mass ..... 58 g

## Specifications

The models listed below **have pulse sensors**.

Model no.	Rated voltage [V]	Operating voltage range [V]	Rated current [A]	Rated input [W]	Rated speed [min <sup>-1</sup> ]	Max. airflow [m <sup>3</sup> /min] [CFM]	Max. static pressure [Pa] [inchH <sub>2</sub> O]	SPL [dB (A)]	Operating temperature [°C]	Expected life [h]
9BD12SC6-1	12	5 to 13.8	0.28	3.36	4500	0.29 10.2	300 1.2	43	-20 to +70	40000/60°C (70000/40°C)
9BD12HC6-1			0.21	2.52	4200	0.27 9.5	230 0.92	41		
9BD12FC6-1		0.18	2.16	3900	0.25 8.8	200 0.8	39			
9BD24SC6-1	24	10 to 27.6	0.14	3.36	4500	0.29 10.2	300 1.2	43		
9BD24HC6-1			0.12	2.88	4200	0.27 9.5	230 0.92	41		
9BD24FC6-1			0.1	2.4	3900	0.25 8.8	200 0.8	39		

The following sensor and control options are available for selection.

Available for all models. Without sensor Lock sensor

Differs according to the model. Refer to the table on p. 599. PWM control

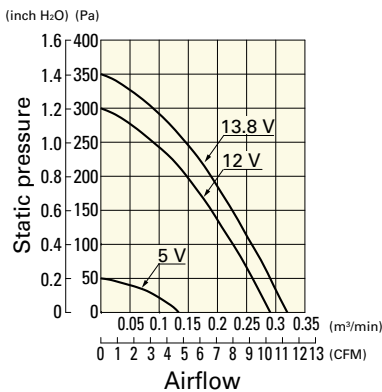
The mark indicates Short LeadTime Service applicable models. See p. 626 for details.

Blower 76 mm DC

## Airflow - Static Pressure Characteristics

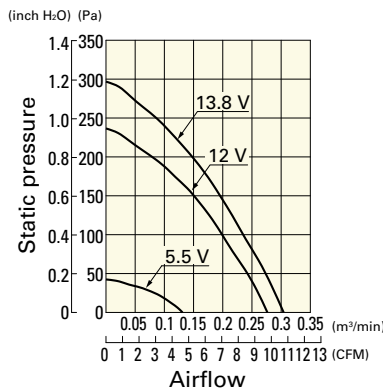
9BD12SC6-1 With pulse sensor

Operating voltage range



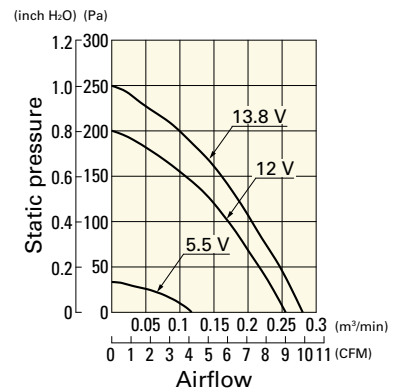
9BD12HC6-1 With pulse sensor

Operating voltage range



9BD12FC6-1 With pulse sensor

Operating voltage range

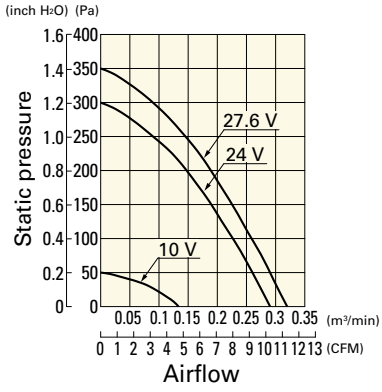




## Airflow - Static Pressure Characteristics

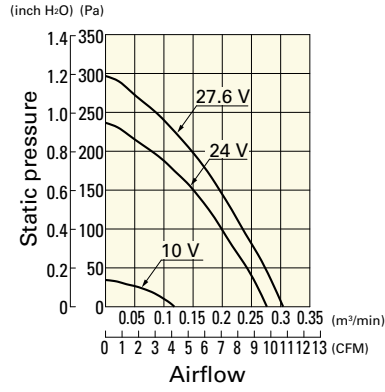
**9BD24SC6-1** With pulse sensor

Operating voltage range



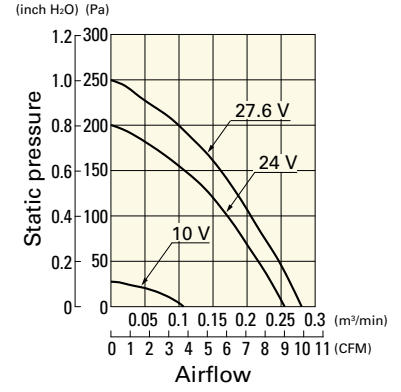
**9BD24HC6-1** With pulse sensor

Operating voltage range

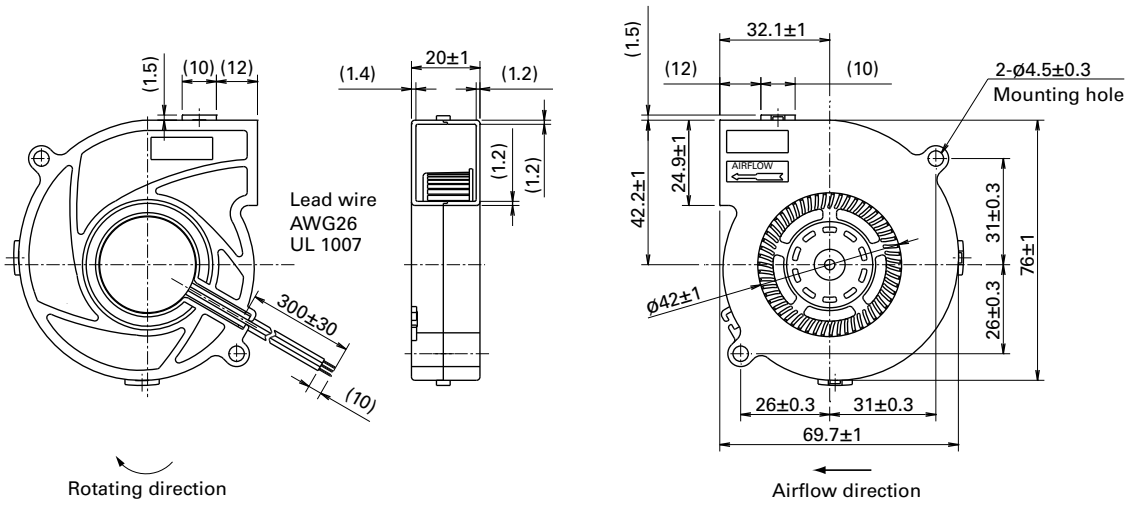


**9BD24FC6-1** With pulse sensor

Operating voltage range



## Dimensions (unit: mm)



Blower 76 mm DC

# 76x30 mm

San Ace B76 9BD type   



## General Specifications

- Material ..... Frame: Plastic (Flammability: UL 94V-0), Impeller: Plastic (Flammability: UL 94V-1)
- Expected life ..... See the table below. (L10 life: 90% survival rate for continuous operation in free air at 60°C, rated voltage) Expected life at 40°C is for reference only.
- Motor protection function ..... Locked rotor burnout protection, Reverse polarity protection  
For details, please refer to p. 573.
- Dielectric strength ..... 50/60 Hz, 500 VAC, for 1 minute (between lead wire conductors and frame)
- Insulation resistance ..... 10 MΩ or more with a 500 VDC megger (between lead wire conductors and frame)
- Sound pressure level (SPL) ..... At 1 m away from the air inlet
- Storage temperature ..... -30 to +70°C (Non-condensing)
- Lead wire ..... ⊕Red ⊖Black or Blue  Sensor Yellow
- Mass ..... 100 g

## Specifications

The models listed below **have pulse sensors.**

Model no.	Rated voltage [V]	Operating voltage range [V]	Rated current [A]	Rated input [W]	Rated speed [min <sup>-1</sup> ]	Max. airflow [m <sup>3</sup> /min] [CFM]	Max. static pressure [Pa] [inchH <sub>2</sub> O]	SPL [dB (A)]	Operating temperature [°C]	Expected life [h]
▶▶ 109BD12HC2	12	10.2 to 13.8	0.37	4.44	3000	0.36 12.7	151.9 0.61	41.5	-20 to +60	40000/60°C (70000/40°C)
▶▶ 109BD12FC2			0.27	3.24	2600	0.31 10.9	98 0.394	37		
▶▶ 109BD12MC2			0.14	1.68	2100	0.25 8.8	58.8 0.236	32.5		
▶▶ 109BD24HC2	24	20.4 to 27.6	0.17	4.08	3000	0.36 12.7	151.9 0.61	41.5	-20 to +60	
▶▶ 109BD24FC2			0.14	3.36	2600	0.31 10.9	98 0.394	37	-20 to +70	
▶▶ 109BD24MC2			0.1	2.4	2100	0.25 8.8	58.8 0.236	32.5	-20 to +70	

The following sensor and control options are available for selection.

Available for all models. **Without sensor** **Lock sensor**

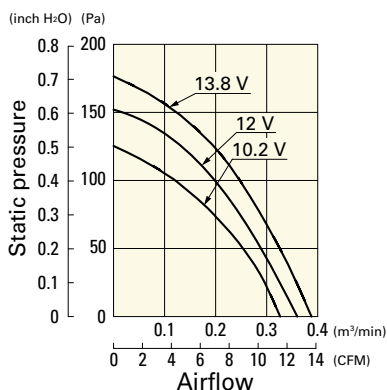
Differs according to the model. Refer to the table on p. 594. **PWM control**

The ▶ mark indicates Short LeadTime Service applicable models. See p. 626 for details.

## Airflow - Static Pressure Characteristics

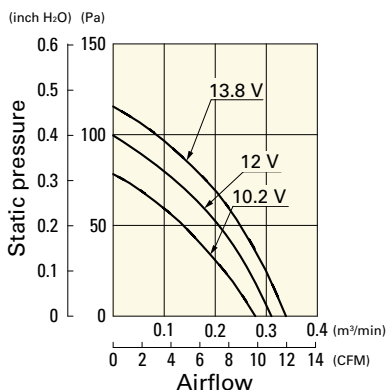
**109BD12HC2** With pulse sensor

Operating voltage range



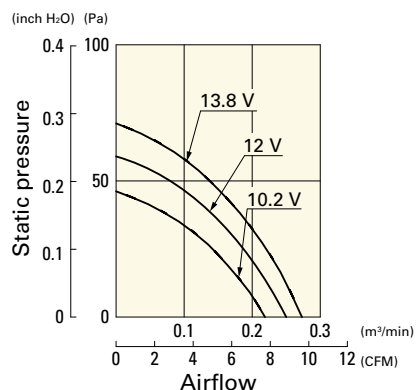
**109BD12FC2** With pulse sensor

Operating voltage range



**109BD12MC2** With pulse sensor

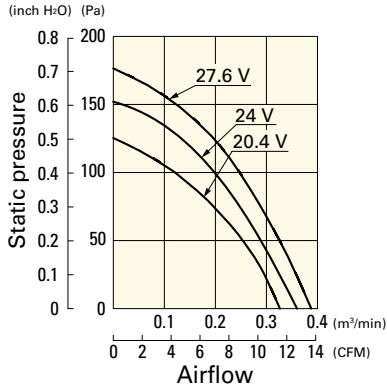
Operating voltage range



## Airflow - Static Pressure Characteristics

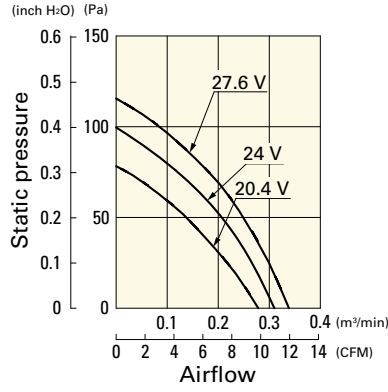
**109BD24HC2** With pulse sensor

Operating voltage range



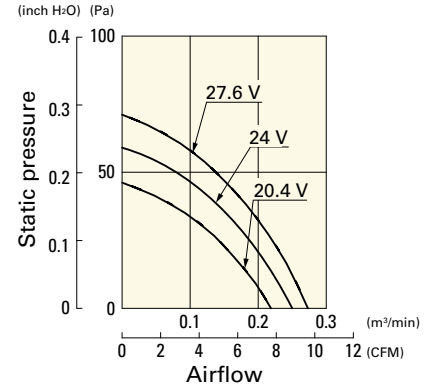
**109BD24FC2** With pulse sensor

Operating voltage range

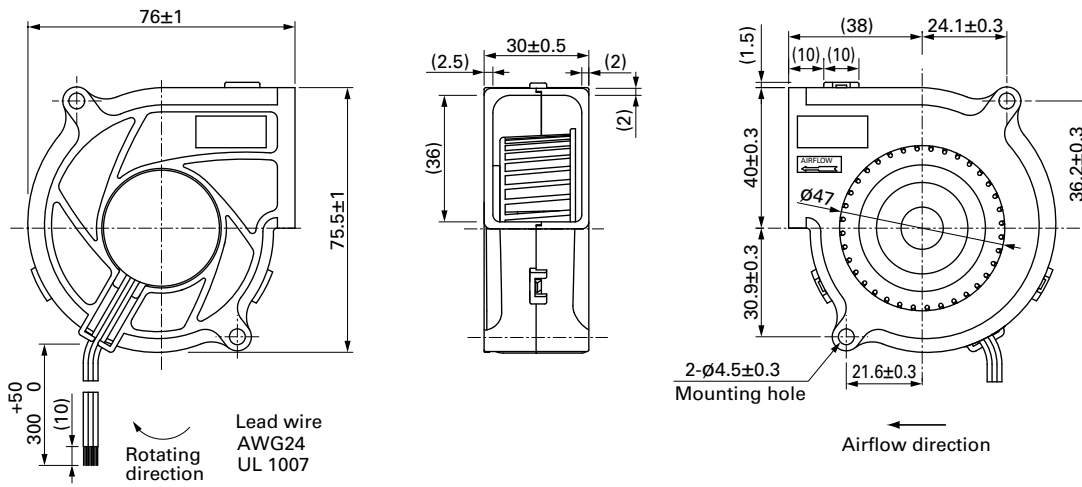


**109BD24MC2** With pulse sensor

Operating voltage range



## Dimensions (unit: mm)



Blower 76 mm DC



# 97x33 mm

San Ace B97 9BMC type

## General Specifications

- Material ..... Frame: Plastic (Flammability: UL 94V-0), Impeller: Plastic (Flammability: UL 94V-0)
- Expected life ..... See the table below. (L10 life: 90% survival rate for continuous operation in free air at 60°C, rated voltage) Expected life at 40°C is for reference only.
- Motor protection function ..... Locked rotor burnout protection, Reverse polarity protection For details, please refer to p. 573.
- Dielectric strength ..... 50/60 Hz, 500 VAC, for 1 minute (between lead wire conductors and frame)
- Insulation resistance ..... 10 MΩ or more with a 500 VDC megger (between lead wire conductors and frame)
- Sound pressure level (SPL) ..... At 1 m away from the air inlet
- Storage temperature ..... -30 to +70°C (Non-condensing)
- Lead wire ..... ⊕Red ⊖Black  Sensor  Yellow  Control  Brown
- Mass ..... 200 g

## Specifications

The models listed below **have pulse sensors with PWM control function.**

Model no.	Rated voltage [V]	Operating voltage range [V]	PWM duty cycle [%]	Rated current [A]	Rated input [W]	Rated speed [min <sup>-1</sup> ]	Max. airflow [m <sup>3</sup> /min] [CFM]	Max. static pressure [Pa] [inchH <sub>2</sub> O]	SPL [dB (A)]	Operating temperature [°C]	Expected life [h]
9BMC12P2G001	12	10.8 to 13.2	100	6.2	74.4	8200	1.85 65.3	1950 7.83	69	-20 to +70	40000/60°C (70000/40°C)
			20	0.38	4.56	2800	0.58 20.4	121.0 0.48	44		
9BMC24P2G001	24	21.6 to 26.4	100	3.1	74.4	8200	1.85 65.3	1950 7.83	69		
			20	0.19	4.56	2800	0.58 20.4	121.0 0.48	44		

\* PWM input frequency is 25 kHz; models without specifications at 0% PWM duty cycle have zero fan speed at 0%.

The following sensor and control options are available for selection.

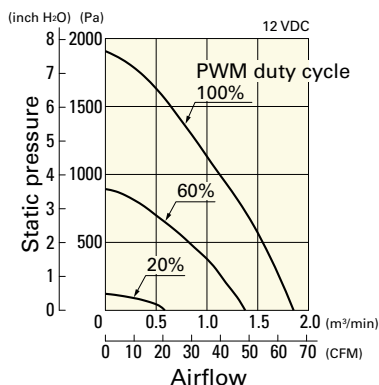
Differs according to the model. Refer to the table on p. 599. **Without sensor**

The mark indicates Short LeadTime Service applicable models. See p. 626 for details.

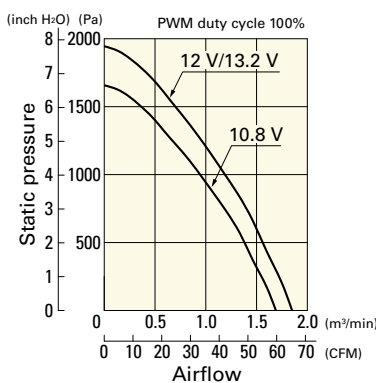
## Airflow - Static Pressure Characteristics / PWM Duty - Speed Characteristics Example

**9BMC12P2G001** With pulse sensor with PWM control function

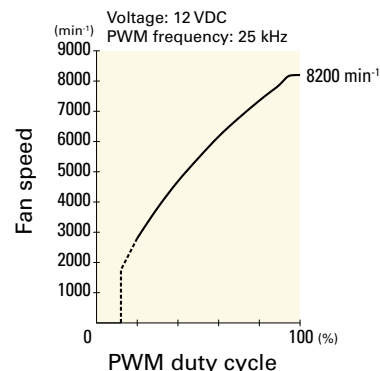
PWM duty cycle



Operating voltage range



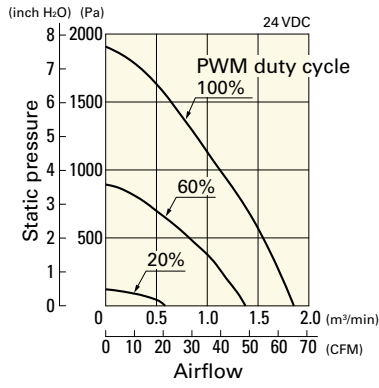
PWM duty - Speed characteristics example



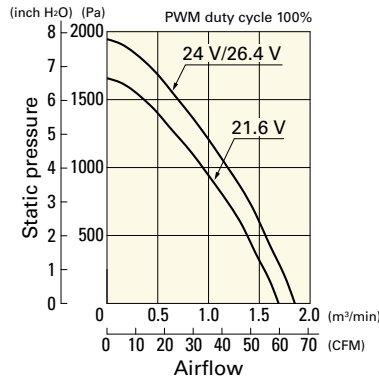
## Airflow - Static Pressure Characteristics / PWM Duty - Speed Characteristics Example

**9BMC24P2G001** With pulse sensor with PWM control function

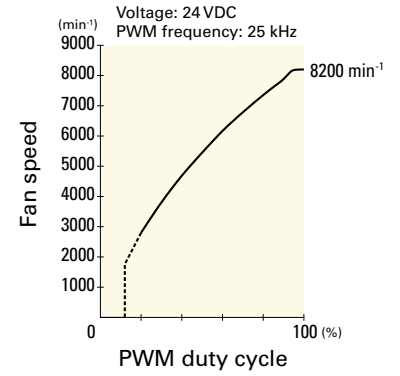
PWM duty cycle



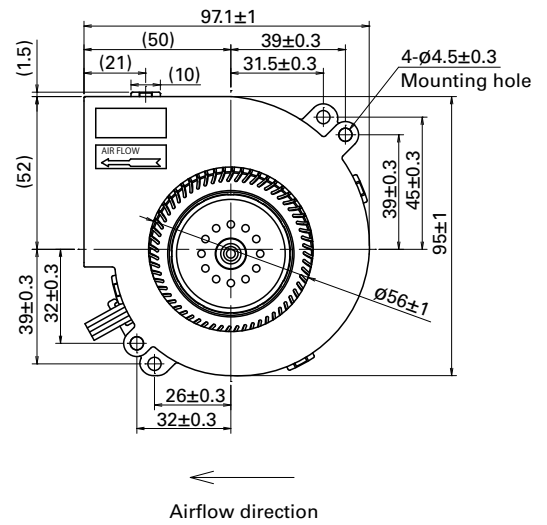
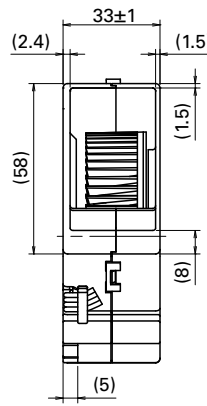
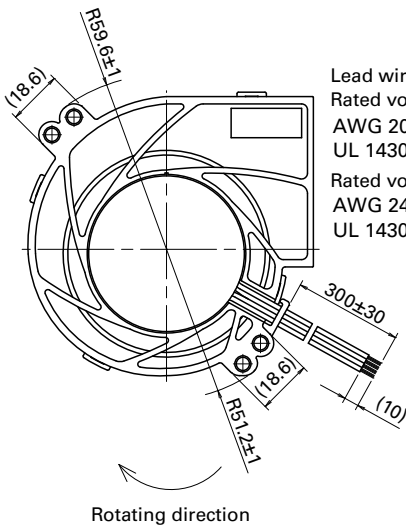
Operating voltage range



PWM duty - Speed characteristics example



## Dimensions (unit: mm)



Blower 97 mm DC



# 97×33 mm

## San Ace B97 9BMB type US

### General Specifications

- Material ..... Frame: Plastic (Flammability: UL 94V-0), Impeller: Plastic (Flammability: UL 94V-0)
- Expected life ..... See the table below. (L10 life: 90% survival rate for continuous operation in free air at 60°C, rated voltage)  
Expected life at 40°C is for reference only.
- Motor protection function ..... Locked rotor burnout protection, Reverse polarity protection  
For details, please refer to p. 573.
- Dielectric strength ..... 50/60 Hz, 500 VAC, for 1 minute (between lead wire conductors and frame)
- Insulation resistance ..... 10 MΩ or more with a 500 VDC megger (between lead wire conductors and frame)
- Sound pressure level (SPL) ..... At 1 m away from the air inlet
- Storage temperature ..... -30 to +70°C (Non-condensing)
- Lead wire ..... ⊕Red ⊖Black (Sensor) Yellow (Control) Brown  
(For models without PWM control function, there is no speed control wiring.)
- Mass ..... 190 g

### Specifications

The models listed below **have pulse sensors with PWM control function.**

Model no.	Rated voltage [V]	Operating voltage range [V]	PWM duty cycle [%]	Rated current [A]	Rated input [W]	Rated speed [min <sup>-1</sup> ]	Max. airflow [m <sup>3</sup> /min] [CFM]	Max. static pressure [Pa] [inchH <sub>2</sub> O]	SPL [dB (A)]	Operating temperature [°C]	Expected life [h]
9BMB12P2K01	12	10.8 to 13.2	100	3.4	40.8	6850	1.61 56.8	1280 5.14	66	-20 to +70	40000/60°C (70000/40°C)
9BMB12P2G01			100	1.8	21.6	5750	1.34 47.3	760 3.05	61		
9BMB12P2S01		10.2 to 13.8	100	1.4	16.8	5250	1.22 43.1	610 2.45	59		
9BMB12P2H01			100	1.1	13.2	4850	1.11 39.2	490 1.968	57		
9BMB12P2F01			100	0.9	10.8	4500	1.04 36.7	410 1.64	56		
9BMB24P2K01	24	21.6 to 26.4	100	1.62	38.88	6850	1.61 56.8	1280 5.14	66		
9BMB24P2G01			100	0.83	19.92	5750	1.34 47.3	760 3.05	61		
9BMB24P2S01		100	0.7	16.8	5250	1.22 43.1	610 2.45	59			
9BMB24P2H01		100	0.55	13.2	4850	1.11 39.2	490 1.968	57			
9BMB24P2F01		100	0.45	10.8	4500	1.04 36.7	410 1.64	56			

\* PWM input frequency is 25 kHz; models without specifications at 0% PWM duty cycle have zero fan speed at 0%.

The following sensor and control options are available for selection.

Available for all models. **Without sensor** **Pulse sensor**

Differs according to the model. Refer to the table on p. 599. **Lock sensor**

The models listed below **have pulse sensors.**

Model no.	Rated voltage [V]	Operating voltage range [V]	Rated current [A]	Rated input [W]	Rated speed [min <sup>-1</sup> ]	Max. airflow [m <sup>3</sup> /min] [CFM]	Max. static pressure [Pa] [inchH <sub>2</sub> O]	SPL [dB (A)]	Operating temperature [°C]	Expected life [h]
9BMB12K201	12	7 to 13.2	3.4	40.8	6850	1.61 56.8	1280 5.14	66	-20 to +70	40000/60°C (70000/40°C)
9BMB12G201			1.8	21.6	5750	1.34 47.3	760 3.052	61		
9BMB12S201		7 to 13.8	1.4	16.8	5250	1.22 43.1	610 2.45	59		
9BMB12H201			1.1	13.2	4850	1.11 39.2	490 1.968	57		
9BMB12F201			0.9	10.8	4500	1.04 36.7	410 1.647	56		
9BMB24K201	24	21.6 to 26.4	1.62	38.88	6850	1.61 56.8	1280 5.14	66		
9BMB24G201			0.83	19.9	5750	1.34 47.3	760 3.052	61		
9BMB24S201		12 to 26.4	0.7	16.8	5250	1.22 43.1	610 2.45	59		
9BMB24H201			0.55	13.2	4850	1.11 39.2	490 1.968	57		
9BMB24F201			0.45	10.8	4500	1.04 36.7	410 1.647	56		

The following sensor and control options are available for selection.

Available for all models. **Without sensor** **PWM control**

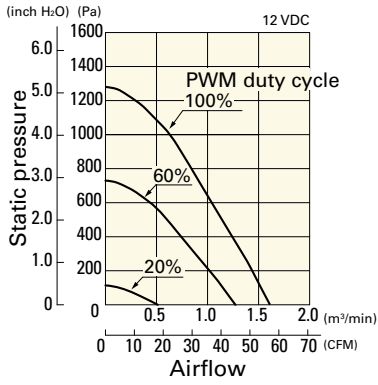
Differs according to the model. Refer to the table on p. 599. **Lock sensor**

The mark indicates Short Lead Time Service applicable models. See p. 626 for details.

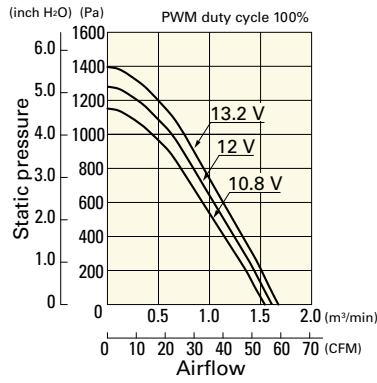
# Airflow - Static Pressure Characteristics / PWM Duty - Speed Characteristics Example

**9BMB12P2K01** With pulse sensor with PWM control function

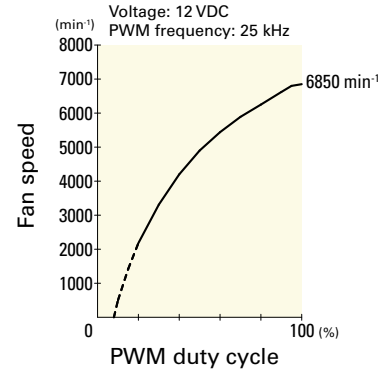
PWM duty cycle



Operating voltage range

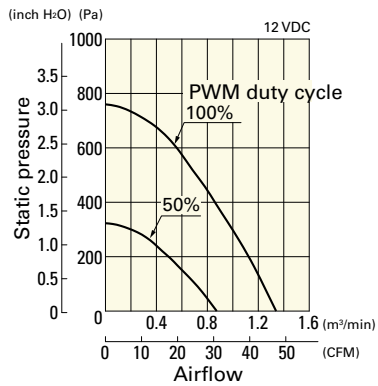


PWM duty - Speed characteristics example

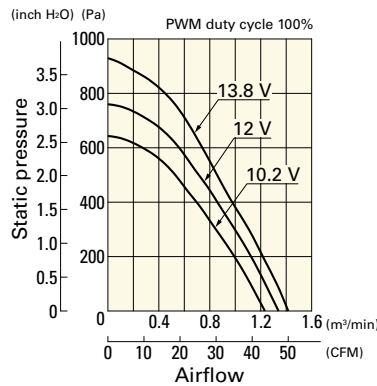


**9BMB12P2G01** With pulse sensor with PWM control function

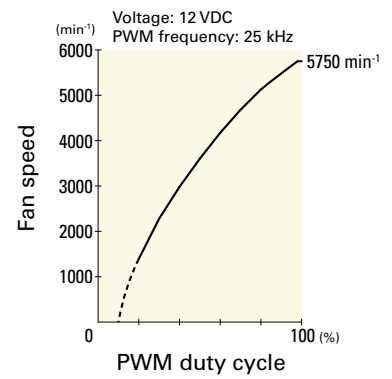
PWM duty cycle



Operating voltage range

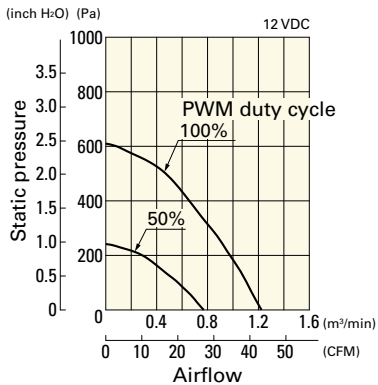


PWM duty - Speed characteristics example

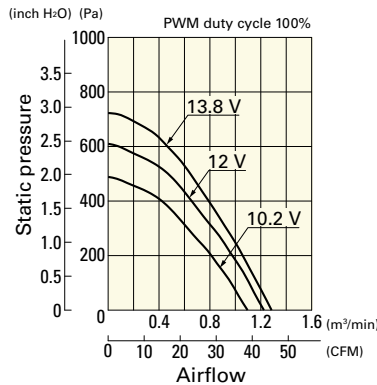


**9BMB12P2S01** With pulse sensor with PWM control function

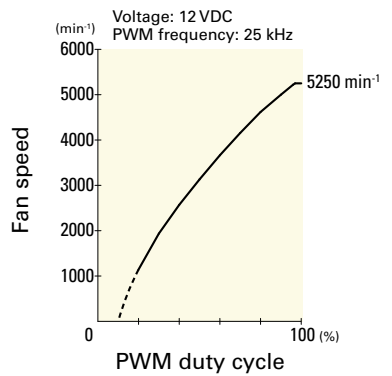
PWM duty cycle



Operating voltage range

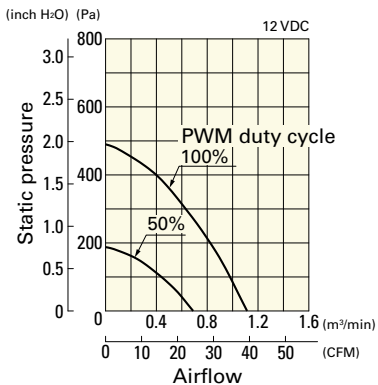


PWM duty - Speed characteristics example

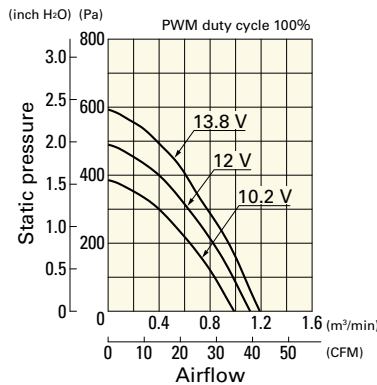


**9BMB12P2H01** With pulse sensor with PWM control function

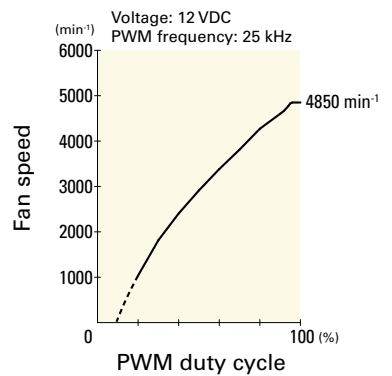
PWM duty cycle



Operating voltage range



PWM duty - Speed characteristics example

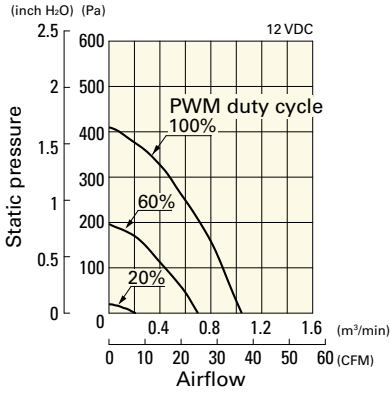


Blower 97 mm DC

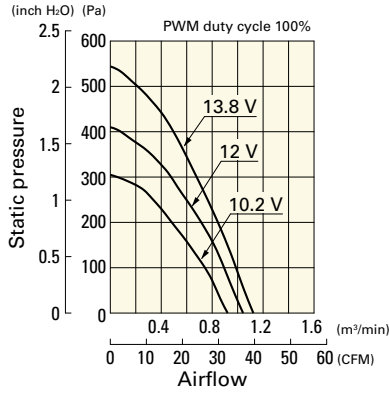
# Airflow - Static Pressure Characteristics / PWM Duty - Speed Characteristics Example

**9BMB12P2F01** With pulse sensor with PWM control function

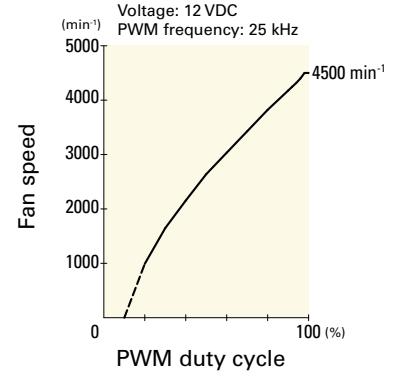
PWM duty cycle



Operating voltage range

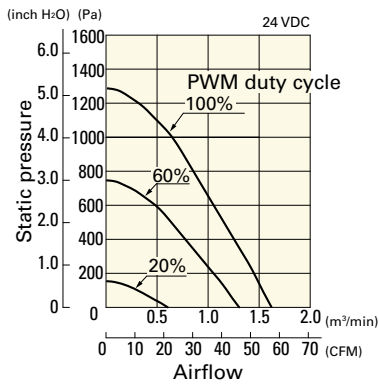


PWM duty - Speed characteristics example

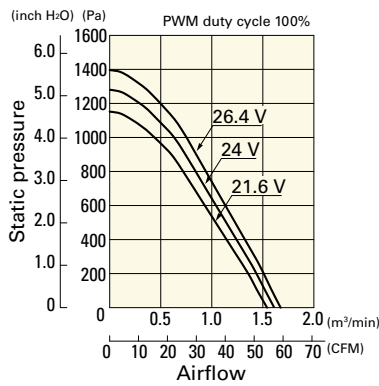


**9BMB24P2K01** With pulse sensor with PWM control function

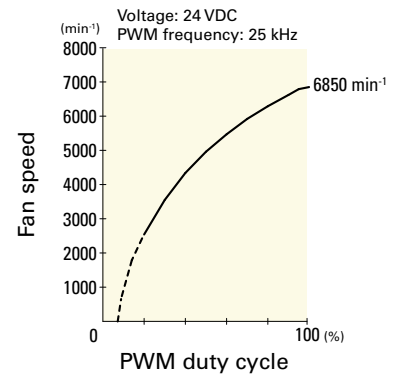
PWM duty cycle



Operating voltage range

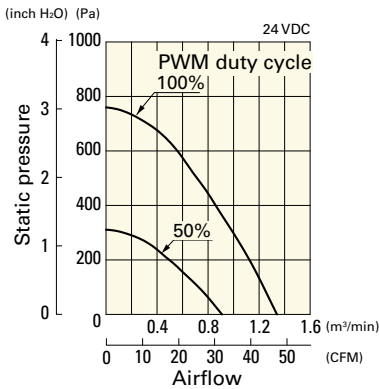


PWM duty - Speed characteristics example

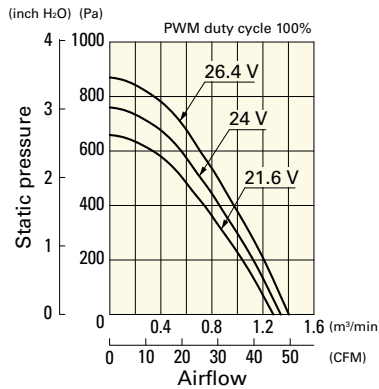


**9BMB24P2G01** With pulse sensor with PWM control function

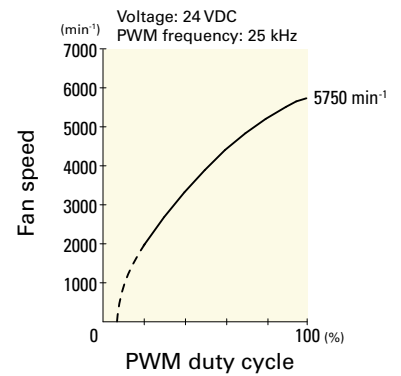
PWM duty cycle



Operating voltage range

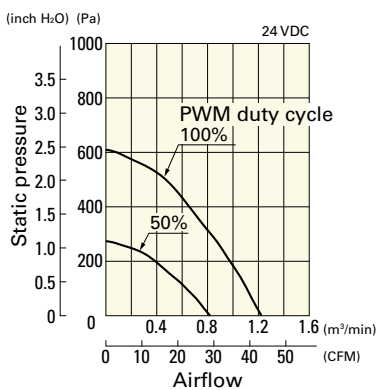


PWM duty - Speed characteristics example

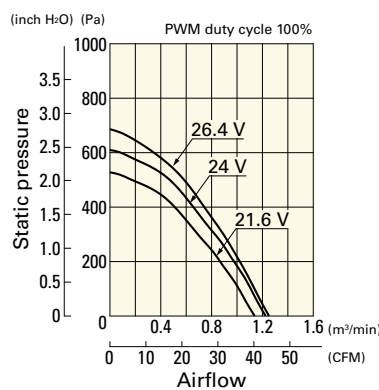


**9BMB24P2S01** With pulse sensor with PWM control function

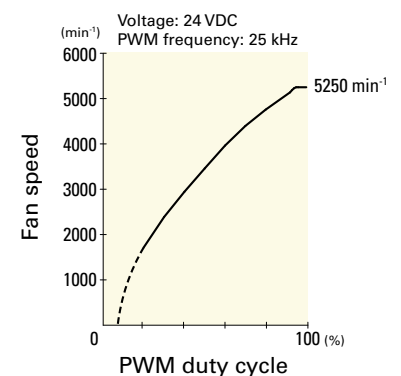
PWM duty cycle



Operating voltage range



PWM duty - Speed characteristics example



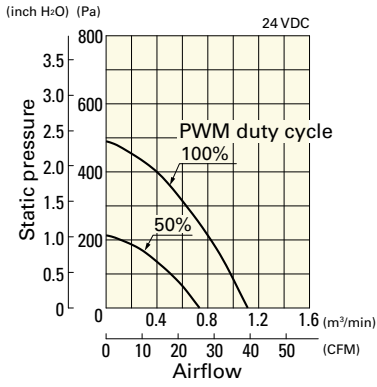
Blower 97 mm DC



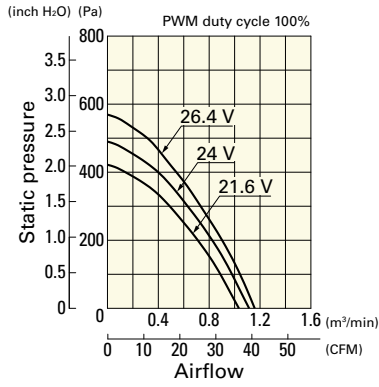
## Airflow - Static Pressure Characteristics / PWM Duty - Speed Characteristics Example

**9BMB24P2H01** With pulse sensor with PWM control function

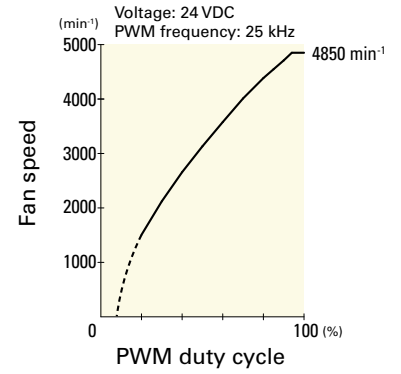
PWM duty cycle



Operating voltage range

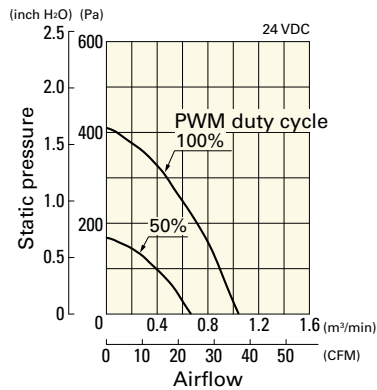


PWM duty - Speed characteristics example

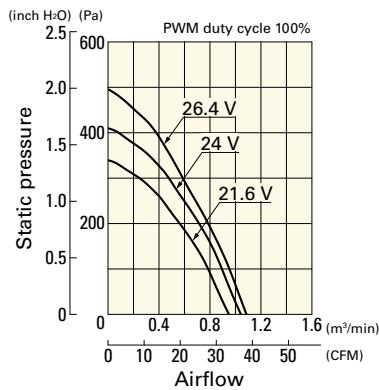


**9BMB24P2F01** With pulse sensor with PWM control function

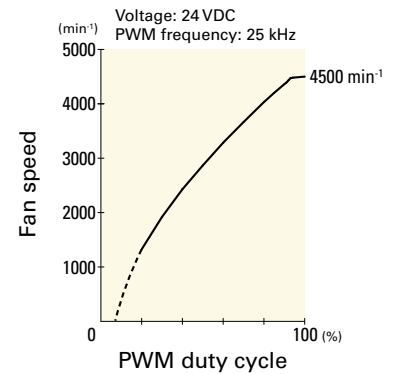
PWM duty cycle



Operating voltage range



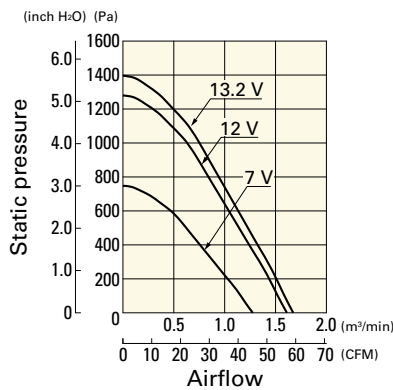
PWM duty - Speed characteristics example



## Airflow - Static Pressure Characteristics

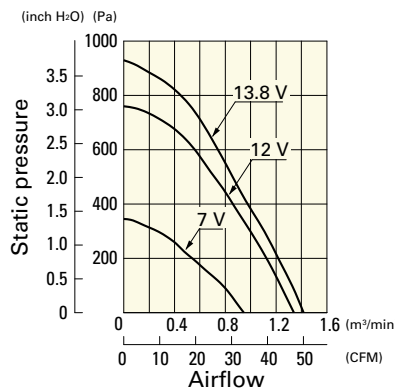
**9BMB12K201** With pulse sensor

Operating voltage range



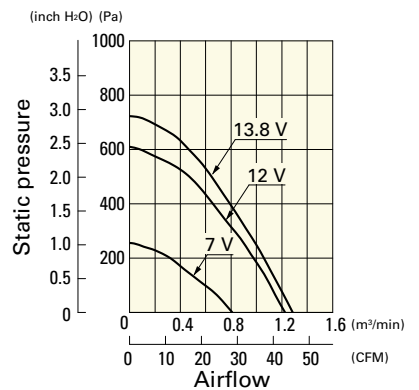
**9BMB12G201** With pulse sensor

Operating voltage range



**9BMB12S201** With pulse sensor

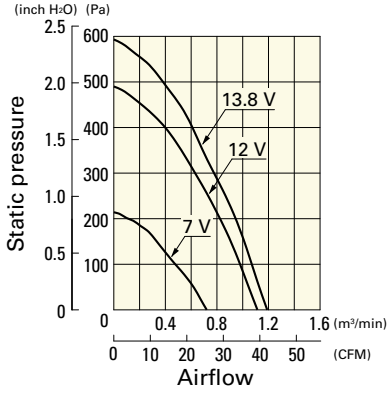
Operating voltage range



# Airflow - Static Pressure Characteristics

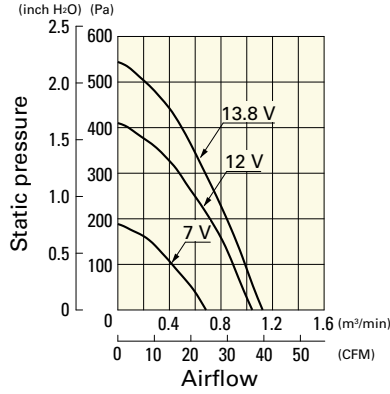
**9BMB12H201** With pulse sensor

Operating voltage range



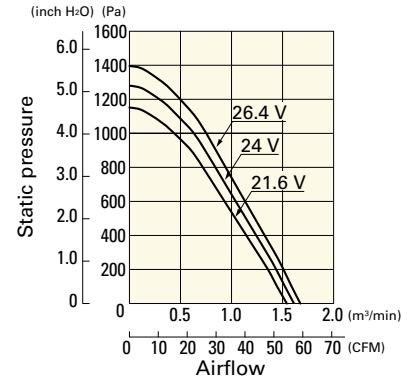
**9BMB12F201** With pulse sensor

Operating voltage range



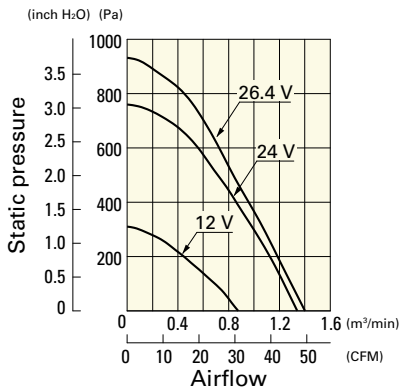
**9BMB24K201** With pulse sensor

Operating voltage range



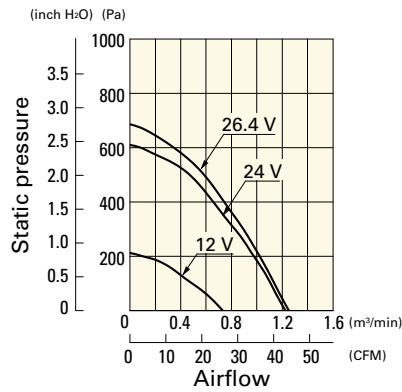
**9BMB24G201** With pulse sensor

Operating voltage range



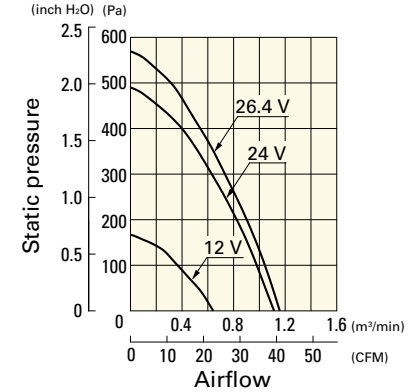
**9BMB24S201** With pulse sensor

Operating voltage range



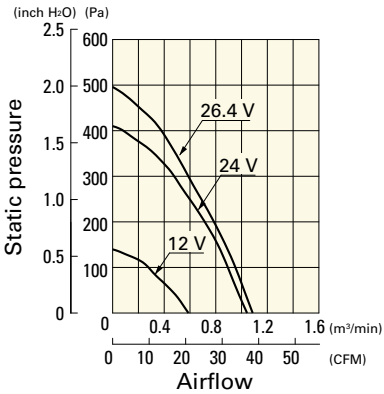
**9BMB24H201** With pulse sensor

Operating voltage range



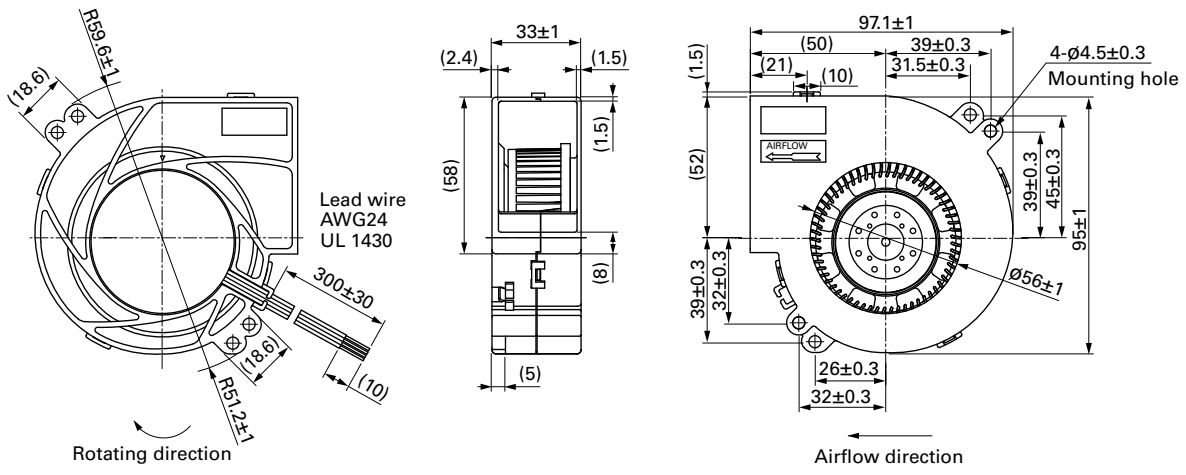
**9BMB24F201** With pulse sensor

Operating voltage range



DC Blower 97 mm

**Dimensions (unit: mm)** (With pulse sensor with PWM control function)



# 97x33 mm

San Ace B97 9BM type   



## General Specifications

- Material ..... Frame: Plastic (Flammability: UL 94V-0), Impeller: Plastic (Flammability: UL 94V-0)
- Expected life ..... See the table below. (L10 life: 90% survival rate for continuous operation in free air at 60°C, rated voltage) Expected life at 40°C is for reference only.
- Motor protection function ..... Locked rotor burnout protection, Reverse polarity protection  
For details, please refer to p. 573.
- Dielectric strength ..... 50/60 Hz, 500 VAC, for 1 minute (between lead wire conductors and frame)
- Insulation resistance ..... 10 MΩ or more with a 500 VDC megger (between lead wire conductors and frame)
- Sound pressure level (SPL) ..... At 1 m away from the air inlet
- Storage temperature ..... -30 to +70°C (Non-condensing)
- Lead wire ..... ⊕Red ⊖Black Sensor Yellow
- Mass ..... 175 g

## Specifications

The models listed below **have pulse sensors.**

Model no.	Rated voltage [V]	Operating voltage range [V]	Rated current [A]	Rated input [W]	Rated speed [min <sup>-1</sup> ]	Max. airflow [m <sup>3</sup> /min] [CFM]	Max. static pressure [Pa] [inchH <sub>2</sub> O]	SPL [dB (A)]	Operating temperature [°C]	Expected life [h]
109BM12GC2-1	12	7 to 13.8	0.6	7.2	3800	0.82 28.9	281 1.129	51.5	-20 to +70	40000/60°C (70000/40°C)
109BM12HC2-1			0.4	4.8	3300	0.71 25.1	204 0.819	48.5		
109BM12MC2-1			0.26	3.12	2700	0.58 20.5	119 0.478	43.5		
109BM24GC2-1	24	12 to 27.6	0.31	7.44	3800	0.82 28.9	281 1.129	51.5		
109BM24HC2-1			0.26	6.24	3300	0.71 25.1	204 0.819	48.5		
109BM24MC2-1			0.15	3.6	2700	0.58 20.5	119 0.478	43.5		

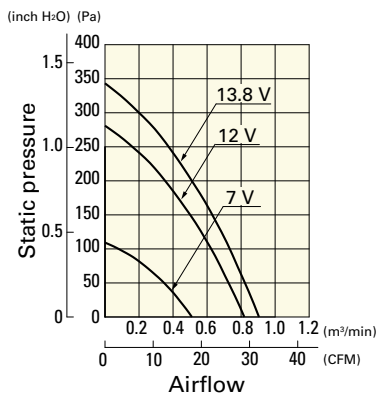
The following sensor and control options are available for selection.

- Available for all models. Without sensor Lock sensor  
 Differs according to the model. Refer to the table on p. 594. PWM control

## Airflow - Static Pressure Characteristics

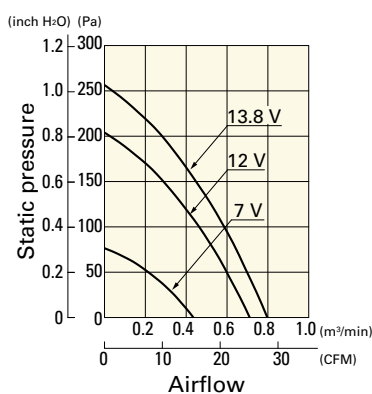
109BM12GC2-1 With pulse sensor

Operating voltage range



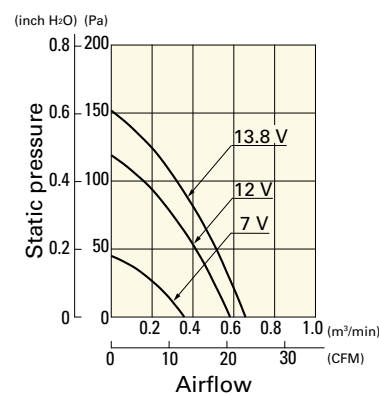
109BM12HC2-1 With pulse sensor

Operating voltage range



109BM12MC2-1 With pulse sensor

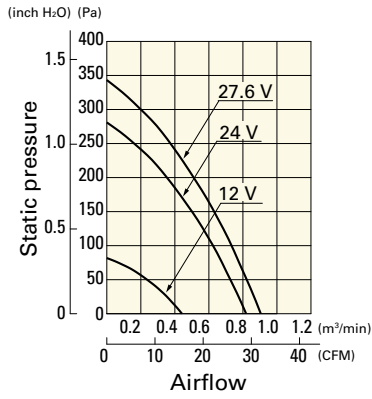
Operating voltage range



## Airflow - Static Pressure Characteristics

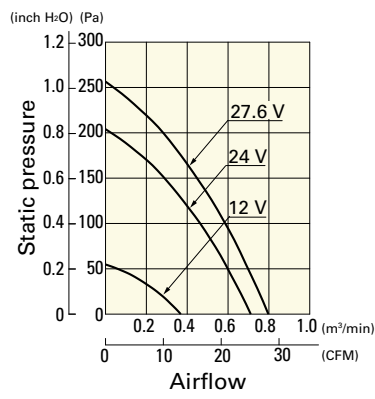
**109BM24GC2-1** With pulse sensor

Operating voltage range



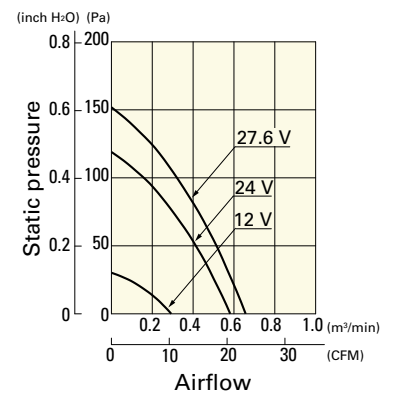
**109BM24HC2-1** With pulse sensor

Operating voltage range

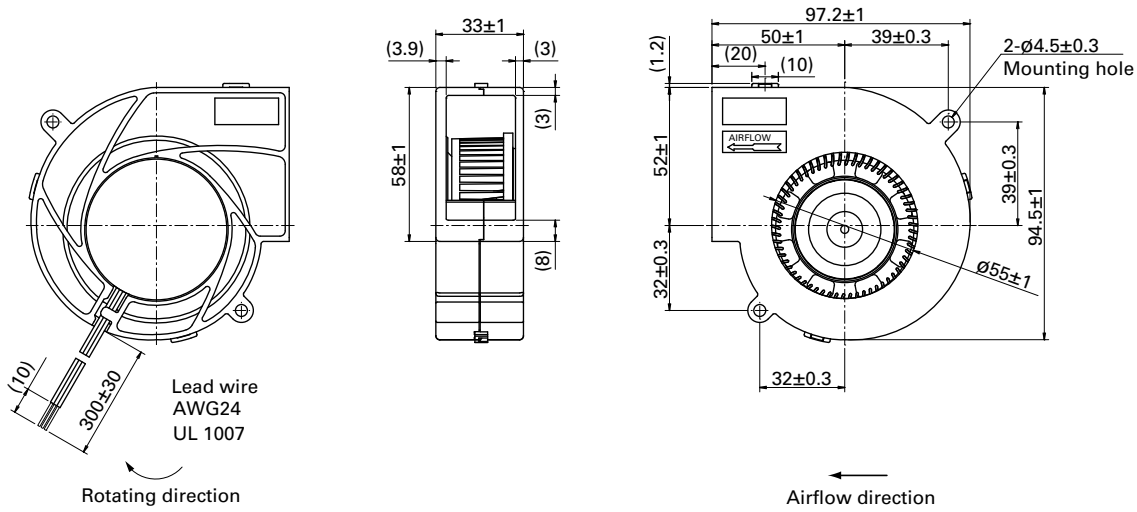


**109BM24MC2-1** With pulse sensor

Operating voltage range



## Dimensions (unit: mm)



Blower 97 mm DC

# 120x32 mm

San Ace B120 9BFB type   



## General Specifications


- Material ..... Frame: Plastic (Flammability: UL 94V-0), Impeller: Plastic (Flammability: UL 94V-0)
- Expected life ..... See the table below. (L10 life: 90% survival rate for continuous operation in free air at 60°C, rated voltage)  
Expected life at 40°C is for reference only.
- Motor protection function ..... Locked rotor burnout protection, Reverse polarity protection  
For details, please refer to p. 573.
- Dielectric strength ..... 50/60 Hz, 500 VAC, for 1 minute (between lead wire conductors and frame)
- Insulation resistance ..... 10 MΩ or more with a 500 VDC megger (between lead wire conductors and frame)
- Sound pressure level (SPL) ..... At 1 m away from the air inlet
- Storage temperature ..... -30 to +70°C (Non-condensing)
- Lead wire ..... ⊕Red ⊖Black  Sensor  Yellow  Control  Brown
- Mass ..... 340 g

## Specifications

The models listed below **have pulse sensors with PWM control function.**

Model no.	Rated voltage [V]	Operating voltage range [V]	PWM duty cycle* [%]	Rated current [A]	Rated input [W]	Rated speed [min <sup>-1</sup> ]	Max. airflow [m <sup>3</sup> /min] [CFM]	Max. static pressure [Pa] [inchH <sub>2</sub> O]	SPL [dB (A)]	Operating temperature [°C]	Expected life [h]
9BFB12P2H003	12	10.8 to 13.2	100	2.3	27.6	3750	1.6 56.5	1250 5.02	62	-20 to +70	40000/60°C (70000/40°C)
9BFB24P2H003	24	21.6 to 26.4	100	1.1	26.4	3750	1.6 56.5	1250 5.02	62		
			0	0.12	2.88	1300	0.46 16.2	43 0.17	41		

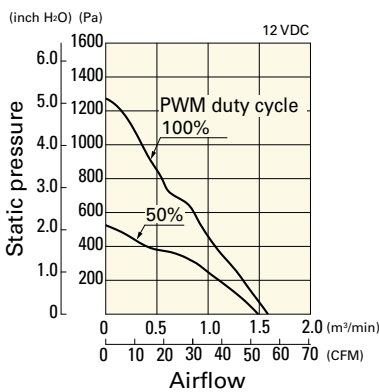
\* PWM input frequency is 25 kHz; models without specifications at 0% PWM duty cycle have zero fan speed at 0%.

The  mark indicates Short LeadTime Service applicable models. See p. 626 for details.

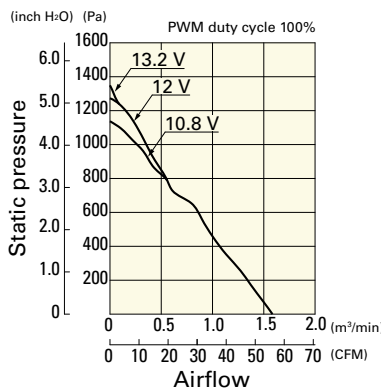
## Airflow - Static Pressure Characteristics / PWM Duty - Speed Characteristics Example

**9BFB12P2H003** With pulse sensor with PWM control function

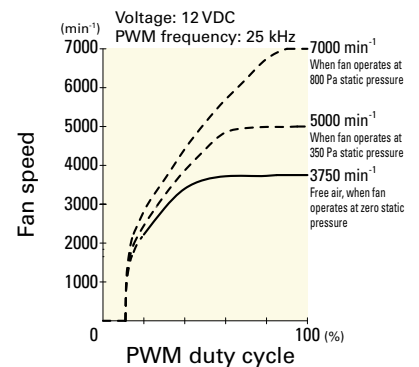
PWM duty cycle



Operating voltage range

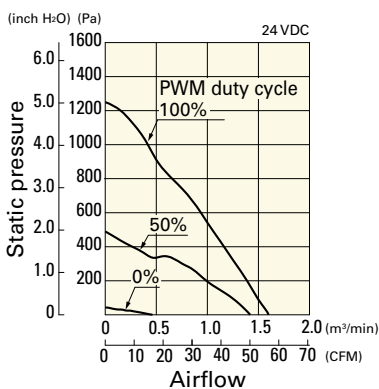


PWM duty - Speed characteristics example

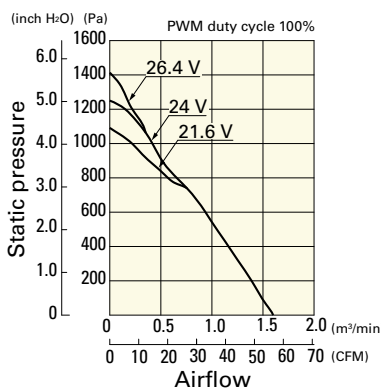


**9BFB24P2H003** With pulse sensor with PWM control function

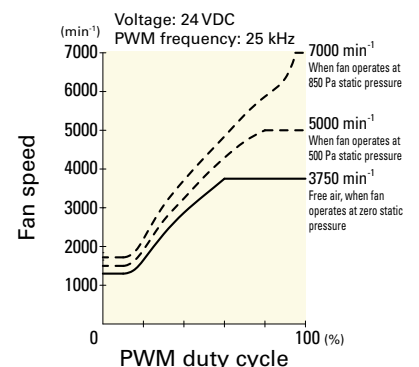
PWM duty cycle



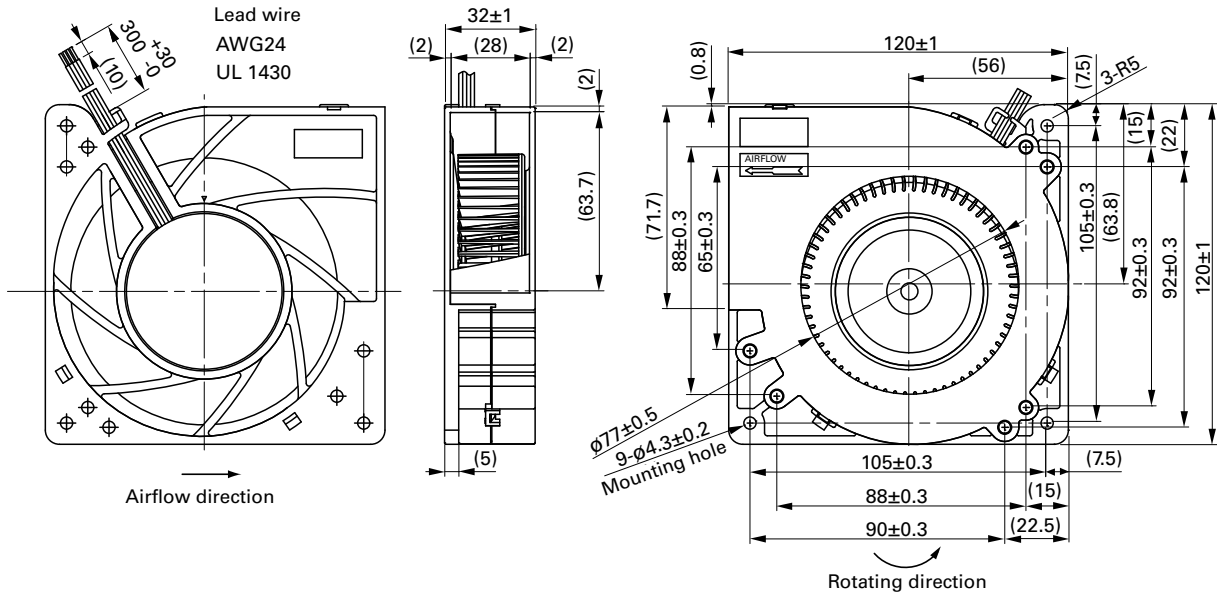
Operating voltage range



PWM duty - Speed characteristics example



■ Dimensions (unit: mm)



# 127×32 mm


**San Ace B127 9BJ type**

## General Specifications

- Material ..... Frame: Plastic (Flammability: UL 94V-0), Impeller: Plastic (Flammability: UL 94V-1)
- Expected life ..... See the table below. (L10 life: 90% survival rate for continuous operation in free air at 60°C, rated voltage)  
Expected life at 40°C is for reference only.
- Motor protection function ..... Locked rotor burnout protection, Reverse polarity protection  
For details, please refer to p. 573.
- Dielectric strength ..... 50/60 Hz, 500 VAC, for 1 minute (between lead wire conductors and frame)
- Insulation resistance ..... 10 MΩ or more with a 500 VDC megger (between lead wire conductors and frame)
- Sound pressure level (SPL) ..... At 1 m away from the air inlet
- Storage temperature ..... -30 to +70°C (Non-condensing)
- Lead wire ..... ⊕Red ⊖Black or Blue  Sensor  Yellow
- Mass ..... 290 g

## Specifications

The models listed below **have pulse sensors**.

Model no.	Rated voltage [V]	Operating voltage range [V]	Rated current [A]	Rated input [W]	Rated speed [min <sup>-1</sup> ]	Max. airflow [m <sup>3</sup> /min] [CFM]	Max. static pressure [Pa] [inchH <sub>2</sub> O]	SPL [dB (A)]	Operating temperature [°C]	Expected life [h]
▶▶ 109BJ12HC2	12	10.2 to 13.8	0.52	6.24	2400	0.78 27.5	205.8 0.826	46	-20 to +70	40000/60°C (70000/40°C)
▶▶ 109BJ12MC2			0.29	3.48	1900	0.61 21.5	109.8 0.441	40		
▶▶ 109BJ24HC2	24	20.4 to 27.6	0.26	6.24	2400	0.78 27.5	205.8 0.826	46	-20 to +60	
▶▶ 109BJ24MC2			0.15	3.6	1900	0.61 21.5	109.8 0.441	40		

The following sensor and control options are available for selection.

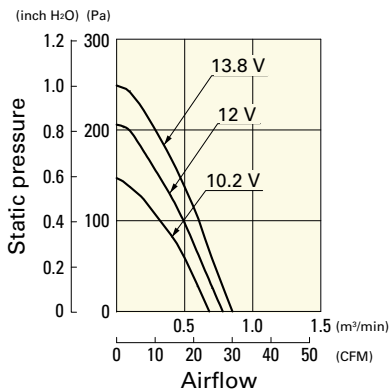
Available for all models.  Without sensor  Lock sensor

The ▶ mark indicates Short LeadTime Service applicable models. See p. 626 for details.

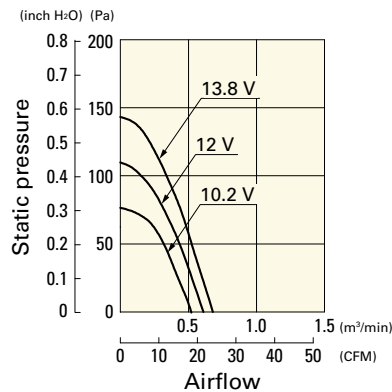
## Airflow - Static Pressure Characteristics

**109BJ12HC2** With pulse sensor

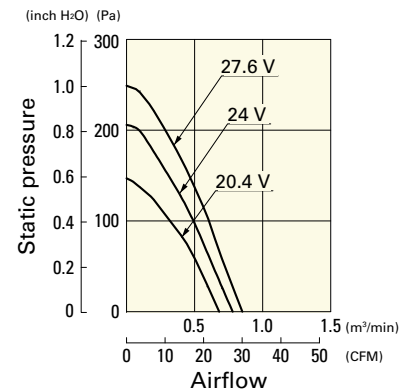
Operating voltage range


**109BJ12MC2** With pulse sensor

Operating voltage range


**109BJ24HC2** With pulse sensor

Operating voltage range







# 160x40 mm



San Ace B160 9BG type

## General Specifications

- Material ..... Frame: Plastic (Flammability: UL 94V-0), Impeller: Plastic (Flammability: UL 94V-1)
- Expected life ..... See the table below. (L10 life: 90% survival rate for continuous operation in free air at 60°C, rated voltage)  
Expected life at 40°C is for reference only.
- Motor protection function ..... Locked rotor burnout protection, Reverse polarity protection  
For details, please refer to p. 573.
- Dielectric strength ..... 50/60 Hz, 500 VAC, for 1 minute (between lead wire conductors and frame)
- Insulation resistance ..... 10 MΩ or more with a 500 VDC megger (between lead wire conductors and frame)
- Sound pressure level (SPL) ..... At 1 m away from the air inlet
- Storage temperature ..... -30 to +70°C (Non-condensing)
- Lead wire ..... ⊕Red ⊖Black or Blue  Sensor  Yellow
- Mass ..... 580 g

## Specifications

The models listed below **have pulse sensors**.

Model no.	Rated voltage [V]	Operating voltage range [V]	Rated current [A]	Rated input [W]	Rated speed [min <sup>-1</sup> ]	Max. airflow [m <sup>3</sup> /min] [CFM]	Max. static pressure [Pa] [inchH <sub>2</sub> O]	SPL [dB (A)]	Operating temperature [°C]	Expected life [h]
▶▶ 109BG12HC1	12	10.2 to 13.8	1.3	15.6	2300	1.62 57.2	313.6 1.259	55	-20 to +60	40000/60°C (70000/40°C)
▶▶ 109BG12MC1			0.64	7.68	1800	1.26 44.5	156.8 0.629	50		
▶▶ 109BG24HC1	24	20.4 to 27.6	0.62	14.88	2300	1.62 57.2	313.6 1.259	55		
▶▶ 109BG24MC1			0.31	7.44	1800	1.26 44.5	156.8 0.629	50		

The following sensor and control options are available for selection.

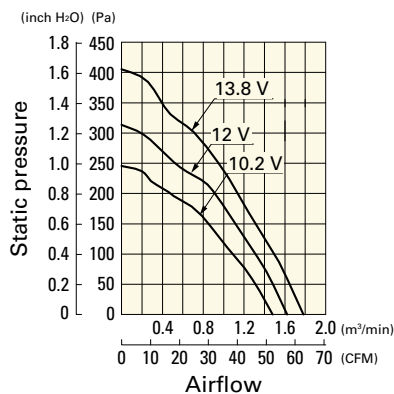
Available for all models.  Without sensor  Lock sensor

The ▶▶ mark indicates Short LeadTime Service applicable models. See p. 626 for details.

## Airflow - Static Pressure Characteristics

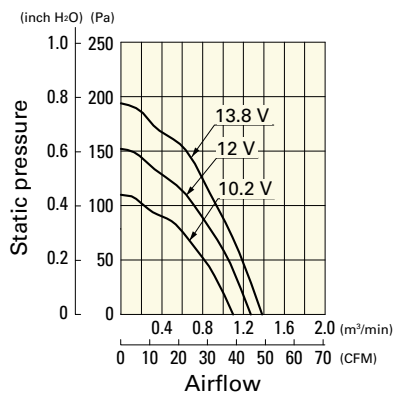
109BG12HC1 With pulse sensor

Operating voltage range



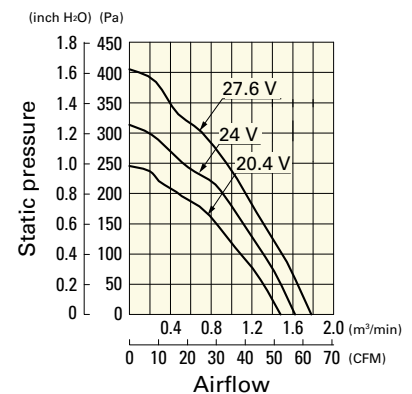
109BG12MC1 With pulse sensor

Operating voltage range



109BG24HC1 With pulse sensor

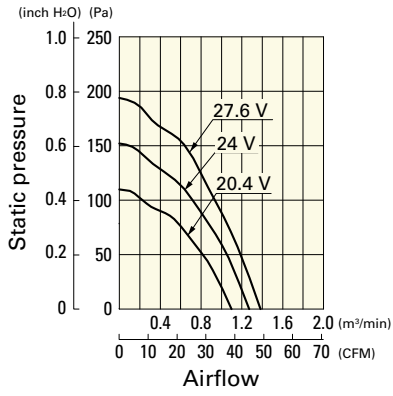
Operating voltage range



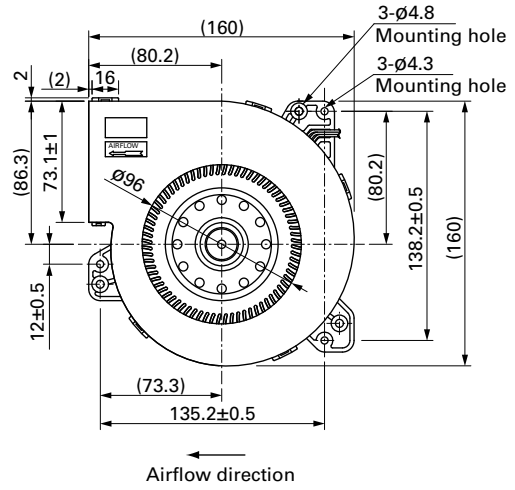
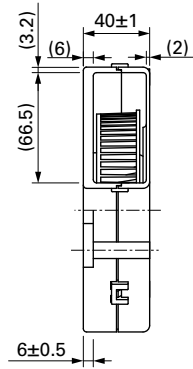
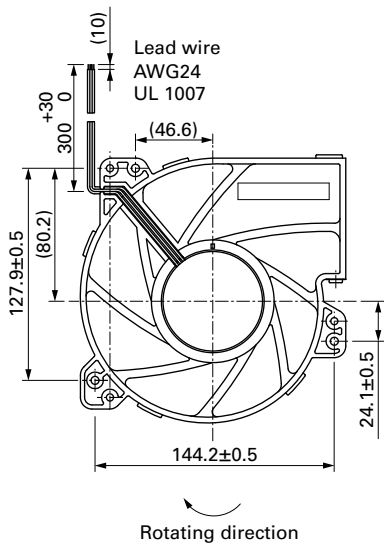
## Airflow - Static Pressure Characteristics

**109BG24MC1** With pulse sensor

Operating voltage range



## Dimensions (unit: mm)



Blower 160 mm DC



# ACDC Fan

This fan works while internally converting AC power into DC power, providing the superior performance of a DC fan with the flexibility of AC input.

**Model Numbering System** Not every combination of the following codes or characters is available. Contact us for an available combination.

9AD	09	01	H	1	2	
Type name	Frame size	Voltage	Speed code	Frame thickness	Sensor specifications	Frame form

Type name	9AD					
Frame size (mm)	09		12			
	92×92		120×120			
Voltage (V)	01					
	100 to 240					
Speed code	H M etc.					
Frame thickness (mm)	1					
	38					
Sensor specifications	2		H			
	Without a sensor		With a low-speed sensor			
Frame form	Nil			1		
	Plastic frame: Ribbed frame			Plastic frame: Ribless frame		

## Centrifugal Fan

9ADT	S	11	P	0	G	001
Type name	Impeller size	Voltage	PWM control function	Thickness	Speed code	Individual customer's spec

## Splash Proof Centrifugal Fan

9ADW1T	S	11	P	0	H	001
Type name	Impeller size	Voltage	PWM control function	Thickness	Speed code	Individual customer's spec

Type name	9ADT 9ADW1T					
Impeller size (mm)	S					
	∅225					
Voltage (V)	11		23			
	115		230			
Thickness (mm)	0					
	69 <sub>min.</sub>					
Speed code	G H etc.					



# 92×92×38 mm

San Ace 92AD 9AD type

## General Specifications

- Material ..... Frame: Plastic (Flammability: UL 94V-0), Impeller: Plastic (Flammability: UL 94V-0)
- Expected life ..... See the table below. (L10 life: 90% survival rate for continuous operation in free air at 60°C, rated voltage) Expected life at 40°C is for reference only.
- Motor structure ..... Brushless DC motor
- Motor protection function ..... Locked rotor burnout protection, Reverse polarity protection  
For details, please refer to p. 573.
- Dielectric strength ..... 50/60 Hz, 1500 VAC, for 1 minute (between input terminal and frame, and between sensor output and frame)
- Insulation resistance ..... 10 MΩ or more with a 500 VDC megger
- Sound pressure level (SPL) ..... At 1 m away from the air inlet
- Storage temperature ..... -30 to +75°C (Non-condensing)
- Mass ..... 250 g

Do not solder wires directly to AC input terminals.

## Specifications

The models listed below **have ribs and no sensors**. For models without ribs, append "1" to the end of model numbers.

Model no.	Rated voltage [V]	Operating voltage range [V]	Frequency [Hz]	Rated current [A]	Rated input [W]	Rated speed [min <sup>-1</sup> ]	Max. airflow [m <sup>3</sup> /min] [CFM]	Max. static pressure [Pa] [inchH <sub>2</sub> O]	SPL [dB (A)]	Operating temperature [°C]	Expected life [h]
▶▶ 9AD0901H12	100 to 240	90 to 264	50/60	0.08	4.5	3850	1.5 53.0	90 0.36	40	-20 to +75	60000/60°C (90000/40°C)
▶▶ 9AD0901M12				0.06	3.0	3100	1.18 41.7	56 0.22	33		

The following sensor and control options are available for selection.

Available for all models. **Pulse sensor**

The models listed below **have ribs and low-speed sensors**. For models without ribs, append "1" to the end of model numbers.

Model no.	Rated voltage [V]	Operating voltage range [V]	Frequency [Hz]	Rated current [A]	Rated input [W]	Rated speed [min <sup>-1</sup> ]	Max. airflow [m <sup>3</sup> /min] [CFM]	Max. static pressure [Pa] [inchH <sub>2</sub> O]	SPL [dB (A)]	Operating temperature [°C]	Expected life [h]
▶▶ 9AD0901H1H	100 to 240	90 to 264	50/60	0.08	4.5	3850	1.5 53.0	90 0.36	40	-20 to +75	60000/60°C (90000/40°C)
▶▶ 9AD0901M1H				0.06	3.0	3100	1.18 41.7	56 0.22	33		

The following sensor and control options are available for selection.

Available for all models. **Pulse sensor**

The ▶▶ mark indicates Short LeadTime Service applicable models. See p. 626 for details.

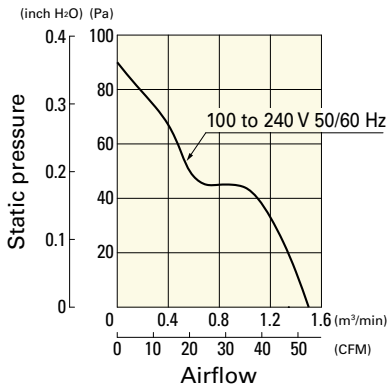
## Set Models

Fan, finger guard, plug cord, screws, etc. can be purchased in one package. For details, please refer to p. 627.

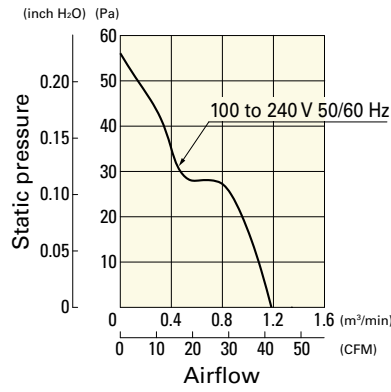
Order no.	Set items					
	Fan	Voltage	Low-speed sensor	Plug cord	Finger guards	Mounting screws
ST1-9AD0901H12	9AD0901H12	100 to 240 V		489-1635-L10	109-099E	M4×55 mm (4 screws)
ST1-9AD0901M12	9AD0901M12			489-1635-L10	109-099E	
ST1-9AD0901H1H	9AD0901H1H		○	489-1635-L10	109-099E	
ST1-9AD0901M1H	9AD0901M1H		○	489-1635-L10	109-099E	

## Airflow - Static Pressure Characteristics

### 9AD0901H12, 9AD0901H1H

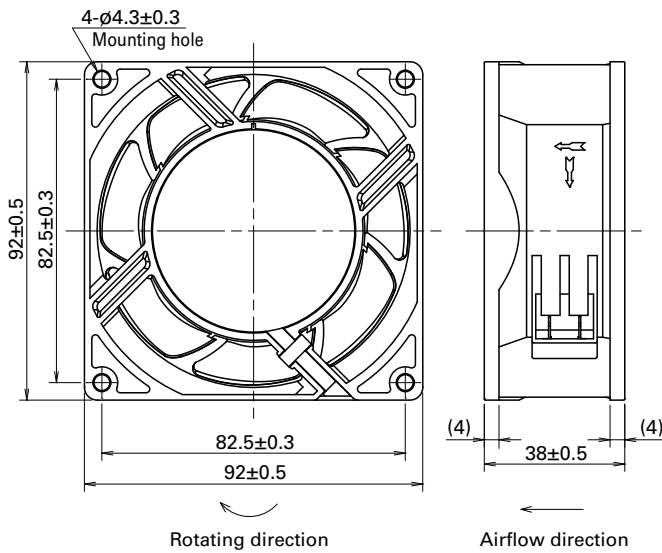


### 9AD0901M12, 9AD0901M1H

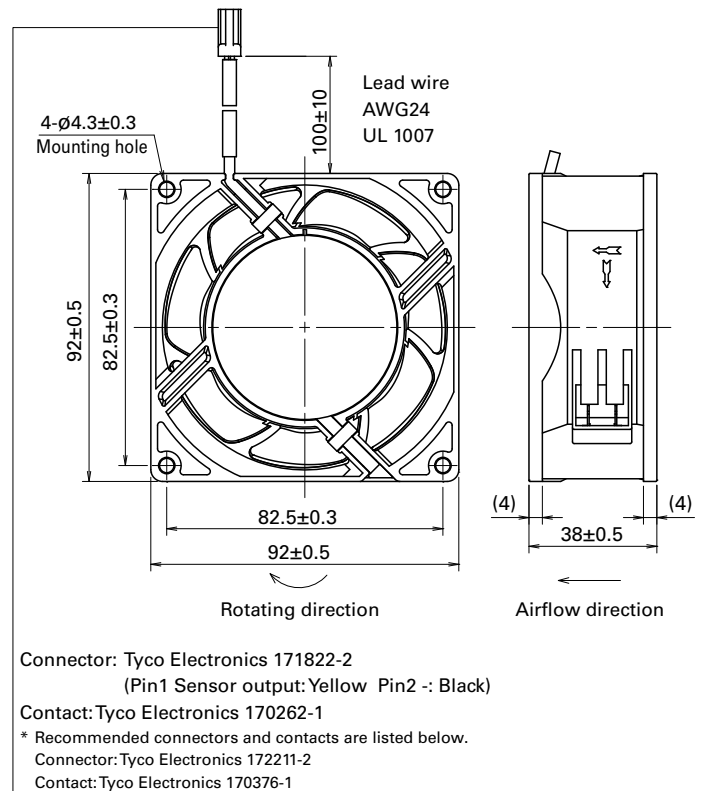


## Dimensions (unit: mm) (With ribs)

### without Sensor

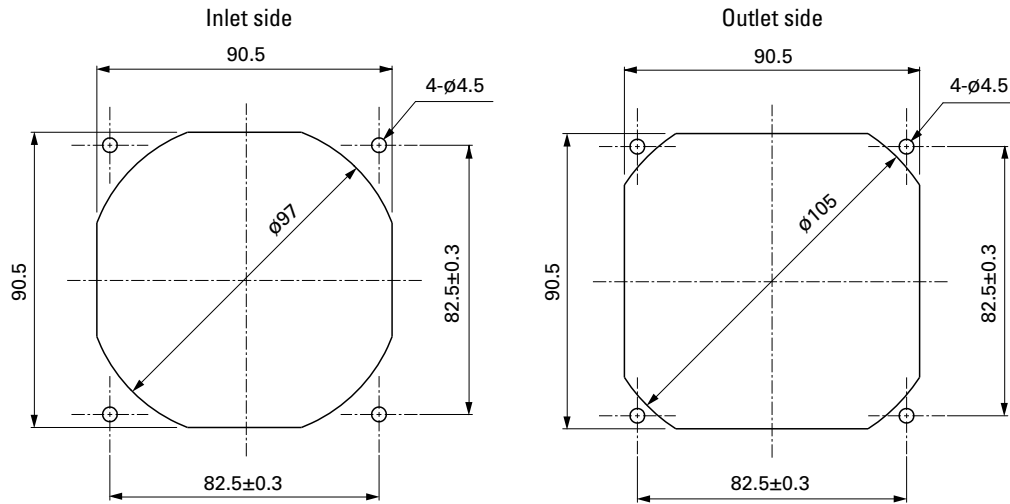


### with Low-speed sensor



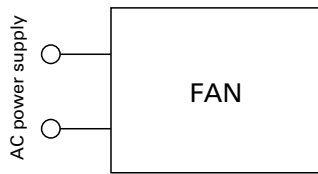
ACDC Fan 92 mm sq. AC

## Reference Dimensions of Mounting Holes and Vent Opening (unit: mm)

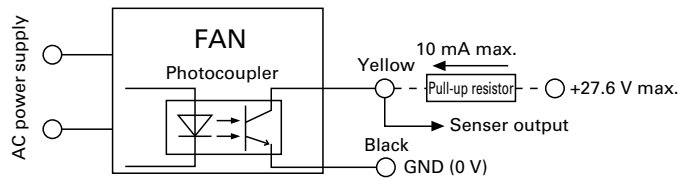


## Wiring Diagram

### without Sensor

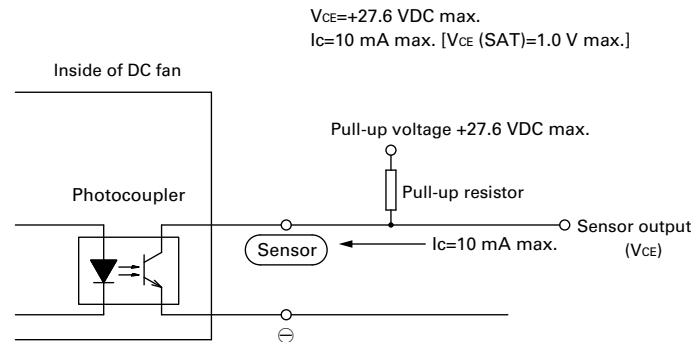


### with Low-speed sensor



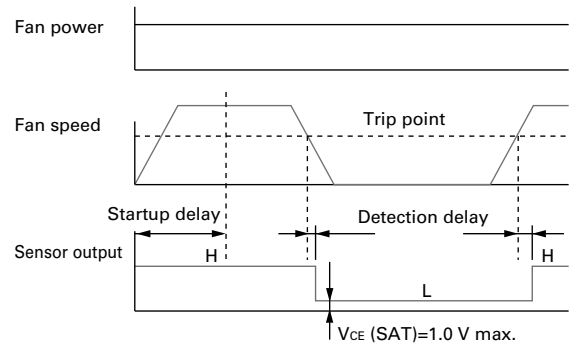
## Specifications for Low-speed Sensors

Typical standard model: 9AD0901H1H  
Output circuit: Open collector

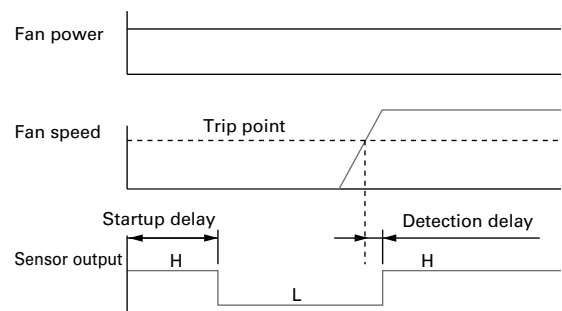


### Sensor scheme

#### Example 1: when steady running



#### Example 2: when the rotor is locked when the fan motor is turned on and released after the start-up delay time.



#### 9AD0901H1H

Startup delay: 18 ± 3 s  
Detection delay: 3 s max.  
Trip point: 1700 min<sup>-1</sup>

#### 9AD0901M1H

Startup delay: 36 ± 3 s  
Detection delay: 3 s max.  
Trip point: 850 min<sup>-1</sup>



## Options

### Finger guards

page: p. 558

Model no.: 109-099C, 109-099E, 109-099H

### Resin finger guards

page: p. 565

Model no.: 109-1001G

### Resin filter kits

page: p. 566

Model no.: 109-1001F13 (13PPI), 109-1001F20 (20PPI),  
109-1001F30 (30PPI), 109-1001F40 (40PPI)

### Plug cord

page: p. 569

Model no.: 489-1635-L10, 489-1635-L21

### Wiring harness for sensor

page: p. 569

Model no.: 489-1636

## Features of the San Ace 92AD 9AD type ACDC Fan

Low power consumption

Long life

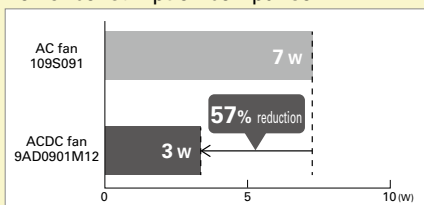
Wide voltage range

(Compared with our existing AC fan with equal size.)

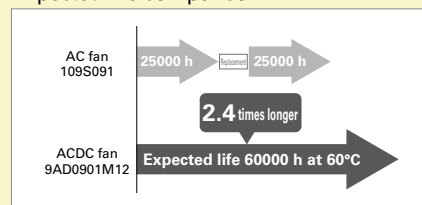
With AC input, the same level of energy saving and long life as a DC fan can be achieved.

The maintenance effort can be reduced too.

### Power consumption comparison



### Expected life comparison





# 120×120×38 mm

San Ace 120AD 9AD type      

## General Specifications

- Material ..... Frame: Plastic (Flammability: UL 94V-0), Impeller: Plastic (Flammability: UL 94V-1)
- Expected life ..... See the table below. (L10 life: 90% survival rate for continuous operation in free air at 60°C, rated voltage) Expected life at 40°C is for reference only.
- Motor structure ..... Brushless DC motor
- Motor protection function ..... Locked rotor burnout protection, Reverse polarity protection  
For details, please refer to p. 573.
- Dielectric strength ..... 50/60 Hz, 1500 VAC, for 1 minute (between input terminal and frame, and between sensor output and frame)
- Insulation resistance ..... 10 MΩ or more with a 500 VDC megger
- Sound pressure level (SPL) ..... At 1 m away from the air inlet
- Storage temperature ..... -30 to +75°C (Non-condensing)
- Mass ..... 290 g

Do not solder wires directly to AC input terminals.

## Specifications

The models listed below **have ribs and no sensors**. For models without ribs, append "1" to the end of model numbers.

Model no.	Rated voltage [V]	Operating voltage range [V]	Frequency [Hz]	Rated current [A]	Rated input [W]	Rated speed [min <sup>-1</sup> ]	Max. airflow [m <sup>3</sup> /min] [CFM]	Max. static pressure [Pa] [inchH <sub>2</sub> O]	SPL [dB (A)]	Operating temperature [°C]	Expected life [h]
» 9AD1201H12	100 to 240	90 to 264	50/60	0.08	4.4	3250	3.0 106	84 0.34	42	-20 to +75	60000/60°C (90000/40°C)

The following sensor and control options are available for selection.

Available for all models. **Pulse sensor**

The models listed below **have ribs and low-speed sensors**. For models without ribs, append "1" to the end of model numbers.

Model no.	Rated voltage [V]	Operating voltage range [V]	Frequency [Hz]	Rated current [A]	Rated input [W]	Rated speed [min <sup>-1</sup> ]	Max. airflow [m <sup>3</sup> /min] [CFM]	Max. static pressure [Pa] [inchH <sub>2</sub> O]	SPL [dB (A)]	Operating temperature [°C]	Expected life [h]
» 9AD1201H1H	100 to 240	90 to 264	50/60	0.08	4.4	3250	3.0 106	84 0.34	42	-20 to +75	60000/60°C (90000/40°C)

The following sensor and control options are available for selection.

Available for all models. **Pulse sensor**

The » mark indicates Short LeadTime Service applicable models. See p. 626 for details.

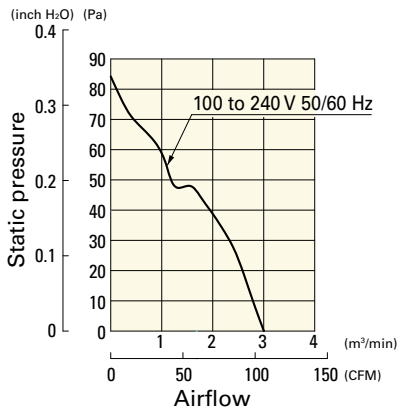
## Set Models

Fan, finger guard, plug cord, screws, etc. can be purchased in one package. For details, please refer to p. 627.

Order no.	Set items					
	Fan	Voltage	Low-speed sensor	Plug cord	Finger guards	Mounting screws
ST1-9AD1201H12	9AD1201H12	100 to		489-1635-L10	109-019E	M4×55 mm (4 screws)
ST1-9AD1201H1H	9AD1201H1H	240 V	○	489-1635-L10	109-019E	

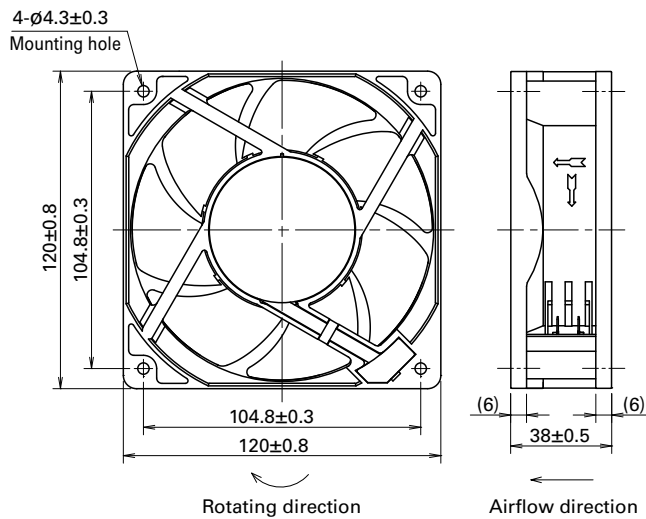
## Airflow - Static Pressure Characteristics

### 9AD1201H12, 9AD1201H1H

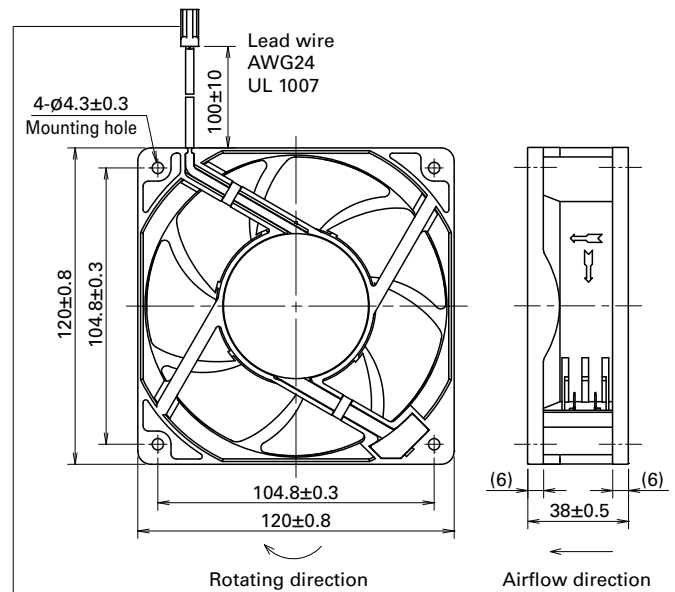


## Dimensions (unit: mm) (With ribs)

### without Sensor



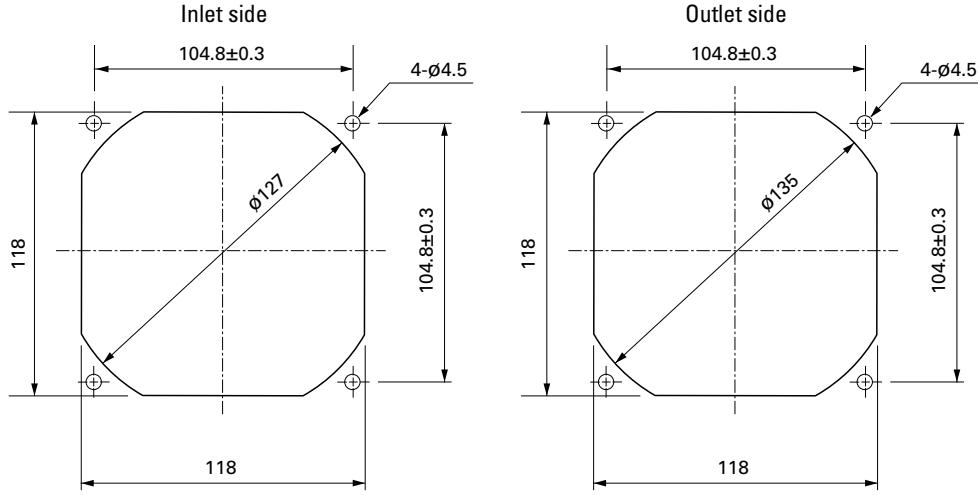
### with Low-speed sensor



Connector: Tyco Electronics 171822-2  
 (Pin1 Sensor output: Yellow Pin2 -: Black)  
 Contact: Tyco Electronics 170262-1  
 \* Recommended connectors and contacts are listed below.  
 Connector: Tyco Electronics 172211-2  
 Contact: Tyco Electronics 170376-1

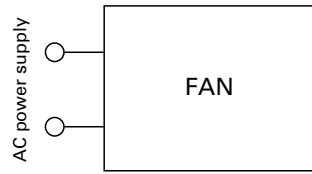
ACDC Fan 120 mm sq. AC

**Reference Dimensions of Mounting Holes and Vent Opening (unit: mm)**

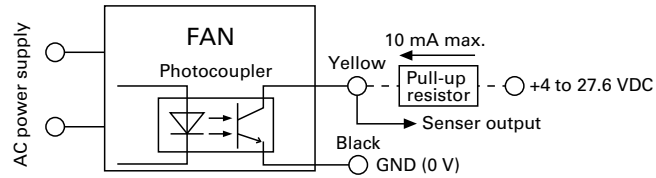


**Wiring Diagram**

**without Sensor**



**with Low-speed sensor**

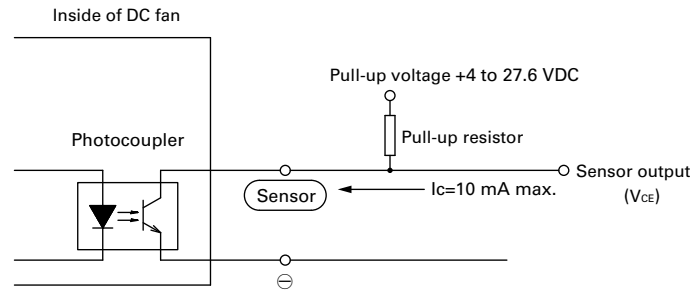


**Specifications for Low-speed Sensors**

Model No.: 9AD1201H1H

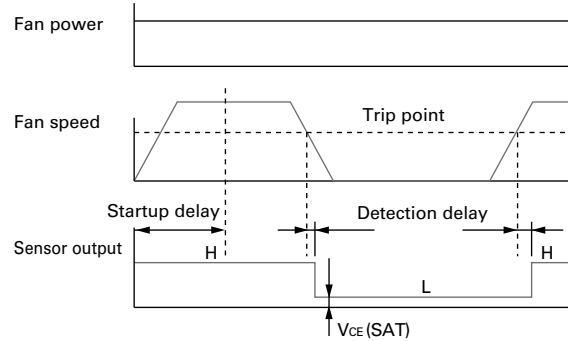
Output circuit: Open collector

$V_{CE} = +27.6$  VDC max.  
 $I_C = 10$  mA max. [ $V_{CE(SAT)} = 1.0$  V max.]

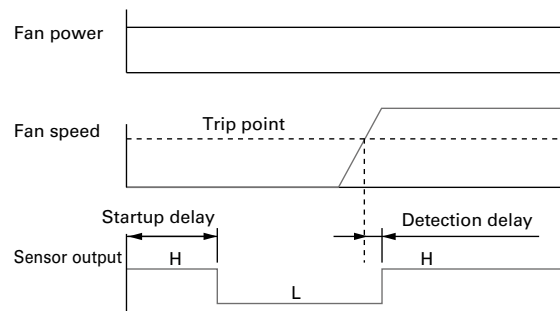


Sensor scheme

Example 1: when steady running



Example 2: when the rotor is locked when the fan motor is turned on and released after the start-up delay time.



Startup delay:  $18 \pm 3$  s  
 Detection delay: 3 s max.  
 Trip point:  $1700 \text{ min}^{-1}$

## Options

### Finger guards

page: p. 559

Model no.: 109-019C, 109-019H, 109-019E, 109-019K

### Resin finger guards

page: p. 565

Model no.: 109-1000G

### Resin filter kits

page: p. 566

Model no.: 109-1000F13 (13PPI), 109-1000F20 (20PPI),  
109-1000F30 (30PPI), 109-1000F40 (40PPI)

### Plug cord

page: p. 569

Model no.: 489-1635-L10, 489-1635-L21

### Wiring harness for sensor

page: p. 569

Model no.: 489-1636

## Features of the San Ace 120AD 9AD type ACDC Fan

Low power consumption

Long life

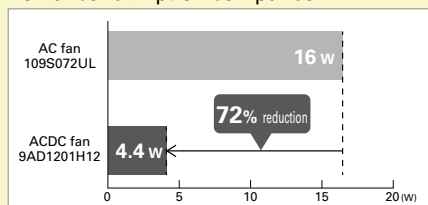
Wide voltage range

(Compared with our existing AC fan with equal size.)

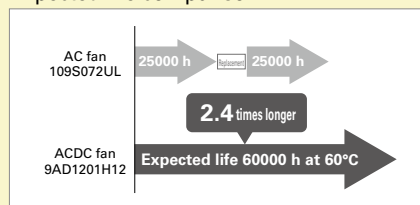
With AC input, the same level of energy saving and long life as a DC fan can be achieved.

The maintenance effort can be reduced too.

### Power consumption comparison



### Expected life comparison





# ∅225x99 mm

## San Ace 225AD 9ADTS type

### General Specifications

- Material ..... Motor case: Aluminum (Black coating), Impeller: Plastic (Flammability: UL 94V-0)
- Expected life ..... See the table below. (L10 life: 90% survival rate for continuous operation in free air at 40°C, rated voltage)
- Motor protection function ..... Locked rotor burnout protection, For details, please refer to p. 573.
- Dielectric strength ..... 50/60 Hz, 1500 VAC, for 1 minute (between lead wire conductors and motor case)
- Insulation resistance ..... 10 MΩ or more with a 500 VDC megger (between lead wire conductors and motor case)
- Sound pressure level (SPL) ..... At 1 m away from the air inlet
- Storage temperature ..... -30 to +70°C (Non-condensing)
- Lead wire ..... AC power input L: Orange N: Gray Ground Yellow / Green  
+10 VDC output Red ⊖Black Sensor Yellow Control Brown
- Mass ..... 1800 g

### Specifications When the optional inlet nozzle (109-1134) is mounted.

The models listed below **have pulse sensors with PWM control function.**

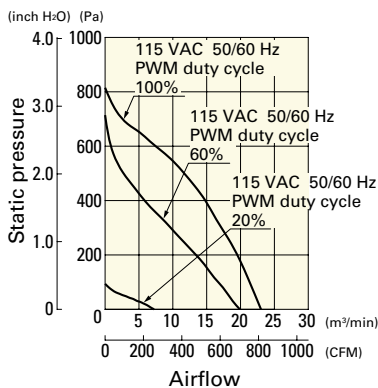
Model no.	Rated voltage [V]	Operating voltage range [V]	PWM duty cycle* [%]	Rated current [A]	Rated input [W]	Rated speed [min <sup>-1</sup> ]	Max. airflow [m <sup>3</sup> /min] [CFM]	Max. static pressure [Pa] [inchH <sub>2</sub> O]	SPL [dB (A)]	Operating temperature [°C]	Expected life [h]
9ADTS11P0G001	115	90 to 132	100	3.6	155	3200	23.0 812	815 3.27	74	-20 to +60	40000/40°C
			20	0.3	10	1000	7.1 252	80 0.32	50		
9ADTS11P0F001			100	1.6	70	2450	17.6 621	480 1.93	68		
			20	0.3	10	1000	7.1 252	80 0.32	50		
9ADTS23P0G001	230	180 to 264	100	2.0	155	3200	23.0 812	815 3.27	74		
			20	0.2	10	1000	7.1 252	80 0.32	50		
9ADTS23P0F001			100	0.9	70	2450	17.6 621	480 1.93	68		
			20	0.2	10	1000	7.1 252	80 0.32	50		

\* PWM input frequency is 1 kHz; models without specifications at 0% PWM duty cycle have zero fan speed at 0%.

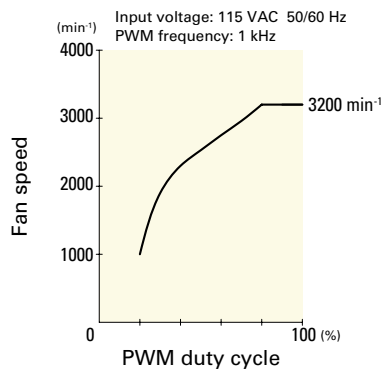
### Airflow - Static Pressure Characteristics / PWM Duty - Speed Characteristics Example

#### 9ADTS11P0G001 With pulse sensor with PWM control function

PWM duty cycle



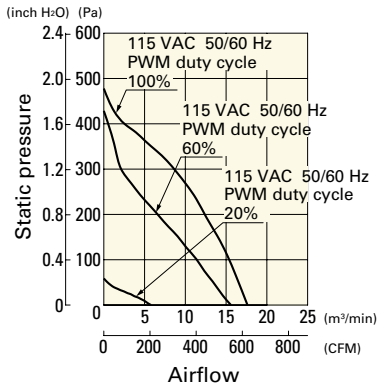
PWM duty - Speed characteristics example



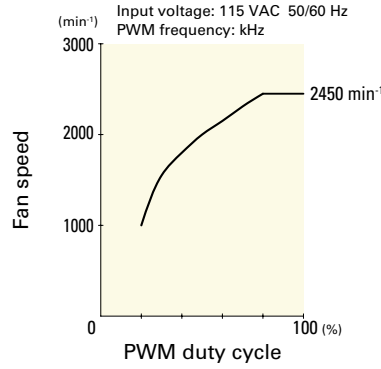
**Airflow - Static Pressure Characteristics / PWM Duty - Speed Characteristics Example**

**9ADTS11P0F001** With pulse sensor with PWM control function

PWM duty cycle

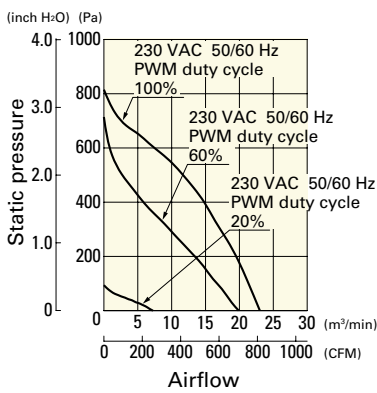


PWM duty - Speed characteristics example

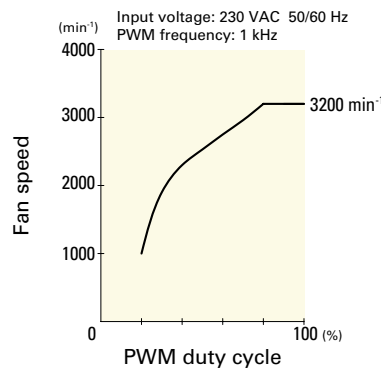


**9ADTS23P0G001** With pulse sensor with PWM control function

PWM duty cycle

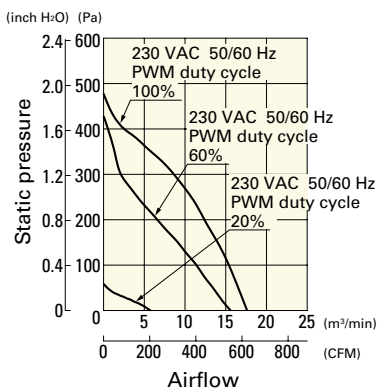


PWM duty - Speed characteristics example

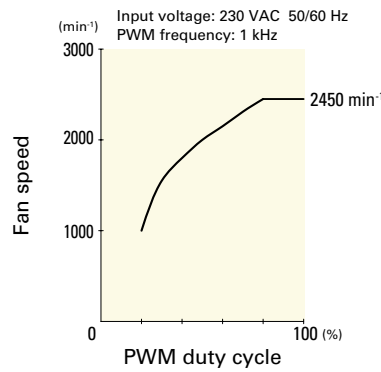


**9ADTS23P0F001** With pulse sensor with PWM control function

PWM duty cycle

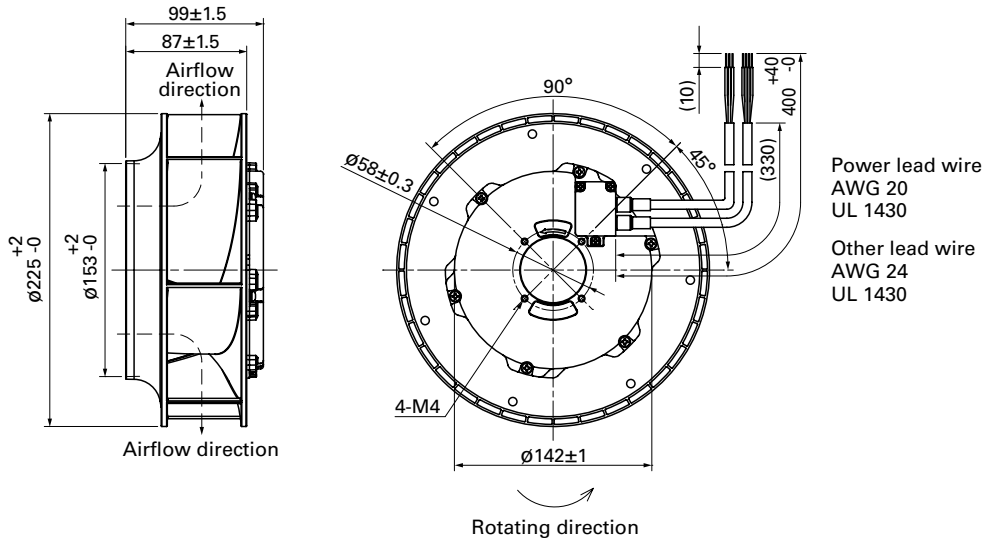


PWM duty - Speed characteristics example

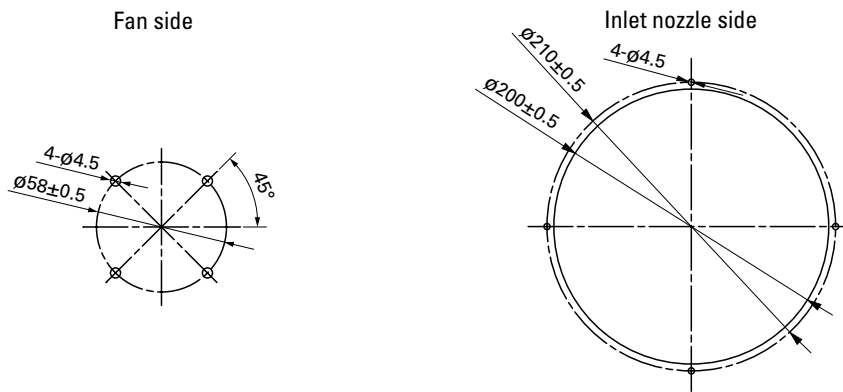


AC  
ACDC Fan φ225 mm

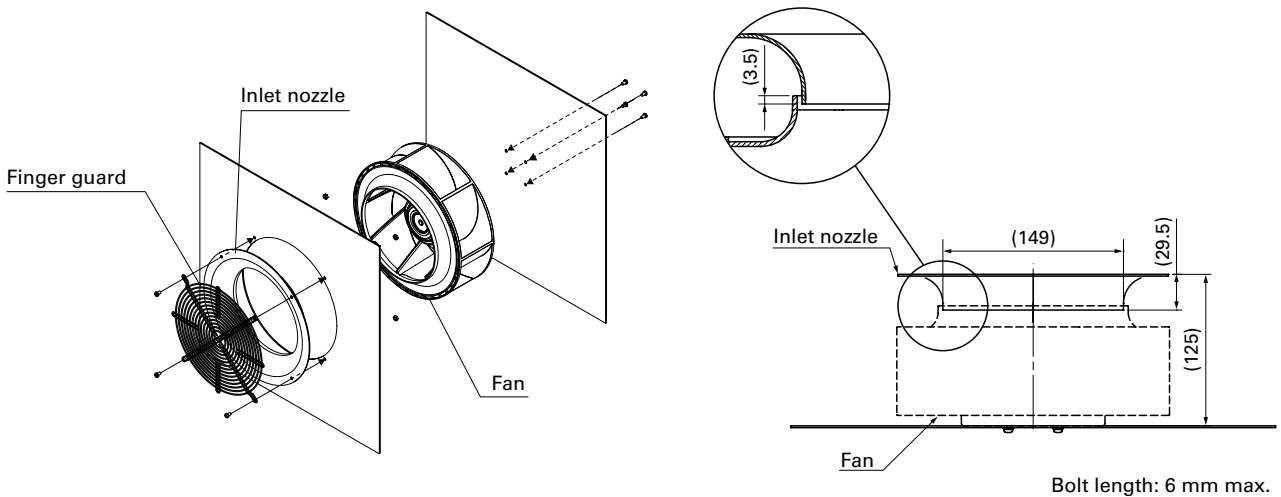
## Dimensions (unit: mm)



## Reference Dimensions of Mounting Holes and Vent Opening (unit: mm)



## Reference Diagram for Mounting



## Options

Finger guards

page: p. 561

Model no.: 109-1137

Inlet nozzle

page: p. 563

Model no.: 109-1134





# ∅225x99 mm

## San Ace 225AD 9ADW1TS type

### General Specifications

- Material ..... Motor case: Aluminum (Black coating), Impeller: Plastic (Flammability: UL 94V-0)
- Expected life ..... See the table below. (L10 life: 90% survival rate for continuous operation in indoor free air at 40°C, rated voltage)
- Motor protection function ..... Locked rotor burnout protection, Reverse polarity protection  
For details, please refer to p. 573.
- Dielectric strength ..... 50/60 Hz, 1500 VAC, for 1 minute (between lead wire conductors and motor case)
- Insulation resistance ..... 10 MΩ or more with a 500 VDC megger (between lead wire conductors and motor case)
- Sound pressure level (SPL) ..... At 1 m away from the air inlet
- Storage temperature ..... -30 to +70°C (Non-condensing)
- Lead wire ..... 

AC power input	L: Orange	N: Gray	Ground	Yellow / Green
+10 VDC output	Red	Black	Sensor	Yellow
			Control	Brown
- Mass ..... 1900 g
- Ingress protection ..... IP56

### Specifications When the optional inlet nozzle (109-1134H) is mounted.

The models listed below **have pulse sensors with PWM control function.**

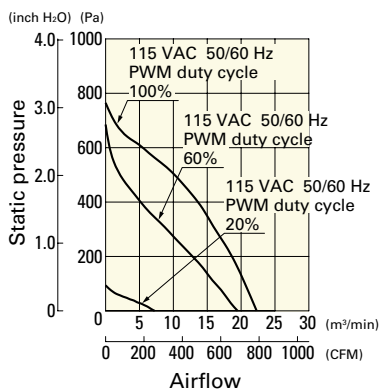
Model no.	Rated voltage [V]	Operating voltage range [V]	PWM duty cycle* [%]	Rated current [A]	Rated input [W]	Rated speed [min <sup>-1</sup> ]	Max. airflow [m <sup>3</sup> /min] [CFM]	Max. static pressure [Pa] [inchH <sub>2</sub> O]	SPL [dB (A)]	Operating temperature [°C]	Expected life [h]
9ADW1TS11P0H001	115	90 to 132	100	2.9	140	3100	22.3 787	760 3.05	73	-20 to +60	40000/40°C
			20	0.3	11	1000	7.1 252	80 0.32	50		
9ADW1TS11P0M001			100	1.4	61	2350	16.9 597	440 1.77	67		
			20	0.3	11	1000	7.1 252	80 0.32	50		
9ADW1TS23P0H001	230	180 to 264	100	1.9	140	3100	22.3 787	760 3.05	73		
			20	0.2	11	1000	7.1 252	80 0.32	50		
9ADW1TS23P0M001			100	0.8	61	2350	16.9 597	440 1.77	67		
			20	0.2	11	1000	7.1 252	80 0.32	50		

\* PWM input frequency is 1 kHz; models without specifications at 0% PWM duty cycle have zero fan speed at 0%.

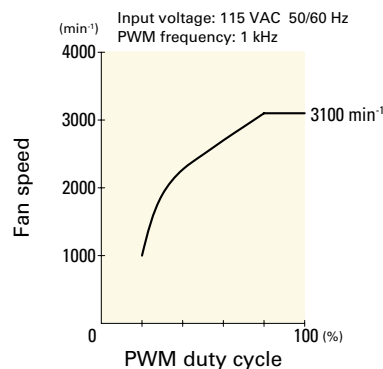
### Airflow - Static Pressure Characteristics / PWM Duty - Speed Characteristics Example

#### 9ADW1TS11P0H001 With pulse sensor with PWM control function

PWM duty cycle



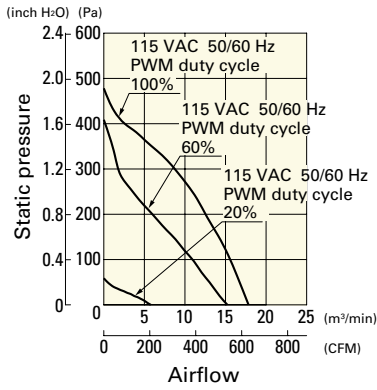
PWM duty - Speed characteristics example



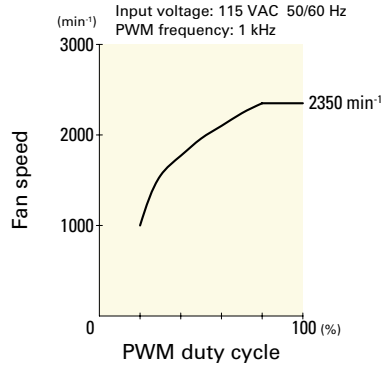
# Airflow - Static Pressure Characteristics / PWM Duty - Speed Characteristics Example

**9ADW1TS11P0M001** With pulse sensor with PWM control function

PWM duty cycle

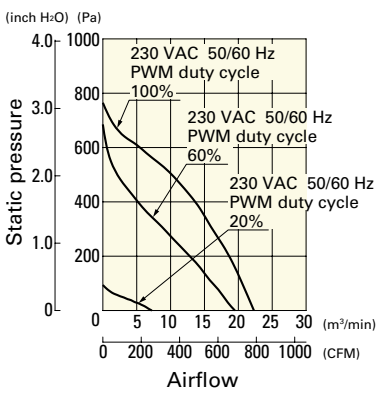


PWM duty - Speed characteristics example

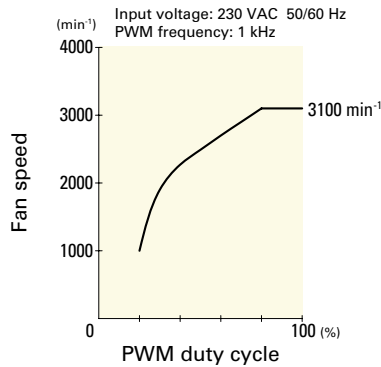


**9ADW1TS23P0H001** With pulse sensor with PWM control function

PWM duty cycle



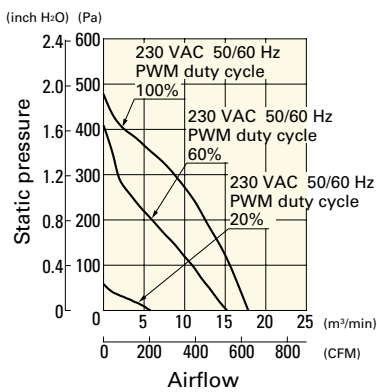
PWM duty - Speed characteristics example



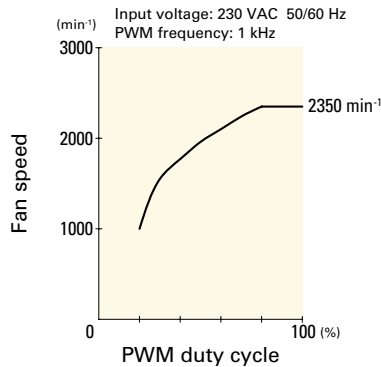
ACDC Fan φ225 mm

**9ADW1TS23P0M001** With pulse sensor with PWM control function

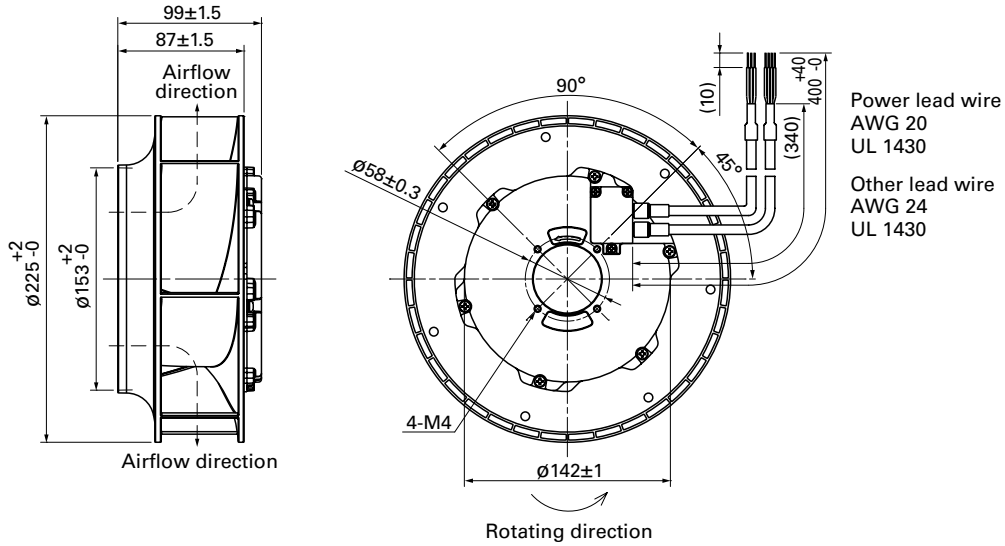
PWM duty cycle



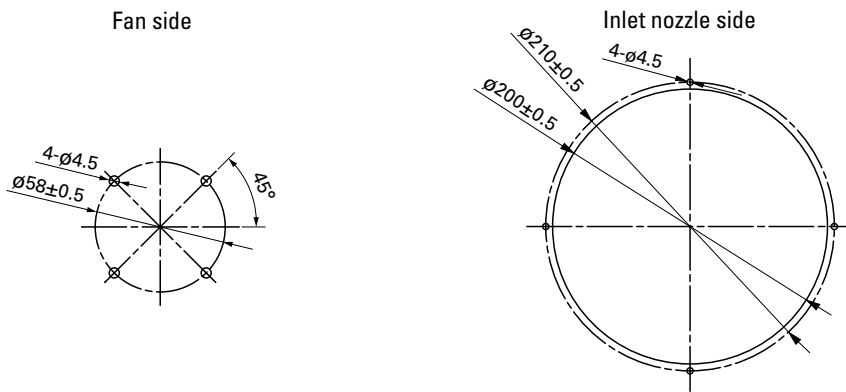
PWM duty - Speed characteristics example



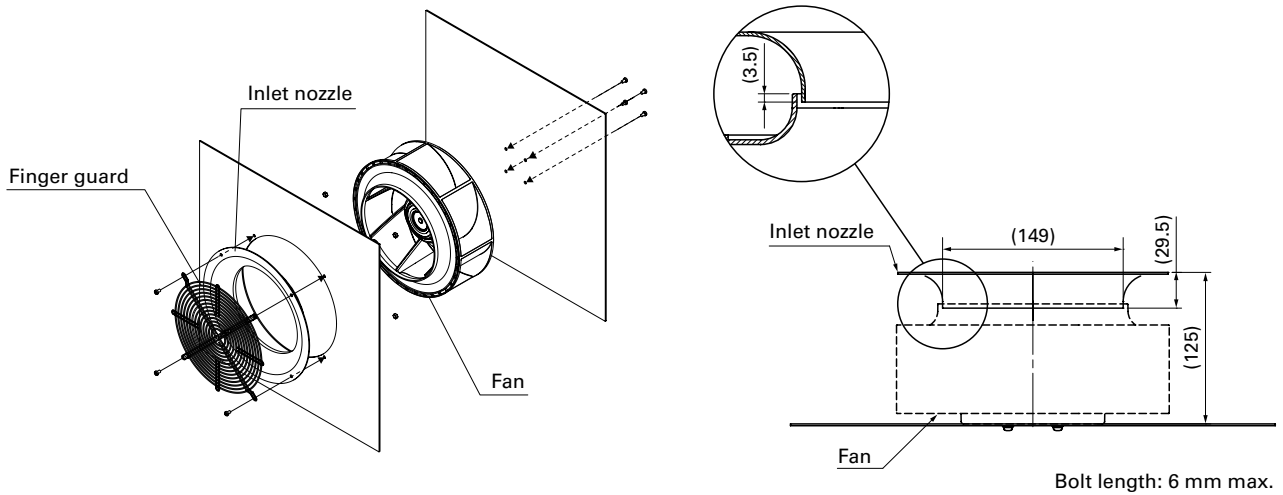
**Dimensions (unit: mm)**



**Reference Dimensions of Mounting Holes and Vent Opening (unit: mm)**



**Reference Diagram for Mounting**



**Options**

**Finger guards** page: p. 561  
Model no.: 109-1137H

**Inlet nozzle** page: p. 563  
Model no.: 109-1134H



# AC Fan

The cooling fan operates at 100 to 230 VAC.



# 60×60×28 mm

San Ace 60

## General Specifications

- Material ..... Frame: Aluminum, Impeller: Plastic (Flammability: UL 94V-1)
- Expected life ..... See the table below. (L10 life: 90% survival rate for continuous operation in free air at 60°C, rated voltage) Expected life at 40°C is for reference only.
- Motor structure ..... Shaded coil motor
- Motor protection function ..... Locked rotor burnout protection, Reverse polarity protection  
For details, please refer to p. 573.
- Dielectric strength ..... 50/60 Hz, 1500 VAC, for 1 minute (between lead wire conductors and frame)
- Insulation resistance ..... 10 MΩ or more with a 500 VDC megger
- Sound pressure level (SPL) ..... At 1 m away from the air inlet
- Operating voltage range ..... Voltage of each model ±10%
- Storage temperature ..... -30 to +70°C (Non-condensing)
- Lead wire ..... Black, 2 pcs
- Mass ..... 120 g

## Specifications

Model no.	Rated voltage [V]	Frequency [Hz]	Input [W]	Current [A]	Locked rotor current [A]	Rated speed [min <sup>-1</sup> ]	Max. airflow [m <sup>3</sup> /min] [CFM]	Max. static pressure [Pa] [inchH <sub>2</sub> O]	SPL [dB (A)]	Operating temperature [°C]	Expected life [h]
109-180	100	50/60	5/4	0.06/0.05	0.07/0.06	2250/2700	0.27/0.33 9.5/11.7	11.8/18.6 0.047/0.075	24/26	-30 to +70	25000/60°C (56000/40°C)
109-183	115				0.06/0.05						

These are Short LeadTime Service applicable models. Contact your point of sale for stock availability. For more information on the service, see p. 626.

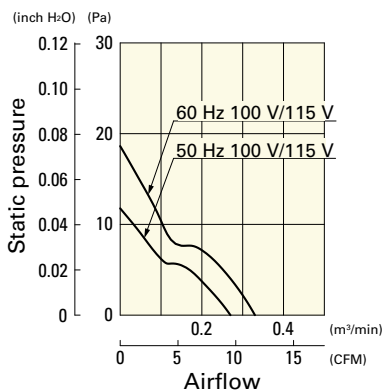
## Set Models

Fan, finger guard, plug cord, screws, etc. can be purchased in one package. For details, please refer to p. 627.

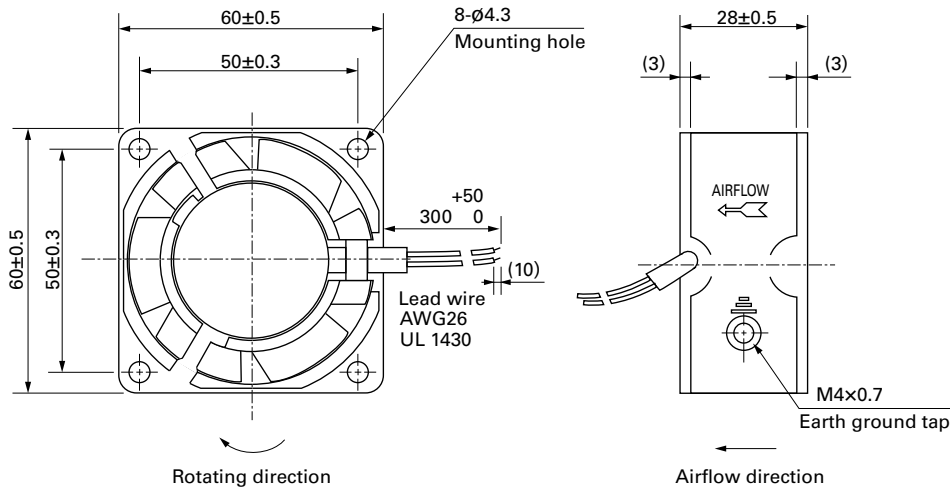
Order no.	Set items					
	Fan	Voltage	Low-speed sensor	Plug cord	Finger guards	Mounting screws
ST1-109-180	109-180	100 V		Plug cord is not included because of the exposed-lead structure.	109-139E	M4×40 mm (4 screws)
ST1-109-183	109-183	115 V			109-139E	

## Airflow - Static Pressure Characteristics

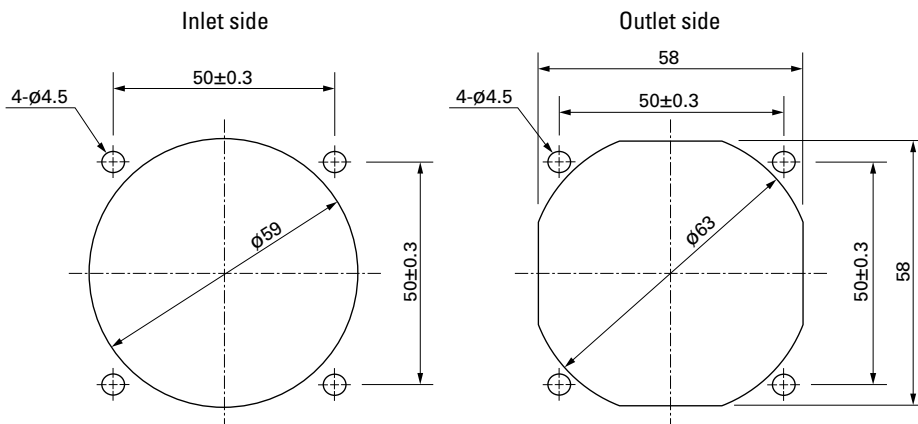
### 109-180, 109-183



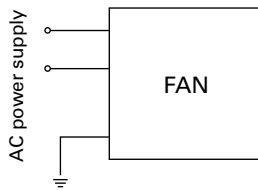
## Dimensions (unit: mm)



## Reference Dimensions of Mounting Holes and Vent Opening (unit: mm)



## Wiring Diagram



## Options

### Finger guards

page: p. 558

Model no.: 109-139E, 109-139H

### Resin finger guards

page: p. 565

Model no.: 109-1003G

### Resin filter kits

page: p. 566

Model no.: 109-1003F13 (13PPI), 109-1003F20 (20PPI),  
109-1003F30 (30PPI), 109-1003F40 (40PPI)



# 60×60×38 mm

San Ace 60

## General Specifications

- Material ..... Frame: Aluminum, Impeller: Plastic (Flammability: UL 94V-1)
- Expected life ..... See the table below. (L10 life: 90% survival rate for continuous operation in free air at 60°C, rated voltage) Expected life at 40°C is for reference only.
- Motor structure ..... Shaded coil motor
- Motor protection function ..... Locked rotor burnout protection, Reverse polarity protection  
For details, please refer to p. 573.
- Dielectric strength ..... 50/60 Hz, 1500 VAC, for 1 minute (between lead wire conductors and frame)
- Insulation resistance ..... 10 MΩ or more with a 500 VDC megger
- Sound pressure level (SPL) ..... At 1 m away from the air inlet
- Operating voltage range ..... Voltage of each model ±10%
- Storage temperature ..... -30 to +70°C (Non-condensing)
- Lead wire ..... Black, 2 pcs
- Mass ..... 170 g

## Specifications

Model no.	Rated voltage [V]	Frequency [Hz]	Input [W]	Current [A]	Locked rotor current [A]	Rated speed [min <sup>-1</sup> ]	Max. airflow [m <sup>3</sup> /min] [CFM]	Max. static pressure [Pa] [inchH <sub>2</sub> O]	SPL [dB (A)]	Operating temperature [°C]	Expected life [h]
<b>109-130</b>	100	50/60	6/5	0.08/0.07	0.08/0.07	2600/3150	0.33/0.4 11.7/14.1	16.3/23.3 0.065/0.094	28/30	-30 to +60	25000/60°C (56000/40°C)
<b>109-133</b>	115			0.07/0.06	0.07/0.06						

These are Short LeadTime Service applicable models. Contact your point of sale for stock availability. For more information on the service, see p. 626.

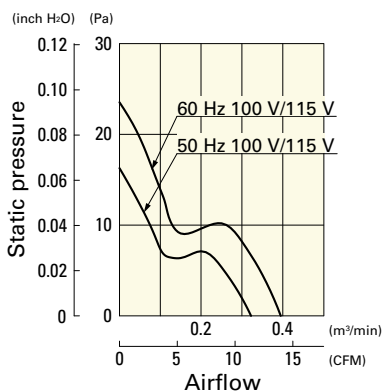
## Set Models

Fan, finger guard, plug cord, screws, etc. can be purchased in one package. For details, please refer to p. 627.

Order no.	Set items					
	Fan	Voltage	Low-speed sensor	Plug cord	Finger guards	Mounting screws
<b>ST1-109-130</b>	109-130	100 V		Plug cord is not included because of the exposed-lead structure.	109-139E	M4×55 mm (4 screws)
<b>ST1-109-133</b>	109-133	115 V			109-139E	

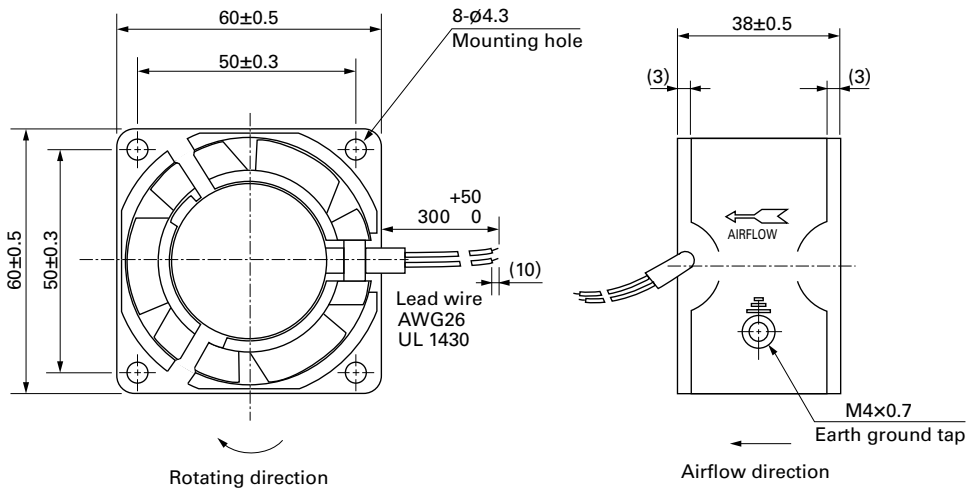
## Airflow - Static Pressure Characteristics

### 109-130, 109-133

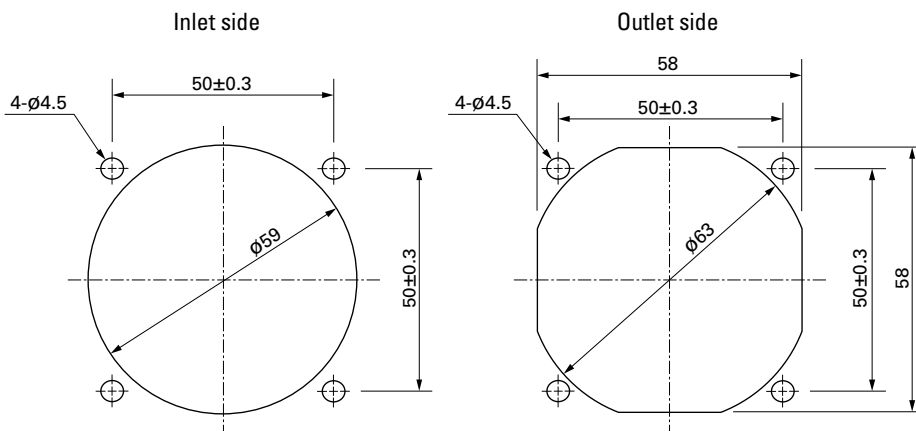




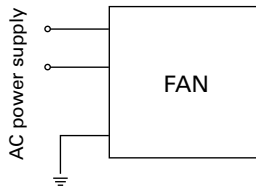
## Dimensions (unit: mm)



## Reference Dimensions of Mounting Holes and Vent Opening (unit: mm)



## Wiring Diagram



## Options

### Finger guards

page: p. 558

Model no.: 109-139E, 109-139H

### Resin finger guards

page: p. 565

Model no.: 109-1003G

### Resin filter kits

page: p. 566

Model no.: 109-1003F13 (13PPI), 109-1003F20 (20PPI),  
109-1003F30 (30PPI), 109-1003F40 (40PPI)



# 80×80×20 mm

San Ace 80

## General Specifications

- Material ..... Frame: Aluminum, Impeller: Plastic (Flammability: UL 94V-1)
- Expected life ..... See the table below. (L10 life: 90% survival rate for continuous operation in free air at 60°C, rated voltage) Expected life at 40°C is for reference only.
- Motor structure ..... Shaded coil motor
- Motor protection function ..... Locked rotor burnout protection, Reverse polarity protection  
For details, please refer to p. 573.
- Dielectric strength ..... 50/60 Hz, 1500 VAC, for 1 minute (between lead wire conductors and frame)
- Insulation resistance ..... 10 MΩ or more with a 500 VDC megger
- Sound pressure level (SPL) ..... At 1 m away from the air inlet
- Operating voltage range ..... Voltage of each model ±10%
- Storage temperature ..... -30 to +70°C (Non-condensing)
- Lead wire ..... Black, 2 pcs
- Mass ..... 180 g

## Specifications

Model no.	Rated voltage [V]	Frequency [Hz]	Input [W]	Current [A]	Locked rotor current [A]	Rated speed [min <sup>-1</sup> ]	Max. airflow [m <sup>3</sup> /min] [CFM]	Max. static pressure [Pa] [inchH <sub>2</sub> O]	SPL [dB (A)]	Operating temperature [°C]	Expected life [h]
<b>109-210</b>	100	50/60	6/5	0.07/0.06	0.07/0.06	2500/3000	0.44/0.53 15.5/18.7	23.5/31.4 0.094/0.126	26/31	-30 to +60	25000/60°C (56000/40°C)
<b>109-213</b>	115			0.06/0.05	0.06/0.05						

These are Short LeadTime Service applicable models. Contact your point of sale for stock availability. For more information on the service, see p. 626.

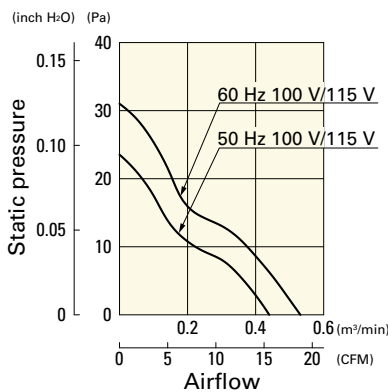
## Set Models

Fan, finger guard, plug cord, screws, etc. can be purchased in one package. For details, please refer to p. 627.

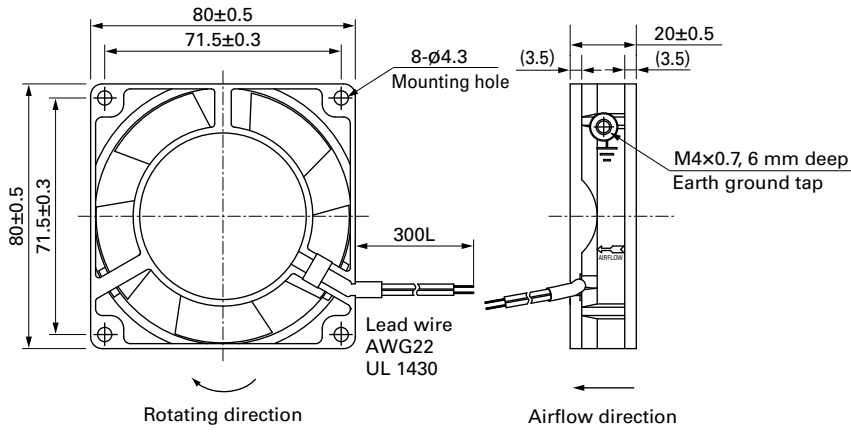
Order no.	Set items					
	Fan	Voltage	Low-speed sensor	Plug cord	Finger guards	Mounting screws
<b>ST1-109-210</b>	109-210	100 V		Plug cord is not included because of the exposed-lead structure.	109-049E	M4×40 mm (4 screws)
<b>ST1-109-213</b>	109-213	115 V			109-049E	

## Airflow - Static Pressure Characteristics

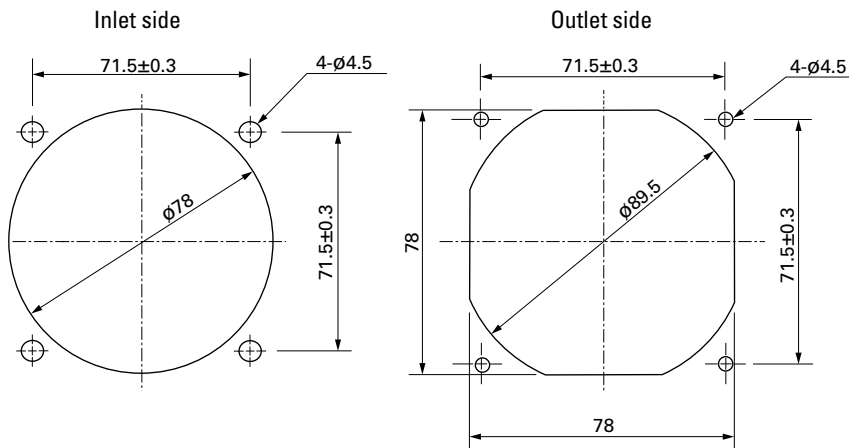
### 109-210, 109-213



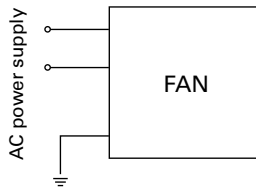
## Dimensions (unit: mm)



## Reference Dimensions of Mounting Holes and Vent Opening (unit: mm)



## Wiring Diagram



## Options

### Finger guards

page: p. 558

Model no.: 109-049E, 109-049H, 109-049C

### Resin finger guards

page: p. 565

Model no.: 109-1002G

### Resin filter kits

page: p. 566

Model no.: 109-1002F13 (13PPI), 109-1002F20 (20PPI),  
109-1002F30 (30PPI), 109-1002F40 (40PPI)



# 80×80×25 mm

San Ace 80

## General Specifications

- Material ..... Frame: Aluminum, Impeller: Plastic (Flammability: UL 94V-1)
- Expected life ..... See the table below. (L10 life: 90% survival rate for continuous operation in free air at 60°C, rated voltage) Expected life at 40°C is for reference only.
- Motor structure ..... Shaded coil motor
- Motor protection function ..... Locked rotor burnout protection, Reverse polarity protection  
For details, please refer to p. 573.
- Dielectric strength ..... 50/60 Hz, 1500 VAC, for 1 minute (between input terminal and frame)
- Insulation resistance ..... 10 MΩ or more with a 500 VDC megger
- Sound pressure level (SPL) ..... At 1 m away from the air inlet
- Operating voltage range ..... Voltage of each model ±10%
- Storage temperature ..... -30 to +70°C (Non-condensing)
- Mass ..... 270 g

## Specifications

Model no.	Rated voltage [V]	Frequency [Hz]	Input [W]	Current [A]	Locked rotor current [A]	Rated speed [min <sup>-1</sup> ]	Max. airflow [m <sup>3</sup> /min] [CFM]	Max. static pressure [Pa] [inchH <sub>2</sub> O]	SPL [dB (A)]	Operating temperature [°C]	Expected life [h]
109S050	100	50/60	9/7	0.12/0.1	0.13/0.11	2650/3100	0.63/0.76 22.3/26.9	27.5/38.3 0.11 /0.154	30/33	-30 to +60	25000/60°C (56000/40°C)
109S053	115			0.1 /0.08	0.11/0.09						
109S051	200			0.06/0.05	0.06/0.05						
109S054	230			0.05/0.04	0.05/0.04						
109S030	100			0.12/0.1	0.13/0.11	2350/2700	0.55/0.63 19.4/22.3	21.6/28.4 0.087/0.114	28/30		
109S033	115			0.1 /0.08	0.11/0.09						
109S031	200			0.06/0.05	0.06/0.05						
109S034	230			0.05/0.04	0.05/0.04						

These are Short LeadTime Service applicable models. Contact your point of sale for stock availability. For more information on the service, see p. 626.

## Set Models

Fan, finger guard, plug cord, screws, etc. can be purchased in one package. For details, please refer to p. 627.

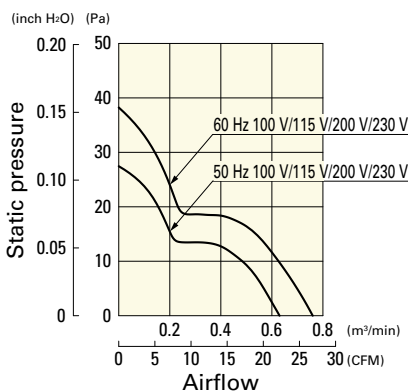
Order no.	Set items					
	Fan	Voltage	Low-speed sensor	Plug cord*	Finger guards	Mounting screws
ST1-109S050	109S050	100 V		489-016-L10	109-049E	M4×40 mm (4 screws)**
ST1-109S053	109S053	115 V		489-016-L10	109-049E	
ST1-109S051	109S051	200 V		489-016-L10	109-049E	
ST1-109S054	109S054	230 V		489-016-L10	109-049E	
ST1-109S030	109S030	100 V		489-016-L10	109-049E	
ST1-109S033	109S033	115 V		489-016-L10	109-049E	
ST1-109S031	109S031	200 V		489-016-L10	109-049E	
ST1-109S034	109S034	230 V		489-016-L10	109-049E	

\* PSE compatible.

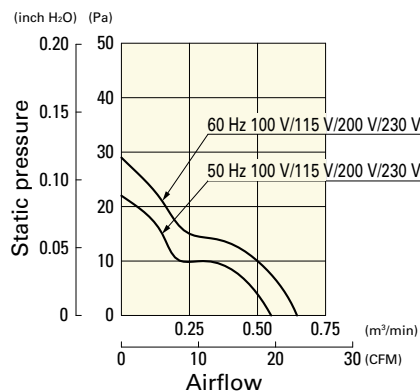
\*\* Though these are 2-hole or 3-hole frame mount types, 4 screws are included for extra.

## Airflow - Static Pressure Characteristics

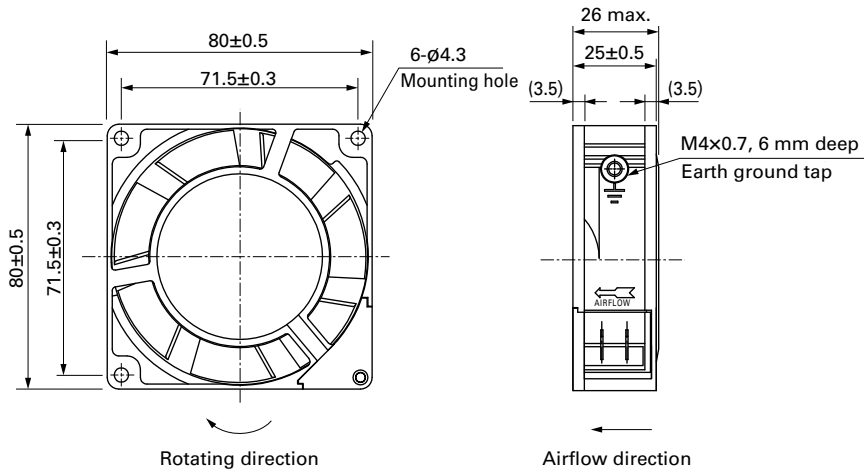
109S050, 109S053, 109S051, 109S054



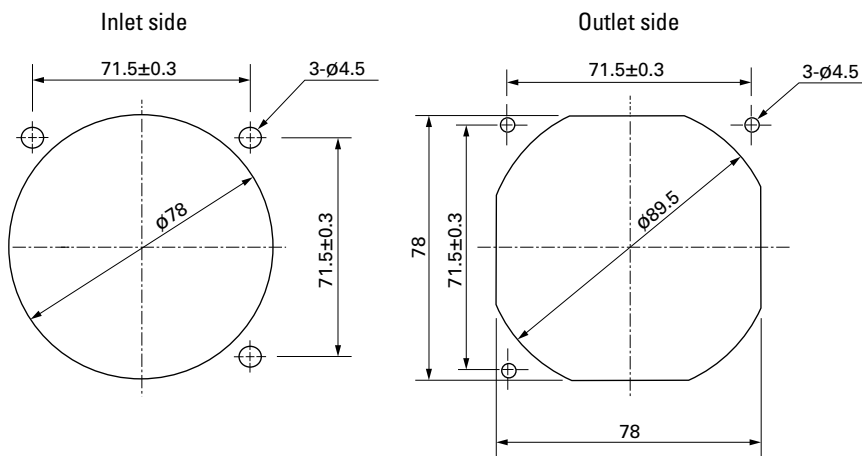
109S030, 109S033, 109S031, 109S034



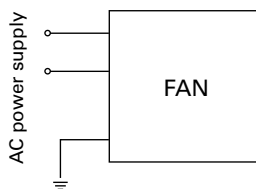
## Dimensions (unit: mm)



## Reference Dimensions of Mounting Holes and Vent Opening (unit: mm)



## Wiring Diagram



## Options

### Finger guards

page: p. 558

Model no.: 109-049E, 109-049H, 109-049C

### Resin finger guards

page: p. 565

Model no.: 109-1002G

### Resin filter kits

page: p. 566

Model no.: 109-1002F13 (13PPI), 109-1002F20 (20PPI),  
109-1002F30 (30PPI), 109-1002F40 (40PPI)

### Plug cord

page: pp. 568 to 569

Model no.: 489-016-L10, 489-016-L21, 489-047-L10,  
489-047-L21



# 80×80×38 mm

San Ace 80

## General Specifications

- Material ..... Frame: Aluminum, Impeller: Plastic (Flammability: UL 94V-1)
- Expected life ..... See the table below. (L10 life: 90% survival rate for continuous operation in free air at 60°C, rated voltage)  
Expected life at 40°C is for reference only.
- Motor structure ..... Shaded coil motor
- Motor protection function ..... Locked rotor burnout protection, Reverse polarity protection  
For details, please refer to p. 573.
- Dielectric strength ..... 50/60 Hz, 1500 VAC, for 1 minute (between input terminal and frame)
- Insulation resistance ..... 10 MΩ or more with a 500 VDC megger
- Sound pressure level (SPL) ..... At 1 m away from the air inlet
- Operating voltage range ..... Voltage of each model ±10%
- Storage temperature ..... -30 to +70°C (Non-condensing)
- Mass ..... 400 g

## Specifications

Model no.	Rated voltage [V]	Frequency [Hz]	Input [W]	Current [A]	Locked rotor current [A]	Rated speed [min <sup>-1</sup> ]	Max. airflow [m <sup>3</sup> /min] [CFM]	Max. static pressure [Pa] [inchH <sub>2</sub> O]	SPL [dB (A)]	Operating temperature [°C]	Expected life [h]
109-150	100	50/60	9/8	0.13/0.11	0.17/0.15	2700/3150	0.9/1.05 31.8/37.1	31.4/44.1 0.126/0.177	35/39	-30 to +60	25000/60°C (56000/40°C)
109-153	115			0.11/0.1	0.14/0.12						
109-151	200			0.07/0.06	0.09/0.08						
109-154	230			0.06/0.05	0.08/0.07						

These are Short LeadTime Service applicable models. Contact your point of sale for stock availability. For more information on the service, see p. 626.

## Set Models

Fan, finger guard, plug cord, screws, etc. can be purchased in one package. For details, please refer to p. 627.

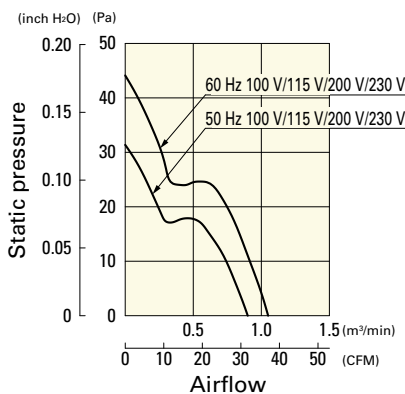
Order no.	Set items					
	Fan	Voltage	Low-speed sensor	Plug cord*	Finger guards	Mounting screws
ST1-109-150	109-150	100 V		489-016-L10	109-049E	M4×55 mm (4 screws)**
ST1-109-153	109-153	115 V		489-016-L10	109-049E	
ST1-109-151	109-151	200 V		489-016-L10	109-049E	
ST1-109-154	109-154	230 V		489-016-L10	109-049E	

\* PSE compatible.

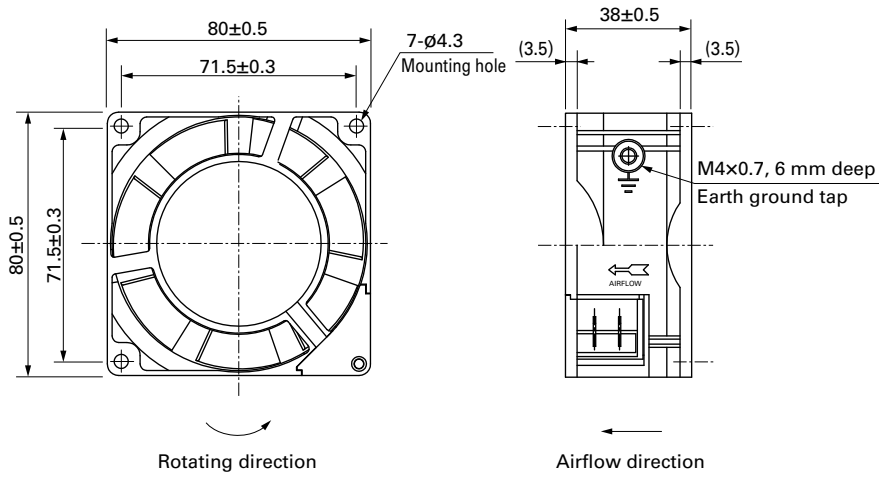
\*\* Though these are 2-hole or 3-hole frame mount types, 4 screws are included for extra.

## Airflow - Static Pressure Characteristics

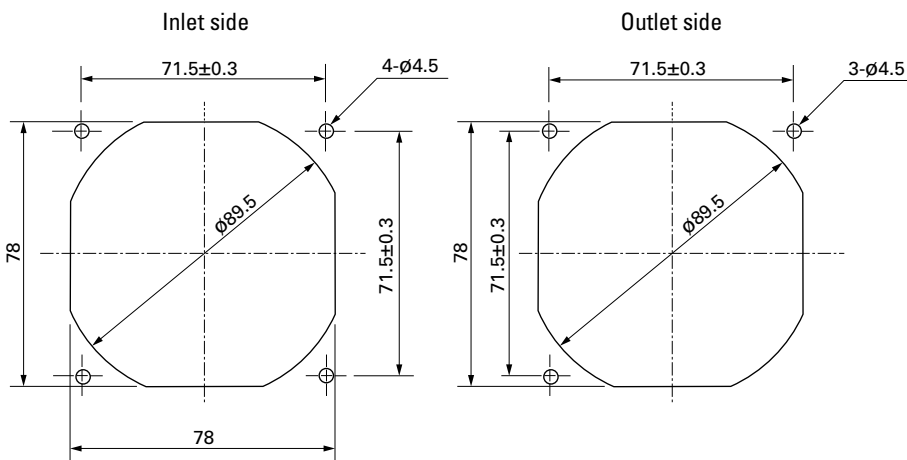
### 109-150, 109-153, 109-151, 109-154



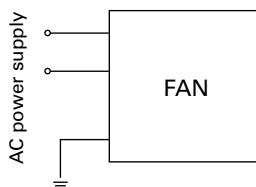
## Dimensions (unit: mm)



## Reference Dimensions of Mounting Holes and Vent Opening (unit: mm)



## Wiring Diagram



## Options

### Finger guards

page: p. 558

Model no.: 109-049E, 109-049H, 109-049C

### Resin finger guards

page: p. 565

Model no.: 109-1002G

### Resin filter kits

page: p. 566

Model no.: 109-1002F13 (13PPI), 109-1002F20 (20PPI),  
109-1002F30 (30PPI), 109-1002F40 (40PPI)

### Plug cord

page: pp. 568 to 569

Model no.: 489-016-L10, 489-016-L21, 489-047-L10,  
489-047-L21



# 80×80×42 mm

San Ace 80

## General Specifications

- Material ..... Frame: Aluminum (Black coating), Impeller: Plastic (Flammability: UL 94V-1)
- Expected life ..... See the table below. (L10 life: 90% survival rate for continuous operation in free air at 60°C, rated voltage) Expected life at 40°C is for reference only.
- Motor structure ..... Shaded coil motor
- Motor protection function ..... Locked rotor burnout protection, Reverse polarity protection  
For details, please refer to p. 573.
- Dielectric strength ..... 50/60 Hz, 1500 VAC, for 1 minute (between input terminal and frame)
- Insulation resistance ..... 10 MΩ or more with a 500 VDC megger
- Sound pressure level (SPL) ..... At 1 m away from the air inlet
- Operating voltage range ..... Voltage of each model ±10%
- Storage temperature ..... -30 to +70°C (Non-condensing)
- Mass ..... 410 g

## Specifications

Model no.	Rated voltage [V]	Frequency [Hz]	Input [W]	Current [A]	Locked rotor current [A]	Rated speed [min <sup>-1</sup> ]	Max. airflow [m <sup>3</sup> /min] [CFM]	Max. static pressure [Pa] [inchH <sub>2</sub> O]	SPL [dB (A)]	Operating temperature [°C]	Expected life [h]
109-040UL	100	50/60	10/9	0.13/0.11	0.16/0.14	2650/3100	0.85/1.0 30.0/35.3	24.5/35.3 0.098/0.142	40/44	-30 to +60	25000/60°C (56000/40°C)
109-043UL	115			0.11/0.1	0.14/0.12						
109-041UL	200			0.07/0.06	0.08/0.07						
109-044UL	230			0.06/0.05	0.07/0.06						
109-047UL*	100			0.05/0.05	0.05/0.05						
109-033UL*	115			0.04/0.04	0.04/0.04						
			4/3.5			1500/1500	0.43/0.43 15.2/15.2	8.8/ 8.8 0.035/0.035	24/24		

\* These are low-speed models.

These are Short LeadTime Service applicable models. Contact your point of sale for stock availability. For more information on the service, see p. 626.

AC Fan 80 mm sq.

## Set Models

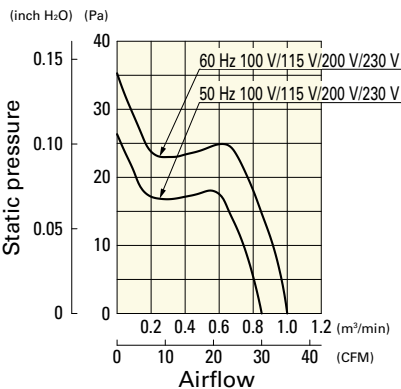
Fan, finger guard, plug cord, screws, etc. can be purchased in one package. For details, please refer to p. 627.

Order no.	Set items					
	Fan	Voltage	Low-speed sensor	Plug cord*	Finger guards	Mounting screws
ST1-109-040UL	109-040UL	100 V		489-008-L10	109-049E	M4×55 mm (4 screws)
ST1-109-043UL	109-043UL	115 V		489-008-L10	109-049E	
ST1-109-041UL	109-041UL	200 V		489-008-L10	109-049E	
ST1-109-044UL	109-044UL	230 V		489-008-L10	109-049E	
ST1-109-047UL	109-047UL	100 V		489-008-L10	109-049E	
ST1-109-033UL	109-033UL	115 V		489-008-L10	109-049E	

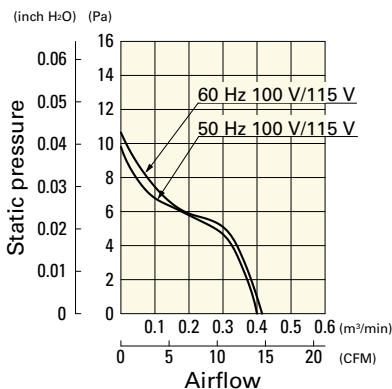
\* PSE compatible.

## Airflow - Static Pressure Characteristics

109-040UL, 109-043UL, 109-041UL, 109-044UL

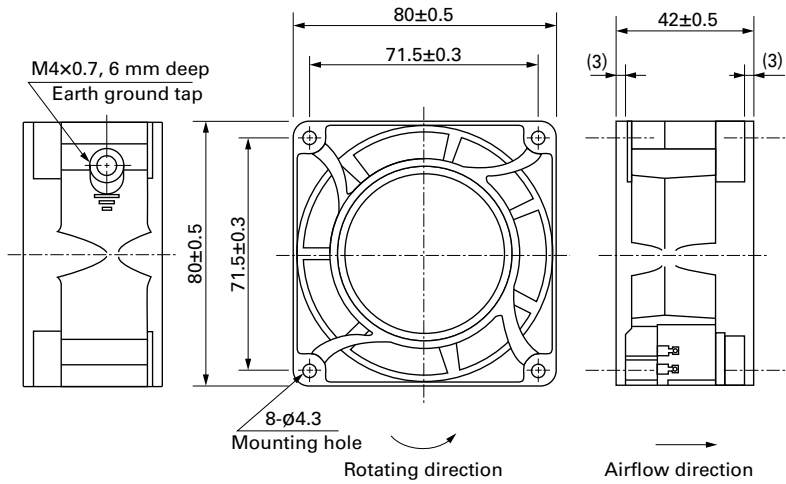


109-047UL, 109-033UL

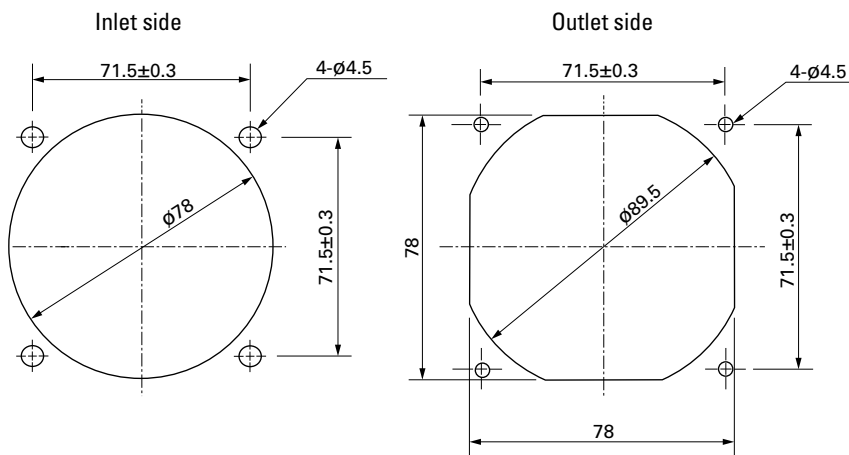




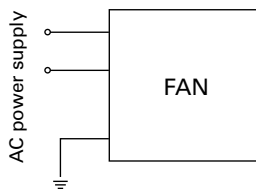
## Dimensions (unit: mm)



## Reference Dimensions of Mounting Holes and Vent Opening (unit: mm)



## Wiring Diagram



## Options

### Finger guards

page: p. 558

Model no.: 109-049E, 109-049H, 109-049C

### Resin finger guards

page: p. 565

Model no.: 109-1002G

### Resin filter kits

page: p. 566

Model no.: 109-1002F13 (13PPI), 109-1002F20 (20PPI),  
109-1002F30 (30PPI), 109-1002F40 (40PPI)

### Plug cord

page: p. 568

Model no.: 489-008-L10, 489-008-L21, 489-008-L35



# 92×92×25 mm

**San Ace 92**      Only standard fans (without sensors) have acquired CSA certification.

## General Specifications

- Material ..... Frame: Aluminum, Impeller: Plastic (Flammability: UL 94V-1)
- Expected life ..... See the table below. (L10 life: 90% survival rate for continuous operation in free air at 60°C, rated voltage)  
Expected life at 40°C is for reference only.
- Motor structure ..... Shaded coil motor
- Motor protection function ..... Locked rotor burnout protection, Reverse polarity protection  
For details, please refer to p. 573.
- Dielectric strength ..... 50/60 Hz, 1500 VAC, for 1 minute (between input terminal and frame)
- Dielectric strength (with sensor) ..... 50/60 Hz 1500 VAC 1 minute (between AC input terminal and frame)  
50/60 Hz 1000 VAC 1 minute (between lead wire conductors and frame)
- Insulation resistance ..... 10 MΩ or more with a 500 VDC megger
- Sound pressure level (SPL) ..... At 1 m away from the air inlet
- Operating voltage range ..... Voltage of each model ±10%
- Storage temperature ..... -30 to +70°C (Non-condensing)
- Sensor-Purpose lead wire ..... ⊕Brown ⊖Black (Sensor) Yellow
- Mass ..... 290 g/310 g (with Sensor)

## Specifications

### Standard

Model no.	Rated voltage [V]	Frequency [Hz]	Input [W]	Current [A]	Locked rotor current [A]	Rated speed [min <sup>-1</sup> ]	Max. airflow [m <sup>3</sup> /min] [CFM]	Max. static pressure [Pa] [inchH <sub>2</sub> O]	SPL [dB (A)]	Operating temperature [°C]	Expected life [h]
109S091	100	50/60	8/7	0.1 /0.09	0.13/0.12	2700/3100	0.95/1.1 33.6/38.9	39.2/49.0 0.157/0.197	35/38	-30 to +60	25000/60°C (56000/40°C)
109S093	115			0.09/0.08	0.11/0.1						
109S092	200		11/10	0.07/0.06	0.08/0.08						
109S094	230		10/9	0.06/0.05	0.07/0.07						
109S095	100		8/7	0.1 /0.09	0.11/0.1	2400/2800	0.84/0.98 29.7/34.6	31.4/40.2 0.126/0.161	32/35		
109S096*	100		7/6	0.09/0.08	0.09/0.08	1500/1700	0.55/0.65 19.4/23	12.5/16.3 0.05 /0.065	24/27		
109S193*	115			0.08/0.07	0.08/0.07						
109S192*	200		8/7	0.06/0.05	0.06/0.05	1500/1700	0.55/0.65 19.4/23	12.5/16.3 0.05 /0.065	24/27		
109S194*	230			0.05/0.04	0.05/0.04						

\*These are low-speed models.

### with Sensor

For sensor specifications, please refer to p. 576. Sensor specification differs depending on the fan's speed specification.

For a 5 V sensor power supply (ITEM-20), please append "-20" to the end of model number. E.g. 109S491-20

For a 12 V sensor power supply (ITEM-30), please append "-30" to the end of model number. E.g. 109S491-30

Model no.	Rated voltage [V]	Frequency [Hz]	Input [W]	Current [A]	Locked rotor current [A]	Rated speed [min <sup>-1</sup> ]	Max. airflow [m <sup>3</sup> /min] [CFM]	Max. static pressure [Pa] [inchH <sub>2</sub> O]	SPL [dB (A)]	Operating temperature [°C]	Expected life [h]
109S491	100	50/60	8/7	0.1 /0.09	0.13/0.12	2700/3100	0.95/1.1 33.6/38.9	39.2/49.0 0.157/0.197	35/38	-10 to +60	25000/60°C (56000/40°C)
109S493	115			0.09/0.08	0.11/0.1						
109S492	200		11/10	0.07/0.06	0.08/0.08						
109S494	230		10/9	0.06/0.05	0.07/0.07						
109S495	100		8/7	0.1 /0.09	0.11/0.1	2400/2800	0.84/0.98 29.7/34.6	31.4/40.2 0.126/0.161	32/35		
109S496*			7/6	0.09/0.08	0.09/0.08	1500/1700	0.55/0.65 19.4/23	12.5/16.3 0.05 /0.065	24/27		

\*These are low-speed models.

These are Short LeadTime Service applicable models. Contact your point of sale for stock availability. For more information on the service, see p. 626.

For the San Ace 92AD 9AD type 92×92×38 mm fan, please refer to p. 494.

This fan works while internally converting AC power into DC power, providing the superior performance of a DC fan with the flexibility of AC input.

## Set Models

Fan, finger guard, plug cord, screws, etc. can be purchased in one package. For details, please refer to p. 627.

Order no.	Set items					
	Fan	Voltage	Low-speed sensor	Plug cord*	Finger guards	Mounting screws
ST1-109S091	109S091	100 V		489-016-L10	109-099E	M3×40 mm (4 screws)**
ST1-109S093	109S093	115 V		489-016-L10	109-099E	
ST1-109S092	109S092	200 V		489-016-L10	109-099E	
ST1-109S094	109S094	230 V		489-016-L10	109-099E	
ST1-109S095	109S095	100 V		489-016-L10	109-099E	
ST1-109S096	109S096	100 V		489-016-L10	109-099E	
ST1-109S193	109S193	115 V		489-016-L10	109-099E	
ST1-109S192	109S192	200 V		489-016-L10	109-099E	
ST1-109S194	109S194	230 V		489-016-L10	109-099E	
ST1-109S491-20	109S491-20	100 V	○ (5 V)	489-016-L10	109-099E	
ST1-109S491-30	109S491-30		○ (12 V)	489-016-L10	109-099E	
ST1-109S493-20	109S493-20	115 V	○ (5 V)	489-016-L10	109-099E	
ST1-109S493-30	109S493-30		○ (12 V)	489-016-L10	109-099E	
ST1-109S492-20	109S492-20	200 V	○ (5 V)	489-016-L10	109-099E	
ST1-109S492-30	109S492-30		○ (12 V)	489-016-L10	109-099E	
ST1-109S494-20	109S494-20	230 V	○ (5 V)	489-016-L10	109-099E	
ST1-109S494-30	109S494-30		○ (12 V)	489-016-L10	109-099E	
ST1-109S495-20	109S495-20	100 V	○ (5 V)	489-016-L10	109-099E	
ST1-109S495-30	109S495-30		○ (12 V)	489-016-L10	109-099E	
ST1-109S496-20	109S496-20		○ (5 V)	489-016-L10	109-099E	
ST1-109S496-30	109S496-30		○ (12 V)	489-016-L10	109-099E	

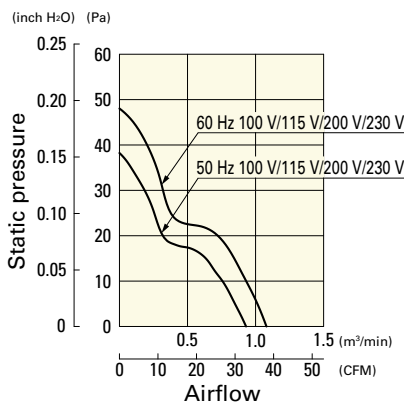
\* PSE compatible.

\*\* Though these are 2-hole or 3-hole frame mount types, 4 screws are included for extra.

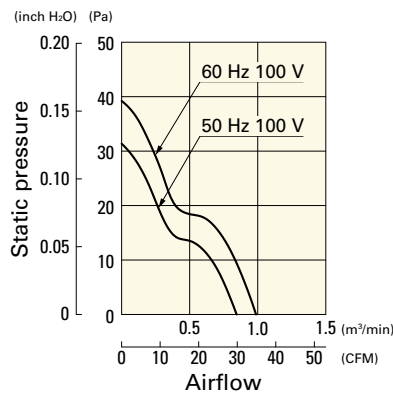
## Airflow - Static Pressure Characteristics

### Standard

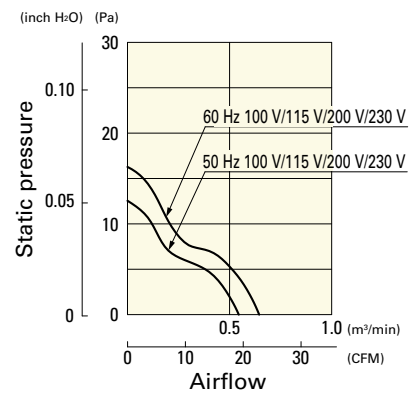
109S091, 109S093, 109S092, 109S094



109S095

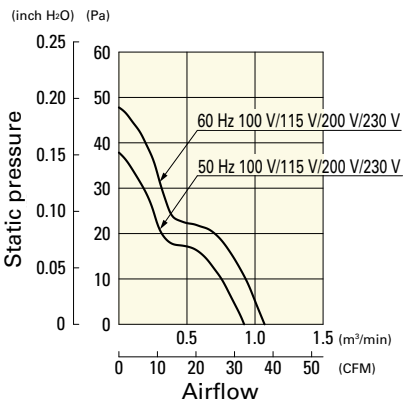


109S096, 109S193, 109S192, 109S194

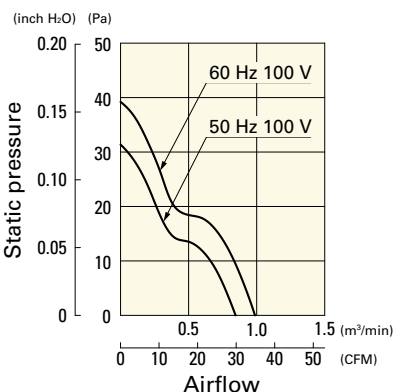


### with Sensor

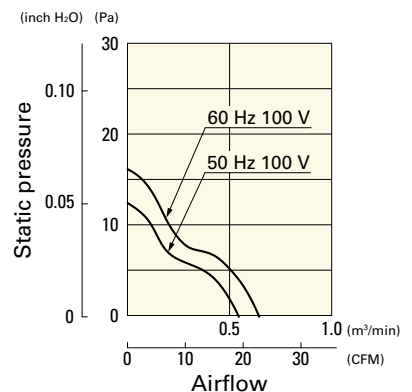
109S491, 109S493, 109S492, 109S494



109S495

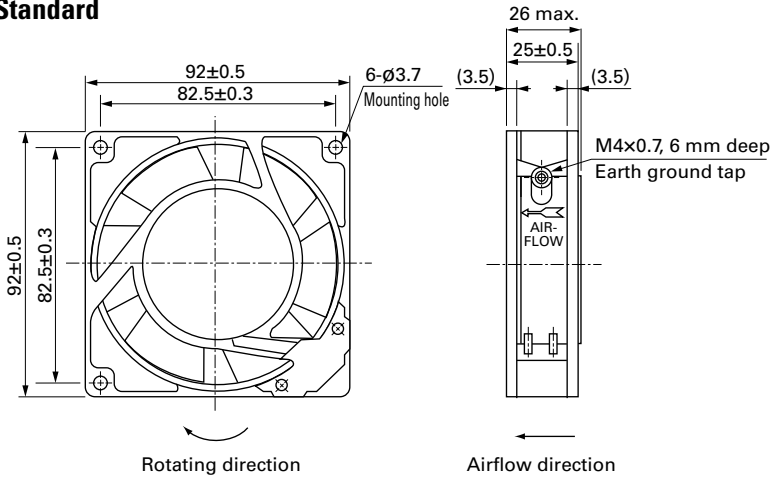


109S496

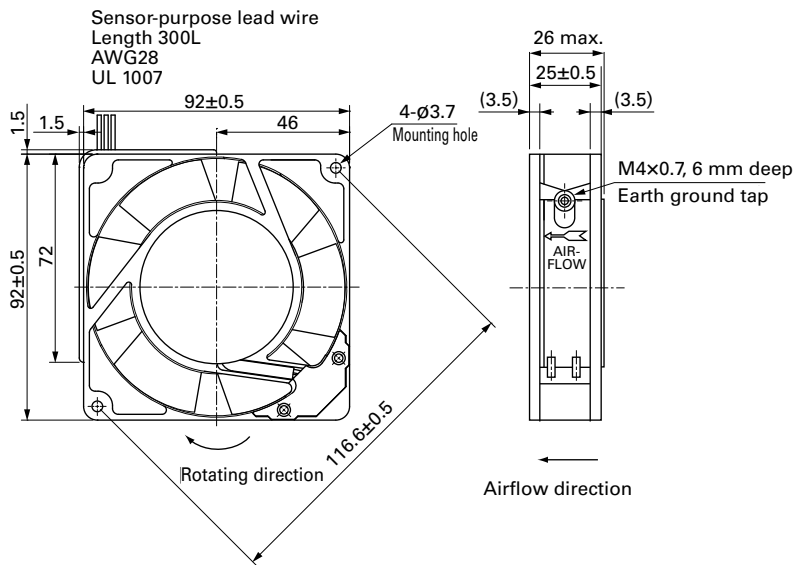


**Dimensions (unit: mm)**

**Standard**



**with Sensor**

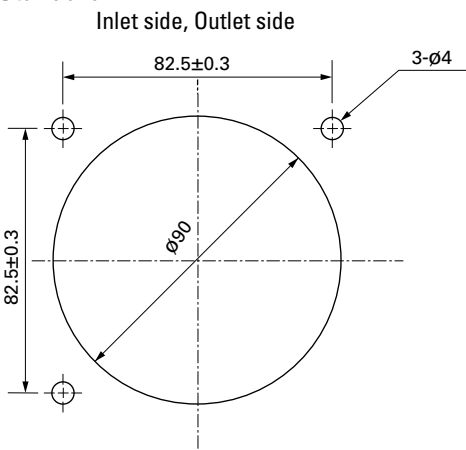


AC

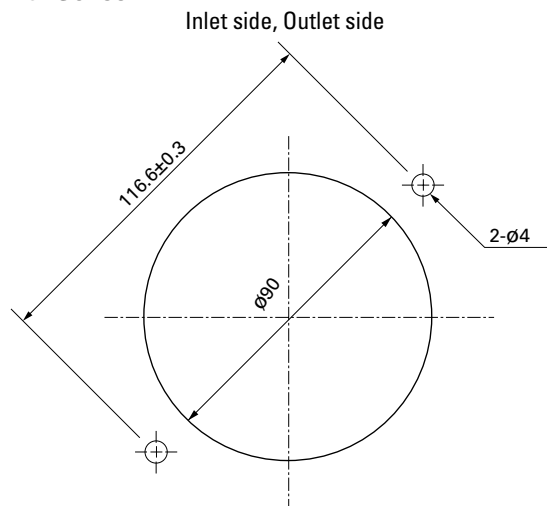
AC Fan 92 mm sq.

**Reference Dimensions of Mounting Holes and Vent Opening (unit: mm)**

**Standard**

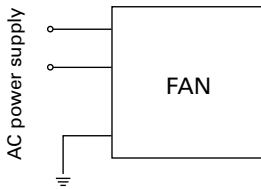


**with Sensor**



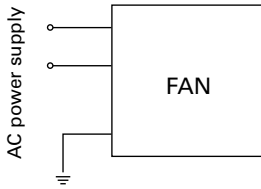
## Wiring Diagram

### Standard

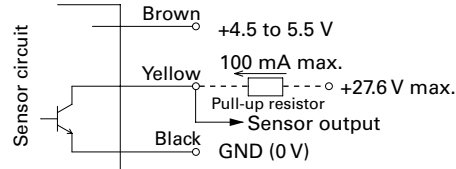


### with Sensor

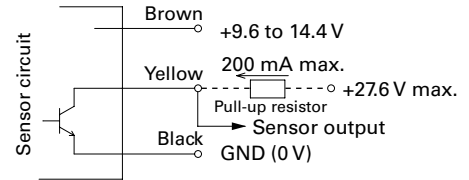
For fan power supply



For sensor circuit  
5 V (ITEM-20)



12 V (ITEM-30)



GND (Black) should be shared in case that power supply for sensor circuit (Brown) and that for sensor pull-up (Yellow) are separated.

## Options

### Finger guards

page: p. 558

Model no.: 109-099E, 109-099H, 109-099C

### Resin finger guards

page: p. 565

Model no.: 109-1001G

### Resin filter kits

page: p. 566

Model no.: 109-1001F13 (13PPI), 109-1001F20 (20PPI),  
109-1001F30 (30PPI), 109-1001F40 (40PPI)

### Plug cord

page: pp. 568 to 569

Model no.: 489-016-L10, 489-016-L21, 489-047-L10,  
489-047-L21



# 120×120×25 mm

**San Ace 120** Only standard fans (without sensors) have acquired CSA certification.

## General Specifications

- Material ..... Frame: Aluminum, Impeller: Plastic (Flammability: UL 94V-1)
- Expected life ..... See the table below. (L10 life: 90% survival rate for continuous operation in free air at 60°C, rated voltage) Expected life at 40°C is for reference only.
- Motor structure ..... Shaded coil motor
- Motor protection function ..... Locked rotor burnout protection, Reverse polarity protection  
For details, please refer to p. 573.
- Dielectric strength ..... 50/60 Hz, 1500 VAC, for 1 minute (between input terminal and frame)
- Dielectric strength (with sensor) ..... 50/60 Hz 1500 VAC 1 minute (between AC input terminal and frame)  
50/60 Hz 1000 VAC 1 minute (between lead wire conductors and frame)
- Insulation resistance ..... 10 MΩ or more with a 500 VDC megger
- Sound pressure level (SPL) ..... At 1 m away from the air inlet
- Operating voltage range ..... Voltage of each model ±10%
- Storage temperature ..... -30 to +70°C (Non-condensing)
- Sensor-Purpose lead wire ..... ⊕Brown ⊖Black (Sensor) Yellow
- Mass ..... 370 g/390 g (with Sensor)

## Specifications

### Standard

Model no.	Rated voltage [V]	Frequency [Hz]	Input [W]	Current [A]	Locked rotor current [A]	Rated speed [min <sup>-1</sup> ]	Max. airflow [m <sup>3</sup> /min] [CFM]	Max. static pressure [Pa] [inchH <sub>2</sub> O]	SPL [dB (A)]	Operating temperature [°C]	Expected life [h]
109S085	100	50/60	13.5/12	0.16/0.14	0.19/0.17	2500/2900	1.95/2.3 68.9/81.3	48 /51.9 0.193/0.216	38/41	-30 to +60	25000/60°C (56000/40°C)
109S084	115			0.14/0.12	0.16/0.15						
109S088	200			0.08/0.07	0.1 /0.09						
109S087	230			0.07/0.06	0.08/0.07						
109S081	100	9.5/8.5	9.5/8.5	0.11	0.11/0.1	2200/2350	1.7 /1.8 60.1/63.6	29.4/26.5 0.118/0.106			
109S083	115	0.1		0.1 /0.09							
109S082	200	0.07		0.07/0.06							
109S089	230	0.06		0.06/0.05							
109S086*	100	12/10	0.14/0.12	0.15/0.13	1400/1600	1.1 /1.25 38.9/44.2	14.7/18.6 0.059/0.075	24/27			

\*These are low-speed models.

### with Sensor

For sensor specifications, please refer to p. 576. Sensor specification differs depending on the fan's speed specification.

For a 5 V sensor power supply (ITEM-20), please append "-20" to the end of model number. E.g. 109S485-20

For a 12 V sensor power supply (ITEM-30), please append "-30" to the end of model number. E.g. 109S485-30

Model no.	Rated voltage [V]	Frequency [Hz]	Input [W]	Current [A]	Locked rotor current [A]	Rated speed [min <sup>-1</sup> ]	Max. airflow [m <sup>3</sup> /min] [CFM]	Max. static pressure [Pa] [inchH <sub>2</sub> O]	SPL [dB (A)]	Operating temperature [°C]	Expected life [h]
109S485	100	50/60	13.5/12	0.16/0.14	0.19/0.17	2500/2900	1.95/2.3 68.9/81.3	48 /51.9 0.193/0.216	38/41	-10 to +60	25000/60°C (56000/40°C)
109S484	115			0.14/0.12	0.16/0.15						
109S488	200			0.08/0.07	0.1 /0.09						
109S487	230			0.07/0.06	0.08/0.07						
109S486*	100	12/10	0.14/0.12	0.15/0.13	1400/1600	1.1 /1.25 38.9/44.2	14.7/18.6 0.059/0.075	24/27			

\*These are low-speed models.

These are Short LeadTime Service applicable models. Contact your point of sale for stock availability. For more information on the service, see p. 626.

## Set Models

Fan, finger guard, plug cord, screws, etc. can be purchased in one package. For details, please refer to p. 627.

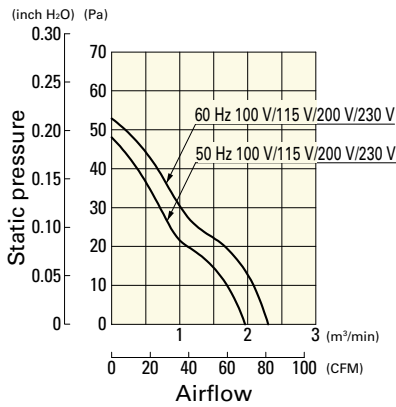
Order no.	Set items					
	Fan	Voltage	Low-speed sensor	Plug cord*	Finger guards	Mounting screws
ST1-109S085	109S085	100 V		489-016-L10	109-019E	M3×40 mm (4 screws)
ST1-109S084	109S084	115 V		489-016-L10	109-019E	
ST1-109S088	109S088	200 V		489-016-L10	109-019E	
ST1-109S087	109S087	230 V		489-016-L10	109-019E	
ST1-109S081	109S081	100 V		489-016-L10	109-019E	
ST1-109S083	109S083	115 V		489-016-L10	109-019E	
ST1-109S082	109S082	200 V		489-016-L10	109-019E	
ST1-109S089	109S089	230 V		489-016-L10	109-019E	
ST1-109S086	109S086			489-016-L10	109-019E	
ST1-109S485-20	109S485-20	100 V	○ (5 V)	489-016-L10	109-019E	
ST1-109S485-30	109S485-30		○ (12 V)	489-016-L10	109-019E	
ST1-109S484-20	109S484-20	115 V	○ (5 V)	489-016-L10	109-019E	
ST1-109S484-30	109S484-30		○ (12 V)	489-016-L10	109-019E	
ST1-109S488-20	109S488-20	200 V	○ (5 V)	489-016-L10	109-019E	
ST1-109S488-30	109S488-30		○ (12 V)	489-016-L10	109-019E	
ST1-109S487-20	109S487-20	230 V	○ (5 V)	489-016-L10	109-019E	
ST1-109S487-30	109S487-30		○ (12 V)	489-016-L10	109-019E	
ST1-109S486-20	109S486-20	100 V	○ (5 V)	489-016-L10	109-019E	
ST1-109S486-30	109S486-30		○ (12 V)	489-016-L10	109-019E	

\* PSE compatible.

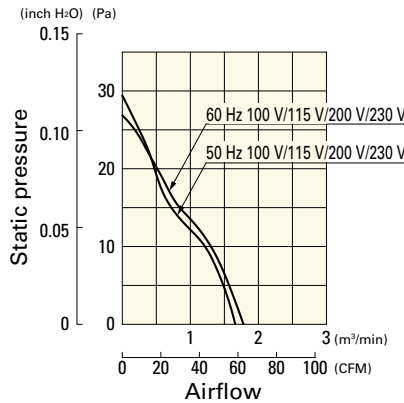
## Airflow - Static Pressure Characteristics

### Standard

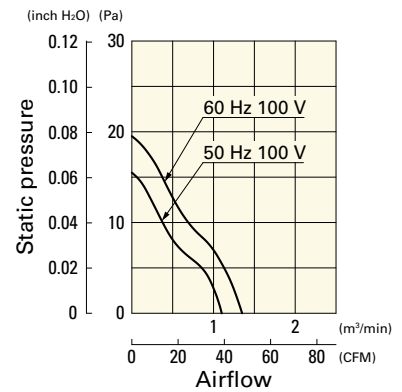
#### 109S085, 109S084, 109S088, 109S087



#### 109S081, 109S083, 109S082, 109S089

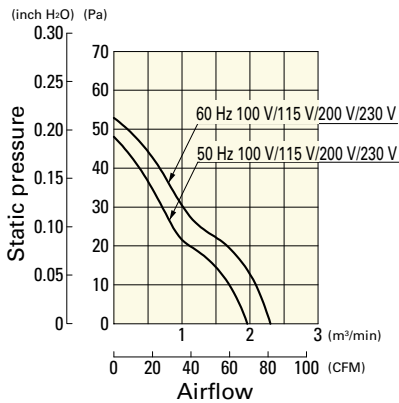


#### 109S086

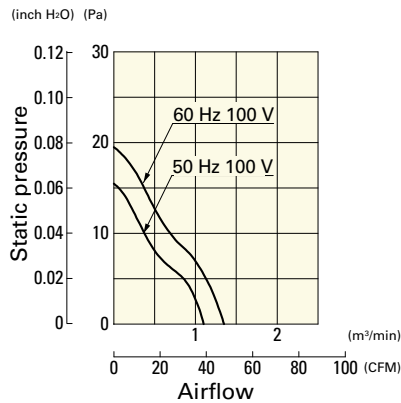


### with Sensor

#### 109S485, 109S484, 109S488, 109S487

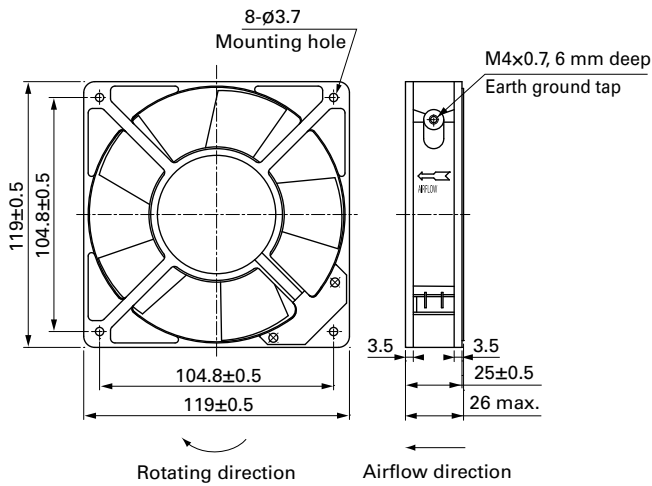


#### 109S486

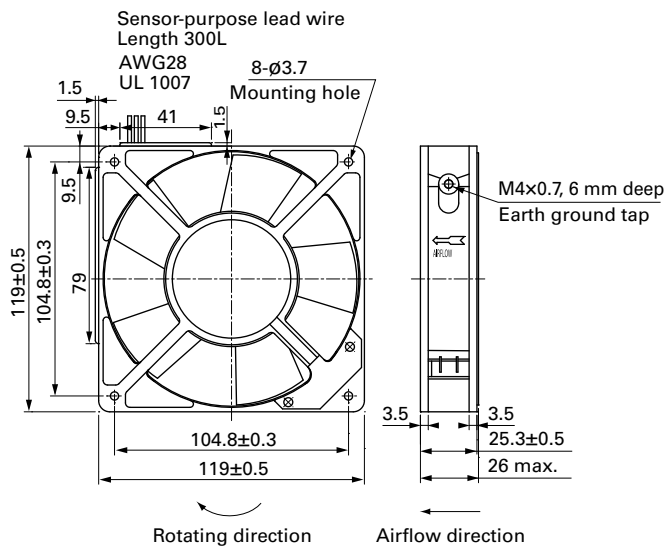


**Dimensions (unit: mm)**

**Standard**



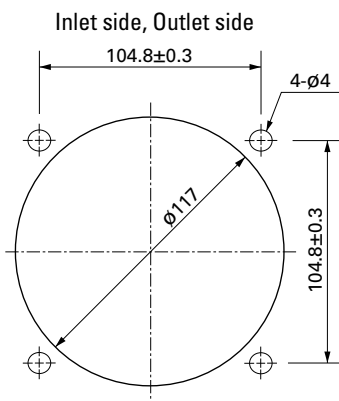
**with Sensor** When mounting the model with a sensor, please screw-mount through both flanges as it has a sensor box.



**AC**

**AC Fan 120 mm sq.**

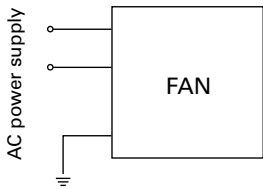
**Reference Dimensions of Mounting Holes and Vent Opening (unit: mm)**





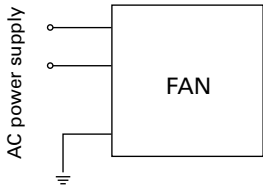
## Wiring Diagram

### Standard

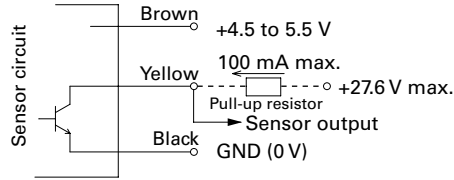


### with Sensor

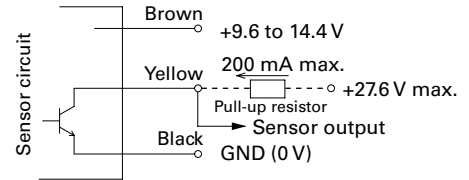
For fan power supply



For sensor circuit  
5 V (ITEM-20)



12 V (ITEM-30)



GND (Black) should be shared in case that power supply for sensor circuit (Brown) and that for sensor pull-up (Yellow) are separated.

## Options

### Finger guards

page: p. 559

Model no.: 109-019E, 109-019K, 109-019C, 109-019H

### Resin finger guards

page: p. 565

Model no.: 109-1000G

### Resin filter kits

page: p. 566

Model no.: 109-1000F13 (13PPI), 109-1000F20 (20PPI),  
109-1000F30 (30PPI), 109-1000F40 (40PPI)

### Plug cord

page: pp. 568 to 569

Model no.: 489-016-L10, 489-016-L21, 489-047-L10,  
489-047-L21



# 120×120×38 mm

**San Ace 120**     Certifications vary by model no. Please refer to pp. 614 to 615.

## General Specifications

- Material ..... Frame: Aluminum, Impeller: Plastic (Flammability: UL 94V-1)
- Expected life ..... See the table below. (L10 life: 90% survival rate for continuous operation in free air at 60°C, rated voltage)  
Expected life at 40°C is for reference only.
- Motor structure ..... Shaded coil motor
- Motor protection function ..... Locked rotor burnout protection, Reverse polarity protection  
For details, please refer to p. 573.
- Dielectric strength ..... 50/60 Hz, 1500 VAC, for 1 minute (between input terminal and G terminal)
- Dielectric strength (with sensor) ..... 50/60 Hz 1500 VAC 1 minute (between AC input terminal and G terminal)  
50/60 Hz 1000 VAC 1 minute (between lead wire conductors and frame)
- Insulation resistance ..... 10 MΩ or more with a 500 VDC megger
- Sound pressure level (SPL) ..... At 1 m away from the air inlet
- Operating voltage range ..... Voltage of each model ±10%
- Storage temperature ..... -30 to +70°C (Non-condensing)
- Sensor-Purpose lead wire ..... ⊕Brown ⊖Black (Sensor) Yellow
- Mass ..... 550 g/580 g (with Sensor)

## Specifications

### Standard

Model no.	Rated voltage [V]	Frequency [Hz]	Input [W]	Current [A]	Locked rotor current [A]	Rated speed [min <sup>-1</sup> ]	Max. airflow [m <sup>3</sup> /min] [CFM]	Max. static pressure [Pa] [inchH <sub>2</sub> O]	SPL [dB (A)]	Operating temperature [°C]	Expected life [h]
109S075UL	100	50/60	18/16	0.24/0.21	0.32/0.28	2700/3100	2.5 / 2.9 88.3/102.5	57.9/68.7 0.233/0.276	42/45	-30 to +60	25000/60°C (56000/40°C)
109S074UL	115			0.21/0.18	0.27/0.24						
109S078UL	200			0.12/0.1	0.16/0.14						
109S072UL	230			0.11/0.09	0.14/0.13						
109S005	100		14/12	0.18/0.16	0.25/0.22	2700/3100	2.35/2.7 83 / 95.4	55.9/65.7 0.224/0.264	40/43		
109S005UL					0.16/0.14						
109S024	120			0.09/0.08	0.13/0.11						
109S024UL	115										
109S008	200		0.08/0.07	0.11/0.09							
109S008UL											
109S025	230		14/12	0.18/0.16	0.23/0.21	2450/2700	2.15/2.35 76 / 83	44.1/49.0 0.177/0.197	38/40		
109S025UL											
109S029UL	100		13/11	0.16/0.14	0.16/0.15	1800/2000	1.55/1.75 54.8/ 60.8	23.5/26.4 0.094/0.106	30/32		
109S013											
109S013UL			7/7	0.1 /0.09	0.1 /0.09	1650/1700	1.45/1.5 51.2/ 53	17.6/17.6 0.071/0.071	28/28		
109S006*											
109S006UL*	115	10/10	0.13/0.11	0.13/0.11	1800/1900	1.56/1.64 55 / 57.9	20 /20.6 0.08 /0.083	30/31			
109S010*	200	7/7	0.05/0.04	0.05/0.04	1650/1700	1.45/1.5 51.2/ 53	17.6/17.6 0.071/0.071	28/28			
109S010UL*	240	11/11	0.06/0.05	0.06/0.05	1800/1950	1.58/1.68 55.8/ 59.3	20.6/21.6 0.083/0.087	30/32			

\*These are low-speed models.

AC Fan 120 mm sq. AC

## with Sensor

For sensor specifications, please refer to p. 576. Sensor specification differs depending on the fan's speed specification.

For a 5 V sensor power supply (ITEM-20), please append "-20" to the end of model number. E.g. 109S405UL-20

For a 12 V sensor power supply (ITEM-30), please append "-30" to the end of model number. E.g. 109S405UL-30

Model no.	Rated voltage [V]	Frequency [Hz]	Input [W]	Current [A]	Locked rotor current [A]	Rated speed [min <sup>-1</sup> ]	Max. airflow [m <sup>3</sup> /min] [CFM]	Max. static pressure [Pa] [inchH <sub>2</sub> O]	SPL [dB (A)]	Operating temperature [°C]	Expected life [h]
109S405UL	100	50/60	14/12	0.18/0.16	0.25/0.22	2700/3100	2.35/2.7 83 / 95.4	55.9/65.7 0.224/0.264	40/43	-10 to +60	25000/60°C (56000/40°C)
109S424UL	115			0.16/0.14	0.21/0.18						
109S408UL	200			0.09/0.08	0.13/0.11						
109S425UL	230			0.08/0.07	0.11/0.09						
109S429UL	100		7/6	0.18/0.16	0.23/0.21	2450/2700	2.15/2.35 76 / 83	44.1/49.0 0.177/0.197	38/40		
109S406UL*				0.09/0.08	0.1 /0.09	1650/1700	1.45/1.5 51 / 53	17.7/17.7 0.071/0.071	28/28		
109S475UL	100		18/16	0.24/0.21	0.32/0.28	2700/3100	2.5 /2.9 88.3/102.4	57.9/68.7 0.233/0.276	42/45		
109S474UL	115			0.21/0.18	0.27/0.24						
109S478UL	200			0.12/0.1	0.16/0.14						
109S472UL	230			0.11/0.09	0.14/0.13						

\*These are low-speed models.

These are Short LeadTime Service applicable models. Contact your point of sale for stock availability. For more information on the service, see p. 626.

For the San Ace 120AD 9AD type 120×120×38 mm fan, please refer to p. 498.

This fan works while internally converting AC power into DC power, providing the superior performance of a DC fan with the flexibility of AC input.

## Set Models

Fan, finger guard, plug cord, screws, etc. can be purchased in one package. For details, please refer to p. 627.

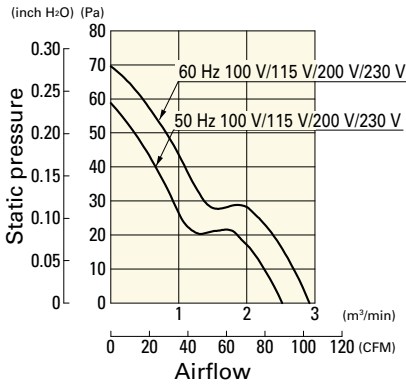
Order no.	Set items						Mounting screws
	Fan	Voltage	Low-speed sensor	Plug cord*	Finger guards		
ST1-109S075UL	109S075UL	100 V		489-037-L10	109-019E	M3×55 mm (4 screws)	
ST1-109S074UL	109S074UL	115 V		489-037-L10	109-019E		
ST1-109S078UL	109S078UL	200 V		489-037-L10	109-019E		
ST1-109S072UL	109S072UL	230 V		489-037-L10	109-019E		
ST1-109S005	109S005	100 V		489-006-L10	109-019E		
ST1-109S005UL	109S005UL		489-037-L10	109-019E			
ST1-109S024	109S024	120 V		489-006-L10	109-019E		
ST1-109S024UL	109S024UL	115 V		489-037-L10	109-019E		
ST1-109S008	109S008	200 V		489-006-L10	109-019E		
ST1-109S008UL	109S008UL		489-037-L10	109-019E			
ST1-109S025	109S025	230 V		489-006-L10	109-019E		
ST1-109S025UL	109S025UL		489-037-L10	109-019E			
ST1-109S029UL	109S029UL	100 V		489-037-L10	109-019E		
ST1-109S013	109S013		489-006-L10	109-019E			
ST1-109S013UL	109S013UL		489-037-L10	109-019E			
ST1-109S006	109S006		489-006-L10	109-019E			
ST1-109S006UL	109S006UL	100 V		489-037-L10	109-019E		
ST1-109S010	109S010	115 V		489-006-L10	109-019E		
ST1-109S010UL	109S010UL	200 V		489-037-L10	109-019E		
ST1-109S010UL	109S010UL	240 V		489-037-L10	109-019E		
ST1-109S405UL-20	109S405UL-20	100 V	○ (5 V)	489-037-L10	109-019E		
ST1-109S405UL-30	109S405UL-30		○ (12 V)	489-037-L10	109-019E		
ST1-109S424UL-20	109S424UL-20	115 V	○ (5 V)	489-037-L10	109-019E		
ST1-109S424UL-30	109S424UL-30		○ (12 V)	489-037-L10	109-019E		
ST1-109S408UL-20	109S408UL-20	200 V	○ (5 V)	489-037-L10	109-019E		
ST1-109S408UL-30	109S408UL-30		○ (12 V)	489-037-L10	109-019E		
ST1-109S425UL-20	109S425UL-20	230 V	○ (5 V)	489-037-L10	109-019E		
ST1-109S425UL-30	109S425UL-30		○ (12 V)	489-037-L10	109-019E		
ST1-109S429UL-20	109S429UL-20	100 V	○ (5 V)	489-037-L10	109-019E		
ST1-109S429UL-30	109S429UL-30		○ (12 V)	489-037-L10	109-019E		
ST1-109S406UL-20	109S406UL-20	100 V	○ (5 V)	489-037-L10	109-019E		
ST1-109S406UL-30	109S406UL-30		○ (12 V)	489-037-L10	109-019E		
ST1-109S475UL-20	109S475UL-20	100 V	○ (5 V)	489-037-L10	109-019E		
ST1-109S475UL-30	109S475UL-30		○ (12 V)	489-037-L10	109-019E		
ST1-109S474UL-20	109S474UL-20	115 V	○ (5 V)	489-037-L10	109-019E		
ST1-109S474UL-30	109S474UL-30		○ (12 V)	489-037-L10	109-019E		
ST1-109S478UL-20	109S478UL-20	200 V	○ (5 V)	489-037-L10	109-019E		
ST1-109S478UL-30	109S478UL-30		○ (12 V)	489-037-L10	109-019E		
ST1-109S472UL-20	109S472UL-20	230 V	○ (5 V)	489-037-L10	109-019E		
ST1-109S472UL-30	109S472UL-30		○ (12 V)	489-037-L10	109-019E		

\* PSE compatible.

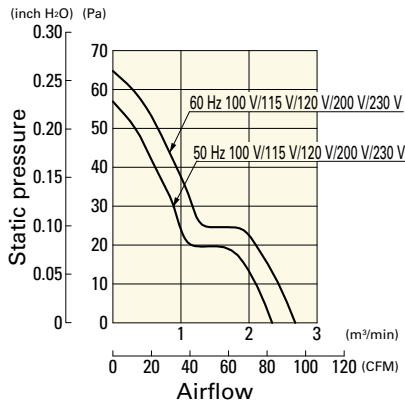
# Airflow - Static Pressure Characteristics

## Standard

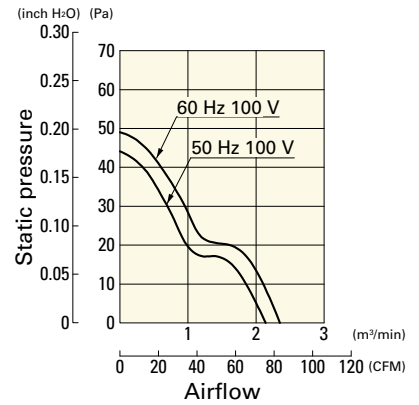
**109S075UL, 109S074UL, 109S078UL, 109S072UL**



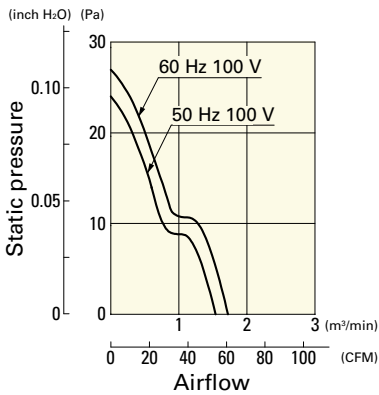
**109S005, 109S005UL, 109S024, 109S024UL, 109S008, 109S008UL, 109S025, 109S025UL**



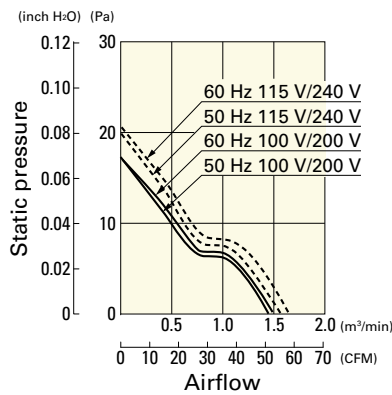
**109S029UL**



**109S013, 109S013UL**



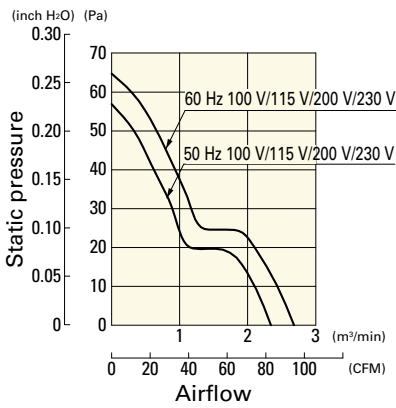
**109S006, 109S006UL, 109S010, 109S010UL**



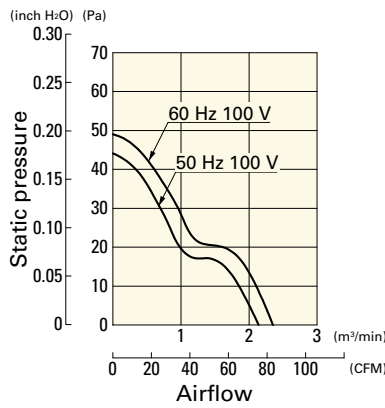
AC Fan 120 mm sq.

## with Sensor

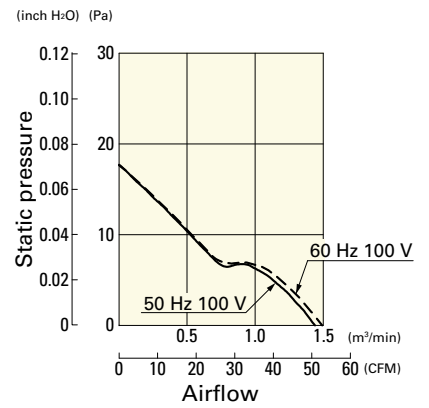
**109S405UL, 109S424UL, 109S408UL, 109S425UL**



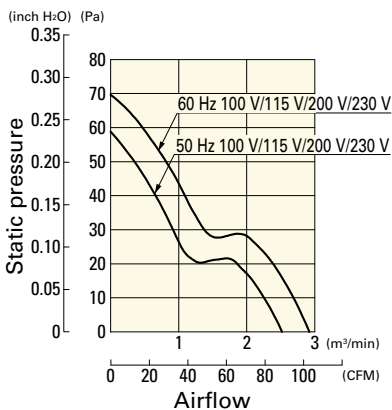
**109S429UL**



**109S406UL**

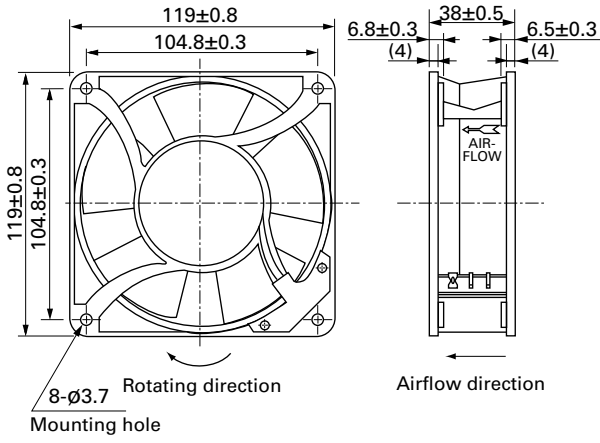


**109S475UL, 109S474UL, 109S478UL, 109S472UL**

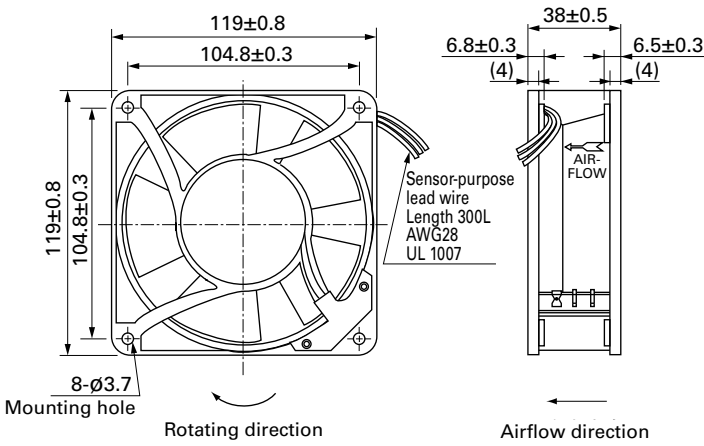


■ Dimensions (unit: mm)

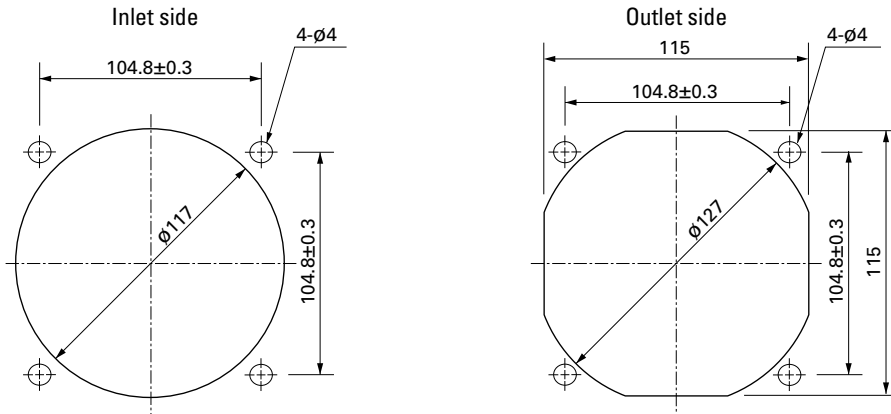
Standard



**with Sensor** When mounting the model with a sensor, please screw-mount through both flanges as it has a sensor box.

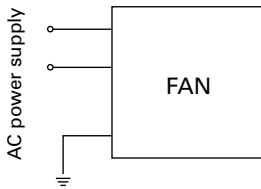


■ Reference Dimensions of Mounting Holes and Vent Opening (unit: mm)



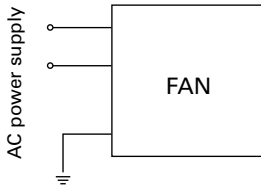
## Wiring Diagram

### Standard

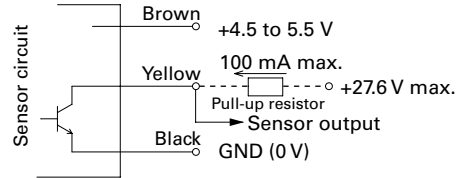


### with Sensor

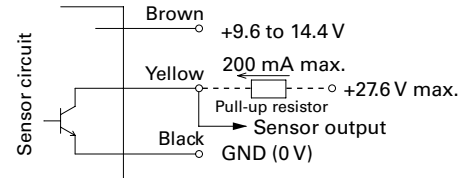
For fan power supply



For sensor circuit  
5 V (ITEM-20)



12 V (ITEM-30)



GND (Black) should be shared in case that power supply for sensor circuit (Brown) and that for sensor pull-up (Yellow) are separated.

## Options

### Finger guards

page: p. 559

Model no.: 109-019E, 109-019K, 109-019C, 109-019H

### Resin finger guards

page: p. 565

Model no.: 109-1000G

### Resin filter kits

page: p. 566

Model no.: 109-1000F13 (13PPI), 109-1000F20 (20PPI),  
109-1000F30 (30PPI), 109-1000F40 (40PPI)

### Filter kits

page: p. 567

Model no.: 109-018

### Screen kits

page: p. 567

Model no.: 109-020

### Plug cord

page: pp. 568 to 569

Exclusive for fans without UL at the end of the model number.

Model no.: 489-006-L10, 489-006-L21, 489-006-L35

Exclusive for fans with UL at the end of the model number.

Model no.: 489-037-L10, 489-037-L21, 489-037-L35,  
489-007-L10, 489-007-L21



# 160×160×51 mm

**San Ace 160**  Only standard fans (without sensors) have acquired CSA certification.

## General Specifications

- Material ..... Frame: Aluminum, Impeller: Plastic (Flammability: UL 94V-1)
- Expected life ..... See the table below. (L10 life: 90% survival rate for continuous operation in free air at 60°C, rated voltage) Expected life at 40°C is for reference only.
- Motor structure ..... Capacitor motor
- Motor protection function ..... Locked rotor burnout protection, Reverse polarity protection  
For details, please refer to p. 573.
- Dielectric strength ..... 50/60 Hz, 1500 VAC, for 1 minute (between input terminal and frame)
- Dielectric strength (with sensor) ..... 50/60 Hz 1500 VAC 1 minute (between AC input terminal and frame)  
50/60 Hz 1000 VAC 1 minute (between lead wire conductors and frame)
- Insulation resistance ..... 10 MΩ or more with a 500 VDC megger
- Sound pressure level (SPL) ..... At 1 m away from the air inlet
- Operating voltage range ..... Voltage of each model ±10%
- Storage temperature ..... -30 to +70°C (Non-condensing)
- Sensor-Purpose lead wire ..... ⊕Brown ⊖Black (Sensor) Yellow
- Mass ..... 1100 g

## Specifications

### Standard

Model no.	Rated voltage [V]	Frequency [Hz]	Input [W]	Current [A]	Locked rotor current [A]	Rated speed [min <sup>-1</sup> ]	Max. airflow [m <sup>3</sup> /min] [CFM]	Max. static pressure [Pa] [inchH <sub>2</sub> O]	SPL [dB (A)]	Operating temperature [°C]	Expected life [h]
109-601	100	50/60	37.5/33	0.43/0.35	0.72/0.7	2850/3350	7.2/8.5 254.4/300.4	156.8/166.6 0.63/0.669	56/60	-30 to +60	25000/60°C (56000/40°C)
109-604	115			0.39/0.31	0.62/0.61						
109-602	200			0.23/0.18	0.36/0.35						
109-603	230			0.21/0.16	0.32/0.31						

### with Sensor

For sensor specifications, please refer to p. 576. Sensor specification differs depending on the fan's speed specification.

For a 5 V sensor power supply (ITEM-20), please append "-20" to the end of model number. E.g. 109-641-20

For a 12 V sensor power supply (ITEM-30), please append "-30" to the end of model number. E.g. 109-641-30

Model no.	Rated voltage [V]	Frequency [Hz]	Input [W]	Current [A]	Locked rotor current [A]	Rated speed [min <sup>-1</sup> ]	Max. airflow [m <sup>3</sup> /min] [CFM]	Max. static pressure [Pa] [inchH <sub>2</sub> O]	SPL [dB (A)]	Operating temperature [°C]	Expected life [h]
109-641	100	50/60	37.5/33	0.43/0.35	0.72/0.7	2850/3350	7.2/8.5 254.4/300.4	156.8/166.6 0.63/0.669	56/60	-10 to +60	25000/60°C (56000/40°C)
109-644	115			0.39/0.31	0.62/0.61						
109-642	200			0.23/0.18	0.36/0.35						
109-643	230			0.21/0.16	0.32/0.31						

These are Short LeadTime Service applicable models. Contact your point of sale for stock availability. For more information on the service, see p. 626.

## Set Models

Fan, finger guard, plug cord, screws, etc. can be purchased in one package. For details, please refer to p. 627.

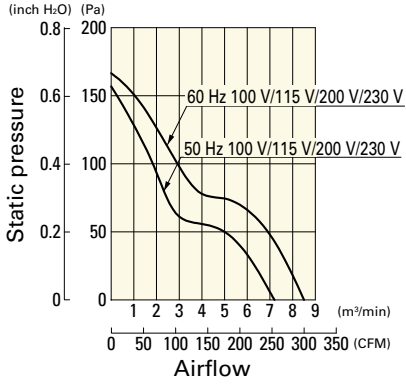
Order no.	Set items					
	Fan	Voltage	Low-speed sensor	Plug cord*	Finger guards	Mounting screws
ST1-109-601	109-601	100 V		489-1618-L10	109-619E	M5×20 mm (4 screws)
ST1-109-604	109-604	115 V		489-1618-L10	109-619E	
ST1-109-602	109-602	200 V		489-1618-L10	109-619E	
ST1-109-603	109-603	230 V		489-1618-L10	109-619E	
ST1-109-641-20	109-641-20	100 V	○ (5 V)	489-1618-L10	109-619E	
ST1-109-641-30	109-641-30		○ (12 V)	489-1618-L10	109-619E	
ST1-109-644-20	109-644-20	115 V	○ (5 V)	489-1618-L10	109-619E	
ST1-109-644-30	109-644-30		○ (12 V)	489-1618-L10	109-619E	
ST1-109-642-20	109-642-20	200 V	○ (5 V)	489-1618-L10	109-619E	
ST1-109-642-30	109-642-30		○ (12 V)	489-1618-L10	109-619E	
ST1-109-643-20	109-643-20	230 V	○ (5 V)	489-1618-L10	109-619E	
ST1-109-643-30	109-643-30		○ (12 V)	489-1618-L10	109-619E	

\* PSE compatible.

## Airflow - Static Pressure Characteristics

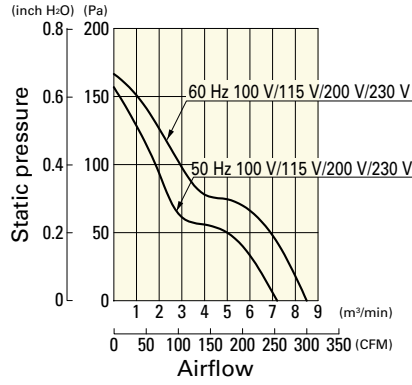
### Standard

109-601, 109-604, 109-602, 109-603



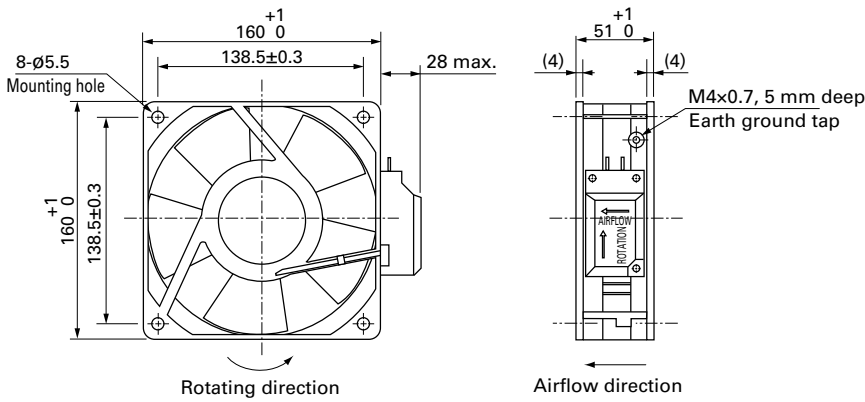
### with Sensor

109-641, 109-644, 109-642, 109-643

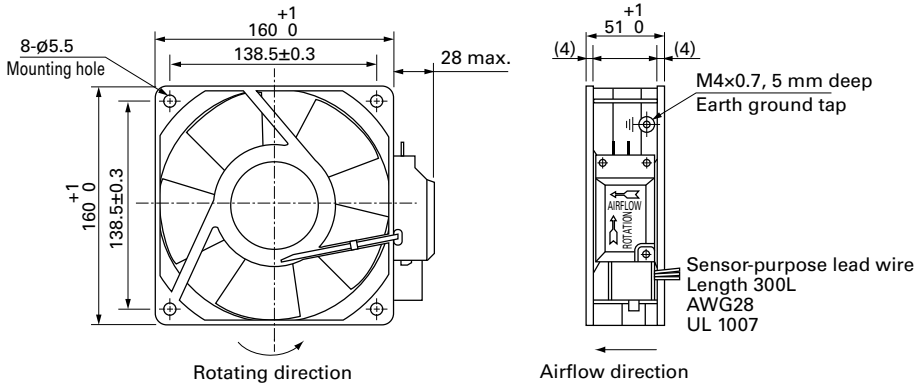


## Dimensions (unit: mm)

### Standard



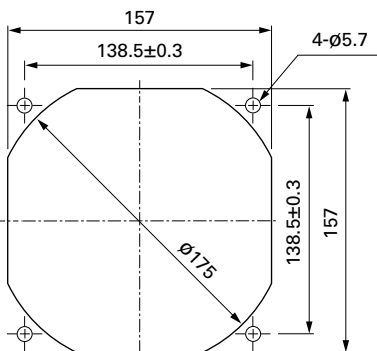
### with Sensor



AC Fan 160 mm sq.

## Reference Dimensions of Mounting Holes and Vent Opening (unit: mm)

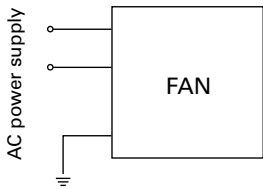
Inlet side, Outlet side





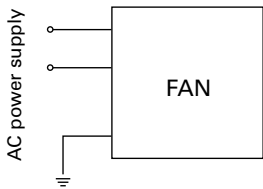
## Wiring Diagram

### Standard

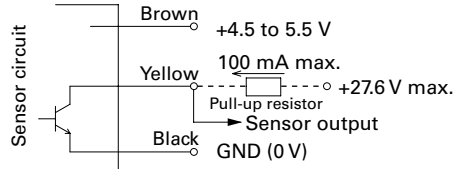


### with Sensor

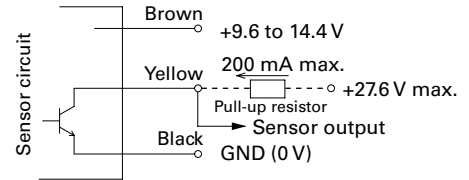
For fan power supply



For sensor circuit  
5 V (ITEM-20)



12 V (ITEM-30)



GND (Black) should be shared in case that power supply for sensor circuit (Brown) and that for sensor pull-up (Yellow) are separated.

## Options

### Finger guards

page: p. 559

Model no.: 109-619E, 109-619H, 109-620

### Plug cord

page: pp. 568 to 569

Model no.: 489-084-L10, 489-084-L21, 489-086-L10,  
489-086-L21, 489-1618-L10, 489-1618-L21,  
489-1618-L28, 489-1619-L10, 489-1619-L21



# ∅ 172×150×51 mm

San Ace 172    

Sidecut type

## General Specifications

- Material ..... Frame: Aluminum, Impeller: Plastic (Flammability: UL 94V-1)
- Expected life ..... See the table below. (L10 life: 90% survival rate for continuous operation in free air at 60°C, rated voltage) Expected life at 40°C is for reference only.
- Motor structure ..... Capacitor motor
- Motor protection function ..... Locked rotor burnout protection, Reverse polarity protection  
For details, please refer to p. 573.
- Dielectric strength ..... 50/60 Hz, 1500 VAC, for 1 minute (between input terminal and frame)
- Insulation resistance ..... 10 MΩ or more with a 500 VDC megger
- Sound pressure level (SPL) ..... At 1 m away from the air inlet
- Operating voltage range ..... Voltage of each model ±10%
- Storage temperature ..... -30 to +70°C (Non-condensing)
- Mass ..... 1000 g

## Specifications

Model no.	Rated voltage [V]	Frequency [Hz]	Input [W]	Current [A]	Locked rotor current [A]	Rated speed [min <sup>-1</sup> ]	Max. airflow [m <sup>3</sup> /min] [CFM]	Max. static pressure [Pa] [inchH <sub>2</sub> O]	SPL [dB (A)]	Operating temperature [°C]	Expected life [h]
109S301	100	50/60	27/25	0.33/0.25	0.65/0.64	2900/3500	5.3/6.4 187.3/226.1	147/196 0.59/0.787	51/56	-30 to +60	25000/60°C (56000/40°C)
109S304	115			0.29/0.22	0.55/0.54						
109S302	200			0.16/0.13	0.33/0.32						
109S303	230			0.14/0.11	0.28/0.27						

These are Short LeadTime Service applicable models. Contact your point of sale for stock availability. For more information on the service, see p. 626.

## Set Models

Fan, finger guard, plug cord, screws, etc. can be purchased in one package. For details, please refer to p. 627.

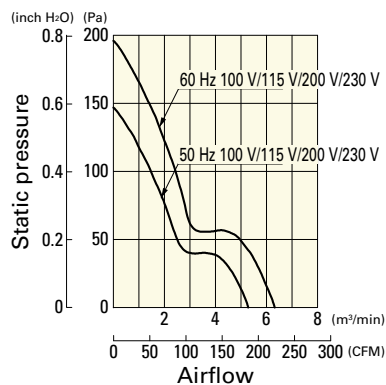
Order no.	Set items					
	Fan	Voltage	Low-speed sensor	Plug cord*	Finger guards	Mounting screws
ST1-109S301	109S301	100 V		489-1619-L10	109-319E	M4×25 mm (4 screws)**
ST1-109S304	109S304	115 V		489-1619-L10	109-319E	
ST1-109S302	109S302	200 V		489-1619-L10	109-319E	
ST1-109S303	109S303	230 V		489-1619-L10	109-319E	

\* PSE compatible.

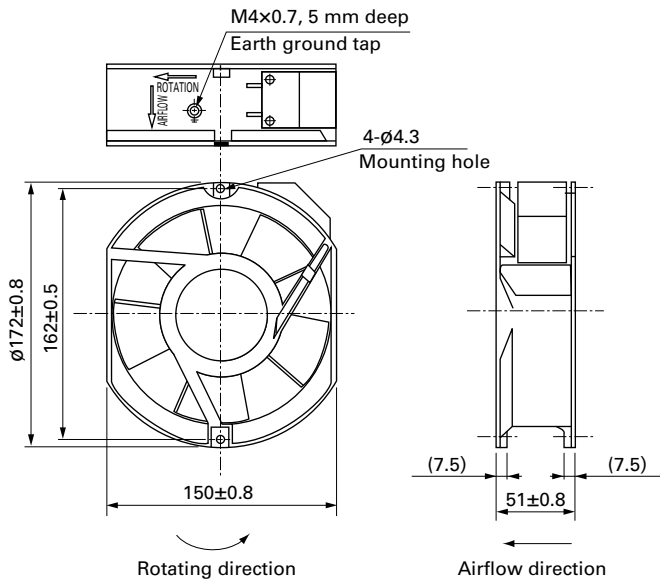
\*\* Though these are 2-hole or 3-hole frame mount types, 4 screws are included for extra.

## Airflow - Static Pressure Characteristics

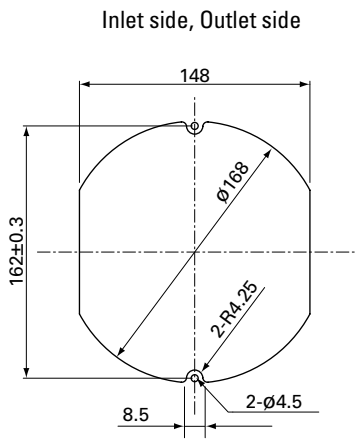
### 109S301, 109S304, 109S302, 109S303



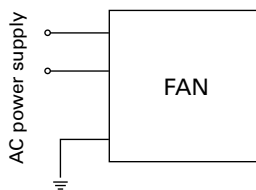
## Dimensions (unit: mm)



## Reference Dimensions of Mounting Holes and Vent Opening (unit: mm)



## Wiring Diagram



## Options

### Finger guards

page: p. 560

Model no.: 109-319E, 109-319H, 109-320

### Plug cord

page: pp. 568 to 569

Model no.: 489-1619-L10, 489-1619-L21, 489-084-L10, 489-084-L21



# ∅172x51 mm

**San Ace 172** Only standard fans (without sensors) have acquired CSA certification. **Round type**

## General Specifications

- Material ..... Frame: Aluminum, Impeller: Plastic (Flammability: UL 94V-1)
- Expected life ..... See the table below. (L10 life: 90% survival rate for continuous operation in free air at 60°C, rated voltage) Expected life at 40°C is for reference only.
- Motor structure ..... Capacitor motor
- Motor protection function ..... Locked rotor burnout protection, Reverse polarity protection  
For details, please refer to p. 573.
- Dielectric strength ..... 50/60 Hz, 1500 VAC, for 1 minute (between input terminal and frame)
- Dielectric strength (with sensor) ..... 50/60 Hz 1500 VAC 1 minute (between AC input terminal and frame)  
50/60 Hz 1000 VAC 1 minute (between lead wire conductors and frame)
- Insulation resistance ..... 10 MΩ or more with a 500 VDC megger
- Sound pressure level (SPL) ..... At 1 m away from the air inlet
- Operating voltage range ..... Voltage of each model ±10%
- Storage temperature ..... -30 to +70°C (Non-condensing)
- Sensor-Purpose lead wire ..... ⊕Brown ⊖Black (Sensor) Yellow
- Mass ..... 1000 g

## Specifications

### Standard

Model no.	Rated voltage [V]	Frequency [Hz]	Input [W]	Current [A]	Locked rotor current [A]	Rated speed [min <sup>-1</sup> ]	Max. airflow [m <sup>3</sup> /min] [CFM]	Max. static pressure [Pa] [inchH <sub>2</sub> O]	SPL [dB (A)]	Operating temperature [°C]	Expected life [h]
109-311	100	50/60	27/25	0.33/0.25	0.65/0.64	2900/3500	5.3/6.4 187.3/226.1	147/196 0.59/0.787	47/51	-30 to +60	25000/60°C (56000/40°C)
109-314	115			0.29/0.22	0.55/0.54						
109-312	200			0.16/0.13	0.33/0.32						
109-313	230			0.14/0.11	0.28/0.27						

### with Sensor

For sensor specifications, please refer to p. 576. Sensor specification differs depending on the fan's speed specification.

For a 5 V sensor power supply (ITEM-20), please append "-20" to the end of model number. E.g. 109-371-20

For a 12 V sensor power supply (ITEM-30), please append "-30" to the end of model number. E.g. 109-371-30

Model no.	Rated voltage [V]	Frequency [Hz]	Input [W]	Current [A]	Locked rotor current [A]	Rated speed [min <sup>-1</sup> ]	Max. airflow [m <sup>3</sup> /min] [CFM]	Max. static pressure [Pa] [inchH <sub>2</sub> O]	SPL [dB (A)]	Operating temperature [°C]	Expected life [h]
109-371	100	50/60	27/25	0.33/0.25	0.65/0.64	2900/3500	5.3/6.4 187.3/226.1	147/196 0.59/0.787	47/51	-10 to +60	25000/60°C (56000/40°C)
109-374	115			0.29/0.22	0.55/0.54						
109-372	200			0.16/0.13	0.33/0.32						
109-373	230			0.14/0.11	0.28/0.27						

These are Short LeadTime Service applicable models. Contact your point of sale for stock availability. For more information on the service, see p. 626.

## Set Models

Fan, finger guard, plug cord, screws, etc. can be purchased in one package. For details, please refer to p. 627.

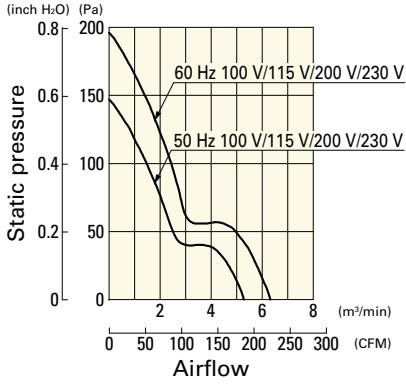
Order no.	Set items					
	Fan	Voltage	Low-speed sensor	Plug cord*	Finger guards	Mounting screws
ST1-109-311	109-311	100 V		489-1619-L10	109-319E	M4×25 mm (4 screws)
ST1-109-314	109-314	115 V		489-1619-L10	109-319E	
ST1-109-312	109-312	200 V		489-1619-L10	109-319E	
ST1-109-313	109-313	230 V		489-1619-L10	109-319E	
ST1-109-371-20	109-371-20	100 V	○ (5 V)	489-1619-L10	109-319E	
ST1-109-371-30	109-371-30		○ (12 V)	489-1619-L10	109-319E	
ST1-109-374-20	109-374-20	115 V	○ (5 V)	489-1619-L10	109-319E	
ST1-109-374-30	109-374-30		○ (12 V)	489-1619-L10	109-319E	
ST1-109-372-20	109-372-20	200 V	○ (5 V)	489-1619-L10	109-319E	
ST1-109-372-30	109-372-30		○ (12 V)	489-1619-L10	109-319E	
ST1-109-373-20	109-373-20	230 V	○ (5 V)	489-1619-L10	109-319E	
ST1-109-373-30	109-373-30		○ (12 V)	489-1619-L10	109-319E	

\* PSE compatible.

## Airflow - Static Pressure Characteristics

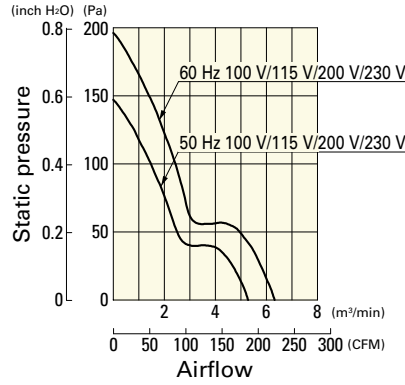
### Standard

109-311, 109-314, 109-312, 109-313



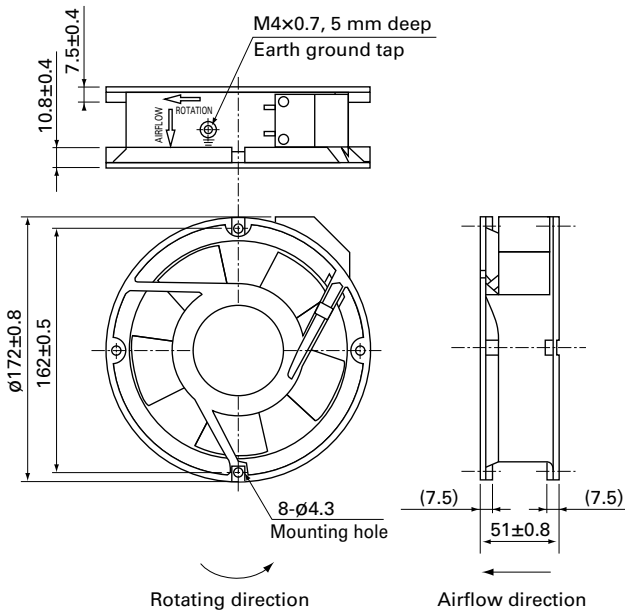
### with Sensor

109-371, 109-374, 109-372, 109-373

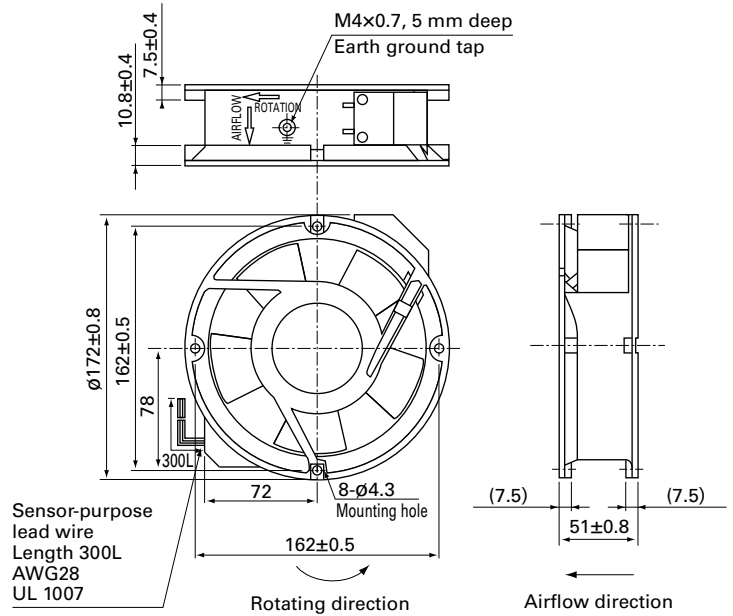


## Dimensions (unit: mm)

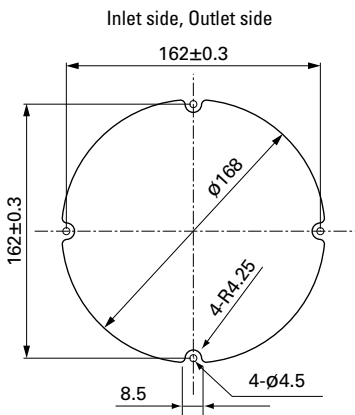
### Standard



### with Sensor

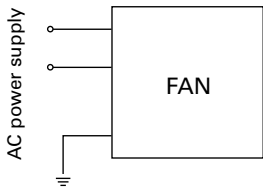


## Reference Dimensions of Mounting Holes and Vent Opening (unit: mm)



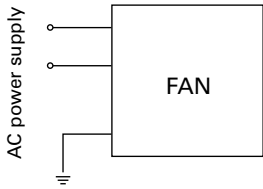
## Wiring Diagram

### Standard

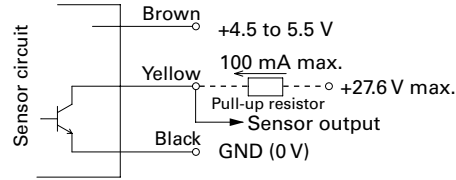


### with Sensor

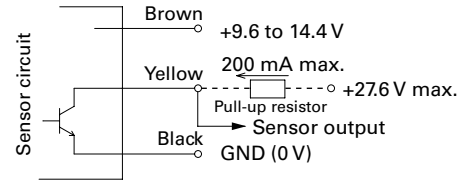
For fan power supply



For sensor circuit  
5 V (ITEM-20)



12 V (ITEM-30)



GND (Black) should be shared in case that power supply for sensor circuit (Brown) and that for sensor pull-up (Yellow) are separated.

## Options

### Finger guards

page: p. 560

Model no.: 109-319E, 109-319H, 109-320, 109-1066,  
109-1068

### Plug cord

page: pp. 568 to 569

Model no.: 489-1619-L10, 489-1619-L21, 489-084-L10,  
489-084-L21

AC

AC Fan  $\varnothing$ 172 mm



# San Ace Controller

## Features

### Preventive maintenance of equipment (IoT functionality)

- Easy to connect to user's terminal devices. (Wireless LAN / wired LAN)
- Enables users to monitor the status of fans and sensors from remote terminal devices.
- Enables users to control the fan speed remotely via terminal devices.
- Detects outlier sensor measurements and sends alerts.
- Saves the fan's cumulative operating time and other fan measurement data to the cloud for later use.
- Prevents heat problems with user equipment, contributing to reducing maintenance time and costs.

### Low noise and high energy efficiency (Automatic control)

- Stores temperature, humidity, and air pressure measurements for automatic fan speed control based on the setting conditions.
- Makes fan cooling and ventilation more efficient, reducing noise and improving efficiency.

### Optimized fan settings (Manual control)

- Can connect and control a maximum of four fans, enabling different speed settings for individual fans.
- Optimizes the airflow and static pressure of individual fans in multi-fan systems.



Only the 9CT1-U001 model is cUL-certified.

## Specifications

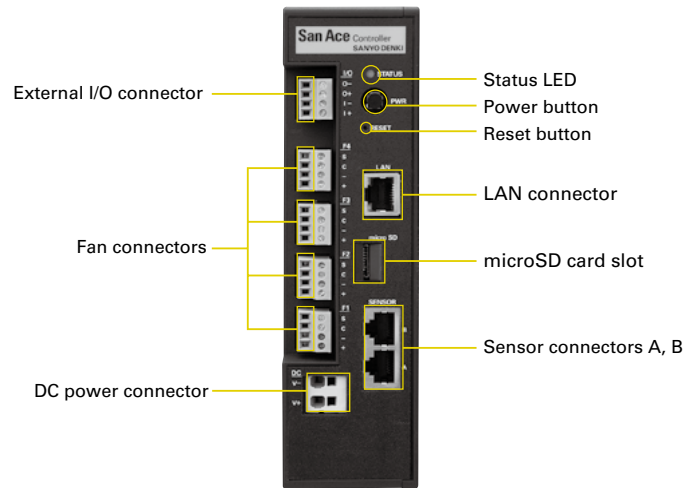
	With wireless LAN	Without wireless LAN	With wireless LAN, cUL certified
Model no.	<b>9CT1-001</b>	<b>9CT1-002</b>	<b>9CT1-U001<sup>(1)</sup></b>
Rated voltage [VDC]	12/24/48		12/24
Power consumption [W]	3.1 <sup>(2)</sup>		
Max. input power	970 W or less		64 W or less (At 12 VDC) 100 W or less (At 24 VDC)
Operating voltage range [VDC]	7 to 60		7 to 27.6
Operating temperature range [°C]	-20 to +70		
Control functions	Manual / automatic		
Control signal	PWM signal High-level voltage (V <sub>OH</sub> ): 3.3/5 V Frequency: 25 kHz		
Monitoring criteria	Fan speed, fan current, fan operation hours, sensor detection value, external input		
No. of connectable fans	Max. 4		
Max. fan connection terminal current (per terminal)	5 A		5 A (At 12 VDC) 4 A (At 24 VDC)
Max. output current (Total)	20 A		5 A (At 12 VDC) 4 A (At 24 VDC)
No. of connectable sensors	Max. 4		
Compatible sensors <sup>(3)</sup>	Temperature / humidity, air pressure, acceleration		
External I/O functions	Input	Photocoupler-isolated input, ON: 15 to 28.8 VDC, OFF: 0 to 5 VDC	
	Output	Photocoupler-isolated open-collector output, load voltage: 28.8 VDC or less, output current: 0.1 A or less	
Communication	Wireless	IEEE 802.11b/g/n, frequency: 2.4 GHz <sup>(4)</sup>	IEEE 802.11b/g/n, frequency: 2.4 GHz <sup>(4)</sup>
	Wired	Ethernet 10BASE-T, 100BASE-TX	
Size [mm]	50 (W) × 135 (D) × 180 (H)		
Mass [g]	450		
Material	Casing: Plastic		

(1) Use a UL Class 2 power supply. (2) For use of this product alone, at 20°C ambient temperature

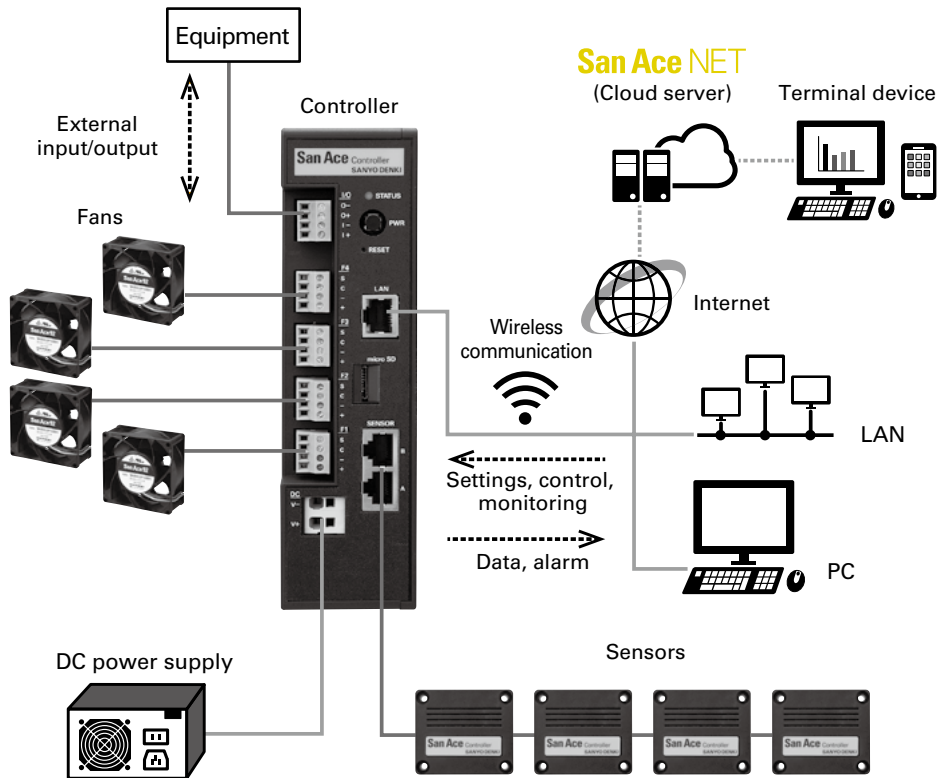
(3) Use our dedicated sensors (options). (4) Available channels: Ch. 1 to 11



## Front View



## System Configuration

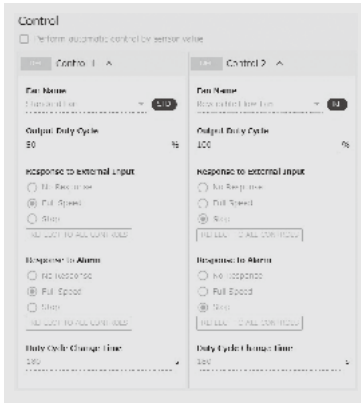


## Graphical User Interface (GUI) Screens

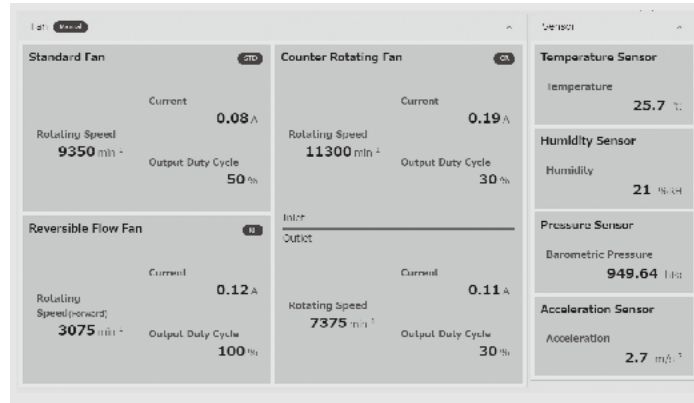
Settings, control, monitoring, and data download can be done through web browsers.

### Sample screens

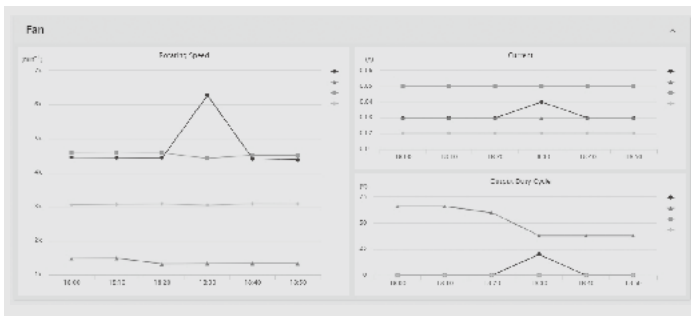
#### Control settings



#### Measurement data



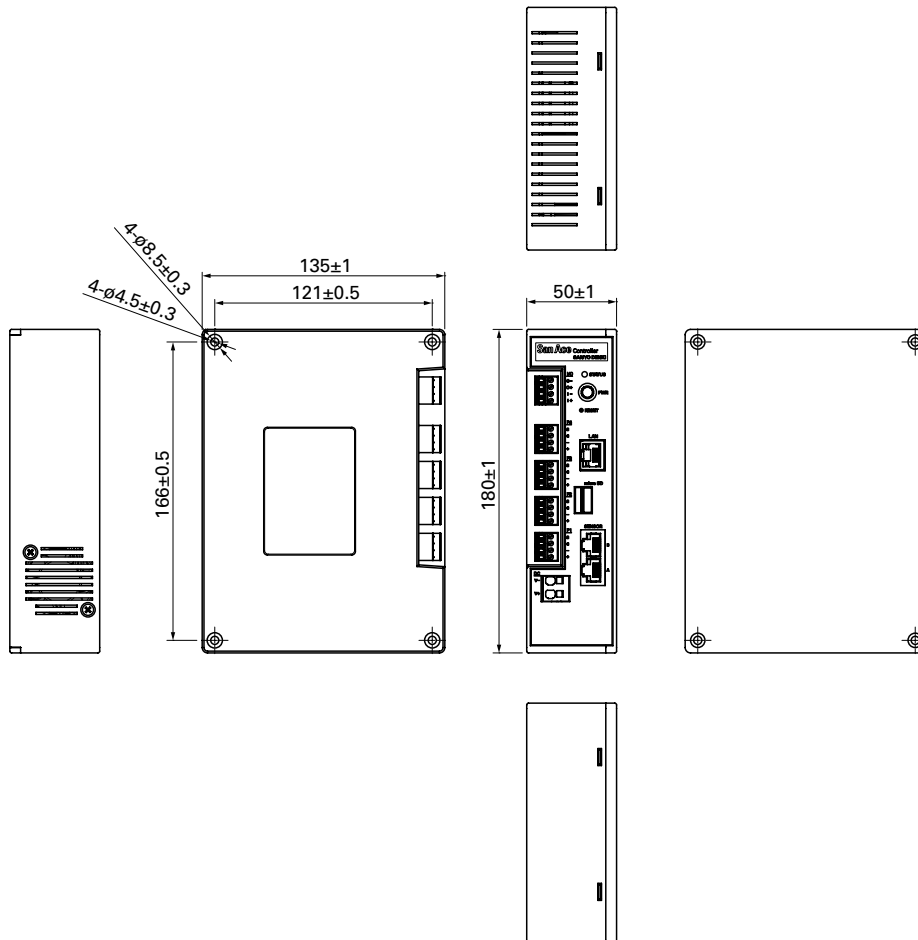
#### Graphs



#### Alarms

Alarm Type	Date	Action
F1 Fan Rotational Speed	2023/02/12 09:28:26	RELEASE
F2 Fan Rotational Speed	---	RELEASE
F3 Fan Rotational Speed	---	RELEASE
F1 Fan Current	2023/02/11 09:38:26	RELEASE
F2 Fan Current	---	RELEASE
F3 Fan Current	---	RELEASE
F1 Fan Overvoltage	---	RELEASE
F2 Fan Overvoltage	---	RELEASE
F3 Fan Overvoltage	---	RELEASE
F4 Fan Overcurrent	---	RELEASE
F5 Fan Overcurrent	---	RELEASE
F6 Fan Overcurrent	---	RELEASE

## Dimensions (unit: mm)



## Options

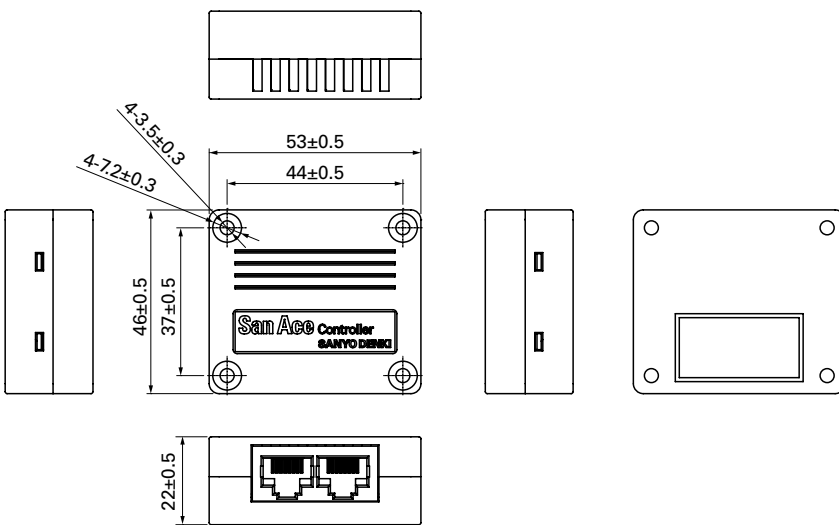
### Sensors

Sensor type	Temperature / Humidity sensor	Air pressure sensor	Accelerometer
Model no.	<b>9CT1-T</b>	<b>9CT1-P</b>	<b>9CT1-A</b>
Measurement range	Temperature: -20 to +70°C Humidity: 20 to 85% RH*	Air pressure: 800 to 1100 hPa	Acceleration: 0 to 60 m/s <sup>2</sup> **
Operating temperature range [°C]	-20 to +70		
Operating humidity range [% RH]	20 to 85*		
Size [mm]	53 (W)×46 (D)×22 (H)		
Mass [g]	35		
Material	Casing: Plastic		

\* Non-condensing \*\* Total acceleration from three axes



### Dimensions (unit: mm)



# PWM Controller

## Features

### Reduces system power consumption and fan noise

For PWM fan speed control, a PWM control circuit needs to be newly designed and configured.

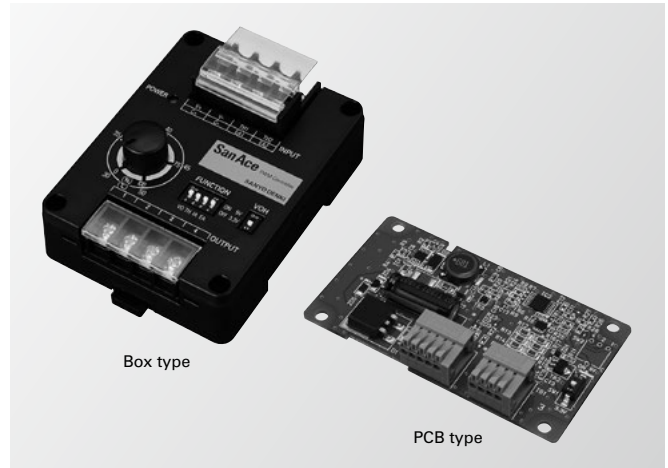
By using this product, however, PWM control function fans can be fully utilized without the need for preparing new circuits, contributing to reducing the system power consumption and the fan noise.

### Can be common-powered by the fan power supply

The controller can be powered by the fan power supply of rated voltage 12, 24, and 48 VDC, and no separate supply is required.

### Maximum of four fans connectable

Up to four fans with PWM control function can be connected and controlled.



## Specifications

### Box type

Model no.	<b>9PC8666X-S001</b>		<b>9PC8666X-S101</b>	
Size [mm]	86 (H)×66 (W)×38 (D)			
Rated voltage [V]	12/24/48			
Power consumption [W]	0.2 <sup>(1)</sup>			
Operating temperature [°C]	-20 to +70			
Input terminal	Input voltage range [V] (V+, V-)	7 to 60		
	Control voltage range [V]	0 to 5.5		
Output terminal	PWM signal output	V <sub>OH</sub> (high level voltage): 3.3 or 5 VDC selectable		
	PWM frequency [kHz]	25	1	
	Output current	20 mA max. (total sum of 4 terminals)		
	Output breakdown voltage [V]	6.5		
	No. of connectable fans	Up to 4 fans		
Control functions <sup>(2)</sup>	Voltage control, Internal adjustment (variable resistor) control, External adjustment (variable resistor) control <sup>(3)</sup> , Thermistor control <sup>(3)</sup>			
Mounting method	DIN rail mounting or screw mounting			
Mass [g]	110			
Material	Case: Plastic			

### PCB type

Model no.	<b>9PC8045D-V001</b>	<b>9PC8045D-R001</b>	<b>9PC8045D-T001</b>	<b>9PC8045D-V101</b>	<b>9PC8045D-R101</b>	<b>9PC8045D-T101</b>
Size [mm]	80 (H)×45 (W)×17 (D)					
Rated voltage [V]	12/24/48					
Power consumption [W]	0.2 <sup>(1)</sup>					
Operating temperature [°C]	-20 to +70					
Input terminal	Input voltage range [V] (V+, V-)	7 to 60				
	Control voltage range [V]	0 to 5.5				
Output terminal	PWM signal output	V <sub>OH</sub> (high level voltage): 3.3 or 5 VDC selectable				
	PWM frequency [kHz]	25	1			
	Output current	20 mA max. (total sum of 4 terminals)				
	Output breakdown voltage [V]	6.5				
	No. of connectable fans	Up to 4 fans				
Control functions	Voltage control	Variable resistor control <sup>(3)</sup>	Thermistor control <sup>(3)</sup>	Voltage control	Variable resistor control <sup>(3)</sup>	Thermistor control <sup>(3)</sup>
Mounting method	Screw mounting					
Mass [g]	27					
Material	PCB: FR-4					

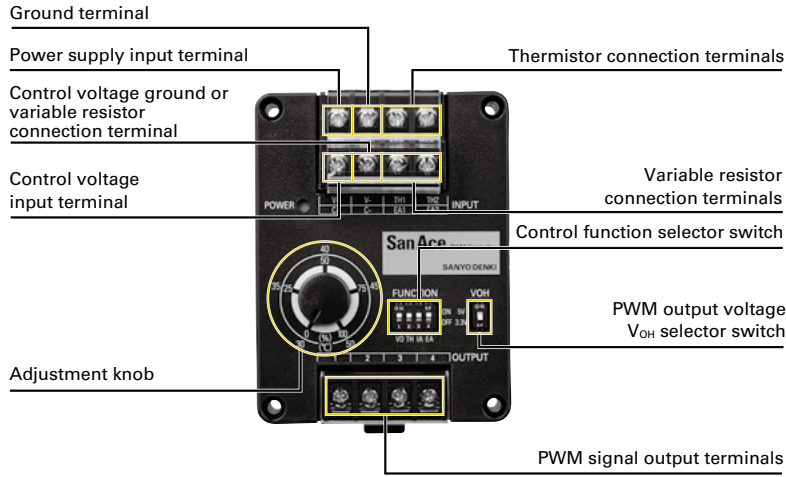
(1) When output terminals are turned on. (2) Control functions are mutually exclusive for Box type.

(3) Variable resistor and thermistor are not supplied with the controller and need to be prepared separately.

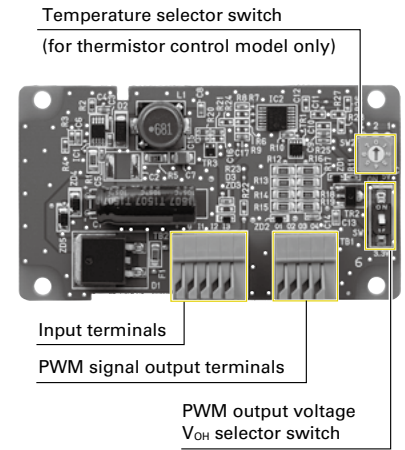
Be noted that if applied input voltage or frequency is out of range of the connected fan, how the fan speed responds to the PWM duty cycle may be altered.

## Front View (component names)

- Box type



- PCB type



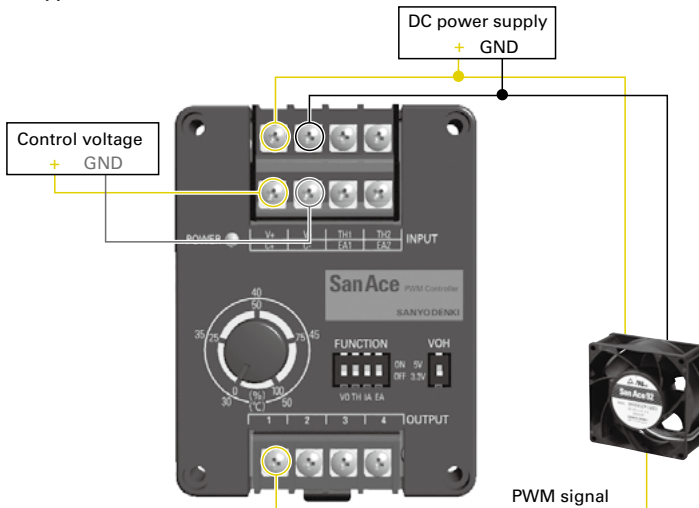
## Connection Examples and PWM Signal Output Characteristics

Controller can be common-powered by the power supply for 12, 24, and 48 VDC rated voltage fans. It can also be powered by a separate supply as long as both supplies share the same ground.

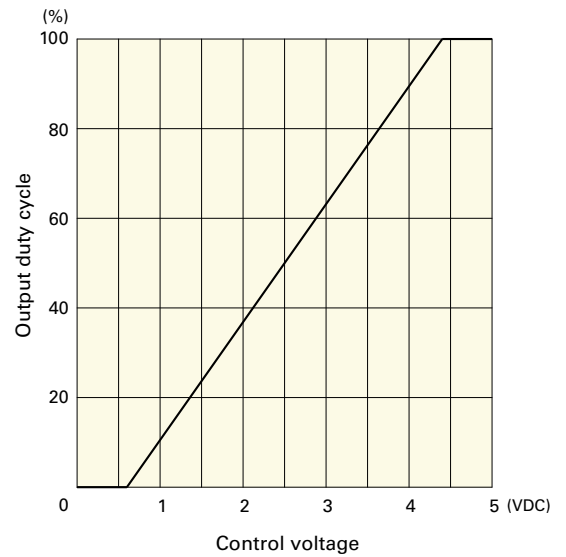
### Voltage control

Output duty cycle controlled with input voltage of 0 to 5 VDC. \*Ensure that the input voltage does not exceed 5.5 VDC.

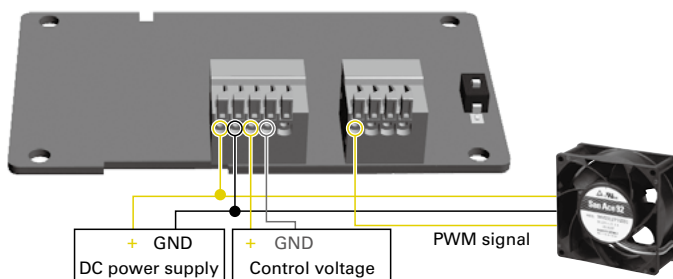
- Box type



Control Voltage - Output Duty Cycle Characteristics



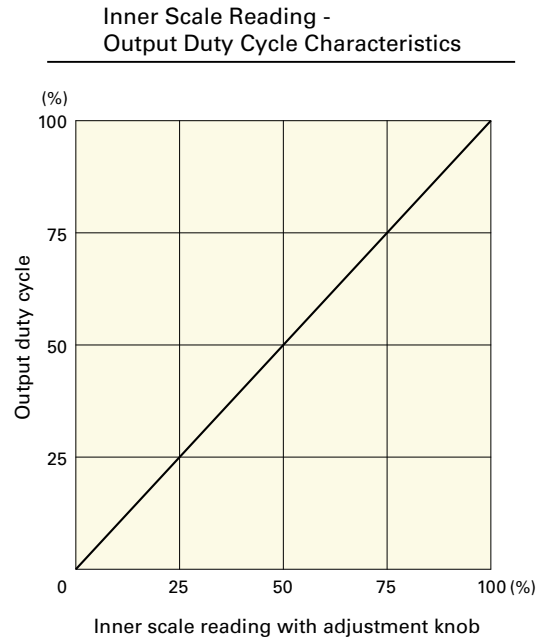
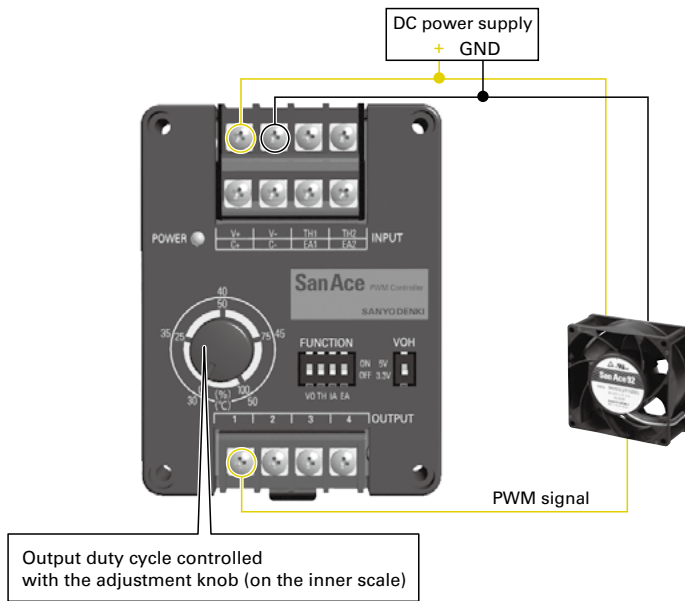
- PCB type (Model no.: 9PC8045D-V001)



## Internal adjustment (variable resistor) control

Output duty cycle controlled with the adjustment knob.

- Box type

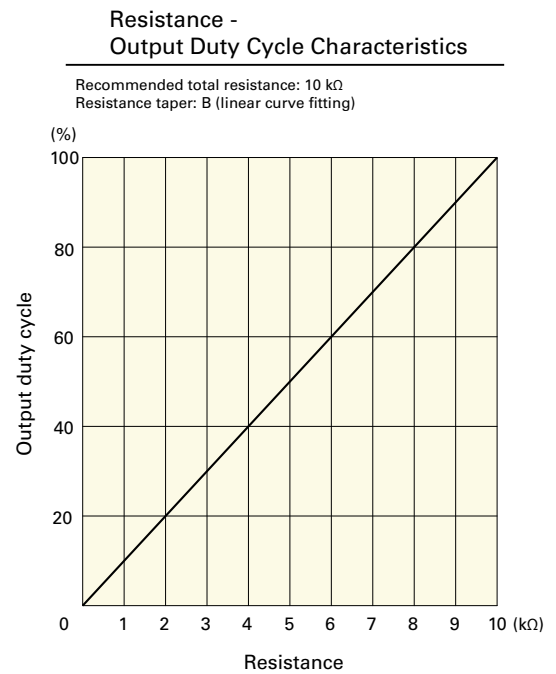
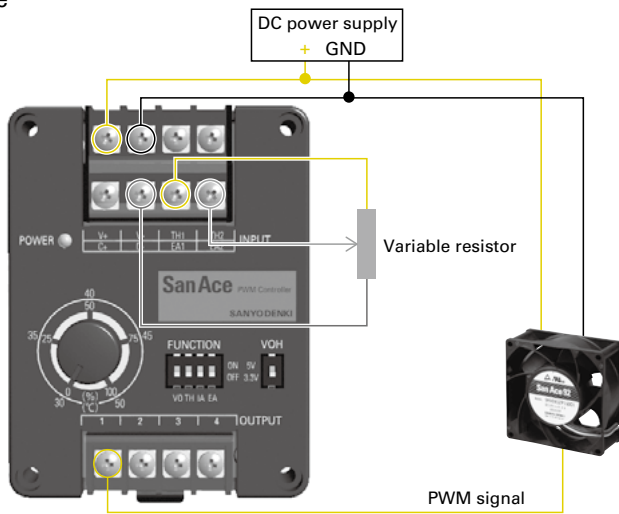


## PWM Controller

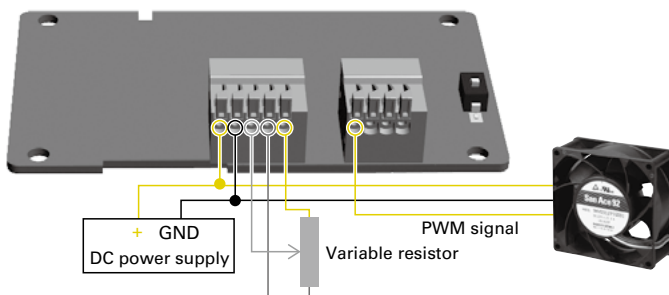
### External adjustment (variable resistor) control

Output duty cycle controlled with variable resistor connected to terminals.

- Box type



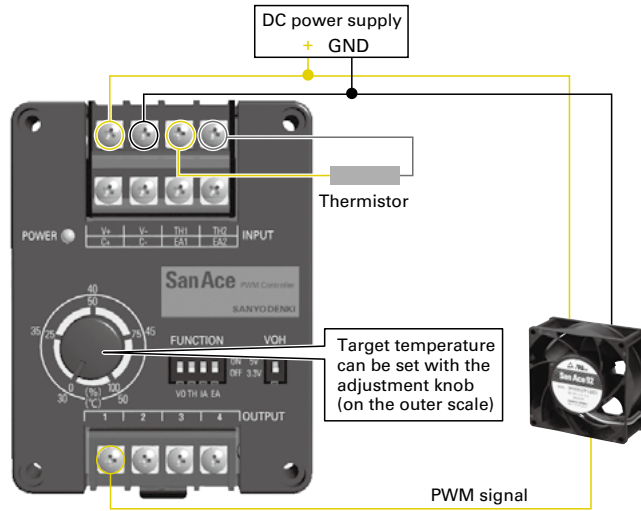
- PCB type (Model no.: 9PC8045D-R001)



## Thermistor control

Automation control of output duty cycle in response to the temperature detected with an external thermistor.

- Box type



### Controlling Conditions

$T_{ST}$ : Temperature set with the adjustment knob (30 to 50°C)

$T_{TH}$ : Temperature detected with thermistor

Recommended thermistor conditions

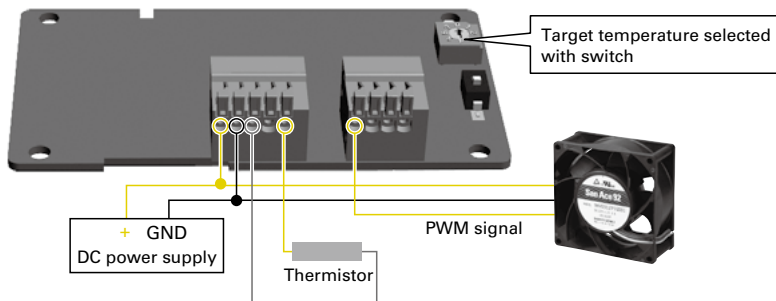
Type: NTC

$R_{25}$  (Resistance at 25°C): 10 kΩ

B value:  $B_{25/85} = 3435$  K

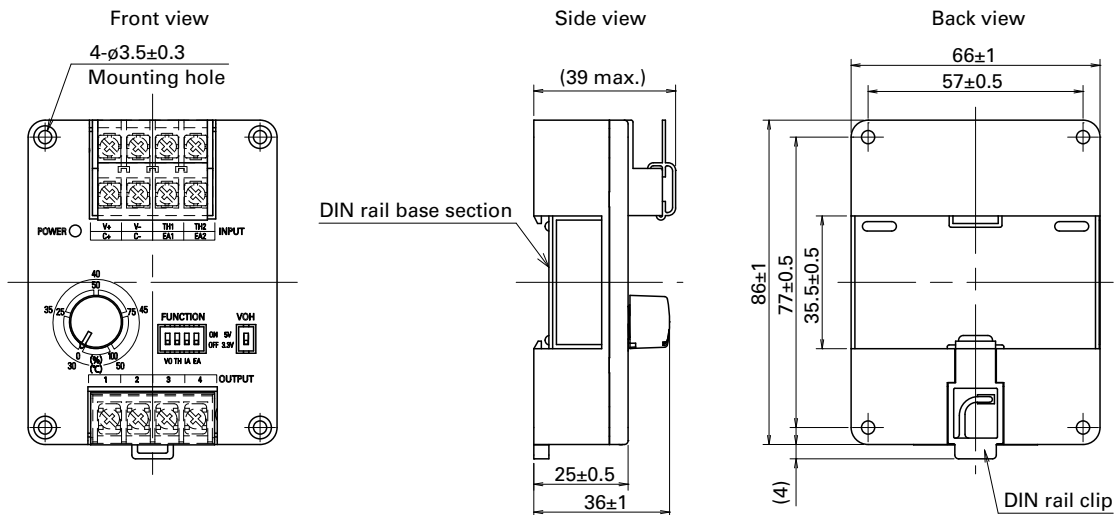
Temperature conditions	Duty cycle	Fan rotational speed (For reference)
$T_{ST} < T_{TH}$	Increases	Increases
$T_{ST} > T_{TH}$	Decreases	Decreases
$T_{ST} \approx T_{TH}$	Maintained	Maintained

- PCB type (Model no.: 9PC8045D-T001)

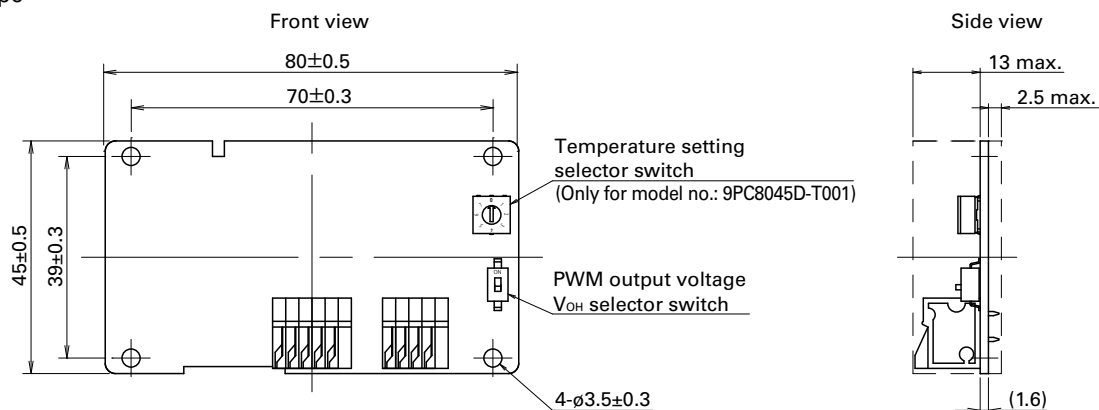


## Dimensions (unit: mm)

- Box type



- PCB type



# Airflow Tester

## Features (Patented as a movable measurement device for measuring device airflow and system impedance)

### Enables the selection of the optimal fan for a device

An optimal fan for a device can be selected by entering accurate measurement results into thermal design simulation software.

### Compact and lightweight

With a compact design and weight of approximately 6 kg, it is portable enough to measure immobile equipment.

## Measurement Functions

- System Impedance Measurement of the resistance to the flow of air within a device
- Operating Airflow Measurement of the actual airflow that passes through a device when a fan is mounted
- P-Q Performance Measurement of airflow versus static pressure characteristics\*

\* Performance curve that illustrates the characteristics of a fan for use within a certain system.

It shows the relationship between airflow and static pressure.



With connection duct mounted



## Specifications

Model no.		9AT2560S-000□*	9AT2560A-000□*	9AT2560C-000□*
Measurement units	Airflow	m <sup>3</sup> /min	CFM	CFM
	Static pressure	Pa	inchH <sub>2</sub> O	Pa
Measurement range	Airflow	0.20 to 8.00 m <sup>3</sup> /min	7 to 282 CFM	7 to 282 CFM
	Static pressure	0 to 1000 Pa	0 to 4.01 inchH <sub>2</sub> O	0 to 1000 Pa
Measurement accuracy	Airflow	±7% of maximum measurable airflow with each nozzle		
	Static pressure	±10 Pa (0.04 inchH <sub>2</sub> O) for measurement results < 200 Pa, ±50 Pa (0.20 inchH <sub>2</sub> O) for measurement results ≥ 200 Pa		
Operating environment	Ambient temperature	0 to 40°C		
	Humidity	20 to 85% RH (non-condensing)		
Display		Data no., Measurement values (airflow, static pressure**), Measurement status, Nozzle selection, Measurement mode selection		
Interface		Digital output: Included USB serial adapter		
Power supply	Input voltage	100 to 240 VAC, 50/60 Hz		
	Power consumption	260 VA max.		
Dimensions		600 (W)×250 (H)×250 (D) mm		
Mass		Main unit: Approx. 6 kg, Connection duct (including board holder): Approx. 1.5 kg		
Included peripherals		1 Set of measurement nozzles, Plastic mounting board (5 pcs / set), Connection duct, AC power cable (2.5 m), USB serial adapter, Instruction manual, Quick start guide, Data viewer software		

\* The AC power plug shape differs with the number in □ of model numbers.

AC power plug included in models with 1 in □ is for Japan and North America regions (2 parallel flat pins + a round grounding pin), Input voltage: 100/120 VAC, 50/60 Hz

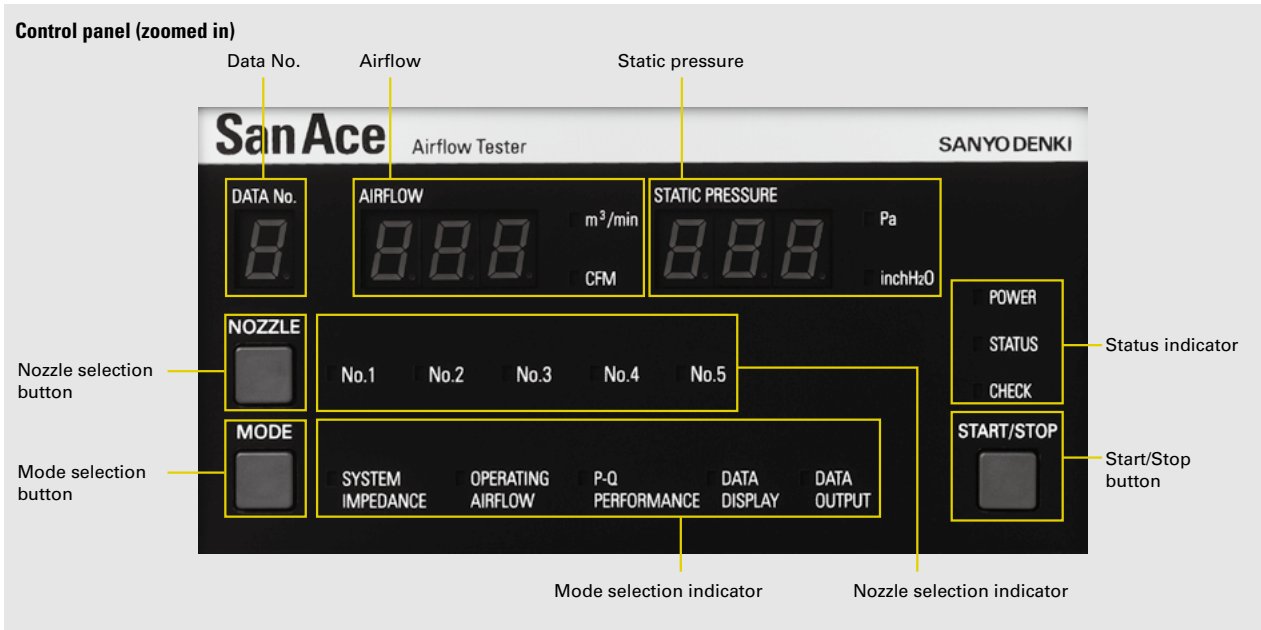
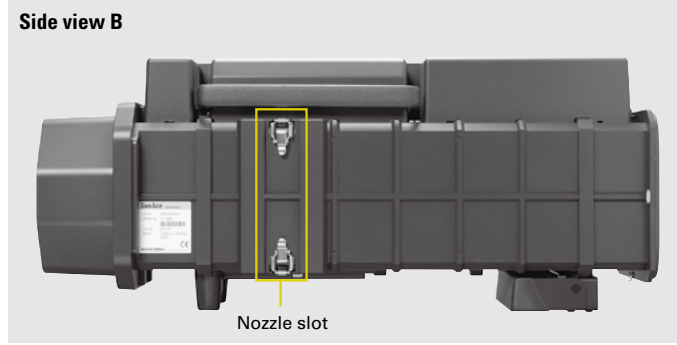
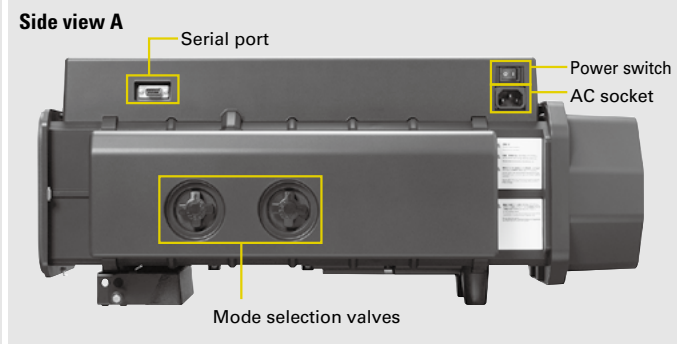
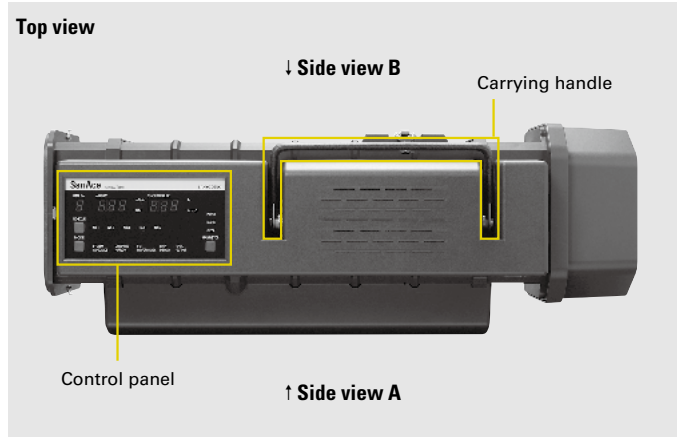
AC power plug included in models with 2 in □ is for Europe region (2 round pins + a female grounding contact), Input voltage: 220 VAC, 50 Hz

AC power plug included in models with 3 in □ is for China region (2 angled flat pins + a flat grounding pin), Input voltage: 220 VAC, 50 Hz

Product also available without an AC power cable. Model no. 9AT2560S-0000, 9AT2560A-0000, 9AT2560C-0000

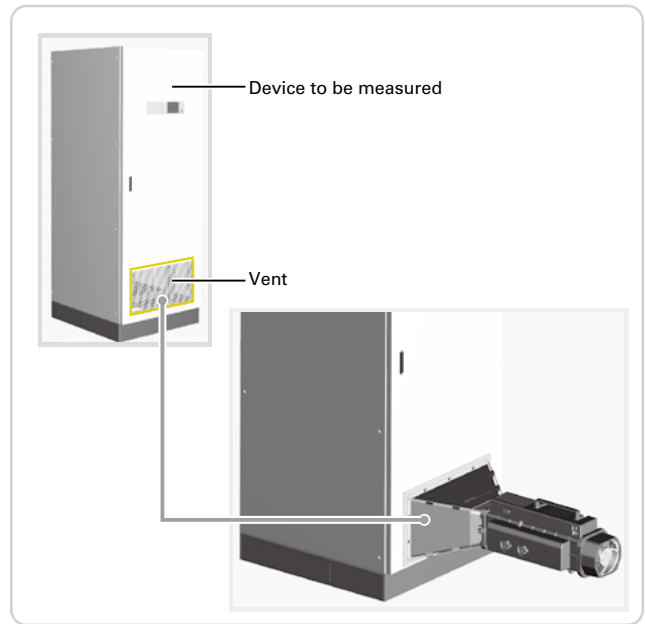
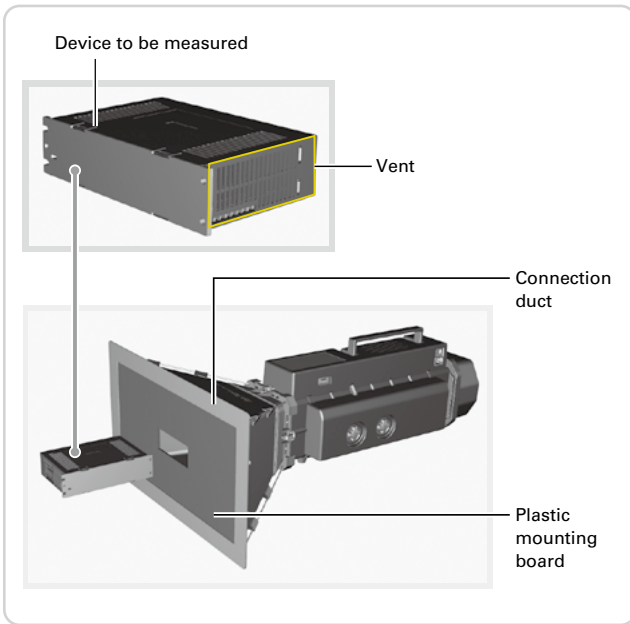
\*\* Static pressure values are calculated with standard atmosphere as 1013 hPa at 20°C.





**Usage Examples**

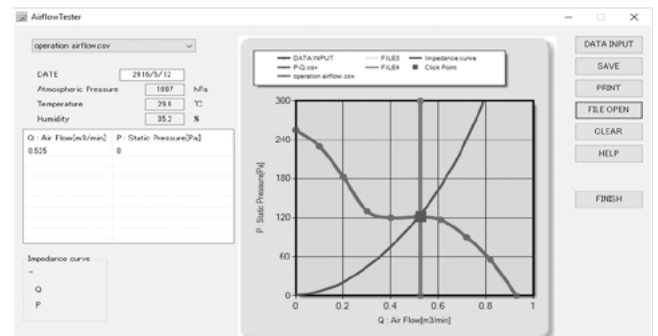
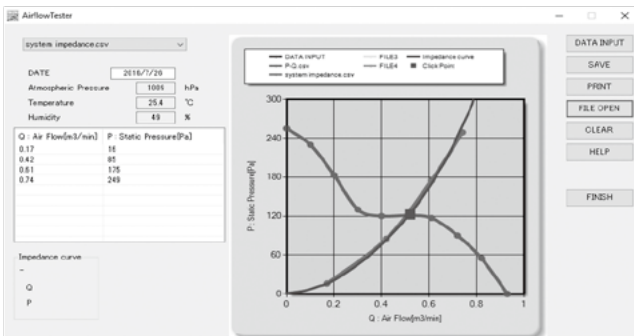
Cut out a hole in the mounting board matching the vent opening of the device to be measured, and place the mounting board firmly against the device to perform measurements.



**Data Viewer Software (included)**

Obtained measurement data can be represented as a graph and saved on a PC.

Screen examples P-Q performance shown below based on catalog data.



**Option**

**Carrying case** Measurement nozzle case included

<b>Model no.</b>	9AT2560-B001 Please add "CS" to the end of the model no. of Airflow Tester in page 1 when ordering Airflow Tester and carrying case as a set. e.g. 9AT2560S-0001CS
<b>Dimensions</b>	705 (W) × 385 (H) × 415 (D) mm

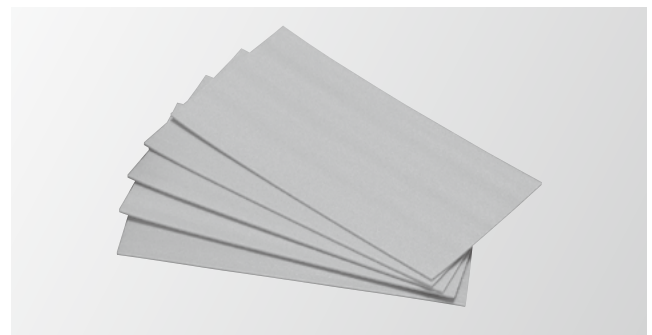


Carrying case, measurement nozzle case

**Plastic mounting boards**

Sized to fit the duct frame. Five boards included with Airflow Tester.

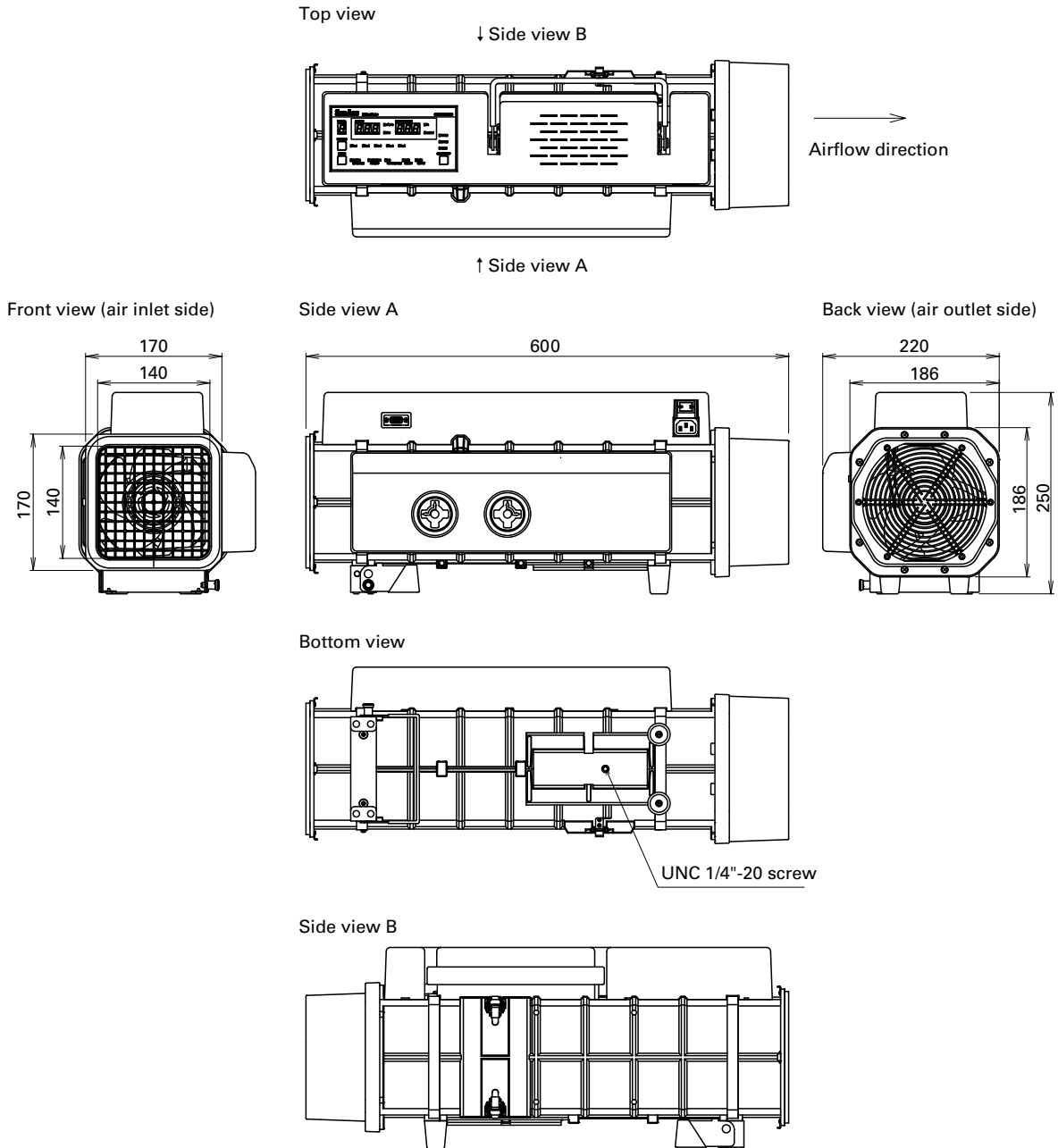
<b>Model no.</b>	9AT2560-P001
<b>Quantity</b>	5 pcs / set
<b>Dimensions</b>	525 (W) × 275 (H) × 4 (D) mm



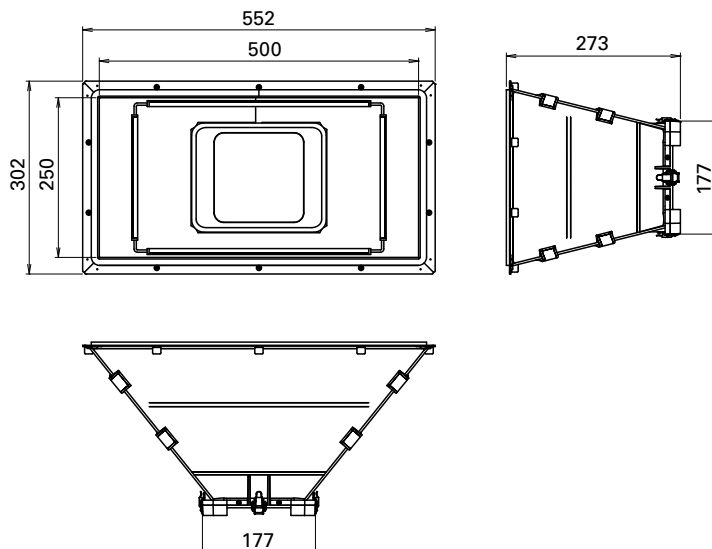
Plastic mounting boards (5 pcs)

■ Dimensions (unit: mm)

● Main unit



● Connection duct



# Cooling Fan Units

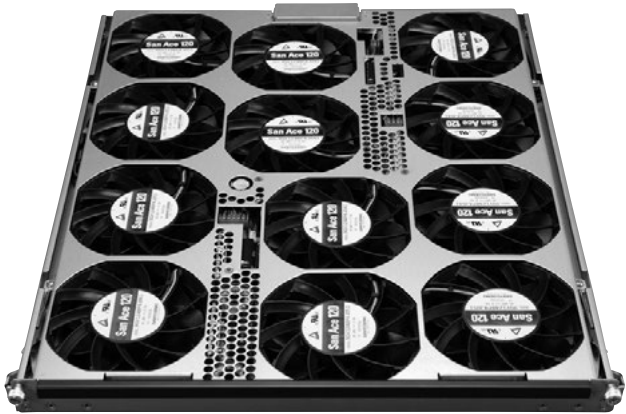
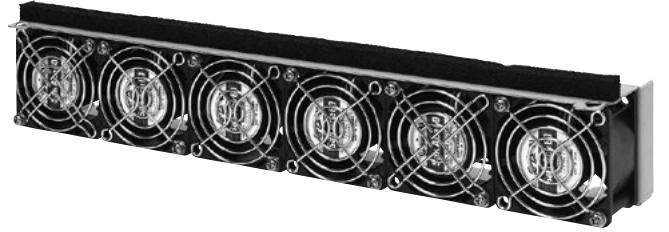
CUSTOMIZED PRODUCTS

## Features

DC AC

We provide assembled fan units in accordance with the specification or requirements of the equipment. For use in communications equipment, servers, storage systems.

## Example



Option

# Electrolytic Corrosion Proof Fans

CUSTOMIZED PRODUCTS → p. 580

## Features

DC AC

This cooling fan prevents electrolytic corrosion of bearings even under conditions where electromagnetic noise is generated. Electrolytic corrosion of ball bearings is prevented by using ceramic balls in ball bearings. The ceramic material is an insulating material. Manufacturable to meet specifications of all San Ace series fans.

Increases safety by preventing foreign objects from entering fans. Fans can be used with little effect on airflow and static pressure.

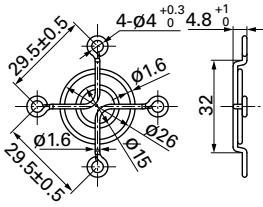
Size	Model no.	Mounting side	Surface treatment	
			Nickel-chrome plating (silver)	Cation electropainting (black)
<b>36 mm sq. type</b>	109-1050	Inlet side, Outlet side	✓	–
<b>38 mm sq. type</b>	109-1065	Inlet side, Outlet side	✓	–
<b>40 mm sq. type</b>	109-059	Inlet side, Outlet side	✓	–
	109-059H		–	✓
<b>52 mm sq. type</b>	109-149E	Inlet side, Outlet side	✓	–
	109-149	Outlet side	✓	–
<b>60 mm sq. type</b>	109-139E	Inlet side, Outlet side	✓	–
	109-139H		–	✓
<b>70 mm sq. type</b>	109-1128	Inlet side, Outlet side	✓	–
<b>80 mm sq. type</b>	109-049E	Inlet side, Outlet side	✓	–
	109-049H		–	✓
	109-049C	Outlet side	✓	–
<b>92 mm sq. type</b>	109-099C	Outlet side	✓	–
<b>∅92 mm type</b>	109-1147	Impeller side, Nameplate side	✓	–
<b>92 mm sq. type, ∅100 mm type</b>	109-099E	Inlet side, Outlet side	✓	–
	109-099H		–	✓
<b>120 mm sq. type</b>	109-019E	Inlet side, Outlet side	✓	–
	109-019K		–	✓
	109-019C	Outlet side	✓	–
	109-019H		–	✓
<b>127 mm sq. type, ∅175 mm type</b>	109-722	Inlet side, Outlet side	✓	–
	109-722H	Inlet side, Outlet side	–	✓
<b>127 mm sq. type</b>	109-723	Outlet side	✓	–
<b>∅133 mm type</b>	109-1112	Inlet side	✓	–
<b>∅136 mm type</b>	109-1139	Impeller side, Nameplate side	✓	–
<b>140 mm sq. type</b>	109-719	Inlet side, Outlet side	✓	–
	109-719H		–	✓
<b>150 mm sq. type</b>	109-1051	Inlet side, Outlet side	✓	–
	109-1052	Outlet side	✓	–
<b>∅150 mm type</b>	109-1104	Inlet side	✓	–
	109-1104H		–	✓
<b>160 mm sq. type</b>	109-619E	Inlet side, Outlet side	✓	–
	109-619H		–	✓
	109-620	Outlet side	✓	–
<b>∅172 mm Sidecut type</b>	109-319J	Inlet side, Outlet side	✓	–
<b>∅172 mm Sidecut, Round type</b>	109-319E	Inlet side, Outlet side	✓	–
	109-319H		–	✓
	109-320	Outlet side	✓	–
<b>∅172 mm Round type</b>	109-1066	Inlet side, Outlet side	✓	–
	109-1068	Outlet side	✓	–
<b>∅200 mm type</b>	109-1102*	Inlet side, Outlet side	✓	–
	109-1103*	Outlet side	✓	–
	109-720	Inlet side, Outlet side	✓	–
	109-720H		–	✓
	109-721	Outlet side	✓	–
	109-721H		–	✓
<b>∅221 mm type</b>	109-1138	Inlet side	✓	–
	109-1138H		–	✓
<b>∅225 mm type</b>	109-1137	Inlet side	✓	–
	109-1137H		–	✓
<b>270 mm sq. type (for Bracket-mounted Centrifugal Fan)</b>	109-1146	Inlet side	✓	–
	109-1146H		–	✓

\* Applicable model no.: 9GV20\*

**36 mm sq. type**

Model no.	Surface treatment	Mass (g)
109-1050	Nickel-chrome plating (silver)	4

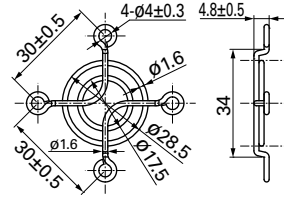
Inlet side, Outlet side



**38 mm sq. type**

Model no.	Surface treatment	Mass (g)
109-1065	Nickel-chrome plating (silver)	5

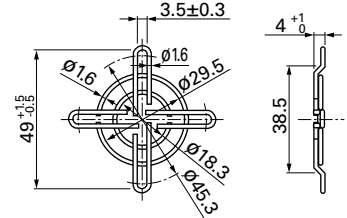
Inlet side, Outlet side



**40 mm sq. type**

Model no.	Surface treatment	Mass (g)
109-059	Nickel-chrome plating (silver)	7
109-059H	Cation electropainting (black)	

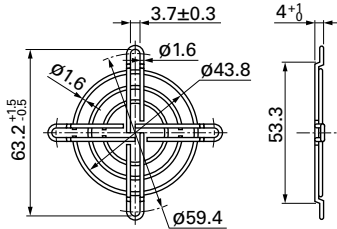
Inlet side, Outlet side



**52 mm sq. type**

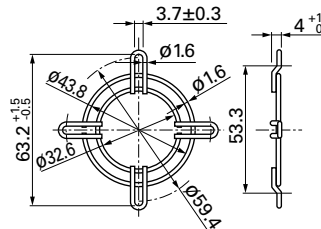
Model no.	Surface treatment	Mass (g)
109-149E	Nickel-chrome plating (silver)	9

Inlet side, Outlet side



Model no.	Surface treatment	Mass (g)
109-149	Nickel-chrome plating (silver)	7

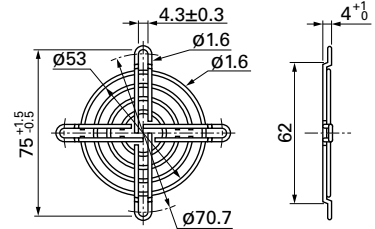
Outlet side



**60 mm sq. type**

Model no.	Surface treatment	Mass (g)
109-139E	Nickel-chrome plating (silver)	14.5
109-139H	Cation electropainting (black)	

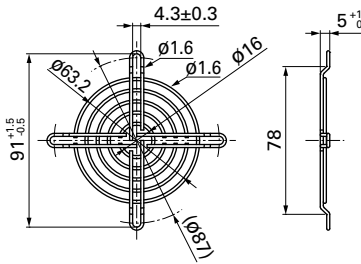
Inlet side, Outlet side



**70 mm sq. type**

Model no.	Surface treatment	Mass (g)
109-1128	Nickel-chrome plating (silver)	17

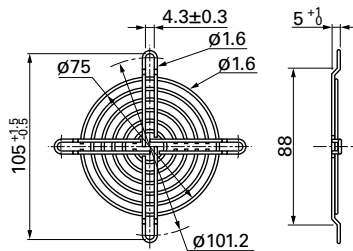
Inlet side, Outlet side



**80 mm sq. type**

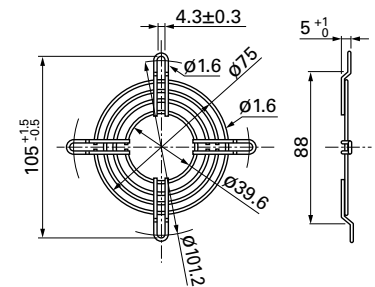
Model no.	Surface treatment	Mass (g)
109-049E	Nickel-chrome plating (silver)	21
109-049H	Cation electropainting (black)	

Inlet side, Outlet side



Model no.	Surface treatment	Mass (g)
109-049C	Nickel-chrome plating (silver)	17

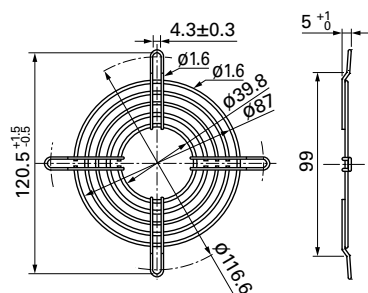
Outlet side



**92 mm sq. type**

Model no.	Surface treatment	Mass (g)
109-099C	Nickel-chrome plating (silver)	22

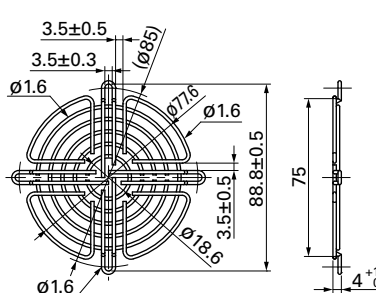
Outlet side



**∅92 mm type**

Model no.	Surface treatment	Mass (g)
109-1147	Nickel-chrome plating (silver)	23

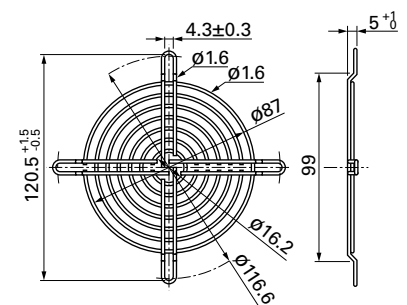
Impeller side, Nameplate side



**92 mm sq., ∅100 mm type**

Model no.	Surface treatment	Mass (g)
109-099E	Nickel-chrome plating (silver)	29
109-099H	Cation electropainting (black)	

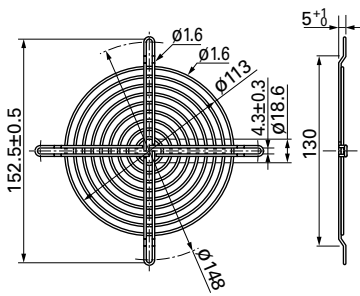
Inlet side, Outlet side



**120 mm sq. type**

Model no.	Surface treatment	Mass (g)
109-019E	Nickel-chrome plating (silver)	42
109-019K	Cation electropainting (black)	

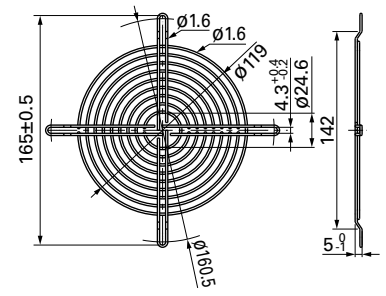
Inlet side, Outlet side



**127 mm sq., Ø175 mm type**

Model no.	Surface treatment	Mass (g)
109-722	Nickel-chrome plating (silver)	43
109-722H	Cation electropainting (black)	

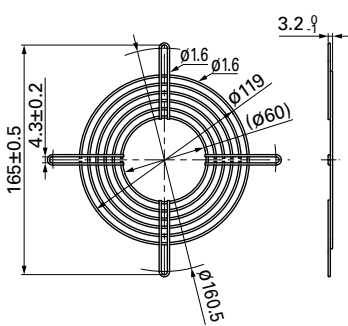
Inlet side, Outlet side



**127 mm sq. type**

Model no.	Surface treatment	Mass (g)
109-723	Nickel-chrome plating (silver)	34

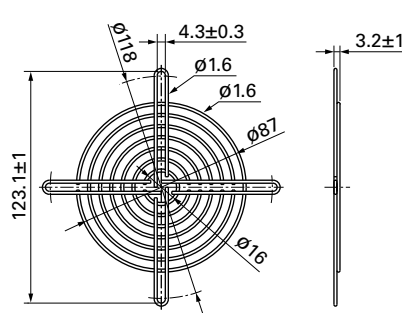
Outlet side



**Ø133 mm type**

Model no.	Surface treatment	Mass (g)
109-1112	Nickel-chrome plating (silver)	65

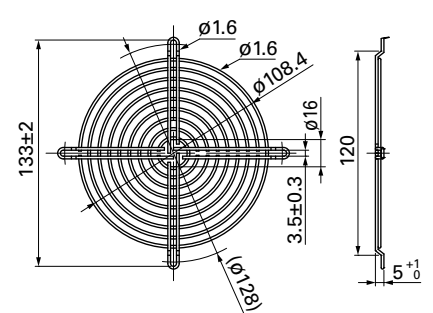
Inlet side



**Ø136 mm type**

Model no.	Surface treatment	Mass (g)
109-1139	Nickel-chrome plating (silver)	41

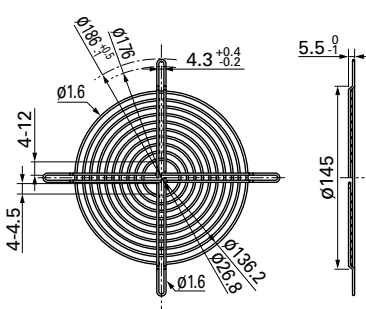
Impeller side, Nameplate side



**140 mm sq. type**

Model no.	Surface treatment	Mass (g)
109-719	Nickel-chrome plating (silver)	51
109-719H	Cation electropainting (black)	

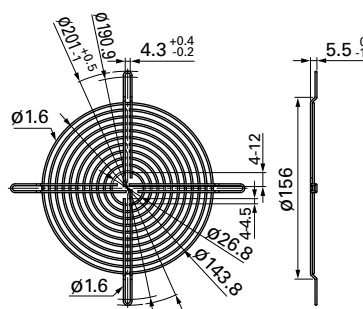
Inlet side, Outlet side



**150 mm sq. type**

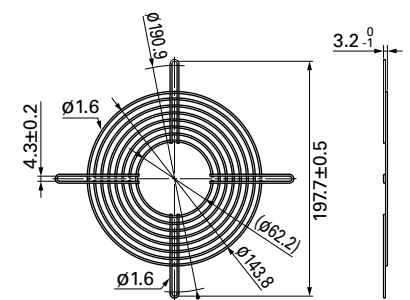
Model no.	Surface treatment	Mass (g)
109-1051	Nickel-chrome plating (silver)	63

Inlet side, Outlet side



Model no.	Surface treatment	Mass (g)
109-1052	Nickel-chrome plating (silver)	53

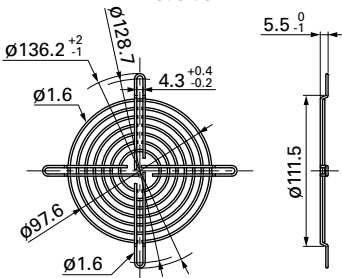
Outlet side



**Ø150 mm type**

Model no.	Surface treatment	Mass (g)
109-1104	Nickel-chrome plating (silver)	31
109-1104H	Cation electropainting (black)	

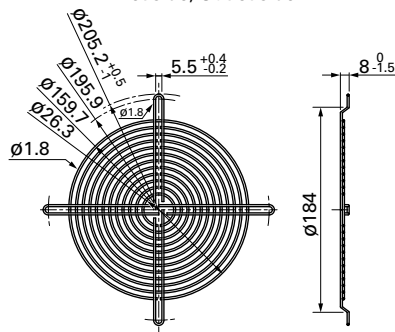
Inlet side



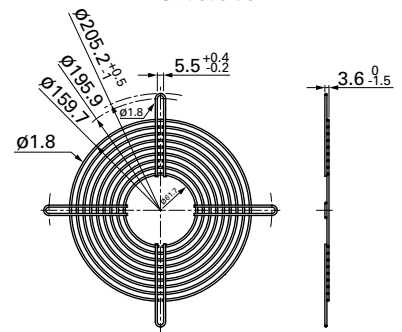
**160 mm sq. type**

Model no.	Surface treatment	Mass (g)
109-619E	Nickel-chrome plating (silver)	85
109-619H	Cation electropainting (black)	

Inlet side, Outlet side



Outlet side

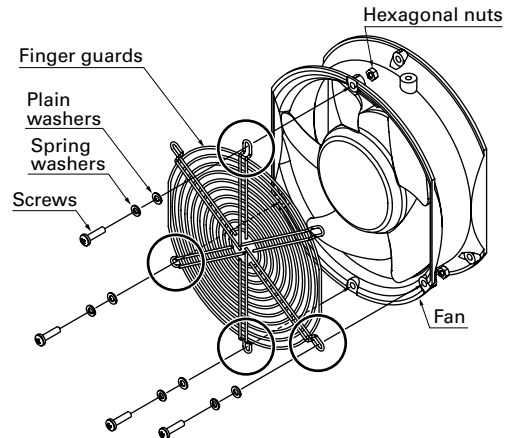
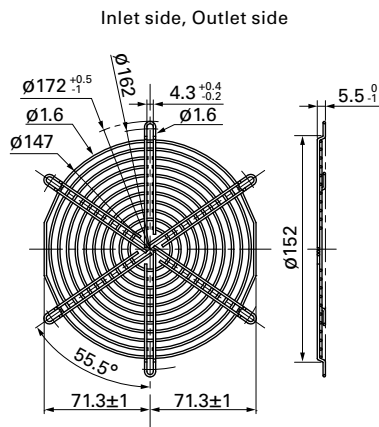


Option

**ø172 mm Sidecut type**

Model no.	Surface treatment	Mass (g)	Applicable model no.
109-319J	Nickel-chrome plating (silver)	65	9SG57*/9GV57* 9CR57*/9WG57*

Finger guard 109-319J should be mounted with four holes as in the drawing.



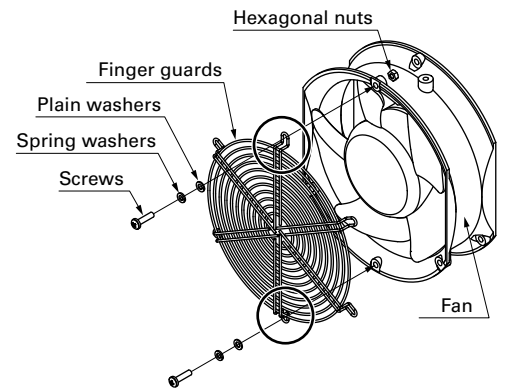
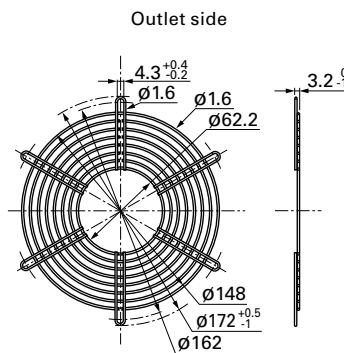
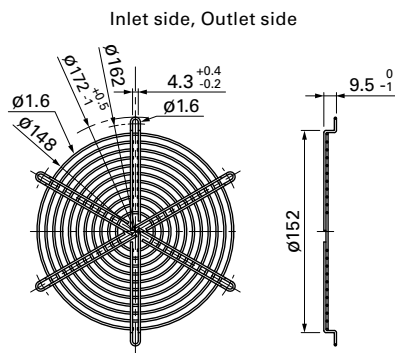
●No nuts or screws for use in attachment included.

**ø172 mm Sidecut, Round type**

Model no.	Surface treatment	Mass (g)
109-319E	Nickel-chrome plating (silver)	69
109-319H	Cation electropainting (black)	

Model no.	Surface treatment	Mass (g)
109-320	Nickel-chrome plating (silver)	53

Finger guards 109-319E, 109-319H, and 109-320 should be mounted with two holes as in the drawing and do not use any other holes.



●No nuts or screws for use in attachment included.

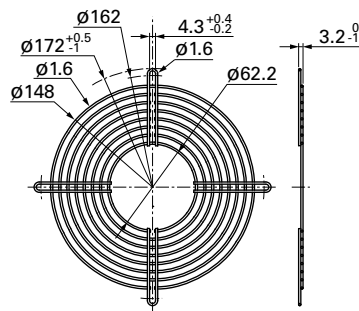
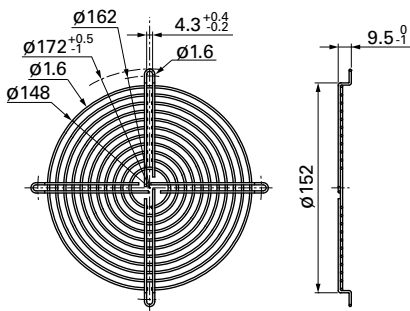
**ø172 mm Round type**

Model no.	Surface treatment	Mass (g)
109-1066	Nickel-chrome plating (silver)	61

Model no.	Surface treatment	Mass (g)
109-1068	Nickel-chrome plating (silver)	54

Inlet side, Outlet side

Outlet side

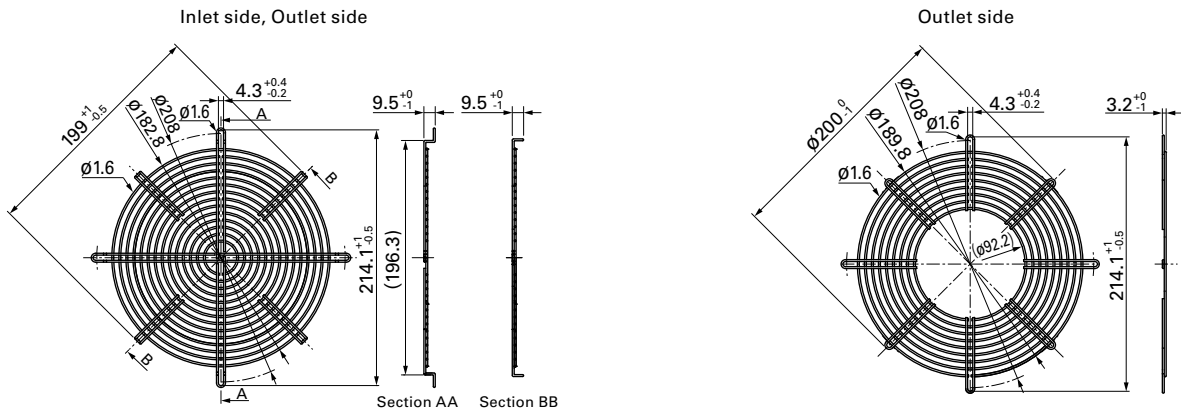




**∅200 mm type**

Model no.	Surface treatment	Mass (g)	Applicable model no.
109-1102	Nickel-chrome plating (silver)	100	9GV20*

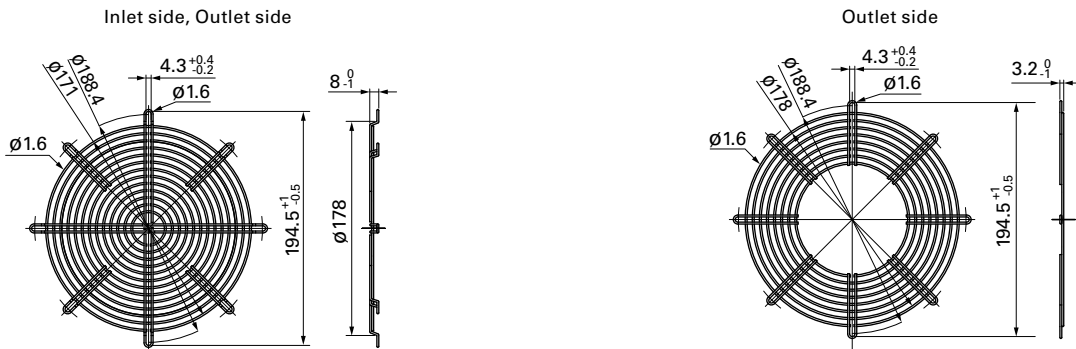
Model no.	Surface treatment	Mass (g)	Applicable model no.
109-1103	Nickel-chrome plating (silver)	80	9GV20*



**∅200 mm type**

Model no.	Surface treatment	Mass (g)	Applicable model no.
109-720	Nickel-chrome plating (silver)	84	109E20*
109-720H	Cation electropainting (black)		9EC20*

Model no.	Surface treatment	Mass (g)	Applicable model no.
109-721	Nickel-chrome plating (silver)	66	109E20*
109-721H	Cation electropainting (black)		9EC20*

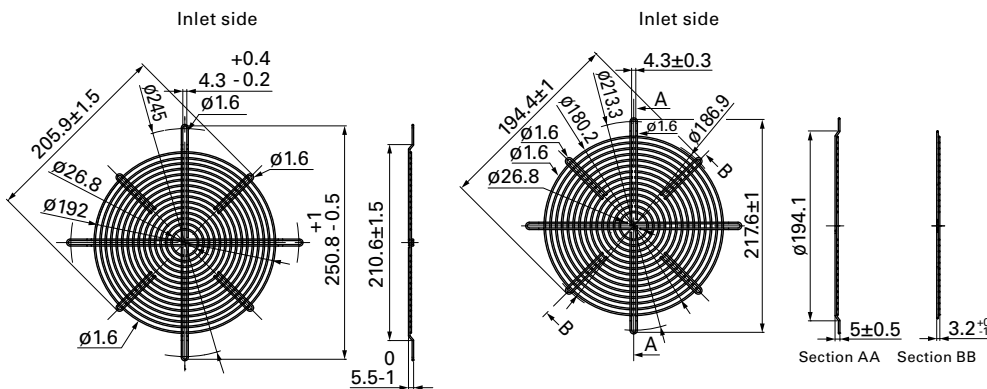


**∅221 mm type**

Model no.	Surface treatment	Mass (g)
109-1138	Nickel-chrome plating (silver)	105
109-1138H	Cation electropainting (black)	

**∅225 mm type**

Model no.	Surface treatment	Mass (g)
109-1137	Nickel-chrome plating (silver)	94
109-1137H	Cation electropainting (black)	

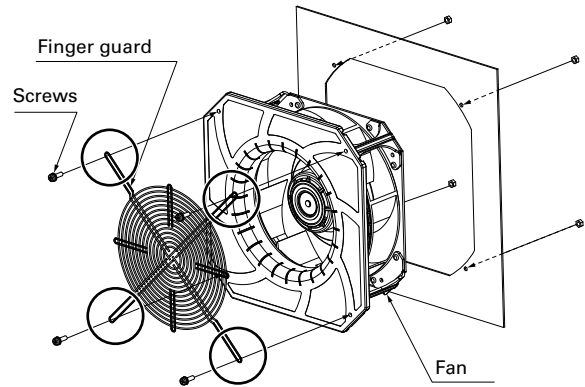
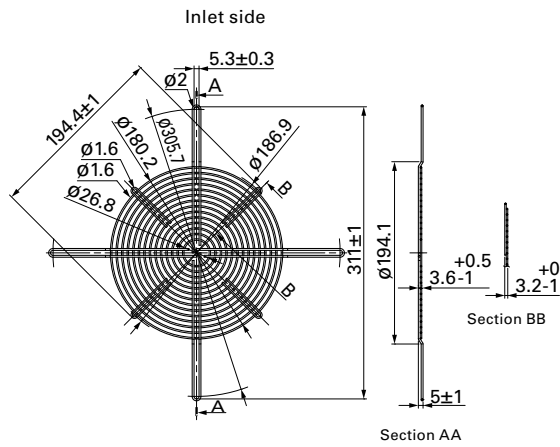


Option

**270 mm sq. type (for Bracket-mounted Centrifugal Fan)**

Model no.	Surface treatment	Mass (g)
109-1146	Nickel-chrome plating (silver)	106
109-1146H	Cation electropainting (black)	

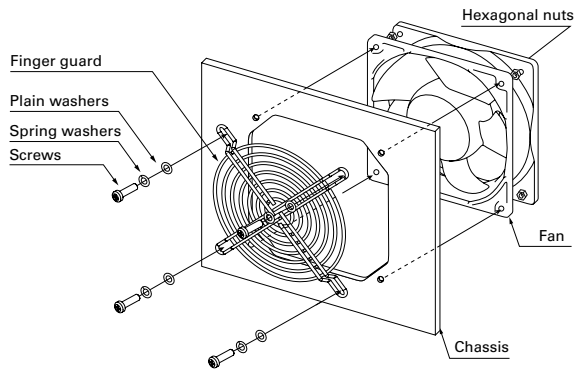
Finger guard 109-1146 and 109-1146H should be mounted with four holes as in the drawing.



●No nuts or screws for use in attachment included.

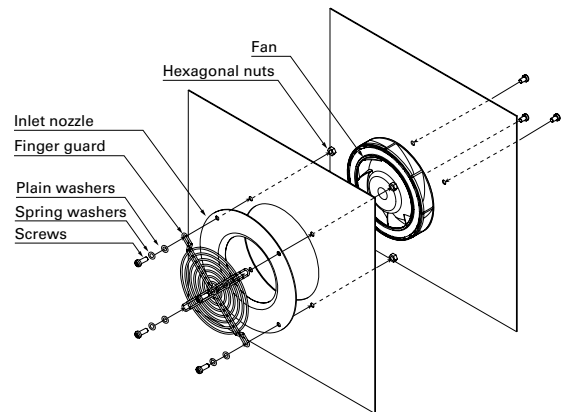
**Mounting example**

Axial fan



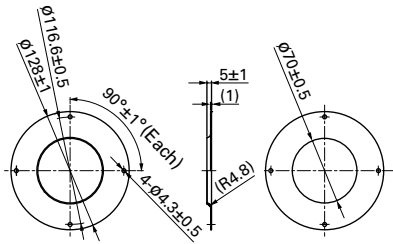
●No nuts or screws for use in attachment included.

Centrifugal fan

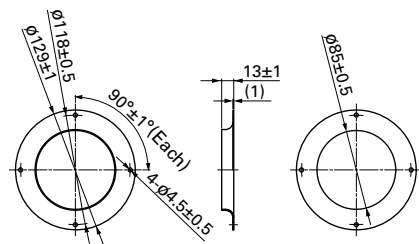


Nozzle mounted in fan inlet side to adjust the flow of introduced air. Material: Steel sheet

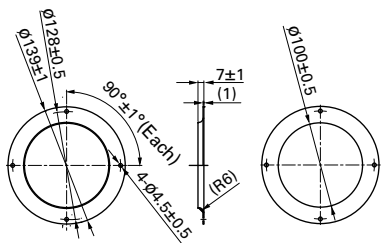
ø100 mm type		
Model no.	Surface treatment	Mass (g)
109-1080	Electro nickel plating (silver)	80
109-1080H	Cation electropainting (black)	



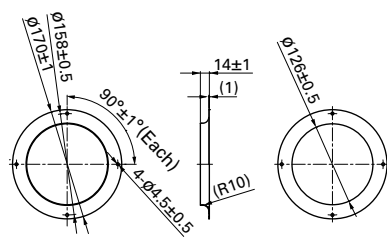
ø133 mm type		
Model no.	Surface treatment	Mass (g)
109-1069	Electro nickel plating (silver)	76
109-1069H	Cation electropainting (black)	



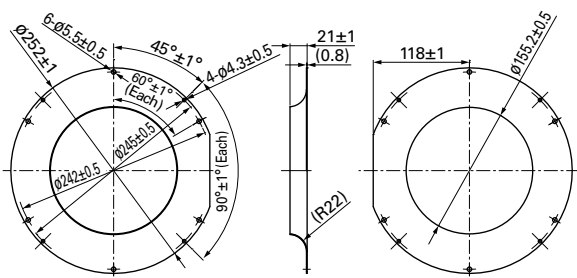
ø150 mm type		
Model no.	Surface treatment	Mass (g)
109-1081	Electro nickel plating (silver)	70
109-1081H	Cation electropainting (black)	



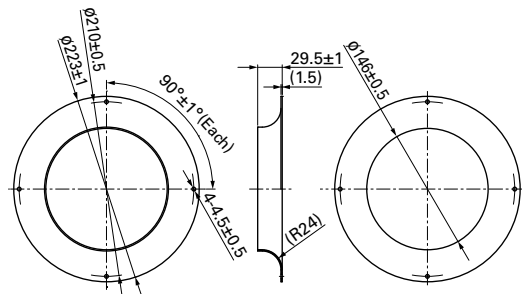
ø175 mm type		
Model no.	Surface treatment	Mass (g)
109-1073	Electro nickel plating (silver)	100
109-1073H	Cation electropainting (black)	



ø221 mm type		
Model no.	Surface treatment	Mass (g)
109-1135	Electro nickel plating (silver)	230
109-1135H	Cation electropainting (black)	



ø225 mm type		
Model no.	Surface treatment	Mass (g)
109-1134	Electro nickel plating (silver)	360
109-1134H	Cation electropainting (black)	



Option

**EMC guards** Dimensions (unit: mm)

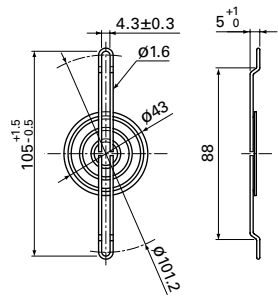
DC

It is a metallic piece that protects materials from the adverse effects of electromagnetic noise sources. It provides electromagnetic shielding. It is attached to the casing of a device by means of the fan fixing screw (s). Ground the devices equipped with an EMC guard. Rust may occur if used in wet environments.

**80 mm sq. type**

Model no.	Surface treatment	Mass (g)
109-1038	Nickel-chrome plating (silver)	14

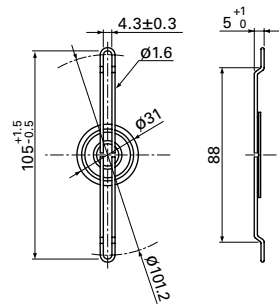
Representative fans model numbers	Dimensions of fans (mm)
109P08*	80×80×20
9GV08*	80×80×25
9GV08*	80×80×38
9HV08*	
9HVA08*	



**80 mm sq. type**

Model no.	Surface treatment	Mass (g)
109-1039	Nickel-chrome plating (silver)	10

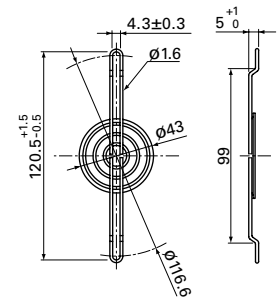
Representative fans model numbers	Dimensions of fans (mm)
109P08*	80×80×15
9GA08*	80×80×20
109R08*	80×80×25
9A08*	
9GA08*	80×80×32
9GA08*	
9G08*	80×80×38
9GA08*	



**92 mm sq. type**

Model no.	Surface treatment	Mass (g)
109-1040	Nickel-chrome plating (silver)	15

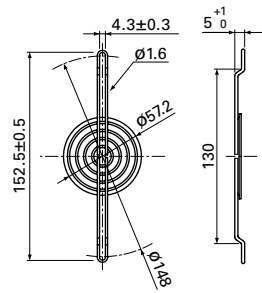
Representative fans model numbers	Dimensions of fans (mm)
9G09*	92×92×32
9G09*	92×92×38
9GV09*	
9GA09*	



**120 mm sq. type**

Model no.	Surface treatment	Mass (g)
109-1037	Nickel-chrome plating (silver)	26

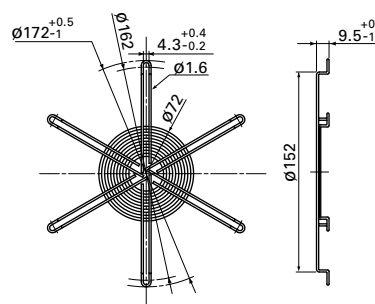
Representative fans model numbers	Dimensions of fans (mm)
9G12*	120×120×25
9GV12*	
9GL12*	120×120×38
9G12*	
9GV12*	
9HV12*	
9LG12*	



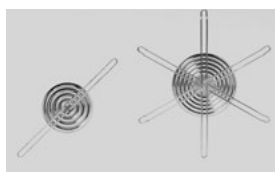
**Ø172 mm type**

Model no.	Surface treatment	Mass (g)
109-1036	Nickel-chrome plating (silver)	49

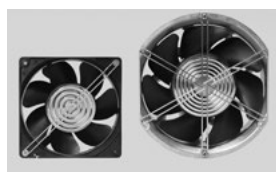
Representative fans model numbers	Dimensions of fans (mm)
109E47*	Ø172×25
109L17*	Ø172×51
9GV57*	
109E17*	
109E57*	
9SG57*	



Option



EMC guard

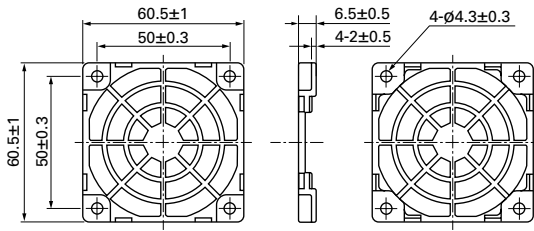


attached to a cooling fan

Material Frame: Resin (PPE+PS) UL file no. E82268 94V-0

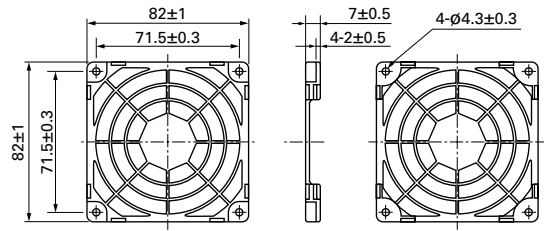
**60 mm sq. type**

Model no.	Mass (g)
109-1003G	7



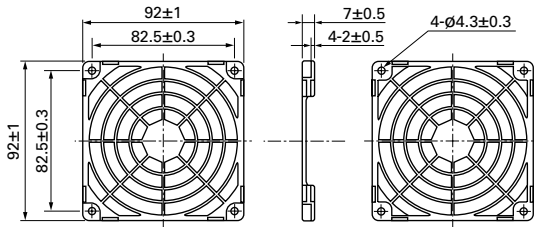
**80 mm sq. type**

Model no.	Mass (g)
109-1002G	10



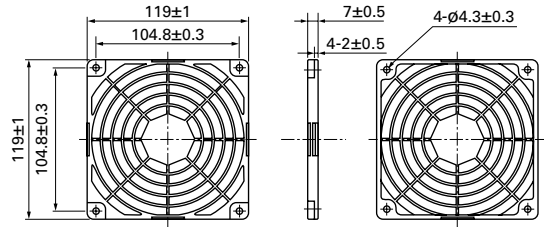
**92 mm sq. type**

Model no.	Mass (g)
109-1001G	12



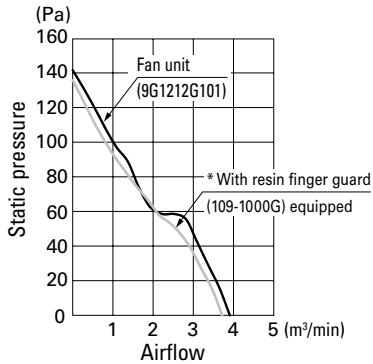
**120 mm sq. type**

Model no.	Mass (g)
109-1000G	23



**Airflow - Static pressure characteristics**

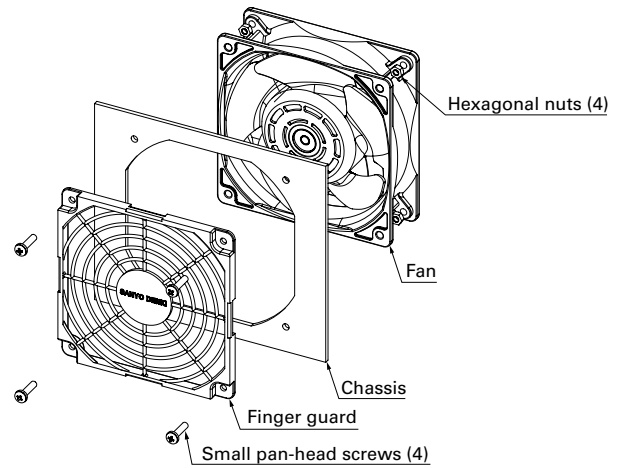
Measured with our double chamber measuring device (120 mm sq. type)



Applied voltage: 12 VDC

\* Finger guard is attached on air inlet side of fan.

**Mounting example**



- Operating temperature limit is between -20 to +70°C. (non condensing)
- Plastic finger guards are placed on both the intake and exhaust sides of the fan.
- No nuts or screws for use in attachment included.

Option

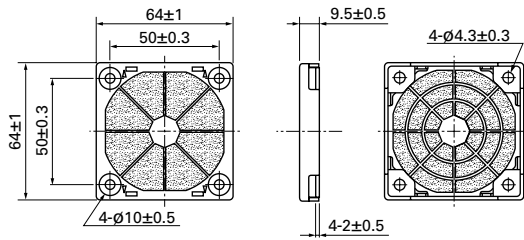
**Resin filter kits** Dimensions (unit: mm)

DC AC

Material Guard, cover: Resin (PPE+PS) UL file no. E82268 94V-0 Filter: Polyurethane foam UL file no. E74916 (S) 94HF-1  
 PPI: Particles Per Inch Indicates the number of holes per inch. Note that the higher the number, the finer the grain of the sponge.

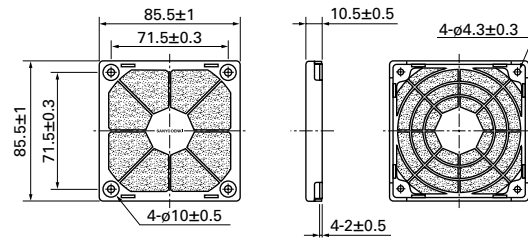
**60 mm sq. type**

Model no.	Mass (g)
109-1003F13 (13 PPI)	11
109-1003F20 (20 PPI)	
109-1003F30 (30 PPI)	
109-1003F40 (40 PPI)	
Replacement filter model no.	Quantity
109-1003M13 (13 PPI)	5
109-1003M20 (20 PPI)	
109-1003M30 (30 PPI)	
109-1003M40 (40 PPI)	



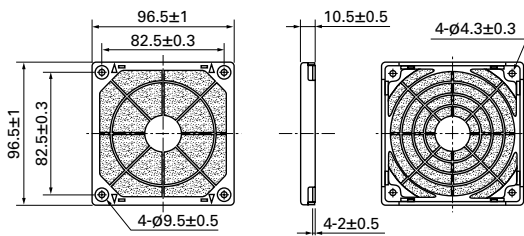
**80 mm sq. type**

Model no.	Mass (g)
109-1002F13 (13 PPI)	19
109-1002F20 (20 PPI)	
109-1002F30 (30 PPI)	
109-1002F40 (40 PPI)	
Replacement filter model no.	Quantity
109-1002M13 (13 PPI)	5
109-1002M20 (20 PPI)	
109-1002M30 (30 PPI)	
109-1002M40 (40 PPI)	



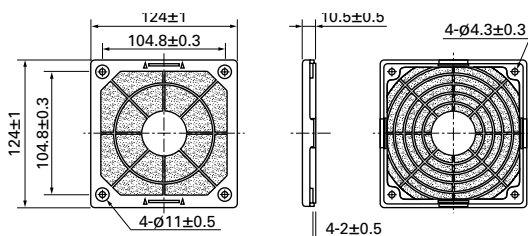
**92 mm sq. type**

Model no.	Mass (g)
109-1001F13 (13 PPI)	25
109-1001F20 (20 PPI)	
109-1001F30 (30 PPI)	
109-1001F40 (40 PPI)	
Replacement filter model no.	Quantity
109-1001M13 (13 PPI)	5
109-1001M20 (20 PPI)	
109-1001M30 (30 PPI)	
109-1001M40 (40 PPI)	



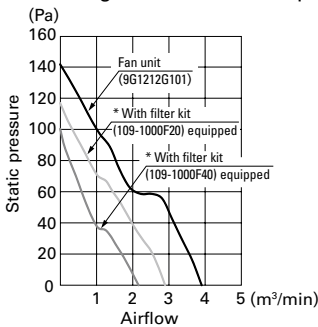
**120 mm sq. type**

Model no.	Mass (g)
109-1000F13 (13 PPI)	44
109-1000F20 (20 PPI)	
109-1000F30 (30 PPI)	
109-1000F40 (40 PPI)	
Replacement filter model no.	Quantity
109-1000M13 (13 PPI)	5
109-1000M20 (20 PPI)	
109-1000M30 (30 PPI)	
109-1000M40 (40 PPI)	



**Airflow - Static pressure characteristics**

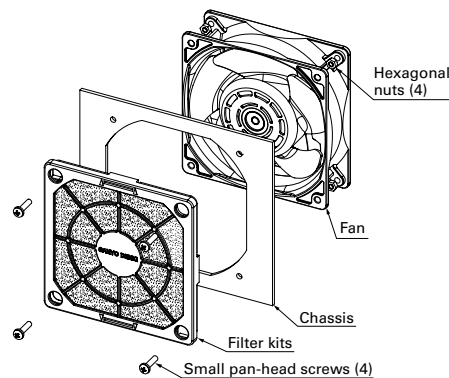
Measured with our double chamber measuring device (120 mm sq. type)



Applied voltage: 12 VDC

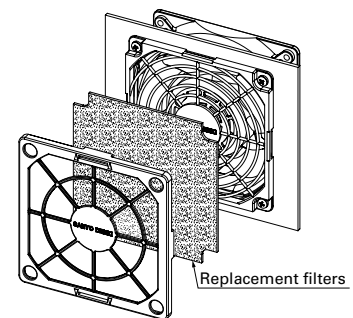
\* Filter kit is attached on air inlet side of fan.

**Mounting example**



**Filter replacement (example)**

Replacement filters can be replaced by taking off the front part of the filter kit. There is no need to remove the screws.



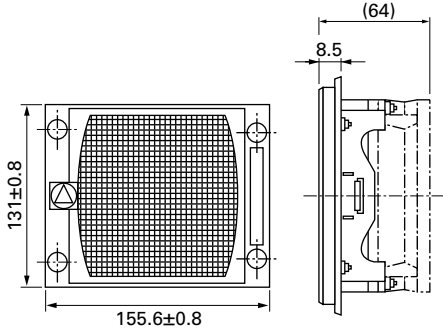
Option

- Filter kit is one of the option to keep air in the chassis clean filtering dust in external atmosphere when pulling-air cooling is implemented. The filter kit is hooked up through mounting hole of fan frame with screw as well as finger guard. Some performances (airflow & static pressure) of the fan motor decreases when filter kit is hooked up.
- This Filter Kit is composed of 3 components, including a guard, a filter and a cover. It is delivered as a finished product at delivery, saving assembly time when mounting. It can be mounted by inserting a screw in the apertures of the cover.
- The filter and cover can be easily removed from the guard with one touch. There is no need for fan removal when undertaking maintenance. ● Operating temperature limit is between -10 to +60°C. (non condensing)
- The filter will deteriorate with age, and the level of deterioration will vary upon usage conditions. Please be aware that the filter has a greater tendency to deteriorate under high temperature and humidity. For long-term storage, please store under the temperature range of 10 to 30°C, humidity range of 20 to 65%. Usage and storage period is approximately 2 years.
- Cooling ability decreases with filter contamination due to clogging. Filter replacement is recommended approximately every six months of usage. Please replace the filter if deterioration or clogging is seen at inspection.
- When replacing the filter, please use genuine SANYO DENKI filters. ● Do not water-wash the filter.
- Avoid use and storage under high temperature or humidity, direct sunlight or exposure to ultraviolet light, or in corrosive gas. ● No nuts or screws for use in attachment included.

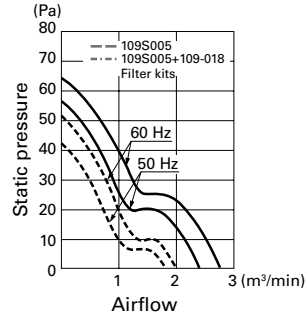
Neither filter kit can be installed on ACDC fans, or AC fans with sensors. Please evaluate it by assembly filter kits on the device.

Model no.	Material	Mass (g)
109-018	Steel Wire Mesh: Stainless 16-mesh nets in 3 layers Cover: Resin Metal fittings: Steel (chromate-plated)	182

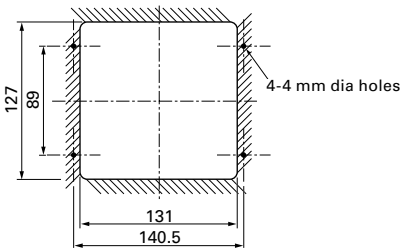
**Dimensions**



**Airflow - Static Pressure Characteristics**  
(Measured with our double chamber measuring device)

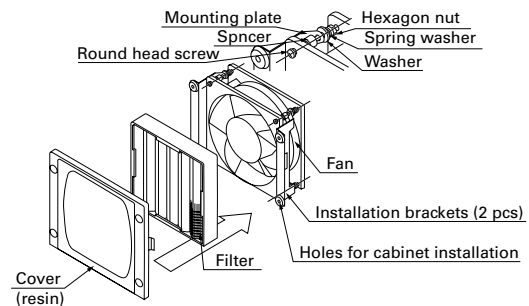


**Reference Dimensions of Mounting Holes**



●The parts shown in the installation diagram (nuts, washers, and screws) are included.

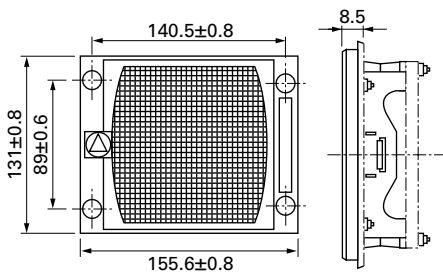
**Mounting Example**



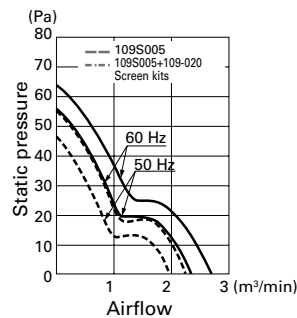
Neither screen kit can be installed on ACDC fans, or AC fans with sensors.

Model no.	Material	Mass (g)
109-020	Steel Wire Mesh: Stainless 16-mesh nets in 1 layers Cover: Resin Metal fittings: Steel (chromate-plated)	135

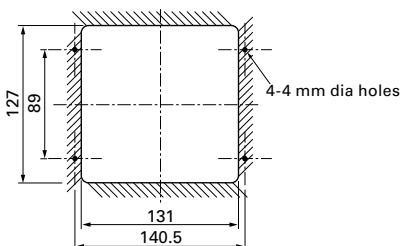
**Dimensions**



**Airflow - Static Pressure Characteristics**  
(Measured with our double chamber measuring device)

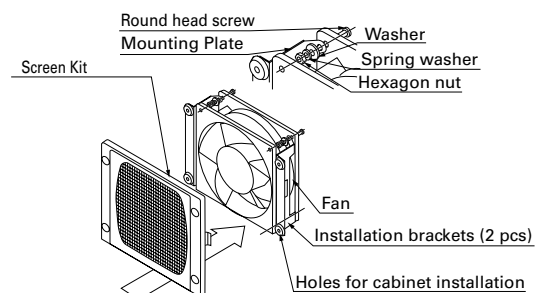


**Reference Dimensions of Mounting Holes**



●The parts shown in the installation diagram (nuts, washers, and screws) are included.

**Mounting Example**

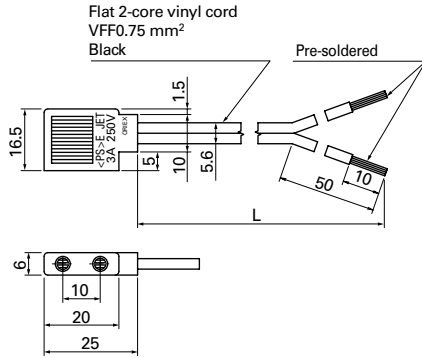


Option

Products compliant with electrical appliance and material safety law

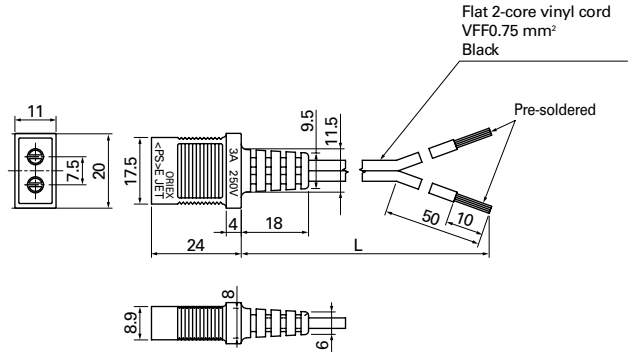
For 80×80×42 mm

Model no.	Power cord length [L] (mm)	Mass (g)
489-008-L10	1000	30
489-008-L21	2100	61
489-008-L35	3500	99



For 80×80×25 mm, 80×80×38 mm, 92×92×25 mm, 120×120×25 mm

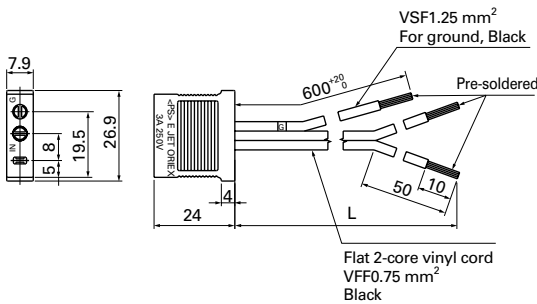
Model no.	Power cord length [L] (mm)	Mass (g)
489-016-L10	1000	34
489-016-L21	2100	64



For 120×120×38 mm (not including AC/DC fan)

Model no.	Power cord length [L] (mm)	Mass (g)
489-006-L10	1000	47
489-006-L21	2100	76
489-006-L35	3500	114

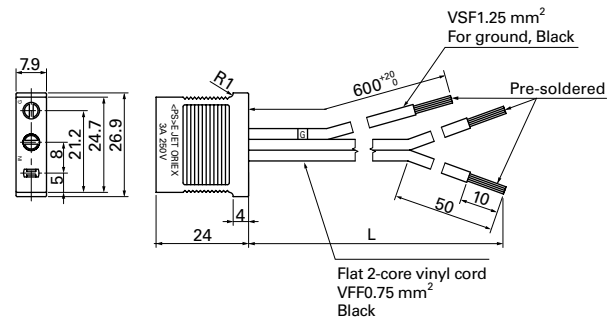
(Exclusive for fans without UL at the end of the model number.)



For 120×120×38 mm (not including AC/DC fan)

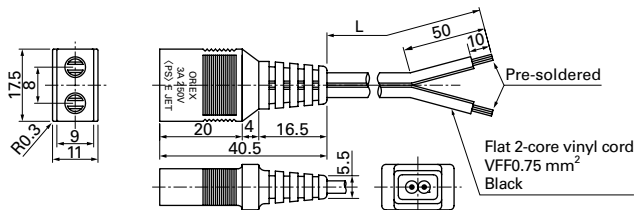
Model no.	Power cord length [L] (mm)	Mass (g)
489-037-L10	1000	46
489-037-L21	2100	76
489-037-L35	3500	114

(Exclusive for fans with UL at the end of the model number.)



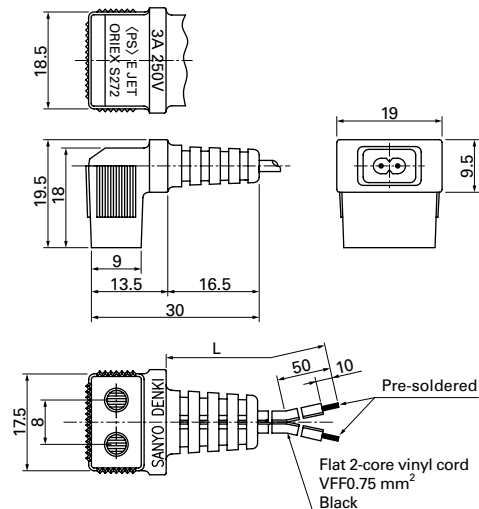
For 160×160×51 mm

Model no.	Power cord length [L] (mm)	Mass (g)
489-1618-L10	1000	34
489-1618-L21	2100	63
489-1618-L28	2800	83



For ø172×51 mm, ø172×150×51 mm, 160×160×51 mm

Model no.	Power cord length [L] (mm)	Mass (g)
489-1619-L10	1000	34
489-1619-L21	2100	64



Option

● Be careful not to damage the plug/cord when taking them out of the package.

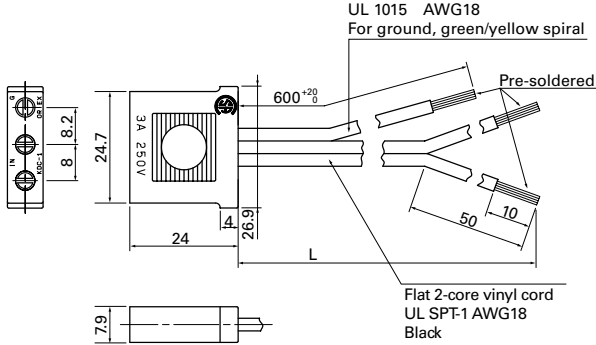


**UL/CSA certified UL file no.: E50197 CSA file no.: LR67048**

**For 120×120×38 mm (not including AC/DC fan)**

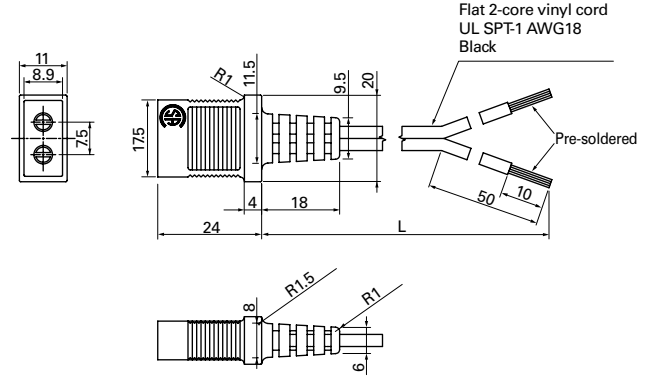
Model no.	Power cord length [L] (mm)	Mass (g)
489-007-L10	1000	48
489-007-L21	2100	80

(Exclusive for fans with UL at the end of the model number.)



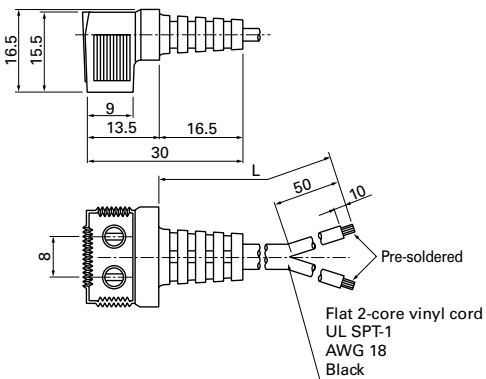
**For 80×80×25 mm, 80×80×38 mm, 92×92×25 mm, 120×120×25 mm**

Model no.	Power cord length [L] (mm)	Mass (g)
489-047-L10	1000	38
489-047-L21	2100	71



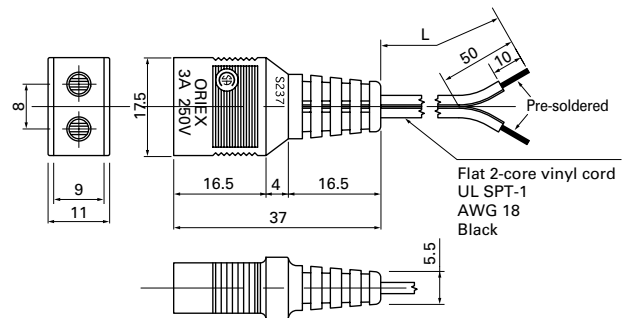
**For ∅172×51 mm, ∅172×150×51 mm, 160×160×51 mm**

Model no.	Power cord length [L] (mm)	Mass (g)
489-084-L10	1000	37
489-084-L21	2100	70



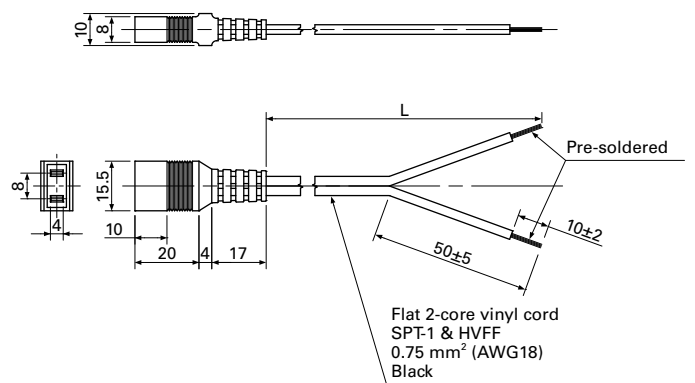
**For 160×160×51 mm**

Model no.	Power cord length [L] (mm)	Mass (g)
489-086-L10	1000	37
489-086-L21	2100	70



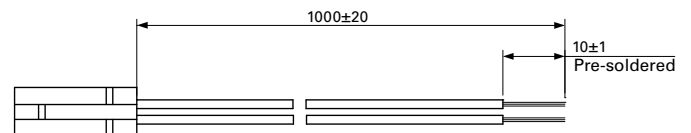
**Products compliant with electrical appliance and material safety law, UL/CSA [c-UL] certified UL file no.E43202**

Model no.	Power cord length [L] (mm)	Mass (g)
489-1635-L10	1000	38
489-1635-L21	2100	74



**Wiring Harness for Sensor**

Model no.	Mass (g)
489-1636	9



●Be careful not to damage the plug/cord when taking them out of the package.

Option

## Recommended connectors for DC fans

DC

Manufacturer	2 pins Housing model number	3 pins Housing model number	4 pins Housing model number	Contact model number
MOLEX	22-01-1022:P/N 5051-02	22-01-1032:P/N 5051-03 22-01-3037:P/N 2695-03RP	22-01-1042:P/N 5051-04	08-70-0064:P/N 5159T
				08-70-0048:P/N 5159PBT
				39-00-0372:P/N 2759T
	43025-0200	—	43025-0400	43030-0001
	51191-0200	51191-0300	51191-0400	43030-0002
50-37-5023:P/N 5264-02	50-37-5033:P/N 5264-03	50-37-5043:P/N 5264-04	43030-0003	
Tyco Electronics	51191-0200	51191-0300	51191-0400	50802-9001
	50-37-5023:P/N 5264-02	50-37-5033:P/N 5264-03	50-37-5043:P/N 5264-04	08-70-1039:P/N 5263PBT
Tyco Electronics	39-01-2020:P/N 5557-02R	—	39-01-2040:P/N 5557-04R	39-00-0059:P/N 5556PBT
	171822-2	171822-3	171822-4	39-00-0038:P/N 5556T
Tyco Electronics	179228-2	179228-3	179228-4	170262-1
	179228-2	179228-3	179228-4	179227-1
Hirose	DF1B-2EP-2.5RC	DF1B-3EP-2.5RC	—	DF1B-2428PCF
	DF3-2EP-2C	DF3-3EP-2C	DF3-4EP-2C	DF3-EP2428PCF
	DF3AA-2EP-2C	DF3AA-3EP-2C	DF3AA-4EP-2C	
Japan Solderless Terminals	EHR-2	EHR-3	EHR-4	SEH-001T-P0.6
	SMP-02V-BC	SMP-03V-BC	SMP-04V-BC	SHF-001T-0.8BS
	SMP-02V-NC	SMP-03V-NC	—	
	H2P-SHF-AA	H3P-SHF-AA	—	
	PHR-2	PHR-3	PHR-4	SPH-002T-P0.5S
	XAP-02V-1	XAP-03V-1	XAP-04V-1	SXA-001T-P0.6
	XMP-02V	XMP-03V	—	
	XHP-2	XHP-3	XHP-4	SXH-001GU-P0.6
	SMR-02V-B	SMR-03V-B	SMR-04V-B	SXH-001T-P0.6
	SMR-02V-N	SMR-03V-N	SMR-04V-N	SYM-001T-P0.6

## Recommended tubes and cable ties for DC fan

DC

	Manufacturer	Representative model numbers	Specifications	UL file no.
PVC tube	YAMAICHI CHEMICAL	YET-300H	105°C 300 V VW-1	E55011
	IWASE KAGAKU KOGYO	AH-3		E56036
Thermal contraction tube	SUMITOMO ELECTRIC	SUMITUBE® F2 (Z)	125°C 600 V VW-1	E48762
	SUMI-PAC	SUMITUBE® F32		
Cable tie	THOMAS & BETTS	TY-23M	UL 94V-2	E49405
	PANDUIT	BT1M		E56854
	HellermannTyton	T18R		E64962

Note : The specifications in this table are for reference purposes only. When selecting, please check catalogs of each brand.

# Overview and Characteristics of Fan

**Overview** DC AC

A cooling fan is widely used to extend life of your system by cooling off heat of the system that many electrical components are mounted in a very high density and dissipating heat. Since we SANYO DENKI developed "San Ace" which is the first AC fan in Japan in 1965, we have increased fan motor lineup until now meeting customer's needs rapidly based on our tremendous career. We SANYO DENKI will continue to develop new fans with high airflow, low noise, low vibration, and energy-saving design.

**Characteristics** DC AC

We can roughly divide fan into two types which are AC and DC.

**AC fans**

SANYO DENKI succeeded in the mass-production of AC fans in 1965. SANYO DENKI was the first Japanese manufacturer to have succeeded at this.

- High performance
- High reliability
- Safety

**DC fans**

SANYO DENKI succeeded in the mass-production of DC fans in 1982.

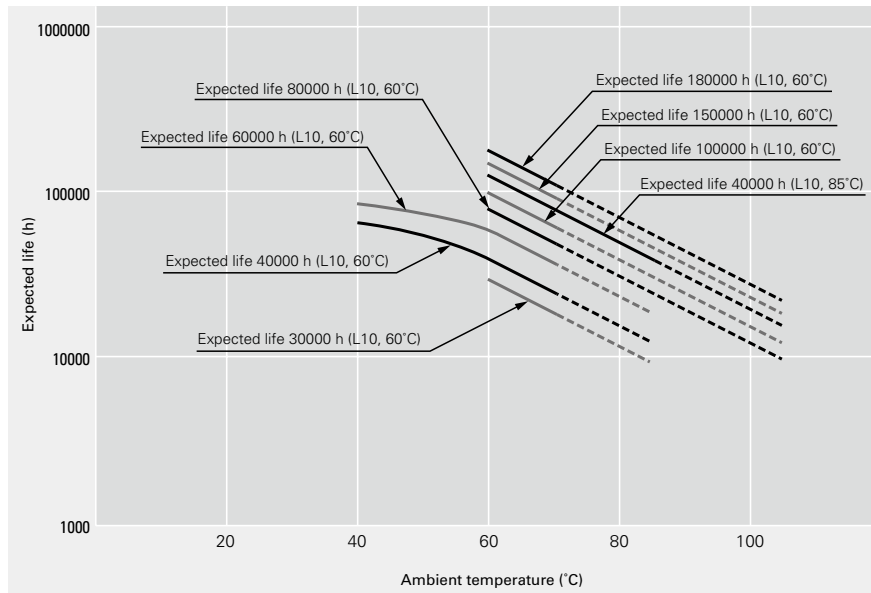
- High performance
- Low power consumption
- Low vibration
- Low leakage of flux
- High reliability

SANYO DENKI currently has a wider variety of products like Long Life Fan, CPU cooler, Splash Proof Fan, and Oil Proof Fan etc to meet all customer needs.

**Reliability and expected life** DC AC

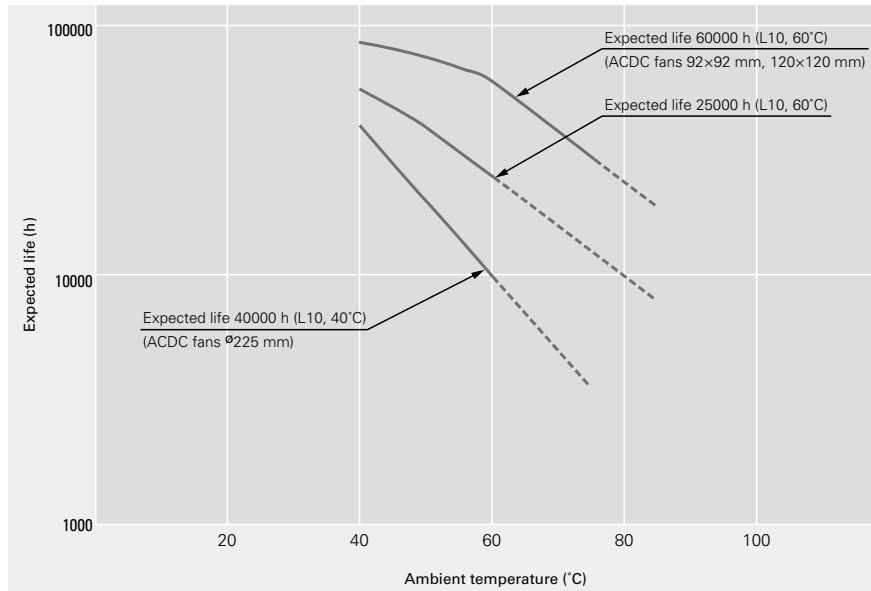
A cooling fan generally cools itself as well. The temperature rise of the motor is relatively low and the temperature rise of the grease in the bearings is also low, so expected life is longer than general some either motors. Since the service life of bearings is a theoretical value that applies when they are ideally lubricated, the life of lubricant can be regarded as expected life of the fan. DC fan consumes less power and its temperature rise of bearing is very low. When the measurement conditions are: L10 (the remaining product life in the lifespan test is 90%), with an atmospheric temperature of 60 degrees, at the rated voltage, and continuously run in a free air state. The table below indicates the relationship between ambient temperature and expected life estimated on the basis of our life tests and same other tests conducted by SANYO DENKI.

**Expected life of DC fans**



Rated voltage, continuously run in a free air state, survival rate of 90%

**Expected life of AC fans**

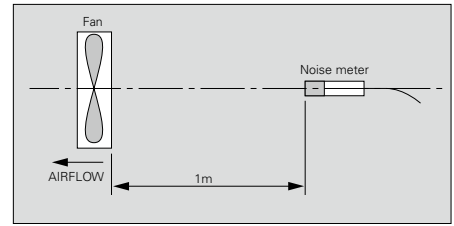


Rated voltage, continuously run in a free air state, survival rate of 90%

**Noise characteristics**

DC AC

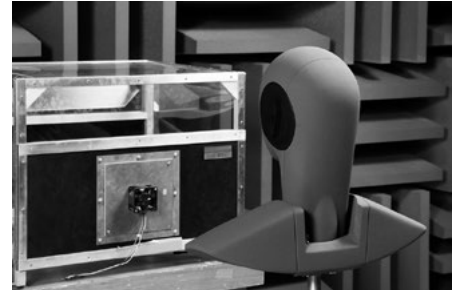
Noise is average value that measured at 1 meter away from air intake side of fan that is suspended on special frame in anechoic chamber (as per JIS B 8346).



Acoustic radio wave anechoic chamber



Noise characteristic measurement equipment

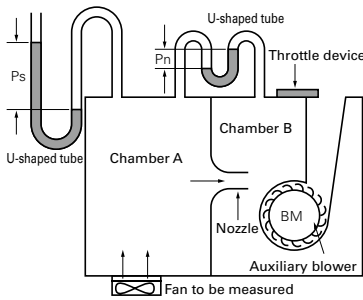


**Measuring airflow and static pressure**

DC AC

It is very difficult to measure airflow and static pressure. In fact, the performance curve may vary greatly according to the type of measuring equipment.

The commonly-used type of measuring equipment is a wind tunnel using a Pitot tube. SANYO DENKI uses a very precise method using double chamber equipped with many nozzles.



Double chamber measuring equipment

$$Q = 60A\bar{v} \text{ (A)}$$

where

$$Q = \text{airflow (m}^3\text{/min)}$$

$$A = \text{cross sectional area of nozzle} = \frac{\pi}{4}D^2 \text{ (m}^2\text{)}$$

$$D = \text{nozzle diameter}$$

$$\bar{v} = \text{average airflow velocity of nozzle} = \sqrt{2g \frac{P_n}{\gamma}} \text{ (m/s)}$$

$$\gamma = \text{Specific weight of air} = \rho g \text{ (N/m}^3\text{)}$$

(Air density  $\rho = 1.2 \text{ kg/m}^3$  at  $20^\circ\text{C}$ , 1 atm)

$$g = \text{acceleration of gravity} = 9.8 \text{ (m/s}^2\text{)}$$

$$P_n = \text{differential pressure (Pa)}$$

$$P_s = \text{static pressure (Pa)}$$

The measuring equipment using double chamber is method to be calculated from airflow goes through nozzle and differential pressure between pressure of inside of chamber ( $P_s$ ) and atmospheric pressure by measuring differential pressure between air intake and exhaust of nozzle ( $P_n$ ).

**Conversion table**

DC AC

**Static pressure**

$$1 \text{ mm H}_2\text{O} = 0.0394 \text{ inch H}_2\text{O}$$

$$1 \text{ mm H}_2\text{O} = 9.8 \text{ Pa (Pascal)}$$

$$1 \text{ inch H}_2\text{O} = 25.4 \text{ mm H}_2\text{O}$$

$$1 \text{ Pa} = 0.102 \text{ mm H}_2\text{O}$$

$$1 \text{ inch H}_2\text{O} = 249 \text{ Pa}$$

**Airflow**

$$1 \text{ m}^3\text{/min} = 35.31 \text{ ft}^3\text{/min (CFM)}$$

$$1 \text{ CFM} = 0.0283 \text{ m}^3\text{/min}$$

$$1 \text{ m}^3\text{/min} = 16.67 \text{ } \ell \text{ /s}$$

$$1 \text{ CFM} = 0.472 \text{ } \ell \text{ /s}$$

$$1 \text{ } \ell \text{ /s} = 0.06 \text{ m}^3\text{/min}$$

---

# Motor Protection

If the fan blades are restricted, an overcurrent occurs and leads to a rise in the fan coil temperature. This can result in reduced performance, damage, or a fire. To prevent this from occurring, SANYO DENKI's fans incorporate an overheating protection function.

## **Reverse polarity protection function (DC fan)**

No problem about fan even if positive & negative lead are connected in reverse.

However, when wiring fans with sensors or PWM speed control function, connecting positive and negative leads in reverse may damage the fans.

## **Burnout protection function at locked rotor condition (DC fan, ACDC fan)**

Current cutoff system

If the fan blades are restricted, the coil current is cut off at regular cycles to prevent overheating of the coil. When the hindrance is removed, the fan restarts automatically.

## **Burnout protection function at locked rotor condition (AC fan)**

Impedance protection (60 mm sq., 80 mm sq., 92 mm sq., 120 mm sq.)

This system is used for shading coil-type fans. When the blades are restricted, the current is reduced by the impedance of the coil itself to prevent a temperature rise in the coil. However, if the applied voltage exceeds the specification range, an overcurrent can occur and result in overheating, and so care needs to be taken.

Thermal protection (160 mm sq.,  $\varnothing$ 172 mm)

This system is used for condenser phase-type fans. A temperature sensor is incorporated in the coil so that if the temperature exceeds the specification temperature, the current is cut off to prevent overheating of the coil.

# Guideline in Selecting a Fan

## How to select an appropriate fan

DC AC

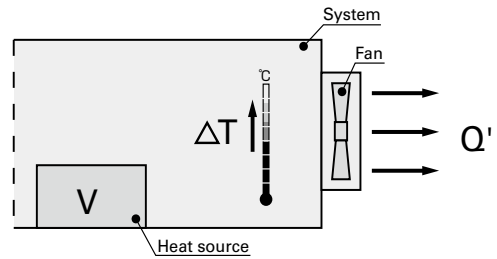
The following example is a guideline regarding how to select an appropriate fan for cooling your system

### 1. Determining of your system specifications and conditions

Determine the temperature rise inside your system and obtain the total heating value inside your system on the basis of its inputs and outputs.

Example

- V: Total heating value of your system (W)=100 (W)
- $\Delta T$ : Inside temperature rise (K)=15 (K)



### 2. Calculating the required airflow for cooling

After the equipment specifications and conditions of your system have been determined, calculate required airflow to meet the conditions. (Note that the formula shown below only applies when the heat radiation is performed only by cooling air from the fan.)

Example

Q': Motion airflow (m<sup>3</sup>/min)

$$Q' = \frac{V}{20\Delta T} = \frac{100 (W)}{20 \times 15 (K)} \approx 0.33 (m^3/min)$$

### 3. Selecting the fan

After the motion airflow has been calculated, select an appropriate fan motor based on the value. The motion airflow when the fan motor is actually mounted in your system can be obtained using the airflow-static pressure characteristics curve and system impedance. However, the system impedance cannot be measured without a measuring equipment, so fan with 1.5 to 2 times higher airflow than the actual max airflow should be selected (operating airflow is one-third to two-thirds of maximum airflow).

Example

Q: Maximum airflow (m<sup>3</sup>/min)

$$Q' = Q \times 2/3$$

$$Q = Q' \times 3/2 = 0.33 \times 3/2 \approx 0.5 (m^3/min)$$

Next, In case that you select a fan having an airflow of 0.5 (m<sup>3</sup>/min) or more and a appropriate size for the space inside your system.

For example, If you need a fan of 60 mm square, 25 mm thickness and 12 V, you should select is 109R0612H402 (maximum airflow = 0.53 m<sup>3</sup>/min).

### 4. Confirming the selected fan

Calculate the temperature rise inside your sysetem when your sysetem having 100 (W) of total heating value is forcefully cooled down by a 109R0612H402 fan.

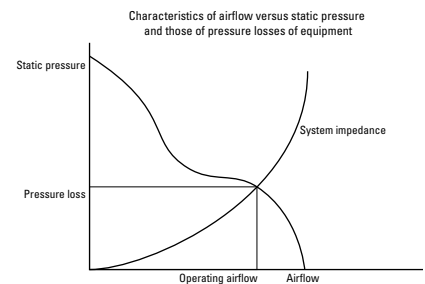
Example

$$Q' = Q \times 2/3 = 0.53 \times 2/3 \approx 0.353 (m^3/min)$$

$$\Delta T = V / 20Q' = 100 (W) / 20 \times 0.353 (m^3/min) \approx 14.2 (K)$$

From the above, the temperature rise inside your system is calculated as 14.2 (K).

Since the value obtained from the above equation is only a rough target, final fan selection should be based on your actual installation test.



## Portable measuring device for measuring airflow and system impedance within equipment

DC AC

### San Ace Airflow Tester

#### ■ Features

#### Enables the selection of the optimal fan for a device

An optimal fan for a device can be selected by entering accurate measurement results into thermal design simulation software.

#### Compact and lightweight

With a compact design and weight of approximately 6 kg, it is portable enough to measure immobile equipment.

Please refer to page 552 for detail.



With connection duct mounted

# Specifications for DC Fan Sensors

## Pulse sensor (Tach output type) example DC

Pulse sensor outputs two pulse waves per revolution of fan, and it is good to detect fan speed. Pulse sensors can be incorporated in all kinds of DC fans.

\* Noise from inside the fan or from external devices may effect sensor output.  
Contact us for more information.

The specifications listed below are for the 9G1212H101 model, and vary with the model number used. Please contact your point of sale for details.

### Output circuit

Open collector

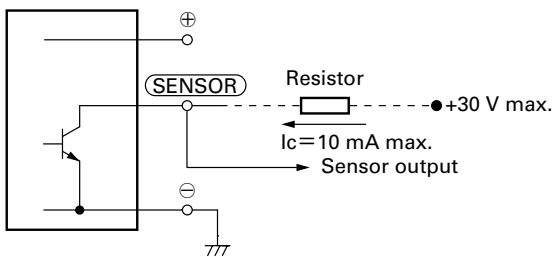
### Specifications

$V_{CE} = +30\text{ V max.}$

(For a 48 V-rated fan:  $V_{ce} = +60\text{ V max.}$ )

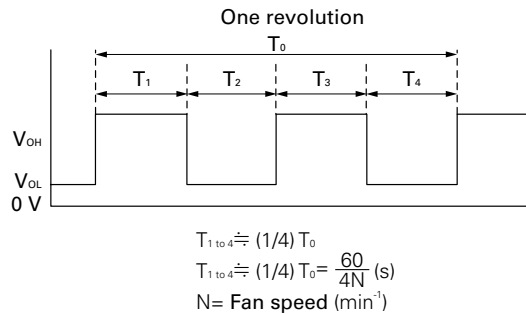
$I_c = 10\text{ mA max.}$  [ $V_{OL} = V_{ce}(\text{SAT}) = 0.4\text{ V or less}$ ]

Inside of DC fan



### Output waveform (Need pull-up resistor)

In case of steady running



\* If you want detailed specifications that apply when the rotor is locked, please contact SANYO DENKI.

## Locked rotor sensor (rotation / lock detection type) example DC

Locked rotor sensor outputs fan status signals. It is good to check whether the fan is running or locked

- \* Noise from inside the fan or from external devices may effect sensor output.
- \* Regarding details of the reverse logic and specifications of lock sensor output signals, please contact SANYO DENKI.
- \* Lock sensor can not be used in some models. Contact us for more information.

The specifications listed below are for the 9G1212H1D01 model, and vary with the model number used. Please contact your point of sale for details.

### Output circuit

Open collector

### Specifications

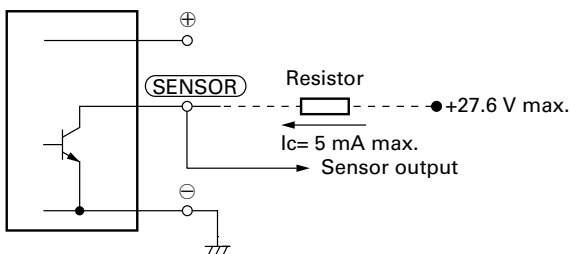
$V_{CE} = +27.6\text{ V max.}$

For a 48 V fan  $V_{CE} = +60\text{ V max.}$

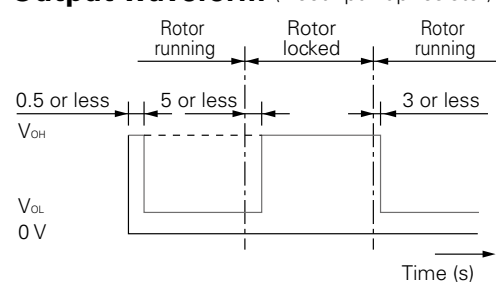
$I_c = 5\text{ mA max.}$  [ $V_{OL} = V_{ce}(\text{SAT}) = 0.6\text{ V or less}$ ]

For a 48 V fan:  $V_{ce}(\text{SAT}) = 0.4\text{ V or less}$

Inside of DC fan



### Output waveform (Need pull-up resistor)



Note: The output is completely at  $V_{OL}$  with 0.5 s or less after power-up.

**Low-speed sensor (rotating speed detection type) example**

**DC**

Low-speed sensor outputs a signal when fan speed goes down to trip point or less. It is good to detect cooling degradation of fan.

\*Noise from inside the fan or from external devices may effect sensor output, please.

\*If you want detailed specification and reverse signal output, please contact SANYO DENKI.

\*Low-speed sensors can not be used in some models. Contact us for more information.

The specifications listed below are for the 9G1212H1H01 model, and vary with the model number used. Please contact your point of sale for details.

**Output circuit**

Open collector

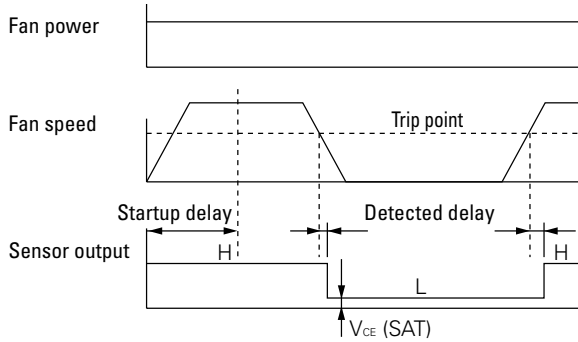
**Specifications**

$V_{CE} = +27.6 \text{ V max.}$

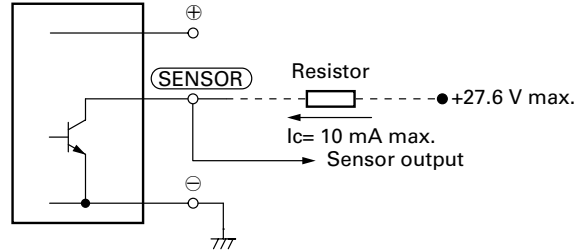
$I_c = 10 \text{ mA max.}$  [ $V_{OL} = V_{CE}(\text{SAT}) = 0.5 \text{ V or less}$ ]

**Sensor scheme**

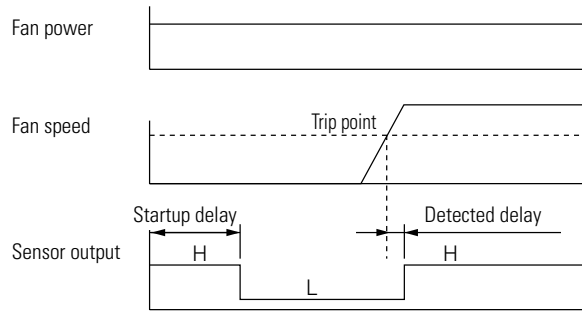
Example 1: In case steady running



Inside of DC fan



Example 2: In case that the rotor is locked when the fan motor is turned on and released after the start-up delay time.



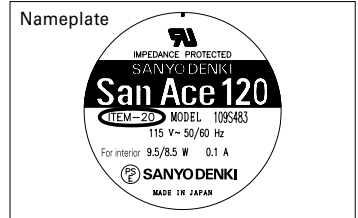
**Specifications for AC Fan Sensor**

ACDC fan sensor specifications differ from those below. Please refer to each product page.

**Specifications of sensor circuit**

**AC**

	5 V (ITEM-20*)	12 V (ITEM-30*)
Example of model.no	109S405UL	
System	Speed detection, Auto-restart, Open collector	
Power supply	5 VDC±10% At 5 V, 6 mA	12 VDC±20% At 12 V, 10 mA
Recommend sensor circuit output	At $V_p = 5 \text{ V}$ , $I = 100 \text{ mA max.}$	At $V_p = 12 \text{ V}$ , $I = 200 \text{ mA max.}$
Trip point	Standard speed: $1700 \text{ min}^{-1} \pm 10\%$ Low speed: $850 \text{ min}^{-1} \pm 10\%$	
Response speed	Standard speed: Startup delay 18 s Detection delay 1 s Low speed: Startup delay 36 s Detection delay 2 s	
Insulation resistance	10 MΩ min. at a 500 VDC megger (Note)	
Dielectric strength	50/60 Hz, 1000 VAC, 1 minute (Note)	
Ambient conditions	Temperature: $-10 \text{ to } +70^\circ\text{C}$ , humidity: 90% RH max. (at $40^\circ\text{C}$ )	

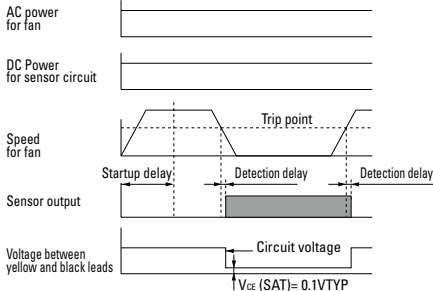


\*[ITEM-20] and [ITEM-30] are printed on the fan nameplate.

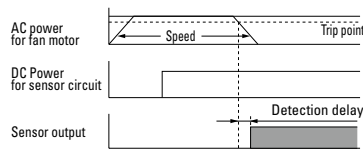
Note: Between one end that all sensor leads consisting of brown, yellow and black are tied together and the G terminal or power terminal of the fan.

**Sensor scheme**

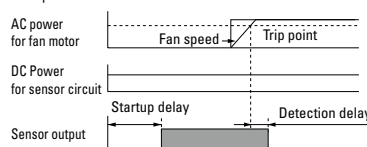
Example 1: When the AC power for the fan and the DC power for the sensor are turned on at the same time



Example 2: When the AC power for the fan is turned on first, then the DC power for sensor is powered on

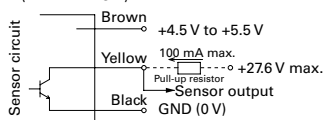


Example 3: When the DC power for sensor is first powered on, then the AC power for the fan is turned on

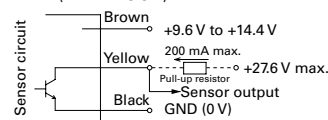


**Sensor output circuit**

5 V (ITEM-20\*)



12 V (ITEM-30\*)



GND (Black) should be shared in case that power supply for sensor circuit (Brown) and that for sensor pull-up (Yellow) are separated.



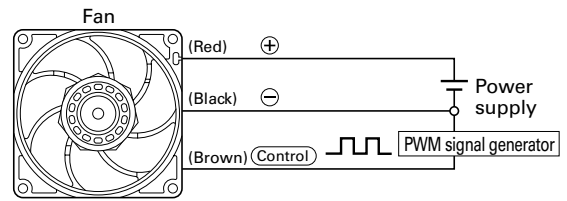
# Fans with PWM Control Function

## 1. Overview

Pulse Width Modulation (PWM) control function enables you to externally control the speed of the fan by varying the duty cycles of PWM input signals between control and grounding terminals. It allows fans to operate optimally in response to the device's heat level, lowering the noise and power consumption of the system.

PWM control function has the following advantages:

- (1) Because the PWM signal is digitally input, precise control is possible.
- (2) Because the PWM signal is digitally input, multiple fans can be controlled.
- (3) Upon users request, how the fan speed responds to PWM signals can be customized. For example, fan can be set to stop or run at low speed at 0% PWM duty cycle.



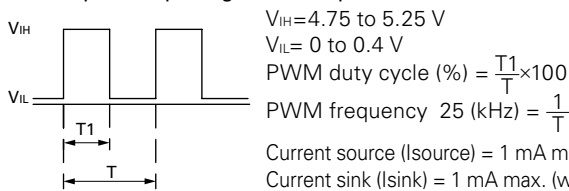
## 2. PWM duty input signals and wiring diagram

Other than a TTL input, an open collector/drain input can be used for PWM signal input.

Be noted that if an open collector/drain input is used or applied an input voltage and frequency is out of specified range, how the fan speed responds to the PWM duty cycle may be altered.

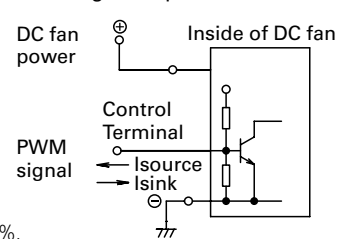
The input signal voltage and the frequency differ with models. Please contact us for details.

### Example of input signal (TTL input)



Current source ( $I_{source}$ ) = 1 mA max. (when control voltage is 0 V)  
 Current sink ( $I_{sink}$ ) = 1 mA max. (when control voltage is 5.25 V)  
 Control terminal voltage = 5.25 V max. (when control terminal is open)  
 When the control terminal is open, fan speed is the same as when PWM duty cycle is 100%.

### Wiring example

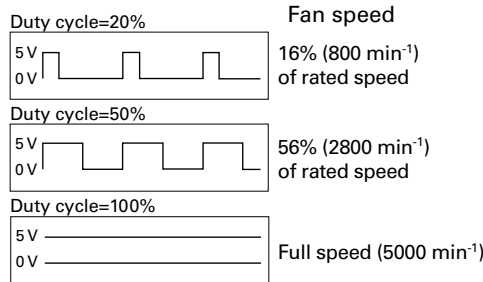
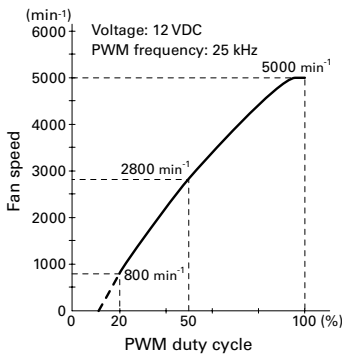


## 3. PWM duty cycle – Speed characteristics

Fan speed of PWM control fans change, as the below performance curve shows, in response to the PWM duty cycle input.

If necessary, users can do the speed setting by themselves, making the fans operate at the optimum speed.

Also, upon user's request, how fan speed responds to a PWM signal can be customized so that the fan stops or runs at low speed for a certain PWM duty cycle input. The below performance curve is for a fan that stops at 0% PWM duty cycle. Specifications differ with models. Please contact us for details.



The dotted part of the performance curve (area below 20% PWM duty cycle in the above case) indicates the fan speed is unstable in the area.

## 4. When you wish to obtain a fan performance with 100 or 0% PWM duty cycle without a PWM signal generator for built-in test.

Performance at 100% PWM duty cycle: Leave the control lead wire open and no connection.

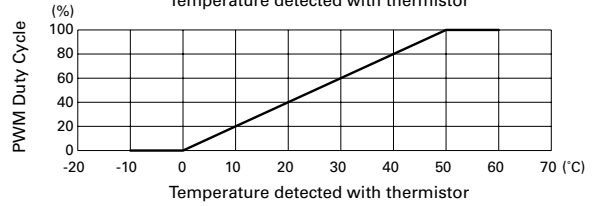
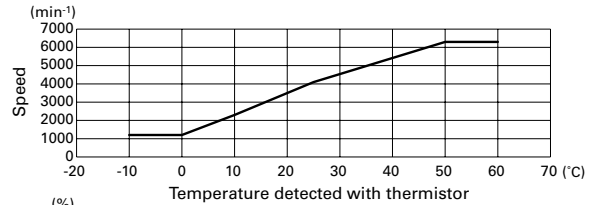
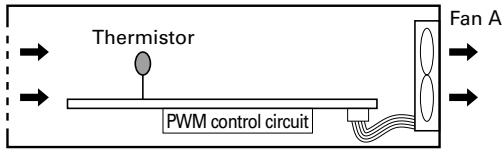
Performance at 0% PWM duty cycle: Connect the control lead wire directly to  $\ominus$  pin.

### 5. Application examples of PWM control fan

Here are a few application examples of PWM control fan.

(1) This system controls the fan speed in response to changing device temperature.

By combining a PWM control circuit and thermistor that detects temperature of device and its parts, it is able to control the fan speed of PWM control fan in response to the changing temperature.

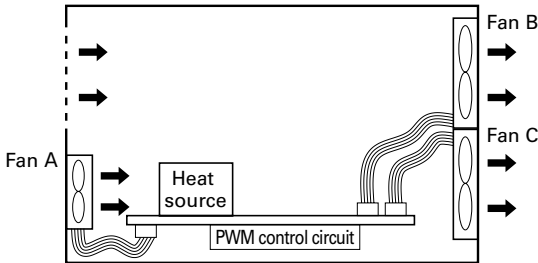


(2) Simultaneous control of multiple fans

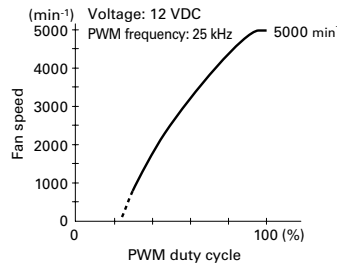
Because PWM control is done with digital signal inputs, regardless of fan types or input voltage, multiple fans can be controlled simultaneously.

Below figure shows a system that can control multiple fans with various PWM characteristics simultaneously. Such systems contribute to the low power consumption and noise.

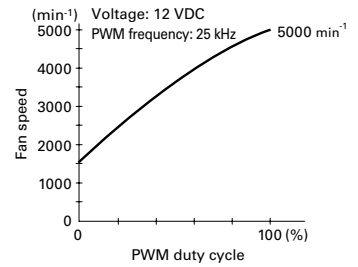
Operation mode	PWM Duty	Fan A	Fan B, C
Full-power	100%	5000 min <sup>-1</sup>	5000 min <sup>-1</sup>
Normal	60%	3500 min <sup>-1</sup>	4000 min <sup>-1</sup>
Standby (eco mode)	0%	Stop	1500 min <sup>-1</sup>



Fan A (model that stops at 0% PWM duty cycle)



Fan B, C (model that runs at low speed at 0% PWM duty cycle)



### Controlling device that easily regulates the rotational speed of PWM control fans

DC

### San Ace PWM Controller

#### ■Features

#### Reduces system power consumption and fan noise

For PWM fan speed control, a PWM control circuit needs to be newly designed and configured.

By using this product, however, PWM control function fans can be fully utilized without the need for preparing new circuits, contributing to reducing the system power consumption and the fan noise.

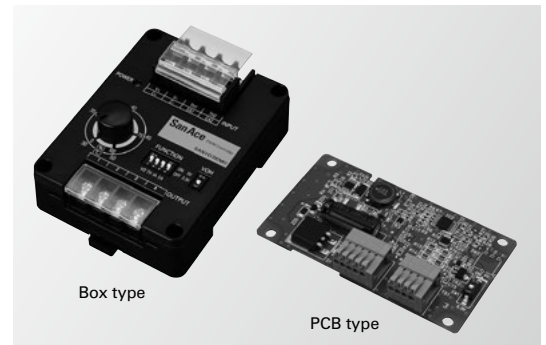
#### Can be common-powered by the fan power supply

The controller can be powered by the fan power supply of rated voltage 12, 24, and 48 VDC, and no separate supply is required.

#### Maximum of four fans connectable

Up to four fans with PWM control function can be connected and controlled.

Please refer to page 548 for detail.



# Splash Proof Fan

## Ingress protection ratings (IP code)

DC

- IP Codes used by SANYO DENKI express the level of protection that internal electrical components (for fans: electrical components and motor coils) have against solid objects, water, and access to hazardous parts. San Ace Splash Proof fans feature high protection levels.

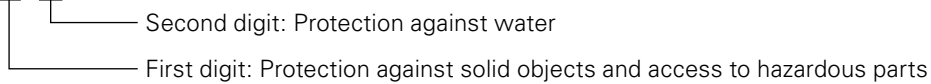


Protected electrical components and motor coils

- Definition of Ingress Protection (IP Code)

Ingress Protection (IP Code) is defined in IEC (International Electrotechnical Commission) 60529\* DEGREES OF PROTECTION PROVIDED BY ENCLOSURES (IP Code). \*IEC 60529:2001

**I P X X**



First digit	Definition
0	No protection
1	Protection against solid objects > 50 mm
2	Protection against solid objects > 12.5 mm
3	Protection against solid objects > 2.5 mm
4	Protection against solid objects > 1 mm
5	Protection against a level of dust that could hinder operation or impair safety
6	Complete protection against dust

Second digit	Definition
0	No protection
1	Protection against dripping water
2	Protection against water spray up to 15°
3	Protection against spraying water
4	Protection against splashing water
5	Protection against low pressure water jets
6	Protection against high pressure water jets
7	Protection against temporary immersion in water
8	Protection against submersion in water

- IPX8 Requirements

When the power is off, the fan is submerged in water pressurized to the equivalent of 2 meters for 60 minutes. Then it's run for 15 minutes at the rated voltage in free-air. During the test, there shall be no reduction in dielectric strength or fan characteristics.

**UPS, inverter, rectifier, high-voltage power supply, etc.**

**Cautions for Use of a Cooling Fan in the Vicinity of a Power Switching Circuit** (prevention of electrolytic corrosion)

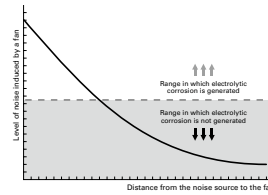
If a fan is installed near a large-power or high-voltage switching circuit, the heavy electromagnetic noise resulting from electromagnetic induction in such circuits or the influence of high-frequency noise imposed through the power line of the fan may induce current through the shaft bearing of the fan. Such current may damage the oil film on the bearing and even the friction surface of the bearing. This adverse effect is known as "electrolytic corrosion of the fan." Electrolytic corrosion affects the smooth revolution of the fan and may reduce its service life. An audible symptom is unusual noise emitted from the fan. This adverse effect is often observed and may partly be explained by the practice of mounting high-density parts, which reduces the gap between the switching circuits and the fan and the use of higher switching frequencies apt to provoke induction. Data processing/communications devices that operate at low voltages are not liable to electrolytic corrosion since they generate less electromagnetic noise.

**A Case of electrolytic corrosion** DC AC

Fans without anti-corrosion features installed near components that generate electromagnetic noise, such as inverter controllers, are liable to experience electrolytic corrosion.

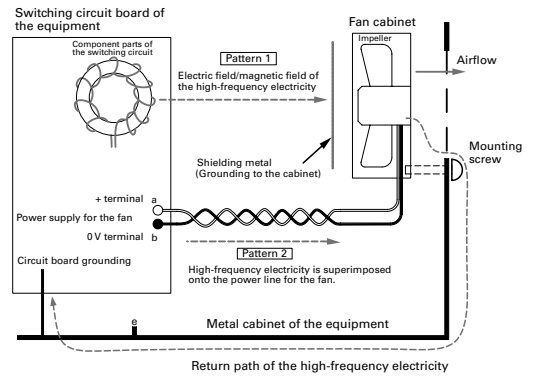
No.	Use	Period until the occurrence of unusual noise
1	Switching power supply	6 months to 2 years
2	UPS	6 months to 2 years
3	General-purpose inverter	1 to 1.5 years
4	Air cleaner	2 to 3 months
5	Inverter for LCDs	6 months

The curve shown in the graph below represents the relationship between the level of the electromagnetic noise induced by a fan and the distance from the fan to the noise source.



**Occurrence of electrolytic corrosion Pattern 1**

- (1) The fan gets charged with high-frequency electricity by high-frequency noise (electric field/magnetic field) generated in the switching circuit.
- (2) Because of high-frequency electricity charged in the fan, an electric current flows through the bearing of the fan.
- (3) The electric current breaks the oil membrane on the surface of the bearing and the bearing gets abraded (electrolytically corroded).
- (4) This symptom often occurs in equipment in which switching circuits are sped up and implemented in high density.
- (5) Countermeasure 1: To provide a shield plate\* inside the fan (The plate should be such that does not interfere with airflow).
- (6) Countermeasure 2: To use a fan with ceramic bearings.



**Occurrence of electrolytic corrosion Pattern 2**

- (1) High-frequency electricity flows from the circuit board into the inside of the fan superimposed with the power line for the fan.
- (2) High-frequency electricity that has entered into the fan flows through the bearing.
- (3) Oil membrane on the surface of the bearing gets broken and the bearing gets abraded (electrolytically corroded).
- (4) Countermeasure 1: To remove high-frequency component between terminals "a" and "b", "a" and "e" and "b" and "e" of the power supply for the fan, or to insert a filter\*\* into the power line for the fan.
- (5) Countermeasure 2: To use a fan with ceramic bearings
- (6) Cables should be twisted in order to decrease induction to the power line for the fan.

\* Shielding metal plate  
As an electromagnetic shield metal, "EMC Guard" is available from our company. Certain shielding effect can be expected from mounting a general-purpose finger guard inside the fan. In each case, grounding to the cabinet is required.

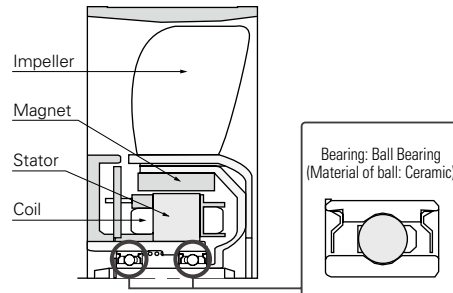
\*\* Filter  
Insert a common mode filter when the high-frequency electricity is superimposed on both lines "a" and "b" in the same phase and, if not, insert a normal mode filter.

- Relocate fans far from all electromagnetic noise sources.
- Attach an EMC guard to ordinary fans. This should have an effect on electromagnetic noise due to radiation.
- As a power supply, the fan is wired from a circuit for which noise is not superimposed.
- Against heavy electromagnetic noise (electromagnetic induction) and conductive noise from the power supply line for a fan, we recommend the use of an "Electrolytic corrosion proof fan" with ceramic bearing.

This cooling fan prevents electrolytic corrosion of bearings even under conditions where electromagnetic noise is generated.

Electrolytic corrosion of ball bearings is prevented by using ceramic balls in ball bearings. The ceramic material is an insulating material. Manufacturable to meet specifications of all San Ace series fans.

### ■ Component diagram



### Caution

Electrolytic Corrosion Proof Fan has been designed to prevent the electrolytic corrosion of ball bearings in the fan, but this does not guarantee that the fan will operate normally under conditions where there is strong electromagnetic noise.

Please be sure to fully evaluate the value of fan malfunction due to noise in advance.

# Safety Standards

Our products conform to these directives and safety standards. For compliance with standards, see individual product pages.

## 1. UL ratings (USA)



Underwriters Laboratories Inc. was established by the American Union of Fire Insurance Underwriters. The purpose of UL is to ensure safety of machines, equipment, and materials and protect human lives and property from fire and other accidents. To that end, UL has conducted numerous tests and extensive research and, as a result, set up UL ratings. Any seller of products in any of the majority of the states of the USA must produce their products according to the UL ratings, have them pass UL-specified safety inspections, and have them listed in UL's registration book. Therefore, to export and sell any product in the United States, one must in most cases apply for UL-listing. Additionally, UL is accredited by The Standards Council of Canada (SCC) as both a Certification Organization (CO) and a Testing Organization (TO) and is officially recognized in all provinces and territories throughout Canada. Accordingly, our products can be tested by UL for compliance with Canadian safety standards. Certified products are entitled to display the cUL Mark, which authorizes their use and sale in Canada. If products are deemed to be compliant with both U.S. and Canadian standards, then both the UL Mark and cUL Mark can be displayed or a combination U.S. and Canadian mark (bottom left). Our fans are certified as satisfying all UL 507 requirements.

## 2. CSA standards (Canada)



The Canadian Standards Association (CSA) was set up in response to the advice of the Canadian government. In Canada, the law prohibits the use and sale of any product other than those approved under CSA in terms of safety. CSA has set up CSA standards as inspection procedures and other requirements to ensure product safety. Our products are certified as satisfying the CSA standard C22.2 No. 113.

## 3. EN standards (EU members)



In the EU territory, the harmonization of industrial standards and safety standards of different countries is under way. The unified standards are called Harmonized Standards. Each of these standards is marked EN above the standard number. EN standards offer the grounds in design and manufacture when one exports a product to the EU territory. In order for a product to receive a safety marking, the product must be found to conform to TÜV, VDE, or other relevant standard. Our products are certified by TÜV Rheinland to meet the requirements of EN 60950-1/EN 62368-1. (San Ace Controller complies with EN 60730-1)

## 4. Electrical appliance and material safety law



As of April 1, 2001, the Electrical Appliance and Material Control Law has been revised and reenacted as the Electrical Appliance and Material Safety Law. AC fans are classified as 'Blowers' under 'Electric motor-operated appliances'. They are categorized as electrical products other than specific electrical appliances (with the exception of some models) and are required to be labeled to indicate PSE certification.

## 5. CE marking



To distribute their equipment in the EU territory, manufacturers are obligated to give a CE marking as proof that the equipment conforms to related EC directives. Manufacturers use EN standards as criteria of judgment as to whether the equipment satisfies the requirements of specific directives or, in the absence of applicable EN standards, they use IEC standards. Manufacturers then prepare a self-declaration to indicate that the equipment conforms to related directives and apply a CE marking. (Depending on the degree of risk of the equipment, some kinds of equipment are required to receive type tests conducted by certified authorities and, after a type test certificate is obtained, manufacturers make a self-declaration.)

Scope of application of major EC directives

### Machine directives

These directives apply to equipment that has a moving part that may injure humans. The directives generally apply to a wide range of machine tools and other industrial machines.

### EMC directives

They apply to equipment which may be affected by electromagnetic interference (EMI) or has electromagnetic susceptibility (EMS).

### Low-voltage directive

This directive applies to equipment that is used in an AC range between 50 and 1000 V and in a DC range between 75 and 1500 V.

### ErP Directive

Energy related Products Directive aims to protect the environment and requires eco-design.

### RoHS Directive

This directive restricts of the use of certain hazardous substances contained in electrical and electronic equipment.

### Radio Equipment Directive

This directive sets requirements that radio and communications equipment should meet.

## 6. Technical Standard Conformity Certification



The Technical Standard Conformity Certification mark, set by Japanese Ministry of Internal Affairs and Communications, indicates that the product is certified as either or both of the following: specific radio equipment defined in the Radio Act and terminal equipment defined in the Telecommunications Business Act. Our San Ace Controller has built-in Technical Standard Conformity-certified specific radio equipment defined in the Radio Act in Japan. It is also a certified terminal equipment based on the Telecommunications Business Act in Japan.

## 7. VCCI



VCCI is a membership organization in Japan that aims to suppress electromagnetic interference generated from information technology equipment by industry self-regulation. It sets standards for noise, which affects other communications equipment, generated from data-processing equipment. VCCI categorizes information technology equipment in two classes: Class A equipment is used in commercial and industrial areas and Class B equipment is used in residential and adjacent areas. Our San Ace Controller is categorized as Class B information technology equipment.

## 8. FCC



Federal Communications Commission (FCC) is an independent U.S. government agency responsible for implementing and enforcing U.S. communications law and regulations. Obtaining an FCC certification is required to sell communications equipment including radio equipment in the U.S. Our San Ace Controller complies with FCC Part 15 Class B.

# RoHS Directive Compliance

All products listed in this catalog conform to the EU RoHS Directive 2011/65/EU and EU 2015/863.

These Directives restrict the following ten hazardous substances: cadmium, lead, mercury, hexavalent chromium, PBB, PBDE, DEHP, BBP, DBP, and DIBP. Implementation schedule is as follows:

Products	Implementation date
Fans, PWM Controller, San Ace Controller	Produced in and after January 2019
Plug cords	Shipped in and after October 2018
Finger guards, filter kits	Shipped in and after January 2018
Airflow Tester	Produced in and after July 2019

# Eco-products

Efforts for designing Eco-products

As for product design, we are carrying out R&D to incorporate the latest energy-saving technologies into our new products. At the same time, we carry out product assessments to evaluate the environmental impact of products at each stage, such as component and material procurement, manufacture, distribution, use, recycling, and disposal.

Newly developed products are compared with commercially available and existing products and are certified as Eco-products (Eco-design products) if they satisfy the specified evaluation standards. Eco-products are presented in catalogues and other materials with a LEAF symbol.



Life cycle assessment (LCA)

LCA is one of the techniques used to provide a general quantitative measure of levels of environmental impact including global warming that products have through their life cycles. We evaluate the environmental compatibility of a product using this method. Our rate of implementing LCA in our Eco-products was 90%.

# Operating Precautions DC AC

## Temperature conditions

**Operating temperature:** Refer to the specifications table for each model.

**Storage temperature:** -20 ~ +70°C / -30 ~ +70°C (Varies for each model / Non condensing)

\* Rapid change in temperature may cause condensation. Prevent condensation when storing. Condensation may affect lubrication performance and insulation.

## Power specifications

For the specification of rated voltage and voltage range, please check the catalog or drawing for the model number.

Use of voltage exceeding the specified range may lead to performance degradation, device failure, or fire hazards. Do not apply voltage that exceeds specifications to the fan.

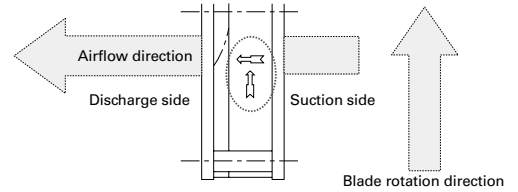
An electronic circuit is used for the DC fan. For power supply, use power with ripple less than 5% with low line noise and surge to prevent electronic circuit trouble.

## Handling precautions

The fan motor is equipped with a precision ball bearing. Therefore, please handle the motors carefully in order not to shock the bearings.

## Installation tips

There are no limitations on the installation direction of fans or blowers. Fans have symbols on the fan indicating the airflow direction and blade rotation direction. When installing, use these symbols to check the airflow direction.



Symbols indicating the fan airflow direction and blade rotation direction

## Recommended screw torque

This shows the recommended values for the screw torque when installing the fans. If the tightening torque is higher than the recommended values, the fan can be deformed or damaged.

Use care when tightening. Also, be sure to always use a fan with a ribbed structure when securing by screws with both flanges.

DC fan

Fan mounting hole diameter [mm]	Nominal screw diameter	Recommended screw torque
ø3.5, ø3.7	M3	0.44 N·m max.
ø4.3, ø4.5	M4	0.78 N·m max.
ø4.3, ø4.5	M4	0.98 N·m max. (ø172 mm×51 mm, ø172 mm×150 mm×51 mm, ø200×70 mm)

AC fan

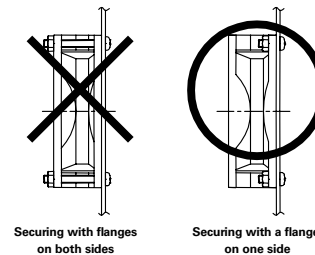
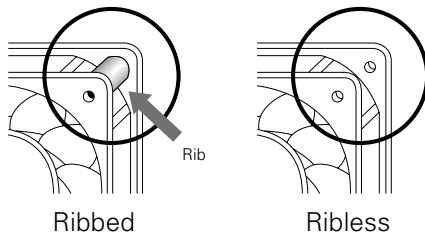
Fan mounting hole diameter [mm]	Nominal screw diameter	Recommended screw torque
ø3.5, ø3.7	M3	0.44 N·m max.
ø4.3	M4	0.58 N·m max. (120 mm×120 mm max.)
ø4.3	M4	0.78 N·m max. (ACDC fan, ø172 mm)
ø5.5	M4, M5	0.78 N·m max. (160 mm×160 mm)

## Comparison of ribbed and ribless structures

Regarding plastic frame, we have a option ribbed and ribless about mounting. Please use preferred type up to your application. Please use ribbed fan in case that you hook fan up clamping either side fan mounting hole target. (According to the model, only models with or without ribs are available.)

\*Use a fan with a rib structure when securing by screws with both flanges.

· When securing screws to ribless plastic frame models, use a flange to secure on one side.





# Fan Mounting Using Self-tapping Screw DC

Installing self-tapping screws into the plastic frame of the fan may split or deform it.

If using self-tapping screws, use screws that are recommended by our company, and refer to our recommended tightening torques and recommended pilot hole shapes. Pay close attention to the operating precautions and fully understand your equipment before you use it.

## Recommended screw torques

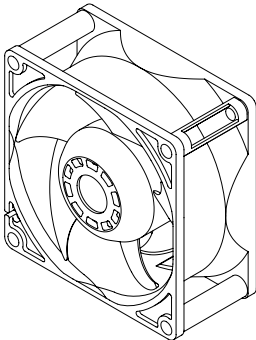


Fig. A: Ribbed fan

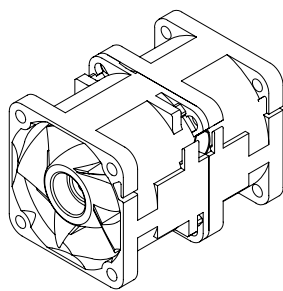


Fig. B: Counter rotating fan

	Recommended screw torque [N·m]	Fan mounting hole diameter [mm]
Ribbed fan (Fig. A)	0.8 max.	ø3.5. ø4.3. ø4.5
Counter rotating fan (Fig. B)	0.6 max.	

## Do not use self-tapping screws in the following cases:

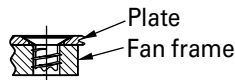
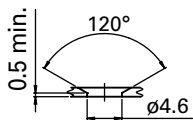
- For ribless fans (except for counter rotating fans)
- When mounting finger guards on fans

Using self-tapping screws could deform or split the frame. Please use regular screws.

## Recommended pilot hole shape

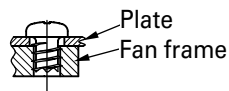
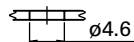
[For nominal diameter 4 mm]

Self-tapping screw model no.  
SY-NS020412P11



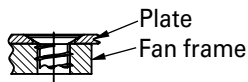
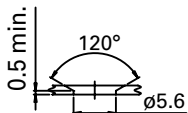
Minimum mounting plate thickness: T=1.2 mm

Self-tapping screw model no.  
SY-NS010412P11



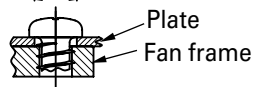
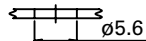
[For nominal diameters of 4.8 mm and 5 mm]

Self-tapping screw model no.  
SY-NS024812P15  
SY-NS020512P15



Minimum mounting plate thickness: T=1.2 mm

Self-tapping screw model no.  
SY-NS014812P15  
SY-NS010512P15



## Recommended self-tapping screws

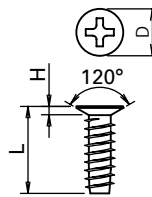
· Material: Steel

· Plating: Trivalent chromating plating

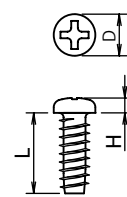
unit: mm

Fan mounting hole diameter	Self-tapping screw model no.	Nominal screw diameter	Length [L]	Head shape	Flat-head/pan-head dimensions		
					Head diameter [D]	Height of head [H]	Cross recess No.
ø3.5	SY-NS020412P11	4	12	Flat	6.2	1.1 max.	2
	SY-NS010412P11	4	12	Pan	5.5	2.0	2
ø4.3	SY-NS024812P15	4.8	12	Flat	6.8	1.2 max.	2
	SY-NS014812P15	4.8	12	Pan	7.0	2.6	2
ø4.5	SY-NS020512P15	5	12	Flat	6.8	1.2 max.	2
	SY-NS010512P15	5	12	Pan	7.0	2.6	2

Head shape: Flat

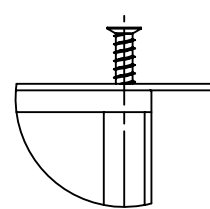


Head shape: Pan

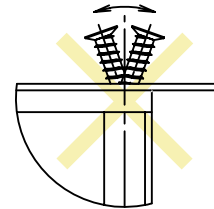


## Operating precautions

- Place the self-tapping screw so that it is vertical and centered with the frame mounting hole (Fig. A) and then screw it in. The self-tapping screw could deform or split the frame if you screw it into the frame when the screw is not vertical.
- Screw in the self-tapping screw with the center of the mounting hole on the fan and the center of the pilot hole on the mounting plate aligned (Fig. B). Misaligned holes could lead to the frame being deformed or split.

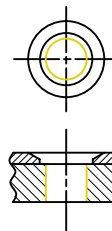


Vertically placed screw

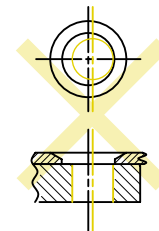


Inclined screw

Fig. A



Aligned and centered holes



Misaligned holes

Fig. B

- Tightening the screw beyond the recommended screw torque could deform or split the frame.
- With flat-head screws, failure to use the recommended pilot hole shape will cause interference between the flat-head screw and fan frame which could split the frame.

## Recommended screw manufacturer

To purchase the screws, please contact the screw manufacturer directly.

SAIMA CORPORATION

2-9-17 Tsujido Fujisawa Kanagawa 251-0047 JAPAN



TEL: +81-466-36-3656 FAX: +81-466-36-0009

<https://www.saima.co.jp/en/top.php>

# Safety Precautions DC AC

- To ensure that this product is used safely, be sure that you read and understand the following precautions fully and use the product only as directed.
- Be sure to read the Safety Precautions carefully before installing, connecting, operating, maintaining, or inspecting this product. Follow all the precautions and directions given here.
- This product has been designed and manufactured for use as a device to be used in general industrial machinery, and may not be used as a standalone product.
- The product of our company (hereinafter called the product) falls into the category of the products specified in the Attached List 1, Item 16 (Class 84, Item 14) of the Export Trade Control Ordinance. To export the product as an individual part or to export a product into which the product is assembled, the "Informing Requirements" and "Objective Requirements" that the Ministry of Economy, Trade and Industry of Japan established based on the "Catch-all Controls" must be studied for applicability. Accordingly, appropriate export formalities must be performed.
- When disposing the product, treat it as industrial waste. Please contact your local government office for further details about disposal.

To prevent any possible bodily injury or damage to property or equipment, the following precautions for ensuring safety are displayed according to the following two ranks of importance:

 <b>Danger</b>	Handling or using the product improperly and in disregard of the instructions with this mark may result in serious bodily injury or death.
 <b>Caution</b>	Handling or using the product improperly and in disregard of the instructions with this mark may result in bodily injury or physical damage.

Note: Items marked 'Caution' may also result in serious bodily injury or death in some circumstances. Always follow the instructions the same as for items marked 'Danger.'

Descriptions of the precautions to be taken to ensure safety are given below.

## **Danger**

- When using the product in the following environments, use it at your own discretion only after deploying sufficient safety measures and making prior evaluations. Equipment such as medical equipment related to human life, facilities that have serious social and public effects, or environments with vibrations such as in automobiles or ships.
- Ensure that wiring has been correctly done. Failure to do so may result in fire, burns, or electrical shock.
- If there are any grounding taps or wires, ground them securely. There is danger of electric shock.
- Never use in explosive atmospheres, as doing so might result in fires, burns, or bodily injury. Otherwise, it may result in fire, burns, bodily injury, or electrical shock.
- Do not operate the product when electronic components are exposed. There is danger of electric shock.
- Never allow any persons or objects to approach or come into contact with the rotor while in operation, as doing so might result in damage or personal injury.
- Turn off the power and stop using the product immediately if you notice any sparks, smoke, odd odors, sounds, or anything unusual during operation. There is danger of electrical shock, fires, or bodily injury.
- Never allow the product to fall, topple over, or otherwise be subjected to excessive shocks when moving it, as doing so might result in product breakdown or substandard operation.
- The product should be handled only by personnel with sufficient training and knowledge and under the responsibility of the end user.
- Never attempt to disassemble or alter this product in any way. There is danger of electrical shock, fires, or bodily injury.

## **Caution**

### Handling

- Installation, placement, connections, wiring, or relocation of the product should be performed by knowledgeable or correctly licensed personnel. Never perform such work while the product is on, as this might lead to injury, electrical shock, burns, or fire.
- Do not use the fan if it is not fixed, nor while held in hand.
- Never allow yourself to come into contact with the ends of wires or plugs when measuring insulation resistance or dielectric strength voltage. There is danger of electric shock.
- Never attempt to disassemble or alter this product in any way. Doing so may invalidate any warranties concerning the functions or performance of the product, and may also result in fire, burns, bodily injury, or electrical shock.

### Cautions for operation

- Give proper consideration to the device for its protection in case the fan stops during operation.
- Never use the product at voltages, temperatures, or any other settings which exceed those given in the product specifications. This might result in substandard operation, breakdown, fire, bodily injury, or electrical shock.
- The fan may fail to operate properly if there is insufficient power capacity, because a starting current several times larger than the rated current will flow at the moment voltage is supplied to the fan. Be sure to inquire about starting current levels for individual models.
- Do not control the speed of the fan by changing power voltage using PWM. It may cause fan failure.
- Devices with multiple fans may encounter internal interference. In this case, all fans should be turned on at the same time. Starting a fan while it is being blown on by another fan may result in fan failure or malfunction.  
Also, use at your own risk after pre-evaluating the effect of interference on each fan.
- Never insert or remove any lead wires, plug cords or connectors while the power is turned on. Turn off the fan then, while holding the frame, insert or remove plugs or connectors. Failure to do so might result in damage or electrical shock.
- Do not remove the lead wire of the fan from the frame hook. Doing so may scratch and damage the surface of the lead wire.
- Do not remove the nameplate. There is danger of electrical shock or failure.
- Do not push the nameplate of the fan with strong force. The nameplate may break or come in contact with the shaft.
- The product might become damaged if foreign objects or external forces interfere with normal fan operation.
- Do not implement ON-OFF on the negative power supply line. That might damage the fan.

## Installation

- When fixing this product into place, be sure to take the product's weight, vibrations generated during operation, and all other relevant factors into consideration. Failure to do so may result in the product or its parts falling, resulting in bodily injury or device failure.
- Be sure to check the installation direction (i.e., the fan), as failing to do so might result in bodily injury or mechanical breakdown.
- To ensure that the product operates properly, allow spaces for ventilation and take necessary steps to prevent the entry of foreign objects. Failure to do so might result in bodily injury or mechanical breakdown.
- When fixing the fan with screws, make sure the screw and sheet metal have not deformed the frame of the fan before operation. If the frame of the fan is deformed, mechanical failure may occur or specified performance may not be achieved.
- When fixing the fan with screws, ensure the screwing torque. If the screwing torque exceeds the recommended torque, the fan frame may be deformed or damaged. Use a ribbed frame when using screws to affix fans with plastic frames. To prevent loose screws, use plain washers or spring lock washers. For the screwing torque of each fan type, contact SANYO DENKI or a SANYO DENKI distributor.
- When fixing the fan with self-tapping screws, the fan frame may be damaged.
- When excessive shock is applied to the fan, the impeller may protrude from the surface of the fan frame. Make sure that the impeller does not touch covers, such as finger guards or mounting plates.
- Do not subject fans to excessive shock to avoid fan failure and performance deterioration.
- Pulling or pinching lead wires could result in damage to the wire; avoid placing excessive stress on wires. The device should be installed so that the lead wires do not come into contact with the rotor or blades. Failure to do so might result in damage or electrical shock.
- Take proper precautions against static electricity when making electrical connections. Failure to do so might cause the breakdown of the fan or device.
- Install a finger guard or other cover if there is any danger of fingers, hands, or objects coming into contact with the rotor or blades. Failure to do so might result in bodily injury or mechanical breakdown.
- Install finger guards, filters, and plates in the correct position while avoiding touching the rotor blade. Avoiding this will prevent device failure. Please use only genuine SANYO DENKI finger guards and filter kits.
- Make electrical connections properly. If not there is a possibility that the device might break, or that the product might malfunction, breakdown, or have degraded performance.

## Installation of Centrifugal Fan

- Use screws to affix the fan. For screw size of each fan type, refer to drawing or catalog.
- Do not use screws whose length exceeds the depth of the mounting screws. If the screw hole is damaged it may not be possible to affix the fan. For screw size of each fan type, refer to drawing or catalog.
- When fixing the fan with screws, ensure the screwing torque. If the screwing torque exceeds the recommended torque, the screw hole may be deformed or damaged. To prevent loose screws, use plain washers or spring lock washers. For the screwing torque of each fan type, contact SANYO DENKI or a SANYO DENKI distributor.
- Install the inlet nozzle, finger guard, and plate to the fan in the correct position while avoiding touching the rotor blade. Avoiding this will prevent device failure. Please use only genuine SANYO DENKI inlet nozzles.

## Operating environment

- Avoid using or storing the product in the following areas and environments. There is the possibility that a fire may occur, the product may malfunction, or its performance may deteriorate.  
Flammable or corrosive gas atmospheres, in places where water or oil splashes (excluding to Splash Proof or Oil Proof Fans), in places where there is much dust or humidity, in places where condensation occurs, in places where the product is exposed to radioactive rays or is in direct sunlight, in places where a salty sea breeze blows or seawater splashes, or in an environment where the product may be contaminated by such corrosive materials as sulfurous water, sulfurous volcanic ash, organic solvents, acidic chemicals, alkali chemicals, etc., or such hazardous substances as nuclear fuel materials, etc.
- Avoid using or storing the product in the following areas and environments. Doing so might result in product breakdown or substandard operation.  
Environments where it could be constantly exposed to vibrations, strong shocks, centrifugal force, acceleration (excluding G Proof Fans), magnetic or electromagnetic noise, areas in which the electromagnetic noise overlaps into power voltage, or areas subjected to rapid environmental fluctuations (temperature, humidity, etc.)

## Maintenance



- Maintenance and inspections should always be performed by personnel with sufficient training and knowledge. Otherwise, it may result in fire, burns, bodily injury, or electrical shock.
- Never perform any maintenance or inspections while the product is in operation. Also note that the blades continue to rotate for some time immediately after operation ceases. Always confirm that all rotating parts have come to a stop before beginning work. Otherwise, it may result in bodily injury.
- Never use gasoline, paint thinner, benzene, or other organic solvents to clean the product, as this could result in deformation or substandard operation.


# Safety Precautions **San Ace Controller**

Please read this instruction manual and its appendix carefully prior to installation, operation, maintenance or inspection and perform all tasks according to the instructions provided here.

A good understanding of this equipment, its safety information as well as all Warnings/Cautions is also necessary prior to operation. Matters that require attention are ranked as "Warning" and "Caution" in this document.

## Warning Symbol

 <b>Warning</b>	Denotes immediate hazards which could cause severe bodily injury or death as a result of incorrect operation.
 <b>Caution</b>	Denotes hazards which could cause bodily injury and product or property damage as a result of incorrect operation.

Even those hazards denoted by this symbol  **Caution** could lead to a serious accident. Make sure to strictly follow these safety precautions.

## **Warning**

- If the product is used in medical appliances or other types of equipment that affect people's lives, sufficient safety-related evaluations and preparations must be made in advance, and the product or the type of equipment into which the product is assembled must be used under the full responsibility of the user.
- If the product is used in types of equipment that have a strong social and public impact, sufficient prior evaluations and safety-related evaluations and preparations must be made, and the product or the type of equipment into which the product is assembled must be used under the full responsibility of the user.
- The product is not designed to be used in a car or a ship. When using the product in an environment with vibration, such as in a car or a ship, use it at your own discretion only after deploying sufficient safety measures and making prior evaluations.
- Connect all wires properly and securely. Failure to do so may result in fire, burns, or electrical shock.
- Never use in explosive atmospheres, as doing so might result in fires, burns, or bodily injury. Otherwise, it may result in fire, burns, or bodily injury.
- Do not operate the product when electronic components are exposed. Failure to do so may result in electrical shock.
- Turn off the power and stop using the product immediately if you notice any sparks, smoke, odd odors, sounds, or anything unusual during operation. Failure to do so may result in fire, bodily injury, or electrical shock.
- Never allow the product to fall, topple over, or otherwise be subjected to excessive shocks when moving it. Otherwise, it may result in product failure.
- The product should be handled only by personnel with sufficient training and knowledge and under the full responsibility of the user.
- Never attempt to disassemble, repair, or alter the product in any way. Doing so may result in fire, bodily injury, or electrical shock.

## **Caution**

### Handling

- Installation, placement, connections, wiring, or relocation of the product should be performed by knowledgeable or correctly licensed personnel. Never perform such work while the product is on. Doing so may result in fire, burns, or electrical shock.
- Never allow yourself to come into contact with the ends of wires or plugs when measuring insulation resistance or dielectric strength voltage. Failure to do so may result in electrical shock.
- Never attempt to disassemble or alter the product in any way. Doing so may invalidate any warranties concerning the functions or performance of the product, and may also result in fire, burns, bodily injury, or electrical shock.

### Operating Precautions

- This product has been designed and manufactured to be used in general industrial machinery. The product has been designed and manufactured for use in general industrial machinery, and may not be used as a standalone product.
- Take measures to protect the device from potential damage caused by the product stopping during operation.
- Never use the product at voltages, temperatures, or any other settings which exceed those given in the product specifications. This might result in substandard operation, breakdown, fire, bodily injury, or electrical shock.
- Do not remove the nameplate. Do not install the product so that the identification cannot be seen after installation.
- Turn the power supply ON/OFF using the power switch on the product. Otherwise, it may result in product failure.
- Do not use the product with a negative power supply. Otherwise, it may result in product failure.
- Do not apply excessive force to the product while it is operating. Otherwise, it may result in product failure.
- If you install and use the product in a car or a ship, we shall not be responsible for any faults caused by the environment of the car or ship in which the product is installed.

### Installation

- When fixing the product into place, be sure to take into consideration the product's weight and all other relevant factors. Failure to do so may result in the product or its parts falling, resulting in bodily injury or device failure.
- Do not block the airflow openings of the product. Failure to do so may result in device failure, product failure, or product malfunction.
- When fixing the product with screws, ensure correct tightening torque. If the tightening torque is over the recommended values, the product structure may deform or break.
- Take proper precautions against static electricity when making electrical connections. Failure to do so may result in device or product failure.
- Make electrical connections properly. Failure to do so may result in device failure, product failure, or product malfunction.
- Ensure that wires are fitted with insulation to prevent accidental short circuiting. Failure to do so may result in device failure, product failure, or product malfunction.

Please Read:

### **Operating environment**

- Do not use or store the product where it is exposed to flammable or corrosive gas, water or oil splashes, dust or humidity, condensation, radioactive rays or direct sunlight, salty air or saltwater, or where the product may be contaminated by corrosive materials such as sulfurous water, sulfurous volcanic ash, organic solvents, acidic chemicals, alkali chemicals, nuclear fuel materials, or other hazardous substances. Failure to do so may result in fire, failure, or product deterioration.
- Do not use or store the product in locations and environments where it could be constantly exposed to vibrations, strong shocks, magnetic or electromagnetic noise, or in which electromagnetic noise overlaps into power voltage. Otherwise, it may result in product failure.
- Do not use or store the product in environments subject to sudden changes in temperature and humidity. Otherwise, it may result in product failure.

### **Maintenance**

- Only certified personnel with sufficient training and knowledge should perform maintenance and inspections. Otherwise, it may result in fire, burns, bodily injury, or electrical shock.
- Perform maintenance or inspections while the product is off. Otherwise, it may result in fire, burns, bodily injury, or electrical shock.
- Never use gasoline, paint thinner, benzene, or any other organic solvents to clean the product. Otherwise, it may result in product deformation or substandard operation.

### **Radio wave**

- Disassembling or altering the radio wave circuit of this product may be punishable by law.
- This product uses a frequency band of 2.4 GHz to transmit radio waves. Radio wave interference may occur if this product is used in the vicinity of the following equipment or a radio station.
  - Industrial, scientific, or medical equipment (such as microwave ovens, wireless LAN devices, security devices, or cardiac pacemakers)
  - Radio stations for which no license is required (specific power-saving radio stations)
  - Radio stations for which a license is required (local wave stations used on factory production lines, etc. to identify moving objects, or amateur radio stations)
- If this product affects a cardiac pacemaker or other medical equipment, immediately turn OFF the power to this product.
- Do not use this product in the vicinity of a microwave oven, in a location where static electricity or electromagnetic interference occurs, or in a room shielded by metallic doors. Radio waves may not reach the target device depending on the environment.

### **Other Precautions**



- This product falls into the category of the products specified in the Appended Table 1, Item 16 (Class 90, Item 32) of the Export Trade Control Order. To export the product as an individual part or to export a product into which the product is assembled, the "Informed Condition" and "Objective Condition" that the Ministry of Economy, Trade and Industry of Japan established based on the "Catch-All Controls" must be studied for applicability. Accordingly, appropriate export formalities must be performed.
- When disposing the product, treat it as industrial waste. Please contact your local government office for further details about disposal.

# Safety Precautions **PWM Controller**

## Box type

- To ensure that the product is used safely, be sure to read and fully understand the Safety Precautions and only use the product as directed.
- Read the Safety Precautions carefully before installing, connecting, operating, maintaining, or inspecting the product.
- The product has been designed and manufactured for use in general industrial machinery, and may not be used as a standalone product.
- The product of our company (hereafter referred to as "the product") falls into the category of the products specified in the Attached List 1, Item 16 (Class 85, Item 43) of the Export Trade Control Ordinance. To export the product as an individual part or to export a device into which the product is assembled, the "Information Requirements" and "Objective Requirements" that the Ministry of Economy, Trade and Industry established based on the "Catchall Controls" must be studied for applicability. Based on information on applicability and specified requirements, appropriate export procedures must be taken.
- When disposing of the product, treat it as industrial waste. For instructions on proper disposal methods, please contact local government authorities.
- When using the product in an environment with vibration, such as in a car or a ship, use it at your own discretion only after deploying sufficient safety measures and making prior evaluations. Fully understand the Safety Precautions described in this instruction manual before using the product.

**In order to prevent any possible bodily injury or damage to property or equipment, the following precautions for ensuring safety are displayed according to the following two ranks of importance:**

 <b>Danger</b>	Handling or using the product improperly and in disregard of the instructions with this mark may result in serious bodily injury or death.
 <b>Caution</b>	Handling or using the product improperly and in disregard of the instructions with this mark may result in bodily injury or physical damage.

\* Items marked "Caution" may also result in serious bodily injury or death in some circumstances. Always follow the instructions for items marked "Danger."

## Danger

- If the product is used in medical appliances or other types of equipment that affect people's lives, sufficient safety-related evaluations and preparations must be made in advance, and the product or the type of equipment into which the product is assembled must be used under the full responsibility of the user.
- If the product is used in types of equipment that have a strong social and public impact, sufficient prior evaluations and safety-related evaluations and preparations must be made, and the product or the type of equipment into which the product is assembled must be used under the full responsibility of the user.
- The product is not designed to be used in a car or a ship. When using the product in an environment with vibration, such as in a car or a ship, use it at your own discretion only after deploying sufficient safety measures and making prior evaluations.
- Connect all wires properly and securely. Failure to do so may result in fire, burns, or electrical shock.
- Do not use the product in a location where there is flammable gas. Otherwise, it may result in fire, burns, or bodily injury.
- Do not operate the product when electronic components are exposed. Otherwise, it may result in electrical shock.
- Turn off the power and stop using the product immediately if you notice any sparks, smoke, odd odors, sounds, or anything unusual during operation. Failure to do so may result in fire, bodily injury, or electrical shock.
- Never allow the product to fall, topple over, or otherwise be subjected to excessive shocks when moving it. Otherwise, it may result in product failure.
- The product should be handled only by personnel with sufficient training and knowledge and under the full responsibility of the user.
- Never attempt to disassemble, repair, or alter the product in any way, as doing so may result in fire, burns, or electrical shock.

## Caution

### Handling

- Installation, placement, connections, wiring, or relocation of the product should be performed by knowledgeable or correctly licensed personnel. Never perform such work while the product is on. Failure to do so may result in bodily injury, fire, burns, or electrical shock.
- Never allow yourself to come into contact with the ends of wires or plugs when measuring insulation resistance or dielectric strength voltage. Otherwise, it may result in electrical shock.
- Never attempt to disassemble or alter the product in any way. Doing so may invalidate any warranties concerning the functions or performance of the product, and may also result in fire, burns, bodily injury, or electrical shock.

### Instruction

- Take measures to protect the device from potential damage caused by the product stopping during operation.
- Never use the product at voltages, temperatures, or any other settings which exceed those given in the product specifications. Otherwise, it may result in substandard operation, failure, fire, bodily injury, or electrical shock.
- Never remove the product nameplate or install the product so that the identification cannot be seen after installation. Otherwise, it may result in the product being improperly used, and subsequently result in fires.
- Do not turn the power supply ON/OFF on a ground wire. Otherwise, it may result in product failure.
- Do not apply excessive force to the product while it is operating. Otherwise, it may result in product failure.
- If you install and use the product in a car or a ship, we shall not be responsible for any faults caused by the environment of the car or ship in which the product is installed.

### Installation

- When fixing the product into place, be sure to take into consideration the product's weight and all other relevant factors. Failure to do so may result in the product or its parts falling, resulting in bodily injury or device failure.
- Never install or remove the product while it is wired.
- When fixing the product with screws, ensure correct tightening torque. If the tightening torque is over the recommended values, the product structure may deform or break.
- Take proper precautions against static electricity when making electrical connections. Failure to do so may result in device or product failure.
- Make electrical connections properly. Failure to do so may result in device failure, product failure, or product malfunction.
- Ensure that wires are fitted with insulation to prevent accidental short-circuiting. Failure to do so may result in device failure, product failure, or product malfunction.

### Operating environment

- Do not use or store the product where it is exposed to flammable or corrosive gas, water or oil splashes, dust or humidity, condensation, radioactive rays or direct sunlight, salty air or saltwater, or where the product may be contaminated by corrosive materials such as sulfurous water, sulfurous volcanic ash, organic solvents, acidic chemicals, alkali chemicals, nuclear fuel materials, or other hazardous substances. If it is used or stored in such places or environments, there is the possibility that a fire may occur, the product may malfunction or its performance may deteriorate.
- Do not use or store the product in locations and environments where it could be constantly exposed to vibrations, strong shocks, magnetic or electromagnetic noise, or in which electromagnetic noise overlaps into power voltage. Otherwise, it may result in product failure.
- Do not use or store the product in environments subject to sudden changes in temperature and humidity. Otherwise, it may result in product failure.



### Maintenance

- Only certified personnel with sufficient training and knowledge should perform maintenance and inspections. Otherwise, it may result in fire, burns, bodily injury, or electrical shock.
- Perform maintenance or inspections while the product is off. Otherwise, it may result in fire, burns, bodily injury, or electrical shock.
- Never use gasoline, paint thinner, benzene, or any other organic solvents to clean the product. Otherwise, it may result in product deformation or substandard operation.

## PCB type

- To ensure that the product is used safely, be sure to read and fully understand the Safety Precautions and only use the product as directed.
- Read the Safety Precautions carefully before installing, connecting, operating, maintaining, or inspecting the product.
- The product has been designed and manufactured for use in general industrial machinery, and may not be used as a standalone product.
- The product of our company (hereafter referred to as "the product") falls into the category of the products specified in the Attached List 1, Item 16 (Class 85, Item 43) of the Export Trade Control Ordinance. To export the product as an individual part or to export a product into which the product is assembled, the "Information Requirements" and "Objective Requirements" that the Ministry of Economy, Trade and Industry established based on the "Catchall Controls" must be studied for applicability. Based on information on applicability and specified requirements, appropriate export formalities must be performed.
- When disposing of the product, treat it as industrial waste. For instructions on proper disposal methods, please contact local government authorities.
- When using the product in an environment with vibration, such as in a car or a ship, use it at your own discretion only after deploying sufficient safety measures and making prior evaluations. Fully understand the Safety Precautions described in this instruction manual before using the product.

**In order to prevent any possible bodily injury or damage to property or equipment, the following precautions for ensuring safety are displayed according to the following two ranks of importance:**

 <b>Danger</b>	Handling or using the product improperly and in disregard of the instructions with this mark may result in serious bodily injury or death.
 <b>Caution</b>	Handling or using the product improperly and in disregard of the instructions with this mark may result in bodily injury or physical damage.

\* Items marked 'Caution' may also result in serious bodily injury or death in some circumstances. Always follow the instructions for items marked 'Danger.'

### **Danger**

- If the product is used in medical appliances or other types of equipment that affect people's lives, sufficient safety-related evaluations and preparations must be made in advance, and the product or the type of equipment into which the product is assembled must be used under the full responsibility of the user.
- If the product is used in types of equipment that have a strong social and public impact, sufficient prior evaluations and safety-related evaluations and preparations must be made, and the product or the type of equipment into which the product is assembled must be used under the full responsibility of the user.
- The product is not designed to be used in a car or a ship. When using the product in an environment with vibration, such as in a car or a ship, use it at your own discretion only after deploying sufficient safety measures and making prior evaluations.
- Connect all wires properly and securely. Failure to do so may result in fire, burns, or electrical shock.
- Do not use this product in a location where there is flammable gas. Otherwise, it may result in fire, burns, or bodily injury.
- Only use the product integrated with another device or system. Failure to do so may result in burns or electrical shock.
- Do not touch the product while it is operating. Otherwise, it may result in burns or electrical shock.
- Turn off the power and stop using the product immediately if you notice any sparks, smoke, odd odors, sounds, or anything unusual during operation. Failure to do so may result in fire, bodily injury, or electrical shock.
- Never allow the product to fall, topple over, or otherwise be subjected to excessive shocks when moving it. Otherwise, it may result in product failure.
- The product should be handled only by personnel with sufficient training and knowledge and under the full responsibility of the user.
- Never attempt to disassemble, repair, or alter the product in any way. Failure to do so may result in fire, bodily injury, or electrical shock.

### **Caution**

#### Handling

- Discharge static electricity from your body before handling the product. In addition, avoid packaging or covering the product with materials which generate static electricity. Contact with static electricity may result in product failure.
- Do not touch solder joints or pins. Otherwise, it may result in bodily injury.
- Installation, placement, connections, wiring, or relocation of the product should be performed by knowledgeable or correctly licensed personnel. Never perform such work while the product is on. Failure to do so may result in bodily injury, fire, burns, or electrical shock.
- Never allow yourself to come into contact with the ends of wires or plugs when measuring insulation resistance or dielectric strength voltage. Otherwise, it may result in electrical shock.
- Never attempt to disassemble or alter the product in any way. Doing so may invalidate any warranties concerning the functions or performance of the product, and may also result in fire, burns, bodily injury, or electrical shock.

#### Instruction

- Do not touch the product for a period after the power has been turned off as it may still be hot. Otherwise, it may result in burns.
- Take measures to protect the device from potential damage caused by the product stopping during operation.
- Never use the product at voltages, temperatures, or any other settings which exceed those given in the product specifications. Otherwise, it may result in substandard operation, failure, fire, bodily injury, or electrical shock.
- Never remove the product nameplate or install the product so that the identification cannot be seen after installation. Otherwise, it may result in the product being improperly used, and subsequently result in fires.
- Do not turn the power supply ON/OFF on a ground wire. Otherwise, it may result in product failure.
- Do not apply excessive force to the product while it is operating. Otherwise, it may result in product failure.
- If you install and use the product in a car or a ship, we shall not be responsible for any faults caused by the environment of the car or ship in which the product is installed.

#### Installation

- When fixing the product into place, be sure to take into consideration the product's weight and all other relevant factors. Failure to do so may result in the product or its parts falling, resulting in bodily injury or device failure.
- Never install or remove the product while it is wired.
- When fixing the product with screws, ensure correct tightening torque. If the tightening torque is over the recommended values, the product structure may deform or break.
- Install the product carefully without touching conductors or other electrical components. Touching these components may result in device failure, product failure, or product malfunction.
- Take proper precautions against static electricity when making electrical connections. Failure to do so may result in device or product failure.
- Make electrical connections properly. Failure to do so may result in device failure, product failure, or product malfunction.
- Ensure that wires are not allowed to short-circuit. Failure to do so may result in device failure, product failure, or product malfunction.

#### Operating environment

- Do not use or store the product where it is exposed to flammable or corrosive gas, water or oil splashes, dust or humidity, condensation, radioactive rays or direct sunlight, salty air or saltwater, or where the product may be contaminated by corrosive materials such as sulfurous water, sulfurous volcanic ash, organic solvents, acidic chemicals, alkali chemicals, nuclear fuel materials, or other hazardous substances. If it is used or stored in such places or environments, there is the possibility that a fire may occur, the product may malfunction or its performance may deteriorate.
- Do not use or store the product in locations and environments where it could be constantly exposed to vibrations, strong shocks, magnetic or electromagnetic noise, or in which electromagnetic noise overlaps into power voltage. Otherwise, it may result in product failure.
- Do not use or store the product in environments subject to sudden changes in temperature and humidity. Otherwise, it may result in product failure.

#### Maintenance



- Only certified personnel with sufficient training and knowledge should perform maintenance and inspections. Otherwise, it may result in fire, burns, bodily injury, or electrical shock.
- Perform maintenance or inspections while the product is off. Otherwise, it may result in fire, burns, bodily injury, or electrical shock.
- Never use gasoline, paint thinner, benzene, or any other organic solvents to clean the product. Otherwise, it may result in product deformation or substandard operation.


# Safety Precautions Airflow Tester

Please read the instruction manual and its appendix carefully prior to installation, operation, maintenance or inspection and perform all tasks according to the instructions provided here.



A good understanding of this equipment, its safety information as well as all Warnings/Cautions is also necessary prior to operation. Matters that require attention are ranked as "Danger", "Warning", and "Caution" in this document.

## Warning symbols

 <b>Warning</b>	Denotes immediate hazards which could cause severe bodily injury or death as a result of incorrect operation.
 <b>Caution</b>	Denotes hazards which could cause bodily injury and product or property damage as a result of incorrect operation.

 **Caution** Even those hazards denoted by this symbol could lead to a serious accident. Make sure to strictly follow these safety precautions.

## Prohibited, mandatory symbols

	Indicates actions that must not be allowed to occur / prohibited actions.
	Indicates actions that must be carried out / mandatory actions.

## **Warning**

### Operating precautions

- Avoid using the product in the presence of flammable, explosive, or corrosive gases, locations subjected to splashing water or oil, or near combustibles. Otherwise, it may result in electric shock, bodily injury, fire, product failure, or damage.
- Turn off the power before performing any wiring, maintenance, or inspection. Once the power is off, remove the AC power cable, and confirm that the POWER LED is off before performing these tasks. Failure to do so may result in electric shock.
- Operate the product with dry hands. Failure to do so may result in electric shock.
- Never attempt to disassemble or alter the product in any way. Otherwise, it may result in electric shock, bodily injury, fire, product failure, or damage.
- Do not damage the AC power cable. Otherwise, it may result in electric shock, bodily injury, fire, product failure, or damage.
- If the product emits unusual noise, odors, or smoke, or if water or other liquids enter the product, immediately turn off the power and disconnect the power cable. Otherwise, it may result in electric shock, bodily injury, fire, product failure, or damage.
- Read the instruction manual carefully prior to using the product. Failure to do so may result in electric shock, bodily injury, fire, product failure, or damage.
- Always use the supplied AC power cable if included. Using an AC power cable with inappropriate ratings may result in electric shock, bodily injury, fire, product failure, or damage.
- If an AC power cable is not included, please prepare a cable matching the specifications listed in section 9.2 "Specifications" of Instruction Manual. Using an AC power cable with inappropriate ratings may result in electric shock, bodily injury, fire, product failure, or damage.
- Prior to turning on the power, be sure to ground the product by connecting it to a grounded outlet. Insufficient grounding may result in electric shock, bodily injury, fire, product failure, or damage.

## **Caution**

### Operating precautions

- Avoid using the product near bodies of salt water or other locations susceptible to salt damage. Otherwise, it may result in product failure or damage caused by salt.
- Due to the internal power supply, certain sections of the product may experience an elevation in temperature that may cause a burn or bodily injury.
- Do not use the product outside its specifications. Otherwise, it may result in electric shock, bodily injury, fire, product failure, or damage.
- Do not use the product if it is defective, damaged, or burnt out. Otherwise, it may result in electric shock, bodily injury, or fire.
- When not using the product, turn off the power and unplug the AC power cable. Failure to do so may result in electric shock, bodily injury, fire, product failure, or damage.

### Transportation

- Excess stacking may cause the load to collapse so follow the directions written on the outside box. Failure to do so may result in bodily injury or damage.
- Handle the product with care during transportation, as it is dangerous if dropped. Failure to do so may result in bodily injury.
- The product is heavy so handle with care. Failure to do so may result in bodily injury.

### Handling

- Do not apply excessive stress or place heavy objects on the product. Otherwise, it may result in electric shock, bodily injury, product failure, or damage.
- Transport the product using the carrying handle. Failure to do so may result in bodily injury, product failure, or damage.
- Do not drop the product or subject it to excessive shock of any kind. Otherwise, it may result in product failure or damage.
- If the connection duct or tripod is attached to the main unit, make sure it does not tip over or drop while moving. Otherwise, it may result in bodily injury, product failure, or damage.
- Only use the product as specified in this instruction manual. Failure to do so may result in product failure or damage.
- Make sure that the intake and exhaust vents are free of debris and foreign matter. Otherwise, it may result in bodily injury, product failure, or damage.
- Mount the product on incombustible material below 60°C. Failure to do so may result in fire, product failure, or damage.



### Connecting the AC power cable

- Connect the AC power cable as instructed by the instruction manual. Failure to do so may result in electric shock, bodily injury, fire, product failure, or damage.

### Operation

- Operate the product within the specified input-power voltage to maintain stability. Otherwise, it may result in electric shock, bodily injury, fire, product failure, or damage.
- The auxiliary fan rotates during operation. Make sure that the intake and exhaust vents are free of debris and foreign matter.
- Keep hands away from the exhaust vent. Failure to do so may result in bodily injury, fire, product failure, or damage.

### Maintenance and inspection

- Some parts of the product (fan motor, gasket, electrolytic condenser, sensor, LED, switches) can deteriorate with long-term use. As preventive maintenance, perform periodic maintenance and inspection to maintain measuring accuracy. For details on maintenance, inspection, and repair, please contact SANYO DENKI. Disassembly is not to be performed by the end-user. Disassembly may result in electric shock, bodily injury, fire, malfunction, product failure, or damage.

## Prohibited

### Handling

- Do not scratch the connection duct with sharp objects as it may tear or damage the material.

### Operation

- Applying voltage outside the input voltage range may result in electric shock, bodily injury, fire, product failure, or damage. Never use voltages outside of specification.
- Keep the USB serial adapter away from static electricity and high voltage. Failure to do so may result in failure or damage.
- Do not use a polarized grounding adapter with the product. Otherwise, it may result in electric shock, bodily injury, fire, product failure, or damage.

### Storage

- Do not store the product where it could be exposed to rain, water, toxic gases, or other liquids. Failure to do so may result in product failure or damage.

### Maintenance and inspection

- Do not perform disassembly, inspection, or repairs. Otherwise, it may result in electric shock, bodily injury, fire, product failure, or damage.
- Do not measure the insulation resistance or the pressure resistance. Otherwise, it may result in product failure or damage.
- Never unplug the AC power cable while the power is on as the resulting surge voltage may damage electronic components. Otherwise, it may result in electric shock, bodily injury, or fire.
- Do not remove the nameplate attached to the product. Doing so voids the warranty.
- Do not wipe the product with benzene, paint thinner, or other solvents. Otherwise, it may result in deformation, deterioration, discoloration, product failure, or damage.

## Mandatory

### Operation

- In the case of any irregular operation, stop the device immediately. Otherwise, it may result in electric shock, bodily injury, fire, product failure, or damage.
- As a provisional measure, ensure that the power can be turned off at any time. Inability to turn off the power may result in electric shock, bodily injury, fire, product failure, or damage.
- If an error occurs, eliminate the cause and ensure safety before resuming.
- Use the product within the specified temperature and humidity range. Failure to do so may result in product failure or damage.  
Temperature: 0°C to 40°C / Humidity 20 to 85% RH (non-condensing)
- Be sure to use the supplied AC power cable to prevent electric shock, bodily injury, fire, product failure, or damage.
- Be sure to prepare a cable matching the ratings listed in section 9.2 "Specifications" of Instruction Manual to prevent electric shock, bodily injury, fire, product failure, or damage.
- Prior to turning on the power, be sure to ground the product by connecting it to a grounded outlet to prevent electric shock, bodily injury, fire, product failure, or damage.

### Storage

- Store the product in a location that is not exposed to direct sunlight, at a temperature and humidity within specifications. Failure to do so may result in product failure.
- If the product has been stored for a long period, contact SANYO DENKI. There is the possibility that components may have deteriorated and require maintenance.

### Disposal

- When disposing of the product, treat it as industrial waste.

# Index by Model No. - DC Fans **DC**

Models listed in product pages	List of models (Below are optional models and not listed in product pages. Standard compliance of these optional models may differ from that of the models listed in product pages. Contact us for details of "—" models.)				Frame size	Rib	page
	Without sensor	With pulse sensor	With lock sensor	With PWM control function and pulse sensor			
	109BC12FC7-1	109BC12FA7-1	▶▶ 109BC12FC7-1	109BC12FD7-1			
109BC12GC7-1	▶▶ 109BC12GA7-1	▶▶ 109BC12GC7-1	109BC12GD7-1	—	52 × 15 mm	—	470
109BC12HC7-1	▶▶ 109BC12HA7-1	▶▶ 109BC12HC7-1	109BC12HD7-1	—	52 × 15 mm	—	470
109BC12MC7-1	109BC12MA7-1	▶▶ 109BC12MC7-1	▶▶ 109BC12MD7-1	—	52 × 15 mm	—	470
109BC24FC7-1	▶▶ 109BC24FA7-1	109BC24FC7-1	109BC24FD7-1	—	52 × 15 mm	—	470
109BC24GC7-1	▶▶ 109BC24GA7-1	▶▶ 109BC24GC7-1	▶▶ 109BC24GD7-1	—	52 × 15 mm	—	470
109BC24HC7-1	109BC24HA7-1	▶▶ 109BC24HC7-1	109BC24HD7-1	—	52 × 15 mm	—	470
109BD12FC2	▶▶ 109BD12FA2	▶▶ 109BD12FC2	▶▶ 109BD12FD2	—	76 × 30 mm	—	474
109BD12HC2	▶▶ 109BD12HA2	▶▶ 109BD12HC2	▶▶ 109BD12HD2	109BD12P2H01	76 × 30 mm	—	474
109BD12MC2	▶▶ 109BD12MA2	▶▶ 109BD12MC2	109BD12MD2	—	76 × 30 mm	—	474
109BD24FC2	▶▶ 109BD24FA2	▶▶ 109BD24FC2	109BD24FD2	—	76 × 30 mm	—	474
109BD24HC2	▶▶ 109BD24HA2	▶▶ 109BD24HC2	▶▶ 109BD24HD2	—	76 × 30 mm	—	474
109BD24MC2	▶▶ 109BD24MA2	▶▶ 109BD24MC2	▶▶ 109BD24MD2	—	76 × 30 mm	—	474
109BG12HC1	▶▶ 109BG12HA1	▶▶ 109BG12HC1	▶▶ 109BG12HD1	—	160 × 40 mm	—	490
109BG12MC1	▶▶ 109BG12MA1	▶▶ 109BG12MC1	109BG12MD1	—	160 × 40 mm	—	490
109BG24HC1	▶▶ 109BG24HA1	▶▶ 109BG24HC1	▶▶ 109BG24HD1	—	160 × 40 mm	—	490
109BG24MC1	109BG24MA1	▶▶ 109BG24MC1	109BG24MD1	—	160 × 40 mm	—	490
109BJ12HC2	▶▶ 109BJ12HA2	▶▶ 109BJ12HC2	109BJ12HD2	—	127 × 32 mm	—	488
109BJ12MC2	109BJ12MA2	▶▶ 109BJ12MC2	109BJ12MD2	—	127 × 32 mm	—	488
109BJ24HC2	109BJ24HA2	▶▶ 109BJ24HC2	▶▶ 109BJ24HD2	—	127 × 32 mm	—	488
109BJ24MC2	▶▶ 109BJ24MA2	109BJ24MC2	109BJ24MD2	—	127 × 32 mm	—	488
109BM12GC2-1	109BM12GA2-1	109BM12GC2-1	109BM12GD2-1	—	97 × 33 mm	—	484
109BM12HC2-1	109BM12HA2-1	109BM12HC2-1	109BM12HD2-1	—	97 × 33 mm	—	484
109BM12MC2-1	109BM12MA2-1	109BM12MC2-1	109BM12MD2-1	109BM12P2M01	97 × 33 mm	—	484
109BM24GC2-1	109BM24GA2-1	109BM24GC2-1	109BM24GD2-1	—	97 × 33 mm	—	484
109BM24HC2-1	109BM24HA2-1	109BM24HC2-1	109BM24HD2-1	—	97 × 33 mm	—	484
109BM24MC2-1	109BM24MA2-1	109BM24MC2-1	109BM24MD2-1	—	97 × 33 mm	—	484
109E1312A101	109E1312A102	109E1312A101	109E1312A1D01	—	127 × 127 × 38 mm	No	185
109E1312S101	109E1312S102	109E1312S101	109E1312S1D01	—	127 × 127 × 38 mm	No	185
109E1324A101	109E1324A102	109E1324A101	109E1324A1D01	—	127 × 127 × 38 mm	No	185
109E1324G101	109E1324G102	109E1324G101	109E1324G1D01	—	127 × 127 × 38 mm	No	185
109E1324S101	109E1324S102	109E1324S101	109E1324S1D01	—	127 × 127 × 38 mm	No	185
109E1348A101	109E1348A102	109E1348A101	109E1348A1D01	—	127 × 127 × 38 mm	No	185
109E1348G101	109E1348G102	109E1348G101	109E1348G1D01	—	127 × 127 × 38 mm	No	185
109E1348S101	109E1348S102	109E1348S101	109E1348S1D01	—	127 × 127 × 38 mm	No	185
109E1712F501	109E1712F502	109E1712F501	109E1712F5D01	—	∅172 × 51 mm	No	211
109E1712H501	▶▶ 109E1712H502	▶▶ 109E1712H501	109E1712H5D01	—	∅172 × 51 mm	No	211
109E1712K501	109E1712K502	▶▶ 109E1712K501	—	—	∅172 × 51 mm	No	211
109E1712M501	109E1712M502	▶▶ 109E1712M501	—	—	∅172 × 51 mm	No	211
109E1712Y501	109E1712Y502	109E1712Y501	—	—	∅172 × 51 mm	No	211
109E1724C501	109E1724C502	▶▶ 109E1724C501	109E1724C5D01	9EH1724P5C01	∅172 × 51 mm	No	211
109E1724F501	109E1724F502	109E1724F501	109E1724F5D01	—	∅172 × 51 mm	No	211
109E1724H501	▶▶ 109E1724H502	▶▶ 109E1724H501	▶▶ 109E1724H5D01	—	∅172 × 51 mm	No	211
109E1724K501	▶▶ 109E1724K502	▶▶ 109E1724K501	▶▶ 109E1724K5D01	—	∅172 × 51 mm	No	211
109E1724M501	▶▶ 109E1724M502	▶▶ 109E1724M501	109E1724M5D01	—	∅172 × 51 mm	No	211
109E1748C501	109E1748C502	▶▶ 109E1748C501	—	—	∅172 × 51 mm	No	211
109E1748F501	109E1748F502	109E1748F501	—	—	∅172 × 51 mm	No	211
109E1748H501	109E1748H502	▶▶ 109E1748H501	109E1748H5D01	—	∅172 × 51 mm	No	211
109E1748K501	109E1748K502	109E1748K501	—	109E1748P5K03	∅172 × 51 mm	No	211
109E1748M501	109E1748M502	109E1748M501	—	—	∅172 × 51 mm	No	211
109E4712L401	109E4712L402	109E4712L401	109E4712L4D01	—	∅172 × 147 × 25 mm	No	198
109E4712M401	109E4712M402	109E4712M401	109E4712M4D01	—	∅172 × 147 × 25 mm	No	198
109E4724F401	109E4724F402	109E4724F401	109E4724F4D01	—	∅172 × 147 × 25 mm	No	198
109E4724H401	109E4724H402	109E4724H401	109E4724H4D01	109E4724P4H01	∅172 × 147 × 25 mm	No	198
109E4724L401	109E4724L402	109E4724L401	109E4724L4D01	—	∅172 × 147 × 25 mm	No	198
109E4724M401	109E4724M402	109E4724M401	109E4724M4D01	—	∅172 × 147 × 25 mm	No	198
109E4748F401	109E4748F402	109E4748F401	109E4748F4D01	—	∅172 × 147 × 25 mm	No	198
109E4748H401	109E4748H402	109E4748H401	109E4748H4D01	—	∅172 × 147 × 25 mm	No	198
109E4748L401	109E4748L402	109E4748L401	109E4748L4D01	—	∅172 × 147 × 25 mm	No	198
109E4748M401	109E4748M402	109E4748M401	109E4748M4D01	—	∅172 × 147 × 25 mm	No	198
109E4748S401	109E4748S402	109E4748S401	109E4748S4D01	—	∅172 × 147 × 25 mm	No	198

For compliance with standards, see individual product pages. Please contact your point of sale regarding low-speed sensors. The ▶▶ mark indicates Short Lead Time Service applicable models. See p. 626 for details.

Models listed in product pages	List of models (Below are optional models and not listed in product pages. Standard compliance of these optional models may differ from that of the models listed in product pages. Contact us for details of "—" models.)				Frame size	Rib	page
	Without sensor	With pulse sensor	With lock sensor	With PWM control function and pulse sensor			
	109E5712F501	109E5712F502	109E5712F501	—			
109E5712H501	☺ 109E5712H502	☺ 109E5712H501	109E5712H5D01	—	∅172 × 150 × 51 mm	No	208
109E5712K501	109E5712K502	☺ 109E5712K501	109E5712K5D01	109E5712P5K04	∅172 × 150 × 51 mm	No	208
109E5712M501	109E5712M502	109E5712M501	109E5712M5D01	—	∅172 × 150 × 51 mm	No	208
109E5712Y501	109E5712Y502	109E5712Y501	—	—	∅172 × 150 × 51 mm	No	208
109E5724C501	☺ 109E5724C502	☺ 109E5724C501	☺ 109E5724C5D01	9EH5724P5C01	∅172 × 150 × 51 mm	No	208
109E5724F501	109E5724F502	109E5724F501	—	—	∅172 × 150 × 51 mm	No	208
109E5724H501	☺ 109E5724H502	☺ 109E5724H501	☺ 109E5724H5D01	—	∅172 × 150 × 51 mm	No	208
109E5724K501	☺ 109E5724K502	☺ 109E5724K501	109E5724K5D01	—	∅172 × 150 × 51 mm	No	208
109E5724M501	☺ 109E5724M502	☺ 109E5724M501	—	—	∅172 × 150 × 51 mm	No	208
109E5748C501	109E5748C502	109E5748C501	—	—	∅172 × 150 × 51 mm	No	208
109E5748F501	109E5748F502	109E5748F501	—	—	∅172 × 150 × 51 mm	No	208
109E5748H501	109E5748H502	☺ 109E5748H501	109E5748H5D01	—	∅172 × 150 × 51 mm	No	208
109E5748K501	☺ 109E5748K502	☺ 109E5748K501	—	—	∅172 × 150 × 51 mm	No	208
109E5748M501	109E5748M502	109E5748M501	—	—	∅172 × 150 × 51 mm	No	208
109L1712H501	109L1712H502	109L1712H501	109L1712H5D01	—	∅172 × 51 mm	No	420
109L1712M501	109L1712M502	109L1712M501	109L1712M5D01	—	∅172 × 51 mm	No	420
109L1724H501	109L1724H502	109L1724H501	109L1724H5D01	—	∅172 × 51 mm	No	420
109L1724M501	109L1724M502	109L1724M501	109L1724M5D01	—	∅172 × 51 mm	No	420
109L1748H501	109L1748H502	109L1748H501	109L1748H5D01	—	∅172 × 51 mm	No	420
109L1748M501	109L1748M502	109L1748M501	109L1748M5D01	—	∅172 × 51 mm	No	420
109L5712H501	109L5712H502	109L5712H501	109L5712H5D01	—	∅172 × 150 × 51 mm	No	418
109L5712M501	109L5712M502	109L5712M501	109L5712M5D01	—	∅172 × 150 × 51 mm	No	418
109L5724H501	109L5724H502	109L5724H501	109L5724H5D01	—	∅172 × 150 × 51 mm	No	418
109L5724M501	109L5724M502	109L5724M501	109L5724M5D01	—	∅172 × 150 × 51 mm	No	418
109L5748H501	109L5748H502	109L5748H501	109L5748H5D01	—	∅172 × 150 × 51 mm	No	418
109L5748M501	109L5748M502	109L5748M501	109L5748M5D01	—	∅172 × 150 × 51 mm	No	418
109P0405F3013	109P0405F3023	☺ 109P0405F3013	☺ 109P0405F3D013	—	40 × 40 × 28 mm	Yes	51
109P0405F601	☺ 109P0405F602	☺ 109P0405F601	☺ 109P0405F6D01	—	40 × 40 × 20 mm	Yes	34
109P0405H3013	☺ 109P0405H3023	☺ 109P0405H3013	☺ 109P0405H3D013	—	40 × 40 × 28 mm	Yes	51
109P0405H601	☺ 109P0405H602	☺ 109P0405H601	☺ 109P0405H6D01	—	40 × 40 × 20 mm	Yes	34
109P0405H701	☺ 109P0405H702	☺ 109P0405H701	☺ 109P0405H7D01	—	40 × 40 × 15 mm	Yes	27
109P0405H901	☺ 109P0405H902	☺ 109P0405H901	☺ 109P0405H9D01	—	40 × 40 × 10 mm	Yes	23
109P0405J601	109P0405J602	☺ 109P0405J601	—	—	40 × 40 × 20 mm	Yes	34
109P0405M601	☺ 109P0405M602	☺ 109P0405M601	☺ 109P0405M6D01	—	40 × 40 × 20 mm	Yes	34
109P0405M701	☺ 109P0405M702	☺ 109P0405M701	☺ 109P0405M7D01	—	40 × 40 × 15 mm	Yes	27
109P0405M901	☺ 109P0405M902	☺ 109P0405M901	☺ 109P0405M9D01	—	40 × 40 × 10 mm	Yes	23
109P0412B3013	☺ 109P0412B3023	☺ 109P0412B3013	☺ 109P0412B3D013	109P0412P3B013	40 × 40 × 28 mm	Yes	51
109P0412D601	☺ 109P0412D602	☺ 109P0412D601	☺ 109P0412D6D01	—	40 × 40 × 20 mm	Yes	34
109P0412E601	☺ 109P0412E602	☺ 109P0412E601	☺ 109P0412E6D01	—	40 × 40 × 20 mm	Yes	34
109P0412F3013	☺ 109P0412F3023	☺ 109P0412F3013	☺ 109P0412F3D013	—	40 × 40 × 28 mm	Yes	51
109P0412F601	☺ 109P0412F602	☺ 109P0412F601	☺ 109P0412F6D01	—	40 × 40 × 20 mm	Yes	34
109P0412G3013	☺ 109P0412G3023	☺ 109P0412G3013	☺ 109P0412G3D013	—	40 × 40 × 28 mm	Yes	51
109P0412G601	☺ 109P0412G602	☺ 109P0412G601	☺ 109P0412G6D01	—	40 × 40 × 20 mm	Yes	34
109P0412H3013	☺ 109P0412H3023	☺ 109P0412H3013	☺ 109P0412H3D013	109P0412P3H013	40 × 40 × 28 mm	Yes	51
109P0412H601	☺ 109P0412H602	☺ 109P0412H601	☺ 109P0412H6D01	—	40 × 40 × 20 mm	Yes	34
109P0412H701	☺ 109P0412H702	☺ 109P0412H701	☺ 109P0412H7D01	—	40 × 40 × 15 mm	Yes	27
109P0412H901	☺ 109P0412H902	☺ 109P0412H901	☺ 109P0412H9D01	109P0412P9H01	40 × 40 × 10 mm	Yes	23
109P0412J3013	☺ 109P0412J3023	☺ 109P0412J3013	☺ 109P0412J3D013	9PH0412P3J013	40 × 40 × 28 mm	Yes	51
109P0412K3013	☺ 109P0412K3023	☺ 109P0412K3013	☺ 109P0412K3D013	9PH0412P3K033	40 × 40 × 28 mm	Yes	51
109P0412M3013	☺ 109P0412M3023	☺ 109P0412M3013	☺ 109P0412M3D013	—	40 × 40 × 28 mm	Yes	51
109P0412M601	☺ 109P0412M602	☺ 109P0412M601	109P0412M6D01	—	40 × 40 × 20 mm	Yes	34
109P0412M701	☺ 109P0412M702	☺ 109P0412M701	☺ 109P0412M7D01	—	40 × 40 × 15 mm	Yes	27
109P0412M901	☺ 109P0412M902	☺ 109P0412M901	☺ 109P0412M9D01	—	40 × 40 × 10 mm	Yes	23
109P0412R701	109P0412R702	☺ 109P0412R701	109P0412R7D01	—	40 × 40 × 15 mm	Yes	27
109P0412S701	☺ 109P0412S702	☺ 109P0412S701	☺ 109P0412S7D01	—	40 × 40 × 15 mm	Yes	27
109P0424B3013	109P0424B3023	☺ 109P0424B3013	☺ 109P0424B3D013	—	40 × 40 × 28 mm	Yes	51
109P0424B601	☺ 109P0424B602	☺ 109P0424B601	☺ 109P0424B6D01	—	40 × 40 × 20 mm	Yes	34
109P0424D601	☺ 109P0424D602	☺ 109P0424D601	☺ 109P0424D6D01	—	40 × 40 × 20 mm	Yes	34
109P0424F3013	☺ 109P0424F3023	☺ 109P0424F3013	☺ 109P0424F3D013	—	40 × 40 × 28 mm	Yes	51
109P0424F601	☺ 109P0424F602	☺ 109P0424F601	☺ 109P0424F6D01	—	40 × 40 × 20 mm	Yes	34

For compliance with standards, see individual product pages. Please contact your point of sale regarding low-speed sensors. The ☺ mark indicates Short Lead Time Service applicable models. See p. 626 for details.

Models listed in product pages	List of models (Below are optional models and not listed in product pages. Standard compliance of these optional models may differ from that of the models listed in product pages. Contact us for details of "—" models.)				Frame size	Rib	page
	Without sensor	With pulse sensor	With lock sensor	With PWM control function and pulse sensor			
	109P0424G3013	▶▶ 109P0424G3023	▶▶ 109P0424G3013	109P0424G3D013			
109P0424G601	109P0424G602	▶▶ 109P0424G601	109P0424G6D01	—	40 × 40 × 20 mm	Yes	34
109P0424H3013	▶▶ 109P0424H3023	▶▶ 109P0424H3013	▶▶ 109P0424H3D013	—	40 × 40 × 28 mm	Yes	51
109P0424H601	▶▶ 109P0424H602	▶▶ 109P0424H601	▶▶ 109P0424H6D01	—	40 × 40 × 20 mm	Yes	34
109P0424H901	109P0424H902	109P0424H901	109P0424H9D01	—	40 × 40 × 10 mm	Yes	23
109P0424H701	▶▶ 109P0424H702	▶▶ 109P0424H701	▶▶ 109P0424H7D01	—	40 × 40 × 15 mm	Yes	27
109P0424J3013	▶▶ 109P0424J3023	▶▶ 109P0424J3013	▶▶ 109P0424J3D013	—	40 × 40 × 28 mm	Yes	51
109P0424R3013	109P0424R3023	109P0424R3013	—	—	40 × 40 × 28 mm	Yes	51
109P0505M701	▶▶ 109P0505M702	▶▶ 109P0505M701	▶▶ 109P0505M7D01	—	52 × 52 × 15 mm	Yes	58
109P0812C601	109P0812C602	109P0812C601	109P0812C6D01	—	80 × 80 × 20 mm	Yes	99
109P0812H601	▶▶ 109P0812H602	▶▶ 109P0812H601	▶▶ 109P0812H6D01	—	80 × 80 × 20 mm	Yes	99
109P0812H701	▶▶ 109P0812H702	▶▶ 109P0812H701	▶▶ 109P0812H7D01	—	80 × 80 × 15 mm	Yes	94
109P0812M601	▶▶ 109P0812M602	▶▶ 109P0812M601	▶▶ 109P0812M6D01	—	80 × 80 × 20 mm	Yes	99
109P0812M701	▶▶ 109P0812M702	▶▶ 109P0812M701	▶▶ 109P0812M7D01	—	80 × 80 × 15 mm	Yes	94
109P0824H601	▶▶ 109P0824H602	▶▶ 109P0824H601	▶▶ 109P0824H6D01	—	80 × 80 × 20 mm	Yes	99
109P0824H701	▶▶ 109P0824H702	▶▶ 109P0824H701	▶▶ 109P0824H7D01	—	80 × 80 × 15 mm	Yes	94
109P0824M601	▶▶ 109P0824M602	▶▶ 109P0824M601	▶▶ 109P0824M6D01	—	80 × 80 × 20 mm	Yes	99
109P0824M701	▶▶ 109P0824M702	▶▶ 109P0824M701	109P0824M7D01	—	80 × 80 × 15 mm	Yes	94
109P0848C601	109P0848C602	109P0848C601	109P0848C6D01	—	80 × 80 × 20 mm	Yes	99
109P0848H601	—	109P0848H601	109P0848H6D01	—	80 × 80 × 20 mm	Yes	99
109P1312H101	109P1312H102	109P1312H101	109P1312H1D01	—	127 × 127 × 38 mm	Yes	188
109P1312H1011	109P1312H1021	109P1312H1011	109P1312H1D011	—	127 × 127 × 38 mm	No	188
109P1312S101	109P1312S102	109P1312S101	109P1312S1D01	—	127 × 127 × 38 mm	Yes	188
109P1312S1011	109P1312S1021	109P1312S1011	109P1312S1D011	—	127 × 127 × 38 mm	No	188
109P1324H101	109P1324H102	109P1324H101	109P1324H1D01	—	127 × 127 × 38 mm	Yes	188
109P1324H1011	109P1324H1021	109P1324H1011	109P1324H1D011	—	127 × 127 × 38 mm	No	188
109P1324S101	109P1324S102	109P1324S101	109P1324S1D01	—	127 × 127 × 38 mm	Yes	188
109P1324S1011	109P1324S1021	109P1324S1011	109P1324S1D011	—	127 × 127 × 38 mm	No	188
109P1348H101	109P1348H102	109P1348H101	109P1348H1D01	—	127 × 127 × 38 mm	Yes	188
109P1348H1011	109P1348H1021	109P1348H1011	109P1348H1D011	—	127 × 127 × 38 mm	No	188
109P1348S101	109P1348S102	109P1348S101	109P1348S1D01	—	127 × 127 × 38 mm	Yes	188
109P1348S1011	109P1348S1021	109P1348S1011	109P1348S1D011	—	127 × 127 × 38 mm	No	188
109P1412H101	109P1412H102	109P1412H101	109P1412H1D01	—	140 × 140 × 38 mm	Yes	194
109P1412M101	109P1412M102	109P1412M101	—	—	140 × 140 × 38 mm	Yes	194
109P1424H101	109P1424H102	109P1424H101	109P1424H1D01	—	140 × 140 × 38 mm	Yes	194
109P1424M101	109P1424M102	109P1424M101	—	—	140 × 140 × 38 mm	Yes	194
109P1448H101	109P1448H102	109P1448H101	—	—	140 × 140 × 38 mm	Yes	194
109P1448M101	109P1448M102	109P1448M101	—	—	140 × 140 × 38 mm	Yes	194
109R0605F401	▶▶ 109R0605F402	▶▶ 109R0605F401	▶▶ 109R0605F4D01	—	60 × 60 × 25 mm	Yes	73
109R0605F4011	109R0605F4021	109R0605F4011	—	—	60 × 60 × 25 mm	No	73
109R0605H401	▶▶ 109R0605H402	▶▶ 109R0605H401	▶▶ 109R0605H4D01	—	60 × 60 × 25 mm	Yes	73
109R0605H4011	109R0605H4021	109R0605H4011	—	—	60 × 60 × 25 mm	No	73
109R0605M401	▶▶ 109R0605M402	▶▶ 109R0605M401	▶▶ 109R0605M4D01	—	60 × 60 × 25 mm	Yes	73
109R0605M4011	109R0605M4021	109R0605M4011	—	—	60 × 60 × 25 mm	No	73
109R0612D401	▶▶ 109R0612D402	▶▶ 109R0612D401	▶▶ 109R0612D4D01	—	60 × 60 × 25 mm	Yes	73
109R0612D4011	109R0612D4021	109R0612D4011	109R0612D4D011	—	60 × 60 × 25 mm	No	73
109R0612F401	109R0612F402	▶▶ 109R0612F401	▶▶ 109R0612F4D01	—	60 × 60 × 25 mm	Yes	73
109R0612F4011	109R0612F4021	109R0612F4011	109R0612F4D011	—	60 × 60 × 25 mm	No	73
109R0612G401	▶▶ 109R0612G402	▶▶ 109R0612G401	▶▶ 109R0612G4D01	—	60 × 60 × 25 mm	Yes	73
109R0612G4011	109R0612G4021	▶▶ 109R0612G4011	109R0612G4D011	—	60 × 60 × 25 mm	No	73
109R0612H401	▶▶ 109R0612H402	▶▶ 109R0612H401	▶▶ 109R0612H4D01	—	60 × 60 × 25 mm	Yes	73
109R0612H4011	109R0612H4021	▶▶ 109R0612H4011	▶▶ 109R0612H4D011	—	60 × 60 × 25 mm	No	73
109R0612J401	▶▶ 109R0612J402	▶▶ 109R0612J401	▶▶ 109R0612J4D01	109R0612P4J03	60 × 60 × 25 mm	Yes	73
109R0612J4011	▶▶ 109R0612J4021	109R0612J4011	109R0612J4D011	109R0612P4J061	60 × 60 × 25 mm	No	73
109R0612M401	▶▶ 109R0612M402	▶▶ 109R0612M401	▶▶ 109R0612M4D01	—	60 × 60 × 25 mm	Yes	73
109R0612M4011	109R0612M4021	109R0612M4011	109R0612M4D011	—	60 × 60 × 25 mm	No	73
109R0612S401	▶▶ 109R0612S402	▶▶ 109R0612S401	▶▶ 109R0612S4D01	—	60 × 60 × 25 mm	Yes	73
109R0612S4011	109R0612S4021	109R0612S4011	▶▶ 109R0612S4D011	—	60 × 60 × 25 mm	No	73
109R0624D401	▶▶ 109R0624D402	▶▶ 109R0624D401	▶▶ 109R0624D4D01	—	60 × 60 × 25 mm	Yes	73
109R0624D4011	109R0624D4021	109R0624D4011	—	—	60 × 60 × 25 mm	No	73
109R0624F401	▶▶ 109R0624F402	▶▶ 109R0624F401	▶▶ 109R0624F4D01	—	60 × 60 × 25 mm	Yes	73

For compliance with standards, see individual product pages. Please contact your point of sale regarding low-speed sensors.  
The ▶▶ mark indicates Short Lead Time Service applicable models. See p. 626 for details.

Models listed in product pages	List of models (Below are optional models and not listed in product pages. Standard compliance of these optional models may differ from that of the models listed in product pages. Contact us for details of "-" models.)				Frame size	Rib	page
	Without sensor	With pulse sensor	With lock sensor	With PWM control function and pulse sensor			
	109R0624F4011	109R0624F4021	109R0624F4011	109R0624F4D011			
109R0624G401	☛ 109R0624G402	☛ 109R0624G401	☛ 109R0624G4D01	—	60 × 60 × 25 mm	Yes	73
109R0624G4011	☛ 109R0624G4021	109R0624G4011	109R0624G4D011	—	60 × 60 × 25 mm	No	73
109R0624H401	☛ 109R0624H402	☛ 109R0624H401	☛ 109R0624H4D01	—	60 × 60 × 25 mm	Yes	73
109R0624H4011	☛ 109R0624H4021	109R0624H4011	☛ 109R0624H4D011	—	60 × 60 × 25 mm	No	73
109R0624J401	☛ 109R0624J402	☛ 109R0624J401	☛ 109R0624J4D01	9RH0624P4J01	60 × 60 × 25 mm	Yes	73
109R0624J4011	109R0624J4021	109R0624J4011	109R0624J4D011	—	60 × 60 × 25 mm	No	73
109R0624M401	☛ 109R0624M402	☛ 109R0624M401	109R0624M4D01	—	60 × 60 × 25 mm	Yes	73
109R0624M4011	109R0624M4021	109R0624M4011	109R0624M4D011	—	60 × 60 × 25 mm	No	73
109R0624S401	☛ 109R0624S402	☛ 109R0624S401	☛ 109R0624S4D01	—	60 × 60 × 25 mm	Yes	73
109R0624S4011	☛ 109R0624S4021	109R0624S4011	109R0624S4D011	—	60 × 60 × 25 mm	No	73
109R0648G401	☛ 109R0648G402	☛ 109R0648G401	☛ 109R0648G4D01	—	60 × 60 × 25 mm	Yes	73
109R0648G4011	109R0648G4021	109R0648G4011	109R0648G4D011	—	60 × 60 × 25 mm	No	73
109R0648H401	☛ 109R0648H402	☛ 109R0648H401	☛ 109R0648H4D01	—	60 × 60 × 25 mm	Yes	73
109R0648H4011	109R0648H4021	109R0648H4011	109R0648H4D011	—	60 × 60 × 25 mm	No	73
109R0648J401	☛ 109R0648J402	☛ 109R0648J401	☛ 109R0648J4D01	—	60 × 60 × 25 mm	Yes	73
109R0648J4011	109R0648J4021	109R0648J4011	—	—	60 × 60 × 25 mm	No	73
109R0805F401	☛ 109R0805F402	☛ 109R0805F401	☛ 109R0805F4D01	—	80 × 80 × 25 mm	Yes	108
109R0805F4011	☛ 109R0805F4021	109R0805F4011	—	—	80 × 80 × 25 mm	No	108
109R0805M401	☛ 109R0805M402	☛ 109R0805M401	☛ 109R0805M4D01	—	80 × 80 × 25 mm	Yes	108
109R0805M4011	☛ 109R0805M4021	109R0805M4011	—	—	80 × 80 × 25 mm	No	108
109R0812E401	109R0812E402	☛ 109R0812E401	—	—	80 × 80 × 25 mm	Yes	108
109R0812E4011	—	109R0812E4011	—	—	80 × 80 × 25 mm	No	108
109R0812F401	☛ 109R0812F402	☛ 109R0812F401	☛ 109R0812F4D01	—	80 × 80 × 25 mm	Yes	108
109R0812F4011	☛ 109R0812F4021	☛ 109R0812F4011	109R0812F4D011	—	80 × 80 × 25 mm	No	108
109R0812G401	☛ 109R0812G402	☛ 109R0812G401	☛ 109R0812G4D01	—	80 × 80 × 25 mm	Yes	108
109R0812G4011	☛ 109R0812G4021	☛ 109R0812G4011	☛ 109R0812G4D011	—	80 × 80 × 25 mm	No	108
109R0812H401	☛ 109R0812H402	☛ 109R0812H401	☛ 109R0812H4D01	—	80 × 80 × 25 mm	Yes	108
109R0812H4011	☛ 109R0812H4021	☛ 109R0812H4011	☛ 109R0812H4D011	—	80 × 80 × 25 mm	No	108
109R0812L401	☛ 109R0812L402	☛ 109R0812L401	☛ 109R0812L4D01	—	80 × 80 × 25 mm	Yes	108
109R0812L4011	☛ 109R0812L4021	☛ 109R0812L4011	109R0812L4D011	—	80 × 80 × 25 mm	No	108
109R0812M401	☛ 109R0812M402	☛ 109R0812M401	☛ 109R0812M4D01	—	80 × 80 × 25 mm	Yes	108
109R0812M4011	☛ 109R0812M4021	☛ 109R0812M4011	109R0812M4D011	—	80 × 80 × 25 mm	No	108
109R0812S401	☛ 109R0812S402	☛ 109R0812S401	☛ 109R0812S4D01	—	80 × 80 × 25 mm	Yes	108
109R0812S4011	☛ 109R0812S4021	☛ 109R0812S4011	☛ 109R0812S4D011	—	80 × 80 × 25 mm	No	108
109R0824F401	☛ 109R0824F402	☛ 109R0824F401	☛ 109R0824F4D01	—	80 × 80 × 25 mm	Yes	108
109R0824F4011	109R0824F4021	109R0824F4011	109R0824F4D011	—	80 × 80 × 25 mm	No	108
109R0824G401	☛ 109R0824G402	☛ 109R0824G401	☛ 109R0824G4D01	—	80 × 80 × 25 mm	Yes	108
109R0824G4011	☛ 109R0824G4021	109R0824G4011	☛ 109R0824G4D011	—	80 × 80 × 25 mm	No	108
109R0824H401	☛ 109R0824H402	☛ 109R0824H401	☛ 109R0824H4D01	—	80 × 80 × 25 mm	Yes	108
109R0824H4011	☛ 109R0824H4021	☛ 109R0824H4011	☛ 109R0824H4D011	—	80 × 80 × 25 mm	No	108
109R0824L401	☛ 109R0824L402	☛ 109R0824L401	☛ 109R0824L4D01	—	80 × 80 × 25 mm	Yes	108
109R0824L4011	☛ 109R0824L4021	☛ 109R0824L4011	109R0824L4D011	—	80 × 80 × 25 mm	No	108
109R0824M401	☛ 109R0824M402	☛ 109R0824M401	☛ 109R0824M4D01	—	80 × 80 × 25 mm	Yes	108
109R0824M4011	☛ 109R0824M4021	☛ 109R0824M4011	109R0824M4D011	—	80 × 80 × 25 mm	No	108
109R0824S401	☛ 109R0824S402	☛ 109R0824S401	☛ 109R0824S4D01	—	80 × 80 × 25 mm	Yes	108
109R0824S4011	☛ 109R0824S4021	☛ 109R0824S4011	☛ 109R0824S4D011	—	80 × 80 × 25 mm	No	108
109R0848K401	☛ 109R0848K402	☛ 109R0848K401	☛ 109R0848K4D01	—	80 × 80 × 25 mm	Yes	108
109R0848K4011	109R0848K4021	109R0848K4011	109R0848K4D011	—	80 × 80 × 25 mm	No	108
109R0848S401	☛ 109R0848S402	☛ 109R0848S401	☛ 109R0848S4D01	—	80 × 80 × 25 mm	Yes	108
109R0848S4011	109R0848S4021	109R0848S4011	109R0848S4D011	—	80 × 80 × 25 mm	No	108
9A0612F401	9A0612F402	9A0612F401	9A0612F4D01	—	60 × 60 × 25 mm	Yes	79
9A0612F4011	9A0612F4021	9A0612F4011	9A0612F4D011	—	60 × 60 × 25 mm	No	79
9A0612G401	☛ 9A0612G402	☛ 9A0612G401	9A0612G4D01	9AH0612P4G03	60 × 60 × 25 mm	Yes	79
9A0612G4011	9A0612G4021	9A0612G4011	9A0612G4D011	—	60 × 60 × 25 mm	No	79
9A0612H401	☛ 9A0612H402	☛ 9A0612H401	9A0612H4D01	9AH0612P4H05	60 × 60 × 25 mm	Yes	79
9A0612H4011	9A0612H4021	9A0612H4011	9A0612H4D011	—	60 × 60 × 25 mm	No	79
9A0612M401	9A0612M402	9A0612M401	9A0612M4D01	—	60 × 60 × 25 mm	Yes	79
9A0612M4011	9A0612M4021	9A0612M4011	9A0612M4D011	—	60 × 60 × 25 mm	No	79
9A0612S401	☛ 9A0612S402	☛ 9A0612S401	9A0612S4D01	—	60 × 60 × 25 mm	Yes	79
9A0612S4011	9A0612S4021	9A0612S4011	9A0612S4D011	9AH0612P4S011	60 × 60 × 25 mm	No	79

For compliance with standards, see individual product pages. Please contact your point of sale regarding low-speed sensors. The ☛ mark indicates Short Lead Time Service applicable models. See p. 626 for details.

Models listed in product pages	List of models (Below are optional models and not listed in product pages. Standard compliance of these optional models may differ from that of the models listed in product pages. Contact us for details of "—" models.)				Frame size	Rib	page
	Without sensor	With pulse sensor	With lock sensor	With PWM control function and pulse sensor			
	9A0624F401	9A0624F402	9A0624F401	9A0624F4D01			
9A0624F4011	9A0624F4021	9A0624F4011	9A0624F4D011	—	60 × 60 × 25 mm	No	79
9A0624G401	9A0624G402	9A0624G401	9A0624G4D01	—	60 × 60 × 25 mm	Yes	79
9A0624G4011	9A0624G4021	9A0624G4011	—	—	60 × 60 × 25 mm	No	79
9A0624H401	9A0624H402	9A0624H401	9A0624H4D01	—	60 × 60 × 25 mm	Yes	79
9A0624H4011	9A0624H4021	9A0624H4011	9A0624H4D011	—	60 × 60 × 25 mm	No	79
9A0624M401	9A0624M402	9A0624M401	9A0624M4D01	—	60 × 60 × 25 mm	Yes	79
9A0624M4011	9A0624M4021	9A0624M4011	9A0624M4D011	—	60 × 60 × 25 mm	No	79
9A0624S401	9A0624S402	9A0624S401	9A0624S4D01	—	60 × 60 × 25 mm	Yes	79
9A0624S4011	9A0624S4021	9A0624S4011	9A0624S4D011	—	60 × 60 × 25 mm	No	79
9A0812F401	9A0812F402	9A0812F401	9A0812F4D01	—	80 × 80 × 25 mm	Yes	114
9A0812F4011	9A0812F4021	9A0812F4011	9A0812F4D011	—	80 × 80 × 25 mm	No	114
9A0812G401	9A0812G402	9A0812G401	9A0812G4D01	9AH0812P4G04	80 × 80 × 25 mm	Yes	114
9A0812G4011	9A0812G4021	9A0812G4011	9A0812G4D011	9AH0812P4G011	80 × 80 × 25 mm	No	114
9A0812H401	9A0812H402	9A0812H401	9A0812H4D01	9AH0812P4H04	80 × 80 × 25 mm	Yes	114
9A0812H4011	9A0812H4021	9A0812H4011	9A0812H4D011	—	80 × 80 × 25 mm	No	114
9A0812L401	9A0812L402	9A0812L401	9A0812L4D01	—	80 × 80 × 25 mm	Yes	114
9A0812L4011	9A0812L4021	9A0812L4011	9A0812L4D011	—	80 × 80 × 25 mm	No	114
9A0812M401	9A0812M402	9A0812M401	9A0812M4D01	—	80 × 80 × 25 mm	Yes	114
9A0812M4011	9A0812M4021	9A0812M4011	9A0812M4D011	—	80 × 80 × 25 mm	No	114
9A0812S401	9A0812S402	9A0812S401	9A0812S4D01	—	80 × 80 × 25 mm	Yes	114
9A0812S4011	9A0812S4021	9A0812S4011	9A0812S4D011	—	80 × 80 × 25 mm	No	114
9A0824F401	9A0824F402	9A0824F401	9A0824F4D01	—	80 × 80 × 25 mm	Yes	114
9A0824F4011	9A0824F4021	9A0824F4011	9A0824F4D011	—	80 × 80 × 25 mm	No	114
9A0824G401	9A0824G402	9A0824G401	9A0824G4D01	—	80 × 80 × 25 mm	Yes	114
9A0824G4011	9A0824G4021	9A0824G4011	9A0824G4D011	—	80 × 80 × 25 mm	No	114
9A0824H401	9A0824H402	9A0824H401	9A0824H4D01	—	80 × 80 × 25 mm	Yes	114
9A0824H4011	9A0824H4021	9A0824H4011	9A0824H4D011	—	80 × 80 × 25 mm	No	114
9A0824L401	9A0824L402	9A0824L401	9A0824L4D01	—	80 × 80 × 25 mm	Yes	114
9A0824L4011	9A0824L4021	9A0824L4011	9A0824L4D011	—	80 × 80 × 25 mm	No	114
9A0824M401	9A0824M402	9A0824M401	9A0824M4D01	—	80 × 80 × 25 mm	Yes	114
9A0824M4011	9A0824M4021	9A0824M4011	9A0824M4D011	—	80 × 80 × 25 mm	No	114
9A0824S401	9A0824S402	9A0824S401	9A0824S4D01	—	80 × 80 × 25 mm	Yes	114
9A0824S4011	9A0824S4021	9A0824S4011	9A0824S4D011	—	80 × 80 × 25 mm	No	114
9A0912F401	9A0912F402	9A0912F401	9A0912F4D01	—	92 × 92 × 25 mm	Yes	143
9A0912F4011	9A0912F4021	9A0912F4011	9A0912F4D011	—	92 × 92 × 25 mm	No	143
9A0912G401	9A0912G402	9A0912G401	9A0912G4D01	9AH0912P4G03	92 × 92 × 25 mm	Yes	143
9A0912G4011	9A0912G4021	9A0912G4011	9A0912G4D011	—	92 × 92 × 25 mm	No	143
9A0912H401	9A0912H402	9A0912H401	9A0912H4D01	9AH0912P4H03	92 × 92 × 25 mm	Yes	143
9A0912H4011	9A0912H4021	9A0912H4011	9A0912H4D011	—	92 × 92 × 25 mm	No	143
9A0912L401	9A0912L402	9A0912L401	9A0912L4D01	—	92 × 92 × 25 mm	Yes	143
9A0912L4011	9A0912L4021	9A0912L4011	9A0912L4D011	—	92 × 92 × 25 mm	No	143
9A0912M401	9A0912M402	9A0912M401	9A0912M4D01	—	92 × 92 × 25 mm	Yes	143
9A0912M4011	9A0912M4021	9A0912M4011	9A0912M4D011	—	92 × 92 × 25 mm	No	143
9A0912S401	9A0912S402	9A0912S401	9A0912S4D01	—	92 × 92 × 25 mm	Yes	143
9A0912S4011	9A0912S4021	9A0912S4011	9A0912S4D011	—	92 × 92 × 25 mm	No	143
9A0924F401	9A0924F402	9A0924F401	9A0924F4D01	—	92 × 92 × 25 mm	Yes	143
9A0924F4011	9A0924F4021	9A0924F4011	9A0924F4D011	—	92 × 92 × 25 mm	No	143
9A0924G401	9A0924G402	9A0924G401	9A0924G4D01	—	92 × 92 × 25 mm	Yes	143
9A0924G4011	9A0924G4021	9A0924G4011	—	—	92 × 92 × 25 mm	No	143
9A0924H401	9A0924H402	9A0924H401	9A0924H4D01	—	92 × 92 × 25 mm	Yes	143
9A0924H4011	9A0924H4021	9A0924H4011	9A0924H4D011	—	92 × 92 × 25 mm	No	143
9A0924L401	9A0924L402	9A0924L401	9A0924L4D01	—	92 × 92 × 25 mm	Yes	143
9A0924L4011	9A0924L4021	9A0924L4011	9A0924L4D011	—	92 × 92 × 25 mm	No	143
9A0924M401	9A0924M402	9A0924M401	9A0924M4D01	—	92 × 92 × 25 mm	Yes	143
9A0924M4011	9A0924M4021	9A0924M4011	9A0924M4D011	—	92 × 92 × 25 mm	No	143
9A0924S401	9A0924S402	9A0924S401	9A0924S4D01	—	92 × 92 × 25 mm	Yes	143
9A0924S4011	9A0924S4021	9A0924S4011	9A0924S4D011	—	92 × 92 × 25 mm	No	143
9A0948S401	9A0948S402	9A0948S401	9A0948S4D01	—	92 × 92 × 25 mm	Yes	143
9A0948S4011	9A0948S4021	9A0948S4011	—	—	92 × 92 × 25 mm	No	143
9B1TP24P0H001	—	—	—	9B1TP24P0H001	9270 × 99 mm	—	463

For compliance with standards, see individual product pages. Please contact your point of sale regarding low-speed sensors.  
The ⚡ mark indicates Short Lead Time Service applicable models. See p. 626 for details.

Models listed in product pages	List of models (Below are optional models and not listed in product pages. Standard compliance of these optional models may differ from that of the models listed in product pages. Contact us for details of "–" models.)				Frame size	Rib	page
	Without sensor	With pulse sensor	With lock sensor	With PWM control function and pulse sensor			
	9B1TP48P0G001	–	–	–			
9B1TP48P0H001	–	–	–	9B1TP48P0H001	∅270 × 99 mm	–	463
9B1TS48P0G001	–	–	–	9B1TS48P0G001	∅270 × 119 mm	–	466
9B1TS48P0H001	–	–	–	9B1TS48P0H001	∅270 × 119 mm	–	466
9BD12FC6-1	9BD12FA6-1	9BD12FC6-1	9BD12FD6-1	–	76 × 20 mm	–	472
9BD12HC6-1	9BD12HA6-1	9BD12HC6-1	9BD12HD6-1	–	76 × 20 mm	–	472
9BD12SC6-1	9BD12SA6-1	9BD12SC6-1	9BD12SD6-1	9BD12P6S01	76 × 20 mm	–	472
9BD24FC6-1	9BD24FA6-1	9BD24FC6-1	9BD24FD6-1	–	76 × 20 mm	–	472
9BD24HC6-1	9BD24HA6-1	9BD24HC6-1	9BD24HD6-1	–	76 × 20 mm	–	472
9BD24SC6-1	9BD24SA6-1	9BD24SC6-1	9BD24SD6-1	9BD24P6S06	76 × 20 mm	–	472
9BFB12P2H003	–	–	–	9BFB12P2H003	120 × 32 mm	–	486
9BFB24P2H003	–	–	–	9BFB24P2H003	120 × 32 mm	–	486
9BMB12F201	9BMB12F202	9BMB12F201	9BMB12F2D01	9BMB12P2F01	97 × 33 mm	–	478
9BMB12G201	9BMB12G202	9BMB12G201	9BMB12G2D01	9BMB12P2G01	97 × 33 mm	–	478
9BMB12H201	9BMB12H202	9BMB12H201	9BMB12H2D01	9BMB12P2H01	97 × 33 mm	–	478
9BMB12K201	9BMB12K202	9BMB12K201	–	9BMB12P2K01	97 × 33 mm	–	478
9BMB12P2F01	9BMB12F202	9BMB12F201	9BMB12F2D01	9BMB12P2F01	97 × 33 mm	–	478
9BMB12P2G01	9BMB12G202	9BMB12G201	9BMB12G2D01	9BMB12P2G01	97 × 33 mm	–	478
9BMB12P2H01	9BMB12H202	9BMB12H201	9BMB12H2D01	9BMB12P2H01	97 × 33 mm	–	478
9BMB12P2K01	9BMB12K202	9BMB12K201	–	9BMB12P2K01	97 × 33 mm	–	478
9BMB12P2S01	9BMB12S202	9BMB12S201	–	9BMB12P2S01	97 × 33 mm	–	478
9BMB12S201	9BMB12S202	9BMB12S201	–	9BMB12P2S01	97 × 33 mm	–	478
9BMB24F201	9BMB24F202	9BMB24F201	9BMB24F2D01	9BMB24P2F01	97 × 33 mm	–	478
9BMB24G201	9BMB24G202	9BMB24G201	9BMB24G2D01	9BMB24P2G01	97 × 33 mm	–	478
9BMB24H201	9BMB24H202	9BMB24H201	9BMB24H2D01	9BMB24P2H01	97 × 33 mm	–	478
9BMB24K201	9BMB24K202	9BMB24K201	9BMB24K2D01	9BMB24P2K01	97 × 33 mm	–	478
9BMB24P2F01	9BMB24F202	9BMB24F201	9BMB24F2D01	9BMB24P2F01	97 × 33 mm	–	478
9BMB24P2G01	9BMB24G202	9BMB24G201	9BMB24G2D01	9BMB24P2G01	97 × 33 mm	–	478
9BMB24P2H01	9BMB24H202	9BMB24H201	9BMB24H2D01	9BMB24P2H01	97 × 33 mm	–	478
9BMB24P2K01	9BMB24K202	9BMB24K201	–	9BMB24P2K01	97 × 33 mm	–	478
9BMB24P2S01	9BMB24S202	9BMB24S201	–	9BMB24P2S01	97 × 33 mm	–	478
9BMB24S201	9BMB24S202	9BMB24S201	–	9BMB24P2S01	97 × 33 mm	–	478
9BMC12P2G001	9BMC12G2002	–	–	9BMC12P2G001	97 × 33 mm	–	476
9BMC24P2G001	–	–	–	9BMC24P2G001	97 × 33 mm	–	476
9CR0612P5G03	9CR0612G502	9CR0612G501	–	9CR0612P5G03	60 × 60 × 51 mm	–	234
9CR0612P5H03	–	9CR0612H501	–	9CR0612P5H03	60 × 60 × 51 mm	–	234
9CR1212P0G03	9CR1212G002	9CR1212G001	–	9CR1212P0G03	120 × 120 × 76 mm	–	252
9CR5748P9G001	–	–	–	9CR5748P9G001	∅172 × 150 × 102 mm	–	254
9CRA0312P4J03	–	9CRA0312J401	–	9CRA0312P4J03	38 × 38 × 48 mm	–	220
9CRA0312P4K03	9CRA0312K402	–	–	9CRA0312P4K03	38 × 38 × 48 mm	–	220
9CRA0412P4G03	9CRA0412G402	–	–	9CRA0412P4G03	40 × 40 × 48 mm	–	222
9CRA0412P4J03	9CRA0412J402	9CRA0412J401	–	9CRA0412P4J03	40 × 40 × 48 mm	–	222
9CRA0412P4K03	9CRA0412K402	9CRA0412K401	–	9CRA0412P4K03	40 × 40 × 48 mm	–	222
9CRA0612P0G001	–	–	–	9CRA0612P0G001	60 × 60 × 76 mm	–	241
9CRA0612P0S001	–	–	–	9CRA0612P0S001	60 × 60 × 76 mm	–	241
9CRA0612P6G001	–	–	–	9CRA0612P6G001	60 × 60 × 56 mm	–	236
9CRA0612P6J001	–	–	–	9CRA0612P6J001	60 × 60 × 56 mm	–	236
9CRA0612P6K001	–	–	–	9CRA0612P6K001	60 × 60 × 56 mm	–	236
9CRA0812P8G001	–	9CRA0812G8001	–	9CRA0812P8G001	80 × 80 × 80 mm	–	247
9CRA0824P8G001	–	–	–	9CRA0824P8G001	80 × 80 × 80 mm	–	247
9CRA0848P8G001	–	–	–	9CRA0848P8G001	80 × 80 × 80 mm	–	247
9CRA0912P0G001	–	–	–	9CRA0912P0G001	92 × 92 × 76 mm	–	250
9CRA0948P0G601	–	–	–	9CRA0948P0G601	92 × 92 × 76 mm	–	250
9CRB0812P8G001	–	–	–	9CRB0812P8G001	80 × 80 × 80 mm	–	243
9CRD0412P5G03	–	–	–	9CRD0412P5G03	40 × 40 × 56 mm	–	229
9CRD0412P5H03	–	–	–	9CRD0412P5H03	40 × 40 × 56 mm	–	229
9CRD0412P5J03	–	–	–	9CRD0412P5J03	40 × 40 × 56 mm	–	229
9CRD0412P5M03	–	–	–	9CRD0412P5M03	40 × 40 × 56 mm	–	229
9CRE0412P5J03	9CRE0412J502	–	–	9CRE0412P5J03	40 × 40 × 56 mm	–	232
9CRE0612P0G001	–	–	–	9CRE0612P0G001	60 × 60 × 76 mm	–	239
9CRE0812P8G001	–	–	–	9CRE0812P8G001	80 × 80 × 80 mm	–	245

For compliance with standards, see individual product pages. Please contact your point of sale regarding low-speed sensors. The ⚡ mark indicates Short Lead Time Service applicable models. See p. 626 for details.

Models listed in product pages	List of models (Below are optional models and not listed in product pages. Standard compliance of these optional models may differ from that of the models listed in product pages. Contact us for details of "—" models.)				Frame size	Rib	page
	Without sensor	With pulse sensor	With lock sensor	With PWM control function and pulse sensor			
	9CRH0412P5J001	—	—	—			
9CRL0612P0G001	—	—	—	➤ 9CRL0612P0G001	60 × 60 × 76 mm	No	383
9CRL0812P8G001	—	—	—	➤ 9CRL0812P8G001	80 × 80 × 80 mm	No	390
9CRLA0612P0G001	—	—	—	➤ 9CRLA0612P0G001	60 × 60 × 76 mm	No	381
9CRV0412P5J201	—	—	—	➤ 9CRV0412P5J201	40 × 40 × 56 mm	—	227
9EC2024H001	9EC2024H002	9EC2024H001	9EC2024H0D01	—	∅200 × 70 mm	No	216
9EC2048A001	9EC2048A002	9EC2048A001	9EC2048A0D01	9EC2048P0A01	∅200 × 70 mm	No	216
9EC2048H001	9EC2048H002	9EC2048H001	—	—	∅200 × 70 mm	No	216
9EC2048J001	9EC2048J002	9EC2048J001	—	9EC2048P0J01	∅200 × 70 mm	No	216
9G0612P4H001	9G0612H4002	—	9G0612H4D001	➤ 9G0612P4H001	60 × 60 × 25 mm	Yes	70
9G0612P4H0011	9G0612H40021	9G0612H40011	9G0612H4D0011	➤ 9G0612P4H0011	60 × 60 × 25 mm	No	70
9G0612P4S001	9G0612S4002	9G0612S4001	—	➤ 9G0612P4S001	60 × 60 × 25 mm	Yes	70
9G0612P4S0011	9G0612S40021	—	—	➤ 9G0612P4S0011	60 × 60 × 25 mm	No	70
9G0624P4F001	9G0624F4002	—	—	9G0624P4F001	60 × 60 × 25 mm	Yes	70
9G0624P4F0011	—	—	—	9G0624P4F0011	60 × 60 × 25 mm	No	70
9G0624P4H001	➤ 9G0624H4002	9G0624H4001	9G0624H4D001	➤ 9G0624P4H001	60 × 60 × 25 mm	Yes	70
9G0624P4H0011	9G0624H40021	—	—	➤ 9G0624P4H0011	60 × 60 × 25 mm	No	70
9G0624P4S001	➤ 9G0624S4002	—	9G0624S4D001	➤ 9G0624P4S001	60 × 60 × 25 mm	Yes	70
9G0624P4S0011	9G0624S40021	—	—	➤ 9G0624P4S0011	60 × 60 × 25 mm	No	70
9G0648P4S001	—	—	—	➤ 9G0648P4S001	60 × 60 × 25 mm	Yes	70
9G0648P4S0011	—	—	—	9G0648P4S0011	60 × 60 × 25 mm	No	70
9G0812G101	9G0812G102	9G0812G101	9G0812G1D01	9G0812P1G04	80 × 80 × 38 mm	Yes	133
9G0812G1011	9G0812G1021	9G0812G1011	9G0812G1D011	9G0812P1G081	80 × 80 × 38 mm	No	133
9G0812H101	9G0812H102	9G0812H101	9G0812H1D01	9G0812P1H03	80 × 80 × 38 mm	Yes	133
9G0812H1011	9G0812H1021	9G0812H1011	9G0812H1D011	9G0812P1H051	80 × 80 × 38 mm	No	133
9G0812K101	9G0812K102	9G0812K101	9G0812K1D01	9G0812P1K08	80 × 80 × 38 mm	Yes	133
9G0812K1011	9G0812K1021	9G0812K1011	—	9G0812P1K081	80 × 80 × 38 mm	No	133
9G0824G101	9G0824G102	9G0824G101	9G0824G1D01	9G0824P1G04	80 × 80 × 38 mm	Yes	133
9G0824G1011	9G0824G1021	9G0824G1011	9G0824G1D011	—	80 × 80 × 38 mm	No	133
9G0824H101	9G0824H102	9G0824H101	9G0824H1D01	—	80 × 80 × 38 mm	Yes	133
9G0824H1011	9G0824H1021	9G0824H1011	9G0824H1D011	—	80 × 80 × 38 mm	No	133
9G0848G101	9G0848G102	9G0848G101	9G0848G1D01	9G0848P1G03	80 × 80 × 38 mm	Yes	133
9G0848G1011	9G0848G1021	9G0848G1011	9G0848G1D011	—	80 × 80 × 38 mm	No	133
9G0848H101	9G0848H102	9G0848H101	9G0848H1D01	9G0848P1H04	80 × 80 × 38 mm	Yes	133
9G0848H1011	9G0848H1021	9G0848H1011	—	—	80 × 80 × 38 mm	No	133
9G0912A201	➤ 9G0912A202	➤ 9G0912A201	9G0912A2D01	9G0912P2A01	92 × 92 × 32 mm	Yes	146
9G0912A2011	9G0912A2021	9G0912A2011	9G0912A2D011	—	92 × 92 × 32 mm	No	146
9G0912G101	9G0912G102	9G0912G101	9G0912G1D01	9G0912P1G03	92 × 92 × 38 mm	Yes	158
9G0912G1011	9G0912G1021	9G0912G1011	—	9G0912P1G031	92 × 92 × 38 mm	No	158
9G0912H101	9G0912H102	9G0912H101	9G0912H1D01	9G0912P1H05	92 × 92 × 38 mm	Yes	158
9G0912H1011	9G0912H1021	9G0912H1011	9G0912H1D011	—	92 × 92 × 38 mm	No	158
9G0912H201	➤ 9G0912H202	➤ 9G0912H201	➤ 9G0912H2D01	9G0912P2H01	92 × 92 × 32 mm	Yes	146
9G0912H2011	9G0912H2021	9G0912H2011	➤ 9G0912H2D011	—	92 × 92 × 32 mm	No	146
9G0912M201	9G0912M202	➤ 9G0912M201	9G0912M2D01	—	92 × 92 × 32 mm	Yes	146
9G0912M2011	9G0912M2021	9G0912M2011	9G0912M2D011	—	92 × 92 × 32 mm	No	146
9G0912S201	➤ 9G0912S202	➤ 9G0912S201	9G0912S2D01	9G0912P2S01	92 × 92 × 32 mm	Yes	146
9G0912S2011	➤ 9G0912S2021	9G0912S2011	9G0912S2D011	—	92 × 92 × 32 mm	No	146
9G0924A201	➤ 9G0924A202	➤ 9G0924A201	➤ 9G0924A2D01	—	92 × 92 × 32 mm	Yes	146
9G0924A2011	9G0924A2021	9G0924A2011	9G0924A2D011	—	92 × 92 × 32 mm	No	146
9G0924G101	9G0924G102	9G0924G101	9G0924G1D01	—	92 × 92 × 38 mm	Yes	158
9G0924G1011	9G0924G1021	9G0924G1011	9G0924G1D011	—	92 × 92 × 38 mm	No	158
9G0924H101	9G0924H102	9G0924H101	9G0924H1D01	—	92 × 92 × 38 mm	Yes	158
9G0924H1011	9G0924H1021	9G0924H1011	9G0924H1D011	—	92 × 92 × 38 mm	No	158
9G0924H201	➤ 9G0924H202	➤ 9G0924H201	➤ 9G0924H2D01	—	92 × 92 × 32 mm	Yes	146
9G0924H2011	9G0924H2021	9G0924H2011	9G0924H2D011	—	92 × 92 × 32 mm	No	146
9G0924M201	➤ 9G0924M202	➤ 9G0924M201	9G0924M2D01	—	92 × 92 × 32 mm	Yes	146
9G0924M2011	9G0924M2021	9G0924M2011	9G0924M2D011	—	92 × 92 × 32 mm	No	146
9G0924S201	➤ 9G0924S202	➤ 9G0924S201	➤ 9G0924S2D01	—	92 × 92 × 32 mm	Yes	146
9G0924S2011	9G0924S2021	9G0924S2011	9G0924S2D011	—	92 × 92 × 32 mm	No	146
9G0948A201	➤ 9G0948A202	➤ 9G0948A201	9G0948A2D01	—	92 × 92 × 32 mm	Yes	146
9G0948A2011	9G0948A2021	9G0948A2011	9G0948A2D011	—	92 × 92 × 32 mm	No	146

For compliance with standards, see individual product pages. Please contact your point of sale regarding low-speed sensors. The ➤ mark indicates Short Lead Time Service applicable models. See p. 626 for details.




Models listed in product pages	List of models (Below are optional models and not listed in product pages. Standard compliance of these optional models may differ from that of the models listed in product pages. Contact us for details of "-" models.)				Frame size	Rib	page
	Without sensor	With pulse sensor	With lock sensor	With PWM control function and pulse sensor			
	9G0948G101	9G0948G102	9G0948G101	9G0948G1D01			
9G0948G1011	9G0948G1021	9G0948G1011	—	—	92 × 92 × 38 mm	No	158
9G0948H101	9G0948H102	9G0948H101	9G0948H1D01	—	92 × 92 × 38 mm	Yes	158
9G0948H1011	—	9G0948H1011	—	—	92 × 92 × 38 mm	No	158
9G0948H201	9G0948H202	9G0948H201	9G0948H2D01	—	92 × 92 × 32 mm	Yes	146
9G0948H2011	9G0948H2021	9G0948H2011	9G0948H2D011	—	92 × 92 × 32 mm	No	146
9G0948J101	—	9G0948J101	—	—	92 × 92 × 38 mm	Yes	158
9G0948J1011	—	9G0948J1011	—	9G0948P1J031	92 × 92 × 38 mm	No	158
9G0948M201	9G0948M202	9G0948M201	9G0948M2D01	—	92 × 92 × 32 mm	Yes	146
9G0948M2011	9G0948M2021	9G0948M2011	9G0948M2D011	—	92 × 92 × 32 mm	No	146
9G0948S201	9G0948S202	9G0948S201	9G0948S2D01	—	92 × 92 × 32 mm	Yes	146
9G0948S2011	9G0948S2021	9G0948S2011	9G0948S2D011	—	92 × 92 × 32 mm	No	146
9G1212A401	9G1212A402	9G1212A401	9G1212A4D01	—	120 × 120 × 25 mm	Yes	168
9G1212A4011	9G1212A4021	9G1212A4011	9G1212A4D011	—	120 × 120 × 25 mm	No	168
9G1212B401	—	9G1212B401	—	—	120 × 120 × 25 mm	Yes	168
9G1212B4011	—	9G1212B4011	—	—	120 × 120 × 25 mm	No	168
9G1212E101	9G1212E102	9G1212E101	9G1212E1D01	—	120 × 120 × 38 mm	Yes	182
9G1212E1011	9G1212E1021	9G1212E1011	9G1212E1D011	—	120 × 120 × 38 mm	No	182
9G1212E401	9G1212E402	9G1212E401	9G1212E4D01	9G1212P4E05	120 × 120 × 25 mm	Yes	168
9G1212E4011	9G1212E4021	9G1212E4011	9G1212E4D011	9G1212P4E041	120 × 120 × 25 mm	No	168
9G1212F101	9G1212F102	9G1212F101	9G1212F1D01	—	120 × 120 × 38 mm	Yes	182
9G1212F1011	9G1212F1021	9G1212F1011	—	—	120 × 120 × 38 mm	No	182
9G1212F401	9G1212F402	9G1212F401	9G1212F4D01	—	120 × 120 × 25 mm	Yes	168
9G1212F4011	9G1212F4021	9G1212F4011	9G1212F4D011	—	120 × 120 × 25 mm	No	168
9G1212G101	9G1212G102	9G1212G101	9G1212G1D01	9G1212P1G04	120 × 120 × 38 mm	Yes	182
9G1212G1011	9G1212G1021	9G1212G1011	9G1212G1D011	9G1212P1G081	120 × 120 × 38 mm	No	182
9G1212G401	9G1212G402	9G1212G401	9G1212G4D01	9G1212P4G03	120 × 120 × 25 mm	Yes	168
9G1212G4011	9G1212G4021	9G1212G4011	9G1212G4D011	9G1212P4G031	120 × 120 × 25 mm	No	168
9G1212H101	9G1212H102	9G1212H101	9G1212H1D01	—	120 × 120 × 38 mm	Yes	182
9G1212H1011	9G1212H1021	9G1212H1011	9G1212H1D011	—	120 × 120 × 38 mm	No	182
9G1212H401	9G1212H402	9G1212H401	9G1212H4D01	9G1212P4H04	120 × 120 × 25 mm	Yes	168
9G1212H4011	9G1212H4021	9G1212H4011	9G1212H4D011	9G1212P4H091	120 × 120 × 25 mm	No	168
9G1212M101	9G1212M102	9G1212M101	9G1212M1D01	—	120 × 120 × 38 mm	Yes	182
9G1212M1011	9G1212M1021	9G1212M1011	9G1212M1D011	—	120 × 120 × 38 mm	No	182
9G1212M401	9G1212M402	9G1212M401	9G1212M4D01	—	120 × 120 × 25 mm	Yes	168
9G1212M4011	9G1212M4021	9G1212M4011	9G1212M4D011	—	120 × 120 × 25 mm	No	168
9G1224A401	9G1224A402	9G1224A401	9G1224A4D01	—	120 × 120 × 25 mm	Yes	168
9G1224A4011	9G1224A4021	9G1224A4011	9G1224A4D011	—	120 × 120 × 25 mm	No	168
9G1224E101	9G1224E102	9G1224E101	9G1224E1D01	—	120 × 120 × 38 mm	Yes	182
9G1224E1011	9G1224E1021	9G1224E1011	9G1224E1D011	—	120 × 120 × 38 mm	No	182
9G1224E401	9G1224E402	9G1224E401	9G1224E4D01	9G1224P4E01	120 × 120 × 25 mm	Yes	168
9G1224E4011	9G1224E4021	9G1224E4011	9G1224E4D011	—	120 × 120 × 25 mm	No	168
9G1224F101	9G1224F102	9G1224F101	9G1224F1D01	—	120 × 120 × 38 mm	Yes	182
9G1224F1011	9G1224F1021	9G1224F1011	—	—	120 × 120 × 38 mm	No	182
9G1224F401	9G1224F402	9G1224F401	9G1224F4D01	—	120 × 120 × 25 mm	Yes	168
9G1224F4011	9G1224F4021	9G1224F4011	9G1224F4D011	—	120 × 120 × 25 mm	No	168
9G1224G101	9G1224G102	9G1224G101	9G1224G1D01	9G1224P1G01	120 × 120 × 38 mm	Yes	182
9G1224G1011	9G1224G1021	9G1224G1011	9G1224G1D011	—	120 × 120 × 38 mm	No	182
9G1224G401	9G1224G402	9G1224G401	9G1224G4D01	—	120 × 120 × 25 mm	Yes	168
9G1224G4011	9G1224G4021	9G1224G4011	9G1224G4D011	—	120 × 120 × 25 mm	No	168
9G1224H101	9G1224H102	9G1224H101	9G1224H1D01	—	120 × 120 × 38 mm	Yes	182
9G1224H1011	9G1224H1021	9G1224H1011	9G1224H1D011	—	120 × 120 × 38 mm	No	182
9G1224H401	9G1224H402	9G1224H401	9G1224H4D01	—	120 × 120 × 25 mm	Yes	168
9G1224H4011	9G1224H4021	9G1224H4011	9G1224H4D011	—	120 × 120 × 25 mm	No	168
9G1224M101	9G1224M102	9G1224M101	9G1224M1D01	—	120 × 120 × 38 mm	Yes	182
9G1224M1011	9G1224M1021	9G1224M1011	9G1224M1D011	—	120 × 120 × 38 mm	No	182
9G1224M401	9G1224M402	9G1224M401	9G1224M4D01	—	120 × 120 × 25 mm	Yes	168
9G1224M4011	9G1224M4021	9G1224M4011	9G1224M4D011	—	120 × 120 × 25 mm	No	168
9G1248A401	9G1248A402	9G1248A401	9G1248A4D01	—	120 × 120 × 25 mm	Yes	168
9G1248A4011	9G1248A4021	9G1248A4011	9G1248A4D011	—	120 × 120 × 25 mm	No	168
9G1248E101	9G1248E102	9G1248E101	9G1248E1D01	—	120 × 120 × 38 mm	Yes	182

For compliance with standards, see individual product pages. Please contact your point of sale regarding low-speed sensors. The ⚡ mark indicates Short Lead Time Service applicable models. See p. 626 for details.

Models listed in product pages	List of models (Below are optional models and not listed in product pages. Standard compliance of these optional models may differ from that of the models listed in product pages. Contact us for details of "-" models.)				Frame size	Rib	page
	Without sensor	With pulse sensor	With lock sensor	With PWM control function and pulse sensor			
	9G1248E1011	9G1248E1021	9G1248E1011	9G1248E1D011			
9G1248E401	🔗 9G1248E402	🔗 9G1248E401	9G1248E4D01	9G1248P4E05	120 × 120 × 25 mm	Yes	168
9G1248E4011	9G1248E4021	9G1248E4011	9G1248E4D011	—	120 × 120 × 25 mm	No	168
9G1248F101	9G1248F102	🔗 9G1248F101	9G1248F1D01	—	120 × 120 × 38 mm	Yes	182
9G1248F1011	9G1248F1021	🔗 9G1248F1011	—	—	120 × 120 × 38 mm	No	182
9G1248F401	9G1248F402	🔗 9G1248F401	🔗 9G1248F4D01	—	120 × 120 × 25 mm	Yes	168
9G1248F4011	9G1248F4021	9G1248F4011	9G1248F4D011	—	120 × 120 × 25 mm	No	168
9G1248G101	9G1248G102	🔗 9G1248G101	9G1248G1D01	9G1248P1G04	120 × 120 × 38 mm	Yes	182
9G1248G1011	9G1248G1021	9G1248G1011	9G1248G1D011	9G1248P1G041	120 × 120 × 38 mm	No	182
9G1248G401	🔗 9G1248G402	🔗 9G1248G401	9G1248G4D01	9G1248P4G04	120 × 120 × 25 mm	Yes	168
9G1248G4011	9G1248G4021	9G1248G4011	9G1248G4D011	—	120 × 120 × 25 mm	No	168
9G1248H101	🔗 9G1248H102	🔗 9G1248H101	🔗 9G1248H1D01	—	120 × 120 × 38 mm	Yes	182
9G1248H1011	🔗 9G1248H1021	🔗 9G1248H1011	🔗 9G1248H1D011	—	120 × 120 × 38 mm	No	182
9G1248H401	🔗 9G1248H402	🔗 9G1248H401	9G1248H4D01	—	120 × 120 × 25 mm	Yes	168
9G1248H4011	9G1248H4021	🔗 9G1248H4011	9G1248H4D011	—	120 × 120 × 25 mm	No	168
9G1248M101	🔗 9G1248M102	🔗 9G1248M101	🔗 9G1248M1D01	—	120 × 120 × 38 mm	Yes	182
9G1248M1011	🔗 9G1248M1021	🔗 9G1248M1011	🔗 9G1248M1D011	—	120 × 120 × 38 mm	No	182
9G1248M401	🔗 9G1248M402	🔗 9G1248M401	9G1248M4D01	—	120 × 120 × 25 mm	Yes	168
9G1248M4011	9G1248M4021	9G1248M4011	9G1248M4D011	—	120 × 120 × 25 mm	No	168
9GA0312P3G001	—	🔗 9GA0312G3001	9GA0312G3D001	🔗 9GA0312P3G001	38 × 38 × 28 mm	Yes	18
9GA0312P3G0011	—	—	—	9GA0312P3G0011	38 × 38 × 28 mm	No	18
9GA0312P3J001	—	9GA0312J3001	—	🔗 9GA0312P3J001	38 × 38 × 28 mm	Yes	18
9GA0312P3J0011	—	—	—	9GA0312P3J0011	38 × 38 × 28 mm	No	18
9GA0312P3K001	—	9GA0312K3001	—	🔗 9GA0312P3K001	38 × 38 × 28 mm	Yes	18
9GA0312P3K0011	—	—	9GA0312K3D0011	9GA0312P3K0011	38 × 38 × 28 mm	No	18
9GA0405P6F001	9GA0405F6002	9GA0405F6001	—	🔗 9GA0405P6F001	40 × 40 × 20 mm	Yes	30
9GA0405P6H001	9GA0405H6002	9GA0405H6001	—	🔗 9GA0405P6H001	40 × 40 × 20 mm	Yes	30
9GA0412G7001	🔗 9GA0412G7002	🔗 9GA0412G7001	🔗 9GA0412G7D001	🔗 9GA0412P7G001	40 × 40 × 15 mm	Yes	25
9GA0412H7001	🔗 9GA0412H7002	🔗 9GA0412H7001	9GA0412H7D001	—	40 × 40 × 15 mm	Yes	25
9GA0412P3G01	9GA0412G302	9GA0412G301	—	🔗 9GA0412P3G01	40 × 40 × 28 mm	Yes	42
9GA0412P3G011	9GA0412G3021	9GA0412G3011	—	🔗 9GA0412P3G011	40 × 40 × 28 mm	No	42
9GA0412P3H01	9GA0412H302	9GA0412H301	9GA0412H3D01	🔗 9GA0412P3H01	40 × 40 × 28 mm	Yes	42
9GA0412P3H011	9GA0412H3021	9GA0412H3011	9GA0412H3D011	🔗 9GA0412P3H011	40 × 40 × 28 mm	No	42
9GA0412P3J01	9GA0412J302	9GA0412J301	9GA0412J3D01	🔗 9GA0412P3J01	40 × 40 × 28 mm	Yes	42
9GA0412P3J011	9GA0412J3021	9GA0412J3011	—	🔗 9GA0412P3J011	40 × 40 × 28 mm	No	42
9GA0412P3K01	9GA0412K302	9GA0412K301	9GA0412K3D01	🔗 9GA0412P3K01	40 × 40 × 28 mm	Yes	42
9GA0412P3K011	9GA0412K3021	9GA0412K3011	—	🔗 9GA0412P3K011	40 × 40 × 28 mm	No	42
9GA0412P3M01	9GA0412M302	9GA0412M301	9GA0412M3D01	🔗 9GA0412P3M01	40 × 40 × 28 mm	Yes	42
9GA0412P3M011	9GA0412M3021	9GA0412M3011	—	🔗 9GA0412P3M011	40 × 40 × 28 mm	No	42
9GA0412P6F001	9GA0412F6002	9GA0412F6001	—	🔗 9GA0412P6F001	40 × 40 × 20 mm	Yes	30
9GA0412P6G001	9GA0412G6002	9GA0412G6001	—	🔗 9GA0412P6G001	40 × 40 × 20 mm	Yes	30
9GA0412P6H001	9GA0412H6002	9GA0412H6001	—	🔗 9GA0412P6H001	40 × 40 × 20 mm	Yes	30
9GA0412P7G001	🔗 9GA0412G7002	🔗 9GA0412G7001	🔗 9GA0412G7D001	🔗 9GA0412P7G001	40 × 40 × 15 mm	Yes	25
9GA0424P3G001	9GA0424G3002	9GA0424G3001	9GA0424G3D001	🔗 9GA0424P3G001	40 × 40 × 28 mm	Yes	42
9GA0424P3G0011	9GA0424G30021	9GA0424G30011	—	🔗 9GA0424P3G0011	40 × 40 × 28 mm	No	42
9GA0424P3H001	9GA0424H3002	9GA0424H3001	🔗 9GA0424H3D001	🔗 9GA0424P3H001	40 × 40 × 28 mm	Yes	42
9GA0424P3H0011	9GA0424H30021	9GA0424H30011	—	🔗 9GA0424P3H0011	40 × 40 × 28 mm	No	42
9GA0424P3J001	🔗 9GA0424J3002	9GA0424J3001	9GA0424J3D001	🔗 9GA0424P3J001	40 × 40 × 28 mm	Yes	42
9GA0424P3J0011	9GA0424J30021	9GA0424J30011	—	🔗 9GA0424P3J0011	40 × 40 × 28 mm	No	42
9GA0424P3M001	9GA0424M3002	9GA0424M3001	—	🔗 9GA0424P3M001	40 × 40 × 28 mm	Yes	42
9GA0424P3M0011	9GA0424M30021	9GA0424M30011	9GA0424M3D001	🔗 9GA0424P3M0011	40 × 40 × 28 mm	No	42
9GA0424P6F001	9GA0424F6002	9GA0424F6001	9GA0424F6D001	🔗 9GA0424P6F001	40 × 40 × 20 mm	Yes	30
9GA0424P6G001	9GA0424G6002	9GA0424G6001	9GA0424G6D001	🔗 9GA0424P6G001	40 × 40 × 20 mm	Yes	30
9GA0424P6H001	🔗 9GA0424H6002	9GA0424H6001	9GA0424H6D001	🔗 9GA0424P6H001	40 × 40 × 20 mm	Yes	30
9GA0512P7A001	9GA0512A7002	9GA0512A7001	—	🔗 9GA0512P7A001	52 × 52 × 15 mm	Yes	54
9GA0512P7G001	9GA0512G7002	9GA0512G7001	—	🔗 9GA0512P7G001	52 × 52 × 15 mm	Yes	54
9GA0512P7H001	9GA0512H7002	9GA0512H7001	9GA0512H7D001	🔗 9GA0512P7H001	52 × 52 × 15 mm	Yes	54
9GA0512P7M001	9GA0512M7002	9GA0512M7001	—	🔗 9GA0512P7M001	52 × 52 × 15 mm	Yes	54
9GA0524P7A001	9GA0524A7002	9GA0524A7001	9GA0524A7D001	🔗 9GA0524P7A001	52 × 52 × 15 mm	Yes	54
9GA0524P7G001	9GA0524G7002	9GA0524G7001	9GA0524G7D001	🔗 9GA0524P7G001	52 × 52 × 15 mm	Yes	54
9GA0524P7H001	9GA0524H7002	9GA0524H7001	—	🔗 9GA0524P7H001	52 × 52 × 15 mm	Yes	54

For compliance with standards, see individual product pages. Please contact your point of sale regarding low-speed sensors. The 🔗 mark indicates Short Lead Time Service applicable models. See p. 626 for details.

Models listed in product pages	List of models (Below are optional models and not listed in product pages. Standard compliance of these optional models may differ from that of the models listed in product pages. Contact us for details of "—" models.)				Frame size	Rib	page
	Without sensor	With pulse sensor	With lock sensor	With PWM control function and pulse sensor			
	9GA0524P7M001	9GA0524M7002	9GA0524M7001	—			
9GA0612G701	9GA0612G702	9GA0612G701	9GA0612G7D01	9GA0612P7G01	60 × 60 × 15 mm	Yes	62
9GA0612G9001	9GA0612G9002	9GA0612G9001	9GA0612G9D001	9GA0612P9G001	60 × 60 × 10 mm	Yes	60
9GA0612H6001	9GA0612H6002	9GA0612H6001	9GA0612H6D001	—	60 × 60 × 20 mm	Yes	66
9GA0612H701	9GA0612H702	9GA0612H701	9GA0612H7D01	9GA0612P7H01	60 × 60 × 15 mm	Yes	62
9GA0612H9001	9GA0612H9002	9GA0612H9001	9GA0612H9D001	—	60 × 60 × 10 mm	Yes	60
9GA0612L701	9GA0612L702	9GA0612L701	9GA0612L7D01	—	60 × 60 × 15 mm	Yes	62
9GA0612L9001	9GA0612L9002	9GA0612L9001	9GA0612L9D001	—	60 × 60 × 10 mm	Yes	60
9GA0612M6001	9GA0612M6002	9GA0612M6001	9GA0612M6D001	—	60 × 60 × 20 mm	Yes	66
9GA0612M701	9GA0612M702	9GA0612M701	—	—	60 × 60 × 15 mm	Yes	62
9GA0612P1H03	9GA0612H102	9GA0612H101	—	9GA0612P1H03	60 × 60 × 38 mm	Yes	84
9GA0612P1H031	9GA0612H1021	9GA0612H1011	—	9GA0612P1H031	60 × 60 × 38 mm	No	84
9GA0612P1J03	9GA0612J102	9GA0612J101	9GA0612J1D01	9GA0612P1J03	60 × 60 × 38 mm	Yes	84
9GA0612P1J031	9GA0612J1021	9GA0612J1011	—	9GA0612P1J031	60 × 60 × 38 mm	No	84
9GA0612P1K03	9GA0612K102	9GA0612K101	9GA0612K1D01	9GA0612P1K03	60 × 60 × 38 mm	Yes	84
9GA0612P1K031	9GA0612K1021	9GA0612K1011	9GA0612K1D011	9GA0612P1K031	60 × 60 × 38 mm	No	84
9GA0612P1K60	—	—	—	9GA0612P1K60	60 × 60 × 38 mm	Yes	84
9GA0612P1K601	—	—	—	9GA0612P1K601	60 × 60 × 38 mm	No	84
9GA0612P6G001	9GA0612G6002	9GA0612G6001	—	9GA0612P6G001	60 × 60 × 20 mm	Yes	66
9GA0612P6S001	9GA0612S6002	9GA0612S6001	—	9GA0612P6S001	60 × 60 × 20 mm	Yes	66
9GA0612P7G01	9GA0612G702	9GA0612G701	9GA0612G7D01	9GA0612P7G01	60 × 60 × 15 mm	Yes	62
9GA0612P7H01	9GA0612H702	9GA0612H701	9GA0612H7D01	9GA0612P7H01	60 × 60 × 15 mm	Yes	62
9GA0624H6001	9GA0624H6002	9GA0624H6001	9GA0624H6D001	—	60 × 60 × 20 mm	Yes	66
9GA0624M6001	9GA0624M6002	9GA0624M6001	9GA0624M6D001	—	60 × 60 × 20 mm	Yes	66
9GA0624M701	9GA0624M702	9GA0624M701	—	—	60 × 60 × 15 mm	Yes	62
9GA0624P1J03	9GA0624J102	9GA0624J101	—	9GA0624P1J03	60 × 60 × 38 mm	Yes	84
9GA0624P1J031	9GA0624J1021	9GA0624J1011	—	9GA0624P1J031	60 × 60 × 38 mm	No	84
9GA0624P1K03	9GA0624K102	—	9GA0624K1D01	9GA0624P1K03	60 × 60 × 38 mm	Yes	84
9GA0624P1K031	—	—	—	9GA0624P1K031	60 × 60 × 38 mm	No	84
9GA0624P6G001	9GA0624G6002	9GA0624G6001	9GA0624G6D001	9GA0624P6G001	60 × 60 × 20 mm	Yes	66
9GA0624P6S001	9GA0624S6002	—	—	9GA0624P6S001	60 × 60 × 20 mm	Yes	66
9GA0624P7G01	9GA0624G702	—	—	9GA0624P7G01	60 × 60 × 15 mm	Yes	62
9GA0712P1G001	—	—	—	9GA0712P1G001	70 × 70 × 38 mm	Yes	89
9GA0712P1G0011	—	—	—	9GA0712P1G0011	70 × 70 × 38 mm	No	89
9GA0712P1H001	—	—	—	9GA0712P1H001	70 × 70 × 38 mm	Yes	89
9GA0712P1H0011	—	—	—	9GA0712P1H0011	70 × 70 × 38 mm	No	89
9GA0812A2001	9GA0812A2002	9GA0812A2001	9GA0812A2D001	—	80 × 80 × 32 mm	Yes	117
9GA0812A20011	9GA0812A20021	9GA0812A20011	9GA0812A2D0011	—	80 × 80 × 32 mm	No	117
9GA0812B2001	9GA0812B2002	9GA0812B2001	9GA0812B2D001	—	80 × 80 × 32 mm	Yes	117
9GA0812B20011	9GA0812B20021	9GA0812B20011	9GA0812B2D0011	—	80 × 80 × 32 mm	No	117
9GA0812H7001	9GA0812H7002	9GA0812H7001	9GA0812H7D001	—	80 × 80 × 15 mm	Yes	91
9GA0812L2001	9GA0812L2002	9GA0812L2001	9GA0812L2D001	—	80 × 80 × 32 mm	Yes	117
9GA0812L20011	9GA0812L20021	9GA0812L20011	9GA0812L2D0011	—	80 × 80 × 32 mm	No	117
9GA0812P1G61	—	—	—	9GA0812P1G61	80 × 80 × 38 mm	Yes	126
9GA0812P1G611	—	—	—	9GA0812P1G611	80 × 80 × 38 mm	No	126
9GA0812P1H61	9GA0812H162	9GA0812H161	9GA0812H1D61	9GA0812P1H61	80 × 80 × 38 mm	Yes	126
9GA0812P1H611	9GA0812H1621	9GA0812H1611	—	9GA0812P1H611	80 × 80 × 38 mm	No	126
9GA0812P1S61	9GA0812S162	9GA0812S161	9GA0812S1D61	9GA0812P1S61	80 × 80 × 38 mm	Yes	126
9GA0812P1S611	9GA0812S1621	9GA0812S1611	—	9GA0812P1S611	80 × 80 × 38 mm	No	126
9GA0812P2H001	—	—	—	9GA0812P2H001	80 × 80 × 32 mm	Yes	117
9GA0812P2H0011	—	—	—	9GA0812P2H0011	80 × 80 × 32 mm	No	117
9GA0812P2M001	—	—	—	9GA0812P2M001	80 × 80 × 32 mm	Yes	117
9GA0812P2M0011	—	—	—	9GA0812P2M0011	80 × 80 × 32 mm	No	117
9GA0812P2S001	—	9GA0812S2001	—	9GA0812P2S001	80 × 80 × 32 mm	Yes	117
9GA0812P2S0011	—	—	—	9GA0812P2S0011	80 × 80 × 32 mm	No	117
9GA0812P4G001	9GA0812G4002	9GA0812G4001	9GA0812G4D001	9GA0812P4G001	80 × 80 × 25 mm	Yes	102
9GA0812P4G0011	9GA0812G40021	9GA0812G40011	—	9GA0812P4G0011	80 × 80 × 25 mm	No	102
9GA0812P4H001	9GA0812H4002	9GA0812H4001	9GA0812H4D001	9GA0812P4H001	80 × 80 × 25 mm	Yes	102
9GA0812P4H0011	9GA0812H40021	9GA0812H40011	—	9GA0812P4H0011	80 × 80 × 25 mm	No	102
9GA0812P4J001	9GA0812J4002	9GA0812J4001	9GA0812J4D001	9GA0812P4J001	80 × 80 × 25 mm	Yes	102
9GA0812P4J0011	9GA0812J40021	9GA0812J40011	—	9GA0812P4J0011	80 × 80 × 25 mm	No	102

For compliance with standards, see individual product pages. Please contact your point of sale regarding low-speed sensors. The  mark indicates Short Lead Time Service applicable models. See p. 626 for details.

Models listed in product pages	List of models (Below are optional models and not listed in product pages. Standard compliance of these optional models may differ from that of the models listed in product pages. Contact us for details of "—" models.)				Frame size	Rib	page
	Without sensor	With pulse sensor	With lock sensor	With PWM control function and pulse sensor			
	9GA0812P6G001	9GA0812G6002	9GA0812G6001	—			
9GA0812P6M001	9GA0812M6002	9GA0812M6001	—	☛ 9GA0812P6M001	80 × 80 × 20 mm	Yes	96
9GA0812P7G001	9GA0812G7002	9GA0812G7001	9GA0812G7D001	☛ 9GA0812P7G001	80 × 80 × 15 mm	Yes	91
9GA0812P7S001	—	—	—	☛ 9GA0812P7S001	80 × 80 × 15 mm	Yes	91
9GA0824A2001	☛ 9GA0824A2002	☛ 9GA0824A2001	☛ 9GA0824A2D001	—	80 × 80 × 32 mm	Yes	117
9GA0824A20011	☛ 9GA0824A20021	☛ 9GA0824A20011	9GA0824A2D0011	—	80 × 80 × 32 mm	No	117
9GA0824B2001	☛ 9GA0824B2002	☛ 9GA0824B2001	☛ 9GA0824B2D001	—	80 × 80 × 32 mm	Yes	117
9GA0824B20011	☛ 9GA0824B20021	☛ 9GA0824B20011	☛ 9GA0824B2D0011	—	80 × 80 × 32 mm	No	117
9GA0824H7001	9GA0824H7002	☛ 9GA0824H7001	9GA0824H7D001	—	80 × 80 × 15 mm	Yes	91
9GA0824L2001	☛ 9GA0824L2002	☛ 9GA0824L2001	☛ 9GA0824L2D001	—	80 × 80 × 32 mm	Yes	117
9GA0824L20011	☛ 9GA0824L20021	☛ 9GA0824L20011	☛ 9GA0824L2D0011	—	80 × 80 × 32 mm	No	117
9GA0824P1H61	9GA0824H162	9GA0824H161	9GA0824H1D61	☛ 9GA0824P1H61	80 × 80 × 38 mm	Yes	126
9GA0824P1H611	9GA0824H1621	9GA0824H1611	—	☛ 9GA0824P1H611	80 × 80 × 38 mm	No	126
9GA0824P1S61	9GA0824S162	9GA0824S161	—	☛ 9GA0824P1S61	80 × 80 × 38 mm	Yes	126
9GA0824P1S611	9GA0824S1621	9GA0824S1611	—	☛ 9GA0824P1S611	80 × 80 × 38 mm	No	126
9GA0824P2S001	9GA0824S2002	—	—	☛ 9GA0824P2S001	80 × 80 × 32 mm	Yes	117
9GA0824P2S0011	—	—	—	☛ 9GA0824P2S0011	80 × 80 × 32 mm	No	117
9GA0824P4G001	9GA0824G4002	9GA0824G4001	9GA0824G4D001	☛ 9GA0824P4G001	80 × 80 × 25 mm	Yes	102
9GA0824P4G0011	9GA0824G40021	9GA0824G40011	—	9GA0824P4G0011	80 × 80 × 25 mm	No	102
9GA0824P4H001	9GA0824H4002	9GA0824H4001	9GA0824H4D001	☛ 9GA0824P4H001	80 × 80 × 25 mm	Yes	102
9GA0824P4H0011	9GA0824H40021	9GA0824H40011	—	9GA0824P4H0011	80 × 80 × 25 mm	No	102
9GA0824P4J001	9GA0824J4002	9GA0824J4001	9GA0824J4D001	☛ 9GA0824P4J001	80 × 80 × 25 mm	Yes	102
9GA0824P4J0011	9GA0824J40021	9GA0824J40011	9GA0824J4D0011	☛ 9GA0824P4J0011	80 × 80 × 25 mm	No	102
9GA0824P6G001	9GA0824G6002	9GA0824G6001	—	☛ 9GA0824P6G001	80 × 80 × 20 mm	Yes	96
9GA0824P6M001	9GA0824M6002	9GA0824M6001	—	☛ 9GA0824P6M001	80 × 80 × 20 mm	Yes	96
9GA0824P7G001	9GA0824G7002	—	9GA0824G7D001	☛ 9GA0824P7G001	80 × 80 × 15 mm	Yes	91
9GA0824P7S001	—	—	—	☛ 9GA0824P7S001	80 × 80 × 15 mm	Yes	91
9GA0848P1S61	—	—	—	9GA0848P1S61	80 × 80 × 38 mm	Yes	126
9GA0848P1S611	—	—	—	9GA0848P1S611	80 × 80 × 38 mm	No	126
9GA0848P2S001	—	—	—	9GA0848P2S001	80 × 80 × 32 mm	Yes	117
9GA0848P2S0011	—	—	—	9GA0848P2S0011	80 × 80 × 32 mm	No	117
9GA0912F401	☛ 9GA0912F402	☛ 9GA0912F401	☛ 9GA0912F4D01	—	92 × 92 × 25 mm	Yes	136
9GA0912F4011	☛ 9GA0912F4021	☛ 9GA0912F4011	☛ 9GA0912F4D011	—	92 × 92 × 25 mm	No	136
9GA0912H401	☛ 9GA0912H402	☛ 9GA0912H401	☛ 9GA0912H4D01	—	92 × 92 × 25 mm	Yes	136
9GA0912H4011	☛ 9GA0912H4021	☛ 9GA0912H4011	☛ 9GA0912H4D011	—	92 × 92 × 25 mm	No	136
9GA0912L401	☛ 9GA0912L402	☛ 9GA0912L401	☛ 9GA0912L4D01	—	92 × 92 × 25 mm	Yes	136
9GA0912L4011	☛ 9GA0912L4021	☛ 9GA0912L4011	☛ 9GA0912L4D011	—	92 × 92 × 25 mm	No	136
9GA0912M401	☛ 9GA0912M402	☛ 9GA0912M401	☛ 9GA0912M4D01	—	92 × 92 × 25 mm	Yes	136
9GA0912M4011	☛ 9GA0912M4021	☛ 9GA0912M4011	☛ 9GA0912M4D011	—	92 × 92 × 25 mm	No	136
9GA0912P1H03	9GA0912H102	9GA0912H101	9GA0912H1D01	☛ 9GA0912P1H03	92 × 92 × 38 mm	Yes	152
9GA0912P1H031	9GA0912H1021	9GA0912H1011	—	☛ 9GA0912P1H031	92 × 92 × 38 mm	No	152
9GA0912P4G03	9GA0912G402	9GA0912G401	9GA0912G4D01	☛ 9GA0912P4G03	92 × 92 × 25 mm	Yes	136
9GA0912P4G031	9GA0912G4021	9GA0912G4011	—	☛ 9GA0912P4G031	92 × 92 × 25 mm	No	136
9GA0912P4J03	☛ 9GA0912J402	☛ 9GA0912J401	☛ 9GA0912J4D01	☛ 9GA0912P4J03	92 × 92 × 25 mm	Yes	136
9GA0912P4J031	☛ 9GA0912J4021	☛ 9GA0912J4011	☛ 9GA0912J4D011	☛ 9GA0912P4J031	92 × 92 × 25 mm	No	136
9GA0912P4S03	☛ 9GA0912S402	☛ 9GA0912S401	☛ 9GA0912S4D01	☛ 9GA0912P4S03	92 × 92 × 25 mm	Yes	136
9GA0912P4S031	☛ 9GA0912S4021	☛ 9GA0912S4011	☛ 9GA0912S4D011	☛ 9GA0912P4S031	92 × 92 × 25 mm	No	136
9GA0912W401	☛ 9GA0912W402	☛ 9GA0912W401	☛ 9GA0912W4D01	—	92 × 92 × 25 mm	Yes	136
9GA0912W4011	☛ 9GA0912W4021	☛ 9GA0912W4011	☛ 9GA0912W4D011	—	92 × 92 × 25 mm	No	136
9GA0924F401	☛ 9GA0924F402	☛ 9GA0924F401	☛ 9GA0924F4D01	—	92 × 92 × 25 mm	Yes	136
9GA0924F4011	☛ 9GA0924F4021	☛ 9GA0924F4011	☛ 9GA0924F4D011	—	92 × 92 × 25 mm	No	136
9GA0924H401	☛ 9GA0924H402	☛ 9GA0924H401	☛ 9GA0924H4D01	—	92 × 92 × 25 mm	Yes	136
9GA0924H4011	☛ 9GA0924H4021	☛ 9GA0924H4011	☛ 9GA0924H4D011	—	92 × 92 × 25 mm	No	136
9GA0924L401	☛ 9GA0924L402	☛ 9GA0924L401	☛ 9GA0924L4D01	—	92 × 92 × 25 mm	Yes	136
9GA0924L4011	☛ 9GA0924L4021	☛ 9GA0924L4011	☛ 9GA0924L4D011	—	92 × 92 × 25 mm	No	136
9GA0924M401	☛ 9GA0924M402	☛ 9GA0924M401	☛ 9GA0924M4D01	—	92 × 92 × 25 mm	Yes	136
9GA0924M4011	☛ 9GA0924M4021	☛ 9GA0924M4011	☛ 9GA0924M4D011	—	92 × 92 × 25 mm	No	136
9GA0924P1H01	9GA0924H102	☛ 9GA0924H101	9GA0924H1D01	☛ 9GA0924P1H01	92 × 92 × 38 mm	Yes	152
9GA0924P1H011	—	☛ 9GA0924H1011	9GA0924H1D011	9GA0924P1H011	92 × 92 × 38 mm	No	152
9GA0924P4G03	☛ 9GA0924G402	9GA0924G401	9GA0924G4D01	☛ 9GA0924P4G03	92 × 92 × 25 mm	Yes	136
9GA0924P4G031	9GA0924G4021	9GA0924G4011	—	9GA0924P4G031	92 × 92 × 25 mm	No	136

For compliance with standards, see individual product pages. Please contact your point of sale regarding low-speed sensors. The ☛ mark indicates Short Lead Time Service applicable models. See p. 626 for details.

Models listed in product pages	List of models (Below are optional models and not listed in product pages. Standard compliance of these optional models may differ from that of the models listed in product pages. Contact us for details of "-" models.)				Frame size	Rib	page
	Without sensor	With pulse sensor	With lock sensor	With PWM control function and pulse sensor			
	9GA0924P4J03	9GA0924J402	9GA0924J401	9GA0924J4D01			
9GA0924P4J031	9GA0924J4021	9GA0924J4011	—	9GA0924P4J031	92 × 92 × 25 mm	No	136
9GA0924P4S03	9GA0924S402	9GA0924S401	9GA0924S4D01	9GA0924P4S03	92 × 92 × 25 mm	Yes	136
9GA0924P4S031	9GA0924S4021	9GA0924S4011	—	9GA0924P4S031	92 × 92 × 25 mm	No	136
9GA0924W401	9GA0924W402	9GA0924W401	9GA0924W4D01	—	92 × 92 × 25 mm	Yes	136
9GA0924W4011	9GA0924W4021	9GA0924W4011	9GA0924W4D011	—	92 × 92 × 25 mm	No	136
9GA0948P1H03	9GA0948H102	9GA0948H101	—	9GA0948P1H03	92 × 92 × 38 mm	Yes	152
9GA0948P1H031	—	—	—	9GA0948P1H031	92 × 92 × 38 mm	No	152
9GA1212G4001	—	9GA1212G4001	—	9GA1212P4G001	120 × 120 × 25 mm	Yes	161
9GA1212G40011	—	9GA1212G40011	—	9GA1212P4G0011	120 × 120 × 25 mm	No	161
9GA1212P4G001	—	9GA1212G4001	—	9GA1212P4G001	120 × 120 × 25 mm	Yes	161
9GA1212P4G0011	—	9GA1212G40011	—	9GA1212P4G0011	120 × 120 × 25 mm	No	161
9GA1212P4S001	—	9GA1212S4001	—	9GA1212P4S001	120 × 120 × 25 mm	Yes	161
9GA1212P4S0011	—	9GA1212S40011	—	9GA1212P4S0011	120 × 120 × 25 mm	No	161
9GA1212S4001	—	9GA1212S4001	—	9GA1212P4S001	120 × 120 × 25 mm	Yes	161
9GA1212S40011	—	9GA1212S40011	—	9GA1212P4S0011	120 × 120 × 25 mm	No	161
9GA1224G4001	9GA1224G4002	9GA1224G4001	9GA1224G4D001	9GA1224P4G001	120 × 120 × 25 mm	Yes	161
9GA1224G40011	—	9GA1224G40011	—	9GA1224P4G0011	120 × 120 × 25 mm	No	161
9GA1224P4G001	9GA1224G4002	9GA1224G4001	9GA1224G4D001	9GA1224P4G001	120 × 120 × 25 mm	Yes	161
9GA1224P4G0011	—	9GA1224G40011	—	9GA1224P4G0011	120 × 120 × 25 mm	No	161
9GA1224P4S001	—	9GA1224S4001	9GA1224S4D001	9GA1224P4S001	120 × 120 × 25 mm	Yes	161
9GA1224P4S0011	—	9GA1224S40011	—	9GA1224P4S0011	120 × 120 × 25 mm	No	161
9GA1224S4001	9GA1224S4002	9GA1224S4001	—	9GA1224P4S001	120 × 120 × 25 mm	Yes	161
9GA1224S40011	—	9GA1224S40011	—	9GA1224P4S0011	120 × 120 × 25 mm	No	161
9GA1248G4001	—	9GA1248G4001	—	9GA1248P4G001	120 × 120 × 25 mm	Yes	161
9GA1248G40011	—	9GA1248G40011	—	9GA1248P4G0011	120 × 120 × 25 mm	No	161
9GA1248P4G001	—	9GA1248G4001	—	9GA1248P4G001	120 × 120 × 25 mm	Yes	161
9GA1248P4G0011	—	9GA1248G40011	—	9GA1248P4G0011	120 × 120 × 25 mm	No	161
9GA1248P4S001	—	9GA1248S4001	—	9GA1248P4S001	120 × 120 × 25 mm	Yes	161
9GA1248P4S0011	—	9GA1248S40011	—	9GA1248P4S0011	120 × 120 × 25 mm	No	161
9GA1248S4001	—	9GA1248S4001	—	9GA1248P4S001	120 × 120 × 25 mm	Yes	161
9GA1248S40011	—	9GA1248S40011	—	9GA1248P4S0011	120 × 120 × 25 mm	No	161
9GAX0412P3K001	—	—	—	9GAX0412P3K001	40 × 40 × 28 mm	Yes	39
9GAX0412P3K0011	—	—	—	9GAX0412P3K0011	40 × 40 × 28 mm	No	39
9GAX0412P3K003	—	—	—	9GAX0412P3K003	40 × 40 × 28 mm	Yes	39
9GAX0412P3K0031	—	—	—	9GAX0412P3K0031	40 × 40 × 28 mm	No	39
9GAX0412P3S001	—	—	—	9GAX0412P3S001	40 × 40 × 28 mm	Yes	39
9GAX0412P3S0011	—	—	—	9GAX0412P3S0011	40 × 40 × 28 mm	No	39
9GAX0412P3S003	—	—	—	9GAX0412P3S003	40 × 40 × 28 mm	Yes	39
9GAX0412P3S0031	—	—	—	9GAX0412P3S0031	40 × 40 × 28 mm	No	39
9GE0412P3G03	—	—	9GE0412G3D01	9GE0412P3G03	40 × 40 × 28 mm	No	46
9GE0412P3J03	9GE0412J302	9GE0412J301	9GE0412J3D01	9GE0412P3J03	40 × 40 × 28 mm	No	46
9GE0412P3K03	—	9GE0412K301	9GE0412K3D01	9GE0412P3K03	40 × 40 × 28 mm	No	46
9GL1212E101	9GL1212E102	9GL1212E101	9GL1212E1D01	—	120 × 120 × 38 mm	No	405
9GL1212F101	9GL1212F102	9GL1212F101	9GL1212F1D01	—	120 × 120 × 38 mm	No	405
9GL1212G101	9GL1212G102	9GL1212G101	9GL1212G1D01	—	120 × 120 × 38 mm	No	405
9GL1212H101	9GL1212H102	9GL1212H101	9GL1212H1D01	—	120 × 120 × 38 mm	No	405
9GL1212M101	9GL1212M102	9GL1212M101	9GL1212M1D01	—	120 × 120 × 38 mm	No	405
9GL1224E101	9GL1224E102	9GL1224E101	9GL1224E1D01	—	120 × 120 × 38 mm	No	405
9GL1224F101	9GL1224F102	9GL1224F101	9GL1224F1D01	—	120 × 120 × 38 mm	No	405
9GL1224G101	9GL1224G102	9GL1224G101	9GL1224G1D01	—	120 × 120 × 38 mm	No	405
9GL1224H101	9GL1224H102	9GL1224H101	9GL1224H1D01	—	120 × 120 × 38 mm	No	405
9GL1224M101	9GL1224M102	9GL1224M101	9GL1224M1D01	—	120 × 120 × 38 mm	No	405
9GL1248E101	9GL1248E102	9GL1248E101	9GL1248E1D01	—	120 × 120 × 38 mm	No	405
9GL1248F101	9GL1248F102	9GL1248F101	9GL1248F1D01	—	120 × 120 × 38 mm	No	405
9GL1248G101	9GL1248G102	9GL1248G101	9GL1248G1D01	—	120 × 120 × 38 mm	No	405
9GL1248H101	9GL1248H102	9GL1248H101	9GL1248H1D01	—	120 × 120 × 38 mm	No	405
9GL1248M101	9GL1248M102	9GL1248M101	9GL1248M1D01	—	120 × 120 × 38 mm	No	405
9GP1224P1G001	9GP1224G1002	—	—	9GP1224P1G001	120 × 120 × 38 mm	No	438
9GP1248P1G001	—	—	—	9GP1248P1G001	120 × 120 × 38 mm	No	438
9GP5724P5H001	—	—	—	9GP5724P5H001	172 × 150 × 51 mm	No	440

For compliance with standards, see individual product pages. Please contact your point of sale regarding low-speed sensors. The ⚡ mark indicates Short Lead Time Service applicable models. See p. 626 for details.

Models listed in product pages	List of models (Below are optional models and not listed in product pages. Standard compliance of these optional models may differ from that of the models listed in product pages. Contact us for details of "—" models.)				Frame size	Rib	page
	Without sensor	With pulse sensor	With lock sensor	With PWM control function and pulse sensor			
	9GP5748P5G001	—	—	—			
9GT0412P3J001	9GT0412J3002	9GT0412J3001	9GT0412J3D001	☞ 9GT0412P3J001	40 × 40 × 28 mm	No	424
9GT0424P3J001	9GT0424J3002	9GT0424J3001	9GT0424J3D001	☞ 9GT0424P3J001	40 × 40 × 28 mm	No	424
9GT0612P4G001	9GT0612G4002	9GT0612G4001	9GT0612G4D001	☞ 9GT0612P4G001	60 × 60 × 25 mm	No	426
9GT0624P4G001	9GT0624G4002	9GT0624G4001	—	☞ 9GT0624P4G001	60 × 60 × 25 mm	No	426
9GT0812P4S001	9GT0812S4002	9GT0812S4001	9GT0812S4D001	☞ 9GT0812P4S001	80 × 80 × 25 mm	No	428
9GT0824P4S001	9GT0824S4002	9GT0824S4001	—	☞ 9GT0824P4S001	80 × 80 × 25 mm	No	428
9GT0912P1M001	9GT0912M1002	9GT0912M1001	9GT0912M1D001	☞ 9GT0912P1M001	92 × 92 × 38 mm	No	432
9GT0912P4J001	9GT0912J4002	9GT0912J4001	9GT0912J4D001	☞ 9GT0912P4J001	92 × 92 × 25 mm	No	430
9GT0924P1M001	9GT0924M1002	—	9GT0924M1D001	☞ 9GT0924P1M001	92 × 92 × 38 mm	No	432
9GT0924P4J001	9GT0924J4002	9GT0924J4001	—	☞ 9GT0924P4J001	92 × 92 × 25 mm	No	430
9GT1212P1S001	—	—	—	☞ 9GT1212P1S001	120 × 120 × 38 mm	No	434
9GT1224P1S001	9GT1224S1002	—	9GT1224S1D001	☞ 9GT1224P1S001	120 × 120 × 38 mm	No	434
9GV0312E301	9GV0312E302	9GV0312E301	9GV0312E3D01	—	38 × 38 × 28 mm	Yes	21
9GV0312E3011	—	9GV0312E3011	9GV0312E3D011	—	38 × 38 × 28 mm	No	21
9GV0312G301	9GV0312G302	9GV0312G301	9GV0312G3D01	9GV0312P3G03	38 × 38 × 28 mm	Yes	21
9GV0312G3011	9GV0312G3021	9GV0312G3011	—	—	38 × 38 × 28 mm	No	21
9GV0312H301	9GV0312H302	9GV0312H301	9GV0312H3D01	—	38 × 38 × 28 mm	Yes	21
9GV0312H3011	—	9GV0312H3011	—	—	38 × 38 × 28 mm	No	21
9GV0312J301	9GV0312J302	9GV0312J301	9GV0312J3D01	9GV0312P3J03	38 × 38 × 28 mm	Yes	21
9GV0312J3011	9GV0312J3021	9GV0312J3011	—	9GV0312P3J031	38 × 38 × 28 mm	No	21
9GV0312K301	—	9GV0312K301	9GV0312K3D01	9GV0312P3K01	38 × 38 × 28 mm	Yes	21
9GV0312K3011	—	9GV0312K3011	9GV0312K3D011	—	38 × 38 × 28 mm	No	21
9GV0412C301	—	9GV0412C301	9GV0412C3D01	—	40 × 40 × 28 mm	Yes	49
9GV0412C3011	—	9GV0412C3011	9GV0412C3D011	—	40 × 40 × 28 mm	No	49
9GV0412G301	9GV0412G302	9GV0412G301	9GV0412G3D01	9GV0412P3G03	40 × 40 × 28 mm	Yes	49
9GV0412G3011	9GV0412G3021	9GV0412G3011	9GV0412G3D011	9GV0412P3G031	40 × 40 × 28 mm	No	49
9GV0412H301	—	9GV0412H301	9GV0412H3D01	9GV0412P3H01	40 × 40 × 28 mm	Yes	49
9GV0412H3011	—	9GV0412H3011	—	—	40 × 40 × 28 mm	No	49
9GV0412J301	9GV0412J302	9GV0412J301	9GV0412J3D01	9GV0412P3J03	40 × 40 × 28 mm	Yes	49
9GV0412J3011	9GV0412J3021	9GV0412J3011	9GV0412J3D011	9GV0412P3J031	40 × 40 × 28 mm	No	49
9GV0412K301	9GV0412K302	9GV0412K301	9GV0412K3D01	9GV0412P3K03	40 × 40 × 28 mm	Yes	49
9GV0412K3011	—	9GV0412K3011	—	—	40 × 40 × 28 mm	No	49
9GV0648P1H03	—	—	—	9GV0648P1H03	60 × 60 × 38 mm	Yes	87
9GV0648P1H031	—	—	—	9GV0648P1H031	60 × 60 × 38 mm	No	87
9GV0812P1F03	—	—	—	9GV0812P1F03	80 × 80 × 38 mm	Yes	130
9GV0812P1F031	—	—	—	9GV0812P1F031	80 × 80 × 38 mm	No	130
9GV0812P1G03	9GV0812G102	9GV0812G101	—	9GV0812P1G03	80 × 80 × 38 mm	Yes	130
9GV0812P1G031	9GV0812G1021	9GV0812G1011	—	9GV0812P1G031	80 × 80 × 38 mm	No	130
9GV0812P1H03	9GV0812H102	9GV0812H101	—	9GV0812P1H03	80 × 80 × 38 mm	Yes	130
9GV0812P1H031	9GV0812H1021	9GV0812H1011	—	9GV0812P1H031	80 × 80 × 38 mm	No	130
9GV0812P1M03	—	—	—	9GV0812P1M03	80 × 80 × 38 mm	Yes	130
9GV0812P1M031	—	—	—	9GV0812P1M031	80 × 80 × 38 mm	No	130
9GV0824P1G03	9GV0824G102	9GV0824G101	9GV0824G1D01	9GV0824P1G03	80 × 80 × 38 mm	Yes	130
9GV0824P1G031	—	—	—	9GV0824P1G031	80 × 80 × 38 mm	No	130
9GV0848P1G03	9GV0848G102	9GV0848G101	—	9GV0848P1G03	80 × 80 × 38 mm	Yes	130
9GV0848P1G031	—	9GV0848G1011	—	9GV0848P1G031	80 × 80 × 38 mm	No	130
9GV0848P4K03	—	9GV0848K401	—	☞ 9GV0848P4K03	80 × 80 × 25 mm	Yes	106
9GV0848P4K031	—	—	—	☞ 9GV0848P4K031	80 × 80 × 25 mm	No	106
9GV0912P1F03	—	—	—	9GV0912P1F03	92 × 92 × 38 mm	Yes	155
9GV0912P1F031	—	—	—	9GV0912P1F031	92 × 92 × 38 mm	No	155
9GV0912P1G03	9GV0912G102	—	9GV0912G1D01	9GV0912P1G03	92 × 92 × 38 mm	Yes	155
9GV0912P1G031	—	—	—	9GV0912P1G031	92 × 92 × 38 mm	No	155
9GV0912P1H03	9GV0912H102	9GV0912H101	9GV0912H1D01	9GV0912P1H03	92 × 92 × 38 mm	Yes	155
9GV0912P1H031	—	—	—	9GV0912P1H031	92 × 92 × 38 mm	No	155
9GV0948P1F03	—	—	—	9GV0948P1F03	92 × 92 × 38 mm	Yes	155
9GV0948P1F031	—	—	—	9GV0948P1F031	92 × 92 × 38 mm	No	155
9GV0948P1H03	9GV0948H102	9GV0948H101	—	9GV0948P1H03	92 × 92 × 38 mm	Yes	155
9GV0948P1H031	9GV0948H1021	—	—	9GV0948P1H031	92 × 92 × 38 mm	No	155
9GV1212P1G01	—	—	—	9GV1212P1G01	120 × 120 × 38 mm	Yes	177
9GV1212P1G011	—	9GV1212G1011	9GV1212G1D011	9GV1212P1G011	120 × 120 × 38 mm	No	177

For compliance with standards, see individual product pages. Please contact your point of sale regarding low-speed sensors. The ☞ mark indicates Short Lead Time Service applicable models. See p. 626 for details.

Models listed in product pages	List of models (Below are optional models and not listed in product pages. Standard compliance of these optional models may differ from that of the models listed in product pages. Contact us for details of "—" models.)				Frame size	Rib	page
	Without sensor	With pulse sensor	With lock sensor	With PWM control function and pulse sensor			
	9GV1212P1J01	9GV1212J102	9GV1212J101	9GV1212J1D01			
9GV1212P1J011	9GV1212J1021	9GV1212J1011	—	9GV1212P1J011	120 × 120 × 38 mm	No	177
9GV1212P4G01	9GV1212G402	9GV1212G401	—	9GV1212P4G01	120 × 120 × 25 mm	Yes	165
9GV1212P4G011	9GV1212G4021	9GV1212G4011	—	9GV1212P4G011	120 × 120 × 25 mm	No	165
9GV1224P1H01	9GV1224H102	9GV1224H101	9GV1224H1D01	9GV1224P1H01	120 × 120 × 38 mm	Yes	177
9GV1224P1H011	9GV1224H1021	9GV1224H1011	9GV1224H1D011	9GV1224P1H011	120 × 120 × 38 mm	No	177
9GV1224P1J01	9GV1224J102	9GV1224J101	9GV1224J1D01	9GV1224P1J01	120 × 120 × 38 mm	Yes	177
9GV1224P1J011	9GV1224J1021	9GV1224J1011	9GV1224J1D011	9GV1224P1J011	120 × 120 × 38 mm	No	177
9GV1224P4G01	9GV1224G402	9GV1224G401	9GV1224G4D01	9GV1224P4G01	120 × 120 × 25 mm	Yes	165
9GV1224P4G011	9GV1224G4021	—	—	9GV1224P4G011	120 × 120 × 25 mm	No	165
9GV1248P1J01	9GV1248J102	9GV1248J101	9GV1248J1D01	9GV1248P1J01	120 × 120 × 38 mm	Yes	177
9GV1248P1J011	9GV1248J1021	9GV1248J1011	—	9GV1248P1J011	120 × 120 × 38 mm	No	177
9GV1248P4G01	9GV1248G402	9GV1248G4011	—	9GV1248P4G01	120 × 120 × 25 mm	Yes	165
9GV1248P4G011	—	9GV1248G4011	—	9GV1248P4G011	120 × 120 × 25 mm	No	165
9GV1248P4H01	9GV1248H402	9GV1248H401	9GV1248H4D01	9GV1248P4H01	120 × 120 × 25 mm	Yes	165
9GV1248P4H011	—	—	—	9GV1248P4H011	120 × 120 × 25 mm	No	165
9GV1248P4J01	—	—	—	9GV1248P4J01	120 × 120 × 25 mm	Yes	165
9GV1248P4J011	—	—	—	9GV1248P4J011	120 × 120 × 25 mm	No	165
9GV1412P1G001	—	—	—	9GV1412P1G001	140 × 140 × 38 mm	No	190
9GV1412P1H001	9GV1412H1002	—	—	9GV1412P1H001	140 × 140 × 38 mm	No	190
9GV1412P1S001	—	—	—	9GV1412P1S001	140 × 140 × 38 mm	No	190
9GV1424P1G001	—	—	—	9GV1424P1G001	140 × 140 × 38 mm	No	190
9GV1424P1H001	9GV1424H1002	—	9GV1424H1D001	9GV1424P1H001	140 × 140 × 38 mm	No	190
9GV1424P1S001	—	—	—	9GV1424P1S001	140 × 140 × 38 mm	No	190
9GV1448P1G001	—	—	—	9GV1448P1G001	140 × 140 × 38 mm	No	190
9GV1448P1H001	—	—	—	9GV1448P1H001	140 × 140 × 38 mm	No	190
9GV1448P1S001	—	—	—	9GV1448P1S001	140 × 140 × 38 mm	No	190
9GV1512H501	9GV1512H502	9GV1512H501	—	9GV1512P5H03	150 × 150 × 50 mm	Yes	196
9GV1512H5011	9GV1512H5021	9GV1512H5011	—	—	150 × 150 × 50 mm	No	196
9GV1512M501	9GV1512M502	9GV1512M501	—	9GV1512P5M03	150 × 150 × 50 mm	Yes	196
9GV1512M5011	9GV1512M5021	9GV1512M5011	—	9GV1512P5M011	150 × 150 × 50 mm	No	196
9GV1524M501	9GV1524M502	9GV1524M501	9GV1524M5D01	—	150 × 150 × 50 mm	Yes	196
9GV1524M5011	—	9GV1524M5011	—	—	150 × 150 × 50 mm	No	196
9GV2048P0G201	9GV2048G0202	—	—	9GV2048P0G201	∅200 × 70 mm	No	214
9GV3612G301	9GV3612G302	9GV3612G301	9GV3612G3D01	9GV3612P3G03	36 × 36 × 28 mm	Yes	16
9GV3612J301	9GV3612J302	9GV3612J301	9GV3612J3D01	9GV3612P3J03	36 × 36 × 28 mm	Yes	16
9GV5724H501	9GV5724H502	9GV5724H501	—	9GV5724P5H03	∅172 × 150 × 51 mm	No	206
9GV5748H501	9GV5748H502	9GV5748H501	—	9GV5748P5H01	∅172 × 150 × 51 mm	No	206
9GX3612P3K001	9GX3612K3002	—	—	9GX3612P3K001	36 × 36 × 28 mm	Yes	14
9HV0412P3K001	—	—	—	9HV0412P3K001	40 × 40 × 28 mm	No	37
9HV0612P1J001	—	—	—	9HV0612P1J001	60 × 60 × 38 mm	Yes	82
9HV0612P1J0011	—	—	—	9HV0612P1J0011	60 × 60 × 38 mm	No	82
9HV0812P1G601	9HV0812G1002	9HV0812G1001	—	9HV0812P1G601	80 × 80 × 38 mm	Yes	123
9HV0812P1G6011	9HV0812G10021	9HV0812G10011	—	9HV0812P1G6011	80 × 80 × 38 mm	No	123
9HV0824P1G003	—	—	9HV0824G1D001	9HV0824P1G003	80 × 80 × 38 mm	Yes	123
9HV0824P1G0011	—	—	—	9HV0824P1G0011	80 × 80 × 38 mm	No	123
9HV0848P1G001	9HV0848G1002	9HV0848G1001	9HV0848G1D001	9HV0848P1G001	80 × 80 × 38 mm	Yes	123
9HV0848P1G0011	9HV0848G10021	9HV0848G10011	—	9HV0848P1G0011	80 × 80 × 38 mm	No	123
9HV0912P1G001	—	—	—	9HV0912P1G001	92 × 92 × 38 mm	Yes	149
9HV0912P1G0011	—	—	—	9HV0912P1G0011	92 × 92 × 38 mm	No	149
9HV0924P1G001	—	—	—	9HV0924P1G001	92 × 92 × 38 mm	Yes	149
9HV0924P1G0011	—	—	—	9HV0924P1G0011	92 × 92 × 38 mm	No	149
9HV0948P1G001	—	—	—	9HV0948P1G001	92 × 92 × 38 mm	Yes	149
9HV0948P1G0011	—	—	—	9HV0948P1G0011	92 × 92 × 38 mm	No	149
9HV1224P1A001	—	—	9HV1224A1D001	9HV1224P1A001	120 × 120 × 38 mm	No	174
9HV1248P1G001	9HV1248G1002	9HV1248G1001	—	9HV1248P1G001	120 × 120 × 38 mm	No	174
9HV1248P1H001	9HV1248H1002	9HV1248H1001	—	9HV1248P1H001	120 × 120 × 38 mm	No	174
9HV3612P3K001	—	—	—	9HV3612P3K001	36 × 36 × 28 mm	Yes	12
9HV5724P5H001	9HV5724H5002	9HV5724H5001	9HV5724H5D001	9HV5724P5H001	∅172 × 150 × 51 mm	No	201
9HV5748P5G001	—	—	—	9HV5748P5G001	∅172 × 150 × 51 mm	No	201
9HVA0812P1G001	—	—	—	9HVA0812P1G001	80 × 80 × 38 mm	Yes	121

For compliance with standards, see individual product pages. Please contact your point of sale regarding low-speed sensors. The ⚡ mark indicates Short Lead Time Service applicable models. See p. 626 for details.

Models listed in product pages	List of models (Below are optional models and not listed in product pages. Standard compliance of these optional models may differ from that of the models listed in product pages. Contact us for details of "-" models.)				Frame size	Rib	page
	Without sensor	With pulse sensor	With lock sensor	With PWM control function and pulse sensor			
	9HVA0812P1G0011	—	—	—			
9HVA0848P1G601	—	—	—	9HVA0848P1G601	80 × 80 × 38 mm	Yes	121
9HVA0848P1G6011	—	—	—	9HVA0848P1G6011	80 × 80 × 38 mm	No	121
9L0412H301	9L0412H302	9L0412H301	9L0412H3D01	—	40 × 40 × 28 mm	No	374
9L0412J301	9L0412J302	9L0412J301	9L0412J3D01	9L0412P3J01	40 × 40 × 28 mm	No	374
9L0412M301	9L0412M302	9L0412M301	9L0412M3D01	—	40 × 40 × 28 mm	No	374
9LG0612P4H001	9LG0612H4002	9LG0612H4001	9LG0612H4D001	➤ 9LG0612P4H001	60 × 60 × 25 mm	No	376
9LG0612P4J001	—	—	9LG0612J4D001	➤ 9LG0612P4J001	60 × 60 × 25 mm	No	376
9LG0612P4M001	—	9LG0624M4001	9LG0612M4D001	➤ 9LG0612P4M001	60 × 60 × 25 mm	No	376
9LG0612P4S001	—	9LG0612S4001	—	➤ 9LG0612P4S001	60 × 60 × 25 mm	No	376
9LG0624P4H001	9LG0624H4002	9LG0624H4001	9LG0624H4D001	➤ 9LG0624P4H001	60 × 60 × 25 mm	No	376
9LG0624P4J001	—	—	—	➤ 9LG0624P4J001	60 × 60 × 25 mm	No	376
9LG0624P4M001	9LG0624M4002	9LG0624M4001	—	➤ 9LG0624P4M001	60 × 60 × 25 mm	No	376
9LG0624P4S001	9LG0624S4002	—	—	➤ 9LG0624P4S001	60 × 60 × 25 mm	No	376
9LG0648P4H001	—	—	—	➤ 9LG0648P4H001	60 × 60 × 25 mm	No	376
9LG0648P4J001	—	—	—	➤ 9LG0648P4J001	60 × 60 × 25 mm	No	376
9LG0648P4M001	—	—	—	➤ 9LG0648P4M001	60 × 60 × 25 mm	No	376
9LG0648P4S001	—	—	—	➤ 9LG0648P4S001	60 × 60 × 25 mm	No	376
9LG0812F4001	➤ 9LG0812F4002	➤ 9LG0812F4001	➤ 9LG0812F4D001	—	80 × 80 × 25 mm	No	385
9LG0812L4001	➤ 9LG0812L4002	➤ 9LG0812L4001	➤ 9LG0812L4D001	—	80 × 80 × 25 mm	No	385
9LG0812M4001	➤ 9LG0812M4002	➤ 9LG0812M4001	➤ 9LG0812M4D001	—	80 × 80 × 25 mm	No	385
9LG0812P4G001	—	9LG0812G4001	9LG0812G4D001	➤ 9LG0812P4G001	80 × 80 × 25 mm	No	385
9LG0812P4H001	➤ 9LG0812H4002	➤ 9LG0812H4001	➤ 9LG0812H4D001	➤ 9LG0812P4H001	80 × 80 × 25 mm	No	385
9LG0812P4J001	9LG0812J4002	—	9LG0812J4D001	➤ 9LG0812P4J001	80 × 80 × 25 mm	No	385
9LG0812S4001	➤ 9LG0812S4002	➤ 9LG0812S4001	➤ 9LG0812S4D001	—	80 × 80 × 25 mm	No	385
9LG0824F4001	➤ 9LG0824F4002	➤ 9LG0824F4001	➤ 9LG0824F4D001	—	80 × 80 × 25 mm	No	385
9LG0824L4001	➤ 9LG0824L4002	➤ 9LG0824L4001	➤ 9LG0824L4D001	—	80 × 80 × 25 mm	No	385
9LG0824M4001	➤ 9LG0824M4002	➤ 9LG0824M4001	➤ 9LG0824M4D001	—	80 × 80 × 25 mm	No	385
9LG0824P4G001	9LG0824G4002	—	9LG0824G4D001	➤ 9LG0824P4G001	80 × 80 × 25 mm	No	385
9LG0824P4H001	➤ 9LG0824H4002	➤ 9LG0824H4001	➤ 9LG0824H4D001	➤ 9LG0824P4H001	80 × 80 × 25 mm	No	385
9LG0824P4J001	—	—	9LG0824J4D001	➤ 9LG0824P4J001	80 × 80 × 25 mm	No	385
9LG0824S4001	➤ 9LG0824S4002	➤ 9LG0824S4001	➤ 9LG0824S4D001	—	80 × 80 × 25 mm	No	385
9LG0912F4001	➤ 9LG0912F4002	➤ 9LG0912F4001	➤ 9LG0912F4D001	—	92 × 92 × 25 mm	No	392
9LG0912L4001	➤ 9LG0912L4002	➤ 9LG0912L4001	➤ 9LG0912L4D001	—	92 × 92 × 25 mm	No	392
9LG0912M4001	➤ 9LG0912M4002	➤ 9LG0912M4001	➤ 9LG0912M4D001	—	92 × 92 × 25 mm	No	392
9LG0912P1F001	—	—	—	➤ 9LG0912P1F001	92 × 92 × 38 mm	No	397
9LG0912P1H001	—	—	9LG0912H1D001	➤ 9LG0912P1H001	92 × 92 × 38 mm	No	397
9LG0912P4G001	9LG0912G4002	—	—	➤ 9LG0912P4G001	92 × 92 × 25 mm	No	392
9LG0912P4H001	➤ 9LG0912H4002	➤ 9LG0912H4001	➤ 9LG0912H4D001	➤ 9LG0912P4H001	92 × 92 × 25 mm	No	392
9LG0912P4J001	—	—	—	➤ 9LG0912P4J001	92 × 92 × 25 mm	No	392
9LG0912P4S001	➤ 9LG0912S4002	➤ 9LG0912S4001	➤ 9LG0912S4D001	➤ 9LG0912P4S001	92 × 92 × 25 mm	No	392
9LG0924F4001	➤ 9LG0924F4002	➤ 9LG0924F4001	➤ 9LG0924F4D001	—	92 × 92 × 25 mm	No	392
9LG0924L4001	➤ 9LG0924L4002	➤ 9LG0924L4001	➤ 9LG0924L4D001	—	92 × 92 × 25 mm	No	392
9LG0924M4001	➤ 9LG0924M4002	➤ 9LG0924M4001	➤ 9LG0924M4D001	—	92 × 92 × 25 mm	No	392
9LG0924P1F001	—	—	—	➤ 9LG0924P1F001	92 × 92 × 38 mm	No	397
9LG0924P1H001	—	—	—	➤ 9LG0924P1H001	92 × 92 × 38 mm	No	397
9LG0924P4G001	—	—	—	➤ 9LG0924P4G001	92 × 92 × 25 mm	No	392
9LG0924P4H001	➤ 9LG0924H4002	➤ 9LG0924H4001	➤ 9LG0924H4D001	➤ 9LG0924P4H001	92 × 92 × 25 mm	No	392
9LG0924P4J001	—	—	9LG0924J4D001	➤ 9LG0924P4J001	92 × 92 × 25 mm	No	392
9LG0924P4S001	—	—	9LG0924S4D001	➤ 9LG0924P4S001	92 × 92 × 25 mm	No	392
9LG1212F1001	➤ 9LG1212F1002	➤ 9LG1212F1001	➤ 9LG1212F1D001	—	120 × 120 × 38 mm	No	400
9LG1212M1001	➤ 9LG1212M1002	➤ 9LG1212M1001	➤ 9LG1212M1D001	—	120 × 120 × 38 mm	No	400
9LG1212P1G001	—	—	—	➤ 9LG1212P1G001	120 × 120 × 38 mm	No	400
9LG1212P1H001	—	—	9LG1212H1D001	9LG1212P1H001	120 × 120 × 38 mm	No	400
9LG1212P1S001	—	—	—	9LG1212P1S001	120 × 120 × 38 mm	No	400
9LG1224A1001	➤ 9LG1224A1002	➤ 9LG1224A1001	➤ 9LG1224A1D001	—	120 × 120 × 38 mm	No	400
9LG1224F1001	➤ 9LG1224F1002	➤ 9LG1224F1001	➤ 9LG1224F1D001	—	120 × 120 × 38 mm	No	400
9LG1224M1001	➤ 9LG1224M1002	➤ 9LG1224M1001	➤ 9LG1224M1D001	—	120 × 120 × 38 mm	No	400
9LG1224P1G001	—	—	9LG1224G1D001	➤ 9LG1224P1G001	120 × 120 × 38 mm	No	400
9LG1224P1H001	—	9LG1224H1001	9LG1224H1D001	9LG1224P1H001	120 × 120 × 38 mm	No	400
9LG1224P1S001	—	9LG1224S1001	9LG1224S1D001	9LG1224P1S001	120 × 120 × 38 mm	No	400


For compliance with standards, see individual product pages. Please contact your point of sale regarding low-speed sensors.  
The ➤ mark indicates Short Lead Time Service applicable models. See p. 626 for details.



Models listed in product pages	List of models (Below are optional models and not listed in product pages. Standard compliance of these optional models may differ from that of the models listed in product pages. Contact us for details of "—" models.)				Frame size	Rib	page
	Without sensor	With pulse sensor	With lock sensor	With PWM control function and pulse sensor			
	9LG1248F1001	9LG1248F1002	9LG1248F1001	9LG1248F1D001			
9LG1248M1001	9LG1248M1002	9LG1248M1001	9LG1248M1D001	—	120 × 120 × 38 mm	No	400
9LG1248P1G001	9LG1248G1002	—	—	9LG1248P1G001	120 × 120 × 38 mm	No	400
9LG1248P1H001	—	—	—	9LG1248P1H001	120 × 120 × 38 mm	No	400
9LG1248P1S001	—	—	—	9LG1248P1S001	120 × 120 × 38 mm	No	400
9LG1412A5001	9LG1412A5002	9LG1412A5001	9LG1412A5D001	—	140 × 140 × 51 mm	No	413
9LG1412H5001	9LG1412H5002	9LG1412H5001	9LG1412H5D001	—	140 × 140 × 51 mm	No	413
9LG1412L1001	9LG1412L1002	9LG1412L1001	—	—	140 × 140 × 38 mm	No	408
9LG1412M5001	9LG1412M5002	9LG1412M5001	9LG1412M5D001	—	140 × 140 × 51 mm	No	413
9LG1412P1A001	—	—	—	9LG1412P1A001	140 × 140 × 38 mm	No	408
9LG1412P1H001	—	—	—	9LG1412P1H001	140 × 140 × 38 mm	No	408
9LG1412P1M001	9LG1412M1002	9LG1412M1001	9LG1412M1D001	9LG1412P1M001	140 × 140 × 38 mm	No	408
9LG1412P5G001	—	—	—	9LG1412P5G001	140 × 140 × 51 mm	No	413
9LG1412P5S001	9LG1412S5001	—	—	9LG1412P5S001	140 × 140 × 51 mm	No	413
9LG1424A5001	9LG1424A5002	9LG1424A5001	9LG1424A5D001	—	140 × 140 × 51 mm	No	413
9LG1424H5001	9LG1424H5002	9LG1424H5001	9LG1424H5D001	—	140 × 140 × 51 mm	No	413
9LG1424L1001	9LG1424L1002	9LG1424L1001	9LG1424L1D001	—	140 × 140 × 38 mm	No	408
9LG1424M5001	9LG1424M5002	9LG1424M5001	9LG1424M5D001	—	140 × 140 × 51 mm	No	413
9LG1424P1A001	—	—	—	9LG1424P1A001	140 × 140 × 38 mm	No	408
9LG1424P1H001	—	—	—	9LG1424P1H001	140 × 140 × 38 mm	No	408
9LG1424P1M001	9LG1424M1002	9LG1424M1001	9LG1424M1D001	9LG1424P1M001	140 × 140 × 38 mm	No	408
9LG1424P5G001	—	—	—	9LG1424P5G001	140 × 140 × 51 mm	No	413
9LG1424P5S001	9LG1424S5002	9LG1424S5001	9LG1424S5D001	9LG1424P5S001	140 × 140 × 51 mm	No	413
9LG1448A5001	9LG1448A5002	9LG1448A5001	9LG1448A5D001	—	140 × 140 × 51 mm	No	413
9LG1448H5001	9LG1448H5002	9LG1448H5001	9LG1448H5D001	—	140 × 140 × 51 mm	No	413
9LG1448L1001	9LG1448L1002	9LG1448L1001	9LG1448L1D001	—	140 × 140 × 38 mm	No	408
9LG1448M5001	9LG1448M5002	9LG1448M5001	9LG1448M5D001	—	140 × 140 × 51 mm	No	413
9LG1448P1A001	—	—	—	9LG1448P1A001	140 × 140 × 38 mm	No	408
9LG1448P1H001	—	—	—	9LG1448P1H001	140 × 140 × 38 mm	No	408
9LG1448P1M001	9LG1448M1002	9LG1448M1001	9LG1448M1D001	9LG1448P1M001	140 × 140 × 38 mm	No	408
9LG1448P5G001	—	—	—	9LG1448P5G001	140 × 140 × 51 mm	No	413
9LG1448P5S001	—	—	—	9LG1448P5S001	140 × 140 × 51 mm	No	413
9RF0912P1H001	—	—	—	9RF0912P1H001	∅92 × 38 mm	No	258
9RF0924P1H001	—	—	—	9RF0924P1H001	∅92 × 38 mm	No	258
9RF1312P3H001	—	—	—	9RF1312P3H001	∅136 × 28 mm	No	260
9RF1324P3H001	—	—	—	9RF1324P3H001	∅136 × 28 mm	No	260
9S0612F401	9S0612F402	9S0612F401	9S0612F4D01	9S0612P4F01	60 × 60 × 25 mm	Yes	77
9S0612F4011	9S0612F4021	9S0612F4011	9S0612F4D011	9S0612P4F011	60 × 60 × 25 mm	No	77
9S0612H401	9S0612H402	9S0612H401	9S0612H4D01	9S0612P4H01	60 × 60 × 25 mm	Yes	77
9S0612H4011	9S0612H4021	9S0612H4011	9S0612H4D011	9S0612P4H011	60 × 60 × 25 mm	No	77
9S0612M401	9S0612M402	9S0612M401	9S0612M4D01	9S0612P4M01	60 × 60 × 25 mm	Yes	77
9S0612M4011	9S0612M4021	9S0612M4011	9S0612M4D011	—	60 × 60 × 25 mm	No	77
9S0612S401	9S0612S402	9S0612S401	9S0612S4D01	9S0612P4S01	60 × 60 × 25 mm	Yes	77
9S0612S4011	—	9S0612S4011	—	9S0612P4S011	60 × 60 × 25 mm	No	77
9S0812F401	9S0812F402	9S0812F401	9S0812F4D01	9S0812P4F01	80 × 80 × 25 mm	Yes	112
9S0812F4011	9S0812F4021	9S0812F4011	9S0812F4D011	9S0812P4F011	80 × 80 × 25 mm	No	112
9S0812H401	9S0812H402	9S0812H401	9S0812H4D01	—	80 × 80 × 25 mm	Yes	112
9S0812H4011	—	9S0812H4011	9S0812H4D011	—	80 × 80 × 25 mm	No	112
9S0812L401	9S0812L402	9S0812L401	9S0812L4D01	—	80 × 80 × 25 mm	Yes	112
9S0812L4011	9S0812L4021	9S0812L4011	9S0812L4D011	—	80 × 80 × 25 mm	No	112
9S0812M401	9S0812M402	9S0812M401	9S0812M4D01	9S0812P4M01	80 × 80 × 25 mm	Yes	112
9S0812M4011	9S0812M4021	9S0812M4011	9S0812M4D011	9S0812P4M011	80 × 80 × 25 mm	No	112
9S0824L401	9S0824L402	9S0824L401	9S0824L4D01	—	80 × 80 × 25 mm	Yes	112
9S0824L4011	9S0824L4021	9S0824L4011	9S0824L4D011	—	80 × 80 × 25 mm	No	112
9S0824M401	9S0824M402	9S0824M401	9S0824M4D01	—	80 × 80 × 25 mm	Yes	112
9S0824M4011	9S0824M4021	9S0824M4011	9S0824M4D011	—	80 × 80 × 25 mm	No	112
9S0912F401	9S0912F402	9S0912F401	9S0912F4D01	9S0912P4F01	92 × 92 × 25 mm	Yes	141
9S0912F4011	9S0912F4021	9S0912F4011	9S0912F4D011	9S0912P4F011	92 × 92 × 25 mm	No	141
9S0912L401	9S0912L402	9S0912L401	9S0912L4D01	—	92 × 92 × 25 mm	Yes	141
9S0912L4011	9S0912L4021	9S0912L4011	9S0912L4D011	—	92 × 92 × 25 mm	No	141
9S0912M401	9S0912M402	9S0912M401	9S0912M4D01	9S0912P4M01	92 × 92 × 25 mm	Yes	141

For compliance with standards, see individual product pages. Please contact your point of sale regarding low-speed sensors. The ⚡ mark indicates Short Lead Time Service applicable models. See p. 626 for details.


Models listed in product pages	List of models (Below are optional models and not listed in product pages. Standard compliance of these optional models may differ from that of the models listed in product pages. Contact us for details of "—" models.)				Frame size	Rib	page
	Without sensor	With pulse sensor	With lock sensor	With PWM control function and pulse sensor			
	9S0912M4011	9S0912M4021	9S0912M4011	9S0912M4D011			
9S0924F401	9S0924F402	9S0924F401	9S0924F4D01	—	92 × 92 × 25 mm	Yes	141
9S0924F4011	9S0924F4021	9S0924F4011	—	—	92 × 92 × 25 mm	No	141
9S0924L401	9S0924L402	9S0924L401	9S0924L4D01	—	92 × 92 × 25 mm	Yes	141
9S0924L4011	9S0924L4021	9S0924L4011	—	—	92 × 92 × 25 mm	No	141
9S0924M401	9S0924M402	9S0924M401	9S0924M4D01	—	92 × 92 × 25 mm	Yes	141
9S0924M4011	9S0924M4021	9S0924M4011	—	—	92 × 92 × 25 mm	No	141
9S1212F401	9S1212F402	9S1212F401	9S1212F4D01	9S1212P4F01	120 × 120 × 25 mm	Yes	172
9S1212F4011	9S1212F4021	9S1212F4011	9S1212F4D011	9S1212P4F011	120 × 120 × 25 mm	No	172
9S1212H401	9S1212H402	9S1212H401	9S1212H4D01	9S1212P4H01	120 × 120 × 25 mm	Yes	172
9S1212H4011	9S1212H4021	9S1212H4011	—	9S1212P4H011	120 × 120 × 25 mm	No	172
9S1212L401	9S1212L402	9S1212L401	9S1212L4D01	—	120 × 120 × 25 mm	Yes	172
9S1212L4011	9S1212L4021	9S1212L4011	9S1212L4D011	9S1212P4L011	120 × 120 × 25 mm	No	172
9S1212M401	9S1212M402	9S1212M401	9S1212M4D01	9S1212P4M01	120 × 120 × 25 mm	Yes	172
9S1212M4011	9S1212M4021	9S1212M4011	9S1212M4D011	9S1212P4M011	120 × 120 × 25 mm	No	172
9S1224M401	9S1224M402	9S1224M401	9S1224M4D01	—	120 × 120 × 25 mm	Yes	172
9S1224M4011	9S1224M4021	9S1224M4011	9S1224M4D011	—	120 × 120 × 25 mm	No	172
9SG1212G101	9SG1212G102	9SG1212G101	9SG1212G1D01	9SG1212P1G01	120 × 120 × 38 mm	No	180
9SG1224G101	9SG1224G102	9SG1224G101	9SG1224G1D01	9SG1224P1G01	120 × 120 × 38 mm	No	180
9SG1224H101	9SG1224H102	9SG1224H101	9SG1224H1D01	—	120 × 120 × 38 mm	No	180
9SG1248G101	9SG1248G102	9SG1248G101	—	9SG1248P1G01	120 × 120 × 38 mm	No	180
9SG5724P5H61	9SG5724H562	—	—	9SG5724P5H61	∅172 × 150 × 51 mm	No	203
9SG5748P5G01	—	—	—	9SG5748P5G01	∅172 × 150 × 51 mm	No	203
9SG5748P5H01	—	—	—	9SG5748P5H01	∅172 × 150 × 51 mm	No	203
9TG24P0G01	9TG24G002	9TG24G001	—	9TG24P0G01	∅175 × 69 mm	—	454
9TG24P0S01	9TG24S002	9TG24S001	—	9TG24P0S01	∅175 × 69 mm	—	454
9TG48P0G01	—	—	—	9TG48P0G01	∅175 × 69 mm	—	454
9TGA24P0H001	—	—	—	9TGA24P0H001	∅175 × 69 mm	—	451
9TGA48P0G001	—	—	—	9TGA48P0G001	∅175 × 69 mm	—	451
9TJ24P0H61	—	—	—	9TJ24P0H61	∅133 × 91 mm	—	447
9TJ48P0H01	—	—	—	9TJ48P0H01	∅133 × 91 mm	—	447
9TM24P4H01	—	—	—	9TM24P4H01	∅100 × 25 mm	—	444
9TM48P4H01	9TM48H402	—	—	9TM48P4H01	∅100 × 25 mm	—	444
9TN24P1H01	—	—	—	9TN24P1H01	∅150 × 35 mm	—	449
9TN48P1H01	—	—	—	9TN48P1H01	∅150 × 35 mm	—	449
9TP24P0H001	—	—	—	9TP24P0H001	∅221 × 71 mm	—	457
9TP48P0G001	9TP48G0002	—	—	9TP48P0G001	∅221 × 71 mm	—	457
9TP48P0H001	—	—	—	9TP48P0H001	∅221 × 71 mm	—	457
9TS48P0G001	—	—	—	9TS48P0G001	∅225 × 99 mm	—	460
9TS48P0H001	—	—	—	9TS48P0H001	∅225 × 99 mm	—	460
9W1BM12P2H001	—	—	—	9W1BM12P2H001	97 × 33 mm	—	342
9W1BM12P2M001	—	—	—	9W1BM12P2M001	97 × 33 mm	—	342
9W1BM24P2H001	—	—	—	9W1BM24P2H001	97 × 33 mm	—	342
9W1BM24P2M001	—	—	—	9W1BM24P2M001	97 × 33 mm	—	342
9W1TG48P0H61	—	—	—	9W1TG48P0H61	∅175 × 69 mm	—	334
9W1TJ24P0H61	—	—	—	9W1TJ24P0H61	∅133 × 91 mm	—	325
9W1TJ48P0H61	—	—	—	9W1TJ48P0H61	∅133 × 91 mm	—	325
9W1TM48P4G01	—	—	—	9W1TM48P4G01	∅100 × 25 mm	—	322
9W1TM48P4H01	—	—	—	9W1TM48P4H01	∅100 × 25 mm	—	322
9W1TN48P1H01	—	—	—	9W1TN48P1H01	∅150 × 35 mm	—	330
9W2TGA48P0G001	—	—	—	9W2TGA48P0G001	∅175 × 69 mm	—	332
9W2TN24P1H001	—	—	—	9W2TN24P1H001	∅150 × 35 mm	—	327
9W2TN48P1H001	—	—	—	9W2TN48P1H001	∅150 × 35 mm	—	327
9W2TP24P0H001	—	—	—	9W2TP24P0H001	∅221 × 71 mm	—	336
9W2TP48P0S001	—	—	—	9W2TP48P0S001	∅221 × 71 mm	—	336
9W2TS48P0S001	—	—	—	9W2TS48P0S001	∅225 × 99 mm	—	339
9WE1724K501	9WE1724K502	9WE1724K501	—	—	∅172 × 51 mm	No	318
9WE5724K501	9WE5724K502	9WE5724K501	—	—	∅172 × 150 × 51 mm	No	316
9WE5748K501	9WE5748K502	9WE5748K501	9WE5748K5D01	9WE5748P5K01	∅172 × 150 × 51 mm	No	316
9WF0424F601	9WF0424F602	9WF0424F601	9WF0424F6D01	—	40 × 40 × 20 mm	Yes	350
9WF0424H601	9WF0424H602	9WF0424H601	9WF0424H6D01	—	40 × 40 × 20 mm	Yes	350

For compliance with standards, see individual product pages. Please contact your point of sale regarding low-speed sensors. The  mark indicates Short Lead Time Service applicable models. See p. 626 for details.


Models listed in product pages	List of models (Below are optional models and not listed in product pages. Standard compliance of these optional models may differ from that of the models listed in product pages. Contact us for details of "—" models.)				Frame size	Rib	page
	Without sensor	With pulse sensor	With lock sensor	With PWM control function and pulse sensor			
	9WF0424H701	9WF0424H702	9WF0424H701	9WF0424H7D01			
9WF0624H401	9WF0624H402	9WF0624H401	9WF0624H4D01	—	60 × 60 × 25 mm	Yes	358
9WF0624H601	—	9WF0624H601	9WF0624H6D01	—	60 × 60 × 20 mm	Yes	356
9WF0624H701	9WF0624H702	9WF0624H701	9WF0624H7D01	—	60 × 60 × 15 mm	Yes	352
9WF0824S401	9WF0824S402	9WF0824S401	9WF0824S4D01	—	80 × 80 × 25 mm	Yes	362
9WF0924H201	9WF0924H202	9WF0924H201	9WF0924H2D01	—	92 × 92 × 32 mm	Yes	368
9WF0924H2011	—	9WF0924H2011	—	—	92 × 92 × 32 mm	No	368
9WF0924H401	9WF0924H402	9WF0924H401	9WF0924H4D01	—	92 × 92 × 25 mm	Yes	364
9WF0924H4011	—	9WF0924H4011	9WF0924H4D011	—	92 × 92 × 25 mm	No	364
9WF0924S201	9WF0924S202	9WF0924S201	9WF0924S2D01	—	92 × 92 × 32 mm	Yes	368
9WF0924S2011	—	9WF0924S2011	—	—	92 × 92 × 32 mm	No	368
9WF1224H101	9WF1224H102	9WF1224H101	9WF1224H1D01	—	120 × 120 × 38 mm	Yes	370
9WFA0424G6001	9WFA0424G6002	9WFA0424G6001	9WFA0424G6D001	9WFA0624P6G001	40 × 40 × 20 mm	Yes	348
9WFA0624G6001	9WFA0624G6002	9WFA0624G6001	9WFA0624G6D001	—	60 × 60 × 20 mm	Yes	354
9WFA0824G6001	9WFA0824G6002	9WFA0824G6001	9WFA0824G6D001	9WFA0824P6G001	80 × 80 × 20 mm	Yes	360
9WFA0924G2001	9WFA0924G2002	9WFA0924G2001	9WFA0924G2D001	9WFA0924P2G001	92 × 92 × 32 mm	Yes	366
9WG1212E101-E	9WG1212E102-E	9WG1212E101-E	9WG1212E1D01-E	—	120 × 120 × 38 mm	No	298
9WG1212F101-E	9WG1212F102-E	9WG1212F101-E	9WG1212F1D01-E	—	120 × 120 × 38 mm	No	298
9WG1212G101-E	9WG1212G102-E	9WG1212G101-E	9WG1212G1D01-E	—	120 × 120 × 38 mm	No	298
9WG1212H101-E	9WG1212H102-E	9WG1212H101-E	9WG1212H1D01-E	—	120 × 120 × 38 mm	No	298
9WG1212M101-E	9WG1212M102-E	9WG1212M101-E	9WG1212M1D01-E	—	120 × 120 × 38 mm	No	298
9WG1224E101-E	9WG1224E102-E	9WG1224E101-E	9WG1224E1D01-E	—	120 × 120 × 38 mm	No	298
9WG1224F101-E	9WG1224F102-E	9WG1224F101-E	9WG1224F1D01-E	—	120 × 120 × 38 mm	No	298
9WG1224G101-E	9WG1224G102-E	9WG1224G101-E	9WG1224G1D01-E	—	120 × 120 × 38 mm	No	298
9WG1224H101-E	9WG1224H102-E	9WG1224H101-E	9WG1224H1D01-E	—	120 × 120 × 38 mm	No	298
9WG1224M101-E	9WG1224M102-E	9WG1224M101-E	9WG1224M1D01-E	—	120 × 120 × 38 mm	No	298
9WG1248E101-E	9WG1248E102-E	9WG1248E101-E	9WG1248E1D01-E	—	120 × 120 × 38 mm	No	298
9WG1248F101-E	9WG1248F102-E	9WG1248F101-E	9WG1248F1D01-E	—	120 × 120 × 38 mm	No	298
9WG1248G101-E	9WG1248G102-E	9WG1248G101-E	9WG1248G1D01-E	—	120 × 120 × 38 mm	No	298
9WG1248H101-E	9WG1248H102-E	9WG1248H101-E	9WG1248H1D01-E	—	120 × 120 × 38 mm	No	298
9WG1248M101-E	9WG1248M102-E	9WG1248M101-E	9WG1248M1D01-E	—	120 × 120 × 38 mm	No	298
9WG5748P5G001	9WG5748G5002	—	—	9WG5748P5G001	φ172 × 150 × 51 mm	No	314
9WG5748P5H001	9WG5748H5002	9WG5748H5001	9WG5748H5D001	9WG5748P5H001	φ172 × 150 × 51 mm	No	314
9WL0412P3G001	9WL0412G3002	9WL0412G3001	9WL0412G3D001	9WL0412P3G001	40 × 40 × 28 mm	No	266
9WL0412P3J001	9WL0412J3002	9WL0412J3001	—	9WL0412P3J001	40 × 40 × 28 mm	No	266
9WL0424P3G001	9WL0424G3002	9WL0424G3001	—	9WL0424P3G001	40 × 40 × 28 mm	No	266
9WL0424P3J001	9WL0424J3002	9WL0424J3001	—	9WL0424P3J001	40 × 40 × 28 mm	No	266
9WL0612P4H001	9WL0612H4002	—	—	9WL0612P4H001	60 × 60 × 25 mm	No	269
9WL0612P4J001	9WL0612J4002	—	9WL0612J4D001	9WL0612P4J001	60 × 60 × 25 mm	No	269
9WL0612P4S001	9WL0612S4002	—	9WL0612S4D001	9WL0612P4S001	60 × 60 × 25 mm	No	269
9WL0624P4H001	—	9WL0624H4001	—	9WL0624P4H001	60 × 60 × 25 mm	No	269
9WL0624P4J001	—	—	—	9WL0624P4J001	60 × 60 × 25 mm	No	269
9WL0624P4S001	9WL0624S4002	9WL0624S4001	—	9WL0624P4S001	60 × 60 × 25 mm	No	269
9WL0812L4001	9WL0812L4002	9WL0812L4001	—	—	80 × 80 × 25 mm	No	275
9WL0812P4G001	—	—	9WL0812G4D001	9WL0812P4G001	80 × 80 × 25 mm	No	275
9WL0812P4H001	9WL0812H4002	9WL0812H4001	9WL0812H4D001	9WL0812P4H001	80 × 80 × 25 mm	No	275
9WL0812P4J001	—	—	—	9WL0812P4J001	80 × 80 × 25 mm	No	275
9WL0824F4001	9WL0824F4002	9WL0824F4001	—	—	80 × 80 × 25 mm	No	275
9WL0824P4G001	—	—	—	9WL0824P4G001	80 × 80 × 25 mm	No	275
9WL0824P4H001	9WL0824H4002	9WL0824H4001	9WL0824H4D001	9WL0824P4H001	80 × 80 × 25 mm	No	275
9WL0824P4J001	9WL0824J4002	—	—	9WL0824P4J001	80 × 80 × 25 mm	No	275
9WL0912M4001	9WL0912M4002	9WL0912M4001	—	—	92 × 92 × 25 mm	No	283
9WL0912P1F001	—	—	—	9WL0912P1F001	92 × 92 × 38 mm	No	290
9WL0912P1H001	—	—	—	9WL0912P1H001	92 × 92 × 38 mm	No	290
9WL0912P4G001	—	—	—	9WL0912P4G001	92 × 92 × 25 mm	No	283
9WL0912P4H001	9WL0912H4002	9WL0912H4001	9WL0912H4D001	9WL0912P4H001	92 × 92 × 25 mm	No	283
9WL0912P4J001	9WL0912J4002	—	—	9WL0912P4J001	92 × 92 × 25 mm	No	283
9WL0912P4S001	—	—	—	9WL0912P4S001	92 × 92 × 25 mm	No	283
9WL0924F4001	9WL0924F4002	9WL0924F4001	—	—	92 × 92 × 25 mm	No	283
9WL0924M4001	9WL0924M4002	9WL0924M4001	9WL0924M4D001	—	92 × 92 × 25 mm	No	283
9WL0924P1F001	—	—	—	9WL0924P1F001	92 × 92 × 38 mm	No	290

For compliance with standards, see individual product pages. Please contact your point of sale regarding low-speed sensors. The ⚡ mark indicates Short Lead Time Service applicable models. See p. 626 for details.

Models listed in product pages	List of models (Below are optional models and not listed in product pages. Standard compliance of these optional models may differ from that of the models listed in product pages. Contact us for details of "—" models.)				Frame size	Rib	page
	Without sensor	With pulse sensor	With lock sensor	With PWM control function and pulse sensor			
	9WL0924P1H001	—	—	—			
9WL0924P4H001	9WL0924H4002	9WL0924H4001	9WL0924H4D001	9WL0924P4H001	92 × 92 × 25 mm	No	283
9WL0924P4J001	—	—	—	9WL0924P4J001	92 × 92 × 25 mm	No	283
9WL0924P4S001	—	—	—	9WL0924P4S001	92 × 92 × 25 mm	No	283
9WL0948P1F601	—	—	—	9WL0948P1F601	92 × 92 × 38 mm	No	290
9WL0948P1H601	—	—	—	9WL0948P1H601	92 × 92 × 38 mm	No	290
9WL1412P1A001	—	—	—	9WL1412P1A001	140 × 140 × 38 mm	No	304
9WL1412P1H001	—	—	—	9WL1412P1H001	140 × 140 × 38 mm	No	304
9WL1412P1M001	9WL1412M1002	9WL1412M1001	9WL1412M1D001	9WL1412P1M001	140 × 140 × 38 mm	No	304
9WL1412A5001	9WL1412A5002	9WL1412A5001	9WL1412A5D001	—	140 × 140 × 51 mm	No	309
9WL1412H5001	9WL1412H5002	9WL1412H5001	9WL1412H5D001	—	140 × 140 × 51 mm	No	309
9WL1412M5001	9WL1412M5002	9WL1412M5001	9WL1412M5D001	—	140 × 140 × 51 mm	No	309
9WL1412P5G001	—	—	9WL1412G5D001	9WL1412P5G001	140 × 140 × 51 mm	No	309
9WL1412P5S001	—	—	—	9WL1412P5S001	140 × 140 × 51 mm	No	309
9WL1424P1A001	—	—	—	9WL1424P1A001	140 × 140 × 38 mm	No	304
9WL1424P1H001	—	—	—	9WL1424P1H001	140 × 140 × 38 mm	No	304
9WL1424P1M001	9WL1424M1002	9WL1424M1001	9WL1424M1D001	9WL1424P1M001	140 × 140 × 38 mm	No	304
9WL1424A5001	9WL1424A5002	9WL1424A5001	9WL1424A5D001	—	140 × 140 × 51 mm	No	309
9WL1424H5001	9WL1424H5002	9WL1424H5001	9WL1424H5D001	—	140 × 140 × 51 mm	No	309
9WL1424M5001	9WL1424M5002	9WL1424M5001	9WL1424M5D001	—	140 × 140 × 51 mm	No	309
9WL1424P5G001	—	9WL1424G5001	—	9WL1424P5G001	140 × 140 × 51 mm	No	309
9WL1424P5S001	—	—	—	9WL1424P5S001	140 × 140 × 51 mm	No	309
9WL1448A5001	9WL1448A5002	9WL1448A5001	9WL1448A5D001	—	140 × 140 × 51 mm	No	309
9WL1448H5001	9WL1448H5002	9WL1448H5001	9WL1448H5D001	—	140 × 140 × 51 mm	No	309
9WL1448L1001	9WL1448L1002	9WL1448L1001	—	—	140 × 140 × 38 mm	No	304
9WL1448M5001	9WL1448M5002	9WL1448M5001	9WL1448M5D001	—	140 × 140 × 51 mm	No	309
9WL1448P1A001	—	—	—	9WL1448P1A001	140 × 140 × 38 mm	No	304
9WL1448P1H001	—	—	—	9WL1448P1H001	140 × 140 × 38 mm	No	304
9WL1448P1M001	9WL1448M1002	9WL1448M1001	9WL1448M1D001	9WL1448P1M001	140 × 140 × 38 mm	No	304
9WL1448P5G001	—	—	—	9WL1448P5G001	140 × 140 × 51 mm	No	309
9WL1448P5S001	—	—	—	9WL1448P5S001	140 × 140 × 51 mm	No	309
9WP0412F6001	9WP0412F6002	9WP0412F6001	9WP0412F6D001	—	40 × 40 × 20 mm	Yes	264
9WP0412H6001	9WP0412H6002	9WP0412H6001	—	—	40 × 40 × 20 mm	Yes	264
9WP0612D401	9WP0612D402	9WP0612D401	9WP0612D4D01	—	60 × 60 × 25 mm	Yes	272
9WP0612D4011	—	9WP0612D4011	9WP0612D4D011	—	60 × 60 × 25 mm	No	272
9WP0612G401	9WP0612G402	9WP0612G401	9WP0612G4D01	9WP0612P4G01	60 × 60 × 25 mm	Yes	272
9WP0612G4011	9WP0612G4021	9WP0612G4011	—	—	60 × 60 × 25 mm	No	272
9WP0612H401	9WP0612H402	9WP0612H401	9WP0612H4D01	—	60 × 60 × 25 mm	Yes	272
9WP0612H4011	9WP0612H4021	9WP0612H4011	9WP0612H4D011	—	60 × 60 × 25 mm	No	272
9WP0624G401	9WP0624G402	9WP0624G401	9WP0624G4D01	—	60 × 60 × 25 mm	Yes	272
9WP0624G4011	—	9WP0624G4011	—	—	60 × 60 × 25 mm	No	272
9WP0624H401	9WP0624H402	9WP0624H401	9WP0624H4D01	—	60 × 60 × 25 mm	Yes	272
9WP0624H4011	9WP0624H4021	9WP0624H4011	9WP0624H4D011	—	60 × 60 × 25 mm	No	272
9WP0624J401	9WP0624J402	9WP0624J401	—	—	60 × 60 × 25 mm	Yes	272
9WP0624J4011	—	9WP0624J4011	—	—	60 × 60 × 25 mm	No	272
9WP0648H401	9WP0648H402	9WP0648H401	9WP0648H4D01	—	60 × 60 × 25 mm	Yes	272
9WP0648H4011	9WP0648H4021	9WP0648H4011	9WP0648H4D011	—	60 × 60 × 25 mm	No	272
9WP0812G401	9WP0812G402	9WP0812G401	9WP0812G4D01	9WP0812P4G01	80 × 80 × 25 mm	Yes	279
9WP0812G4011	9WP0812G4021	9WP0812G4011	9WP0812G4D011	—	80 × 80 × 25 mm	No	279
9WP0812H401	9WP0812H402	9WP0812H401	9WP0812H4D01	—	80 × 80 × 25 mm	Yes	279
9WP0812H4011	9WP0812H4021	9WP0812H4011	9WP0812H4D011	—	80 × 80 × 25 mm	No	279
9WP0824H401	9WP0824H402	9WP0824H401	9WP0824H4D01	—	80 × 80 × 25 mm	Yes	279
9WP0824H4011	9WP0824H4021	9WP0824H4011	9WP0824H4D011	—	80 × 80 × 25 mm	No	279
9WP0824S401	9WP0824S402	9WP0824S401	9WP0824S4D01	—	80 × 80 × 25 mm	Yes	279
9WP0824S4011	9WP0824S4021	9WP0824S4011	—	—	80 × 80 × 25 mm	No	279
9WP0848S401	9WP0848S402	9WP0848S401	9WP0848S4D01	—	80 × 80 × 25 mm	Yes	279
9WP0848S4011	9WP0848S4021	9WP0848S4011	9WP0848S4D011	—	80 × 80 × 25 mm	No	279
9WP0912F401	9WP0912F402	9WP0912F401	9WP0912F4D01	—	92 × 92 × 25 mm	Yes	287
9WP0912F4011	—	9WP0912F4011	9WP0912F4D011	—	92 × 92 × 25 mm	No	287
9WP0912S401	9WP0912S402	9WP0912S401	9WP0912S4D01	—	92 × 92 × 25 mm	Yes	287
9WP0912S4011	—	9WP0912S4011	—	—	92 × 92 × 25 mm	No	287

For compliance with standards, see individual product pages. Please contact your point of sale regarding low-speed sensors.  
The  mark indicates Short Lead Time Service applicable models. See p. 626 for details.

Models listed in product pages	List of models (Below are optional models and not listed in product pages. Standard compliance of these optional models may differ from that of the models listed in product pages. Contact us for details of "—" models.)				Frame size	Rib	page
	Without sensor	With pulse sensor	With lock sensor	With PWM control function and pulse sensor			
	9WP0924B401	9WP0924B402	9WP0924B401	9WP0924B4D01			
9WP0924B4011	9WP0924B4021	9WP0924B4011	9WP0924B4D011	—	92 × 92 × 25 mm	No	287
9WP0924F401	9WP0924F402	9WP0924F401	9WP0924F4D01	—	92 × 92 × 25 mm	Yes	287
9WP0924F4011	9WP0924F4021	9WP0924F4011	9WP0924F4D011	—	92 × 92 × 25 mm	No	287
9WP0924G401	9WP0924G402	9WP0924G401	9WP0924G4D01	—	92 × 92 × 25 mm	Yes	287
9WP0924G4011	—	9WP0924G4011	—	—	92 × 92 × 25 mm	No	287
9WP0924H401	9WP0924H402	9WP0924H401	9WP0924H4D01	—	92 × 92 × 25 mm	Yes	287
9WP0924H4011	—	9WP0924H4011	—	—	92 × 92 × 25 mm	No	287
9WP0924S401	9WP0924S402	9WP0924S401	9WP0924S4D01	—	92 × 92 × 25 mm	Yes	287
9WP0924S4011	—	9WP0924S4011	—	—	92 × 92 × 25 mm	No	287
9WP1212H101	9WP1212H102	9WP1212H101	9WP1212H1D01	—	120 × 120 × 38 mm	Yes	301
9WP1212H1011	9WP1212H1021	9WP1212H1011	9WP1212H1D011	—	120 × 120 × 38 mm	No	301
9WP1212L101	9WP1212L102	9WP1212L101	—	—	120 × 120 × 38 mm	Yes	301
9WP1212L1011	—	9WP1212L1011	—	—	120 × 120 × 38 mm	No	301
9WP1212M101	9WP1212M102	9WP1212M101	—	—	120 × 120 × 38 mm	Yes	301
9WP1212M1011	9WP1212M1021	9WP1212M1011	—	—	120 × 120 × 38 mm	No	301
9WP1224H101	9WP1224H102	9WP1224H101	9WP1224H1D01	—	120 × 120 × 38 mm	Yes	301
9WP1224H1011	9WP1224H1021	9WP1224H1011	9WP1224H1D011	—	120 × 120 × 38 mm	No	301
9WP1224M101	9WP1224M102	9WP1224M101	—	—	120 × 120 × 38 mm	Yes	301
9WP1224M1011	9WP1224M1021	9WP1224M1011	—	—	120 × 120 × 38 mm	No	301
9WP1248H101	9WP1248H102	9WP1248H101	9WP1248H1D01	—	120 × 120 × 38 mm	Yes	301
9WP1248H1011	9WP1248H1021	9WP1248H1011	9WP1248H1D011	—	120 × 120 × 38 mm	No	301
9WP1248M101	9WP1248M102	9WP1248M101	9WP1248M1D01	—	120 × 120 × 38 mm	Yes	301
9WP1248M1011	9WP1248M1021	9WP1248M1011	9WP1248M1D011	—	120 × 120 × 38 mm	No	301
9WV0812P1M001	—	9WV0812M1001	9WV0812M1D001	9WV0812P1M001	80 × 80 × 38 mm	Yes	281
9WV0812P1M0011	—	—	—	9WV0812P1M0011	80 × 80 × 38 mm	No	281
9WV0848P1H001	—	—	—	9WV0848P1H001	80 × 80 × 38 mm	Yes	281
9WV0848P1H0011	—	—	—	9WV0848P1H0011	80 × 80 × 38 mm	No	281
9WV0924P1H001	9WV0924H1002	—	—	9WV0924P1H001	92 × 92 × 38 mm	Yes	293
9WV0948P1H001	—	—	—	9WV0948P1H001	92 × 92 × 38 mm	Yes	293
9WV1212P1J001	9WV1212J1002	—	9WV1212J1D001	9WV1212P1J001	120 × 120 × 38 mm	No	295
9WV1224P1H001	9WV1224H102	9WV1224H101	9WV1224H1D001	9WV1224P1H001	120 × 120 × 38 mm	No	295
9WV1224P1J601	9WV1224J1002	9WV1224J1001	—	9WV1224P1J601	120 × 120 × 38 mm	No	295
9WV1248P1J001	9WV1248J1002	9WV1248J1001	9WV1248J1D001	9WV1248P1J001	120 × 120 × 38 mm	No	295

For compliance with standards, see individual product pages. Please contact your point of sale regarding low-speed sensors.  
The  mark indicates Short Lead Time Service applicable models. See p. 626 for details.

## Index by Model No./Safety Standards List - ACDC Fans **AC**

Models listed in product pages	Option	Frame size	Model	Rated voltage [V]	Rib	Standard (certification status is for the models listed in this catalog, and standards for optional model numbers may differ.)					page
	Pulse sensor					UL (cUL)	CSA (cUL)	TÜV	CE	PSE	
▶ 9AD0901H12	9AD0901H11	92 × 92 × 38 mm	San Ace 92AD	100 to 240	Yes	✓	✓	✓	✓	✓	494
▶ 9AD0901H121	9AD0901H111	92 × 92 × 38 mm	San Ace 92AD	100 to 240	No	✓	✓	✓	✓	✓	494
▶ 9AD0901H1H	9AD0901H11	92 × 92 × 38 mm	San Ace 92AD	100 to 240	Yes	✓	✓	✓	✓	✓	494
▶ 9AD0901H1H1	9AD0901H111	92 × 92 × 38 mm	San Ace 92AD	100 to 240	No	✓	✓	✓	✓	✓	494
▶ 9AD0901M12	9AD0901M11	92 × 92 × 38 mm	San Ace 92AD	100 to 240	Yes	✓	✓	✓	✓	✓	494
▶ 9AD0901M121	9AD0901M111	92 × 92 × 38 mm	San Ace 92AD	100 to 240	No	✓	✓	✓	✓	✓	494
▶ 9AD0901M1H	9AD0901M11	92 × 92 × 38 mm	San Ace 92AD	100 to 240	Yes	✓	✓	✓	✓	✓	494
▶ 9AD0901M1H1	9AD0901M111	92 × 92 × 38 mm	San Ace 92AD	100 to 240	No	✓	✓	✓	✓	✓	494
▶ 9AD1201H12	9AD1201H11	120 × 120 × 38 mm	San Ace 120AD	100 to 240	Yes	✓	✓	✓	✓	✓	498
▶ 9AD1201H121	9AD1201H111	120 × 120 × 38 mm	San Ace 120AD	100 to 240	No	✓	✓	✓	✓	✓	498
▶ 9AD1201H1H	9AD1201H11	120 × 120 × 38 mm	San Ace 120AD	100 to 240	Yes	✓	✓	✓	✓	✓	498
▶ 9AD1201H1H1	9AD1201H111	120 × 120 × 38 mm	San Ace 120AD	100 to 240	No	✓	✓	✓	✓	✓	498
9ADTS11P0F001	—	∅225 × 99 mm	San Ace 225AD	115	—	—	—	—	—	—	502
9ADTS11P0G001	—	∅225 × 99 mm	San Ace 225AD	115	—	—	—	—	—	—	502
9ADTS23P0F001	—	∅225 × 99 mm	San Ace 225AD	230	—	—	—	—	—	—	502
9ADTS23P0G001	—	∅225 × 99 mm	San Ace 225AD	230	—	—	—	—	—	—	502
9ADW1TS11P0H001	—	∅225 × 99 mm	San Ace 225AD	115	—	—	—	—	—	—	505
9ADW1TS11P0M001	—	∅225 × 99 mm	San Ace 225AD	115	—	—	—	—	—	—	505
9ADW1TS23P0H001	—	∅225 × 99 mm	San Ace 225AD	230	—	—	—	—	—	—	505
9ADW1TS23P0M001	—	∅225 × 99 mm	San Ace 225AD	230	—	—	—	—	—	—	505

Please contact your point of sale for pulse sensors and lock sensors. The ▶ mark indicates Short Lead Time Service applicable models. See p. 626 for details.

## Index by Model No./Safety Standards List - AC Fans **AC**

Models listed in product pages	Frame size	Model	Rated voltage [V]	UL	CSA	TÜV	CE	PSE	Note	page
109-033UL	80 × 80 × 42 mm	San Ace 80	115	✓	✓	✓	✓	✓		520
109-040UL	80 × 80 × 42 mm	San Ace 80	100	✓	✓	✓	✓	✓		520
109-041UL	80 × 80 × 42 mm	San Ace 80	200	✓	✓	✓	✓	✓		520
109-043UL	80 × 80 × 42 mm	San Ace 80	115	✓	✓	✓	✓	✓		520
109-044UL	80 × 80 × 42 mm	San Ace 80	230	✓	✓	✓	✓	✓		520
109-047UL	80 × 80 × 42 mm	San Ace 80	100	✓	✓	✓	✓	✓		520
109-130	60 × 60 × 38 mm	San Ace 60	100	✓	—	✓	✓	—		512
109-133	60 × 60 × 38 mm	San Ace 60	115	✓	—	✓	✓	—		512
109-150	80 × 80 × 38 mm	San Ace 80	100	✓	✓	✓	✓	✓		518
109-151	80 × 80 × 38 mm	San Ace 80	200	✓	✓	✓	✓	✓		518
109-153	80 × 80 × 38 mm	San Ace 80	115	✓	✓	✓	✓	✓		518
109-154	80 × 80 × 38 mm	San Ace 80	230	✓	✓	✓	✓	✓		518
109-180	60 × 60 × 28 mm	San Ace 60	100	✓	—	✓	✓	—		510
109-183	60 × 60 × 28 mm	San Ace 60	115	✓	—	✓	✓	—		510
109-210	80 × 80 × 20 mm	San Ace 80	100	✓	✓	✓	✓	—		514
109-213	80 × 80 × 20 mm	San Ace 80	115	✓	✓	✓	✓	—		514
109-311	∅172 × 51 mm (Round type)	San Ace 172	100	✓	✓	✓	✓	✓		540
109-312	∅172 × 51 mm (Round type)	San Ace 172	200	✓	✓	✓	✓	✓		540
109-313	∅172 × 51 mm (Round type)	San Ace 172	230	✓	✓	✓	✓	✓		540
109-314	∅172 × 51 mm (Round type)	San Ace 172	115	✓	✓	✓	✓	✓		540
109-371	∅172 × 51 mm (with sensor)	San Ace 172	100	✓	—	✓	✓	✓		540
109-372	∅172 × 51 mm (with sensor)	San Ace 172	200	✓	—	✓	✓	✓		540
109-373	∅172 × 51 mm (with sensor)	San Ace 172	230	✓	—	✓	✓	✓		540
109-374	∅172 × 51 mm (with sensor)	San Ace 172	115	✓	—	✓	✓	✓		540
109-601	160 × 160 × 51 mm	San Ace 160	100	✓	✓	✓	✓	✓		535
109-602	160 × 160 × 51 mm	San Ace 160	200	✓	✓	✓	✓	✓		535
109-603	160 × 160 × 51 mm	San Ace 160	230	✓	✓	✓	✓	✓		535
109-604	160 × 160 × 51 mm	San Ace 160	115	✓	✓	✓	✓	✓		535
109-641	160 × 160 × 51 mm (with sensor)	San Ace 160	100	✓	—	✓	✓	✓		535
109-642	160 × 160 × 51 mm (with sensor)	San Ace 160	200	✓	—	✓	✓	✓		535
109-643	160 × 160 × 51 mm (with sensor)	San Ace 160	230	✓	—	✓	✓	✓		535
109-644	160 × 160 × 51 mm (with sensor)	San Ace 160	115	✓	—	✓	✓	✓		535
109S005	120 × 120 × 38 mm	San Ace 120	100	—	—	—	—	✓		530
109S005UL	120 × 120 × 38 mm	San Ace 120	100	✓	✓	✓	✓	✓		530
109S006	120 × 120 × 38 mm	San Ace 120	100	—	—	—	—	✓		530
109S006UL	120 × 120 × 38 mm	San Ace 120	100/115	✓	✓	✓	✓	✓		530
109S008	120 × 120 × 38 mm	San Ace 120	200	—	—	—	—	✓		530

Models listed in product pages	Frame size	Model	Rated voltage [V]	UL	CSA	TÜV	CE	PSE	Note	page
109S008UL	120×120×38 mm	San Ace 120	200	✓	✓	✓	✓	✓		530
109S010	120×120×38 mm	San Ace 120	200	—	—	—	—	✓		530
109S010UL	120×120×38 mm	San Ace 120	200/240	✓	✓	✓	✓	✓		530
109S013	120×120×38 mm	San Ace 120	100	—	—	—	—	✓		530
109S013UL	120×120×38 mm	San Ace 120	100	✓	✓	✓	✓	✓		530
109S024	120×120×38 mm	San Ace 120	120	—	—	—	—	✓		530
109S024UL	120×120×38 mm	San Ace 120	115	✓	✓	✓	✓	✓		530
109S025	120×120×38 mm	San Ace 120	230	—	—	—	—	✓		530
109S025UL	120×120×38 mm	San Ace 120	230	✓	✓	✓	✓	✓		530
109S029UL	120×120×38 mm	San Ace 120	100	✓	✓	✓	✓	✓		530
109S030	80×80×25 mm	San Ace 80	100	✓	✓	✓	✓	✓		516
109S031	80×80×25 mm	San Ace 80	200	✓	✓	✓	✓	✓		516
109S033	80×80×25 mm	San Ace 80	115	✓	✓	✓	✓	✓		516
109S034	80×80×25 mm	San Ace 80	230	✓	✓	✓	✓	✓		516
109S050	80×80×25 mm	San Ace 80	100	✓	✓	✓	✓	✓		516
109S051	80×80×25 mm	San Ace 80	200	✓	✓	✓	✓	✓		516
109S053	80×80×25 mm	San Ace 80	115	✓	✓	✓	✓	✓		516
109S054	80×80×25 mm	San Ace 80	230	✓	✓	✓	✓	✓		516
109S072UL	120×120×38 mm	San Ace 120	230	✓	✓	✓	✓	✓		530
109S074UL	120×120×38 mm	San Ace 120	115	✓	✓	✓	✓	✓		530
109S075UL	120×120×38 mm	San Ace 120	100	✓	✓	✓	✓	✓		530
109S078UL	120×120×38 mm	San Ace 120	200	✓	✓	✓	✓	✓		530
109S081	120×120×25 mm	San Ace 120	100	✓	✓	✓	✓	✓		526
109S082	120×120×25 mm	San Ace 120	200	✓	✓	✓	✓	✓		526
109S083	120×120×25 mm	San Ace 120	115	✓	✓	✓	✓	✓		526
109S084	120×120×25 mm	San Ace 120	115	✓	✓	✓	✓	✓		526
109S085	120×120×25 mm	San Ace 120	100	✓	✓	✓	✓	✓		526
109S086	120×120×25 mm	San Ace 120	100	✓	✓	✓	✓	✓		526
109S087	120×120×25 mm	San Ace 120	230	✓	✓	✓	✓	✓		526
109S088	120×120×25 mm	San Ace 120	200	✓	✓	✓	✓	✓		526
109S089	120×120×25 mm	San Ace 120	230	✓	✓	✓	✓	✓		526
109S091	92×92×25 mm	San Ace 92	100	✓	✓	✓	✓	✓		522
109S092	92×92×25 mm	San Ace 92	200	✓	✓	✓	✓	✓		522
109S093	92×92×25 mm	San Ace 92	115	✓	✓	✓	✓	✓		522
109S094	92×92×25 mm	San Ace 92	230	✓	✓	✓	✓	✓		522
109S095	92×92×25 mm	San Ace 92	100	✓	✓	✓	✓	✓		522
109S096	92×92×25 mm	San Ace 92	100	✓	✓	✓	✓	✓		522
109S192	92×92×25 mm	San Ace 92	200	✓	✓	✓	✓	✓		522
109S193	92×92×25 mm	San Ace 92	115	✓	✓	✓	✓	✓		522
109S194	92×92×25 mm	San Ace 92	230	✓	✓	✓	✓	✓		522
109S301	∅172×150×51 mm (Sidecut type)	San Ace 172	100	✓	✓	✓	✓	✓		538
109S302	∅172×150×51 mm (Sidecut type)	San Ace 172	200	✓	✓	✓	✓	✓		538
109S303	∅172×150×51 mm (Sidecut type)	San Ace 172	230	✓	✓	✓	✓	✓		538
109S304	∅172×150×51 mm (Sidecut type)	San Ace 172	115	✓	✓	✓	✓	✓		538
109S405UL	120×120×38 mm (with sensor)	San Ace 120	100	✓	—	✓	✓	✓		531
109S406UL	120×120×38 mm (with sensor)	San Ace 120	100	✓	—	✓	✓	✓		531
109S408UL	120×120×38 mm (with sensor)	San Ace 120	200	✓	—	✓	✓	✓		531
109S424UL	120×120×38 mm (with sensor)	San Ace 120	115	✓	—	✓	✓	✓		531
109S425UL	120×120×38 mm (with sensor)	San Ace 120	230	✓	—	✓	✓	✓		531
109S429UL	120×120×38 mm (with sensor)	San Ace 120	100	✓	—	✓	✓	✓		531
109S472UL	120×120×38 mm (with sensor)	San Ace 120	230	✓	—	✓	✓	✓		531
109S474UL	120×120×38 mm (with sensor)	San Ace 120	115	✓	—	✓	✓	✓		531
109S475UL	120×120×38 mm (with sensor)	San Ace 120	100	✓	—	✓	✓	✓		531
109S478UL	120×120×38 mm (with sensor)	San Ace 120	200	✓	—	✓	✓	✓		531
109S484	120×120×25 mm (with sensor)	San Ace 120	115	✓	—	✓	✓	✓		526
109S485	120×120×25 mm (with sensor)	San Ace 120	100	✓	—	✓	✓	✓		526
109S486	120×120×25 mm (with sensor)	San Ace 120	100	✓	—	✓	✓	✓		526
109S487	120×120×25 mm (with sensor)	San Ace 120	230	✓	—	✓	✓	✓		526
109S488	120×120×25 mm (with sensor)	San Ace 120	200	✓	—	✓	✓	✓		526
109S491	92×92×25 mm (with sensor)	San Ace 92	100	✓	—	✓	✓	✓		522
109S492	92×92×25 mm (with sensor)	San Ace 92	200	✓	—	✓	✓	✓		522
109S493	92×92×25 mm (with sensor)	San Ace 92	115	✓	—	✓	✓	✓		522
109S494	92×92×25 mm (with sensor)	San Ace 92	230	✓	—	✓	✓	✓		522
109S495	92×92×25 mm (with sensor)	San Ace 92	100	✓	—	✓	✓	✓		522
109S496	92×92×25 mm (with sensor)	San Ace 92	100	✓	—	✓	✓	✓		522

## Index by Model No. - Options

### ■ Finger Guards **DC** **AC**

Model no.	Category	Matching fan size	page
109-019C	Finger Guards	120 mm sq. type	559
109-019E	Finger Guards	120 mm sq. type	559
109-019H	Finger Guards	120 mm sq. type	559
109-019K	Finger Guards	120 mm sq. type	559
109-049C	Finger Guards	80 mm sq. type	558
109-049E	Finger Guards	80 mm sq. type	558
109-049H	Finger Guards	80 mm sq. type	558
109-059	Finger Guards	40 mm sq. type	558
109-059H	Finger Guards	40 mm sq. type	558
109-099C	Finger Guards	92 mm sq. type	558
109-099E	Finger Guards	92 mm sq., $\phi$ 100 mm type	558
109-099H	Finger Guards	92 mm sq., $\phi$ 100 mm type	558
109-1050	Finger Guards	36 mm sq. type	558
109-1051	Finger Guards	150 mm sq. type	559
109-1052	Finger Guards	150 mm sq. type	559
109-1065	Finger Guards	38 mm sq. type	558
109-1066	Finger Guards	$\phi$ 172 mm type	560
109-1068	Finger Guards	$\phi$ 172 mm type	560
109-1102	Finger Guards	$\phi$ 200 mm type	561
109-1103	Finger Guards	$\phi$ 200 mm type	561
109-1104	Finger Guards	$\phi$ 150 mm type	559
109-1104H	Finger Guards	$\phi$ 150 mm type	559
109-1112	Finger Guards	$\phi$ 133 mm type	559
109-1128	Finger Guards	70 mm sq. type	558
109-1137	Finger Guards	$\phi$ 225 mm type	561
109-1137H	Finger Guards	$\phi$ 225 mm type	561
109-1138	Finger Guards	$\phi$ 221 mm type	561
109-1138H	Finger Guards	$\phi$ 221 mm type	561
109-1139	Finger Guards	$\phi$ 136 mm type	559
109-1146	Finger Guards	270 mm sq. type	562
109-1146H	Finger Guards	270 mm sq. type	562
109-1147	Finger Guards	$\phi$ 92 mm type	558
109-139E	Finger Guards	60 mm sq. type	558
109-139H	Finger Guards	60 mm sq. type	558
109-149	Finger Guards	52 mm sq. type	558
109-149E	Finger Guards	52 mm sq. type	558
109-319E	Finger Guards	$\phi$ 172 mm type	560
109-319H	Finger Guards	$\phi$ 172 mm type	560
109-319J	Finger Guards	$\phi$ 172 mm type	560
109-320	Finger Guards	$\phi$ 172 mm type	560
109-619E	Finger Guards	160 mm sq. type	559
109-619H	Finger Guards	160 mm sq. type	559
109-620	Finger Guards	160 mm sq. type	559
109-719	Finger Guards	140 mm sq. type	559
109-719H	Finger Guards	140 mm sq. type	559
109-720	Finger Guards	$\phi$ 200 mm type	561
109-720H	Finger Guards	$\phi$ 200 mm type	561
109-721	Finger Guards	$\phi$ 200 mm type	561
109-721H	Finger Guards	$\phi$ 200 mm type	561
109-722	Finger Guards	127 mm sq., $\phi$ 175 mm type	559
109-722H	Finger Guards	127 mm sq., $\phi$ 175 mm type	559
109-723	Finger Guards	127 mm sq. type	559

### ■ Resin Finger Guards/Resin Filter Kits **DC** **AC**

Model no.	Category	Matching fan size	page
109-1000F13	Resin Filter Kits	120 mm sq. type	566
109-1000F20	Resin Filter Kits	120 mm sq. type	566
109-1000F30	Resin Filter Kits	120 mm sq. type	566
109-1000F40	Resin Filter Kits	120 mm sq. type	566
109-1001F13	Resin Filter Kits	92 mm sq. type	566
109-1001F20	Resin Filter Kits	92 mm sq. type	566
109-1001F30	Resin Filter Kits	92 mm sq. type	566
109-1001F40	Resin Filter Kits	92 mm sq. type	566
109-1002F13	Resin Filter Kits	80 mm sq. type	566
109-1002F20	Resin Filter Kits	80 mm sq. type	566
109-1002F30	Resin Filter Kits	80 mm sq. type	566
109-1002F40	Resin Filter Kits	80 mm sq. type	566
109-1003F13	Resin Filter Kits	60 mm sq. type	566
109-1003F20	Resin Filter Kits	60 mm sq. type	566
109-1003F30	Resin Filter Kits	60 mm sq. type	566
109-1003F40	Resin Filter Kits	60 mm sq. type	566
109-1000G	Resin Finger Guards	120 mm sq. type	565
109-1001G	Resin Finger Guards	92 mm sq. type	565
109-1002G	Resin Finger Guards	80 mm sq. type	565
109-1003G	Resin Finger Guards	60 mm sq. type	565

### ■ Replacement filter **DC** **AC**

Model no.	Category	Matching fan size	page
109-1000M13	Replacement filter	120 mm sq. type	566
109-1000M20	Replacement filter	120 mm sq. type	566
109-1000M30	Replacement filter	120 mm sq. type	566
109-1000M40	Replacement filter	120 mm sq. type	566
109-1001M13	Replacement filter	92 mm sq. type	566
109-1001M20	Replacement filter	92 mm sq. type	566
109-1001M30	Replacement filter	92 mm sq. type	566
109-1001M40	Replacement filter	92 mm sq. type	566
109-1002M13	Replacement filter	80 mm sq. type	566
109-1002M20	Replacement filter	80 mm sq. type	566
109-1002M30	Replacement filter	80 mm sq. type	566
109-1002M40	Replacement filter	80 mm sq. type	566
109-1003M13	Replacement filter	60 mm sq. type	566
109-1003M20	Replacement filter	60 mm sq. type	566
109-1003M30	Replacement filter	60 mm sq. type	566
109-1003M40	Replacement filter	60 mm sq. type	566



## ■ EMC guards/Inlet nozzle for centrifugal fan and splash proof centrifugal fan **DC**

Model no.	Category	Matching fan size	page
109-1036	EMC guards	∅172 mm type	564
109-1037	EMC guards	120 mm sq. type	564
109-1038	EMC guards	80 mm sq. type	564
109-1039	EMC guards	80 mm sq. type	564
109-1040	EMC guards	92 mm sq. type	564
109-1069	Inlet nozzle for centrifugal fan and splash proof centrifugal fan	∅133 mm type	563
109-1069H	Inlet nozzle for centrifugal fan and splash proof centrifugal fan	∅133 mm type	563
109-1073	Inlet nozzle for centrifugal fan and splash proof centrifugal fan	∅175 mm type	563
109-1073H	Inlet nozzle for centrifugal fan and splash proof centrifugal fan	∅175 mm type	563
109-1080	Inlet nozzle for centrifugal fan and splash proof centrifugal fan	∅100 mm type	563
109-1080H	Inlet nozzle for centrifugal fan and splash proof centrifugal fan	∅100 mm type	563
109-1081	Inlet nozzle for centrifugal fan and splash proof centrifugal fan	∅150 mm type	563
109-1081H	Inlet nozzle for centrifugal fan and splash proof centrifugal fan	∅150 mm type	563
109-1134	Inlet nozzle for centrifugal fan and splash proof centrifugal fan	∅225 mm type	563
109-1134H	Inlet nozzle for centrifugal fan and splash proof centrifugal fan	∅225 mm type	563
109-1135	Inlet nozzle for centrifugal fan and splash proof centrifugal fan	∅221 mm type	563
109-1135H	Inlet nozzle for centrifugal fan and splash proof centrifugal fan	∅221 mm type	563

## ■ Filter kits/Screen kits **AC**

Model no.	Category	Matching fan size	Note	page
109-018	Filter kits	120 × 120 × 38 mm	Not mountable on AC fans with a sensor or ACDC fans.	567
109-020	Screen kits	120 × 120 × 38 mm		567

## ■ Plug Cord **AC**

Model no.	UL	CSA	PSE	Applicable model	page
489-006-L10			✓	120 × 120 × 38 mm	568
489-006-L21			✓	120 × 120 × 38 mm	568
489-006-L35			✓	120 × 120 × 38 mm	568
489-007-L10	✓	✓		120 × 120 × 38 mm	569
489-007-L21	✓	✓		120 × 120 × 38 mm	569
489-008-L10			✓	80 × 80 × 42 mm	568
489-008-L21			✓	80 × 80 × 42 mm	568
489-008-L35			✓	80 × 80 × 42 mm	568
489-016-L10			✓	120 × 120 × 25 mm 92 × 92 × 25 mm 80 × 80 × 25 mm 80 × 80 × 38 mm	568
489-016-L21			✓	120 × 120 × 25 mm 92 × 92 × 25 mm 80 × 80 × 25 mm 80 × 80 × 38 mm	568
489-037-L10			✓	120 × 120 × 38 mm	568
489-037-L21			✓	120 × 120 × 38 mm	568
489-037-L35			✓	120 × 120 × 38 mm	568
489-047-L10	✓	✓		120 × 120 × 25 mm 92 × 92 × 25 mm 80 × 80 × 25 mm 80 × 80 × 38 mm	569
489-047-L21	✓	✓		120 × 120 × 25 mm 92 × 92 × 25 mm 80 × 80 × 25 mm 80 × 80 × 38 mm	569
489-084-L10	✓	✓		∅172 × 51 mm ∅172 × 150 × 51 mm 160 × 160 × 51 mm	569
489-084-L21	✓	✓		∅172 × 51 mm ∅172 × 150 × 51 mm 160 × 160 × 51 mm	569
489-086-L10	✓	✓		160 × 160 × 51 mm	569
489-086-L21	✓	✓		160 × 160 × 51 mm	569
489-1618-L10			✓	160 × 160 × 51 mm	568
489-1618-L21			✓	160 × 160 × 51 mm	568
489-1618-L28			✓	160 × 160 × 51 mm	568
489-1619-L10			✓	∅172 × 51 mm ∅172 × 150 × 51 mm 160 × 160 × 51 mm	568
489-1619-L21			✓	∅172 × 51 mm ∅172 × 150 × 51 mm 160 × 160 × 51 mm	568
489-1635-L10	✓	✓	✓	ACDC Fan	569
489-1635-L21	✓	✓	✓		569

Recommended connectors for DC fans . . . . . page 570

# Deleted Models in this Catalog

Following models were deleted in this latest version of catalog. However, these models are not discontinued product. Please contact us for further assistance if necessary.

## DC Fan

Size	Model no.	Frame material	Rated voltage [V]	Operating voltage range [V]	Rated current [A]	Rated input [W]	Rated speed [min <sup>-1</sup> ]	Max. airflow [m <sup>3</sup> /min] [CFM]		Max. static pressure [Pa] [inchH <sub>2</sub> O]		SPL [dB (A)]	Operating temperature [°C]	Expected life [h]
52×52×15 mm	109P0512A701	Plastics	12	10.2 to 13.8	0.21	2.52	6800	0.375	13.25	69.7	0.28	36	-20 to +70	40000/60°C
52×52×15 mm	109P0512H701	Plastics	12	7 to 13.8	0.1	1.2	4600	0.255	9.0	31.9	0.128	27	-20 to +70	60000/60°C
52×52×15 mm	109P0512M701	Plastics	12	7 to 13.8	0.07	0.84	3700	0.205	7.24	21.4	0.086	22	-20 to +70	60000/60°C
52×52×15 mm	109P0524A701	Plastics	24	14 to 27.6	0.11	2.64	6800	0.375	13.24	69.7	0.28	36	-20 to +60	40000/60°C
52×52×15 mm	109P0524H701	Plastics	24	14 to 27.6	0.05	1.2	4600	0.255	9.0	31.9	0.128	27	-20 to +70	60000/60°C
52×52×15 mm	109P0524M701	Plastics	24	14 to 27.6	0.04	0.96	3700	0.205	7.24	21.4	0.086	22	-20 to +70	60000/60°C
60×60×15 mm	109P0605H701	Plastics	5	4.5 to 5.5	0.26	1.3	4100	0.4	14.1	38.2	0.153	32	-20 to +70	60000/60°C
60×60×15 mm	109P0605M701	Plastics	5	4.5 to 5.5	0.15	0.75	3100	0.3	10.6	22.6	0.091	25	-20 to +70	60000/60°C
60×60×15 mm	109P0612K701	Plastics	12	10.2 to 13.8	0.26	3.12	6500	0.62	21.9	99.3	0.399	45	-20 to +60	40000/60°C
60×60×15 mm	109P0612S701	Plastics	12	10.2 to 13.8	0.15	1.8	5000	0.48	17	58.8	0.236	36	-20 to +70	40000/60°C
60×60×15 mm	109P0612H701	Plastics	12	7 to 13.8	0.09	1.08	4100	0.4	14.1	38.2	0.153	32	-20 to +70	60000/60°C
60×60×15 mm	109P0612M701	Plastics	12	10.2 to 13.8	0.07	0.84	3100	0.3	10.6	22.6	0.091	25	-20 to +70	60000/60°C
60×60×15 mm	109P0612B701	Plastics	12	10.2 to 13.8	0.05	0.6	2200	0.21	7.42	11.7	0.047	21	-20 to +70	60000/60°C
60×60×15 mm	109P0624J701	Plastics	24	14 to 27.6	0.14	3.36	6200	0.61	21.5	86.5	0.347	44	-20 to +60	40000/60°C
60×60×15 mm	109P0624S701	Plastics	24	14 to 27.6	0.08	1.92	5000	0.48	16.9	58.8	0.236	36	-20 to +70	40000/60°C
60×60×15 mm	109P0624H701	Plastics	24	14 to 27.6	0.06	1.44	4100	0.4	14.1	38.2	0.153	32	-20 to +70	60000/60°C
60×60×15 mm	109P0624M701	Plastics	24	20.4 to 27.6	0.04	0.96	3100	0.3	10.6	22.6	0.091	25	-20 to +70	60000/60°C
60×60×20 mm	109P0612W601	Plastics	12	6 to 16	0.13	1.56	4200	0.42	14.8	31.8	0.128	31	-20 to +70	60000/60°C
60×60×20 mm	109P0612H601	Plastics	12	10.2 to 13.8	0.13	1.56	4200	0.42	14.8	31.8	0.128	31	-20 to +70	60000/60°C
60×60×20 mm	109P0612M601	Plastics	12	10.2 to 13.8	0.09	1.08	3200	0.3	10.6	18.8	0.076	25	-20 to +70	60000/60°C
60×60×20 mm	109P0624W601	Plastics	24	12 to 30	0.07	1.68	4200	0.42	14.8	31.8	0.128	31	-20 to +70	60000/60°C
60×60×20 mm	109P0624H601	Plastics	24	20.4 to 27.6	0.07	1.68	4200	0.42	14.8	31.8	0.128	31	-20 to +70	60000/60°C
60×60×20 mm	109P0624M601	Plastics	24	20.4 to 27.6	0.05	1.2	3200	0.3	10.6	18.8	0.076	25	-20 to +70	60000/60°C
60×60×20 mm	109P0648H601	Plastics	48	43 to 53	0.07	3.36	5600	0.55	19.4	52.9	0.212	41	-20 to +70	60000/60°C
60×60×38 mm	9G0612G101	Plastics	12	7.0 to 13.8	1.54	18.5	11800	1.84	65	435	1.747	58	-20 to +70	40000/60°C
60×60×38 mm	9G0612S101	Plastics	12	7.0 to 13.8	1.36	16.3	10800	1.7	60	370	1.486	56	-20 to +70	40000/60°C
60×60×38 mm	9G0624G101	Plastics	24	14.0 to 27.6	0.85	20.4	11800	1.84	65	435	1.747	58	-20 to +70	40000/60°C
60×60×38 mm	9G0624S101	Plastics	24	14.0 to 27.6	0.7	16.8	10800	1.7	60	370	1.486	56	-20 to +70	40000/60°C
60×60×38 mm	9G0624H101	Plastics	24	14.0 to 27.6	0.57	13.68	9800	1.54	54.4	304.6	1.223	54	-20 to +70	40000/60°C
60×60×38 mm	9G0648G101	Plastics	48	28 to 55.2	0.35	16.8	11800	1.84	65	435	1.747	58	-20 to +70	40000/60°C
60×60×38 mm	9G0648S101	Plastics	48	28 to 55.2	0.29	13.9	10800	1.7	60	370	1.486	56	-20 to +70	40000/60°C
φ200×70 mm	109E2024S001	Aluminum	24	21.6 to 26.4	1.9	45.6	3200	10.45	369	287.1	1.153	57	-10 to +70	40000
φ200×70 mm	109E2024H001	Aluminum	24	20.4 to 27.6	1.0	24	2600	8.2	289.5	192	0.771	51	-10 to +70	40000
φ200×70 mm	109E2024AS001	Aluminum	24	21.6 to 26.4	1.9	45.6	3200	10.45	369	287.1	1.153	57	-10 to +70	40000
φ200×70 mm	109E2024AS001	Aluminum	24	21.6 to 26.4	1.45	34.8	2800	9	317.8	215.6	0.865	54	-10 to +70	40000
φ200×70 mm	109E2024MH001	Aluminum	24	20.4 to 27.6	1.0	24	2600	8.2	289.5	192	0.771	51	-10 to +70	40000
φ200×70 mm	109E2024MH001	Aluminum	24	20.4 to 27.6	0.63	15.12	2100	6.7	236.6	115.4	0.463	45	-10 to +70	40000

Size	Model no.	Frame material	Rated voltage [V]	Operating voltage range [V]	PWM duty cycle* [%]	Rated current [A]	Rated input [W]	Rated speed [min <sup>-1</sup> ]	Max. airflow [m <sup>3</sup> /min] [CFM]		Max. static pressure [Pa] [inchH <sub>2</sub> O]		SPL [dB (A)]	Operating temperature [°C]	Expected life [h]
60×60×38 mm	9GV0612P1G03	Plastics	12	8.0 to 13.8	100	2.8	33.6	16000	2.37	84	751	3.02	66	-20 to +70	40000/60°C
					0	0.12	1.5	3100	0.44	15	26	0.1	25		
60×60×38 mm	9GV0612P1H03	Plastics	12	8.0 to 13.8	100	2.0	24.0	14500	2.15	76	617	2.48	63	-20 to +70	40000/60°C
					0	0.1	1.2	2700	0.4	14	21	0.09	22		
60×60×38 mm	9GV0612P1M03	Plastics	12	8.0 to 13.8	100	1.5	18.0	13000	1.93	68	496	1.99	60	-20 to +70	40000/60°C
					0	0.08	1.0	2500	0.38	13	18	0.07	19		
60×60×38 mm	9GV0612P1L01	Plastics	12	8.0 to 13.8	100	0.7	8.4	10000	1.49	52.6	293	1.17	52	-20 to +70	40000/60°C
60×60×38 mm	9GV0624P1G03	Plastics	24	20.4 to 27.6	100	1.4	33.6	16000	2.37	84	751	3.02	66	-20 to +70	40000/60°C
					0	0.12	2.88	6000	0.89	31	105	0.42	38		
60×60×38 mm	9GV0624P1M03	Plastics	24	20.4 to 27.6	100	0.73	17.52	13000	1.93	68.0	496	1.99	60	-20 to +70	40000/60°C

\* PWM frequency: 25 kHz

## Counter Rotating Fan

Size	Model no.	Frame material	Rated voltage [V]	Operating voltage range [V]	Rated current [A]	Rated input [W]	Rated speed [min <sup>-1</sup> ]	Max. airflow [m <sup>3</sup> /min] [CFM]	Max. static pressure [Pa] [inchH <sub>2</sub> O]	SPL [dB (A)]	Operating temperature [°C]	Expected life [h]
40 × 40 × 56 mm	9CRA0412K501	Plastic	12	10.8 to 12.6	1.8	21.6	17000 13000	0.95 33.5	650 2.61	65	-20 to +60	40000
80 × 80 × 80 mm	9CR0812S801	Plastic	12	10.8 to 13.2	5.5	66.0	8000 5300	4.53 160	520 2.09	71	-10 to +60	40000
80 × 80 × 80 mm	9CR0812H801	Plastic	12	10.8 to 13.2	3.6	43.2	7000 4600	3.97 140	400 1.61	68	-10 to +60	40000

Size	Model no.	Frame material	Rated voltage [V]	PWM frequency [kHz]	Rated current [A]	Rated speed [min <sup>-1</sup> ]		Max. airflow [m <sup>3</sup> /min] [CFM]	Max. static pressure [Pa] [inchH <sub>2</sub> O]	SPL [dB (A)]	Expected Life [h]
						Duty cycle 0%	Duty cycle 100%				
60 × 60 × 76 mm	9CR0612P0S03	Plastic	12	25.0	3.2	Inlet: 1300 Outlet: 800	Inlet: 11500 Outlet: 7000	2.26 79.8	550 2.21	66	40000
	9CR0612P0H03	Plastic	12	25.0	2.7	Inlet: 1200 Outlet: 800	Inlet: 10300 Outlet: 6500	1.98 69.91	450 1.81	64	40000
80 × 80 × 80 mm	9CR0848P8S03	Plastic	48	25.0	1.29	Inlet: 2000 Outlet: 1300	Inlet: 8000 Outlet: 5300	4.53 159.95	520 2.09	71	40000

Size	Model no.	Frame material	Rated voltage [V]	Operating voltage range [V]	PWM duty cycle* [%]	Rated current [A]	Rated input [W]	Rated speed [min <sup>-1</sup> ]		Max. airflow [m <sup>3</sup> /min] [CFM]	Max. static pressure [Pa] [inchH <sub>2</sub> O]	SPL [dB (A)]	Operating temperature [°C]	Expected life [h]
								Inlet	Outlet					
40 × 40 × 56 mm	9CRB0412P5S201	Plastic	12	10.8 to 13.2	100	1.4	16.8	22000	19700	0.9 31.8	1045 4.197	68	-20 to +70	40000
								0	0.09	1.08	3800	3500	0.15 5.3	31 0.124
40 × 40 × 56 mm	9CRB0412P5K001	Plastic	12	10.8 to 13.2	100	0.88	10.56	19000	17000	0.76 26.83	730 2.93	62	-20 to +70	40000
								0	0.11	1.32	5700	5100	0.21 7.41	67 0.26
40 × 40 × 56 mm	9CRB0412P5J201	Plastic	12	10.8 to 13.2	100	0.72	8.64	17300	16000	0.71 25.1	650 2.61	61	-20 to +70	40000
								0	0.07	0.84	3450	3200	0.13 4.59	26 0.1

\* PWM frequency: 25 kHz

## Splash Proof Fan

Size	Model no.	Frame material	Rated voltage [V]	Operating voltage range [V]	Rated current [A]	Rated input [W]	Rated speed [min <sup>-1</sup> ]	Max. airflow [m <sup>3</sup> /min] [CFM]	Max. static pressure [Pa] [inchH <sub>2</sub> O]	SPL [dB (A)]	Operating temperature [°C]	Expected life [h]
80 × 80 × 25 mm	9WS0812H401	Plastics	12	10.2 to 13.8	0.16	1.92	3100	0.94 33.2	45.1 0.181	32	-20 to +70	40000/60°C
80 × 80 × 25 mm	9WS0812F401	Plastics	12	10.2 to 13.8	0.13	1.56	2700	0.83 29.3	34.3 0.138	28	-20 to +70	40000/60°C
80 × 80 × 25 mm	9WS0812M401	Plastics	12	10.2 to 13.8	0.1	1.2	2200	0.65 23.0	23.5 0.094	23	-20 to +70	40000/60°C
80 × 80 × 25 mm	9WS0824H401	Plastics	24	20.4 to 27.6	0.09	2.16	3100	0.94 33.2	45.1 0.181	32	-20 to +70	40000/60°C
80 × 80 × 25 mm	9WS0824F401	Plastics	24	20.4 to 27.6	0.07	1.68	2700	0.83 29.3	34.3 0.138	28	-20 to +70	40000/60°C
80 × 80 × 25 mm	9WS0824M401	Plastics	24	20.4 to 27.6	0.05	1.2	2200	0.65 23.0	23.5 0.094	23	-20 to +70	40000/60°C
92 × 92 × 25 mm	9WS0912H401	Plastics	12	10.2 to 13.8	0.17	2.04	2850	1.38 48.7	45.1 0.181	33	-20 to +70	40000/60°C
92 × 92 × 25 mm	9WS0912F401	Plastics	12	10.2 to 13.8	0.13	1.56	2450	1.18 41.7	32.3 0.13	30	-20 to +70	40000/60°C
92 × 92 × 25 mm	9WS0912M401	Plastics	12	10.2 to 13.8	0.1	1.2	2100	1.01 35.7	23.5 0.094	27	-20 to +70	40000/60°C
92 × 92 × 25 mm	9WS0912L401	Plastics	12	10.2 to 13.8	0.06	0.72	1700	0.8 28.2	16.7 0.067	23	-20 to +70	40000/60°C
92 × 92 × 25 mm	9WS0924H401	Plastics	24	20.4 to 27.6	0.1	2.4	2850	1.38 48.7	45.1 0.181	33	-20 to +70	40000/60°C
92 × 92 × 25 mm	9WS0924F401	Plastics	24	20.4 to 27.6	0.07	1.68	2450	1.18 41.7	32.3 0.13	30	-20 to +70	40000/60°C
92 × 92 × 25 mm	9WS0924M401	Plastics	24	20.4 to 27.6	0.06	1.44	2100	1.01 35.7	23.5 0.094	27	-20 to +70	40000/60°C
92 × 92 × 25 mm	9WS0924L401	Plastics	24	20.4 to 27.6	0.05	1.2	1700	0.8 28.2	16.7 0.067	23	-20 to +70	40000/60°C

## Long Life Fan

Size	Model no.	Frame material	Rated voltage [V]	Operating voltage range [V]	Rated current [A]	Rated input [W]	Rated speed [min <sup>-1</sup> ]	Max. airflow [m <sup>3</sup> /min] [CFM]	Max. static pressure [Pa] [inchH <sub>2</sub> O]	SPL [dB (A)]	Operating temperature [°C]	Expected life [h]
60 × 60 × 25 mm	109L0612G401	Aluminum	12	10.2 to 13.8	0.24	2.88	5600	0.78 27.5	87.3 0.35	39	-20 to +70	100000
60 × 60 × 25 mm	109L0612S401	Aluminum	12	10.2 to 13.8	0.17	2.04	4600	0.65 23.0	56.8 0.228	33	-20 to +70	100000
60 × 60 × 25 mm	109L0612H401	Aluminum	12	10.2 to 13.8	0.11	1.32	3800	0.53 18.7	40.2 0.161	28	-20 to +70	100000
60 × 60 × 25 mm	109L0612F401	Aluminum	12	10.2 to 13.8	0.09	1.08	3200	0.44 15.5	29.4 0.118	24	-20 to +70	100000
60 × 60 × 25 mm	109L0612M401	Aluminum	12	10.2 to 13.8	0.06	0.72	2600	0.36 12.7	19.6 0.079	20	-20 to +70	100000
60 × 60 × 25 mm	109L0624D401	Aluminum	24	20.4 to 27.6	0.12	2.88	5150	0.72 25.4	73.8 0.296	37	-20 to +70	100000
60 × 60 × 25 mm	109L0624S401	Aluminum	24	20.4 to 27.6	0.08	1.92	4600	0.65 23.0	56.8 0.23	33	-20 to +70	100000
60 × 60 × 25 mm	109L0624H401	Aluminum	24	20.4 to 27.6	0.06	1.44	3800	0.53 18.7	40.2 0.161	28	-20 to +70	100000
60 × 60 × 25 mm	109L0624F401	Aluminum	24	20.4 to 27.6	0.05	1.2	3200	0.44 15.5	29.4 0.118	24	-20 to +70	100000
60 × 60 × 25 mm	109L0624M401	Aluminum	24	20.4 to 27.6	0.04	0.96	2600	0.36 12.7	19.6 0.079	20	-20 to +70	100000
60 × 60 × 25 mm	109L0648G401	Aluminum	48	40.8 to 55.2	0.07	3.36	5600	0.78 27.5	87.3 0.35	39	-20 to +60	80000
60 × 60 × 25 mm	109L0648H401	Aluminum	48	40 to 53	0.04	1.92	3800	0.53 18.7	40.2 0.161	28	-20 to +70	100000

## Blower

Size	Model no.	Frame material	Rated voltage [V]	Operating voltage range [V]	Rated current [A]	Rated input [W]	Rated speed [min <sup>-1</sup> ]	Max. airflow [m <sup>3</sup> /min] [CFM]	Max. static pressure [Pa] [inchH <sub>2</sub> O]	SPL [dB (A)]	Operating temperature [°C]	Expected life [h]
120 × 32 mm	109BF12HC2	Plastic	12	10.2 to 13.8	0.6	7.2	2400	0.78 27.5	175.4 0.704	52	-20 to +60	40000
120 × 32 mm	109BF12MC2	Plastic	12	10.2 to 13.8	0.32	3.84	1900	0.61 21.5	109.8 0.441	44	-20 to +60	40000
120 × 32 mm	109BF24HC2	Plastic	24	20.4 to 27.6	0.3	7.2	2400	0.78 27.5	175.4 0.704	52	-20 to +60	40000
120 × 32 mm	109BF24MC2	Plastic	24	20.4 to 27.6	0.16	3.84	1900	0.61 21.5	109.8 0.441	44	-20 to +60	40000

• Storage temperature is -30 to +70°C.

**ARGENTINA****Digi-Key Electronics**

TEL: +1 218 681 7979 FAX: +1 218 681 3380 COOLING

**AUSTRALIA****BRAEMAC PTY LTD**

1/59-61 Burrows Road, Alexandria NSW 2015, Australia

TEL: +61 2 9550 6600 FAX: +61 2 9550 6377 COOLING UPS SERVO

**AUSTRALIA****Avnet Electronics Marketing Asia Sydney (NSW)**

9B, 9-11 South Street, Rydalmere NSW 2116, Australia

TEL: +61 2 9585 5511 FAX: +61 2 9585 5519 COOLING

**AUSTRALIA****Arwon Solutions PTY LTD**

17a Dennis Street Cambellfield Vic 3061, Australia

TEL: +61 3 9308 9085 FAX: +61 3 9308 8644 COOLING SERVO

**AUSTRALIA****Aldus-Tronics PTY LTD**

41-43 Lakeside Drive, Broadmeadows Vic 3047, Australia

TEL: 61 (0)3 9355 2300 FAX: +61 3 9464 2538 COOLING SERVO

**AUSTRALIA****Quadrep Representative Office (Australia & New Zealand)**

Suit 5, 242 Hawthorn Rd, Caulfield, VIC 3161, Australia

TEL: +61(0)414 953284 COOLING UPS SERVO

**BELGIUM****SERVOTRONIC BVBA**

Harmonielaan 2, 2960 Brecht, Belgium

TEL: +32 3 326 4666 FAX: +32 3 326 1393 COOLING SERVO

**BRAZIL****Digi-Key Electronics**

TEL: +1 218 681 7979 FAX: +1 218 681 3380 COOLING

**CANADA****Arrow Electronics, Inc.**

Please see locations at:

[https://www.arrow.com/en/support/contact-support/find-an-arrow-office?country=CA\\_Offices](https://www.arrow.com/en/support/contact-support/find-an-arrow-office?country=CA_Offices)

TEL: +1 855 326 4757 COOLING

**CANADA****Digi-Key Electronics**

TEL: +1 800 344 4539 or +1 218 681 6674 FAX: +1 218 681 3380 COOLING

**CANADA****Marsh Electronics, Inc.**

TEL: +1 800 926 2774 FAX: +1 414 771 2847 COOLING

**CANADA****Mouser Electronics, Inc.**

137 Glasgow Street, Unit 475 A, Kitchener, Ontario N2G 4X8, Canada

TEL: +1 800 346 6873 FAX: +1 519 570 2668 COOLING

**CANADA****PUI (Projections Unlimited, Inc.)**

TEL: +1 800 551 4405 FAX: +1 949 789 0318 COOLING

**CANADA****Sager Electronics, Inc.**

200 Matheson Blvd. West, Suite 105, Mississauga, Ontario L5R 3L7 Canada

TEL: +1 800 724 3780 FAX: +1 508 923 5932 COOLING SERVO

**CANADA****Tonar Industries**

TEL: +1 800 568 6627 FAX: +1 973 586 2075 COOLING

**CANADA****Epic Technical Sales, Inc.**

1925 18th Avenue NE, Suite 115, Calgary, AB T2E 7T8, Canada

TEL: +1 403 769 1881 FAX: +1 403 769 1981 COOLING

**CANADA****Pipe-Thompson Technologies Inc.**

1100 Burloak Drive, Suite 300 Burlington, Ontario, Canada L7L 6B2, Canada

TEL: +1 905 332 2758 COOLING

**CANADA****COWPER, INC**

677-7E Avenue Lachine, Montreal, QUE, Canada

TEL: +1 514 637 6746 FAX: +1 514 637 5055 SERVO

**CANADA****Carlton-Bates Company**

TEL: +1 866 600 6040 COOLING

**CANADA****Systems de Support Informatique RL, Inc.**

1340 Beaulac Ville St- Laurent, QC R4R 1R7, Canada

TEL: +1 514 333 3234 UPS

**CANADA****Vitalsine, Inc.**

900 Windmill Road Unit #303 Dartmouth, NS B3B 1P7, Canada

TEL: +1 902 440 2509 FAX: +1 902 835 4530 UPS

**CHINA****SHANGHAI TANGYUAN ELECTRONICS COMPONENTS TECH CO.,LTD.****上海湯源電子科技有限公司**

Room 417, Building A, No.7001 ZhongChun Road, MingGu Technical Park, Shanghai, China

TEL: +86 21 54796300/+86 21 54462301 FAX: +86 21 54728933 COOLING UPS SERVO

**CHINA****SHANGHAI GO-WELL ELECTRICAL TECHNOLOGY CO.,LTD.****上海高威科电气技术有限公司**

6th Floor, No.173, Jiangchang 3rd Road, Zhabei District, Shanghai, 200436, China

TEL: +86 21 6630 0101 FAX: +86 21 5080 2962 COOLING UPS SERVO

**CHINA****Shanghai Comtech Automation System Co.,Ltd**

Rm.604, Golden Magnolia Plaza, No.1 Dapu Road Shanghai 200023, China

TEL: +86 21 63900088 FAX: +86 21 53850872/73 COOLING UPS SERVO

**CHINA****BEIJING GO-WELL YANGHAI ELECTRICAL TECHNOLOGY CO., LTD.****北京高威洋海电气技术有限公司**

Room 1106, Weixing Building, No.63, Zhichun Road, Haidian District, Beijing 100190, China

TEL: +86 10 8286 7980 FAX: +86 10 8286 7987 COOLING UPS SERVO

**CHINA****MELCO INDUSTRIAL SUPPLIES (SHANGHAI) CO., LTD.****美高工業器材(上海)有限公司**

Flat B, 9/F, DaTong Commercial Tower, No.369 FuXing Road Central, Shanghai 200025, China

TEL: +86 21 6320 1250 FAX: +86 21 6320 0079 COOLING UPS SERVO

**CHINA****GZ Melco Industrial Supplies Co.,Ltd****广州市美高工业器材有限公司**

广州市番禺区大石街石北工业路684号巨大创意产业园12栋西塔717室

TEL: +86 20 8326 6170 FAX: +86 20 8326 6180 COOLING UPS SERVO

**CHINA****SHEN SING COMPANY LIMITED (Wu Xi Office)**

18th floor, Unit H, Wah Kwong Building, 333 Zhong Shan Road, Wu Xi, Jian Su, China, 214001

TEL: +86 510 8273 8091 FAX: +86 510 8276 3243 COOLING UPS SERVO

**CHINA****SHANGHAI LVMAC INTERNATIONAL TRADE CO.,LTD****上海律瑪科國際貿易有限公司**

Room 203, Unit 1, No. 333 HongQiao Road, Xuhui District, Shanghai-200030, China

TEL: +86 21 6432 6969 FAX: +86 86 21 6432 5092 COOLING UPS SERVO

**CHINA****QuadRep Electronics CO., Ltd (Shanghai)****上海旭谷國際貿易有限公司**

Room 707, Block A, Lane 547, West Tian Mu Rd, Shanghai, 200070, China

TEL: +86 21 6317 5445 FAX: +86 21 6317 6042 COOLING UPS SERVO

**CHINA****SHANGHAI AL-CHARM INTERNATIONAL TRADING CO.,LTD.**

Unit 1303 Haisen International Mansion, No.1 Lane 829, Wanhang Du Road Shanghai, 200042, China

TEL: +86 21 6232 5024/21 6232 5025/21 6232 5026/21 6232 5027 FAX: +86 21 6232 5023 COOLING UPS SERVO

**CHINA****ZhanXu Electronic Technologoy Co., Ltd.****昆山展旭電子科技有限公司**

No.18, Xinyang Road, Zhangpu Town, Kunshan, Jiangsu, China

TEL: +86 512 5035 7819 FAX: +86 512 5035 7819 COOLING UPS SERVO

**CHINA****TianJin Ringbert Trading International Co.,Ltd**

Room 618, Hua Ying Mansion, Central Avenue, Airport Free Trade Zone, Tianjin, China

TEL: +86 22 8490 6916 FAX: +86 22 8725 0855 COOLING UPS SERVO

**CHINA****Guangzhou Knowhow Automation Technology Co.,Ltd****广州朗豪自动化科技有限公司**

广州市番禺区大石街石北工业路丰晟工业园G栋二楼东

TEL: +86 20 8737 0307 FAX: +86 20 8737 0501 COOLING UPS SERVO

**CHINA****GUANGZHOU GO-WELL ELECTRICAL TECHNOLOGY CO.,LTD.****广州高威科电气技术有限公司**

2001, Huaxin Center, 450 Huanshi East Rd, Guangzhou, Guangdong, 510075, China

TEL: +86 20 2226 3940 FAX: +86 20 2226 3947 COOLING UPS SERVO

**CHINA****Beijing Affluent Connection Technology Co.,Ltd****北京豐裕聯恒科技有限公司**

北京市朝陽區望京東園四區綠地中心504室

TEL: +86 10 84364529 /139 1058 7268 FAX: +86 10 84364529 COOLING UPS SERVO

**CHINA****Shenzhen Hirowind Technology Co.,Ltd**

深圳海诺伟德科技有限公司

深圳市宝安区西乡大道 288 号宝源华丰总部经济大厦 B 座 303 室

TEL: +86 755 2685 9975 FAX: +86 755 2685 9977

COOLING UPS SERVO

**CHINA****Capital Technology Co., Ltd.**No 2,3/F, Changpin, Honghua Road, 99 Futian Free Trade Zone, Shenzhen, China  
Shenzhen, China

TEL: +86 755 2783 7331 / 2302 9006 FAX: +86 755 230 76120

COOLING UPS SERVO

**CHINA****ARROW ELECTRONICS(SHENZHEN) CO., LTD.**

No 2,3/F, Changpin, Honghua Road, 99 Futian Free Trade Zone, Shenzhen, China

TEL: +86 755 8250 5310 FAX: +86 755 8250 5311

COOLING UPS SERVO

**CHINA****Shenzhen Sunet Industry Co.,Ltd**

深圳市湘聚实业有限公司

深圳市南山区沿山路胜发大厦 A 栋三楼

TEL: +86 755 2689 1790 FAX: +86 755 2689 1794

COOLING UPS SERVO

**CHINA****Fantastic Technology Co., Ltd.**

深圳市凯荣亚科技有限公司

深圳市龙岗区布吉镇南湾街道平吉大道金科路金积嘉科技园 1 栋 501 室

TEL: +86 755 2682 2456 FAX: +86 755 2682 2456

COOLING UPS SERVO

**CHINA****Dongguan HOTECH Automation Equipment Co.,Ltd**

东莞浩洋自动化设备有限公司

东莞市宏图路高盛科技大厦 1101 室

TEL: +86 769 89300113 FAX: +86 769 81181876

COOLING UPS SERVO

**CHINA****Nanjing SADE Auto Equipment Co.,Ltd**

南京三迪自动化设备有限公司

南京市秦淮区御道街 29 号 D 楼 108 室

TEL: +86 25 84890636/84891028/84490028

FAX: +86 25 84890635

COOLING UPS SERVO

**CHINA****UNION BEST MOTOR(SHENZHEN)CO.,LTD.**

深圳市富兴洋电机有限公司

深圳市南山区西丽街道丽山路 65 号民企科技园第二栋厂房五楼西 506

TEL: +86 755 2510 8789/2510 9856 FAX: +86 755 2510 1686

COOLING UPS SERVO

**CHINA****Shenzhen QIANHAI RUID Science &Technology CO.,LTD**

深圳市前海睿德科技有限公司

深圳宝安区西乡大道华源商务中心 601 室

TEL: +86 755 2332 7569 FAX: +86 755 2791 8003

COOLING UPS SERVO

**CHINA****Shenzhen Shidaqian Technology Co., Ltd**

深圳市时大芊科技有限公司

深圳市福田区彩田路彩福大厦鸿福阁 A 座 12G

TEL: +86 755 8318 0960 FAX: +86 755 8318 0961

COOLING UPS SERVO

**CHINA****Shenzhen Zhirong Machinery Science and Technology CO.,LTD**

深圳市智荣机械科技有限公司

深圳市宝安区沙井先科隆大厦 703-711 号

TEL: +86 755 6111 1040 FAX: +86 755 6111 1036

COOLING UPS SERVO

**CHINA****Shenzhen Rui Jing Feng Industrial Co., Ltd**

深圳市瑞景丰实业有限公司

深圳市龙华新区大浪河背工业区振滢泰工业园 1 栋 1 楼

TEL: +86 755 2811 8565 FAX: +86 755 2811 6101

COOLING UPS SERVO

**CHINA****YAMAZEN(SHENZHEN)TRADING CO.,LTD**

山善(深圳)贸易有限公司

深圳市福田区彩田路 7018 号新浩壹都 A 座 6 楼

TEL: +86 755 8280 5000 FAX: +86 755 82805100

COOLING UPS SERVO

**CHINA****Cheng Du Zheng Hao Automation Equipment CO., LTD**

成都正豪自动化设备有限公司

成都市青羊区光华东三路 486 号中铁西城三栋 1108 室

TEL: +86 28 8778 3845 FAX: +86 28 8778 3847

COOLING UPS SERVO

**CHINA****Beijing Jekmotion Science and Technology Co.,LTD**

捷科运控(北京)科技有限公司

北京市海淀区大柳树富海中心 2 号楼 1102 室

TEL: +86 10 6216 8098 FAX: +86 10 6216 8098

COOLING UPS SERVO

**CHINA****Jinsong (Tianjin) Automation Technology co.,LTD**

津松(天津)自动化科技有限公司

天津滨海高新区花苑产业区(环外)海泰创新六路 2 号 16 号楼 -2-401-2B

TEL: +86 22 2386 8035 FAX: +86 22 2386 8035

COOLING UPS SERVO

**CHINA****YAMAZEN SHANGHAI TRADING CO.,LTD CHONGQING OFFICE**

山善(上海)贸易有限公司 重庆分公司

重庆市渝北区金州大道 42 号力帆红星国际广场 B2 栋 18 楼

TEL: +86 23 6308 2799 FAX: +86 23 6308 2711

COOLING UPS SERVO

**CHINA****CHENGDU DEN SAN TECHNOLOGY CO.,LTD**

成都电产科技有限公司

四川省成都市青羊区上池北街 2 号农资大厦 703

TEL: +86 28 8615 2408 180 0809 7918

COOLING UPS SERVO

**CZECH REPUBLIC****ENIKA spol. s.r.o.**

Vlkov 33, Nova Paka Pod Harfou 933/86 190 00 Praha 9, Czech Republic

TEL: +420 493 77 33 11 FAX: +420 493 77 33 22

COOLING SERVO

**DENMARK****WEXO E A/S**

Lejrvej 31 3500 Vaerlose, Denmark

TEL: +45 4485 0485 FAX: +45 4494 9989

COOLING SERVO

**EGYPT****PONT EGYPT**

4, Aiashwal Street, End of Al Haram Street Giza, Egypt

TEL: +20 2 374 18247 FAX: +202 374 18108

SERVO

**EGYPT****EGYELECTRONICS**

58 Abd El Hameid Gouda Al Sahara St. Section Six Zahraa El Maadi, Egypt

TEL: +202 275 15108 FAX: +202 275 15108

COOLING

**FINLAND****WEXON OY**

Turvekuja 6 FL-00700 Helsinki, Finland

TEL: +358 9 290 440 FAX: +358 9 290 44100

COOLING SERVO

**FRANCE****A.E. SERVICE**

Parc Activite du Cret de Mars, 42150 La Ricamarie, France

TEL: +33 04 77 41 21 47 FAX: +33 04 77 25 80 29

COOLING

**FRANCE****AUBE Electronique**

ZAC de l'écluse des Marots 10800 Saint Thibault, France

TEL: +33 03 25 40 44 41 FAX: +33 03 25 40 44 42

COOLING SERVO

**GERMANY****Avnet EMG GmbH**

Gaussstrasse 10 31275 Lehrte, Germany

TEL: +49 5132 5099 0 FAX: +49 5132 5099 76

COOLING

**GERMANY****Telemeter Electronic GmbH**

Joseph-Gaensler-strasse 10, 86609 Donauwoerth, Germany

TEL: +49 906 706 93 0 FAX: +49 906 706 93 50

COOLING SERVO

**GERMANY****R.T.A. Deutschland GmbH**

Bublitzer Strasse 34, 40599 Duesseldorf, Germany

TEL: +49 211 74966860 FAX: +49 211 74966866

SERVO

**GERMANY****MJC Elektrotechnik GmbH**

Am Gielbrunnen 17, 67304 Eisenberg, Germany

TEL: +49 63 51 12767 0 FAX: +49 63 51 12767 50

COOLING SERVO

**GERMANY****Tronic One Holding GmbH & Co KG**

Leverkusenstraße 3, 22761 Hamburg, Germany

TEL: +49 8104 90951 0 FAX: +49 8104 90951 69

COOLING

**HONGKONG****Melco Industrial Supplies Co., Ltd.**

10th Floor, Biliion Plaza 2, No.10 Cheung Yue Street, Cheung Sha Wan, Kowloon, Hong Kong

TEL: +852 2386 7881 FAX: +852 2387 4057

COOLING UPS SERVO

**HUNGARY****Q-TECH Engineering Ltd. & Co.**

Batthyany Lajos U. 8., 1161 Budapest, Hungary

TEL: +36 14 053 338 FAX: +36 14 059 134

SERVO

**INDIA****System Controls Technology Solutions Pvt.Ltd.**

#73/B, Keonics Industrial Estate, Electronic City, Bangalore - 560 100, India

TEL: +91 80 40820400,144,405,406 FAX: +91 80 40820426

COOLING SERVO


## INDIA

**Flexible Automation System PVT. LTD**

No.620, 1st Floor, 50th Cross, 3rd Block Rajaji Nagar, Bangalore 560010, India  
TEL: +91 80 4113 9388  


## INDIA

**Strategi Automation Solutions Pvt. Ltd.**

Plot No.25/B, Doddanakundi Iddl Estate, Off Whitefield Road Behind Graphite India, Bangalore-560048, India  
TEL: +91 80 32489798 FAX: +91 80 41163047  



## INDIA

**Arrow Electronics India Pvt. Ltd.**

Fortune Summit, Ward No.174, 6th Sector, HSR Layout, Roopena Agrahara, Bangalore - 560 068, India  
TEL: +91 80 41353800 FAX: +91 80 41127784 

## INDIA

**Global Technocrats Inc.**

302, Gupta Tower II, G-33, Vikas Puri, New Delhi-110018, India  
TEL: +91 12 42386745 FAX: +91 11 28542884  


## INDIA

**ITP Electronics Pvt. Ltd.**

27, Electronic City, Sector-18, Gurgaon-122016 (Haryana), India  
TEL: +91 12 44 013646 



## INDONESIA

**PT. TOKAI ELECTRONICS INDONESIA**

BEFA Square Unit 3-J Lantai 3 Jalan Kalimantan Kawasan Industri MM2100 Gandasari Cikarang Barat KAB. Bekasi Jawa Barat 17530, Indonesia  
TEL: +62 21 8980719 

## INDONESIA

**PT. DIFA DAYA SELARAS**

Jln. Palmerah Utara II No.5 Jakarta 11480, Indonesia  
TEL: +62 21 536 64151 FAX: +62 21 536 52576  



## INDONESIA

**PT. Prasindo Agung Mandiri**

Jl. Alfallah No.18C, Cililitan Besar Raya-Jakarta 13650, Indonesia  
TEL: +62 8088 8802  



## ISRAEL

**CONLOG Ltd**

Intergreen Building, POB 3265, 17 Hamefalsim Street., 49130 Petah Tikva, Israel  
TEL: +972 3 9269555 FAX: +972 3 9233367  



## ISRAEL

**ELECTRONDART**

9 Ben Zion Gellis Street, 4927909 Petah Tikva, Israel  
TEL: +972 39314447 FAX: +972 39302867  


## ISRAEL

**Radion Engineering Co. Ltd.**

11 Ha'sivim St. P.O.B 7111 Petah-Tikvah 4959372, Israel  
TEL: +972 3 9226688 FAX: +972 3 9226655  


## ISRAEL

**Transelectric**

27 Shaked St, HevelModi'in Industrial Park, 7319900, Israel  
TEL: +972 73 2336600 FAX: +972 73 2336601 

## ISRAEL

**E-TECH AUTOMATION IN MOTION LTD.**

11 Amal st. Afek Industary zone Rosh -Haain 4809239, Israel  
TEL: +972 73 7374420 FAX: +972 73 7374415 


## ITALY

**R.T.A. s.r.l.**

Frazione Divisa Via Enrico Mattei 27020 Marcignago PV, Italy  
TEL: +39 0382 929 855 FAX: +39 0382 929 150  

## KOREA

**HY TECH CO., LTD. (former HAN YANG CORP.)**

#1110 Renaissance Tower, 14, Manlijae-ro, Mapo-gu, Seoul, 04195, Korea  
TEL: +82 2 713 4343 FAX: +82 2 713 4332   




## KOREA

**SAMHWA YANGHENG CO., LTD.**

#1204, ACE High-end Tower 3rd, 145, Gasan digital 1-ro, Geumcheon-gu, Seoul, 08506, Korea  
TEL: +82 2 716 4763 FAX: +82 2 718 1873   




## KOREA

**TPC MECHATRONICS CORP.**

39, Gabmun 2-ro, Seo-gu, Incheon, 22849, Korea  
TEL: +82 32 580 0016 FAX: +82 32 578 0768   

## KOREA

**TELCOM ICP CO., LTD.**

5F, Telcom B/D, 76, Seocho-daero, Seocho-gu, Seoul, 06673, Korea  
TEL: +82 2 3474 9449 FAX: +82 2 3473 9449   




## KOREA

**INTERDEVICE Co., Ltd.**

Rm.804, Ace Gwangmyeong Tower, 108, Haan-ro, Gwangmyeong-si, Gyeonggi-do, 14319, Korea  
TEL: +82 2 897 7781 FAX: +82 2 6280 1117   

## KOREA

**M.E.T CO., LTD.**

46, Techno 11-ro, Yuseong-gu, Daejeon, 34036, Korea  
TEL: +82 42 934 8257 FAX: +82 42 934 8260   


## LITHUANIA

**INOBAIT UAB**

Vilhelmo Berbomo Street 10-310 92221 klaipeda, Lithuania  
TEL: +370 6122 2499  



## MALAYSIA

**Flexible Automation System Sdn Bhd (Kuala Lumpur)**

60, Jalan USJ10/1B, 47620 UEP Subang Jaya, Selangor, Malaysia  
TEL: +60 03 5633 1280 FAX: +60 03 5633 6613 

## MALAYSIA

**iMS Motion Solution (Penang) Sdn Bhd.**

312-E, Jalan Perak, 11600 Pulau Pinang, Malaysia  
TEL: +60 4 281 0678 FAX: +60 4 281 1218  

## MALAYSIA

**iMS Motion Solution (Johor) Sdn Bhd.**

No.7, Jalan Sasa 4, Taman Gaya, 81800 Ulu Tiram, Johor Bahru, Johor, Malaysia  
TEL: +60 7 863 5240 FAX: +60 7 863 7240  

## MALAYSIA

**QuadRep Malaysia Sdn Bhd**

570C 3rd Flr, Jalan Sultan Azlan Shah, Sungai Nibong, Penang 11900, Malaysia  
TEL: +604 6581771 FAX: +604 6582771  


## MEXICO

**Arrow Electronics, Inc.**

Please see locations at;  
[https://www.arrow.com/en/support/contact-support/find-an-arrow-office?country=MX\\_Offices](https://www.arrow.com/en/support/contact-support/find-an-arrow-office?country=MX_Offices)  
TEL: +1 855 326 4757 


## MEXICO

**Digi-Key Electronics**

TEL: +1 888 598 1476 FAX: +1 218 681 3380 

## MEXICO

**Marsh Electronics, Inc.**

TEL: +1 800 926 2774 FAX: +1 414 771 2847 


## MEXICO

**Mouser Electronics, Inc.**

Av. Moctezuma #3515 Local 5-C Col. Ciudad del Sol, Zapopan, Jalisco, CP 45050, Mexico  
TEL: +52 33 3612 7301 FAX: +52 33 3612 7356 



## MEXICO

**PUI (Projections Unlimited, Inc.)**

TEL: +1 800 551 4405 FAX: +1 949 789 0318 


## MEXICO

**Sager Electronics, Inc.**

TEL: +1 800 724 3780 FAX: +1 972 312 1823  


## MEXICO

**Tonar Industries**

TEL: +1 800 568 6627 FAX: +1 973 586 2075 


## MEXICO

**Fastech México SA de CV**

Ontario #1791-9 Col. Colomos Providencia Guadalajara, Jalisco CP 44660, Mexico  
TEL: +52 33 36 41 50 51/52 




## MEXICO

**Carlton-Bates Company**

TEL: +1 866 600 6040 


## MOROCCO

**EL JAOUHARY ELECTRICITE**

Secteur 11 Bloc 13 N°186 Hay Salam, 11000 Sale, Morocco  
TEL: +212 537 808 087 FAX: +212 537 812 665   

## NETHERLANDS

**TOP-ELECTRONICS BV**

Postbus 439, 2920 AK Krimpen aan den IJssel, The Netherlands  
TEL: +31 180 580 492 



## NEW ZEALAND

**Quadrep Representative Office (Australia & New Zealand)**



Suit 5, 242 Hawthorn Rd, Caulfield, VIC 3161, Australia  
TEL: +61(0)414 953284   

## POLAND

**SEMICON Sp. z o.o.**

Ul. Zwolenska 43/43A, 04-761 Warszawa, Poland  
TEL: +48 22 615 73 71 FAX: +48 22 615 73 75  



**POLAND****Transfer Multisort Elektronik Sp. z o.o.**

Ustronna 41, 93-350 Łódź, Poland  
 TEL: +48 42 645 55 55 FAX: +48 42 645 55 00  


**PORTUGAL  
PROSISTAV**

Zona Industrial da Mota, RUA 7 Lte 6 A, Gafanha da Encarnacao, 3830-527 Ilhavo, Portugal  
 TEL: +351 234 397 210 FAX: +351 234 397 219  




**RUSSIA****WEXON 000**

192236, St. Petersburg Sofiyskaya ul., 14 Russia  
 TEL: +7 812 3266503 FAX: +7 812 3266504  

**SAUDI ARABIA****DESERT DIAMOND EST. FOR TRADING**

PO Box 29869 Riyadh-11467, Kingdom of Saudi Arabia  
 TEL: +966 11 2791588 FAX: +966 11 2931254 

**SINGAPORE****NEMATRON CONTROL SYSTEM (ASIA) PTE LTD**

209 Henderson Road #01-06 Henderson Ind. Park Singapore 159551, Singapore  
 TEL: +65 6278 3289 FAX: +65 6278 8372   

**SINGAPORE****QuadRep Marketing (S) Pte Ltd.**

9 Kaki Bukit Road 1, #03-09 Eunos Technolink, Singapore 415938, Singapore  
 TEL: +65 6346 1933 FAX: +65 6346 1911  


**SINGAPORE****PBA Systems Pte Ltd**

505 Yishun Industrial Park A, PBA Building, Singapore 768733, Singapore  
 TEL: +65 6576 6767 FAX: +65 6576 6768  

**SINGAPORE****I-Motion Pte Ltd**

Blk 15, #05-04 Toa Payoh Lor 8 Braddell Tech, Singapore 319262, Singapore  
 TEL: +65 6841 7877 FAX: +65 6280 3655  


**SINGAPORE****Tokai Electronics (S) Pte. Ltd.**

10 Anson Road #14-17 International Plaza Singapore 079903, Singapore  
 TEL: +65 6224 7796 


**SINGAPORE****Avnet Asia Pte Ltd**

151 Lorong Chuan #06-03 New Tech Park Singapore 556741, Singapore  
 TEL: +65 6580 4720 FAX: +65 6580 6200 

**SLOVENIA****L.C.R. d.o.o.**

Hrastovec 1, 1236 Trzin, Slovenia  
 TEL: +386 1 5429910 FAX: +32 3 326 1393 


**SPAIN****DIODE Espana S.A.**

C/ Sierra de Gudarrama 3 Edificio Europa Escalera B, 2ª Planta 28830 San Fernando de Henares Madrid, Spain  
 TEL: +34 91 456 81 00 FAX: +34 91 358 06 07  


**SPAIN****RTA IBERICA**

Callegeneralitat 22, 1º 3º, 8850 Gava (Barcelona), Spain  
 TEL: +34 936 388 805 FAX: +34 936 334 595  


**SWEDEN****OEM Electronics**

PO Box 1025 57329 Tranas, Sweden  
 TEL: +46 75 242 45 00 FAX: +46 75 242 45 09 



**SWEDEN****OEM Motor AB**

Box 1011 57328 Tranas, Sweden  
 TEL: +46 75 242 41 00 FAX: +46 76 242 41 19 




**SWITZERLAND****Telemeter Electronic GmbH**

Romanshonerstrasse 117, 8280 Kreuzlingen, Switzerland  
 TEL: +41 71 699 20 20 FAX: +41 71 699 20 24 




**SWITZERLAND****PowerParts AG**

Schareggstrasse 1, 5506, Maegenwil, Switzerland  
 TEL: +41 62 896 7080 FAX: +41 62 896 7088  

**TAIWAN****YUNG HO CO., LTD.**

5th Floor, 36. Kuan Chien Road, Taipei, Taiwan  
 TEL: +886 2 2311 6561 FAX: +886 2 2311 6469   


**TAIWAN****QuadRep Electronics [Taiwan] Ltd.**

17F, No.79, Hsin Tai Wu Road, Sec.1, Hsi-Chih, New Taipei City, Taiwan  
 TEL: +886 2 2698 9933 FAX: +886 2 2698 9911   




**TAIWAN****SUNHOLY TRADING CO., LTD.**

3F, No.78, Sec 2, Chang An E. Road, Taipei, 104, Taiwan  
 TEL: +886 2 2516 6060 FAX: +886 2 2508 0323   

**TAIWAN****GULF ELECTRICS CO., LTD.**

No.7, Ln. 133, Gushan 1st Rd., Gushan Dist., Kaohsiung City 804, Taiwan  
 TEL: +886 7 521 9966 FAX: +886 7 521 3535 

**THAILAND****Yushi Group Co., Ltd.**

72 Ramintra Road, Minburi, Minburi, Bangkok 10510, Thailand  
 TEL: +66 2 517 0688 FAX: +66 2 517 0863   

**THAILAND****PMC TECHNOLOGY CO., LTD.**

99/359 Moo 5 Tambon Bang Krang, Amphur Muang Nonthaburi, Nonthaburi 11000, Thailand  
 TEL: +66 2 108 6041 FAX: +66 2 108 6044   


**THAILAND****Flexible Automation System Co.,Ltd**

1509 Soi Ladprao 94 (Srivara Town in Town) Wangthonglang, Bangkok 10310, Thailand  
 TEL: +66 2 530 7900 7 FAX: +66 2 530 7908 9   

**THAILAND****QR Electronics (Thailand) Co., Ltd.**

167 Boromratchachonnanee Rd. Kweang. Bangbomru, Khet. Bangplad, Bangkok 10700 Thailand.  
 TEL: +66 81 371 1722 FAX: +66 2 886 6515  


**THAILAND****NITTA (Thailand) Co., Ltd.**

382/7 Moo 1, Bangsathong, Bangsathong, Samutprakarn 10540 Thailand  
 TEL: +66 2 181 7684 FAX: +66 2 181 7685 


**TURKEY****NETA NAKIS VE MAKINA SANAYI TICARET**

Akpınar Mahallesi Süheda Caddesi, No:2 Sancaktepe 34885 Istanbul, Turkey  
 TEL: +90 2163390452  

**TURKEY****LINTEK MAKINA ELEKTRONIK TEKNOLOJILERI**

1348 SOK. N°3/3F Teknik Malzeme, Is Merkezi, Yenisehir, 35110 Izmir, Turkey  
 TEL: +90 232 457 29 40 FAX: +90 232 457 29 55 



**TURKEY****ROBOSAN OTOMAYSON SAN.TIC .LTD**

Bahcelievler Mah. Serpinti Sok. No:6 Pendik 34893 Istanbul, Turkey  
 TEL: +90 216 340 39 70 FAX: +90 216 340 39 64 

**TURKEY****ST TEKNO LTD STI**

Mehmet Akif Mah. Recep Tayyip Erdoğan Blv. No:84Dulkadiroğlu / Kahramanmaraş, Turkey  
 TEL: +90 344 236 0900 FAX: +90 344 236 0706  


**UNITED KINGDOM****EAO LTD.**

Albert Drive, Burgess Hill, West Sussex RH15 9TN, U.K.  
 TEL: +44 01444 23 6000 FAX: +44 01444 23 6641  


**UNITED KINGDOM****ERIKS**

Crakley Way Paertree Industrial Park Dudley, West Midlands DY2 0UW, U.K.  
 TEL: +44 01384246230 FAX: +44 01384246240 


**UNITED KINGDOM****INTELLIGENT AUTOMATION SYSTEMS Ltd**

16 Wood Stock Avenue, UB12QN Southall, Middlesex, U.K.  
 TEL: +44 20 8432 2749 FAX: +44 20 8432 3051 



**USA****Arrow Electronics, Inc.**

9201 E Dry Creek Road, Centennial, CO 80112, U.S.A.  
 Please see other locations at;  
[https://www.arrow.com/en/support/contact-support/find-an-arrow-office?country=US\\_Offices](https://www.arrow.com/en/support/contact-support/find-an-arrow-office?country=US_Offices)  
 TEL: +1 855 326 4757 

**USA****Digi-Key Electronics**

701 Brooks Avenue South, Thief River Falls, MN 56701, U.S.A.  
 TEL: +1 800 344 4539 or +1 218 681 6674 FAX: +1 218 681 3380 

**USA****Marsh Electronics, Inc.**

1563 South 101st Street, Milwaukee, WI 53214, U.S.A.  
 Please see other locations at;  
<https://www.marshelectronics.com/contact-us>  
 TEL: +1 800 926 2774 FAX: +1 414 771 2847  


## USA

**Mouser Electronics, Inc.**

1000 North Main Street, Mansfield, TX 76063, U.S.A.  
Please see other locations at;  
<https://www.mouser.com/Contact/GlobalBranches>  
TEL: +1 800 346 6873 FAX: +1 817 804 3899 



## USA

**PUI (Projections Unlimited, Inc.)**

15311 Barranca Parkway, Irvine, CA 92618, U.S.A.  
Please see other locations at;  
<https://www.shoppui.com/about-us>  
TEL: +1 800 551 4405 FAX: +1 949 789 0318 


## USA

**Sager Electronics, Inc.**

19 Leona Drive, Middleborough, MA 02346, U.S.A.  
Please see other locations at;  
<http://www.sager.com/about-us/locations/>  
TEL: +1 800 724 3780 FAX: +1 508 947 0869  


## USA

**Tonar Industries**

419 Franklin Avenue, Rockaway, NJ 07866, U.S.A.  
Please see other locations at;  
<http://www.tonar.com/contact>  
TEL: +1 800 568 6627 FAX: +1 973 586 2075 


## USA

**Carlberg and Associates**

451 E. Juanita Ave Suite 1, Mesa, AZ 85204, U.S.A.  
TEL: +1 602 616 2655 FAX: +1 480 377 0767 


## USA

**GenTech, Inc.**

4025 NE Lakewood Way, Suite 290, Lee's Summit, MO 64064-1703, U.S.A.  
TEL: +1 816 795 9019 FAX: +1 816 795 0070 


## USA

**Epic Technical Sales, Inc.**

9400 SW Barnes Road, Suite 305, Portland OR 97225, U.S.A.  
TEL: +1 503 292 7922 FAX: +1 503 292 7903 

## USA

**ExisQCI, Inc.**

1570 The Alameda Suite #150, San Jose, CA 95126, U.S.A.  
TEL: +1 408 944 4600 FAX: +1 408 321 3200 


## USA

**Marathon Technical Associates**

1631 Rock Springs Road, PMB 355, Apopka, FL 32712, U.S.A.  
TEL: +1 407 872 5775 


## USA

**Northport Engineering, Inc.**

1355 Mendota Heights Road, Suite 130, Mendota Heights, MN 55120, U.S.A.  
TEL: +1 651 457 8000 FAX: +1 651 457 5603 

## USA

**Pinnacle Marketing, Inc.**

2805 Spring Forest Road, Suite 101, Raleigh, NC 27616-1900, U.S.A.  
TEL: +1 888 764 7640 FAX: +1 888 764 7641 


## USA

**Straube Associates**

7970 South Sheridan Blvd. Ste. C, Westminster, CO 80003, U.S.A.  
TEL: +1 303 426 0890 FAX: +1 303 426 0896 


## USA

**Synergy Sales INC**

16 Hemlock Dr., Neptune, NJ 07753, U.S.A.  
TEL: +1 908 489 7764 FAX: +1 732 823 1907 


## USA

**Tech-Tron Sales, Inc**

1305 Remington Road, Suite L, Schaumburg, IL 60173, U.S.A.  
TEL: +1 847 843 7530 FAX: +1 847 843 0339 


## USA

**My Digital Link, Inc.**

Rochester, NY 14609, U.S.A.  
TEL: +1 585 288 7002 

## USA

**Westrep**

400 N Tustin Avenue Suite #130 Santa Ana, CA 92705, U.S.A.  
TEL: +1 714 527 2822 FAX: +1 714 527 3868 


## USA

**SHEPHERD CONTROLS & ASS., INC.**

203 S. Jupiter Road, Suite A Allen, TX 75002, U.S.A.  
Please see other locations at;  
<http://www.shepherdcontrols.com/>  
TEL: +1 972 727 7300 FAX: +1 972 727 7363 


## USA

**KIM CONTROLS, INC.**

10045 Davenport St. Minneapolis, MN 55449, U.S.A.  
TEL: +1 763 780 2991 FAX: +1 763 780 9449 

## USA

**IOWA FLUID POWER**

1610 Blairs Ferry Road NE, Cedar Rapids, IA 52402, U.S.A.  
Please see other locations at;  
<http://www.iowafuid.com/>  
TEL: +1 800 333 7004 FAX: +1 319 395 7027 


## USA

**AUTOMATION PROCESS & CONTROLS (IL)**

6323 North Avondale Suite 246, Chicago, IL 60631, U.S.A.  
Please see other locations at;  
<http://www.apc-inc.com/>  
TEL: +1 773 763 8090 FAX: +1 773 467 0152 


## USA

**IN-POSITION TECHNOLOGIES**

7403 W. Boston Street Chandler, AZ 85226, U.S.A.  
TEL: +1 480 893 8086 FAX: +1 877 478 3242 


## USA

**TECHREP COMPONENTS, INC.**

25332 Narbonne Avenue, #160 Lomita, CA 90717, U.S.A.  
TEL: +1 310 539 9070 FAX: +1 310 539 0439 


## USA

**Bay Advanced Technologies, LLC**

1715 East Newport Circle Santa Ana, CA 92705, U.S.A.  
TEL: +1 657 622 2060 FAX: +1 657 622 2070 


## USA

**Provoast Automation**

1171 N. Red Gum Street Anaheim, CA 92806, U.S.A.  
TEL: +1 714 996 9417 FAX: +1 714 996 9418 


## USA

**Bay Advanced Technologies, LLC**

8100 Central Avenue Newark, CA 94560-3449, U.S.A.  
TEL: +1 510 857 0900 FAX: +1 510 857 1400 


## USA

**EASTERN INDUSTRIAL AUTOMATION**

7096 South Willow Street Manchester, NH 03103, U.S.A.  
TEL: +1 603 645 6885 FAX: +1 603 668 1451 


## USA

**INDUSTRIAL AUTOMATION & MOTION INC.**

4530 William Penn Highway #395 Murrysville, PA 15668, U.S.A.  
TEL: +1 412 965 9956 FAX: +1 412 245 1509 


## USA

**NORTHEAST MOTION, INC.**

20 Thurber Blvd. Unit #C Smithfield, RI 02917, U.S.A.  
TEL: +1 401 231 4441 FAX: +1 401 231 6785 


## USA

**CPU AUTOMATION**

164 Westford Road, Unit 3 Tyngsboro, MA 01879, U.S.A.  
TEL: +1 978 226 1633 FAX: +1 978 226 1634 


## USA

**SADDLE BROOK CONTROLS**

PO BOX 881 280 N Midland Avenue Saddle Brook, NJ 07663, U.S.A.  
TEL: +1 201 794 9588 


## USA

**DELTA SIGMA AUTOMATION**

2125 Barrett Park Dr. Suite 110 Kennesaw, GA 30144, U.S.A.  
TEL: +1 770 975 3992 FAX: +1 770 874 0087 

## USA

**CAROLINA MOTION CONTROLS, INC.**

1200 Woodruff Road, Suite H27 Greenville, SC 29607, U.S.A.  
TEL: +1 864 458 9988 FAX: +1 864 288 2190 

## USA


**INT'L POWER ASSOCIATION**

7940 Silverton Avenue, #105 San Diego, CA 92126, U.S.A.  
TEL: +1 858 271 5996 




**USA**

**GJ Associates, Inc.**

11 Shepherd Hill Road Bedford, NH 03110, U.S.A.  
TEL: +1 603 644 3677 FAX: +1 978 461 0155 

**USA**

**Baldwin Technologies**

4801 Telsa Dr., Suite G Bowie, MD 20715, U.S.A.  
TEL: +1 301 860 1930 FAX: +1 301 860 1937 


**USA**

**Power Support Engineering, Inc.**

18932 Adams Country Way Lutz, FL 33559, U.S.A.  
TEL: +1 813 909 1199 

**USA**

**Carlton-Bates Company**

3600 W 69th Street, Little Rock, Arkansas 72209, U.S.A.  
Please see other locations at:  
<https://www.carltonbates.com/resources/branch-locator>  
TEL: +1 866 600 6040 

**USA**

**IRI West LLC**

810 Hesters Crossing Road, Suite 200, Round Rock, TX 78681, U.S.A.  
TEL: +1 512 343 1199 


**USA**

**Tiger Electronics, Inc**

352 Park Street, Suite 102, North Reading, MA 01864, U.S.A.  
TEL: +1 978 276 0325 


**USA**

**JBS USA, Inc.**

1899 Western Way Suite 320 Torrance, CA 90501, U.S.A.  
TEL: +1 310 328 7200 FAX: +1 310 328 7400 


**USA**

**Wavetech Associates Inc.**

300 South Summit Ave Hackensack, NJ 07601, U.S.A.  
TEL: +1 201 525 0200 FAX: +1 201 525 1746 


**USA**

**Professional Power Solution**

1118 Colonial Lane San Jose, CA 95132, U.S.A.  
TEL: +1 408 923 2275 FAX: +1 408 923 2278 


**USA**

**CoreStaff America Inc**

111 W St. John Street, Ste 500 San Jose, CA 95113, U.S.A.  
TEL: +1 408 606 2609 FAX: +1 408 606 2835 

**USA**

**Kramer Datapower, Inc**

2829 Perry Street, Suite 216 Madison, WI 53713, U.S.A.  
TEL: +1 608 819 8010 FAX: +1 608 531 8842 

**VIETNAM**

**QuadRep Representative Office (HCM)**

No.88/4, Street No.18, Hiep Binh Chanh Ward, Thu Duc District, Ho Chi Minh City, Vietnam  
TEL: +84 8 3726 2981 FAX: +84 8 3726 2985   

**VIETNAM**

**QuadRep Representative Office (Hanoi)**

No 699, Ngo Gia Tu Str, Long Bien District, Hanoi City, Vietnam  
TEL: +84 9 3648 4282   

**VIETNAM**

**DAI PHU CAT TRADING & SERVICE CO., LTD.**

Block A1 #05-09 (A1-05.09), 346 Ben Van Don, Ward 1, Dist.4, Ho Chi Minh City, Vietnam  
TEL: +84 8 3636 8733 FAX: +84 8 3636 8722   

**VIETNAM**

**KAMOGAWA VIETNAM CO., LTD. (Hanoi)**

Unit 12, Plot P-7, Thang Long ApartmentFactory 2, Thang LongIP, Dong Anh Dist, Hanoi City, Vietnam  
TEL: +84 24 3785 5022 FAX: +84 24 3785 5023  

**VIETNAM**

**KAMOGAWA VIETNAM CO., LTD. (HCM)**

5th Floor, Loyal Building, 151-151 bis Vo Thi Sau Street, Ward 6, District 3, Ho Chi Minh City, Vietnam  
TEL: +84 28 3910 5477 FAX: +84 29 3910 5480  

*Delivered Fast and On-Time!*

# Short Lead Time Service




**DC Fan**

**ACDC Fan**

**ACDC Fan Set Models**



The service applicable products are indicated by the  mark in individual product pages and model number index pages.  
The service is applicable to all ACDC Fan set models.

**AC Fan**

**AC Fan Set Models**



The service is applicable to all AC Fan models (including set orders) and all fan options.

- Option**
- Finger guards
  - Inlet nozzle
  - EMC guards
  - Resin finger guards
  - Resin filter kits
  - Replacement filter
  - Filter kits
  - Screen kits
  - Plug cord




Please contact your point of sale for details.

- Ideal fan sizes selected for various control panels, automated machines, and power supply units.
- You can purchase everything necessary in one order without the need for searching for the fan peripherals. It makes fan replacements easy.
- Delivered in one package, it simplifies storage and maintenance.


**Set configuration items**

**Fan**  
 +  
**Finger guards**  
 +  
**Plug cord**  
 +  
**Screws**  
 (with flat washer and spring washer)  
 +  
**Hex nuts**  
 +  
**Instruction manual**



**One order includes everything needed for operation.**

➔



\*Package image

Plug cords are compliant with Electrical Appliance and Material Safety Law, but not UL/CSA certified.



## ■Eco Products

SANYO DENKI's ECO PRODUCTS are designed with the concept of lessening impact on the environment in the process from product development to waste. The product units and packaging materials are designed for reduced environmental impact. We have established our own assessment criteria on the environmental impacts applicable to all processes, ranging from design to manufacture. Those products that satisfy the criteria are accredited as ECO PRODUCTS.

<https://www.sanyodenki.com>

### **SANYO DENKI CO., LTD.**

3-33-1 Minami-Otsuka, Toshima-ku, Tokyo 170-8451, Japan

TEL: +81 3 5927 1020

#### **Singapore Branch**

988 Toa Payoh North, #04-08, Singapore 319002

TEL: +65 6223 1071

#### **Jakarta Representative Office**

Summitmas II 4th Floor, Jl. Jend. Sudirman Kav.61-62, Jakarta 12190, Indonesia

TEL: + 62 21 252 3202

### **SANYO DENKI EUROPE SA.**

P.A. PARIS NORD II, 48 Allée des Erables-VILLEPINTE, BP 57286, F-95958 ROISSY CDG CEDEX, France

TEL: +33 1 48 63 26 61

#### **Poland Branch**

ul. Wodociągowa 56 30-205 Kraków, Polska

TEL: +48 12 427 30 73

### **SANYO DENKI AMERICA, INC.**

468 Amapola Avenue Torrance, CA 90501, U.S.A.

TEL: +1 310 783 5400

### **SANYO DENKI SHANGHAI CO., LTD.**

Room 2106-2110, Bldg A, Far East International Plaza, No.319, Xianxia Road, Shanghai, 200051, China

TEL: +86 21 6235 1107

### **SANYO DENKI (H.K.) CO., LIMITED**

Room 2305, 23/F, South Tower, Concordia Plaza, 1 Science Museum Road, TST East, Kowloon, Hong Kong

TEL: +852 2312 6250

### **SANYO DENKI TAIWAN CO., LTD.**

N-711, 7F, Chia Hsin 2nd Bldg., No.96, Sec.2, Zhongshan N. Rd., Taipei 10449, Taiwan

TEL: +886 2 2511 3938

### **SANYO DENKI GERMANY GmbH**

Frankfurter Strasse 80-82, 65760 Eschborn, Germany

TEL: +49 6196 76113 0

### **SANYO DENKI KOREA CO., LTD.**

15F, KDB Building, 372, Hangang-daero, Yongsan-gu, Seoul, 04323, Korea

TEL: +82 2 773 5623

#### **Busan Branch**

8F, CJ Korea Express Building, 119, Daegyo-ro, Jung-gu, Busan, 48943, Korea

TEL: +82 51 796 5151

### **SANYO DENKI (Shenzhen) CO., LTD.**

02-11 2/F, Shenzhen International Chamber of Commerce Tower, No.168 Fuhua 3 Road, Futian District, Shenzhen, 518048, Guangdong, China

TEL: +86 755 3337 3868

#### **Chengdu Branch**

Room2105B, Block A, Times Plaza, 2 Zongfu Road, Jinjiang District, Chengdu, 610016 China

TEL: +86 28 8661 6901

### **SANYO DENKI (THAILAND) CO., LTD.**

388 Exchange Tower, 25th Floor, Unit 2501-1, Sukhumvit Road, Klongtoey, Klongtoey, Bangkok 10110 Thailand

TEL: +66 2261 8670

### **SANYO DENKI INDIA PRIVATE LIMITED**

#14 (Old No.6/3), Avenue Road, Nungambakkam, Chennai - 600034, Tamil Nadu, India

TEL: +91 44 420 384 72

### **SANYO DENKI (Tianjin) CO., LTD.**

Room AB 16th Floor TEDA Building, No. 256 Jie Fang Nan Road, Hexi District, Tianjin 300042 China

TEL: +86 22 2320 1186

#### **Beijing Branch**

Room1807, Gaohe Lanfeng Building, No.98 East Third Ring South Road, Chaoyang District, Beijing 100122 China

TEL: +86 10 5861 1508

The names of companies and/or their products specified in this catalog are the trade names, and/or trademarks and/or registered trademarks of such respective companies. "San Ace" is a trademark of SANYO DENKI CO., LTD.

Specifications are subject to change without notice.

CATALOG No.C1097B001 '20.1.IT