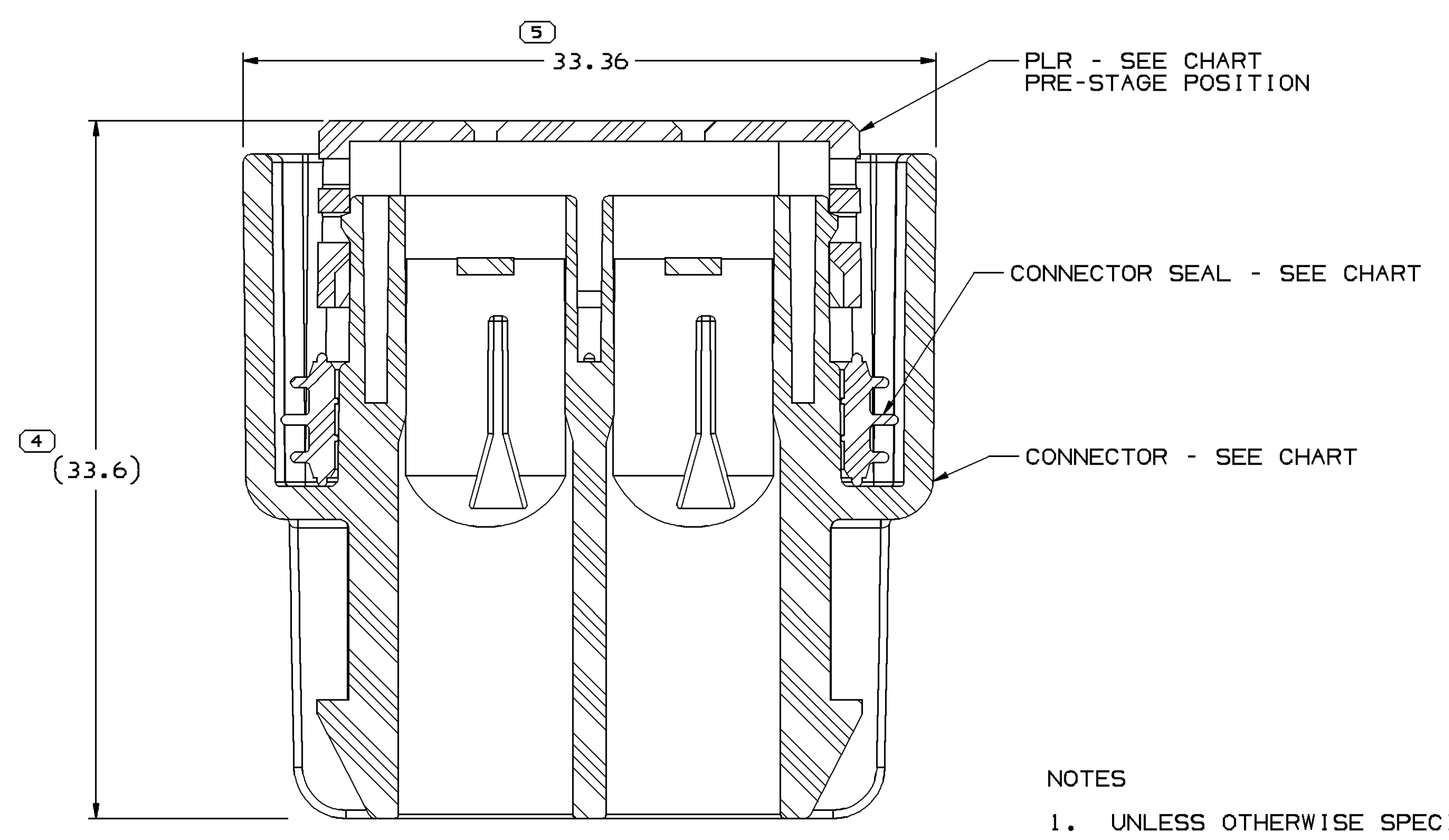
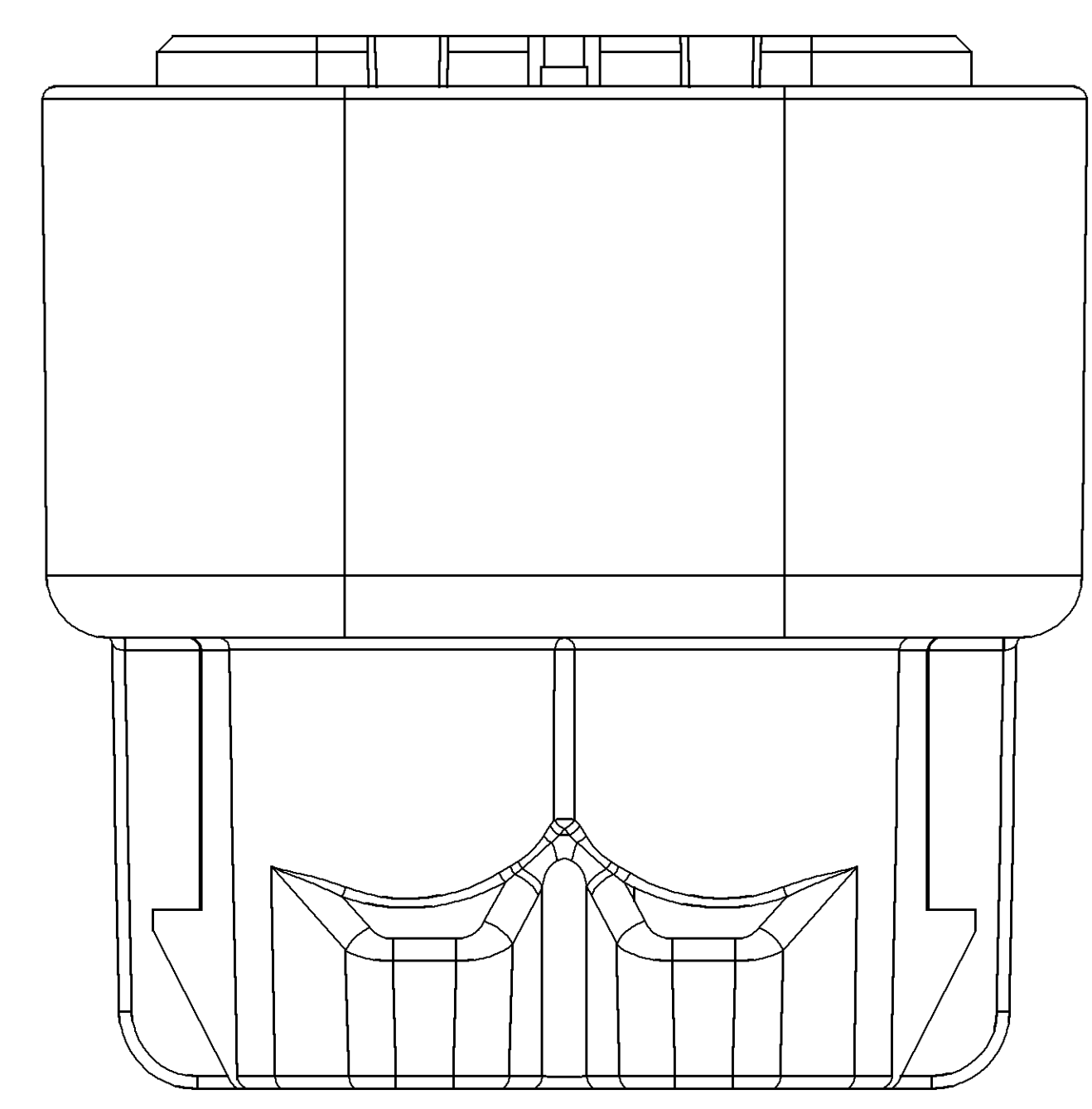
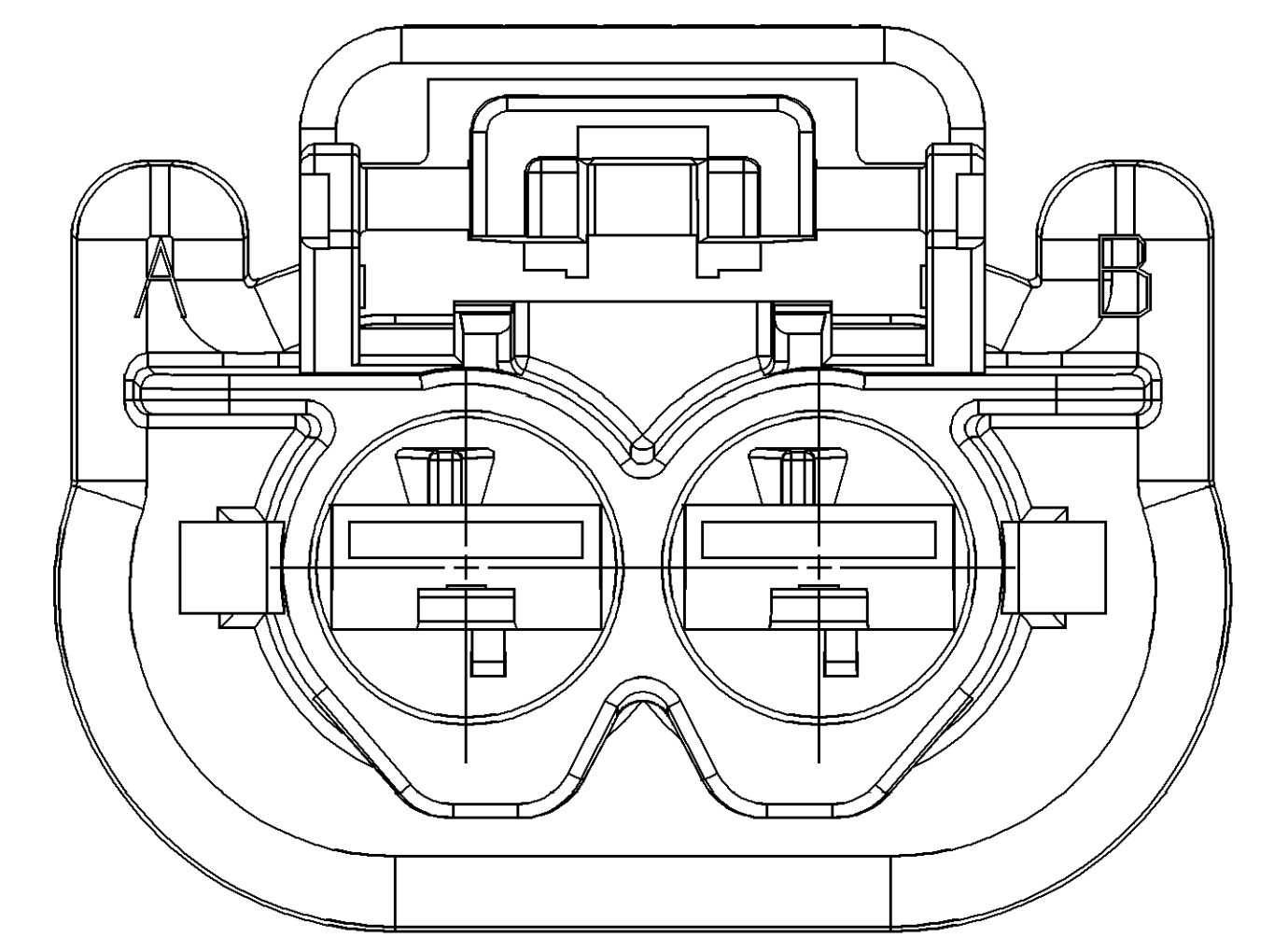
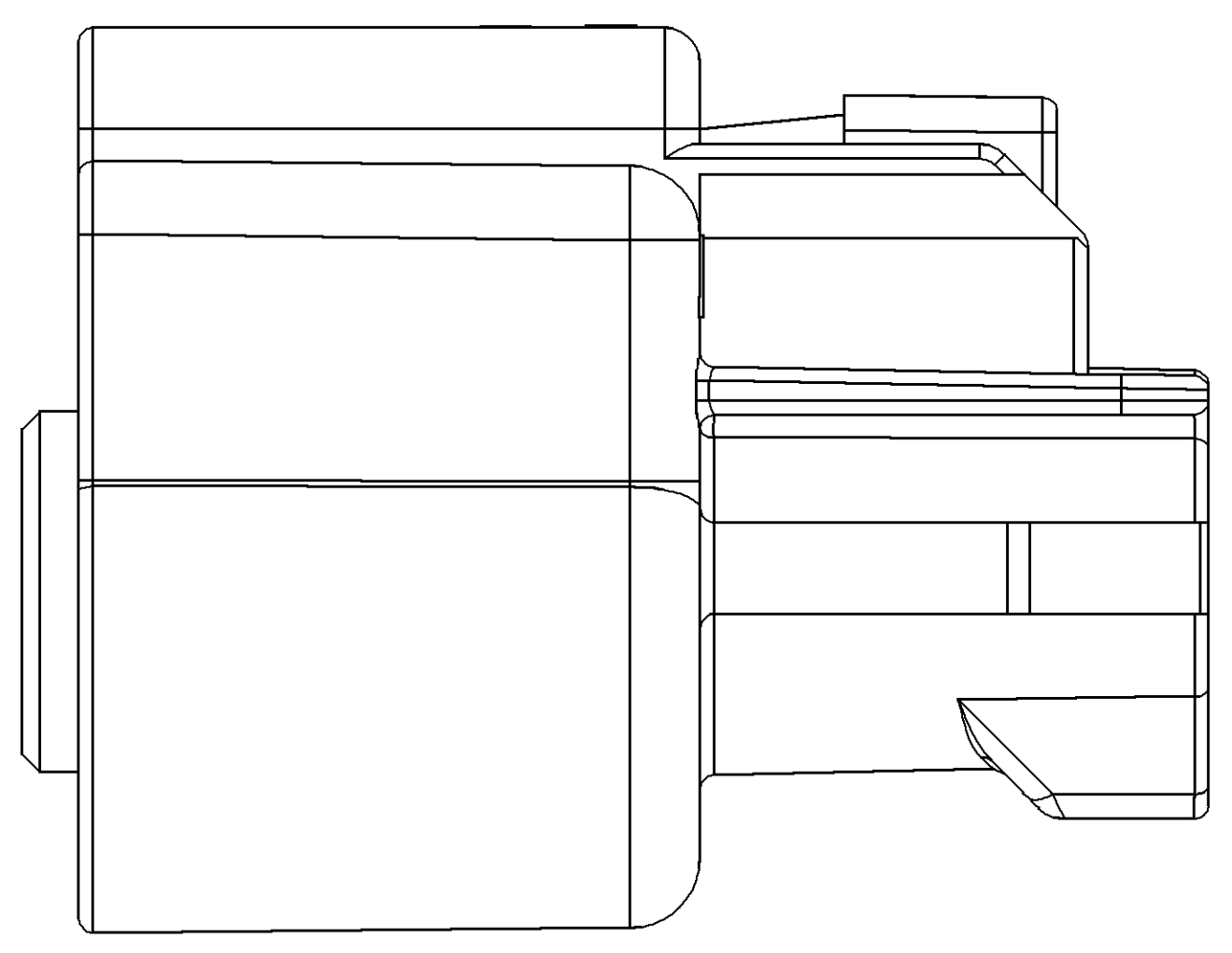
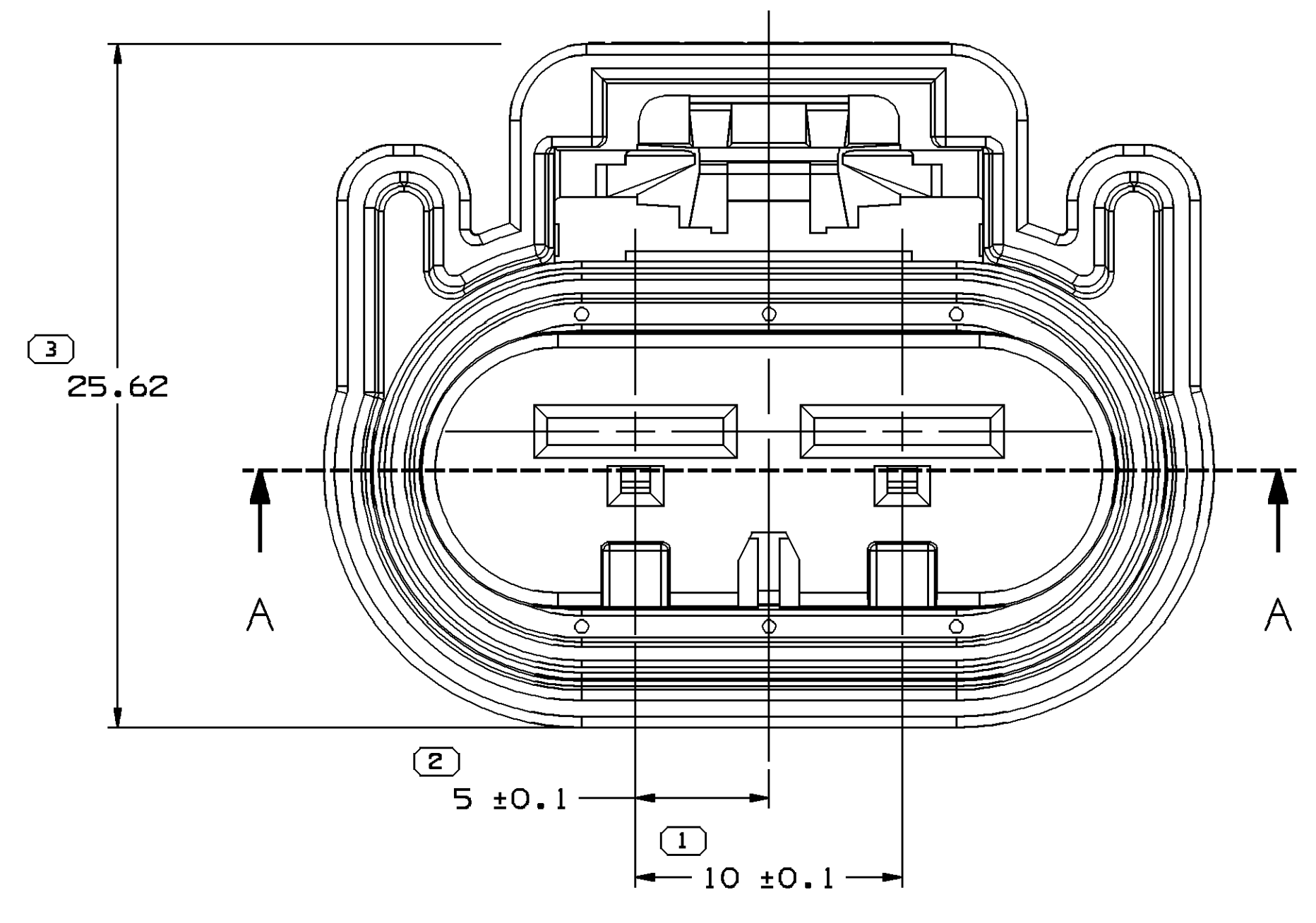
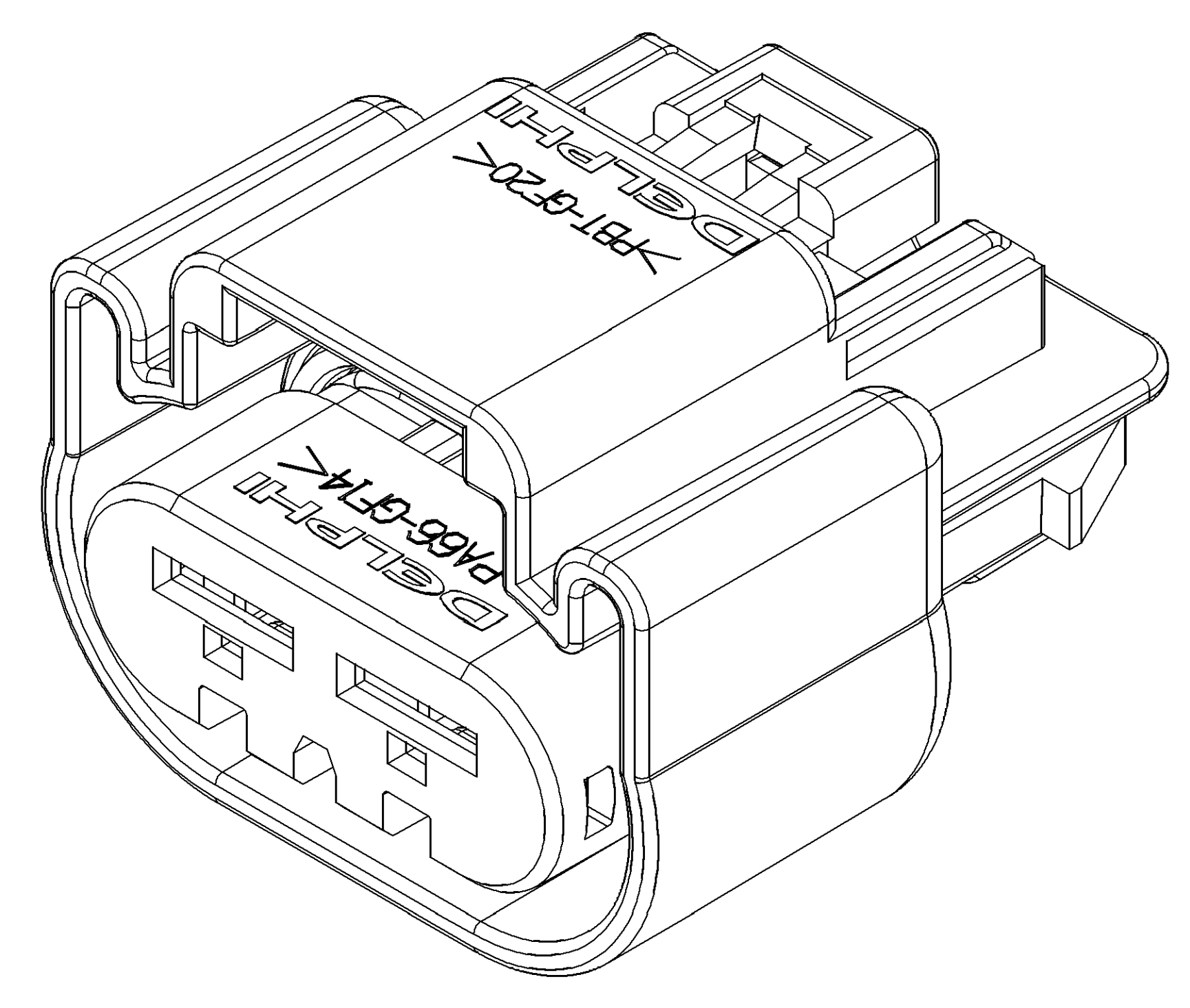
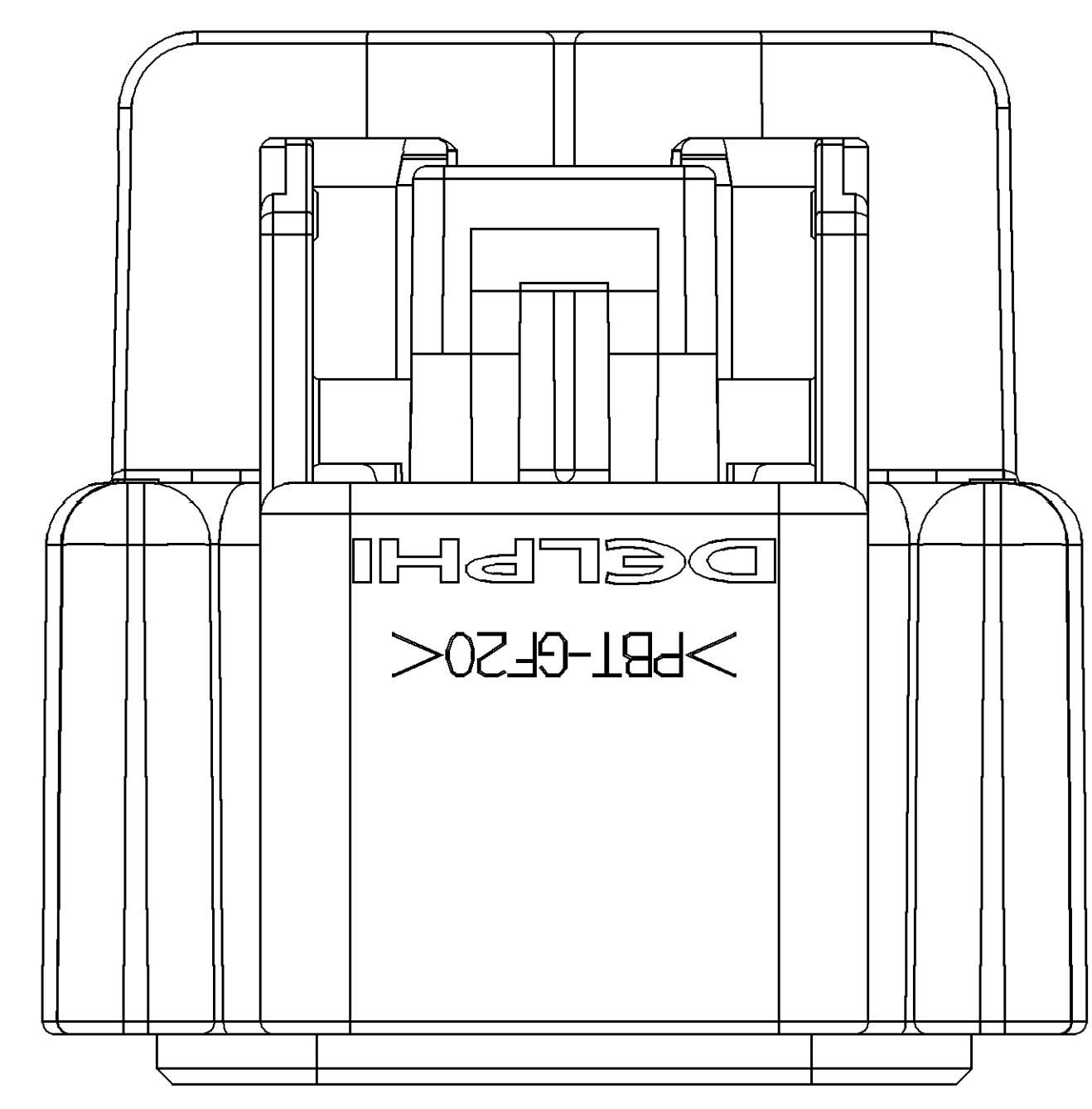


SYMBOL DEFINITION		TOTAL NO OF INSPECTIONS REQUIRED	MISSING SYMBOLS
A DIMENSION WITHOUT AN INSPECTION REPORT SYMBOL DOES NOT REQUIRE INSPECTION. IT MAY BE CONTROLLED ON THE INDIVIDUAL COMPONENT DRAWING.		5	NO MISSING SYMBOL NUMBER
	LAST NO. USED	5	

DWG STATUS				REVISION HISTORY				AUTH		
DATE	STG	REV	N/P	CHG	ZONE				DR	AP/VD
31JA03	R	01	-	-		PART DRAWING CREATED	236432	LMB	LMB	EJH
25JL03	R	02	-	-		UPDATED ASSEMBLY	243926	FRG	FRG	EJH
02JN05	R	02	AA	-		ADDED NOTES 3 & 4	268709	DAD	DAD	BER
05OC06	R	02	AB	-		ADDED CPA 15317832 TO NOTE 4	284948	MM	MM	BER
30OC06	R	02	AC	-		ADDED CABLE SEAL 15324989 TO NOTE #4	286291	JS	JS	BER



SECTION A - A

- NOTES
- UNLESS OTHERWISE SPECIFIED AND/OR INDICATED: DIMENSIONS ARE TO FACE OF VIEW SHOWN AND AUTOMATICALLY ROUNDED BY COMPUTER FOR INSPECTION (SEE MATH MODEL FOR PRECISE DIMENSIONS). FOR ALL OTHER DIMENSIONS NOT SHOWN BUT REQUIRED FOR TOOL BUILD, SEE MATH MODEL FOR PRECISE TOOL PATH DATA.
  - FOR MATING CONFIGURATION REQUIREMENTS SEE DRAWING 15460099.
  - CONNECTOR ENGAGE FORCE GREATER THAN 75N.
  - THIS PART ACCEPTS THE FOLLOWING COMPONENTS OR EQUIVALENT:
    - TERMINAL 15455571
    - SECONDARY LOCK 15454362
    - CPA 15317832
    - CABLE SEAL 15324989

PART NO	CONN	PLR	SEAL
15454358	15454359	15454361	15454360

DWG TYPE PART DRAWING		DATE	
STYLE	D	DR	LOUIS M. BASKIN
VOLUME 10/1	DISTR CODE	AP/VD1	LOUIS M. BASKIN
		AP/VD2	LOUIS M. BASKIN
		AP/VD3	ERIC J. HAROLDSON
		AP/VD4	
		AP/VD5	
UNLESS OTHERWISE SPECIFIED THIS DOCUMENT IS IN ACCORDANCE WITH ASME Y14.5M-1994 AS MODIFIED BY THE IN-SUPPLY DIMENSIONING PRACTICES ADDENDUM. SEPARATE MATINGS OR FEATURES MAY BE BASED SEPARATELY PER RELEASE OF DRAWING REFERENCES.		SUBSTANCES OF CONCERN AND RECYCLED CONTENT PER DELPHI 10949001	
ALL DIMENSIONS ARE IN MILLIMETERS		DRAWING NAME	
REFERENCE		ASM CONN 2 F GT 630 BLK SLD	
THIRD ANGLE PROJECTION		DRAWING NUMBER	
DO NOT SCALE		15454358	
USE MATH DATA		SIZE A0	
SCALE 5:1		FRAME NO 1 OF 1	
		SHEET NO 1 OF 1	
		STG REV N/P	
		R 02 AC	

**DELPHI**  
DELPHI PACKARD ELECTRIC SYSTEMS  
WARREN, OH

DR	LOUIS M. BASKIN	DATE	31JA03
AP/VD1	LOUIS M. BASKIN		31JA03
AP/VD2	LOUIS M. BASKIN		31JA03
AP/VD3	ERIC J. HAROLDSON		07FE03
AP/VD4			
AP/VD5			

SCALE 5:1  
FRAME NO 1 OF 1  
SHEET NO 1 OF 1  
STG REV N/P R 02 AC

# Mouser Electronics

Authorized Distributor

Click to View Pricing, Inventory, Delivery & Lifecycle Information:

[Aptiv:](#)

[15454358](#)