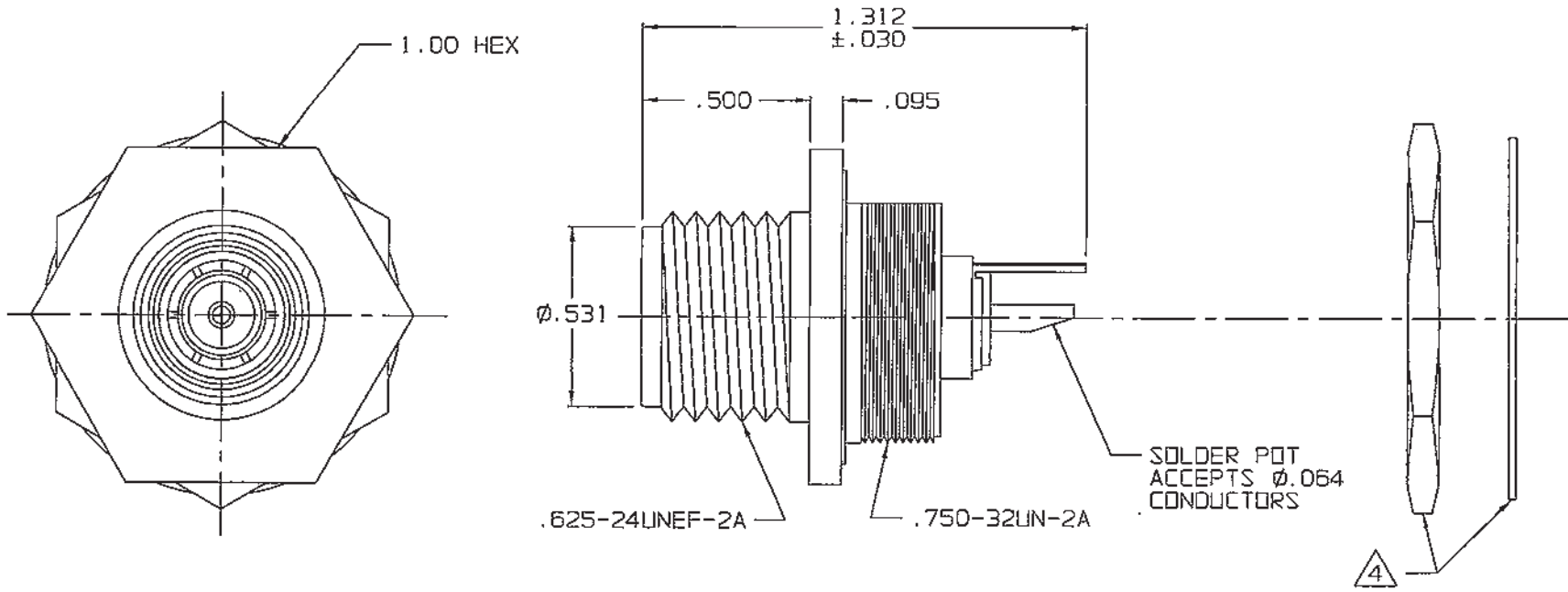


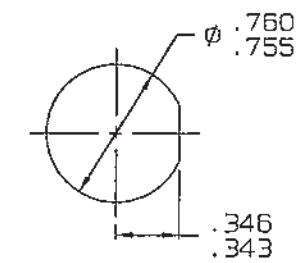
RED INDICATES ORIGINAL

DATA CONTAINED IN THIS DOCUMENT IS PROPRIETARY TO TROMPETER ELECTRONICS INC. AND SHALL NOT BE DISCLOSED, COPIED OR USED FOR PROCUREMENT OR MANUFACTURE WITHOUT EXPRESS WRITTEN PERMISSION OF TROMPETER ELECTRONICS INC.


REVISIONS		3-0056	SH 1
REV	DESCRIPTION	DATE	APPROVED
C	REVISED PER ECO 15788	3-16-05	BS



- 4 MOUNTING HARDWARE SUPPLIED LOOSE
- 3. MAXIMUM PANEL THICKNESS .133
- 2. FINISH; BODY: TFS-1U (NICKEL)
INNER SHIELD: TFS-1B (GOLD)
CONTACT: TFS-1B (GOLD)
- 1. TRN STYLE TWINAX/TRIAX FRONT BULKHEAD
MOUNT THREADED SOLDER POT RECEPTACLE



RECOMMENDED
PANEL CUT-OUT
SCALE: 1/1

<small>INTERPRET DRAWING PER MIL-STD-100 DIMENSIONS ARE IN INCHES AND INCLUDE FINISH THICKNESS UNLESS OTHERWISE SPECIFIED</small>		<small>ID.: UNLESS SPECIFIED .XX .XXX ±.005 .XXX ANGLE</small>				
<small>DRAWN</small> AAH	<small>DATE</small> 3-8-05	<small>MATERIAL:</small>	<small>TITLE:</small> BJ380			
<small>CHECKED</small> T. K...	<small>DATE</small> 3-8-05	<small>FINISH:</small>	<small>SIZE</small> A	<small>CAGE CODE</small> 14949	<small>DRAWING NO.</small> 3-0056	<small>REV.</small> C
<small>APPROVED</small> BS	<small>DATE</small> 3/16/05	<small>DO NOT SCALE DWG</small>	<small>SCALE</small> 2/1	<small>DATE:</small> 12-22-83	<small>SHEET</small> 1C	

NEXT ASSY

CAD FILE NO. 3-0056C

Mouser Electronics

Authorized Distributor

Click to View Pricing, Inventory, Delivery & Lifecycle Information:

[Cinch Connectivity Solutions:](#)

[BJ380](#)